

EPSON

LQ-580

Page No.:1

REF	PART NO	DESCRIPTION	SPEC	QTY
100	1050322	HOUSING ASSY.,LOWER		1
101	1004605	FOOT		2
102	1050323	HOUSING ASSY.,UPPER		1
104	1050320	COVER ASSY.,PRINTER		1
105	1039434	WING		1
106	1050324	SHEET GUIDE ASSY.,REAR		1
107	1053455	COVER ASSY.,FRONT		1
108	1039337	KNOB		1
109	1050234	SHIELD PLATE, UPPER		1
110	1050235	SHIELD PLATE; B		1
111	1050233	SHIELD PLATE		1
112	1005480	GROUNDING PLATE		4
115	1037223	COVER,CONNECTOR,UPPER	ECW	1
116	1050236	MOUNT, HOUSING		1
117	1039408	GUIDE,I/F BOARD;B;W	ECW	1
120	1053119	LOGO PLATE;B		1
122	1073114	C.B.(O) SCREW 4X8 F/ZG(B045800115)	M4X8 F/ZG	1
123	1073165	C.B.S. SCREW(B300204211)	M3X6	3
124	1004527	C.P.SCREW(B010109511)	M3X4	2
125	1073162	C.B.S. SCREW(B300200111)	M3X4	7
126	1024145	C.B.P.SCREW,4X12,F/ZN		3
127	1003164	C.B.P-TITE SCREW,3X12,F/ZN		11
128	1002674	C.B.S-TITE SCREW	M3X12	2
130	1053456	PAPER GUIDE ASSY.,FRONT		1
132	1036516	GROUNDING PLATE,I/F		1
133	1011863	GROUNDING PLATE,I/F,UPPER		1
135	1052251	FERRITE CORE,FPC-25-12		1
137	1037280	GROUNDING PLATE,BOTTOM		1
140	1025409	PRINTER MECH. MOUNTING SCREW		4
141	1050231	EDGE GUIDE, FRONT		1
142	1050237	GROUNDING PLATE; B		1
143	1076213	HEXAGON NUT(B070200411)	M4	1
144	1073171	C.B.S. SCREW(B300204311)	M3X8	2
145	1053865	SHEET,PROTECT		1
200	2034193	BOARD ASSY.,MAIN	5607B,EUROPE	1
300	2033291	BOARD ASSY.,POWER SUPPLY	5609A,STANDARD	1
372	2033181	HARNESS		1
400	2006741	POWER CABLE,BS31093A-SR,10A	240V	1
401	2018028	HARNESS	220V/230V/240V	1
450	1050321	HOUSING ASSY.,PANEL		1
451	1051396	SHEET,PANEL		1
500	2034257	PRINTER MECH.(ASP)M-5T10-100		1
501	1050315	FRAME ASSY.,RIGHT		1
502	1050316	FRAME ASSY.,LEFT		1
503	2032821	MOTOR, CR		1
504	1056673	RD ASSY.		1
505	1025335	BASE RUBBER		4
506	1053863	STOPPER,LEFT		1
507	1053864	STOPPER,RIGHT		1
511	2032831	MOTOR, PF		1
521	2025898	HARNESS,PG		1
522	2004004	DETECTOR,HP		1
523	2025264	HARNESS,HP		1
524	2014328	CONNECTOR SWITCH;B		2
525	1039435	PAPER GUIDE		1
526	1005157	SHAFT,RELEASE		1
527	2025262	HARNESS,PE,FRONT		1
528	2025263	HARNESS,PE,REAR		1
529	2025897	HARNESS,RE		1
530	2019011	DETECTOR,PE,FRONT	0V,0A,0W,	1
531	1005727	DETECTOR ASSY., REAR		1
532	1005213	ROLLER,PF,DRIVEN,LOWER		3
533	1005282	ROLLER ASSY.,PF		3
534	1005215	EXTENSION SPRING,70		3
535	1005214	COMPRESSION SPRING,1000		3
536	1053642	CARRIAGE SUB ASSY.		1
537	1008704	SLIDER,CR		1

EPSON

LQ-580

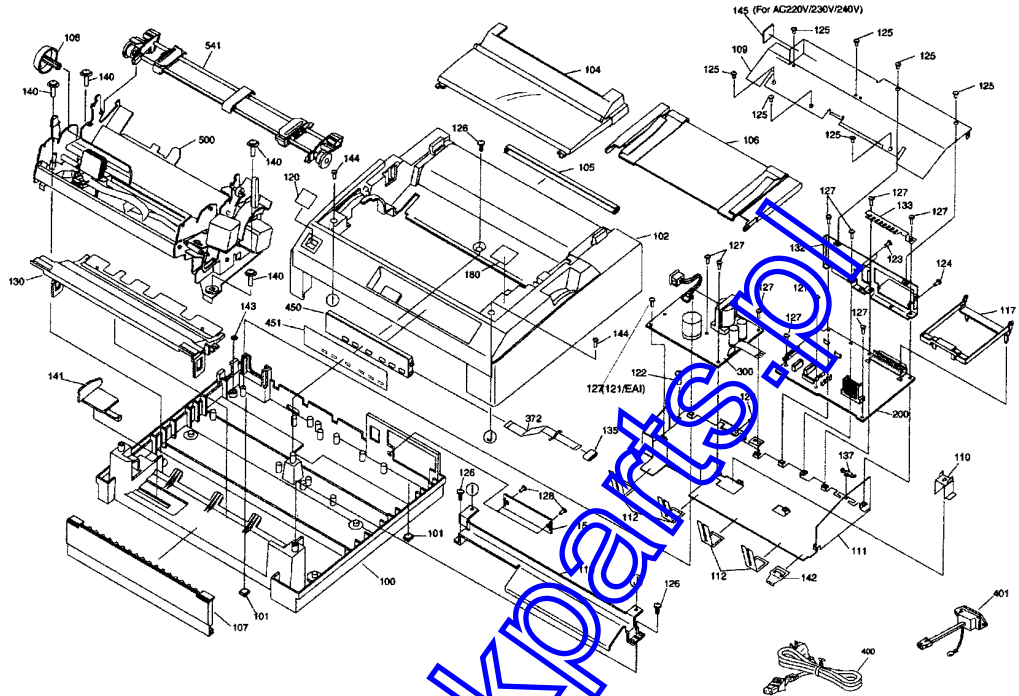
Page No.:2

REF	PART NO	DESCRIPTION	SPEC	QTY
541	1040231	TRACTOR ASS'Y;W		1
542	1039341	TRACTOR,LEFT;W	ECW	1
543	1039342	TRACTOR,RIGHT;W	ECW	1
544	1036500	SHAFT,TR,DRIVE		1
545	1005164	SHAFT,TR,GUIDE		1
546	1039351	FRAME,TR,LEFT;W		1
547	1039352	FRAME,TR,RIGHT;W		1
548	1039353	LEVER,TR,LEFT;W		1
549	1039354	LEVER,TR,RIGHT;W		1
550	1025296	PAPER SUPPORT		1
551	1039507	SPUR GEAR,20		2
552	1074768	RETAINING RING(B150300911)	TYPE-E(6)	2
556	1050319	PAPER EJECT ASSY.		1
557	1073165	C.B.S. SCREW(B300204211)	M3X6	2
558	2018129	FERRITE CORE		1
559	2032828	CABLE, HEAD, UPPER		1
560	2032829	CABLE, HEAD, LOWER		1
568	1005176	HOLDER,CABLE,HEAD		1
569	1054010	ROLLER ASSY.,DRIVE		1
570	1050482	PLATEN;B		1
571	1025355	BUSHING,8,LEFT		1
572	1025285	BUSHING,8,RIGHT		1
573	1051975	COVER,PLATEN		1
575	1052119	RIBBON MASK		1
576	1014600	PAPER GUIDE ASSY.,SUPPORT		1
577	1039973	GROUNDING WIRE,PLATEN		1
578	1050387	FRAME,REAR		1
579	1050211	FRAME, FRONT		1
580	1050212	FRAME, SUB, RIGHT		1
582	1008698	SHAFT,CR,GUIDE		1
583	1039818	BUSHING,PARALLEL,ADJUST		1
584	1051019	LEVER,GAP,ADJUST		1
585	1039412	CAP,LEVER;W	ECW	1
586	1036501	GROUNDING PLATE,MECHA		2
587	1050216	MOUNTING PLATE, MOTOR		1
588	1050215	HOLDER, RIBBON MASK		1
589	1073525	OIL PAD(F334005140)		1
590	1050220	LEVER, RELEASE		1
591	1004635	C.B.SCREW(B010303311)	M3X6	2
593	1005222	COMBINATION GEAR,8,36		1
594	1005224	SPUR GEAR,27		1
595	1013093	SPUR GEAR,30		1
596	1032488	SPUR GEAR,20		1
597	1005227	SPUR GEAR,20		1
598	1005218	INTERNAL GEAR		1
599	1005186	EXTENSION SPRING,1056		1
600	1005201	EXTENSION SPRING,71		2
601	1005232	COMPRESSION SPRING,200		1
602	1031702	PLAIN WASH,2X18,F/B		1
603	1000972	C.B.S(P),(0) SCREW	M3X8	3
604	1005019	FLAT-TITE SCREW,3X8,F/ZN	M3X8 F/ZN	1
606	1076213	HEXAGON NUT(B070200411)	M4	1
607	1076264	PLAIN WASHER(B100166012)	8X0.5X15	2
608	1006653	C.B.SCREW(B010303411)	M3X8	1
609	1001275	C.B.SCREW(B010303511)	M3X10	1
610	1073171	C.B.S. SCREW(B300204311)	M3X8	11
613	1005416	SHAFT,MOUNT,CR		2
614	1009032	TOOTHED LOCK WASHER A	M 4.3X0.45X8.5	1
617	1076285	LEAF SPRING(B101253990)	8.2X0.25X15	1
618	1031612	SPUR GEAR,36		1
619	1074777	RETAINING RING(B160101412)	TYPE-C	3
620	1025323	LEVER,DETECTOR,PE,REAR		1
621	1025324	LEVER,PE,SUPPORT		1
622	1025325	TORSION SPRING,0.26		1
623	1039378	PLAIN WASHER,3X0.5X8,F/ZB		2
650	F070000	PRINT HEAD,DH24-0E0	24	1
END				

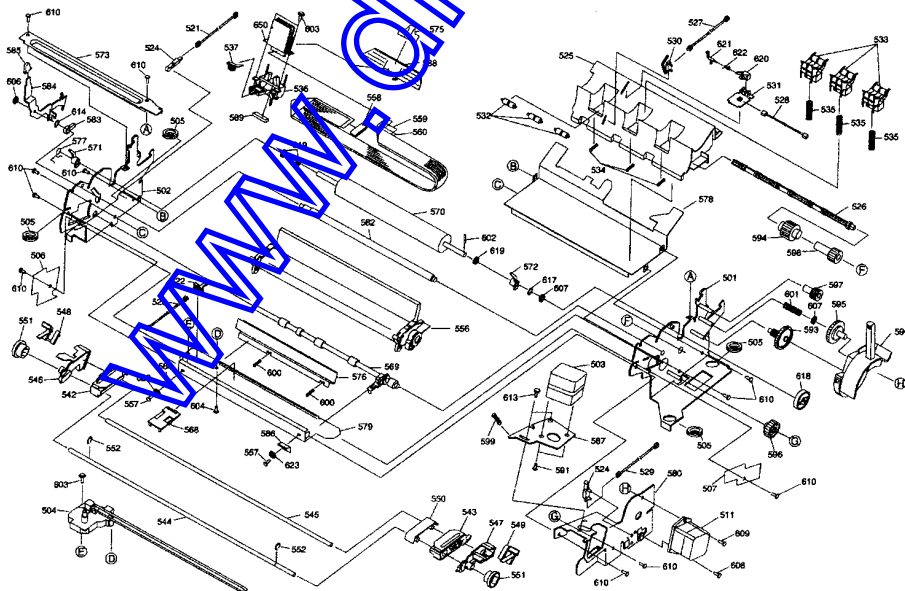
EPSON

LQ-580

Page No.:3



LQ-580 No.01



LQ-580 No.02

EPSON

LQ-580

Page No.:4

www.drukparts.pl