

## LQ300 (With supplement for optional Colour Up-grade Kit.)

REF	PART	DESC	QTY	STANDARD
100	1020252	HOUSING ASSY., LOWER	1	
101	1018196	INSULATOR	1	
102	1018197	INSULATOR	2	
103	1020193	SHIELD PLATE	1	
104	1020253	COVER ASSY., PRINTER	1	
105	1016265	ROLLER, DRIVEN	2	
106	1016266	HOLDER, ROLLER, DRIVEN	2	
107	1016268	COMPRESSION SPRING, 73	2	
108	1022015	COVER, ROLLER, DRIVEN	2	
109	1022361	EDGE GUIDE ASSY.	1	
110	1018199	HOUSING, UPPER	1	
111	1020194	SHEET, PANEL	1	
112	1020776	LOGO PLATE	1	
113	1018214	KNOB	1	
114	1018210	COVER, BOTTOM	1	
115	1018211	COVER, CONNECTOR, CS	1	
116	1018213	SHIELD PLATE, I/F	1	
117	1018297	GROUNDING PLATE	2	
118	1022056	LABEL, POSITION	1	
119	B070200411	HEXAGON NUT	1	M4
120	1006901	C.B.C-LAMITITE	1	
121	1018296	SHAFT, HOUSING, LOWER	3	
122	1015457	SHAFT, HOUSING, LOWER	1	
123	B045800115	C.B.(O) SCREW	1	M4X8
124	B310204311	C.B.B. SCREW	1	M3X8
125	B310204411	C.B.B. SCREW	1	M3X10
126	B310206411	C.B.B. SCREW	4	M4X12
127	1012989	C.B.USCA C	7	M3X8 F/ZN
128	1018287	JACK SOCKET EUROPE	2	
129	1019830	C.F.P-TITE SCREW, 2.6X8, F/ZN	2	
131	1012990	C.B.USCA C(S-P1)	1	M3X10 F/ZN
132	1019310	GUIDE, STACKER	2	
133	1019482	STACKER	1	
200	2014600	BOARD ASSY., MAIN (WITHOUT IC10)	1	FOR ALL COMPANIES
IC10	2015449	MASK ROM M40B42PS (ALL AMR/SETS)	1	4M BIT
IC1	2004441	MICROCONTROLLER	1	QFP 64
IC11	2007203	PS-RAM	1	SOP 256KB 100NS 28
IC2	2014639	GATE ARRAY E05B02EA	1	144 PIN
IC3	2013161	EEPROM	1	1K BIT,8 PIN
IC4	2012966	RS-232IC	1	
IC5	X422350069	TTL-IC	1	
IC6,IC7	2007915	RESET IC	2	8 PIN
IC8	2005274	HIC SMA7039M	1	
Q1	2007085	TRANSISTOR	1	60V 1.2A 1W 2000 12000
250	2012921	BOARD ASSY., I/F	1	
300	2012920	BOARD ASSY., POWER SUPPLY	1	FOR 220V/240V
401	2006741	POWER CABLE (BS31303SA-SR-10A)	1	240V
402	2010468	AC CABLE	1	240V
330	2012927	WIRE HARNESS	1	
410	2012930	POWER CABLE ASSY.	1	
411	2014029	POWER CABLE ASSY.	1	
412	2012926	WIRE HARNESS	1	
500	2016865	PRINTER MECHANISM, M-5M10-002	1	WITHOUT 558-575
501	1020200	FRAME, LEFT	1	
502	1021988	FRAME, RIGHT	1	
503	2014568	MOTOR, PF	1	
504	2014283	DETECTOR, LEAF, B1	3	0,0V,0A,

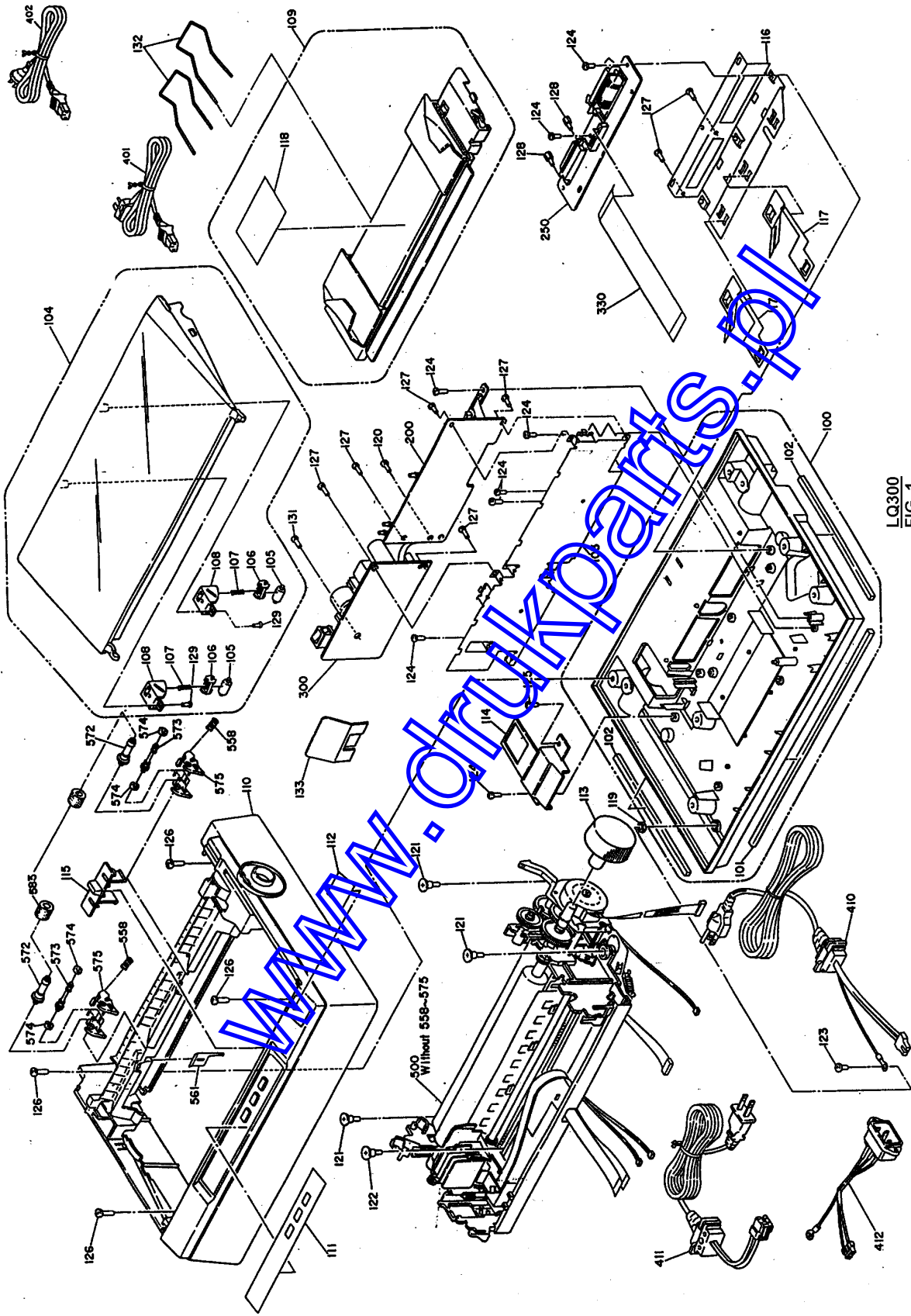
# EPSON

## LQ300

REF	PART	DESC	QTY	STANDARD
505	2014535	HARNES, TR	1	
506	1020202	LEVER, G, ADJUST	1	
507	1018168	COMPRESSION SPRING, 200	1	
508	F334005270	TRACTOR REDUCTION GEAR	1	
509	F353003080	PAPER FEED REDUCTION GEAR	1	
510	B310204311	C.B.B. SCREW	1	M3X8
511	B100153090	PLAIN WASHER	1	5.2X0.3X10
512	1018154	LEVER ASSY., PLANETARY	1	
513	1018174	PAPER GUIDE, UPPER	1	
514	1018175	ROLLER, PF, DRIVEN	4	
515	1018170	PAPER GUIDE, LOWER	1	
516	1018176	PAPER GUIDE, SUPPORT	1	
517	1020203	FRAME, BASE	1	
518	1018157	SPURGEAR, 13.2	1	
519	1018158	COMBINATIONGEAR, 5.1, 16.2	2	
520	1022466	RATCHET, RD	1	
521	1021987	COVER, RD	1	
522	F333051020	TIMING BELT	1	
523	1021949	EXTENSION SPRING, 8.98	1	
524	1018160	PULLEY ASSY., DRIVEN	1	
525	2014567	MOTOR, CR	1	
526	1015038	PULLEY, DRIVE	1	
527	F336051030	BELT PULLEY FLANGE	1	
528	F333051080	PLAIN WASHER	1	11.3X0.5X7
529	B150350111	RETAINING RING	2	TYPE-E(2.3)
530	1020197	CARRIAGE ASSY.	1	
531	1020204	GROUNDING PLATE, HEAD	1	
532	1020208	SHAFT ASSY., CR, GUIDE	1	
533	1018185	GROUNDING PLATE, SHAFT, CR	1	
534	1011120	OIL PAD	1	
535	2013199	DETECTOR, PE	1	0,0V,0A,
536	1018178	PLATEN	1	
537	1008995	BUSHING, 11	2	
538	B100166990	PLAIN WASHER	1	11.3X0.5X16.5
539	B150301111	RETAINING RING	2	TYPE-E(8)
540	1008637	U-TYPE, 11.2X0.13X16.5	1	
541	1018191	GROUNDING WIRE, PLATEN	1	
542	2014565	CABLE, HEAD, REAR	1	
543	1020210	SHEET, CABLE, REAR	1	
544	1018248	RIBBON MASK	1	
545	2014534	HARNES, REAR	1	
546	2014536	HARNES, FRONT	1	
547	2014564	CABLE, HEAD, FRONT	1	
548	2014566	HARNES, FRONT	1	
549	1021960	HEAT INSULATOR	1	
550	1020211	SHEET, FRAME, BASE	1	
551	1018169	LEVER, DISENGAGE	1	
552	1012841	BUSHING, PARALLEL, ADJUST	2	
553	1018172	SHAFT, FRICTION	1	
554	1021543	GEAR, 34	1	
555	1018179	SPUR GEAR, 25	1	
556	B310104611	C.P.B SCREW	1	M3X14
557	1021950	COMPRESSION SPRING, 14.2	2	
558	1016186	COMPRESSION SPRING, 500	2	
559	1018193	DAMPER	3	
560	1019480	DAMPER, BASE	1	
561	1019481	SHEET, PE DETECTOR	1	

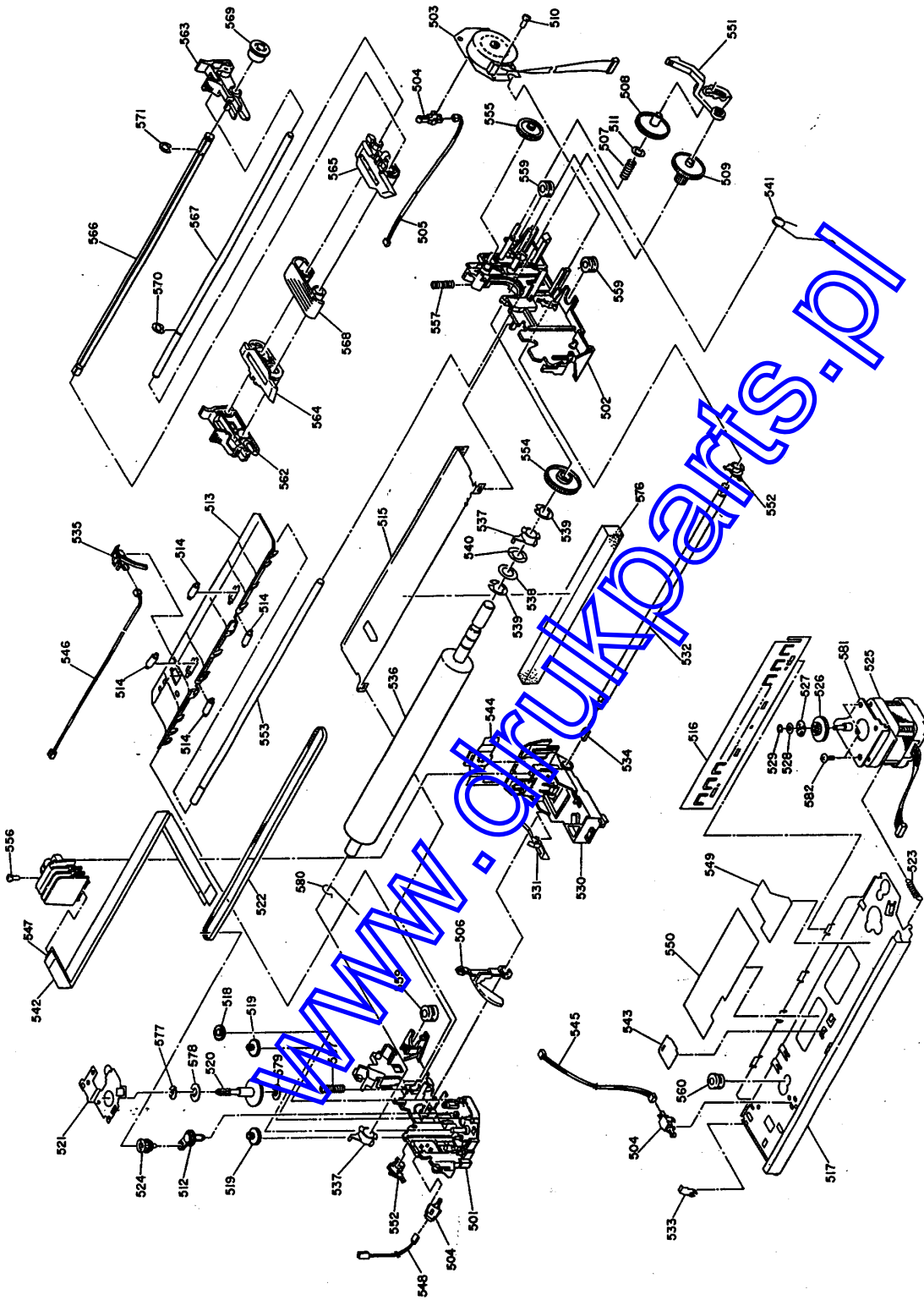


# EPSON LQ300



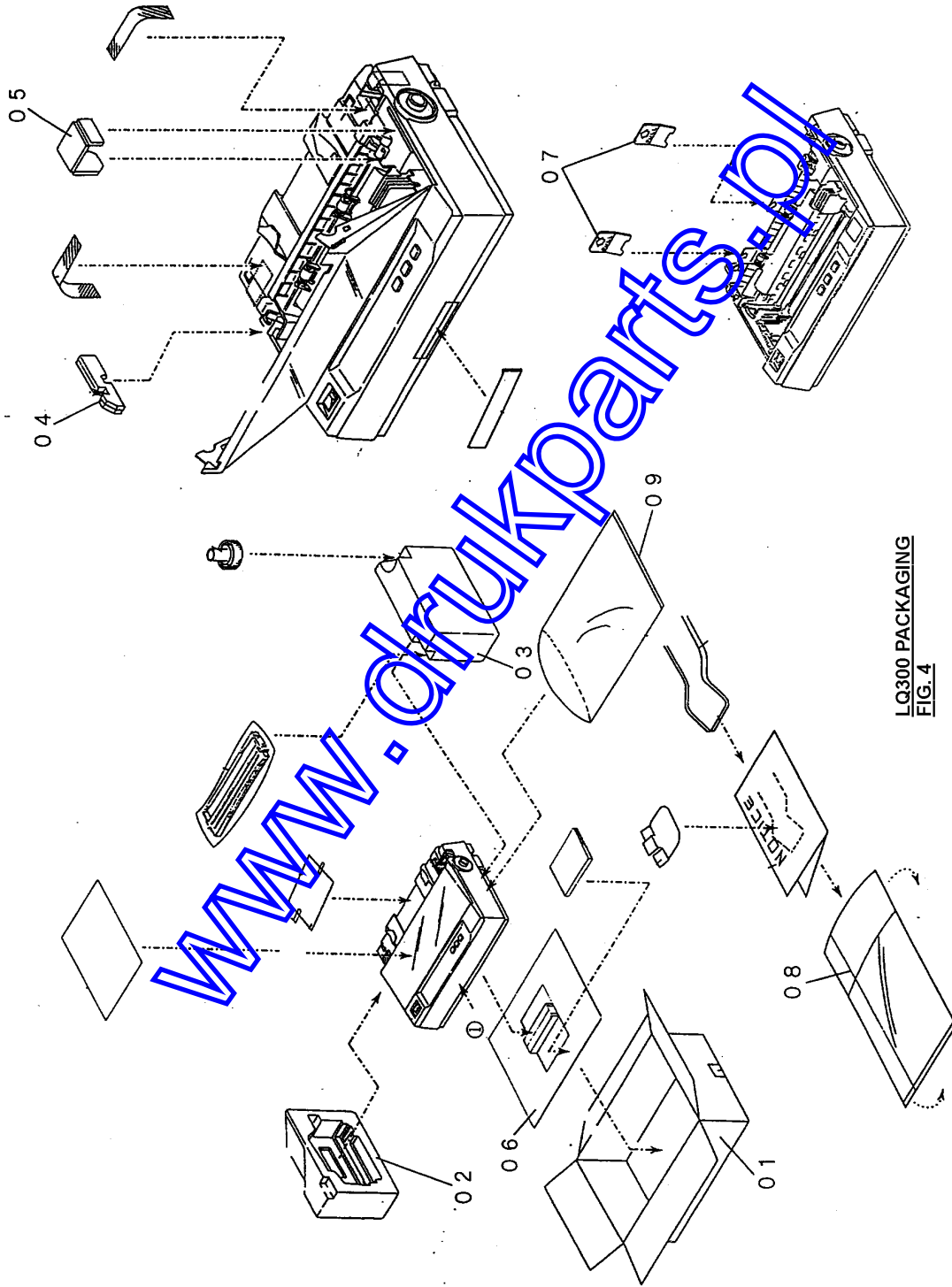
LQ300  
FIG. 1

# EPSON LQ300



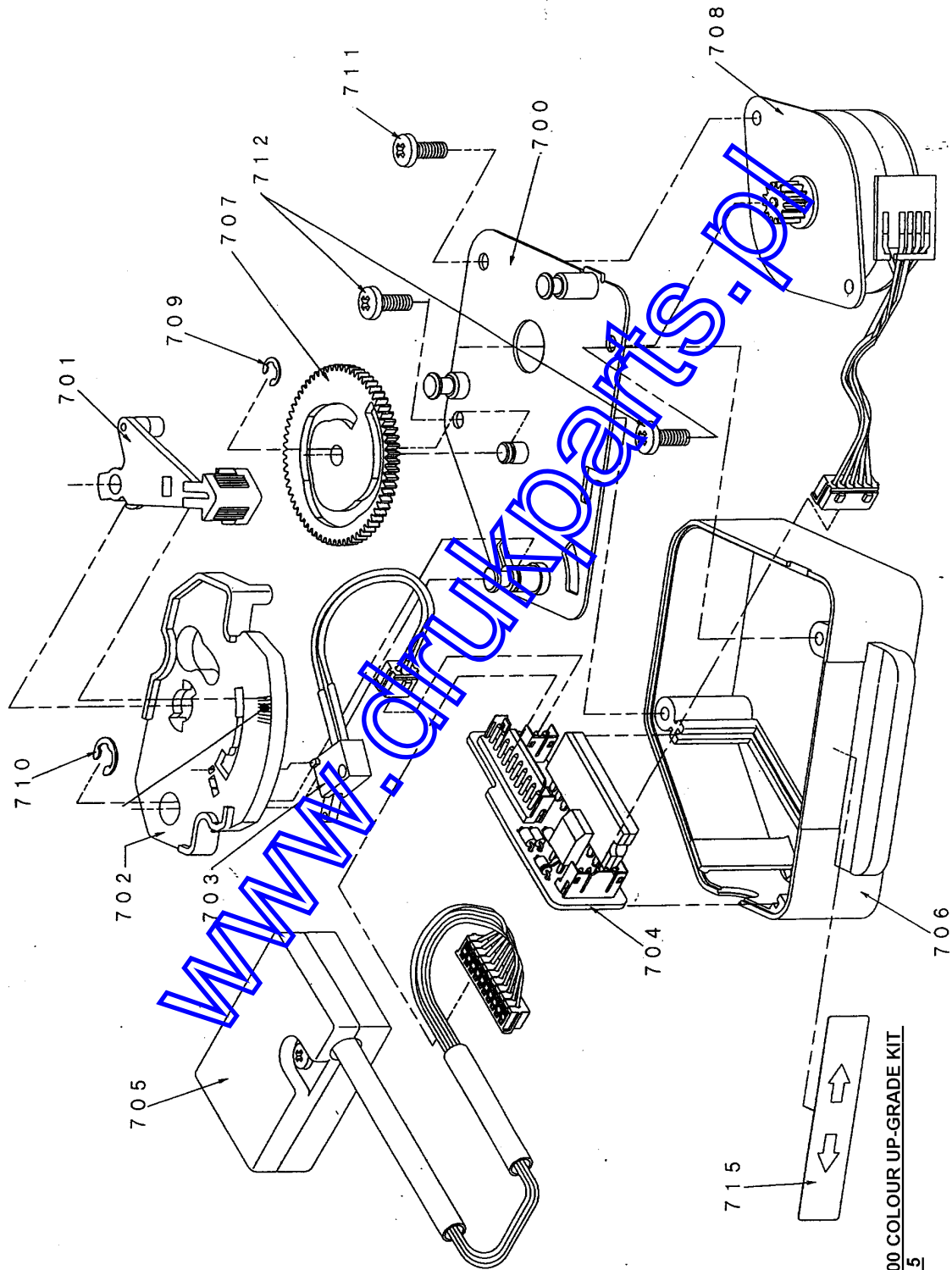
LQ300  
FIG. 2

EPSON  
LQ300



LQ300 PACKAGING  
FIG. 4

# EPSON LQ300



LQ300 COLOUR UP-GRADE KIT  
FIG. 5