

EPSON

NB: Part Number rationalisation – 10 digit part numbers in brackets are the old numbers for otherwise identical items

LQ-2080

Page No.:1

REF.	PART NO	DESCRIPTION	SPEC	QTY
100	1044971	HOUSING ASSY.,WHITE LOWER,		1
101	1039403	COVER,WHITE FRONT;W		1
102	1039396	HOUSING, WHITE UPPER;W		1
103	1044972	COVER ASSY.,PRINTER,REAR		1
104	1046632	COVER ASSY.,PRINTER		1
105	1039456	EDGE GUIDE ASSY.,WHITE FRONT		1
106	1039499	EDGE GUIDE ASSY.WHITE REAR		1
107	1039404	COVER,WHITE BOTTOM;		1
108	1039405	KNOB WHITE		1
109	1250566	SHIELD PLATE SET		1
110	1037223	COVER,CONNECTOR,WHITE UPPER		1
111	1026742	SHIELD PLATE,UPPER E		1
112	1005480	GROUNDING PLATE		4
113	1025669	GROUNDING PLATE,I/F		1
114	1026336	STOPPER,COVER,FRONT		1
115	1026337	COVER,COMPRESSION SPRING		1
117	1039408	GUIDE, WHITE I/F BOARD;B;		1
118	1026339	COMPRESSION SPRING,2.94		1
120	1045389	LOGO PLATE		1
121	1021825	C.B.B. SCREW(B310206511)	M4X14	3
122	1006901	C.B.C-LAMITITE	M3X8	4
123	1073247	C.B.B. SCREW(B310204511)	M3X12	1
124	1073243	C.B.B. SCREW(B310204311)	M3X8	2
126	1025409	PRINTER MECHANISM MOUNTING SCREW		4
127	1073247	C.B.B. SCREW(B310204511)	M3X12	9
128	1073162	C.B.S. SCREW(B300200111)	M3X4	3
129	1028106	C.B.B.SCREW,4X14,F/ZR		1
130	2020073	FERRITE CORE		1
131	1073114	C.B.(O) SCREW 4X8 F/ZG(B3045800115)	M4X8 F/ZG	1
133	1002674	C.B.S-TITE SCREW	M3X12	2
137	1011863	GROUNDING PLATE,I/F,UPPER		1
200	2081795	BOARD ASSY., MAIN	5580H, (NEW ASIC+EXT. SRAM)	1
300	2077617	BOARD ASSY.,POWER SUPPLY	5362F,STANDARD(Change of CN1)	1
330	2021660	HARNES		1
380	2021422	FAN		1
400	2006741	POWER CABLE,BS31303SA-SR-10A	240V	1
401	2056524	HARNESS		1
450	2027199	BOARD ASSY.,WHITE PANEL	ECW	1
500	2030825	PRINTER MECHANISM(ASP),M-5R60-100		1
501	1039889	FRAME ASSY.,RIGHT		1
502	1039892	FRAME ASSY.,LEFT		1
503	2026605	MOTOR,CARRIAGE	DC3.0V/1.1A/3.3W ST	1
504	1049976	RIBBON DRIVE ASSY.,;B		1
505	2021437	HARNESS,PE,LEFT		1
506	2021438	HARNESS,PE,RIGHT		1
511	2019034	MOTOR,PAPER FEED	DC6.4V/0.4A/2,6W	1
513	1044149	PLAIN WASHER,6.1X0.2X17,S/NA		1
514	1047671	COMPRESSION SPRING,1.47		1
521	2019017	HARNESS,PG		1
522	2032842	DETECTOR,HOME POSITION ;E	4V,50MA,100MW	1
523	2019016	HARNESS,HOME POSITION		1

EPSON

NB: Part Number rationalisation – 10 digit part numbers in brackets are the old numbers for otherwise identical items

LQ-2080

Page No.:2

REF.	PART NO	DESCRIPTION	SPEC	QTY
524	2014328	CONNECTOR SWITCH;B		3
525	1109354	PAPER GUIDE		1
526	1025322	SHAFT,RELEASE		1
527	2019010	HARNESS,PE,FRONT		1
528	2019009	HARNESS,PE,REAR		1
529	1025324	LEVER,PE,SUPPORT		1
530	2019011	DETECTOR,PE,FRONT	0V,0A,0W,	1
531	1005727	DETECTOR ASSY., REAR		1
532	1005213	ROLLER,PF,DRIVEN,LOWER		5
533	1047761	ROLLER ASSY,PF		5
534	1005215	EXTENSION SPRING,70		5
535	1025363	COMPRESSION SPRING,10.8		5
536	1028531	CARRIAGE ASSY.		1
538	1025344	COVER,CARRIAGE		1
539	1025348	BUSHING,14		1
540	1109674	PAPER GUIDE ASSY.WHITE ,REAR;		1
541	1039012	TRACTOR ASSY WHITE ,REAR;		1
542	1039341	TRACTOR, WHITE LEFT;		1
543	1039342	TRACTOR,WHITE RIGHT;		1
544	1025291	SHAFT,TRACTOR ,DRIVE		1
545	1025292	SHAFT,TRACTOR GUIDE		1
546	1039415	FRAME,TRACTOR WHITE LEFT;		1
547	1039416	FRAME,TRACTOR WHITE RIGHT;		1
548	1025289	LEVER,TRACTOR LEFT,REAR		1
549	1025290	LEVER,TRACTOR RIGHT,REAR		1
550	1025296	PAPER SUPPORT		1
551	1039507	SPUR GEAR,20		2
552	1025350	EXTENSION SPRING,15		1
555	1046629	PAPER EJECT ASSY: WHITE		1
556	1025301	COVER,PAPER EJECT		1
557	1029507	FRAME,PAPER EJECT,BASE		1
558	1039413	FRAME,PAPER EJECT WHITE,LEFT		1
559	1039414	FRAME,PAPER EJECT WHITE RIGHT		1
560	1025306	ROLLER,PAPER EJECT,DRIVEN		5
561	1025310	SPUR GEAR,15		1
562	1005245	SPUR GEAR,15		1
564	1025305	ROLLER,PAPER EJECT,DRIVE		1
565	1025203	ROLLER ASSY.,PAPER FEED,DRIVE		1
566	1025334	CABLE,HEAD,CABLE		1
567	2021268	CABLE,HEAD,LOWER		1
568	2021269	CABLE,HEAD,UPPER		1
569	1025355	BUSHING,8,LEFT		1
570	1046241	PLATEN		1
571	1031612	SPUR GEAR,36		1
572	1025285	BUSHING,8,RIGHT		1
573	1047485	COVE PLATEN ASSY.		1
574	2018904	DETECTOR ASSY.,PW		1
575	1025345	RIBBON MASK		1
576	1025352	PAPER GUIDE,SUPPORT		1
577	1025280	HOLDER,DRIVEN PULLEY		1
578	1025326	FRAME,REAR		1

EPSON

NB: Part Number rationalisation – 10 digit part numbers in brackets are the old numbers for otherwise identical items

LQ-2080

Page No.:3

REF.	PART NO	DESCRIPTION	SPEC	QTY
579	1025327	FRAME,FRONT		1
580	1028578	FRAME,SUB,RIGHT		1
581	1028347	SHAFT,CR,GUIDE,REAR		1
582	1028348	SHAFT,CR,GUIDE,FRONT		1
583	1025331	BUSHING,PARALLEL,ADJUST		1
584	1025332	LEVER,GAP,ADJUST		1
585	1039412	CAP,LEVER;WHITE		1
586	1025374	SHEET,RELEASE,CAP		1
587	1025349	MOUNTING PLATE,MOTOR,CR		1
588	1025346	HOLDER,RIBBON MASK		1
589	1027101	OIL PAD,LOWER		2
590	1235583	LEVER,RELEASE;WHITE		1
591	1028357	CAM,CLUTCH,TRACTOR		1
592	1025335	BASE RUBBER		4
593	1005222	COMBINATION GEAR,8,30		1
594	1005224	SPUR GEAR,27		1
595	1013093	SPUR GEAR,34.5		2
596	1005226	SPUR GEAR,34		1
597	1076285	LEAF SPRING(B101253990)	8.2X0.25X15	1
598	1028359	INTERMITTENT GEAR		1
599	1025353	PAPER GUIDE,MIDDLE		1
600	1025354	PAPER GUIDE,FRONT		1
601	1005232	COMPRESSION SPRING,200		2
602	1025360	SPUR GEAR,21		1
603	1235585	LEVER, WHITE RELEASE,TRANSMISSION;		1
604	1030844	OIL PAD		2
605	1025343	HOLDER,DETECTOR,PG		1
606	1029076	LEVER,RELEASE,DETECTOR		1
607	1025375	GROUNDING PLATE,PAPER GUIDE,MIDDLE		1
608	1026439	SHEET,RELEASE,CAP,SUB		1
609	1026551	HOLDER,CABLE		1
610	1026620	COVER,DRIVEN PULLER		1
611	1006653	C.B.SCREW(B300204211)	M3X8	1
612	1025311	GROUNDING PLATE,PAPER EJECT		1
613	1005416	SHAFT,MOUNT,CR		2
614	1071064	C.B.SCREW(M2.5X5,F/ZN(B010302211)	M2.5X5	1
615	1073243	C.B.SCREW(B310204311)	M3X8	1
617	1025356	LEAF SPRING,CR		1
620	1025323	LEVER,DETECTOR,PE,REAR		1
626	1025325	COMPRESSION SPRING,0.26		1
627	1025307	HOLDER,PAPER EJECT,DRIVEN		5
628	1025309	COMPRESSION SPRING,0.392		5
629	1025308	HOLDER,PAPER EJECT,SPRING		5
630	2019015	CABLE,DETECTOR		1
632	1039461	GUIDE,PAPER EJECT;WHITE		1
633	1074768	RETAINING RING(B150300911)	TYPE-E(6)	2
634	1031702	SPRING PIN,2X18,F/B		1
635	1001303	C.P.S.P.S. SCREW(B302704211)	M3X6	4
636	1073165	C.B.S. SCREW(B300204211)	M3X6	10
637	1076264	PLAIN WASHER(B100166012)	8X0.5X15	3
638	1074777	RETAINING RING(B160101412)	TYPE-C	5

EPSON

NB: Part Number rationalisation – 10 digit part numbers in brackets are the old numbers for otherwise identical items

LQ-2080

Page No.:4

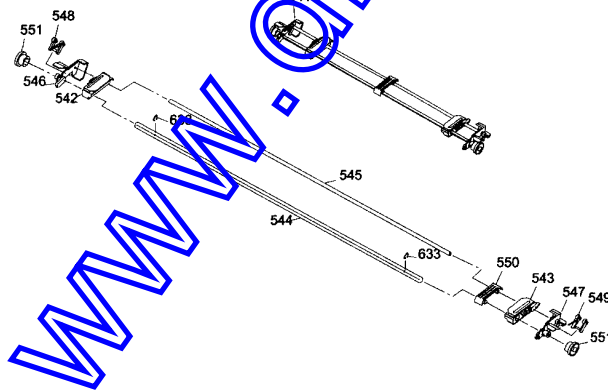
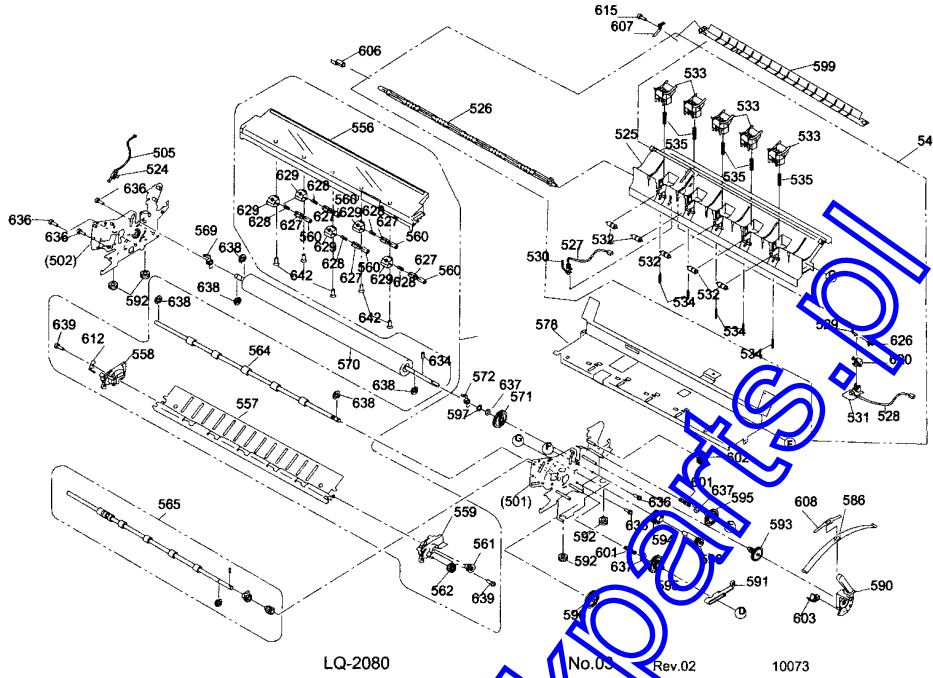
REF.	PART NO	DESCRIPTION	SPEC	QTY
639	1006901	C.B.C-LAMITITE	M3X8	2
640	1004635	C.B.SCREW(B010303311)	M3X6	2
641	1073171	C.B.S. SCREW(B300204311)	M3X8	2
642	1019830	C.F.P-TITE SCREW,2.6X8,F/ZN		5
643	1076213	HEXAGON NUT(B070200411)	M4	4
644	1073172	C.B.S. SCREW(B300204411)	M3X10	2
645	1001275	C.B.SCREW(B010303511)	M3X10	1
650	F070000	PRINT HEAD,DH24-0E0	24	1
NON FIG	1017039	LABEL,EARTH		1
END				

www.drukparts.nl

NB: Part Number rationalisation – 10 digit part numbers in brackets are the old numbers for otherwise identical items

LQ-2080

Page No.:6



LQ-2080

No.04 Rev.01