

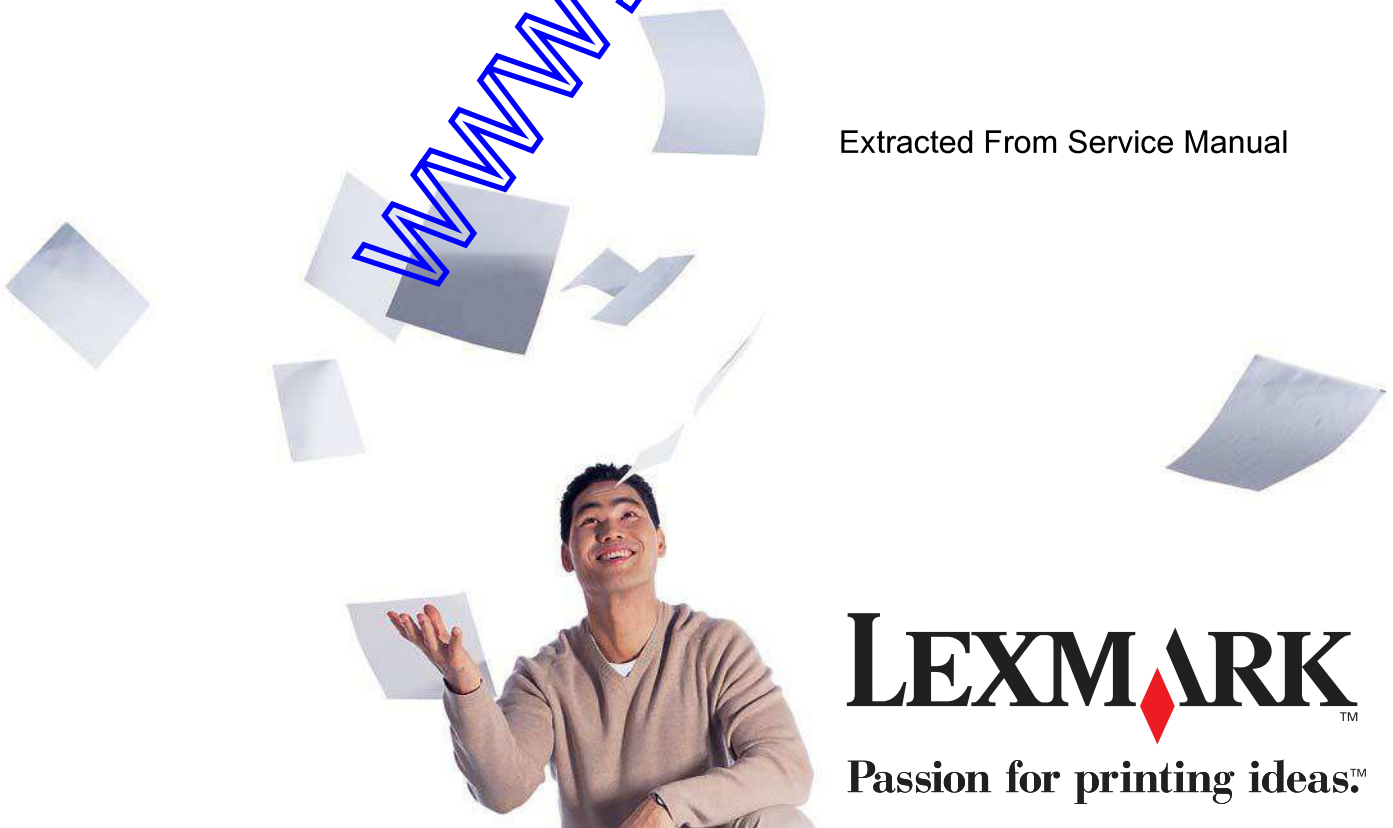
Parts Breakdown

Lexmark X6100 Series

4408-XXX

www.drukparts.pl

Extracted From Service Manual



LEXMARKTM

Passion for printing ideas.TM

4408-00X

Edition: May 2003

The following paragraph does not apply to any country where such provisions are inconsistent with local law: LEXMARK INTERNATIONAL, INC. PROVIDES THIS PUBLICATION "AS IS" WITHOUT WARRANTY OF ANY KIND, EITHER EXPRESS OR IMPLIED, INCLUDING, BUT NOT LIMITED TO, THE IMPLIED WARRANTIES OF MERCHANTABILITY OR FITNESS FOR A PARTICULAR PURPOSE. Some states do not allow disclaimer of express or implied warranties in certain transactions; therefore, this statement may not apply to you.

This publication could include technical inaccuracies or typographical errors. Changes are periodically made to the information herein; these changes will be incorporated in later editions. Improvements or changes in the products or the programs described may be made at any time.

Comments may be addressed to Lexmark International, Inc., Department E-22A/032-2, 740 West New Circle Road, Lexington, Kentucky 40550, U.S.A or e-mail at ServiceInfoAndTraining@Lexmark.com. Lexmark may use or distribute any of the information you supply in any way it believes appropriate without incurring any obligation to you. You can purchase additional copies of publications related to this product by calling 1-800-553-9727. In other countries, contact your point of purchase.

Lexmark, Lexmark with diamond design, Color Jetprinter, and ColorFine are trademarks of Lexmark International, Inc., registered in the United States and/or other countries.

Other trademarks are the property of their respective owners.

© 2003 Lexmark International, Inc.

All rights reserved.

UNITED STATES GOVERNMENT RIGHTS

This software and any accompanying documentation provided under this agreement are commercial computer software and documentation developed exclusively at private expense.

U.S.A. P/N: 12G9253

Japanese P/N: 12G9254

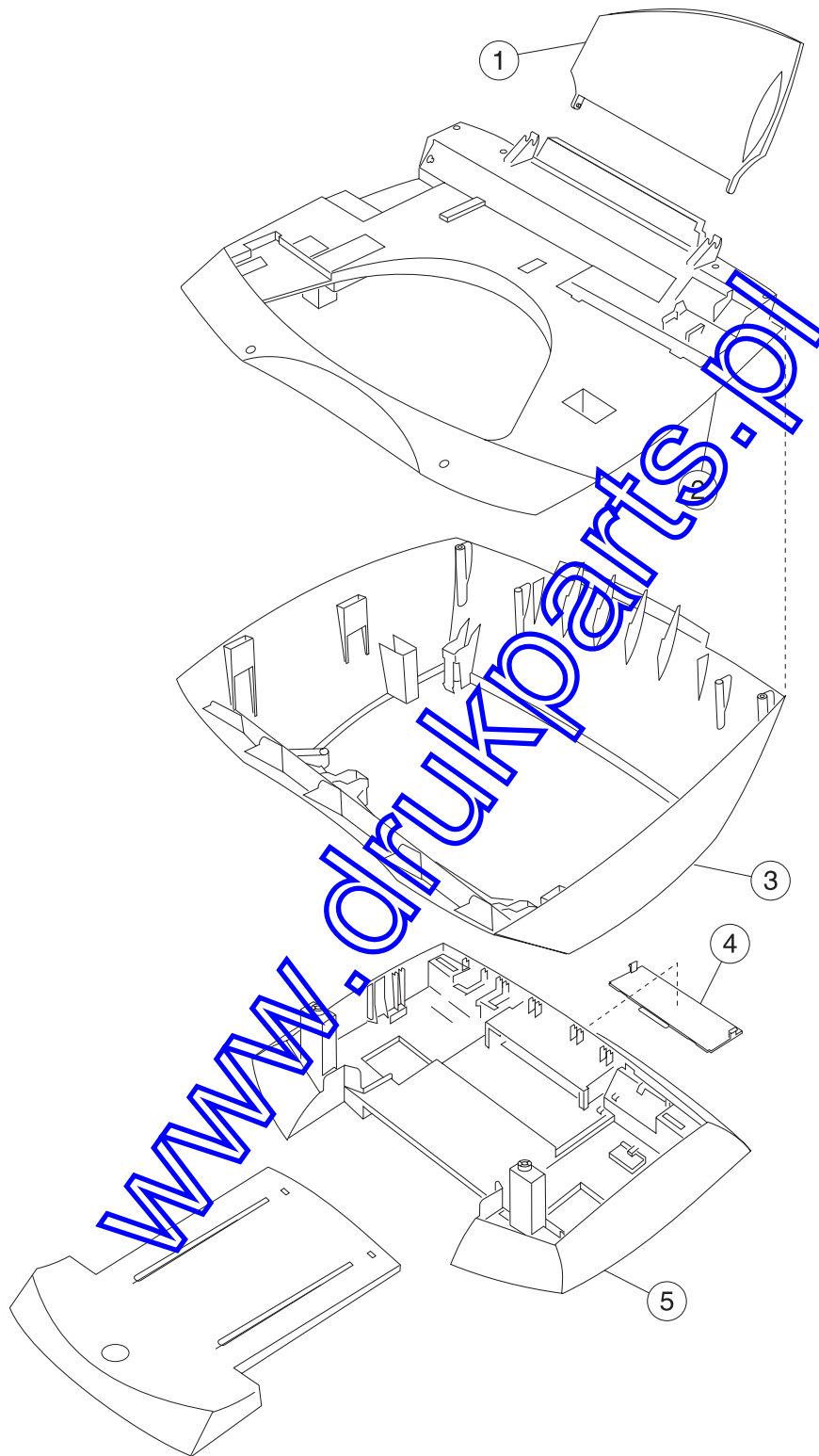
7. Parts catalog

How to use this parts catalog

- **SIMILAR ASSEMBLIES:** If two assemblies contain a majority of identical parts, they are shown on the same list. Common parts are shown by one index number. Parts peculiar to one or the other of the assemblies are listed separately and identified by description.
- **NS:** (Not Shown) in the Asm-Index column indicates that the part is procurable but is not pictured in the illustration.
- **PP:** in the parts description column indicates the part is available in the listed parts packet.
- **NA:** Not available as a FRU.

www.drukparts.nl

Assembly 1: Covers

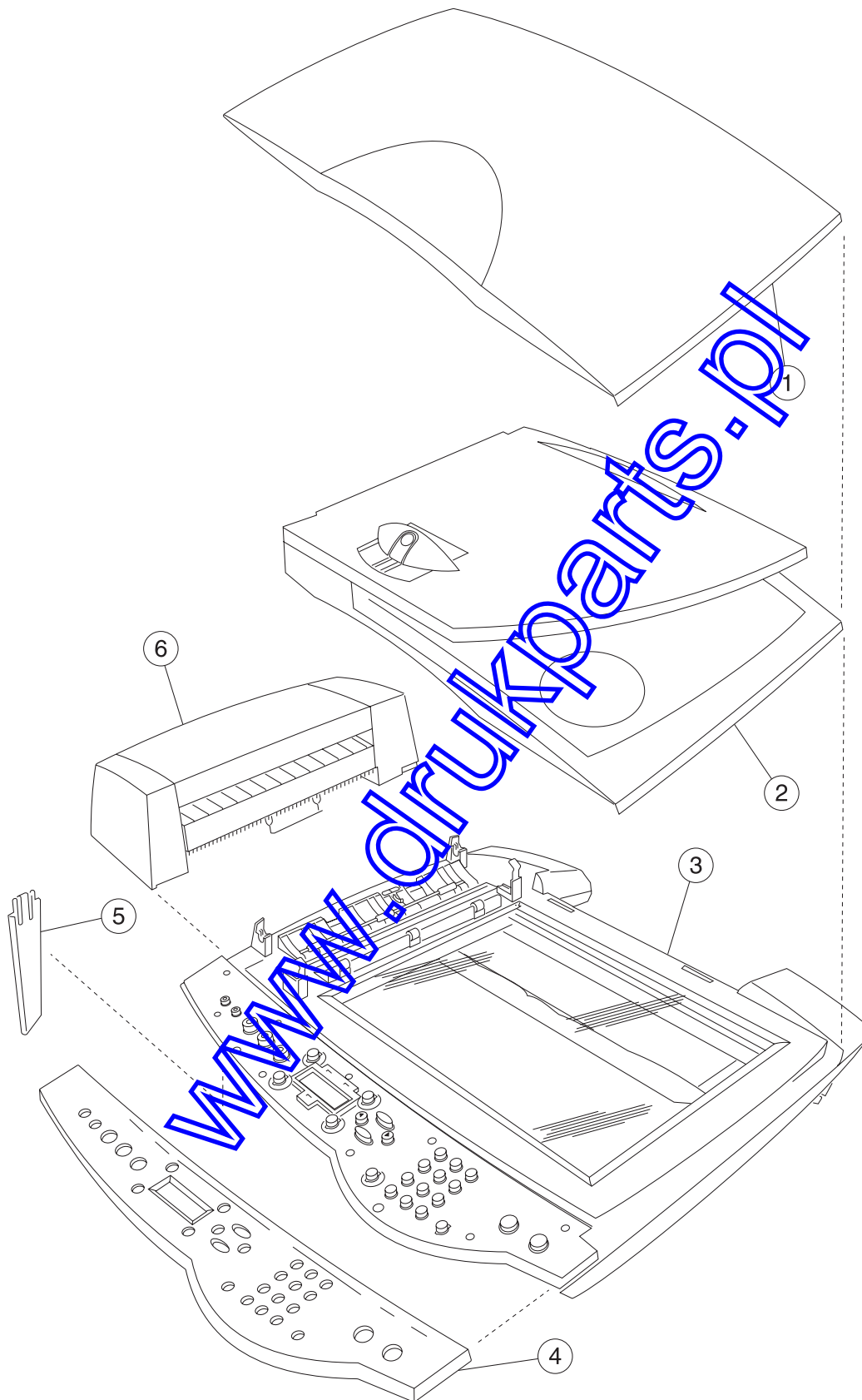


Assembly 1: Covers

Asm-Index	Part Number	Units	Description
1-1	56P1778	1	Paper support
3	56P1783	1	Engine cover
2	56P1784	1	Midframe cover
4	56P1786	1	Fax cover
5	56P1781	1	Base assembly
NS	7371533	1	Plain package B/M includes: carton, cushion set, and sealing tape (001)
NS	7371538	1	Plain package B/M includes: carton, cushion set, and sealing tape (002)

www.drukparts.pl

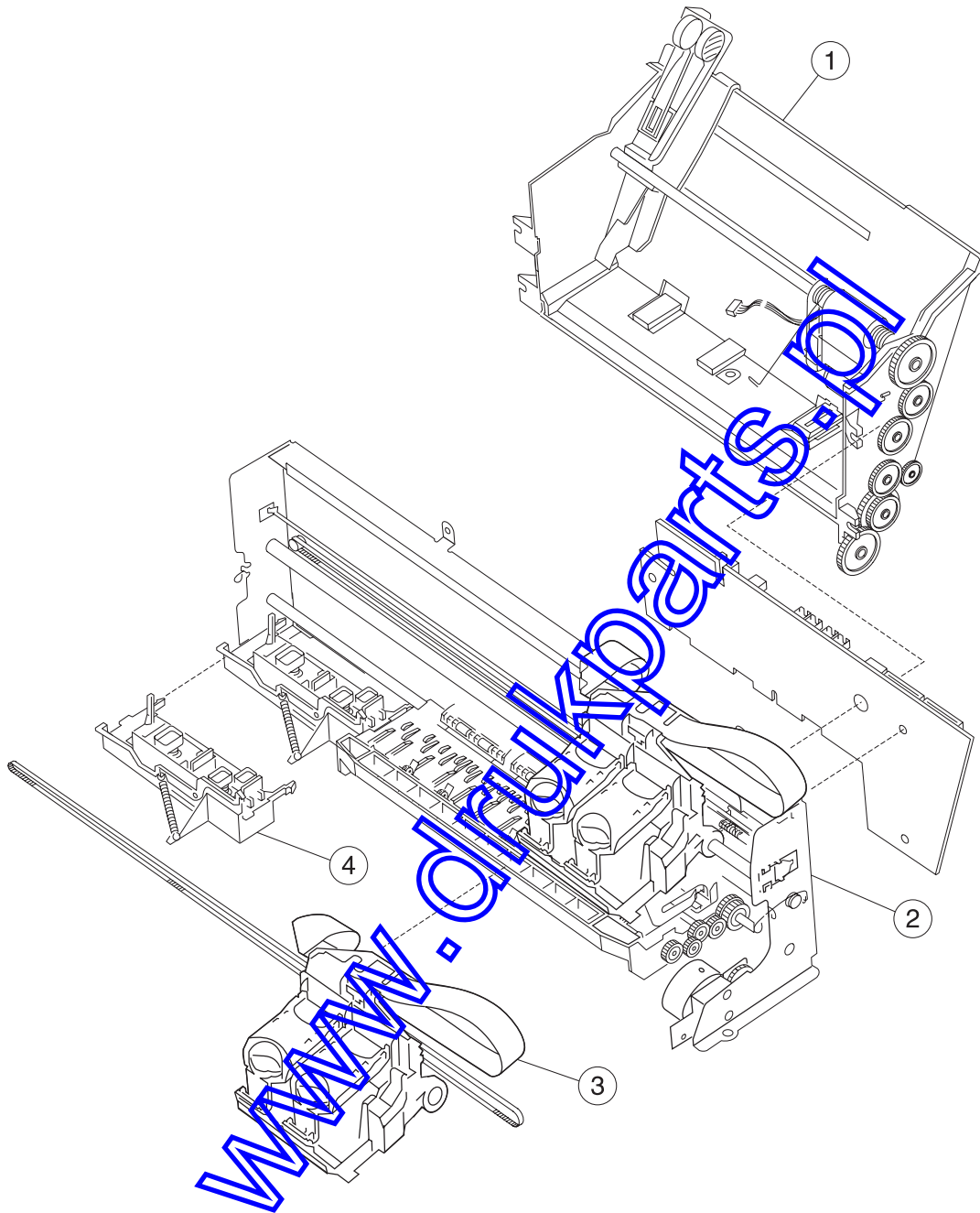
Assembly 1 (cont.): Covers



Assembly 1: (cont.) Covers

Asm-Index	Part Number	Units	Description
1-1	56P1780	1	Scanner lid assembly (002)
2	56P1779	1	Scanner lid assembly (001)
3	56P1776	1	Control panel scanner assembly (001)
4	15K0153	1	Cover, control panel, English
5	56P1785	1	Scanner support
6	56P1774	1	ADF Module
NS	56P1777	1	Control panel scanner assembly (002)
NS	56P1789	1	Control panel scanner assembly (AK1)
NS	56P1790	1	Control panel scanner assembly (AK2)
NS	15K0154	1	Cover, control panel, French
NS	15K0155	1	Cover, control panel, Germany
NS	15K0156	1	Cover, control panel, Spain
NS	15K0157	1	Cover, control panel, Italy
NS	15K0158	1	Cover, control panel, Dutch
NS	15K0159	1	Cover, control panel, Portuguese (Brazil)
NS	15K0160	1	Cover, control panel, Polish
NS	15K0161	1	Cover, control panel, Japanese
NS	15K0162	1	Cover, control panel, Simple Chinese
NS	15K0163	1	Cover, control panel, Traditional Chinese
NS	15K0164	1	Cover, control panel, Russian
NS	15K0167	1	Cover, control panel, Greek

Assembly 2: Paper feed, frame, and carrier transport

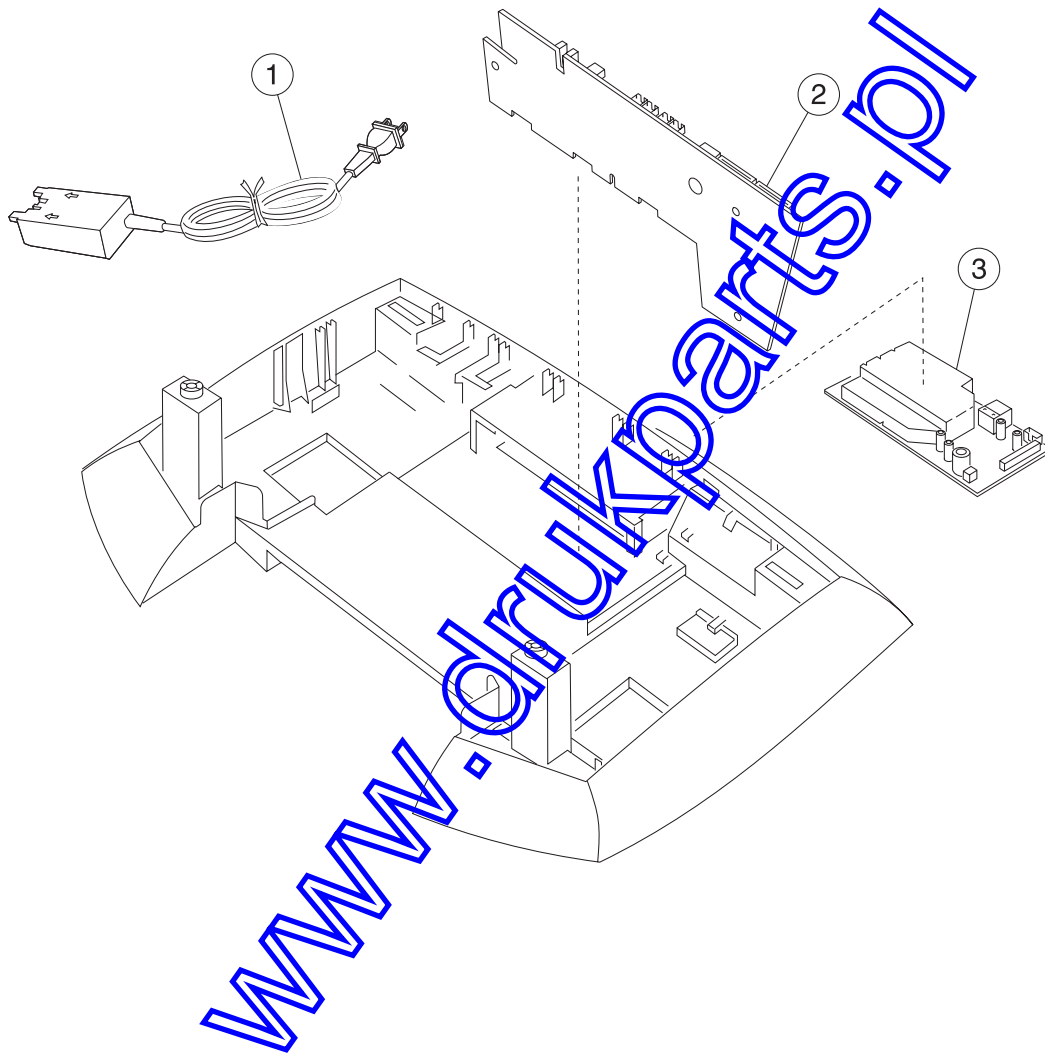


Assembly 2: Paper feed, frame, and carrier transport

Asm-Index	Part Number	Units	Description
2-1	56P1774	1	ASF module
2	56P1770	1	Printing engine
3	56P1773	1	Carrier w/cable assembly
4	56P1788	1	Maintenance station assembly

www.drukparts.pl

Assembly 3: Electronics



Assembly 3: Electronics

Asm-Index	Part Number	Units	Description
3-1	13D0400	1	Power supply (LV) 120 V
2	56P1771	1	Board, system (001)
3	56P1787	1	Fax card
NS	56P1772	1	Board, system (002)
NS	13D0401	1	Power supply (HV) 220 V
NS	13D0402	1	Power supply – Japan 100 V

www.drukparts.pl