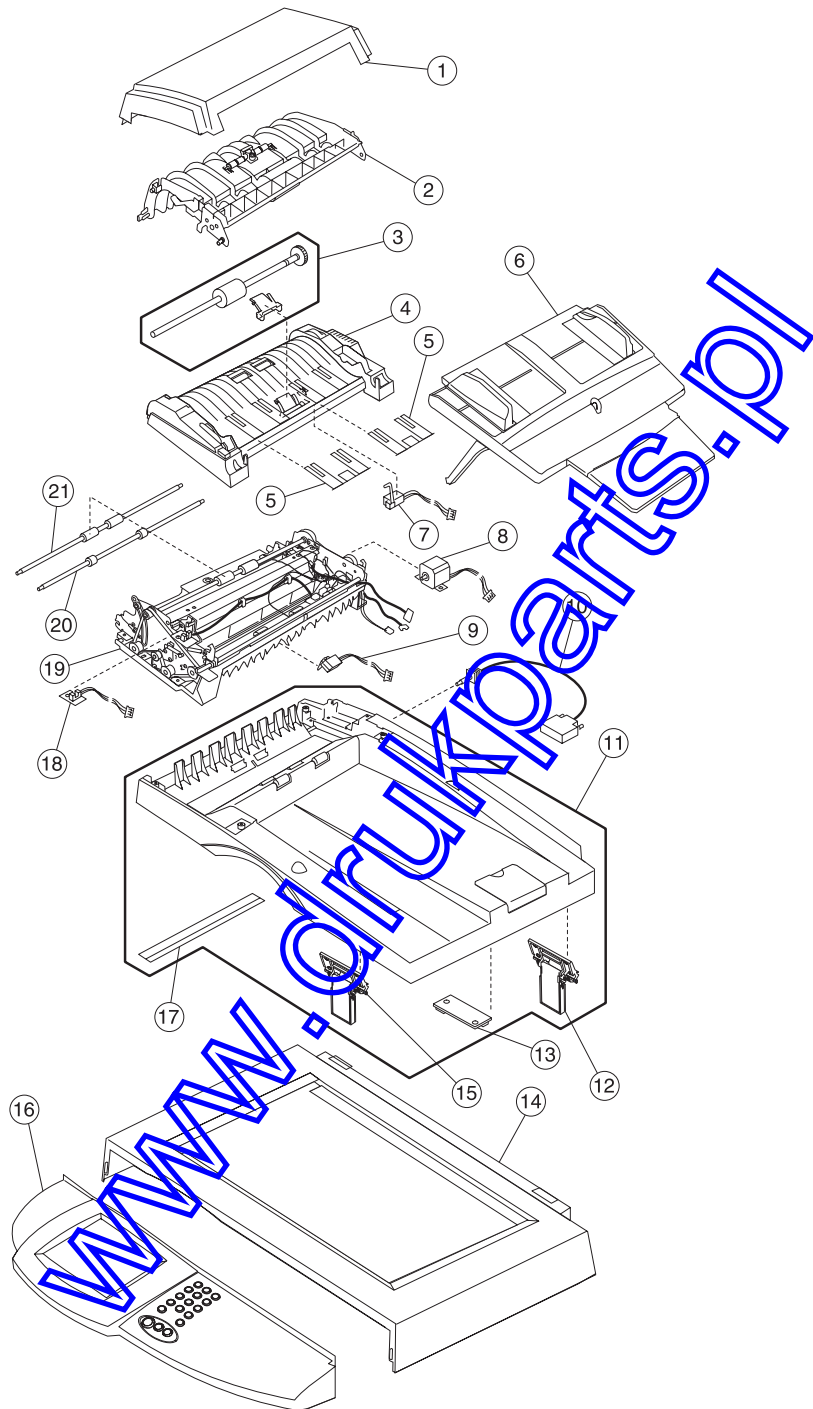


Assembly 1: Upper Scanner

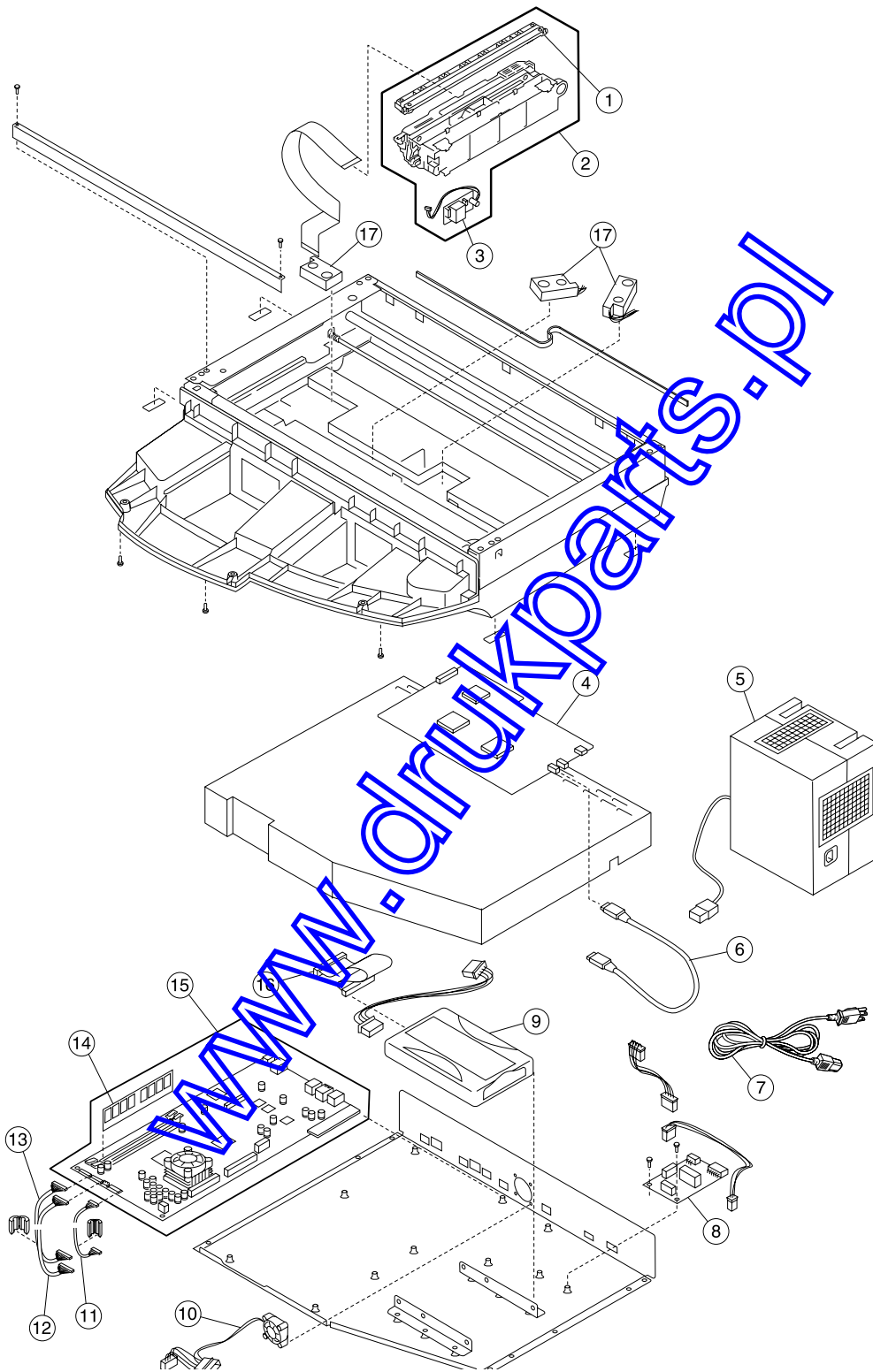


Assembly 1: Upper scanner

Asm-index	Part number	Units	Description
1—1	56P2048	1	Cover, ADF upper
2	56P2045	1	Guide, ADF upper
3	56P2049	1	Kit, ADF pick roller and pad
4	56P2047	1	Guide, ADF lower
5	56P2059	2	Strip, MYLAR, paper entry
6	56P2046	1	Tray, paper input
7	56P2060	1	Sensor, ADF paper present
8	56P2063	1	Motor, ADF drive
9	56P2065	1	Sensor assembly, ADF paper feed
10	56P2050	1	Cable, ADF to flatbed
11	56P2113	1	Base, ADF assembly
12	56P2114	1	Hinge, ADF assembly, right
13	56P2116	1	Card assembly, ADF controller
14	56P2051	1	Housing, flatbed upper
15	56P2115	1	Hinge, ADF assembly, left
16	56P2052	1	Panel assembly, user interface
17	56P2222	1	Strip, MYLAR, paper exit
18	56P2064	1	Sensor assembly, cover open
19	56P2044	1	Sub assembly, internal ADF CCD
20	56P2062	1	Roller, output feed
21	56P2061	1	Roller, input feed
NS	56P2177	1	Assembly, complete ADF

www.drukparts.pl

Assembly 2: Lower scanner



Assembly 2: Lower scanner

Asm-index	Part number	Units	Description
2—1	56P2053	1	Lamp assembly, flatbed
2	56P2055	1	Unit assembly, flatbed CCD/optical
3	56P2054	1	Card assembly, flatbed lamp inverter
4	56P2057	1	Card assembly, main scanner
5	12G6918	1	Power supply, universal, external
6	56P1473	1	Cable, 1394, 16.5 inch
7	11D0328	1	Power cord, U.S., Canada, LAD (LV), and APG (LV)
7	11D0330	1	Power cord, Argentina
7	11D0333	1	Power cord, Denmark
7	11D0334	1	Power cord, Belgium, England, EU, France, Germany, and Spain
7	11D0335	1	Power cord, Italy
7	11D0336	1	Power cord, Switzerland
7	11D0337	1	Power cord, Egypt, Gulf, Ireland, United Kingdom
7	11D0338	1	Power cord, Israel
7	11D0339	1	Power cord, South Africa
7	11D0340	1	Power cord, Australia and New Zealand
8	56P0192	1	Card assembly, power distribution
9	56P2058	1	Drive assembly, hard disk drive
10	56P1808	1	Fan, control cage cooling
11	56P2170	1	Cable, user interface, 7-pin
12	56P2171	1	Cable, user interface, 14-pin
13	56P2172	1	Cable, user interface, 15-pin
14	56P9910	1	Card assembly, 128MB DIMM
15	56P2554	1	Card assembly, MFD controller, worldwide except Australia and New Zealand
15	56P2555	1	Card assembly, MFD controller, only Australia or New Zealand
16	56P1472	1	Cable, hard disk to controller
17	56P2056	3	Sensor, optical paper size
NS	56P0558	1	Cable assembly, RJ11 cable with toroids
NS	56P0559	1	Cable assembly, RJ45 cable with toroid

Assembly 3: Miscellaneous

Asm-index	Part number	Units	Description
3—1	7372358	1	Field replacement kit (packaging)
2	56P2169	1	Scanner calibration sheet

www.drukparts.pl