



Service Manual

**Lexmark™ X5100 Series
All-In-One**

4407-XXX

- **Table of Contents**
- **Start Diagnostics**
- **Safety and Notices**
- **Trademarks**
- **Index**

www.druckparts.pl

LEXMARK™

Lexmark and Lexmark with diamond design are trademarks of Lexmark International, Inc., registered in the United States and/or other countries.

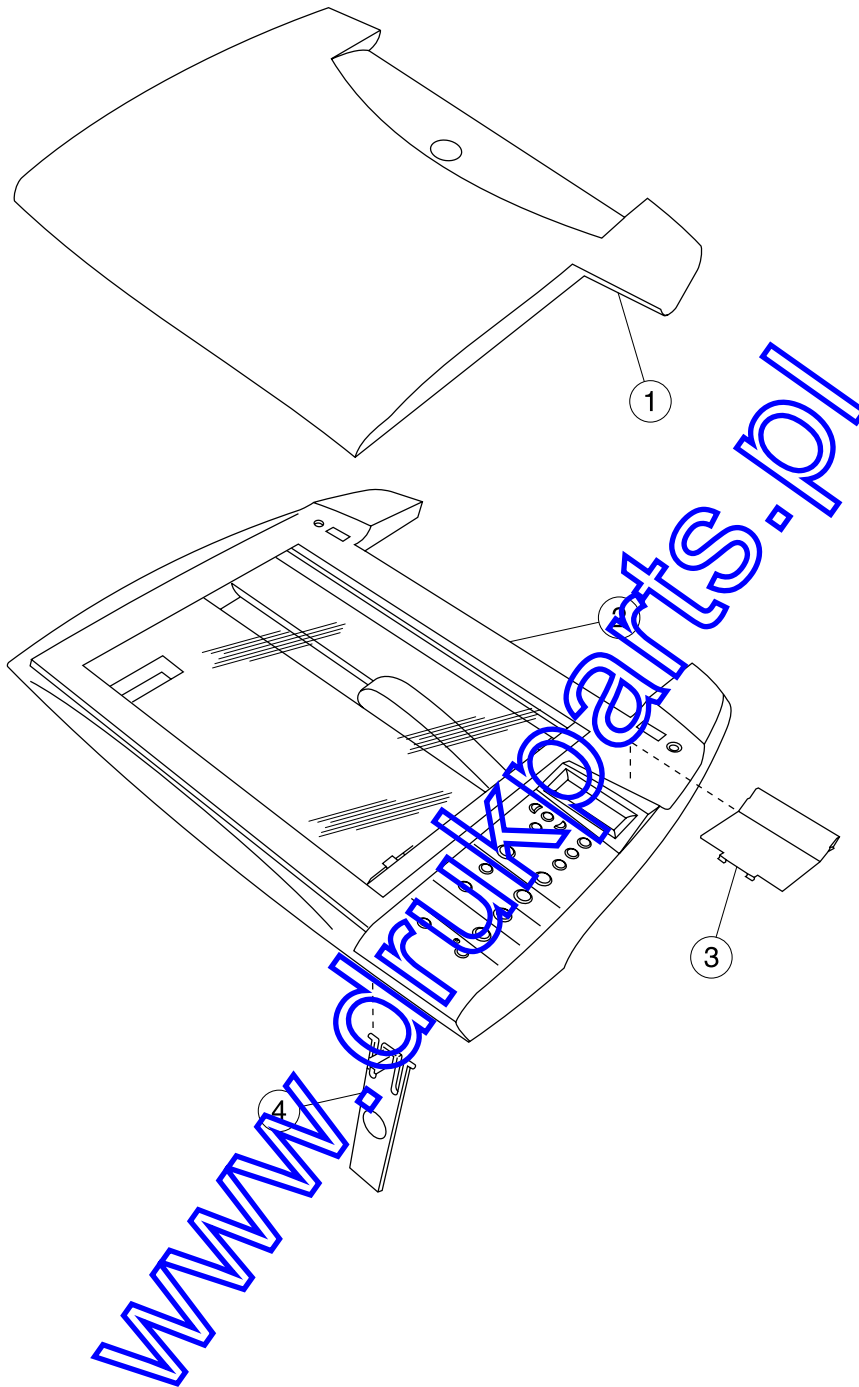
7. Parts Catalog

How to Use This Parts Catalog

- **SIMILAR ASSEMBLIES:** If two assemblies contain a majority of identical parts, they are shown on the same list. Common parts are shown by one index number. Parts peculiar to one or the other of the assemblies are listed separately and identified by description.
- **NS: (Not Shown)** in the Asm-Index column indicates that the part is procurable but is not pictured in the illustration.

www.drukparts.pl

Assembly 1: Covers

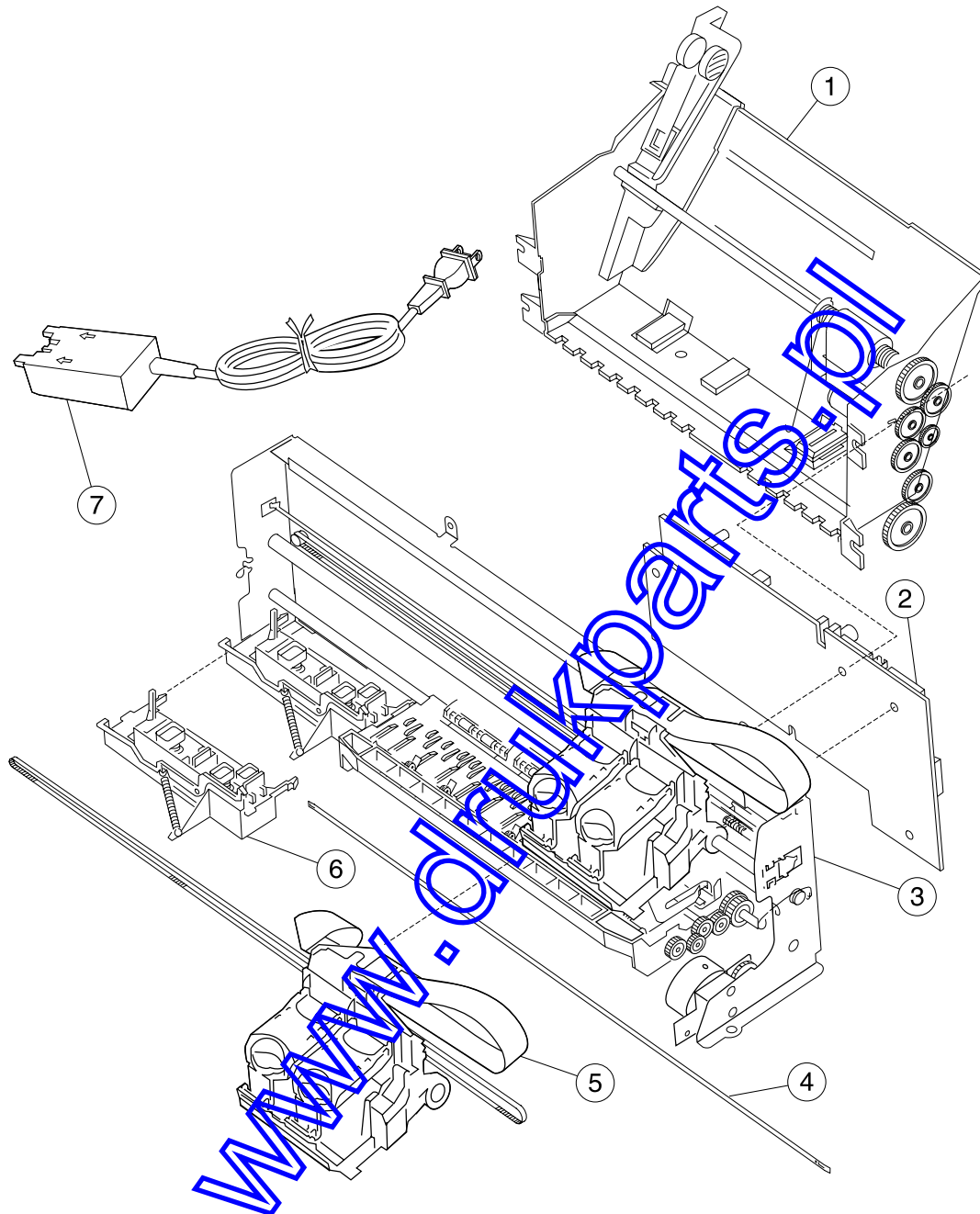


Assembly 1: Covers

Asm-Index	Part Number	Units	Description
1-1	56P1485	1	Scanner Lid Assembly
-2	56P1483	1	Scanning Module Assembly
-2	56P1484	1	Scanning Module Assembly (Japan)
-3	56P1486	1	Cable Cover
-4	56P1487	1	Scanner Support
NS	56P1491	1	Operator Panel Overlays
NS	7370714	1	Plain Package B/M includes: Carton, Cushion Set, and Sealing Tape

www.drukparts.nl

Assembly 2: Print Engine and Carrier Transport



Assembly 2: Print Engine and Carrier Transport

Asm-Index	Part Number	Units	Description
2-1	56P1481	1	ASF Module
-2	56P1489	1	Board, System
-3	56P1480	1	Print Engine
-4	56P1488	1	Encoder Strip
-5	56P1482	1	Carrier w/Cable Assembly
-6	56P1490	1	Maintenance Station Assembly
-7	13D0400	1	Power Supply (LV) 100-127V
NS	13D0401	1	Power Supply (HV) 220-240V
NS	13D0402	1	Power Supply - Japan 100V
NS	13D0303	1	Power Supply - Brazil 110-127V

www.druckparts.pl