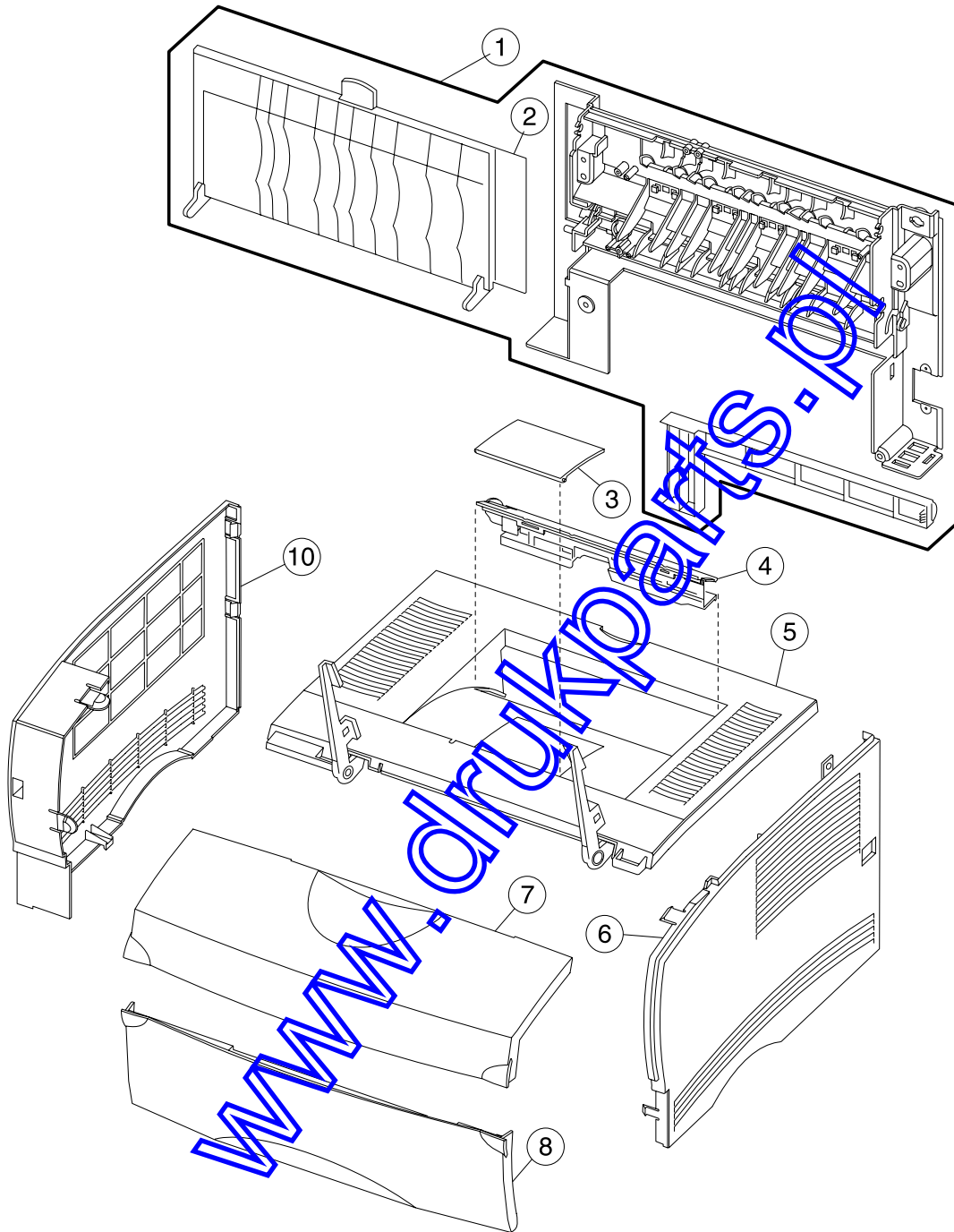


Assembly 1: Covers



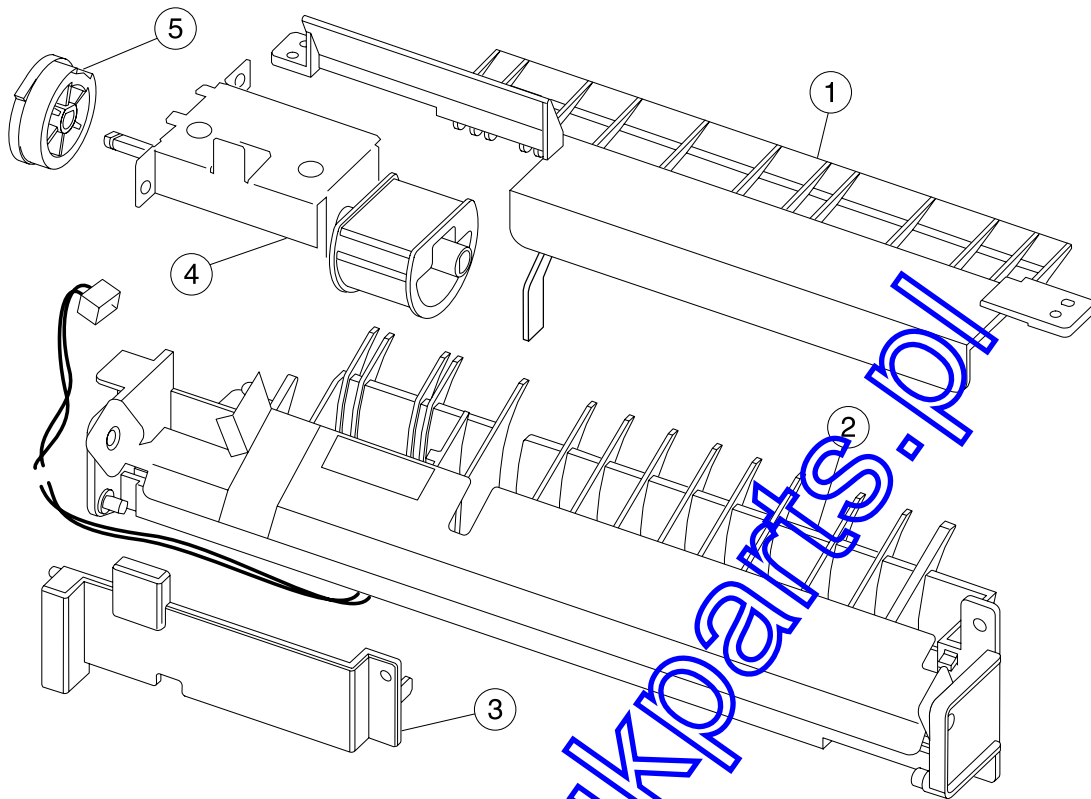
Assembly 1: Covers

Asm-Index	Part Numbers	Units	Description
1-1	56P2508	1	Cover assembly, rear
2	56P0607	1	Door assembly, rear exit
3	56P0680	1	Flap, paper holder
4	56P0603	1	Cover assembly, duct
5	56P2258	1	Cover assembly, top
6	56P2257	1	Cover assembly, right
7	56P2265	1	Cover assembly, front with display (with logo)
8	56P0610	1	Cover assembly, MP5 door
10	56P0600	1	Cover assembly, left

www.drukparts.nl

7001-001

Assembly 2: Multipurpose feeder (MPF)



www.drukparts.pl

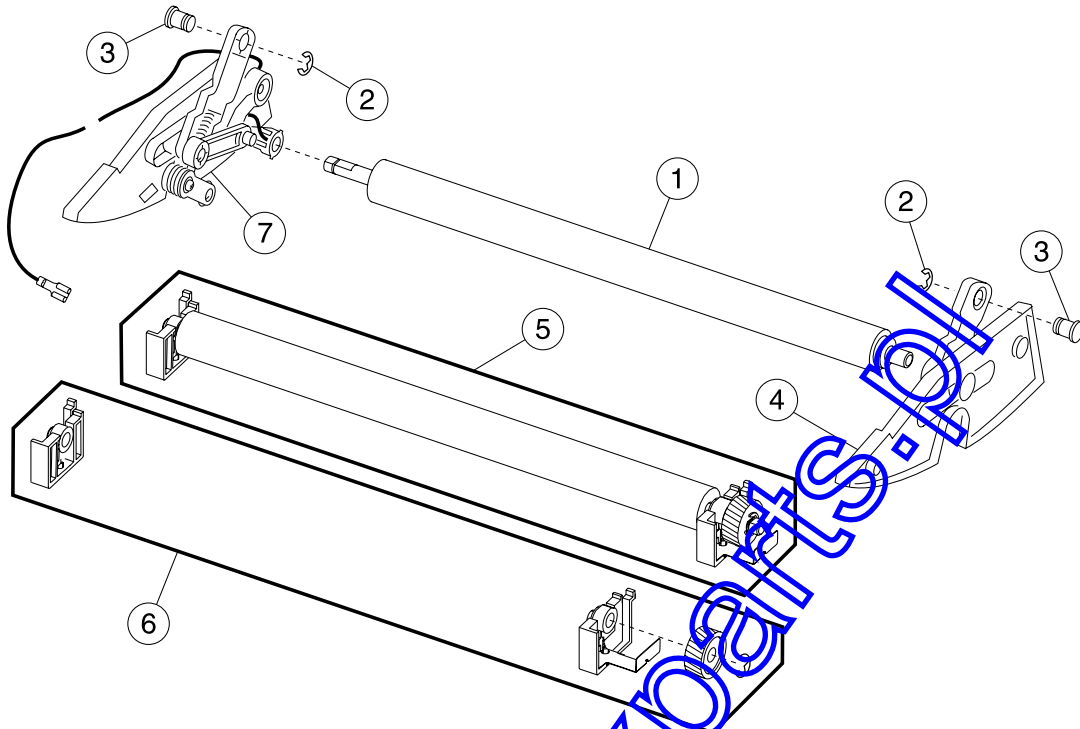
Assembly 2: Multipurpose feeder (MPF)

Asm-Index	Part Numbers	Units	Description
2-1	56P0612	1	Housing assembly, upper (MPF)
2	56P0611	1	Housing assembly, lower (MPF)
3	56P0615	1	Cap, MPF paper feed cover
4	56P2181	1	Assembly, roller (MPF)
5	56P0614	1	Gear, MPF paper pick

www.drukparts.pl

7001-001

Assembly 3: Charging

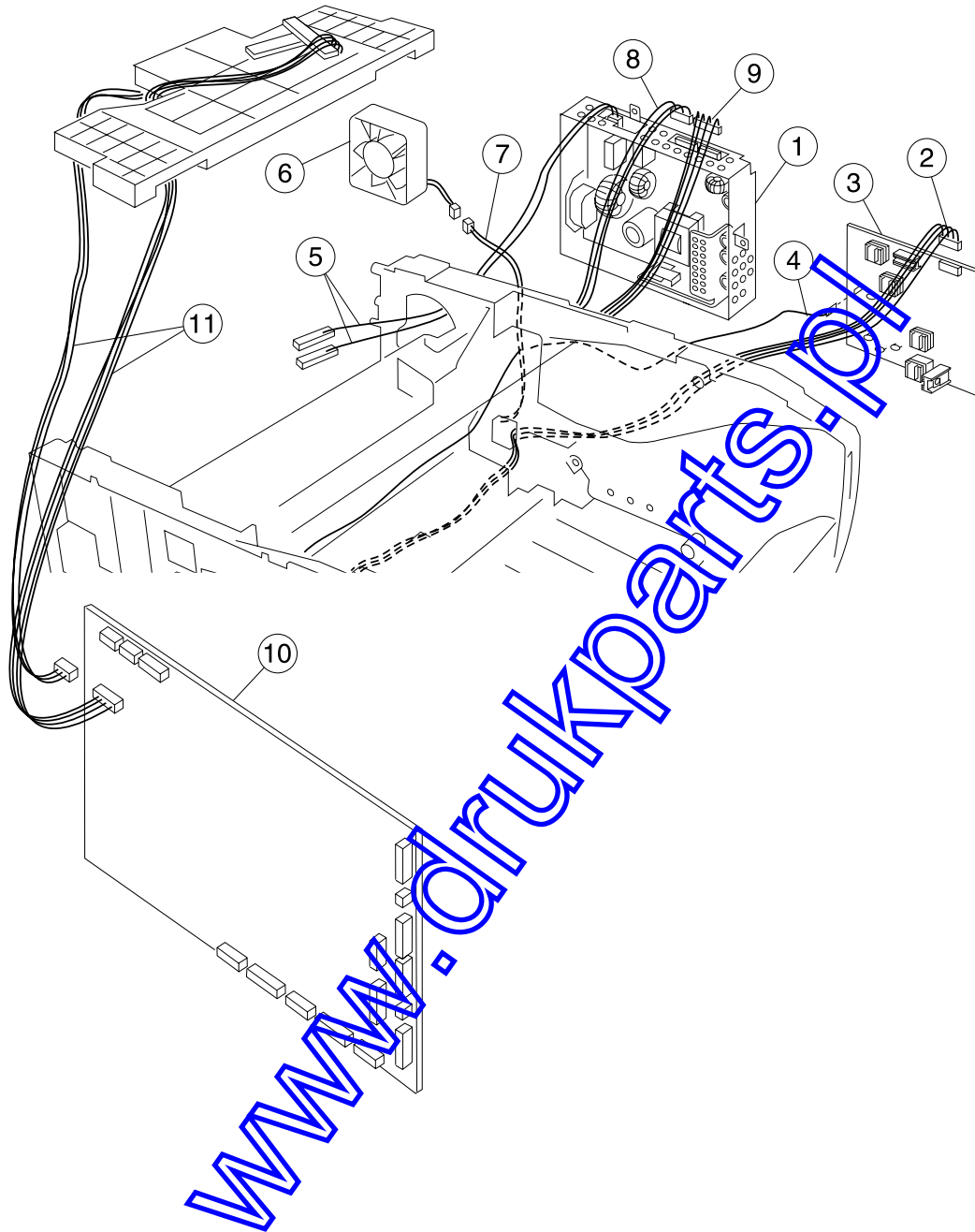


Assembly 3: Charging

Asm-Index	Part Numbers	Units	Description
3-1	56P0640	1	Roll, charge
2	56P0668	1	Parts pack, (screws and E-rings)
3	56P0669	1	Hinge, pivot (quantity 2)
4	56P0642	1	Guide assembly, right
5	56P0643	1	Assembly, transfer roll
6	56P0644	1	Bearings, transfer roll
7	56P0641	1	Guide assembly, left

www.drukparts.pl

Assembly 4: Electronics and cables

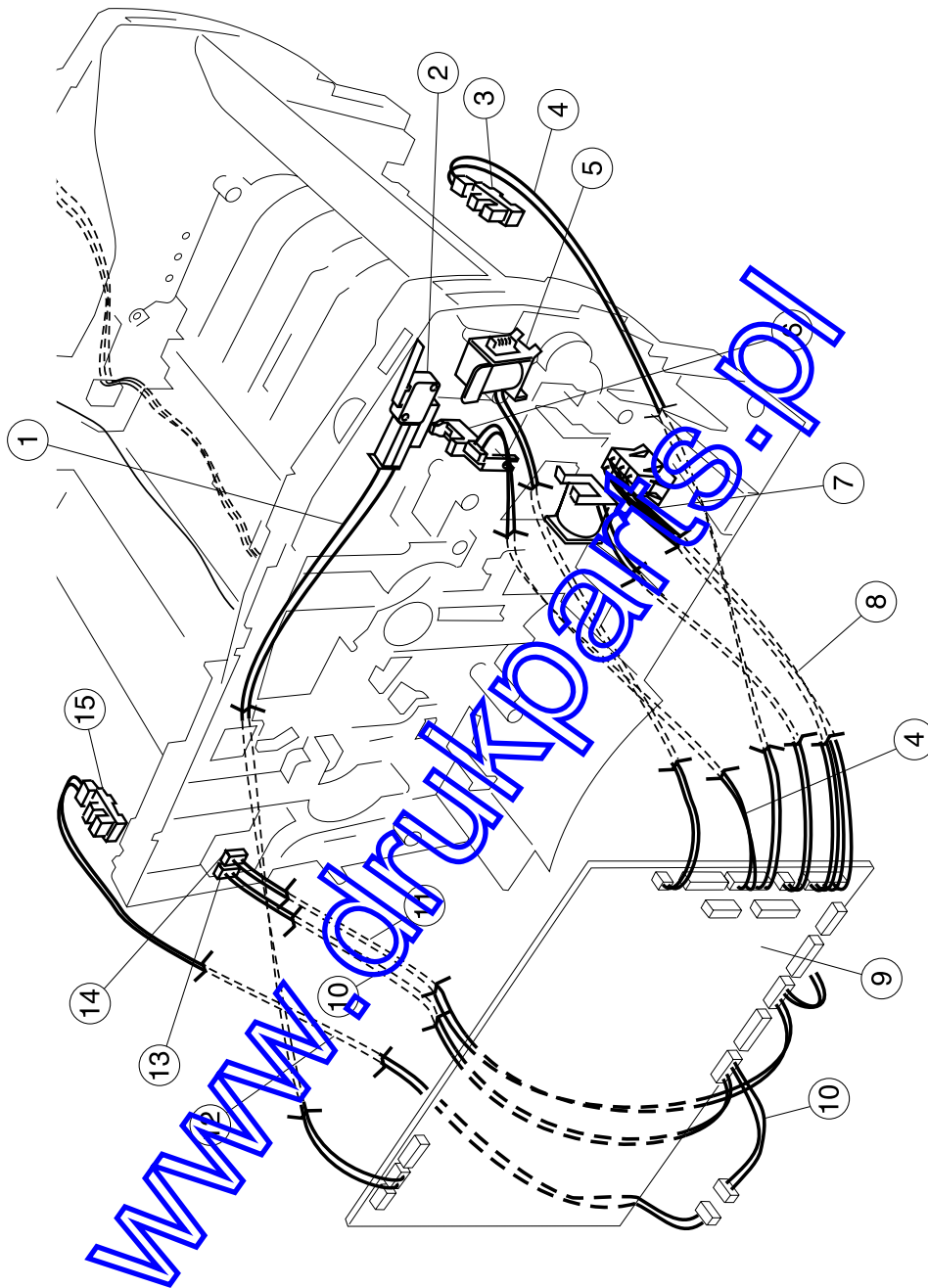


Assembly 4: Electronics and cables

Asm-Index	Part Numbers	Units	Description
4-1	56P2285	1	Power supply, 110 V
1	56P2284	1	Power supply, 220 V
2, 7, 8, 9	56P2273	1	Cable assembly, main harness Locations: 2. HVPS 7. Fan 8. LVPS Power 9. LVPS Control NS Paper-In, Duplex
3	56P0628	1	PS, high volt
4	56P0641	1	Guide assembly, left
5	56P0650	1	Cable assembly, LVPS to fuser
6	56P0630	1	Fan, cooling
10	56P2281	1	Card assembly, RIP (resistive)
10	56P2282	1	Card assembly, RIP (reactive)
11	56P0622	1	Cable assembly, printhead

Reactive	Australia, Austria, Belgium, Bulgaria, Denmark, Finland, France, Germany, Greece, Iceland, Ireland, Israel, Italy, Luxembourg, Netherlands, New Zealand, Norway, Portugal, Russia, Senegal, south Africa, Spain, Sweden, Switzerland, Turkey, UK
Resistive	US, Argentina, Brazil (HV), Brazil (LV), Canada, Chile, Colombia, Costa Rica, Dominican Republic, El Salvador, Ecuador, Guam, Guatemala, Honduras, Hong Kong, Malaysia, Mexico, Nicaragua, Panama, Paraguay, Peru, Poland, Puerto Rico, Singapore, Venezuela, Virgin Islands

Assembly 4 (cont.): Electronics and cables



Assembly 4 (cont.): Electronics and cables

Asm-Index	Part Numbers	Units	Description
1	56P0624	1	Cable assembly, cover switch
2	56P0625	1	Switch, interlock cover
3 and 4			Sensor and Cable included with P/N 56P0611 (lower MPF housing)
5 and 7	56P0616	2	Solenoid, paper feed
6	56P0653	1	Sensor, toner level
8	56P0631	1	Cable assembly, drawer
9	56P2281	1	Card assembly, RIP (resistive) (See page 7-9 for more information.)
9	56P2282	1	Card assembly, network RIP (reactive) (See page 7-9 for more information.)
10	56P0664	1	Cable assembly, output full (and fuser exit)
11	56P0652	1	Sensor, smart button
12	56P0682	1	Sensor cable, output full
13	56P0665	1	Connector, 3-pin
14	56P0666	1	Connector, 2-pin
15	56P0645	1	Sensor, photo
NS	56P0649	1	Cable assembly, fuser exit
NS	56P0620	1	Cable assembly, motor

7001-001

Assembly 4 (cont.): Electronics and cables

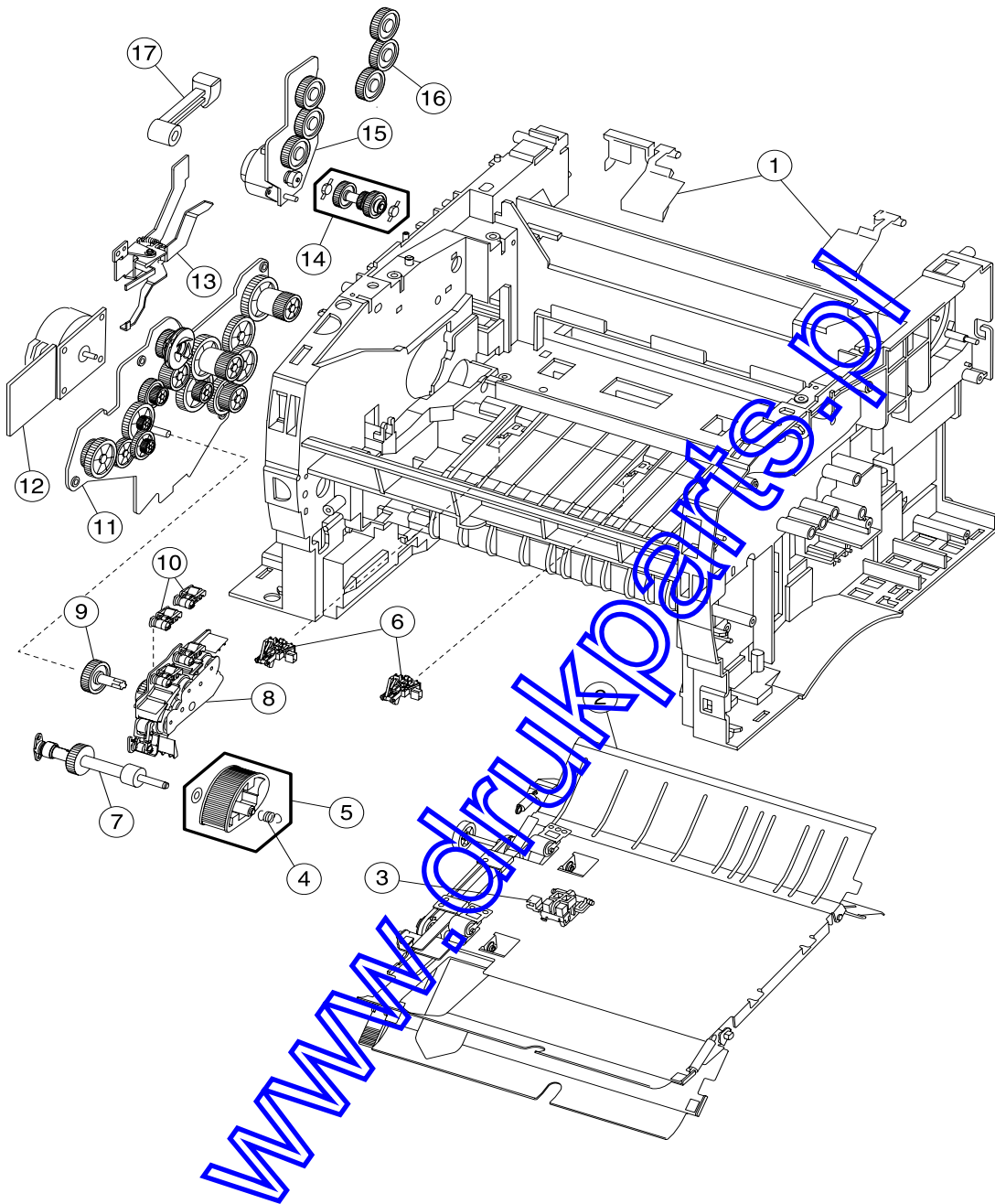
This page left intentionally blank.

www.drukparts.pl

Assembly 4 (cont.): Electronics and cables

Asm-Index	Part Numbers	Units	Description
NS	70G0478	1	Power cord, Bolivia, Canada, Caribbean Countries, Columbia, Costa Rica, Dominican Republic, Equador, El Salvador, Guatemala, Honduras, Japan, Mexico, Nicaragua, Peru, Panama, Puerto Rico, Saudi Arabia, Taiwan, The Virgin Islands, Venezuela, US, AP-LV
NS	1339528	1	Power cord, Bahrein, Cyprus, Iraq, Ireland, Kuwait, Oman, Qatar, UAE, UK, Yemen, (HV)
NS	1339529	1	Power cord, Austria, Belgium, Bosnia, Bulgaria, Catalan, Czech, Croatia, Egypt, Albania (Euro English and other East), Finland, France, Germany, Greece, Hungary, Iceland, Iran, Italy, Jordan, Lebanon, Macedonia, Netherlands, Norway, Paraguay, Poland, Portugal, Romania, Russia, and CIS, Slovak Countries, Slovenia, Spain, Sweden, Syria, Turkey, Yugoslavia (Serbia and Montenegro)(HV)
NS	1339530	1	Power cord, Israel (HV)
NS	1339531	1	Power cord, Switzerland (HV)
NS	1339532	1	Power cord, Libya, Pakistan, South Africa (HV)
NS	1339533	1	Power cord, Chile, Uruguay (HV)
NS	1339534	1	Power cord, Denmark (HV)
NS	1339545	1	Power cord, PR China (HV)
NS	1339548	1	Power cord, Brazil (LV)
NS	11D0330	1	Power cord, Argentina
NS	1339520	1	Power cord, U.S. (HV) RPQ

Assembly 5: Paper feed

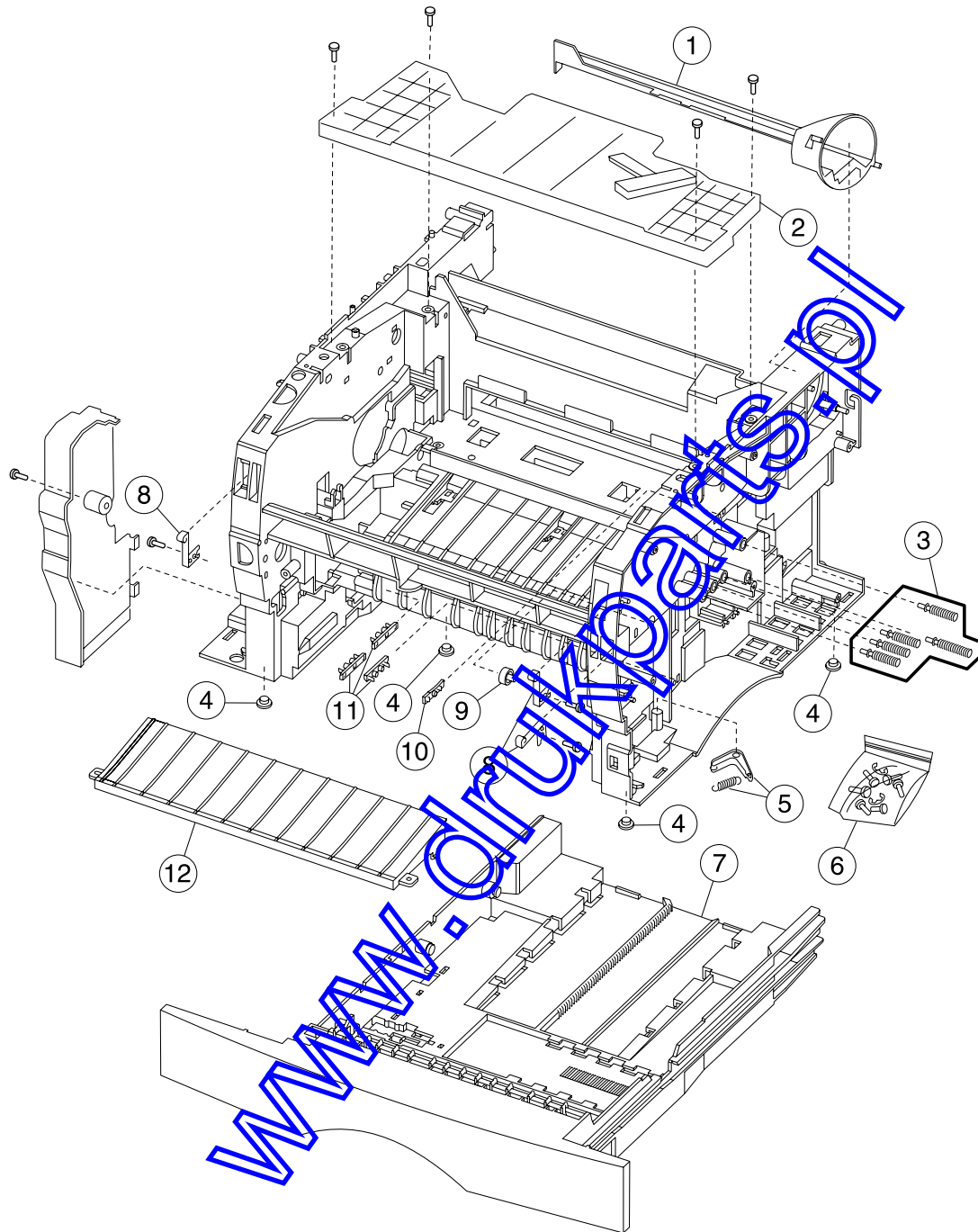


Assembly 5: Paper feed

Asm-Index	Part Numbers	Units	Description
5-1	56P0677	1	Flags, stack control
2	56P0651	1	Assembly, duplex
3	56P0645	1	Sensor, photo
4	56P0618	1	Spring, D-roll
5	56P0656	1	Roll, paper feed
6	56P0655	1	Bracket, paper sensor
7	56P0657	1	Assembly, paper feed
8	56P0654	1	Plate assembly
9	56P0634	1	Gear, paper feed
10	56P0693	1	Roller asm., reference backup (top front and rear)
11*	56P0633	1	Assembly, drive
12	56P0632	1	Motor assembly, main drive
13	56P0638	1	Coupling, cartridge
14*	56P0637	1	Drive, ratchet
15*	56P0635	1	Assembly, motor
16*	56P0636	1	Gears, spur
17	56P0639	1	Guide, link

www.druckparts.nl

Assembly 6: Frame

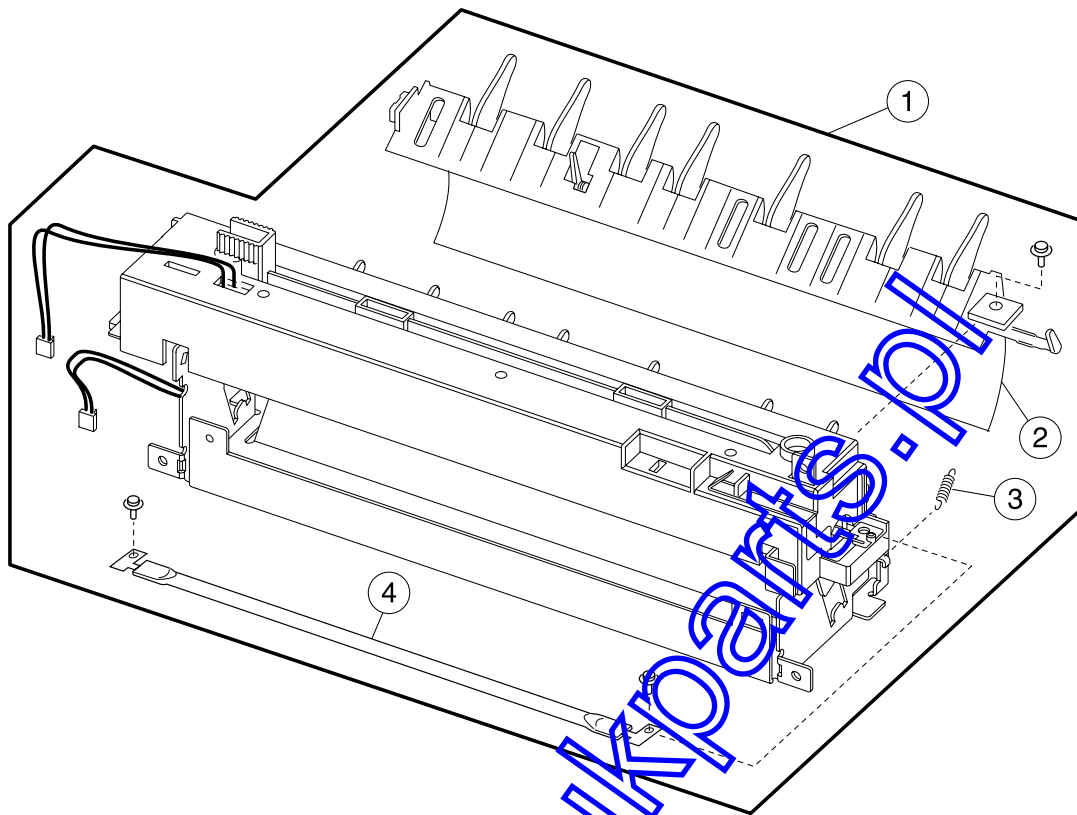


Assembly 6: Frame

Asm-Index	Part Numbers	Units	Description
6-1	56P0606	1	Duct, air
2	56P0623	1	Assembly, printhead
3	56P0629	1	Assembly, cartridge contacts (quantity 5)
4	56P0662	1	Feet, base
5	56P0661	1	Damper, tray
6	56P0668	1	Parts pack, (screws and E-rings)
7	56P0609	1	Assembly, tray 1
8	56P0667	1	Latch, door (3 latches)
9	56P0660	1	Roller, paper guide
10	56P0659	1	Bracket, shutter
11	56P0672	1	Bracket, body-tray
12	56P0658	1	Guide, entrance

* Order a lubricant to use with these gears, P/N 99A0394, (FRU, Nyogel 744). See [page 4-6](#) for more information.

Assembly 7: Fuser

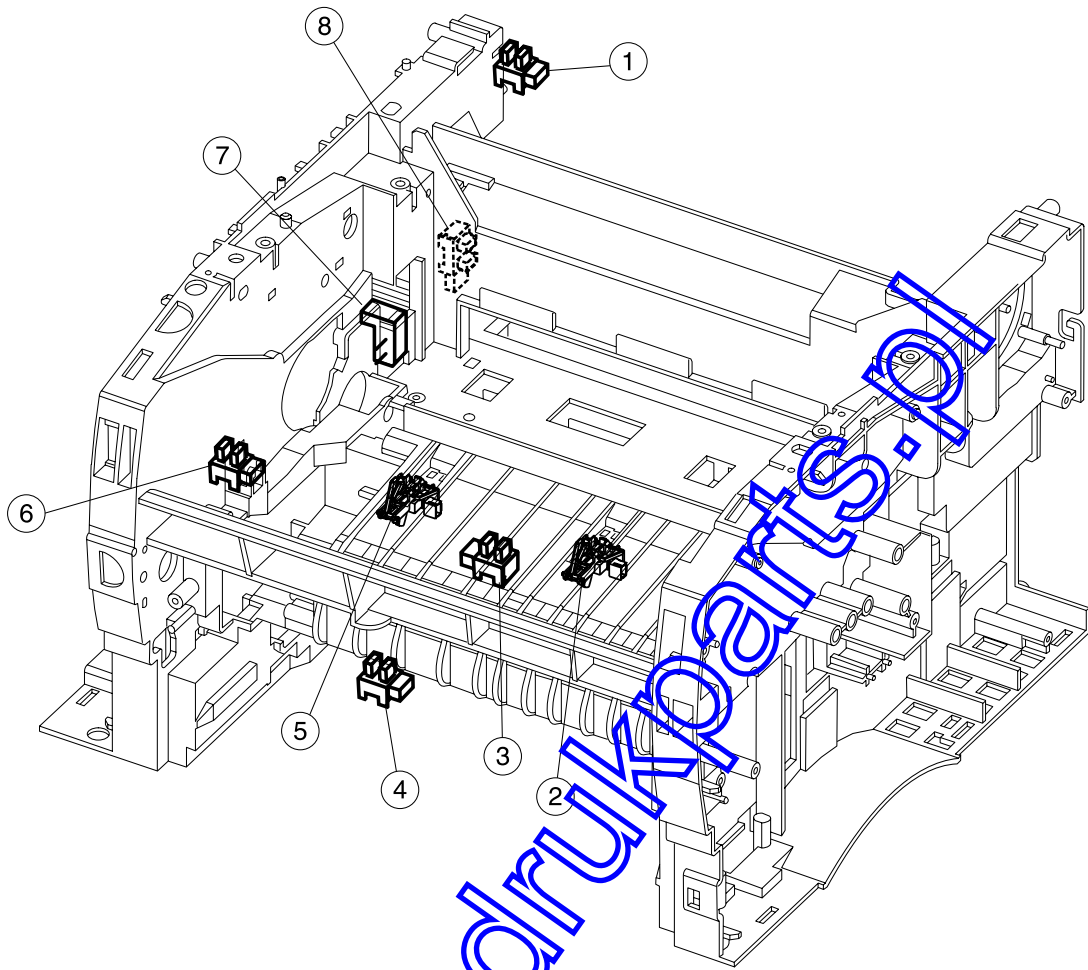


Assembly 7: Fuser

Asm-Index	Part Numbers	Units	Description
7-1	56P0648	1	Assembly, fuser (110 V)
1	56P0671	1	Assembly, fuser (220 V)
2	56P0673	1	Fuser assembly, paper guide
3	56P0676	1	Spring, fuser exit
4	56P0646	1	Lamp, fuser (110 V)
4	56P0647	1	Lamp, fuser (220 V)

www.drukparts.pl

Assembly 8: Sensors

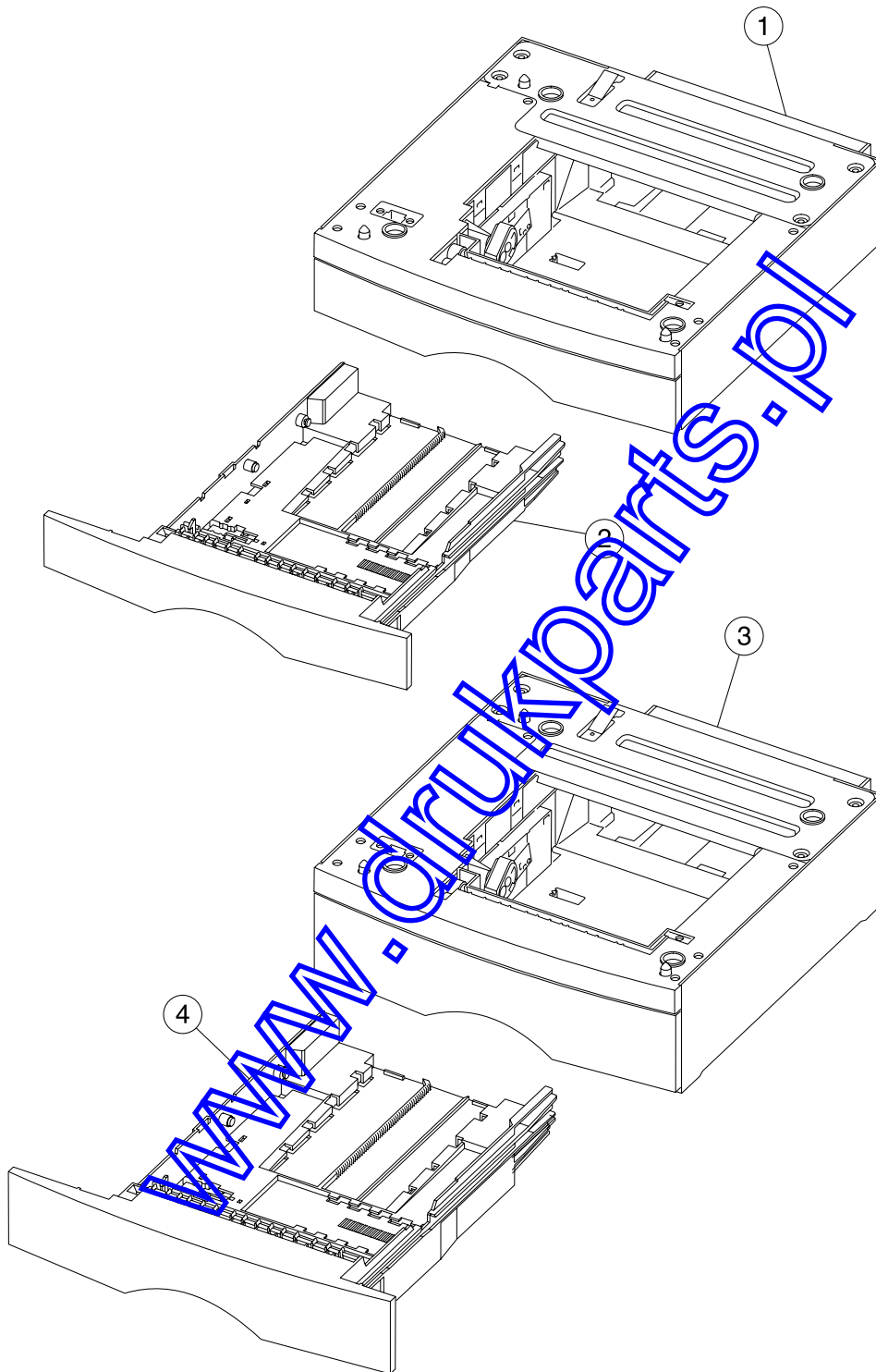


Assembly 8: Sensors and locations

Asm-Index	Part Numbers	Units	Description
8 1-5, 8	56P0645	1	Sensor, photo Locations: 1. Paper path exit flag 2. Narrow media 3. Paper path duplex 4. Paper path MPF 5. Paper path below cartridge 8. Fuser exit sensor
2, 5	56P0655	1	Bracket, paper sensor
6	56P0653	1	Sensor, toner level
7	56P0652	1	Sensor, smart button

www.drukparts.nl

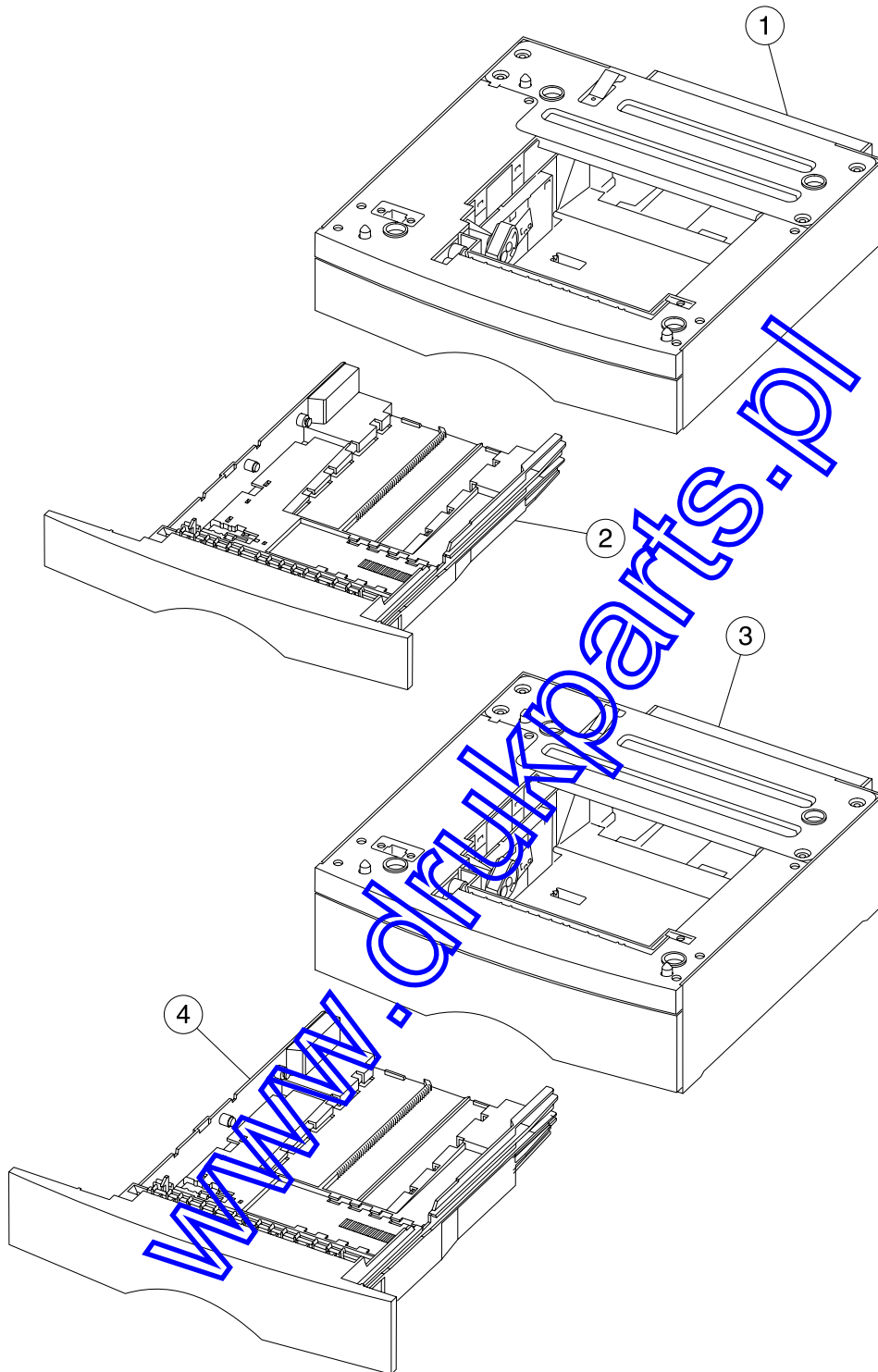
Assembly 9: Options



Assembly 9: Options

Asm-Index	Part Numbers	Units	Description
9-1	56P0674	1	Drawer assembly, 250-sheet
2	56P0609	1	Tray, 250-sheet
2	56P0681	1	Tray, 250-sheet label
3	56P0675	1	Drawer assembly, 500-sheet
4	56P0678	1	Tray, 500-sheet
NS	56P0694	1	DIMM, 4MB SDRAM
NS	56P0695	1	DIMM, 8MB SDRAM
NS	56P0696	1	DIMM, 16MB SDRAM
NS	56P0697	1	DIMM, 32MB SDRAM
NS	56P0698	1	DIMM, 64MB SDRAM
NS	56P0699	1	DIMM, 128MB SDRAM
NS	99A1757	1	DIMM, 2MB flash
NS	99A1758	1	DIMM, 4MB flash
NS	99A1759	1	DIMM, 8MB flash
NS	99A1774	1	DIMM, 16MB flash
NS	56P1418	1	DIMM, 32MB flash
NS	99A1683	1	DIMM, Optra Forms™ 2MB flash
NS	99A1684	1	DIMM, Optra Forms 4MB flash
NS	99A1685	1	DIMM, Optra Forms 8MB flash
NS	99A1686	1	DIMM, Optra Forms 16MB flash
NS	56P1427	1	DIMM, Optra Forms 32MB flash
NS	56P1248	1	DIMM, Japanese 8MB font
NS	56P1250	1	DIMM, Simplified Chinese font
NS	56P1251	1	DIMM, Traditional Chinese font
NS	56P1231	1	DIMM, Korean font
NS	12G9933	1	MarkNet™ X2011e Ethernet 10/100 BaseTX

Assembly 9 (cont.): Options

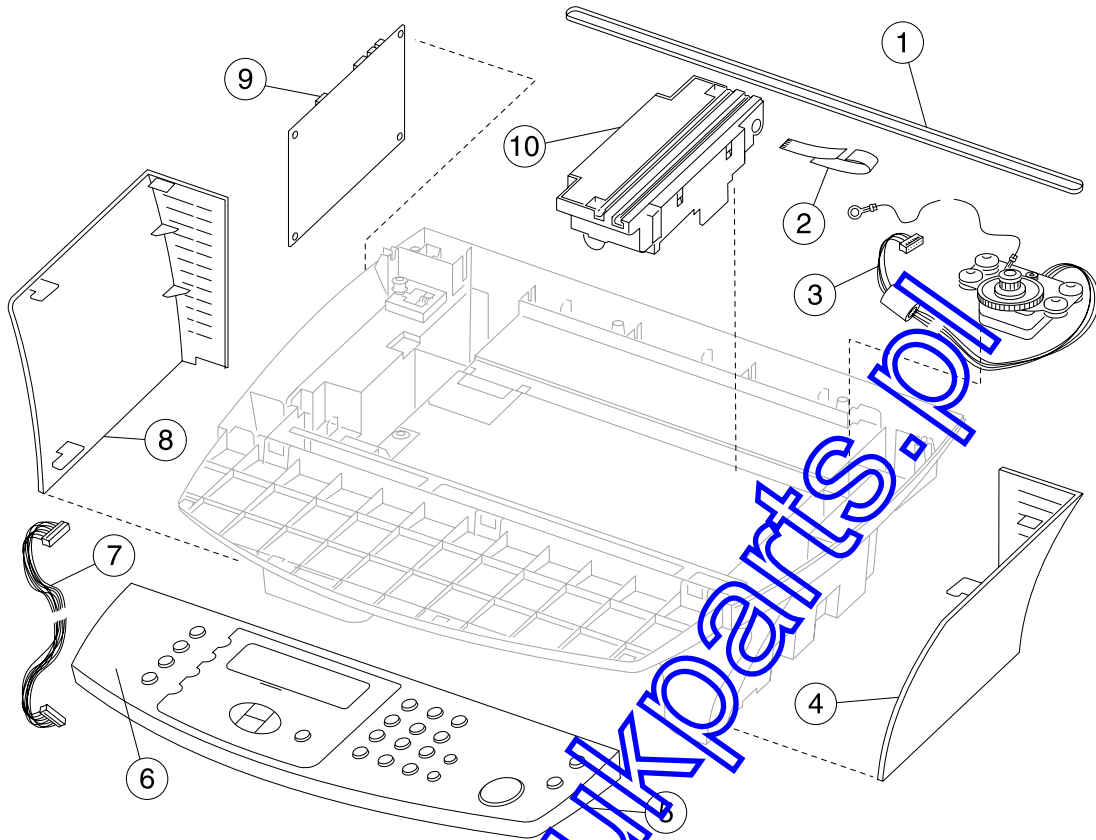


Assembly 9 (cont.): Options

Asm-Index	Part Numbers	Units	Description
NS	12G9832	1	MarkNet X2012e Ethernet 10/100 BaseTX/10Base2
NS	12G9831	1	MarkNet X2031e Ethernet 10/100 BaseTX
NS	12G9830	1	MarkNet X2030t Token-Ring
NS	99A0545	1	Adapter, external serial
NS	1329605	1	Cable, high-speed bidirectional parallel (10 ft)
NS	1427498	1	Cable, high-speed bidirectional parallel (20 ft)
NS	12A2405	1	Cable, USB 2-meter
NS	1038693	1	Cable, serial (50 ft)
NS	7370971	1	Kit, field relocation

www.druckparts.com

Assembly 10: Scanner base

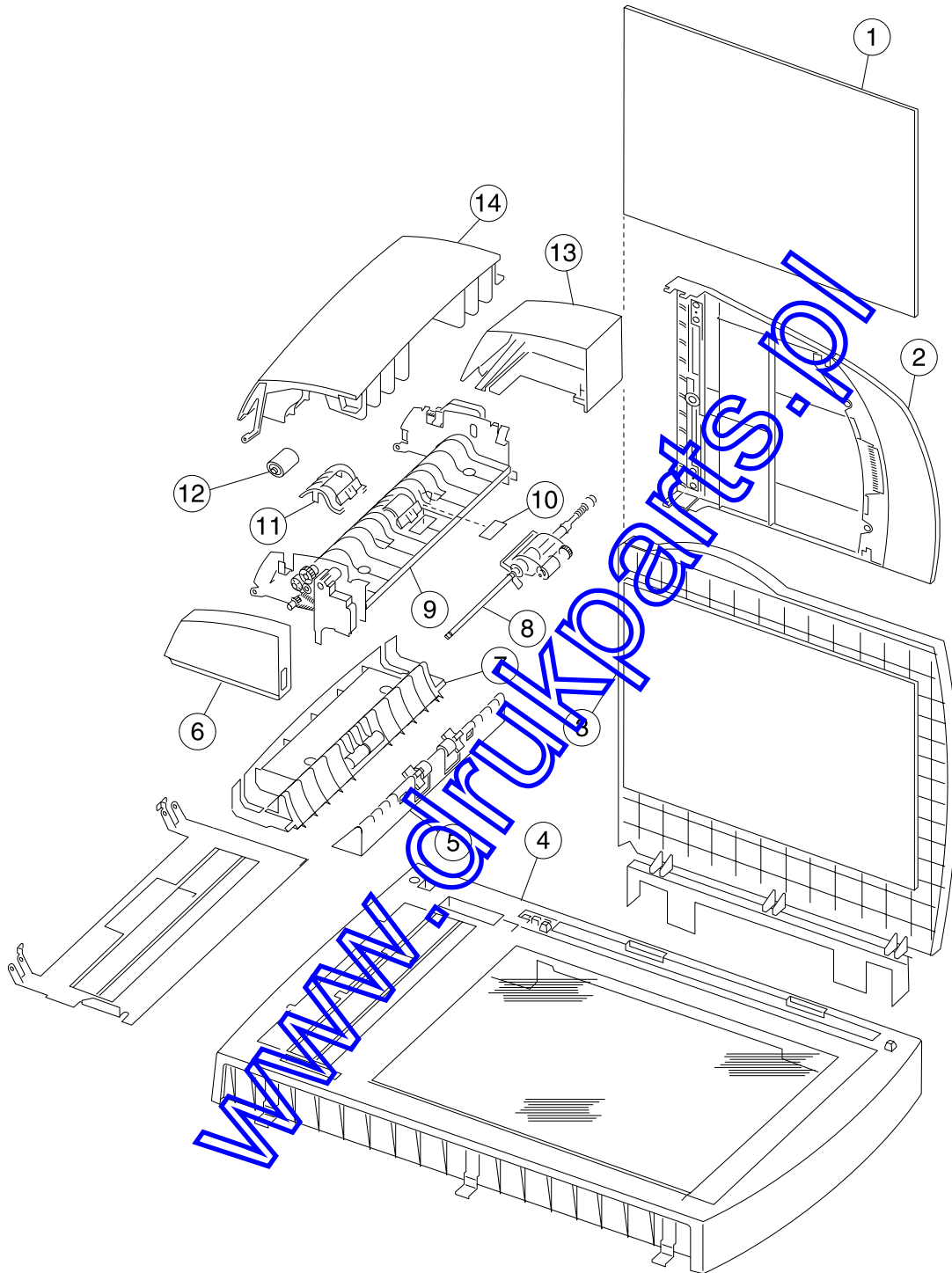


Assembly 10: Scanner base

Asm-Index	Part Numbers	Units	Description
10-1	56P2269	1	Belt, timing
2	56P2278	1	Cable, CCD-SCU
3	56P2272	1	Motor assembly, flatbed with cable
4	56P2267	1	Cover, right scanner
5	56P2261	1	Panel, operator
6	56P2286	1	Overlay, operator panel (FIGSD)
6	56P2287	1	Overlay, operator panel (DNSFBP)
7	56P2276	1	Cable, OPU-RIP
8	56P2268	1	Cover, left scanner
9	56P2271	1	Card, SCU
10	56P2270	1	Carriage, CCD

www.drukparts.pl

Assembly 11: Scanner top

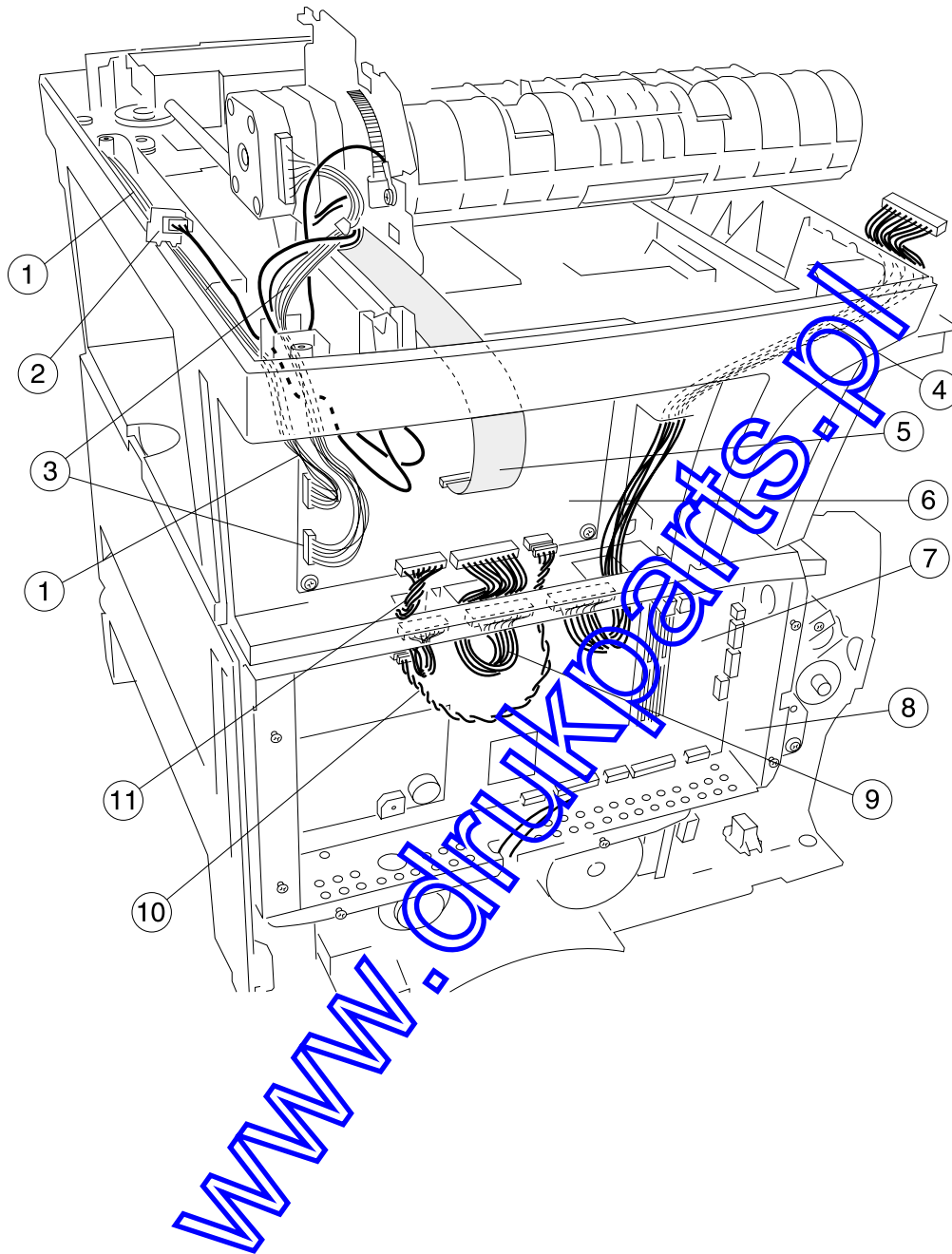


Assembly 11: Scanner top

Asm-Index	Part Numbers	Units	Description
11-1	56P2266	1	Cushion, scan cover
2	56P2263	1	Tray assembly, document
3	56P2264	1	Cover, flatbed
4	56P2262	1	Cover, scanner
5	56P2251	1	Idler, R2
6	56P2260	1	Cover, ADF left
7	56P2250	1	Idler, R1
8	56P2274	1	Roller assembly, ADF pick
9	56P2252	1	Feeder assembly, auto document
10	56P2255	1	Pad, pick
11	56P2254	1	Cover, separator
12	56P2253	1	Roller assembly, separator
13	56P2259	1	Cover, ADF right
14	56P2256	1	Cover, ADF upper

www.druckarts.pl

Assembly 12: Scanner cables



Part number index

P/N	Description	Page
1038693	Cable, serial (50 ft)	7-23
11D0330	Power cord, Argentina	7-13
12A2405	Cable, USB 2-meter	7-23
12G9830	MarkNet X2030t Token-Ring	7-23
12G9831	MarkNet X2031e Ethernet 10/100 BaseTX	7-23
12G9832	MarkNet X2012e Ethernet 10/100 BaseTX/10Base2	7-23
12G9833	MarkNet X2011e Ethernet 10/100 BaseTX	7-23
1329605	Cable, high-speed bidirectional parallel (10 ft)	7-23
1339520	Power cord, U.S. (HV) RPQ	7-13
1339528	Power cord - see listing in parts catalog	7-13
1339529	Power cord - see listing in parts catalog	7-13
1339530	Power cord, Israel (HV)	7-13
1339531	Power cord, Switzerland (HV)	7-13
1339532	Power cord, Libya, Pakistan, South Africa (HV)	7-13
1339533	Power cord, Chile, Uruguay (HV)	7-13
1339534	Power cord, Denmark (HV)	7-13
1339548	Power cord, Brazil (LV)	7-13
1427498	Cable, high-speed bidirectional parallel (20 ft)	7-23
43H5545	Power cord, PR China (HV)	7-13
56P0600	Cover assembly, left	7-3
56P0603	Cover assembly, duct	7-3
56P0606	Duct, air	7-17
56P0607	Door assembly, rear exit	7-3
56P0609	Assembly tray 1	7-17
56P0609	Tray, 250-sheet	7-23
56P0610	Cover assembly, MPF door	7-3
56P0611	Housing assembly, lower (MPF)	7-5
56P0611	Sensor and cable included with	7-11
56P0611	Sensor and Cable Included with P/N 56P0611	5-3
56P0612	Housing assembly, upper (MPF)	7-5
56P0614	Gear, MPF paper pick	7-5
56P0615	Cap, MPF paper feed cover	7-5
56P0616	Solenoid, paper feed	7-11
56P0618	Spring, D-roll	7-15
56P0620	Cable assembly, motor	7-11
56P0622	Cable assembly, printhead	7-9

7001-001

56P0623	Assembly, printhead	7-17
56P0624	Cable assembly, cover switch	7-11
56P0625	Switch, interlock cover	7-11
56P0628	PS, high volt	7-9
56P0629	Assembly, cartridge contacts (quantity 5)	7-17
56P0630	Fan, cooling	7-9
56P0631	Cable assembly, drawer	7-11
56P0632	Motor assembly, main drive	7-15
56P0633	Assembly, drive	7-15
56P0634	Gear, paper feed	7-15
56P0635	Assembly, motor	4-8, 7-15
56P0636	Gears, spur	4-8, 7-15
56P0637	Drive, ratchet	4-7, 7-15
56P0638	Coupling, cartridge	7-15
56P0639	Guide, link	7-15
56P0640	Roll, charge	7-7
56P0641	Guide assembly, left	7-7, 7-9
56P0642	Guide assembly, right	7-7
56P0643	Assembly, transfer roll	7-7
56P0644	Bearings, transfer roll	7-7
56P0645	Sensor, photo	7-11, 7-15, 7-21, 7-29
56P0646	Lamp, fuser (110 V)	7-19
56P0647	Lamp, fuser (220 V)	7-19
56P0648	Assembly, fuser (110 V)	7-19
56P0649	Cable assembly, fuser exit	7-11
56P0650	Cable assembly, LVPS to fuser	7-9
56P0651	Assembly, duplex	7-15
56P0652	Sensor, smart button	7-11, 7-21
56P0653	Sensor, toner level	7-11, 7-21
56P0654	Plate assembly	7-15
56P0655	Bracket, paper sensor	7-15, 7-21
56P0656	Roll, paper feed	7-15
56P0657	Assembly, paper feed	7-15
56P0658	Guide, entrance	7-17
56P0659	Bracket, shutter	7-17
56P0660	Roller, paper guide	7-17
56P0661	Damper, tray	7-17
56P0662	Feet, base	7-17
56P0664	Cable assembly, output full (and fuser exit)	7-11
56P0665	Connector, 3-pin	7-11
56P0666	Connector, 2-pin	7-11
56P0667	Latch, door 3 latches)	7-17
56P0668	Parts pack, (screws and E-rings)	7-7, 7-17
56P0669	Hinge, pivot (quantity 2)	7-7
56P0671	Assembly, fuser (220 V)	7-19
56P0672	Bracket, body-tray	7-17
56P0673	Fuser assembly, paper guide	7-19

56P0674	Drawer assembly, 250-sheet	7-23
56P0675	Drawer assembly, 500-sheet	7-23
56P0676	Spring, fuser exit	7-19
56P0677	Flags, stack control	7-15
56P0678	Tray, 500-sheet	7-23
56P0680	Flap, paper holder	7-3
56P0681	Tray, 250-sheet label	7-23
56P0682	Sensor cable, output full	7-11
56P0693	Roller asm., reference backup (top front and rear)	7-15
56P0694	DIMM, 4MB SDRAM	7-23
56P0695	DIMM, 8MB SDRAM	7-23
56P0696	DIMM 16MB SDRAM	7-23
56P0697	DIMM, 32MB SDRAM	7-23
56P0698	DIMM, 64MB SDRAM	7-23
56P0699	DIMM, 128MB SDRAM	7-23
56P1248	DIMM, Japanese 8MB font	7-23
56P1250	DIMM, Simplified Chinese font	7-23
56P1251	DIMM, Traditional Chinese font	7-23
56P1418	DIMM, 32MB flash	7-23
56P1427	DIMM, Optra Forms 32MB flash	7-23
56P2181	Assembly, roller (MPF)	7-5
56P2231	DIMM, Korean font	7-23
56P2250	Idler, R1	7-29
56P2251	Idler, R2	7-29
56P2252	Feeder assembly, auto document	7-29
56P2253	Roller assembly, separator	7-29
56P2254	Cover, separator	7-29
56P2255	Pad, pick	7-29
56P2256	Cover, ADF upper	7-29
56P2257	Cover assembly, right	7-3
56P2258	Cover assembly, top	7-3
56P2259	Cover, ADF right	7-29
56P2260	Cover, ADF left	7-29
56P2261	Panel, operator	7-27
56P2262	Cover, scanner	7-29
56P2263	Tray assembly, document	7-29
56P2264	Cover, flatbed	7-29
56P2265	Cover assembly, front with display (with logo)	7-3
56P2266	Cushion, scan cover	7-29
56P2267	Cover, right scanner	7-27
56P2268	Cover, left scanner	7-27
56P2269	Belt, timing	7-27
56P2270	Carriage, CCD	7-27

7001-001

56P2271	Card, SCU	7-27, 7-31
56P2272	Motor assembly, flatbed with cable	7-27, 7-31
56P2273	Cable assembly, main harness	7-9
56P2274	Roller assembly, ADF pick	7-29
56P2275	Cable assembly, SCU-RIP	7-31
56P2276	Cable assembly, OPU-RIP	7-31
56P2276	Cable, OPU-RIP	7-27
56P2277	Cable assembly, SCU AFE-RIP	7-31
56P2278	Cable assembly, SCU-CCD	7-31
56P2278	Cable, CCD-SCU	7-27
56P2281	Card assembly, RIP (resistive)	7-9, 7-11
56P2281	Card, RIP-NSA (resistive)	7-31
56P2282	Card assembly, network RIP (reactive)	7-11
56P2282	Card assembly, RIP (reactive)	7-9
56P2282	Card, RIP-EU (reactive)	7-31
56P2283	Cage, card	7-31
56P2284	Power supply, 220 V	7-9
56P2285	Power supply, 110 V	7-9
56P2286	Overlay, operator panel (FIGSD)	7-27
56P2287	Overlay, operator panel (DNSFBP)	7-27
56P2508	Cover assembly, rear	7-3
56P2517	Cable assembly, power SCU-RIP	7-31
56P2539	Motor assembly, ADF with cable to SCU	7-31, 1-1
70G0478	Power cord - see listing in parts catalog	7-13
7370971	Kit, field relocation	7-25
99A0545	Adapter, external serial	7-25
99A1683	DIMM, Optra Forms 2MB flash	7-23
99A1684	DIMM, Optra Forms 4MB flash	7-23
99A1685	DIMM, Optra Forms 8MB flash	7-23
99A1686	DIMM, Optra Forms 16MB flash	7-23
99A1757	DIMM, 2MB flash	7-23
99A1758	DIMM, 4MB flash	7-23
99A1759	DIMM, 8MB flash	7-23
99A1774	DIMM, 16MB flash	7-23