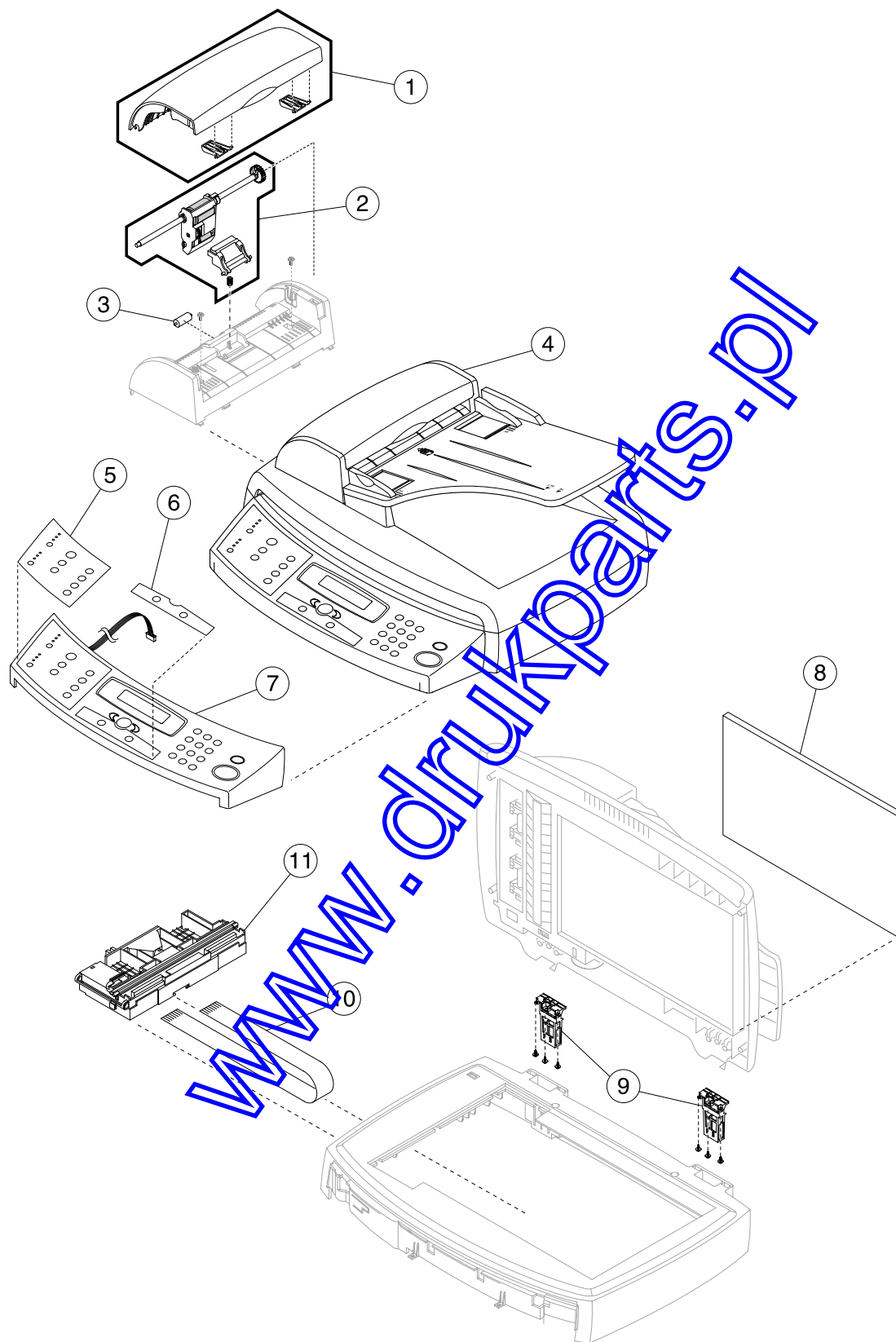

7. Parts catalog

How to use this parts catalog

- **SIMILAR ASSEMBLIES:** If two assemblies contain a majority of identical parts, they are shown on the same list. Common parts are shown by one index number. Parts peculiar to one or the other of the assemblies are listed separately and identified by description.
- **NS: (Not Shown)** in the Asm-Index column indicates that the part is procurable but is not pictured in the illustration.
- **PP: (Parts Packet)** in the Description column indicates the part is contained in a parts packet.

www.drukparts.pl

Assembly 1: Scanner assembly



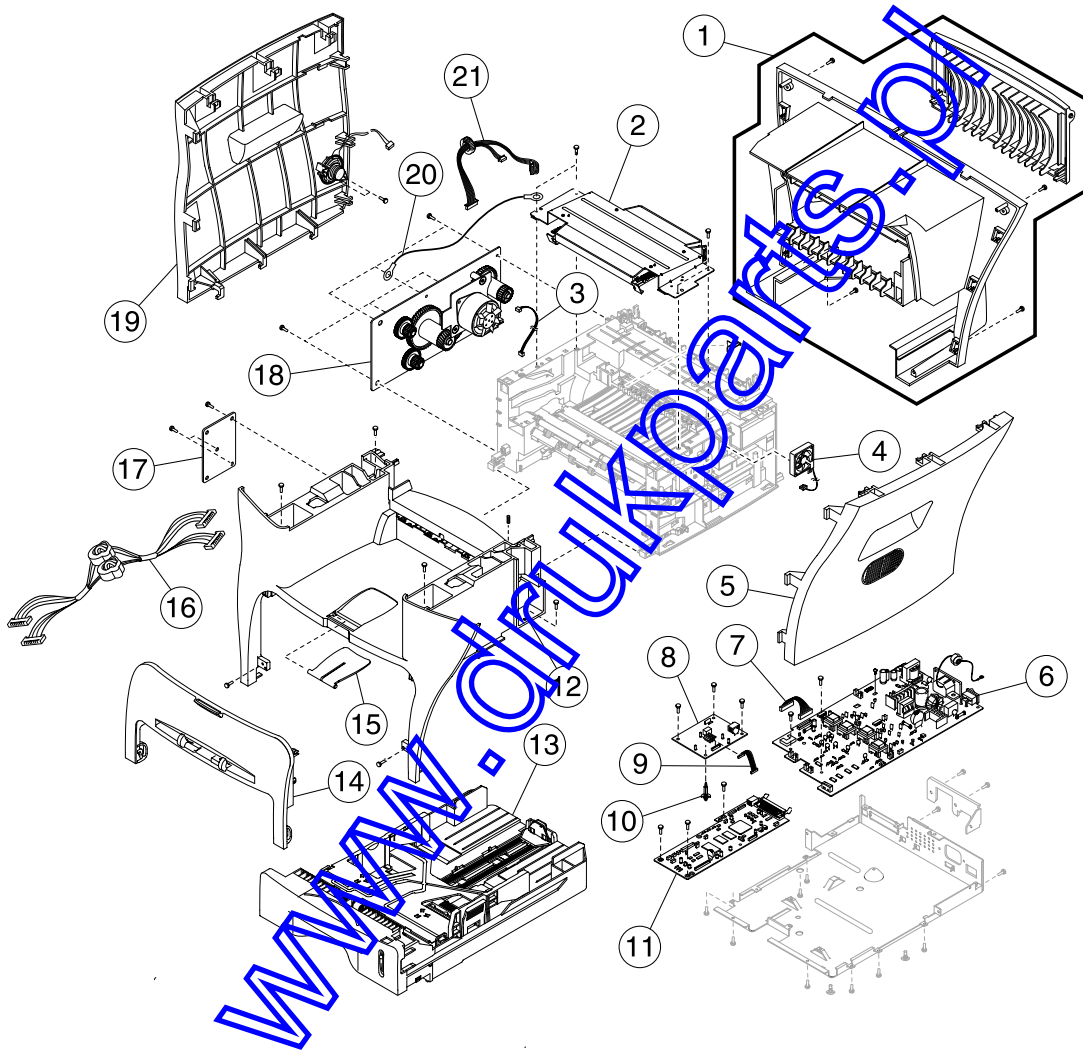
www.drukparts.pl

Assembly 1: Scanner assembly

Index	P/N	Units	Description
1—1	56P1931	1	Cover asm, ADF access
2	56P1923	1	Kit asm, ADF pick roll/pad
3	56P1922	1	Roller, ADF idler
4	56P1983	1	Scanner, complete
5	56P1936	1	Overlay, main
6	56P1935	1	Overlay, menu/select/return
7	56P1934	1	Panel asm, operator
8	56P1932	1	Cushion, document cover
9	56P1933	2	Hinge, document cover
10	56P1941	1	Cable, CCD
11	56P1940	1	Module asm, CCD

www.drukparts.nl

Assembly 2: Main assembly

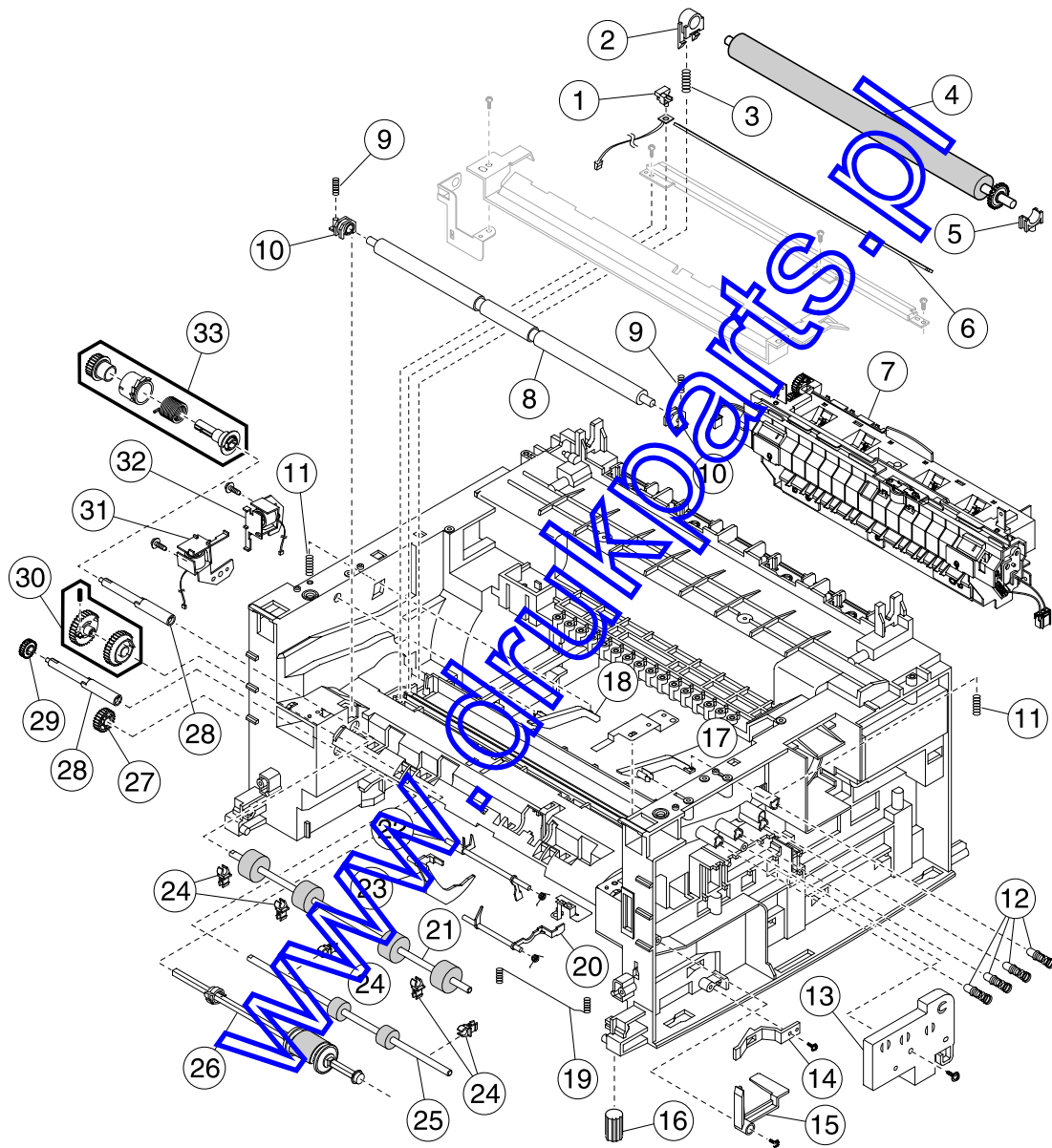


Assembly 2: Main assembly

Index	P/N	Units	Description
2-1	56P1914	1	Cover asm, rear
2	56P1902	1	Printhead, complete
3	56P1916	1	Cable, main drive motor
4	56P1915	1	Fan, cooling
5	56P1913	1	Cover, right
6	56P1904	1	Card asm, LVPS/HVPS - 110 V
6	56P1905	1	Card asm, LVPS/HVPS - 220 V
6	56P2028	1	Card asm, LVPS/HVPS - 240 V
7	56P1906	1	Cable, system to power supply
8	56P1918	1	Card asm, modem (Americas)
8	56P1986	1	Card asm, modem (West Europe)
8	56P1987	1	Card asm, modem (S. Africa)
8	56P1988	1	Card asm, modem (Asia)
8	56P1989	1	Card asm, modem (Australia)
9	56P1984	1	Cable, modem card to system
10	56P1919	1	Standoff, modem card
11	*56P2416	1	Card asm, system
12	56P1908	1	Cover asm, middle
13	56P1911	1	Tray asm, paper
14	56P1910	1	Cover asm, cartridge access
15	56P1909	1	Extender, output bin
16	*56P2418	1	Cable, scanner to system
17	*56P2417	1	Card asm, scanner
18	56P1901	1	Drive asm, main
19	56P1912	1	Cover, left, w/speaker
20	56P1985	1	Cable, main drive ground
21	56P1903	1	Cable, printhead

* **Note:** Whenever a part is replaced in a machine with serial number below S8374290, all three parts must be replaced at the same time.

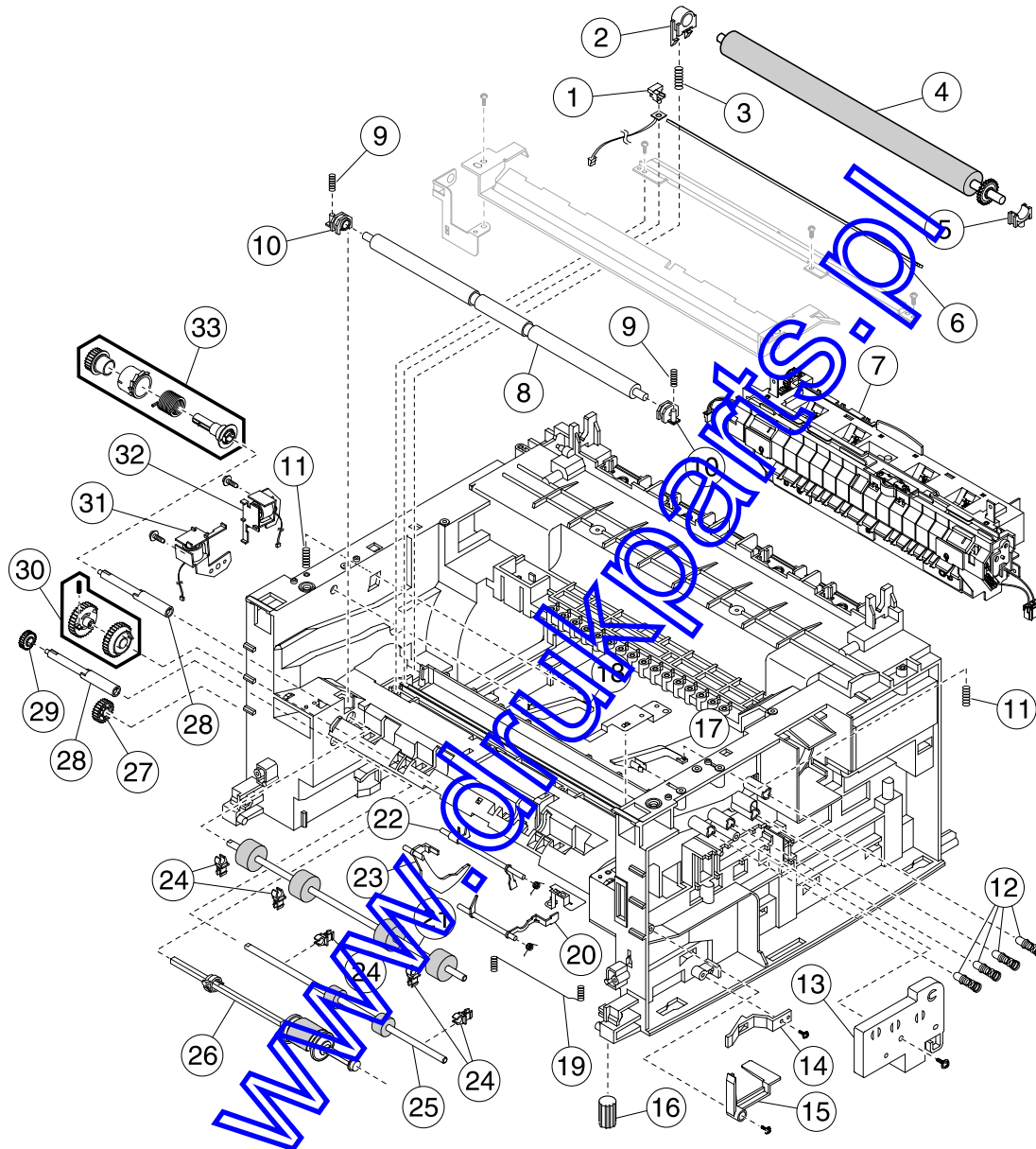
Assembly 3: Frame assembly



Assembly 3: Frame assembly

Index	P/N	Units	Description
3-1	56P1963	1	LED, pre-transfer
2	56P1965	1	Bearing, left transfer roller
3	56P1966	1	Spring, transfer roll bearing
4	56P1917	1	Roller asm, transfer
5	56P1967	1	Bearing, right transfer roller
6	56P1964	1	Lens, pre-transfer LED
7	56P1979	1	Fuser, complete, 110 V
7	56P1980	1	Fuser, complete, 220 V
7	56P1990	1	Fuser, complete, 240 V
8	56P1968	1	Roller, registration
9	56P1970	2	Spring, registration roller
10	56P1969	2	Bearing, registration roller
11	56P1953	2	Spring, cartridge latch
12	56P1948	4	Contact, high voltage
13	56P1949	1	Cover, HV contact
14	56P1950	1	Latch, paper tray
15	56P1951	1	Actuator, cover open
16	56P1947	2	Foot, rubber
17	56P1952	1	Latch, right cartridge
18	56P1954	1	Latch, left cartridge
19	56P1958	1	Contact, transfer roll
20	56P1957	1	Actuator, manual paper feed
21	56P1959	1	Roller, main paper feed
22	56P1955	1	Actuator, paper feed
23	56P1956	1	Actuator, paper empty
24	56P1960	5	Bearing, feed roller
25	56P1961	1	Roller, paper tray feed
26	56P1962	1	Roller asm, paper tray pick
27	56P1978	1	Gear, roller idler
28	56P1976	2	Coupling, shaft
29	56P1977	1	Gear, registration roller
30	56P1973	1	Gear asm, pick roll
31	56P1972	1	Solenoid, main paper feed
32	56P1971	1	Solenoid, paper tray pick roll

Assembly 3 (cont.): Frame assembly



Assembly 3 (cont.): Frame assembly

Index	P/N	Units	Description
33	56P1975	1	Clutch asm, main paper feed
NS	1339526	1	Line cord, US, Canada, Mexico, Costa Rica, Guatemala, Panama, Puerto Rico, Honduras, Nicaragua, El Salvador, Dominican Republic
NS	1339527	1	Line cord, Australia, New Zealand
NS	1339528	1	Line cord, Hong Kong, Malaysia, Singapore, Ireland, UK
NS	1339529	1	Line cord, Austria, Belgium, Czech/Slav, Finland, France, Germany, Greece, Hungary, Iceland, Italy, Luxembourg, Netherlands/Holland, Norway, Poland, Portugal, Russia, Spain, Sweden, Turkey, Brazil (HV) Paraguay
NS	1339531	1	Line cord, Switzerland
NS	1339532	1	Line cord, Sri Lanka, South Africa
NS	1339533	1	Line cord, Chile, Uruguay
NS	1339534	1	Line cord, Denmark
NS	1339544	1	Line cord, Argentina
NS	1339548	1	Line cord, Brazil (LV)
NS	43H5545	1	Line cord, China
NS	7372151	1	Packaging, field relocation

www.druckers.nl