

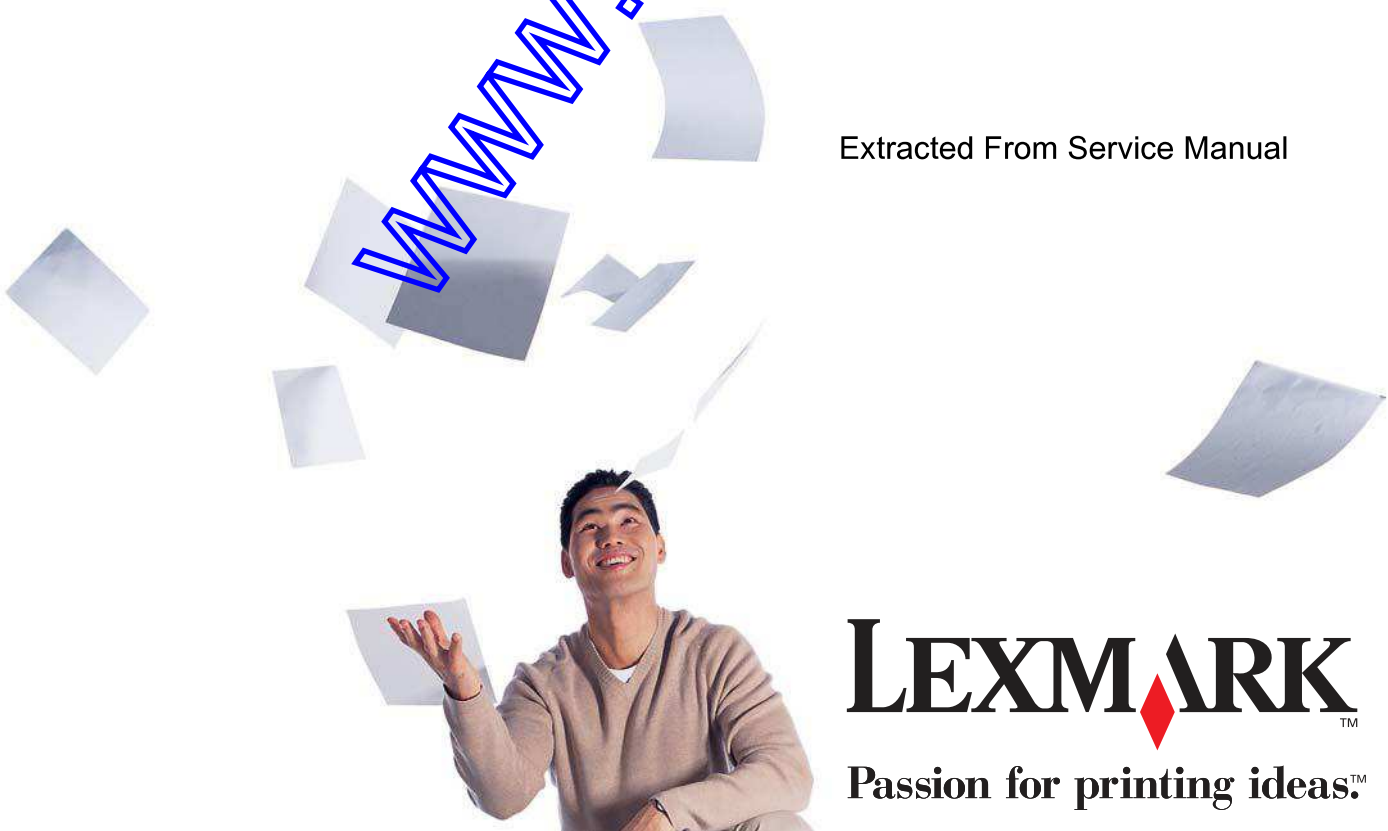
Parts Breakdown

Lexmark X125

4412-00x

www.drukparts.pl

Extracted From Service Manual



LEXMARKTM

Passion for printing ideas.TM

4412-00X

Edition: November 2002

The following paragraph does not apply to any country where such provisions are inconsistent with local law: LEXMARK INTERNATIONAL, INC. PROVIDES THIS PUBLICATION "AS IS" WITHOUT WARRANTY OF ANY KIND, EITHER EXPRESS OR IMPLIED, INCLUDING, BUT NOT LIMITED TO, THE IMPLIED WARRANTIES OF MERCHANTABILITY OR FITNESS FOR A PARTICULAR PURPOSE. Some states do not allow disclaimer of express or implied warranties in certain transactions; therefore, this statement may not apply to you.

This publication could include technical inaccuracies or typographical errors. Changes are periodically made to the information herein; these changes will be incorporated in later editions. Improvements or changes in the products or the programs described may be made at any time.

Comments may be addressed to Lexmark International, Inc., Department E-22A/032-2, 740 West New Circle Road, Lexington, Kentucky 40550, U.S.A or e-mail at ServiceInfoAndTraining@Lexmark.com. Lexmark may use or distribute any of the information you supply in any way it believes appropriate without incurring any obligation to you. You can purchase additional copies of publications related to this product by calling 1-800-553-9727. In other countries, contact your point of purchase.

Lexmark and Lexmark with diamond design are trademarks of Lexmark International, Inc., registered in the United States and/or other countries.

Other trademarks are the property of their respective owners.

© Copyright Lexmark International, Inc. 2002.

All rights reserved.

UNITED STATES GOVERNMENT RESTRICTED RIGHTS

This software and documentation are provided with RESTRICTED RIGHTS. Use, duplication or disclosure by the Government is subject to restrictions as set forth in subparagraph (c)(1)(ii) of the Rights in Technical Data and Computer Software clause at DFARS 252.227-7013 and in applicable FAR provisions: Lexmark International, Inc., Lexington, KY 40550.

P/N 12G9185

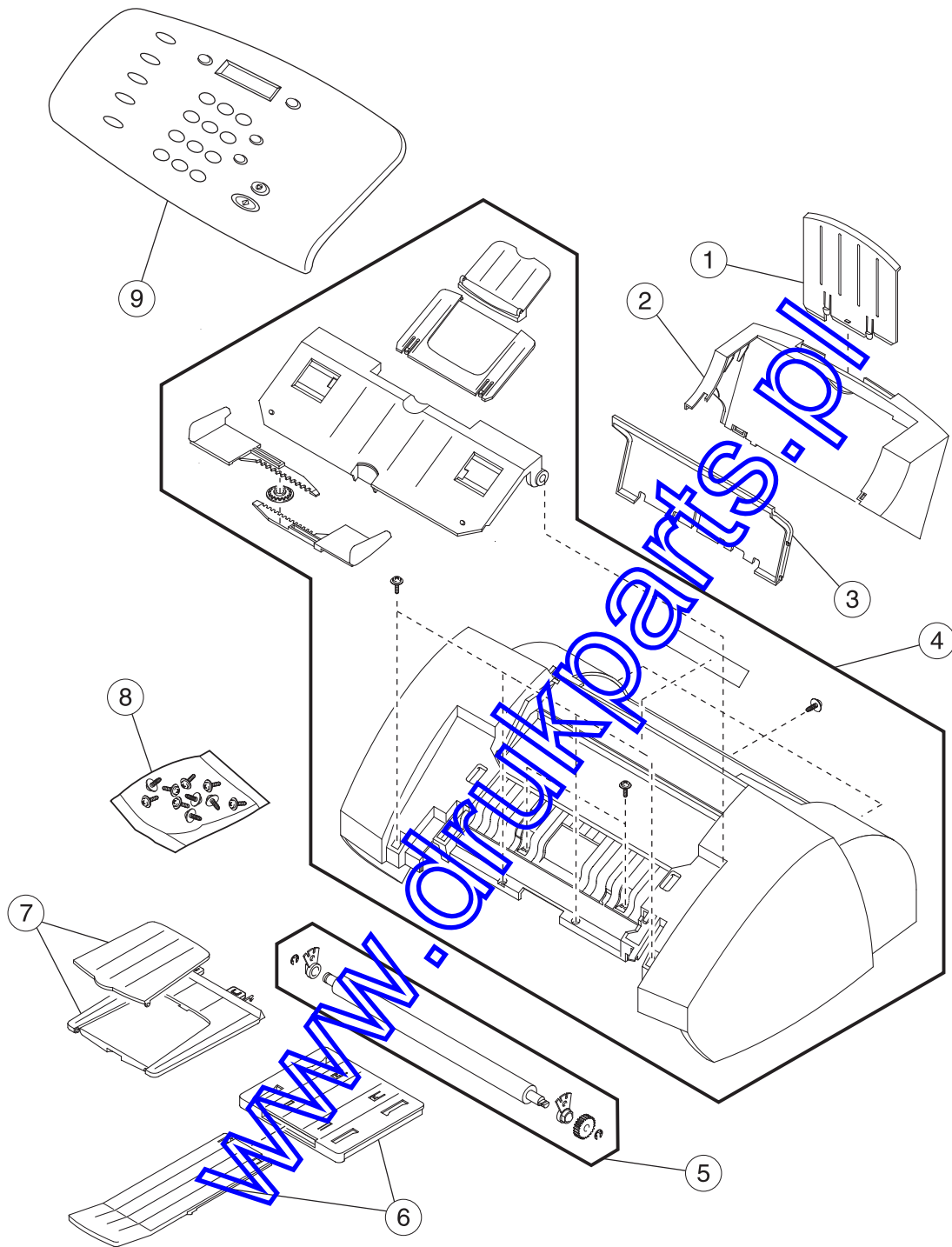
7. Parts Catalog

How to Use This Parts Catalog

- **SIMILAR ASSEMBLIES:** If two assemblies contain a majority of identical parts, they are shown on the same list. Common parts are shown by one index number. Parts peculiar to one or the other of the assemblies are listed separately and identified by description.
- **NS:** (Not Shown) in the Asm-Index column indicates that the part is procurable but is not pictured in the illustration.
- **PP:** in the parts description column indicates the part is available in the listed parts packet.
- **NA:** Not available as a FRU.

www.drukparts.nl

Assembly 1: Main Assembly

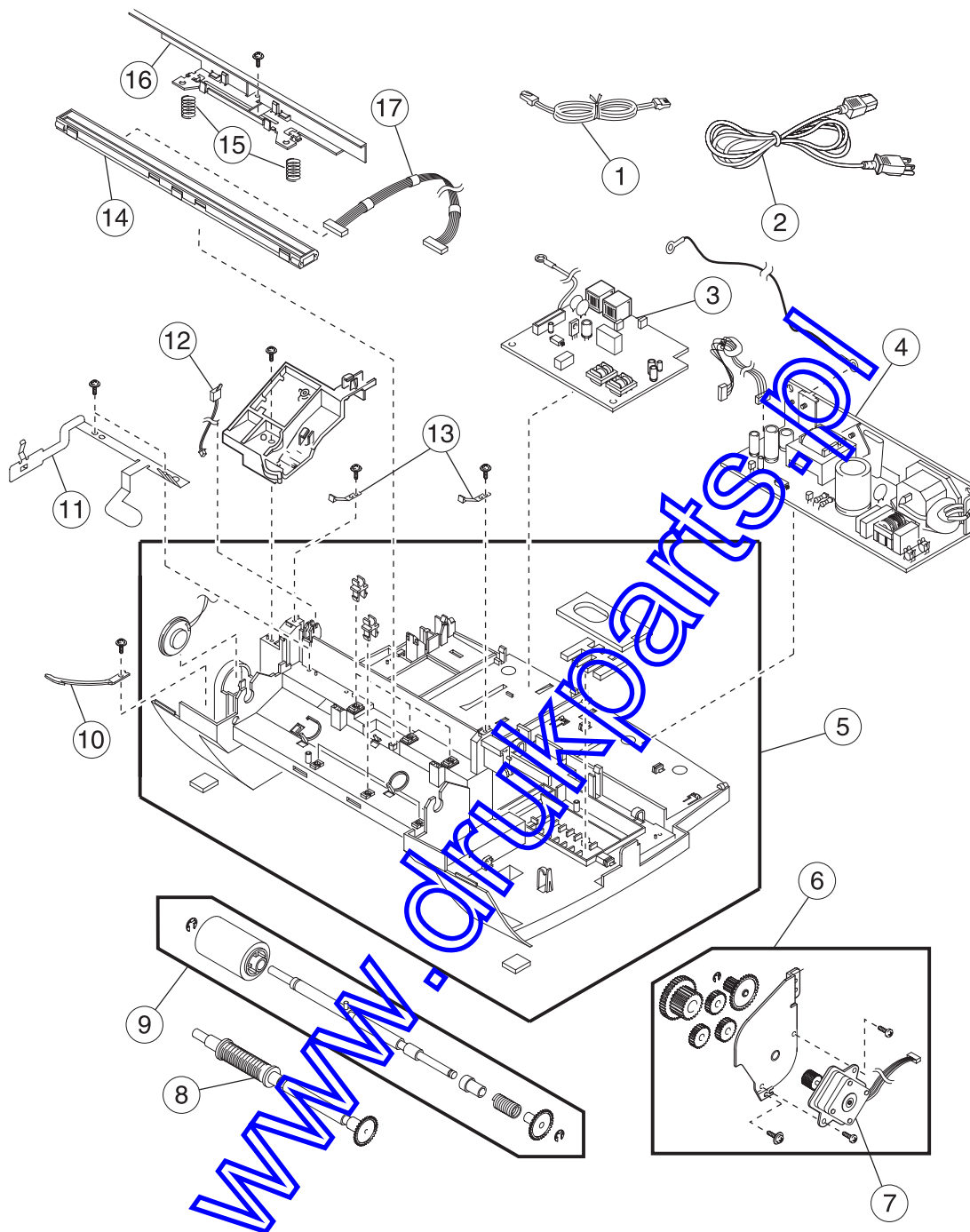


Assembly 1: Main Assembly

Asm-Index	Part Number	Units	Description
1-1	NA	1	Support, Paper Extension
2	56P1151	1	Guide, Paper
3	NA	1	Deflector, Paper
4	56P1154	1	Cover, Top Assembly
5	NA	1	CIS White Roller Assembly
6	56P1155	1	Tray, Paper Exit Assembly
7	56P1156	1	Tray, Scan Exit Assembly
8	NA	1	Screw/Rings Parts Packet
9	56P1160	1	Panel, Operator Assembly

www.drukparts.pl

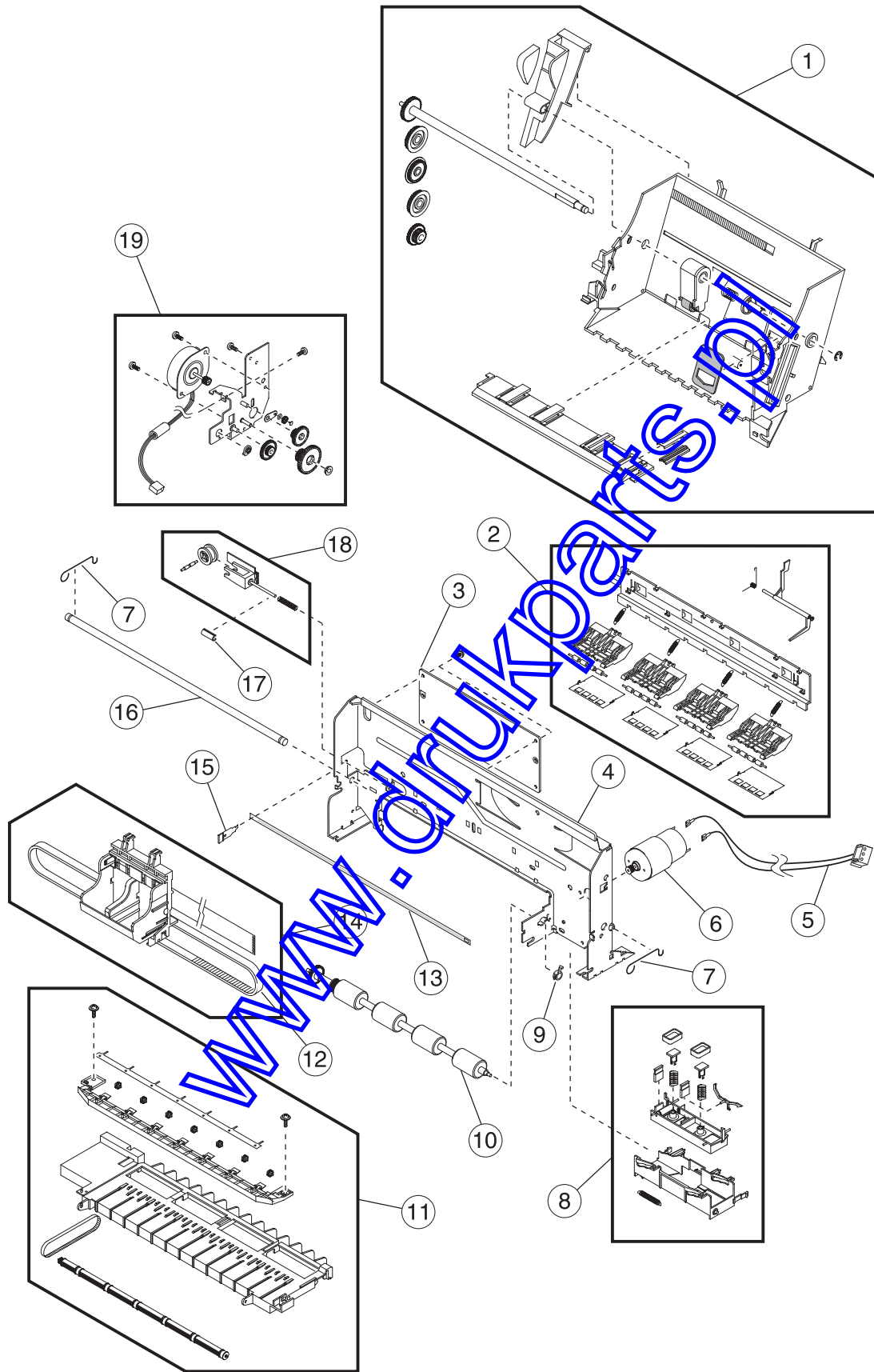
Assembly 2: Base Unit



Assembly 2: Base Unit

Asm-Index	Part Number	Units	Description
2-1	NA	1	Phone Line Cord
2	NA	1	Power Line Cord
3	56P1157	1	Board, Line Interface
3	56P1180	1	Board, Line Interface (EMEA)
3	56P1181	1	Board, Line Interface (Taiwan)
3	56P1182	1	Board, Line Interface (PRC)
4	56P1158	1	Power Supply
5	56P1161	1	Base Assembly
6	56P1164	1	Motor, Scanner with Gear Assembly
7	56P1165	1	Motor, Carrier Assembly
8	NA	1	Shaft, Exit
9	12G6941	1	Drive Feed Roller Assembly
10	NA	1	Strap, Operator Panel Door
11	NA	1	Spring, Ground
12	NA	1	Sensor, Access Door
13	NA	1	Latch, Operator Panel Door
14	56P1162	1	Contact, Image Sensor (CIS)
15	NA	1	Spring, CIS
16	NA	1	IPR-Bracket CIS
17	56P1179	1	Cable CIS

Assembly 3: Engine



Assembly 3: Engine

Asm-Index	Part Number	Units	Description
3-1	56P1167	1	ASF Assembly
2	12G6961	1	Small Feed Roller Assembly with EOF and Springs
3	56P1159	1	System Board
4	NA	1	Main Frame Assembly with Encoder Clip
5	56P1169	1	Cable, Transport Carrier Motor
6	56P1168	1	Motor, Carrier Transport
7	NA	1	Spring, Carrier Shaft Retainer
8	12G6956	1	Maintenance Station Assembly
9	NA	1	Bearing, Feed Roller
10	12G6962	1	Feed Roller, Large with Gear
11	NA	1	Frame, Mid Assembly with Exit Rollers
12	NA	1	Carrier Belt
13	12G6968	1	Strip, Encoder
14	56P1170	1	Carrier Assembly with Belt
15	56P1173	1	Clip, Encoder
16	NA	1	Shaft, Carrier
17	NA	1	Stopper Pulley
18	12G6958	1	Pulley, Idle Assembly
19	12G6963	1	Motor, Paper Feed Assembly with Gears