

7. Parts Catalog

How to use this parts catalog

The following legend is used in the parts catalog:

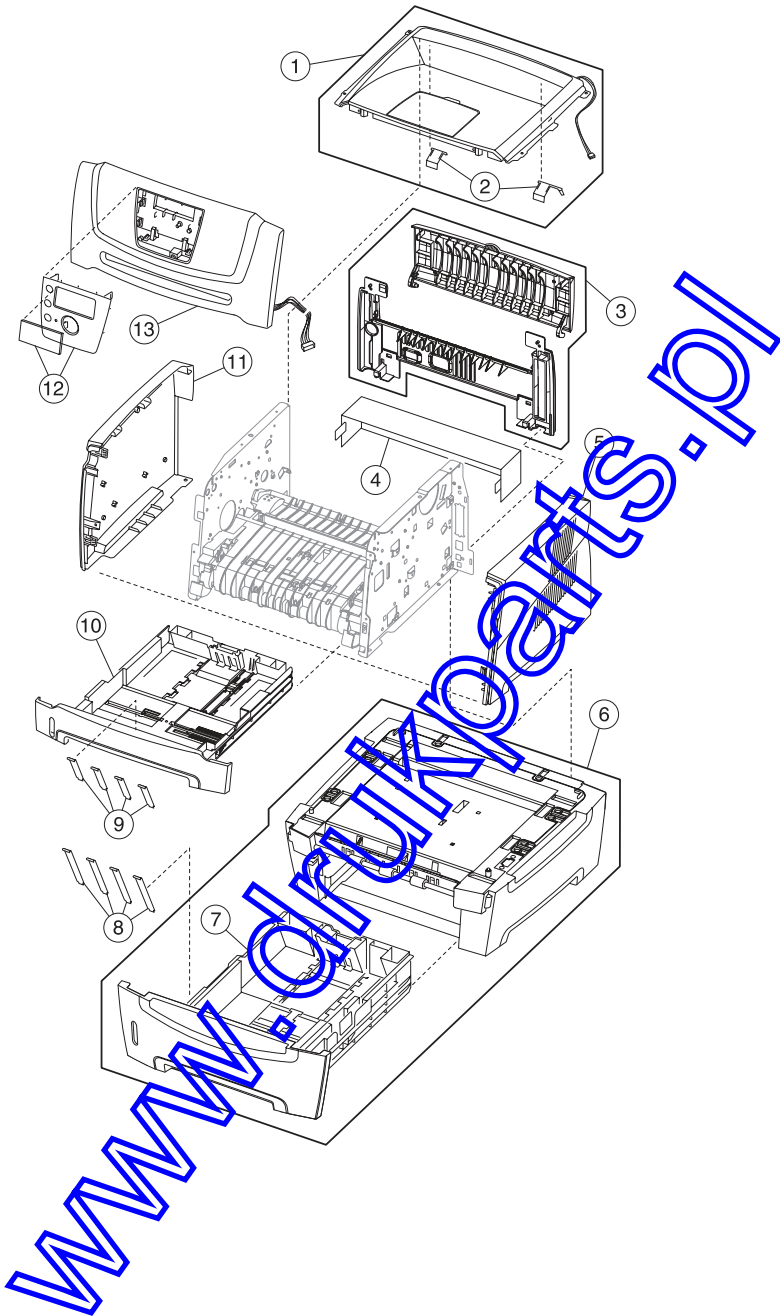
Asm-Index	Part number	Units/mach	Units/FRU	Description
-----------	-------------	------------	-----------	-------------

- **Asm-index:** identifies the assembly and the item in the diagram. For example 3-1 indicates assembly 3 and the item number 1.
- **Part number:** identifies the unique number that identifies this FRU.
- **Units/mach:** refers to the number of units actually used in the machine or product.
- **Units/FRU:** refers to the number of units packaged together and identified by the part number.
- **NS:** (Not shown) in the Asm-Index column indicates that the parts procurable but is not pictured in the illustration.
- **PP:** (Parts Packet) in the parts description column indicates the part is contained in a parts packet.
- Model information used in the parts catalog.

Machine type and model	Description
4512-630	Lexmark E450dn

www.druckparts.nl

Assembly 1: Covers

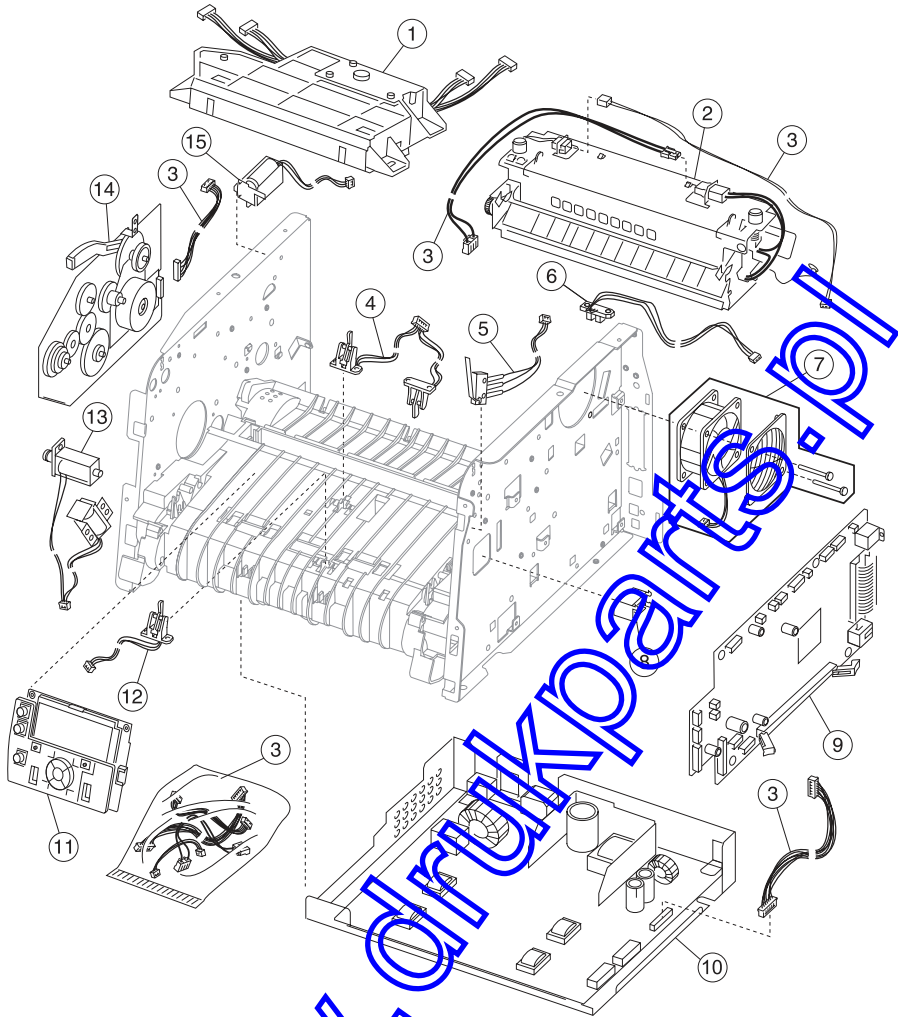


Assembly 1: Covers

Asm-Index	Part number	Units/mach	Units/FRU	Description
1—1	40X2835	1	1	Top cover assembly (includes narrow media sensor)
2	40X2812	1	1	Top cover right and left flags
3	40X2839	1	1	Rear upper and lower cover assembly
4	40X2858	1	1	Legal extender dust cover
5	40X2837	1	1	Right side cover
6	40X2843	1	1	Optional media drawer assembly
7	40X2844	1	1	Tray 2 assembly
8	40X2855	1	4	Tray 2 wear strips
9	40X2854	1	4	Tray 1 wear strips
10	40X2842	1	1	Main tray
11	40X2836	1	1	Left side cover
12	40X2818	1	1	LCD bezel cover, E450dn
13	40X2840	1	1	Front access cover assembly

www.drukparts.pl

Assembly 2: Electronics

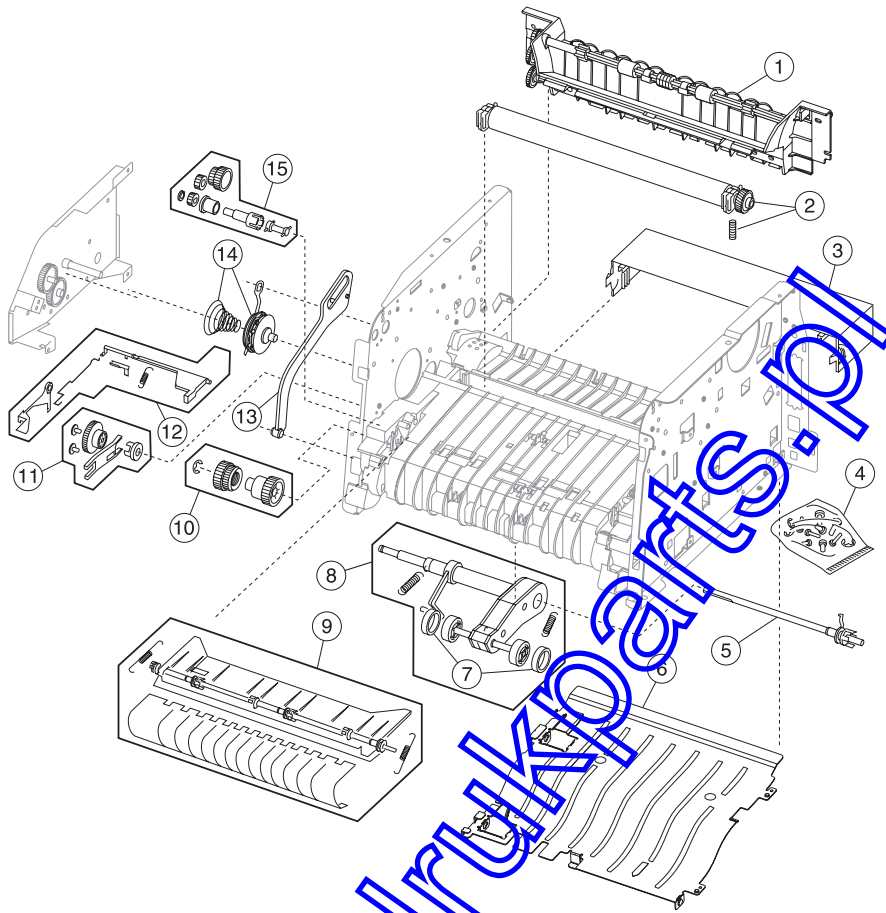


Assembly 2: Electronics

Asm-Index	Part number	Units/mach	Units/FRU	Description
2-1	40X2803	1		LSU, E350d/E352dn/E450dn (printhead)
2	40X2800	1		Fuser assembly, 110 V
2	40X2801	1		Fuser assembly, 220 V
2	40X2802	1		Fuser assembly, 100 V
3	40X2833	1		Miscellaneous cable assemblies
			1	Thermistor
			1	LVPS/HVPS to controller card
			1	Main drive gear assembly (motor to controller card)
			1	Fuser power (LVPS to fuser)
4	40X2823	1	1	Duplex and media sensor assembly
5	40X2813	1	1	Cover open sensor assembly
6	40X2856	1	1	Narrow media sensor
7	40X2828	1	1	Cooling fan
8	56P2076	1	1	Toner low sensor (RO)
9	40X2808	1	1	Controller card, E450dn
10	40X2819	1		LVPS/HVPS card assembly, 110 V
10	40X2820	1		LVPS/HVPS card assembly, 220 V
11	40X2811	1		LCD operator panel assembly, E450dn
12	40X2824	1	1	Manual input sensor assembly
13	40X2845	1	1	Pickup and manual feed solenoids
14	40X2826	1	1	Main drive gear assembly
15	40X2846	1	1	Reversing solenoid

www.druckparts.pl

Assembly 3: Frame



www.druckarts.pl

Assembly 3: Frame

Asm-Index	Part number	Units/mach	Units/FRU	Description
3-1	40X2834	1		Media exit guide assembly
2	40X2822	1		Transfer roll, bearings, gear, spring (CBM)
3	40X2858	1	1	Legal extender dust cover
4	40X2850	N/A		Screws, miscellaneous
			4	TP2NCX3X6PF-Ni
			4	TP2C-4.0+8PF-Ni
			4	M3.0*0.5+6PF-Ni
			2	M3.0*0.5+4PF-Ni
			2	M3.5*0.6+6P-Ni
5	40X2853	1	1	ACM drive shaft assembly
6	40X2841	1	1	Complete duplex assembly
7	56P1820	2		Paper feed, ACM tires (RO)
8	40X2838	1	1	Media (ACM) drive assembly
9	40X2857	1	1	Upper front frame assembly
10	40X2830	1	1	Manual feed clutch CBM
11	40X2831	1	1	Media feed ACM clutch CBM
12	40X2832	1	1	Media level indicator CBM
13	40X2825	1	1	Developer drive/access door link
14	40X2829	1	1	Developer drive coupling assembly
15	40X2821	1	1	Duplex drive gear CBM
NS	40X2847	1	1	110 V maintenance kit
NS	40X2848	1	1	220 V maintenance kit
NS	40X2849	1	1	100 V maintenance kit
				Note: Kit contains the following: Fuser (40X2800, 40X2801, or 40X2802) Exit guide (40X2834) Tray 1 ACM feed tires (56P1820) Transfer roll CBM (40X2822)
NS	7377298	1		Field location package assembly
NS	40X2817	1	2	Tray 2 Paper feed tires

Assembly 4: Options

Asm-Index	Part number	Units/mach	Units/FRU	Description
NS	40X1364	1		32MB SDR DIMM
NS	40X1365	1		64MB SDR DIMM
NS	40X1366	1		128MB SDR DIMM
NS	40X1367	1		Parallel cable, packaged (3 m)
NS	40X1368	1		USB cable, packaged (2 m)
NS	40X1371	1		256MB SDR DIMM
NS	40X1564	1		32MB flash card assembly
NS	40X1512	1		Japanese font card assembly
NS	40X1513	1		Simplified Chinese font card assembly
NS	40X1514	1		Traditional Chinese font card assembly
NS	40X1515	1		Korean font card assembly

Assembly 5: Power cords

Asm-Index	Part number	Units/mach	Units/FRU	Description
NS	40X0289	1		Power cord, 1.8M (straight)—USA, Canada
NS	40X0278	1		Power cord, 6 foot (straight)—Europe and others
NS	40X0288	1		Power cord, 8 foot (straight)—Argentina
NS	40X0271	1		Power cord, 8 foot (straight)—United Kingdom
NS	40X0275	1		Power cord, 6 foot (straight)—Israel
NS	40X0274	1		Power cord, 6 foot (straight)—Switzerland
NS	40X0276	1		Power cord, 6 foot (straight)—South Africa
NS	40X0287	1		Power cord, 6 foot (straight)—Traditional Italy
NS	40X0279	1		Power cord, 6 foot (straight)—Denmark
NS	40X0277	1		Power cord, 6 foot (straight)—Brazil
NS	40X0282	1		Power cord, 1.8M (straight)—PRC
NS	40X0270	1		Power cord, 2.5M (straight)—Japan
NS	40X0280	1		Power cord, 1.8M (straight)—Korea
NS	40X0281	1		Power cord, 1.8M (straight)—Taiwan
NS	40X0296	1		Power cord, 1.8M (straight)—Australia

Index

A

abbreviations **1-9**
 acronyms **1-9**
 autocompensator tires **4-38**

B

Button Test **3-14**
 buttons
 accessing service menus **3-1**
 Button Test **3-14**

C

cables
 fuser power cable **4-24**
 code update **3-1**
 compatibility **1-5**
 Configuration ID **3-22**
 configuration menu
 accessing **3-1, 3-26**
 available menus **3-26**
 Demo Mode **3-28**
 Energy Conserve **3-28**
 Env Prompts **3-28**
 EVENT LOG **3-28**
 Factory Defaults **3-28**
 Maint Cnt Value **3-27**
 Panel Menus **3-27**
 Paper Prompts **3-28**
 PPDS Emulation **3-28**
 Prt Quality Pgs **3-27**
 Reset Maint Cnt **3-27**
 control panel **1-2**
 controller card
 removal **4-13**
 service check **2-17**

D

defaults
 EP defaults **3-23**
 factory defaults **3-28**
 US/Non-US defaults **3-21**
 diagnostics mode **3-2**
 accessing **3-1**
 available tests **3-2**
 BASE SENSOR TEST **3-24**
 DUPLEX TESTS
 Duplex Feed 1 **3-17**
 Quick Test **3-16**
 Sensor Test **3-17**
 Top Margin **3-16**
 EP SETUP
 Charge Roll **3-23**
 EP Defaults **3-23**

Fuser Temp **3-23**
 Gap Adjust **3-23**
 Print Contrast **3-23**
 Transfer **3-23**

EVENT LOG

Clear Log **3-25**
 Display Log **3-24**
 Print Log **3-24**

exiting **3-4**

HARDWARE TESTS

Button Test **3-14**
 DRAM Test **3-14**
 Panel Test **3-14**
 parallel wrap tests **3-19**

INPUT TRAY TESTS

Feed Test **3-18**

OUTPUT BIN TESTS

Feed Test **3-19**
 Sensor Tests **3-19**

PRINT TESTS

input source **3-13**
 Prt Quality Pgs **3-13**

PRINTER SETUP

Configuration ID **3-22**
 Defaults **3-21**
 Edge to Edge **3-22**
 engine settings **3-21**
 Model Name **3-21**
 Page Count **3-21**
 Par x Strobe Adj **3-22**
 Perm Page Count **3-21**
 Serial Number **3-21**

REGISTRATION 3-4

DRAM Test **3-14**

duplex tests

Duplex Feed 1 **3-17**
 Quick Test **3-16**
 Sensor Test **3-17**
 Top Margin **3-16**

E

error messages

 service error codes **2-12**
 user attendance messages **2-5**

ESD-sensitive parts **4-1**

event log

 clear log (diagnostics mode) **3-25**
 display log (diagnostics mode) **3-24**
 print log (configuration menu) **3-28**
 print log (diagnostics mode) **3-24**

F

- fan
 - parts catalog **7-5**
 - removal **4-21**
 - service check **2-18**
- frame, parts catalog **7-6**
- fuser
 - parts catalog **7-5**
 - removal **4-22**
 - service check **2-19**

G

- gap adjustment **3-23**

H

- handling ESD-sensitive parts **4-1**

I

- input source tests **3-13**
- input tray feed test **3-18**

L

- LCD operator panel **4-36**
- locations
 - front views **5-1**
 - rear views **5-1**
- lubrication specifications **6-1**
- LVPS/HVPS
 - parts catalog **7-5**
 - removal **4-26**
 - service check **2-20**

M

- maintenance approach **1-1**
- maintenance kits **6-1**
- manual feed
 - print media types and sizes **1-6**
- menus
 - accessing service menus **3-1**
- messages
 - service error codes **2-12**
 - user attendance messages **2-5**
- Model Name **3-21**
- models
 - comparison **1-1**
 - diagrams **5-1**
 - operator panels **1-2**
 - trays available **1-4**

N

- navigation buttons **2-3**

O

- operator panel
 - Button Test **3-14**
 - LCD— **2-2**
 - LED—
 - service check **2-21**

LED—E238/E240(n)

- overview **1-2**
- Panel Test **3-14**
- output bin sensor tests
 - standard bin **3-19**

P

- page count
 - Page Count **3-21**
 - permanent page count **3-21**
- Panel Test **3-14**
- panel, control **1-2**
- paper exit guide, removal **4-37**
- paper jams
 - tips on preventing **1-7**
- parallel port service check **2-26**
- parallel wrap tests **3-15**
- parts catalog
 - covers **7-2**
 - electronics **7-4**
 - frame **7-6**
 - options **7-8**
- power-on self test (POST) **2-1**
 - symptoms **2-15**
- print media
 - preventing jams **1-7**
 - trays by model **1-4**
 - types and sizes **1-6**
- print quality pages **3-13, 3-27**
 - using **2-24**
- print quality problems
 - print media **1-7**
 - service check **2-24**
 - solving **2-28**
- print registration **3-4**
- printer symptom table **2-16**
- printhead
 - removal **4-40**
 - service check **2-31**

Q

- quality pages **3-13, 3-27**
- Quick Test **3-12, 3-16**

R

- REGISTRATION **3-4**
- registration **3-4**
- removals
 - controller card **4-13**
 - cover open sensor **4-15**
 - covers
 - front access cover **4-2**
 - left side cover **4-4**
 - right side cover **4-5**
 - top cover **4-7**
 - developer drive coupling assembly **4-16**
 - fan **4-21**
 - fuser **4-22**

fuser power cable **4-24**
 LVPS/HVPS card assembly **4-26**
 paper exit guide assembly **4-37**
 paper feed rollers **4-38**
 printhead **4-40**
 procedures **4-1**
 toner level sensor— **4-41**
 transfer roll **4-42**

S

safety information **xiii**
 safety inspection guide **6-1**
 sensors
 cover open **4-15**
 serial number **3-21**
 service checks **2-17**
 controller card **2-17**
 cooling fan **2-18**
 cover interlock switch **2-18**
 dead machine **2-19**
 fuser **2-19**
 LVPS/HVPS **2-20**
 main motor **2-20**
 operator panel **2-21**
 paper feed **2-21**
 paper jam during POST **2-21**
 paper never picks **2-22**
 paper picks but stops **2-22**
 paper picks during POST **2-21**
 paper picks sheets **2-22**
 paper trees, curls **2-23**
 parallel port **2-23**
 print quality **2-24**
 black page **2-25**
 blank page **2-24**
 heavy background **2-25**
 image density **2-26**
 light print **2-27**
 partial blank image **2-26**
 poor fusing of image **2-26**
 toner on back of page **2-27**
 white or black lines **2-27**
 printhead **2-31**
 transfer roll **2-31**
 service error codes **2-12**
 special tools **1-8**
 specifications
 connectivity **1-5**
 input trays **1-4**
 memory **1-3**
 operating systems **1-5**
 photoconductor capacity **1-4**
 print media **1-6**
 toner capacity **1-4**
 start **2-1**
 strobe adjustment **3-22**
 symptom tables **2-15**
 POST **2-15**
 printer **2-16**
 system code **3-1**

T

tires, removal **4-38**
 tools **1-8**
 Top Margin
 duplex **3-16**
 simplex (front side) **3-4**
 transfer roll
 parts catalog **7-7**
 removal **4-42**
 service check **2-31**

U

user attendance messages **2-5**

W

wrap tests **3-15**

www.drukparts.pl

Part number index

P/N	Description	Page
1319128	Parallel wrap plug	3-15
40X0270	Power cord, 1.77M (straight)—Japan	7-8
40X0271	Power cord, 6 foot—United Kingdom	7-8
40X0274	Power cord, 6 foot—Switzerland	7-8
40X0275	Power cord, 6 foot (straight)—Israel	7-8
40X0276	Power cord, 6 foot—South Africa	7-8
40X0277	Power cord, 6 foot (straight)—Brazil	7-8
40X0278	Power cord, 6 foot (straight)—Europe and others	7-8
40X0279	Power cord, 6 foot (straight)—Denmark	7-8
40X0280	Power cord, 1.77M (straight)—Korea	7-8
40X0281	Power cord, 1.77M (straight)—Taiwan	7-8
40X0282	Power cord, 1.77M (straight)—PRC	7-8
40X0287	Power cord, 6 foot (straight)—Traditional Italy	7-8
40X0288	Power cord, 6 foot—Argentina	7-8
40X0289	Power cord, 1.77M (straight)—USA, Canada	7-8
40X0296	Power cord, 1.8M (straight)—Australia	7-8
40X1300	Fuser assembly, 110 V	7-5
40X1323	Duplex and media sensor assembly	7-5
40X1328	Cooling fan	7-5
40X1333	Cable assembly, misc - fuser power	7-5
40X1333	Cable assembly, misc - main drive motor	7-5
40X1333	Cable assembly, misc.- LVPS/HVPS to controller	7-5
40X1333	Cable assembly, misc.- toner sensor	7-5
40X1364	32MB SDR DIMM	7-8
40X1365	64MB SDR DIMM	7-8
40X1366	128MB SDR DIMM	7-8
40X1367	Parallel cable, packaged (3 m)	7-8
40X1368	USB cable, packaged (2 m)	7-8
40X1371	256MB SDR DIMM	7-8
40X1512	Japanese font card assembly	7-8
40X1513	Simplified Chinese font card assembly	7-8
40X1514	Traditional Chinese font card assembly	7-8
40X1515	Korean font card assembly	7-8
40X1564	32MB flash card assembly	7-8
40X2801	Fuser assembly, 220 V	7-5
40X2802	Fuser assembly, 100 V	7-5
40X2803	LSU, E350d/E352dn/E450dn (p/nthead)	7-5
40X2808	Controller card, E450dn	7-5
40X2811	LCD operator panel assembly, E450dn	7-5
40X2812	Top cover right and left legs	7-3
40X2813	Cover open sensor assembly	7-5
40X2817	Tray 2 Paper feed rollers	7-7
40X2818	LCD bezel cover, E450dn	7-3
40X2819	LVPS/HVPS card assembly, 110 V	7-5
40X2820	LVPS/HVPS card assembly, 220 V	7-5
40X2821	Duplex drive gear CBM	7-7
40X2822	Transfer roll, bearings, gear, spring (CBM)	7-7
40X2824	Manual input sensor assembly	7-5
40X2825	Developer drive/access door link	7-7
40X2826	Main drive gear assembly	7-5
40X2829	Developer drive coupling assembly	7-7
40X2830	Manual feed clutch CBM	7-7
40X2831	Media feed ACM clutch CBM	7-7
40X2832	Media level indicator CBM	7-7

4512-630

40X2833	Miscellaneous cable assemblies -----	7-5
40X2834	Media exit guide assembly -----	7-7
40X2835	Top cover assembly (includes narrow media sensor) -----	7-3
40X2836	Left side cover -----	7-3
40X2837	Right side cover -----	7-3
40X2838	Media (ACM) drive assembly -----	7-7
40X2839	Rear upper and lower cover assembly -----	7-3
40X2840	Front access cover assembly -----	7-3
40X2841	Complete duplex assembly -----	7-7
40X2842	Main tray -----	7-3
40X2843	Optional media drawer assembly -----	7-3
40X2844	Tray 2 assembly -----	7-3
40X2845	Pickup and manual feed solenoids -----	7-5
40X2846	Reversing solenoid -----	7-5
40X2847	110 V maintenance kit -----	6-1, 7-7
40X2848	220 V maintenance kit -----	6-1, 7-7
40X2849	100 V maintenance kit -----	6-1, 7-7
40X2850	Screws, miscellaneous -----	7-7
40X2853	ACM drive shaft assembly -----	7-7
40X2854	Tray 1 wear strips -----	7-3
40X2855	Tray 2 wear strips -----	7-3
40X2856	Narrow media sensor -----	7-5
40X2857	Upper front frame assembly -----	7-7
40X2858	Legal extender dust cover -----	7-3, 7-7
56P1820	Paper feed, ACM tires (RO) -----	7-7
56P2076	Toner low sensor (RO) -----	7-5
7377298	Field location package assembly -----	7-7

www.drukparts.nl