

7. Parts Catalog

How to use this parts catalog

The following legend is used in the parts catalog:

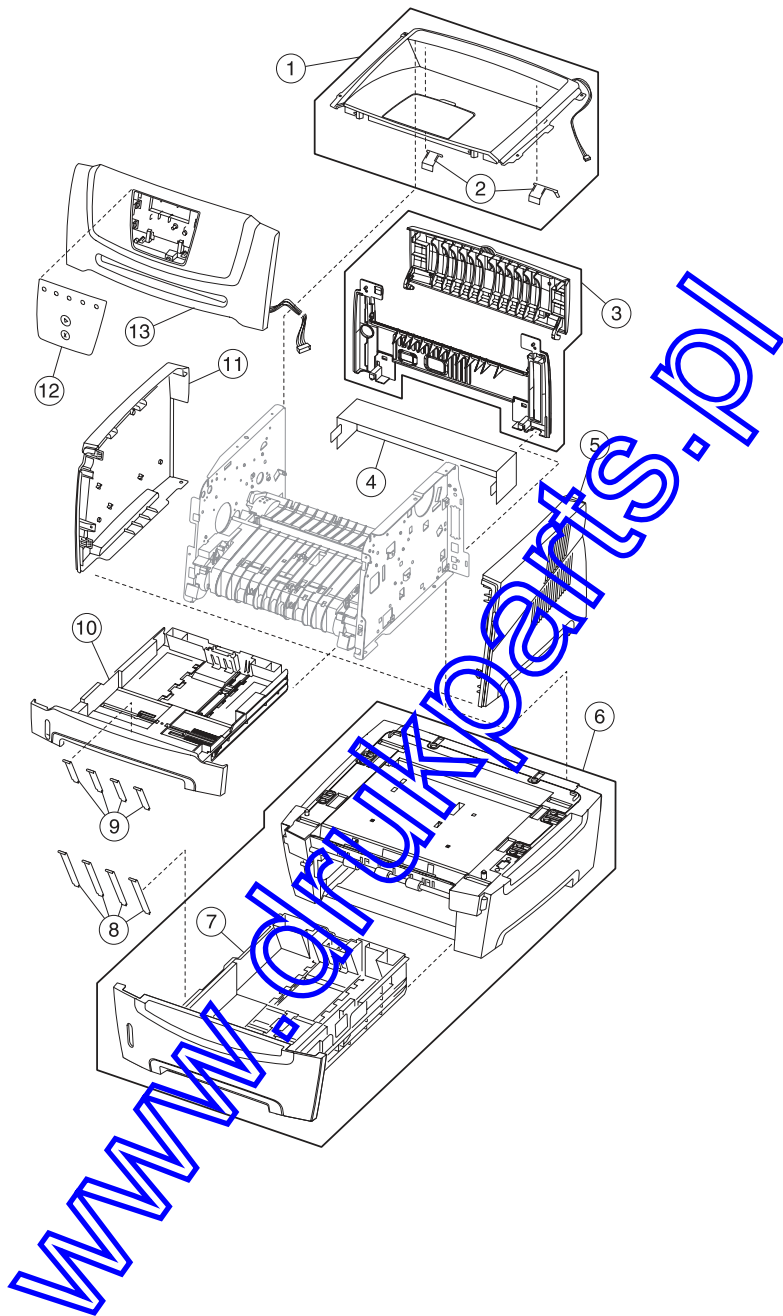
Asm- Index	Part number	Units/mach	Units/ FRU	Description
------------	-------------	------------	------------	-------------

- **Asm-index:** identifies the assembly and the item in the diagram. For example 3-1 indicates assembly 3 and the item number 1.
- **Part number:** identifies the unique number that identifies this FRU.
- **Units/mach:** refers to the number of units actually used in the machine or product.
- **Units/FRU:** refers to the number of units packaged together and identified by the part number.
- **NS:** (Not shown) in the Asm-Index column indicates that the part is procurable but is not pictured in the illustration.
- **PP:** (Parts Packet) in the parts description column indicates the part is contained in a parts packet.
- Model information used in the parts catalog.

Machine type and model	Description
4512-220	Lexmark E250d
4512-230	Lexmark E250dn

www.druckparts.pl

Assembly 1: Covers

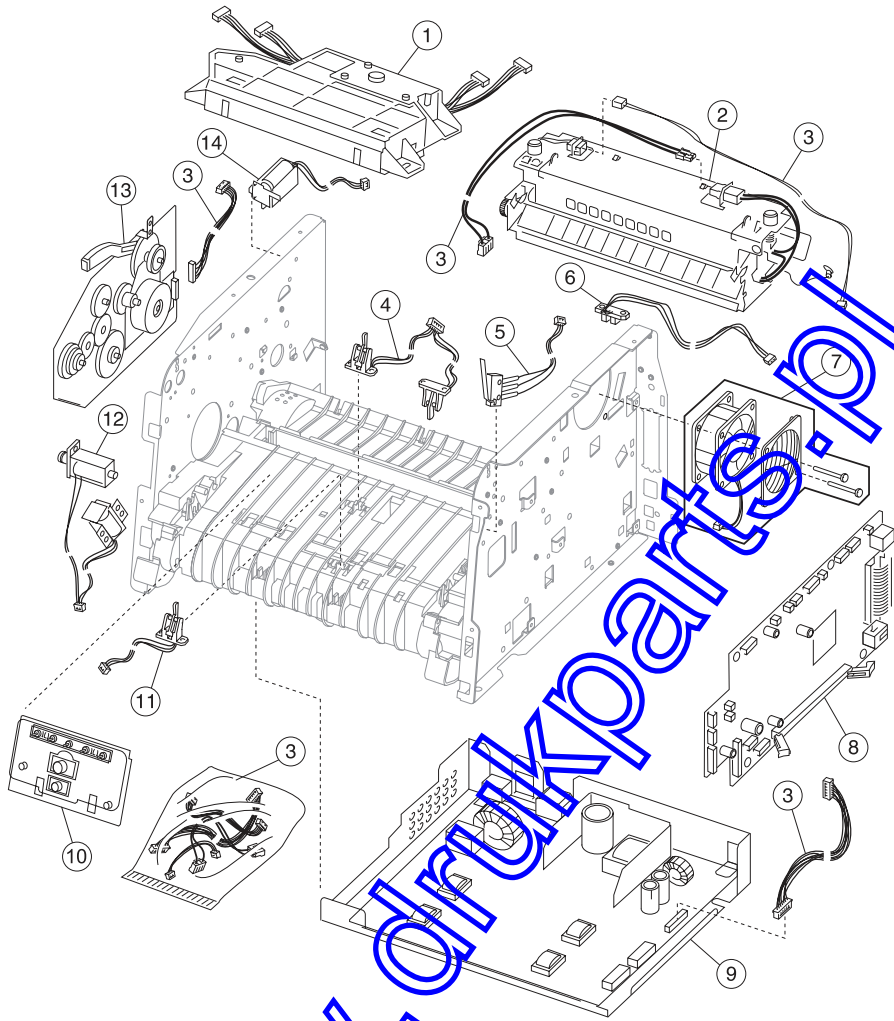


Assembly 1: Covers

Asm-Index	Part number	Units/mach	Units/FRU	Description
1—1	40X2835	1	1	Top cover assembly (includes narrow media sensor)
2	40X2812	1	1	Top cover right and left flags
3	40X2839	1	1	Rear upper and lower cover assembly
4	40X2858	1	1	Legal extender dust cover
5	40X2837	1	1	Right side cover
6	40X2843	1	1	Optional media drawer assembly
7	40X2844	1	1	Tray 2 assembly
8	40X2855	1	4	Tray 2 wear strips
9	40X2854	1	4	Tray 1 wear strips
10	40X2842	1	1	Main tray
11	40X2836	1	1	Left side cover
12	40X2852	1	1	LED bezel cover, E250d
12	40X2814	1	1	LED bezel cover, E250dn
13	40X2840	1	1	Front access cover assembly

www.drukparts.pl

Assembly 2: Electronics

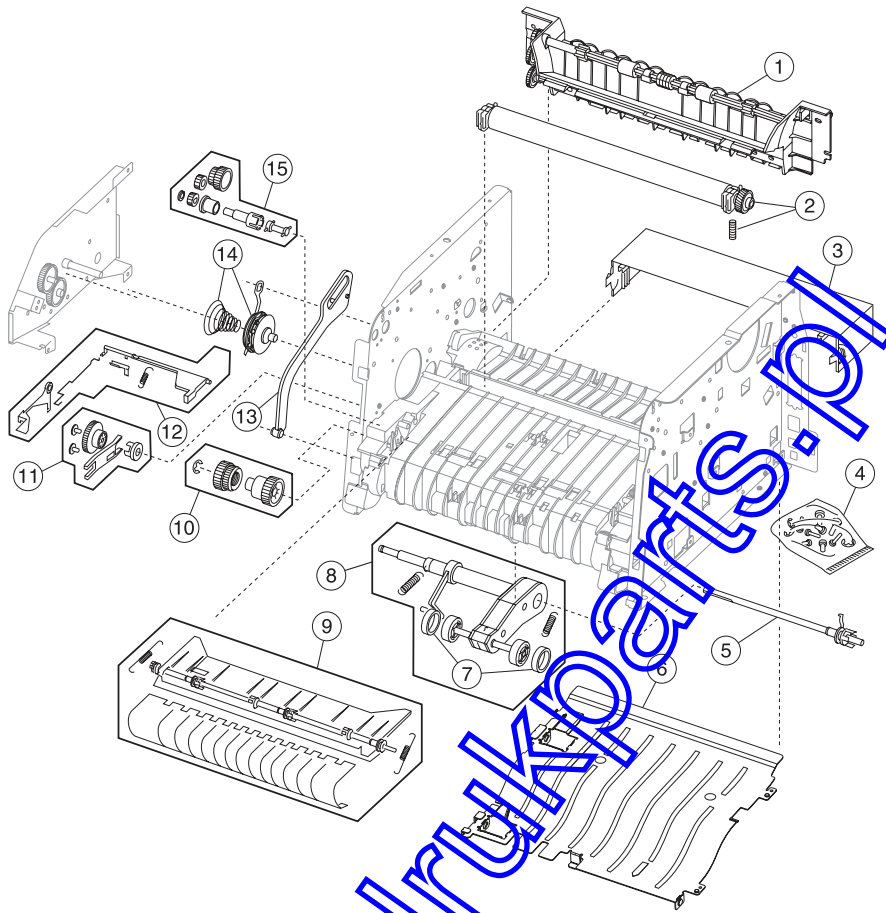


Assembly 2: Electronics

Asm-Index	Part number	Units/mach	Units/FRU	Description
2-1	40X2804	1		LSU, E250d/E250dn (printhead)
2	40X2800	1		Fuser assembly, 110 V
2	40X2801	1		Fuser assembly, 220 V
2	40X2802	1		Fuser assembly, 100 V
3	40X2833	1		Miscellaneous cable assemblies
			1	Thermistor
			1	LVPS/HVPS to controller card
			1	Main drive gear assembly (motor to controller card)
			1	Fuser power (LVPS to fuser)
4	40X2823	1	1	Duplex and media sensor assembly
5	40X2813	1	1	Cover open sensor assembly
6	40X2856	1	1	Narrow media sensor
7	40X2828	1	1	Cooling fan
8	40X2805	1	1	Controller card, E250dn
8	40X2851	1	1	Controller card, E250d
9	40X2819	1		LVPS/HVPS card assembly, 110 V
9	40X2820	1		LVPS/HVPS card assembly, 220 V
10	40X2809	1		LED operator panel assembly, E250d/E250dn
11	40X2824	1	1	Manual input sensor assembly
12	40X2845	1	1	Pickup and manual feed solenoid
13	40X2826	1	1	Main drive gear assembly
14	40X2846	1	1	Reversing solenoid

www.druckparts.pl

Assembly 3: Frame



Assembly 3: Frame

Asm-Index	Part number	Units/mach	Units/FRU	Description
3-1	40X2834	1		Media exit guide assembly
2	40X2822	1		Transfer roll, bearings, gear, spring (CBM)
3	40X2858	1	1	Legal extender dust cover
4	40X2850	N/A		Screws, miscellaneous
			4	TP2NCX3X6PF-Ni
			4	TP2C-4.0+8PF-Ni
			4	M3.0*0.5+6PF-Ni
			2	M3.0*0.5+4PF-Ni
			2	M3.5*0.6+6P-Ni
5	40X2853	1	1	ACM drive shaft assembly
6	40X2841	1	1	Complete duplex assembly
7	56P1820	2		Paper feed, ACM tires (RO)
8	40X2838	1	1	Media (ACM) drive assembly
9	40X2857	1	1	Upper front frame assembly
10	40X2830	1	1	Manual feed clutch CBM
11	40X2831	1	1	Media feed ACM clutch CBM
12	40X2832	1	1	Media level indicator CBM
13	40X2825	1	1	Developer drive/access door link
14	40X2829	1	1	Developer drive coupling assembly
15	40X2821	1	1	Duplex drive gear CBM
NS	40X2847	1	1	110 V maintenance kit
NS	40X2848	1	1	220 V maintenance kit
NS	40X2849	1	1	100 V maintenance kit
				Note: Kit contains the following: Fuser (40X2800, 40X2801, or 40X2802) Exit guide (40X2834) Tray 1 ACM feed tires (56P1820) Transfer roll CBM (40X2822)
NS	7377298	1		Field location package assembly
NS	40X2817	1	2	Tray 2 paper feed tires

Assembly 4: Options

Asm-Index	Part number	Units/mach	Units/FRU	Description
NS	40X1364	1		32MB SDR DIMM
NS	40X1365	1		64MB SDR DIMM
NS	40X1367	1		Parallel cable, packaged (3 m)
NS	40X1368	1		USB cable, packaged (2 m)
NS	40X1513	1		Simplified Chinese font card assembly
NS	40X1514	1		Traditional Chinese font card assembly
NS	40X1512	1		Japanese font card assembly
NS	40X1515	1		Korean font card assembly

www.drukparts.pl

Assembly 5: Power cords

Asm-Index	Part number	Units/mach	Units/FRU	Description
NS	40X0289	1		Power cord, 1.8M (straight)—USA, Canada
NS	40X0278	1		Power cord, 6 foot (straight)—Europe and others
NS	40X0288	1		Power cord, 8 foot (straight)—Argentina
NS	40X0271	1		Power cord, 8 foot (straight)—United Kingdom
NS	40X0275	1		Power cord, 6 foot (straight)—Israel
NS	40X0274	1		Power cord, 6 foot (straight)—Switzerland
NS	40X0276	1		Power cord, 6 foot (straight)—South Africa
NS	40X0287	1		Power cord, 6 foot (straight)—Traditional Italy
NS	40X0279	1		Power cord, 6 foot (straight)—Denmark
NS	40X0277	1		Power cord, 6 foot (straight)—Brazil
NS	40X0282	1		Power cord, 1.8M (straight)—PRC
NS	40X0270	1		Power cord, 2.5M (straight)—Japan
NS	40X0280	1		Power cord, 1.8M (straight)—Korea
NS	40X0281	1		Power cord, 1.8M (straight)—Taiwan
NS	40X0296	1		Power cord, 1.8M (straight)—Australia

www.drukparts.pl

Index

A

abbreviations **1-9**
 acronyms **1-9**
 Auto CR After LF **3-5**
 Auto LF After CR **3-5**
 autocompensator tires **4-38**

C

cables
 fuser power cable **4-24**
 compatibility **1-5**
 configuration ID **3-8**
 configuration menu—
 accessing **3-1**
 navigating menu **3-1**
 Network
 Mac Binary PS **3-7**
 NPA Mode **3-7**
 Set Card Speed **3-7**
 Parallel
 MAC Binary PS **3-5**
 NPA Mode **3-5**
 Parallel Mode 2 **3-5**
 Protocol **3-5**
 printing menu **3-2**
 Setup
 Auto CR After LF **3-5**
 Auto LF After CR **3-5**
 Demo Mode **3-5**
 table of light patterns **3-2**
 USB
 Mac Binary PS **3-6**
 NPA Mode **3-6**
 Utilities
 Hex Trace **3-4**
 Print Quality Pages **3-4**
 Reset Factory Defaults **3-4**
 Reset Photoconductor Counter **3-4**
 controller card
 removal **4-13**
 service check **2-37**

D

Defaults **3-8**
 Demo Mode **3-5**
 diagnostic information **2-1**
 diagnostics mode—
 Development
 Configuration ID **3-8**
 Defaults **3-8**
 Edge to Edge **3-8**
 Print History **3-8**
 entering **3-1**
 printout sample **3-3**

E

Edge to Edge **3-8**
 error messages
 primary light patterns **2-2**
 service error codes **2-21**
 user attendance messages **2-2**
 ESD-sensitive parts **4-1**

F

fan
 parts catalog **7-5**
 removal **4-21**
 service check **2-38**
 frame, parts catalog **7-6**
 fuser
 parts catalog **7-5**
 removal **4-22**
 service check **2-39**

H

handling ESD-sensitive parts **4-1**
 Hex Trace **2-34, 3-4**

I

LCD operator panel **4-36**
 light patterns—
 description **2-2**
 primary **2-3**
 service codes **2-21**
 locations
 front views **5-1**
 rear views **5-1**
 lubrication specifications **6-1**
 LVPS/HVPS
 parts catalog **7-5**
 removal **4-26**
 service check **2-40**

M

maintenance approach **1-1**
 maintenance kits **6-1**
 manual feed
 print media types and sizes **1-6**
 menus
 accessing service menus **3-1**
 configuration menu **3-2**
 diagnostics mode **3-3**
 printing **3-1**
 messages
 service error codes **2-21**
 user attendance messages **2-3**

models

- comparison **1-1**
- diagrams **5-1**
- operator panels **1-2**
- service menus **3-1**
- trays available **1-4**

NNPA Mode **3-5****O**

operator panel

- LED—
 - overview **1-2**
 - service check **2-41**

Ppaper exit guide, removal **4-37**

paper jams

- tips on preventing **1-7**

parallel port service check **2-43**

parts catalog

- covers **7-2**
- electronics **7-4**
- frame **7-6**
- options **7-8**

power-on self test (POST) **2-2**

- symptoms **2-35**

print history **3-8**

print media

- preventing jams **1-7**
- trays by model **1-4**
- types and sizes **1-6**

print quality pages **3-4**

- using **2-44**

print quality problems

- print media **1-7**
- service check **2-44**
- solving **2-48**

printer symptom table **2-36**

printhead

- removal **4-40**
- service check **2-51**

Protocol **3-5****R**

removals

- controller card **4-13**
- cover open sensor **4-15**
- covers
 - front access cover **4-2**
 - left side cover **4-4**
 - right side cover **4-5**
 - top cover **4-7**
- developer drive coupling assembly **4-16**
- fan **4-21**
- fuser **4-22**
- fuser power cable **4-24**
- LVPS/HVPS card assembly **4-26**
- paper exit guide assembly **4-37**

paper feed rollers **4-38**printhead **4-40**procedures **4-1**toner level sensor— **4-41**transfer roll **4-42**Reset Factory Defaults **3-4**reset maintenance page counter **3-4**Reset PC Counter **3-4****S**safety information **xi**safety inspection guide **6-1**

sensors

cover open **4-15**service checks **2-37**controller card **2-37**cooling fan **2-38**cover interlock switch **2-38**dead machine **2-39**fuser **2-39**LVPS/HVPS **2-39**main motor **2-40**operator panel **2-41**paper feed **2-41**paper jam during POST **2-41**paper never picks **2-42**paper picks but stops **2-42**paper picks during POST **2-41**paper picks sheets **2-42**paper trays, curls **2-43**parallel port **2-43**print quality **2-44**black page **2-45**blank page **2-44**heavy background **2-45**image density **2-46**light print **2-47**partial blank image **2-46**poor fusing of image **2-46**toner on back of page **2-47**white or black lines **2-47**printhead **2-51**transfer roll **2-51**

service error codes

accessing **2-21**tertiary light patterns **2-23**service menus **3-1**special tools **1-8**

specifications

connectivity **1-5**input trays **1-4**memory **1-3**operating systems **1-5**photoconductor capacity **1-4**print media **1-6**print speed **1-3**toner capacity **1-4**

start **2-1**
symptom tables **2-35**
 POST **2-35**
 printer **2-36**

T

test pages
 Print Quality Pages **3-4**
tires, removal **4-38**
tools **1-8**
transfer roll
 parts catalog **7-7**
 removal **4-42**
 service check **2-51**

U

user attendance messages **2-3**

www.drukparts.pl

Part number index

P/N	Description	Page
40X0270	Power cord, 1.77M (straight)—Japan	7-9
40X0271	Power cord, 6 foot—United Kingdom	7-9
40X0274	Power cord, 6 foot—Switzerland	7-9
40X0275	Power cord, 6 foot (straight)—Israel	7-9
40X0276	Power cord, 6 foot—South Africa	7-9
40X0277	Power cord, 6 foot (straight)—Brazil	7-9
40X0278	Power cord, 6 foot (straight)—Europe and others	7-9
40X0279	Power cord, 6 foot (straight)—Denmark	7-9
40X0280	Power cord, 1.77M (straight)—Korea	7-9
40X0281	Power cord, 1.77M (straight)—Taiwan	7-9
40X0282	Power cord, 1.77M (straight)—PRC	7-9
40X0287	Power cord, 6 foot (straight)—Traditional Italy	7-9
40X0288	Power cord, 6 foot—Argentina	7-9
40X0289	Power cord, 1.77M (straight)—USA, Canada	7-9
40X0296	Power cord, 1.8M (straight)—Australia	7-9
40X1300	Fuser assembly, 110 V	7-5
40X1323	Duplex and media sensor assembly	7-5
40X1328	Cooling fan	7-5
40X1333	Cable assembly, misc - fuser power	7-5
40X1333	Cable assembly, misc - main drive motor	7-5
40X1333	Cable assembly, misc.- LVPS/HVPS to controller	7-5
40X1333	Cable assembly, misc.- toner sensor	7-5
40X1364	32MB SDR DIMM	7-8
40X1365	64MB SDR DIMM	7-8
40X1367	Parallel cable, packaged (3 m)	7-8
40X1368	USB cable, packaged (2 m)	7-8
40X1512	Japanese font card assembly	7-8
40X1513	Simplified Chinese font card assembly	7-8
40X1514	Traditional Chinese font card assembly	7-8
40X1515	Korean font card assembly	7-8
40X2801	Fuser assembly, 220 V	7-5
40X2802	Fuser assembly, 100 V	7-5
40X2804	LSU, E250d/E250dn (printhead)	7-5
40X2805	Controller card, E250dn	7-5
40X2809	LED operator panel assembly, E250d/E250dn	7-5
40X2812	Top cover right and left flags	7-3
40X2813	Cover open sensor assembly	7-5
40X2814	LED bezel cover, E250dn	7-3
40X2817	Tray 2 paper feed tires	7-7
40X2819	LVPS/HVPS card, 110 V, 110 V	7-5
40X2820	LVPS/HVPS card assembly, 220 V	7-5
40X2821	Duplex drive gear CBM	7-7
40X2822	Transfer roll, bearings, gear, spring (CBM)	7-7
40X2824	Manual input sensor assembly	7-5
40X2825	Developer drive/access door link	7-7
40X2826	Main drive gear assembly	7-5
40X2829	Developer drive coupling assembly	7-7
40X2830	Manual feed clutch CBM	7-7
40X2831	Media feed ACM clutch CBM	7-7
40X2832	Media level indicator CBM	7-7
40X2833	Miscellaneous cable assemblies	7-5
40X2834	Media exit guide assembly	7-7
40X2835	Top cover assembly	7-3
40X2836	Left side cover	7-3

4512-220, -230

40X2837	Right side cover	7-3
40X2838	Media (ACM) drive assembly	7-7
40X2839	Rear upper and lower cover assembly	7-3
40X2840	Front access cover assembly	7-3
40X2841	Complete duplex assembly	7-7
40X2842	Main tray	7-3
40X2843	Optional media drawer assembly	7-3
40X2844	Tray 2 assembly	7-3
40X2845	Pickup and manual feed solenoids	7-5
40X2846	Reversing solenoid	7-5
40X2847	110 V maintenance kit	6-1, 7-7
40X2848	220 V maintenance kit	6-1, 7-7
40X2849	100 V maintenance kit	6-1, 7-7
40X2850	Screws, miscellaneous	7-7
40X2851	Controller card, E250d	7-5
40X2852	LED bezel cover, E250d	7-3
40X2853	ACM drive shaft assembly	7-7
40X2854	Tray 1 wear strips	7-3
40X2855	Tray 2 wear strips	7-3
40X2856	Narrow media sensor	7-5
40X2857	Upper front frame assembly	7-7
40X2858	Legal extender dust cover	7-3, 7-7
56P1820	Paper feed, ACM tires (RO)	7-7
7377298	Field location package assembly	7-7

www.drukparts.nl