

7. Parts catalog

How to use this parts catalog

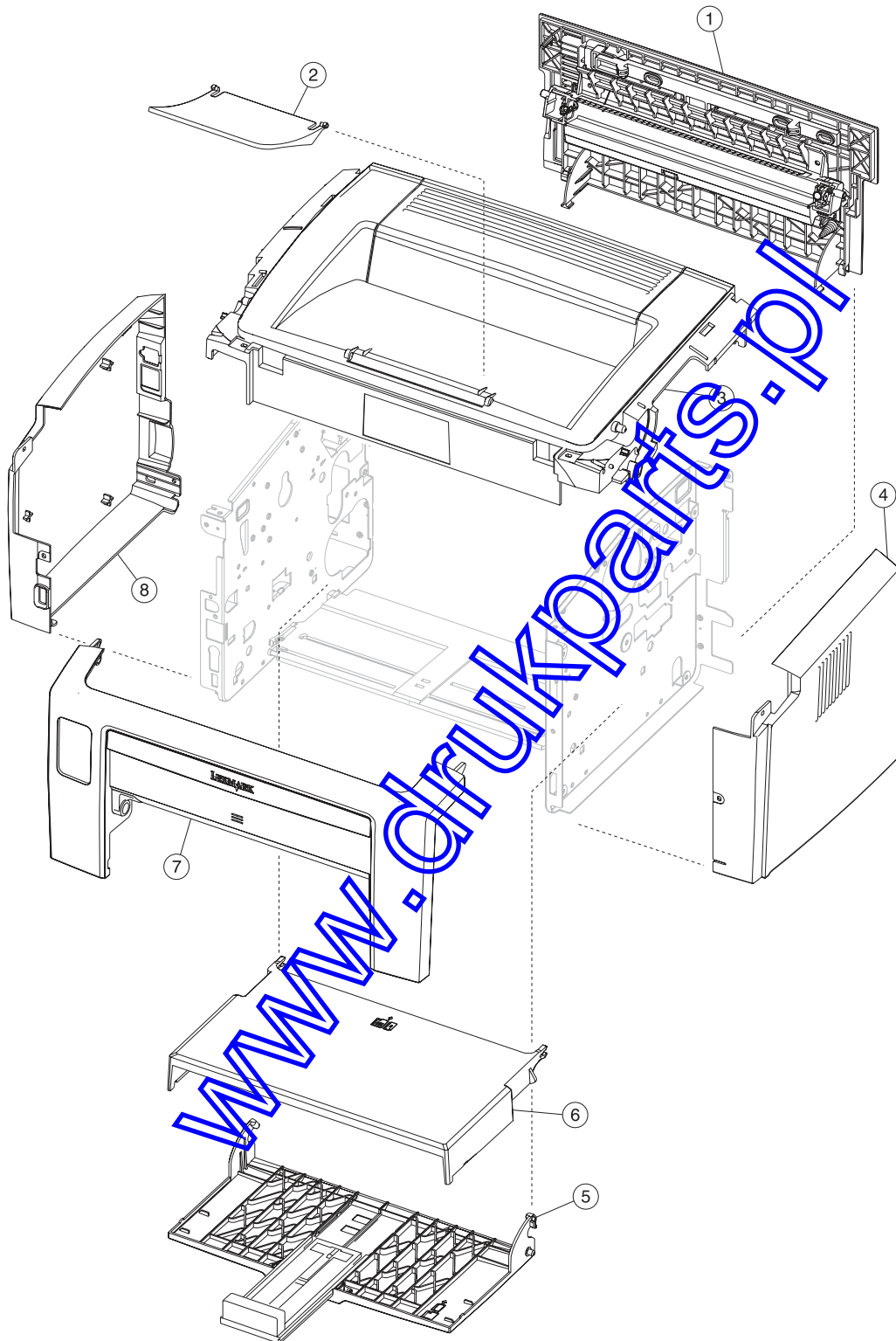
The following legend is used in the parts catalog:

Asm-index	Part number	Units/mach	Units/FRU	Description
-----------	-------------	------------	-----------	-------------

- **Asm-index:** Identifies the assembly and the item in the diagram. For example, 3-1 indicates Assembly 3 and item number 1 in the table.
- **Part number:** Identifies the unique number that identifies this FRU.
- **Units/mach:** Refers to the number of units actually used in the base printer.
- **Units/FRU:** Refers to the number of units packaged together and identified by the part number.
- **NS:** (Not shown) in the Asm-Index column indicates that the part is procurable but is not pictured in the illustration.
- **PP:** (Parts Packet) in the parts description column indicates the part is contained in a parts packet.
- Model information used in the parts catalog:

Abbreviation used	Machine type and model	Description	Network capability
E120	4506-100	Lexmark E120	Non-network
E120n	4506-110	Lexmark E120n	Network

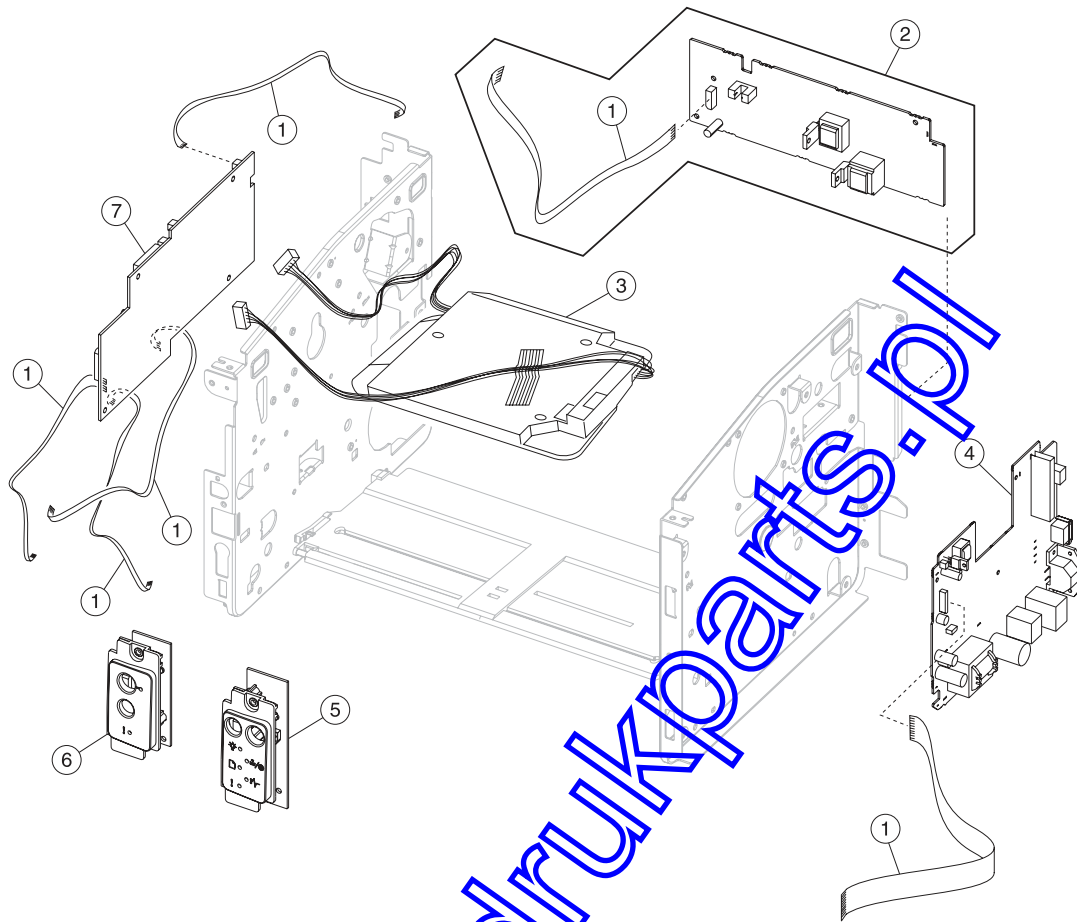
Assembly 1: Covers



Asm-index	Part number	Units/mach	Units/FRU	Description
1—1	40X1293	1	1	Rear door assembly
2	40X1295	1	1	Output tray extender
3	40X1290	1	1	Top cover assembly
4	40X1289	1	1	Right cover
5	40X1294	1	1	Main tray assembly
6	40X1291	1	1	Tray cover
7	40X1292	1	1	Front door assembly
8	40X1288	1	1	Left cover

www.drukparts.pl

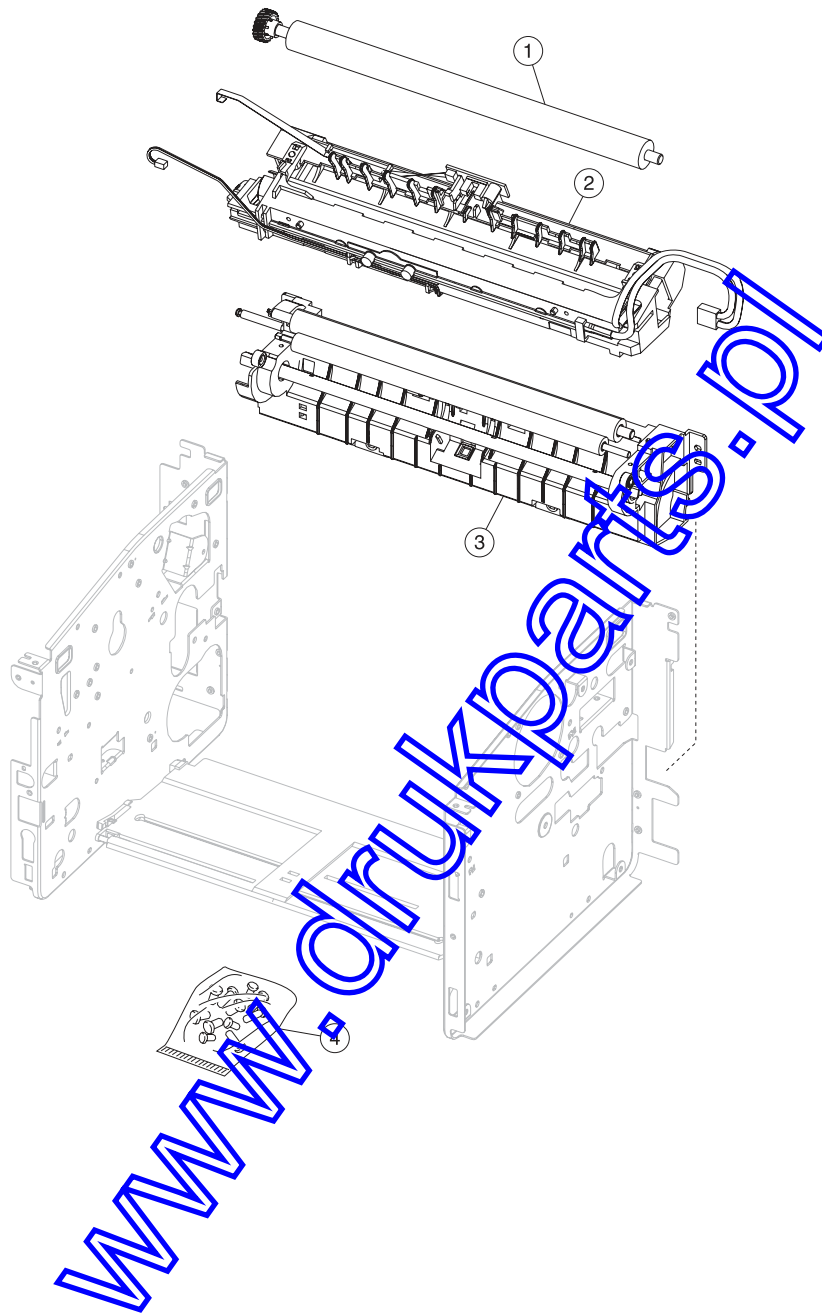
Assembly 2: Electronics



Asm-index	Part number	Units/mach	Units/FRU	Description
2—1	40X1296	1	1	Miscellaneous flat cables
2	40X1297	1	1	Transfer card and input sensor
3	40X1284	1	1	Printhead assembly, including cables
4	40X1278	1	1	LVPS/HVPS, 110 V
4	40X1279	1	1	LVPS/HVPS, 220 V
5	40X1282	1	1	Operator panel (2 button, 6 light), E120n
6	40X1283	1	1	Operator panel (2 button, 2 light), E120
7	40X1280	1	1	Controller card, E120
7	40X1281	1	1	Controller card, E120n

www.drukparts.pl

Assembly 3: Frame



Asm-index	Part number	Units/mach	Units/FRU	Description
3—1	40X1287	1	1	Transfer roll assembly
2	40X1276	1	1	Fuser assembly, 110 V
2	40X1277	1	1	Fuser assembly, 220 V
2	40X1298	1	1	Fuser assembly, 100 V
3	40X1285	1	1	Paper pick assembly
4	40X1299			Screws, parts packet

www.drukparts.pl

Assembly 4: Miscellaneous

Asm-index	Part number	Units/mach	Units/FRU	Description
NS	40X0289	1	1	Power cord—U.S.A. and Canada
NS	40X0271	1	1	Power cord, 8 ft.—United Kingdom
NS	40X0274	1	1	Power cord, 6 ft.—Switzerland
NS	40X0275	1	1	Power cord, 6 ft.—Israel
NS	40X0276	1	1	Power cord, 6 ft., straight—South Africa
NS	40X0277	1	1	Power cord, 6 ft., straight—Brazil
NS	40X0278	1	1	Power cord, HV 6 ft., straight—Austria
NS	40X0279	1	1	Power cord, 6 ft., straight—Denmark
NS	40X0280	1	1	Power cord—Korea
NS	40X0281	1	1	Power cord, 1.8M, straight—Taiwan
NS	40X0282	1	1	Power cord, 6 ft., straight—PRC
NS	40X0287	1	1	Power cord—Italy
NS	40X0288	1	1	Power cord—Argentina
NS	40X0296	1	1	Power cord—Australia
NS	7375411	1	1	Relocation packaging kit

www.drukparts.pl