

7. Parts catalog

How to use this parts catalog

The following legend is used in the parts catalog:

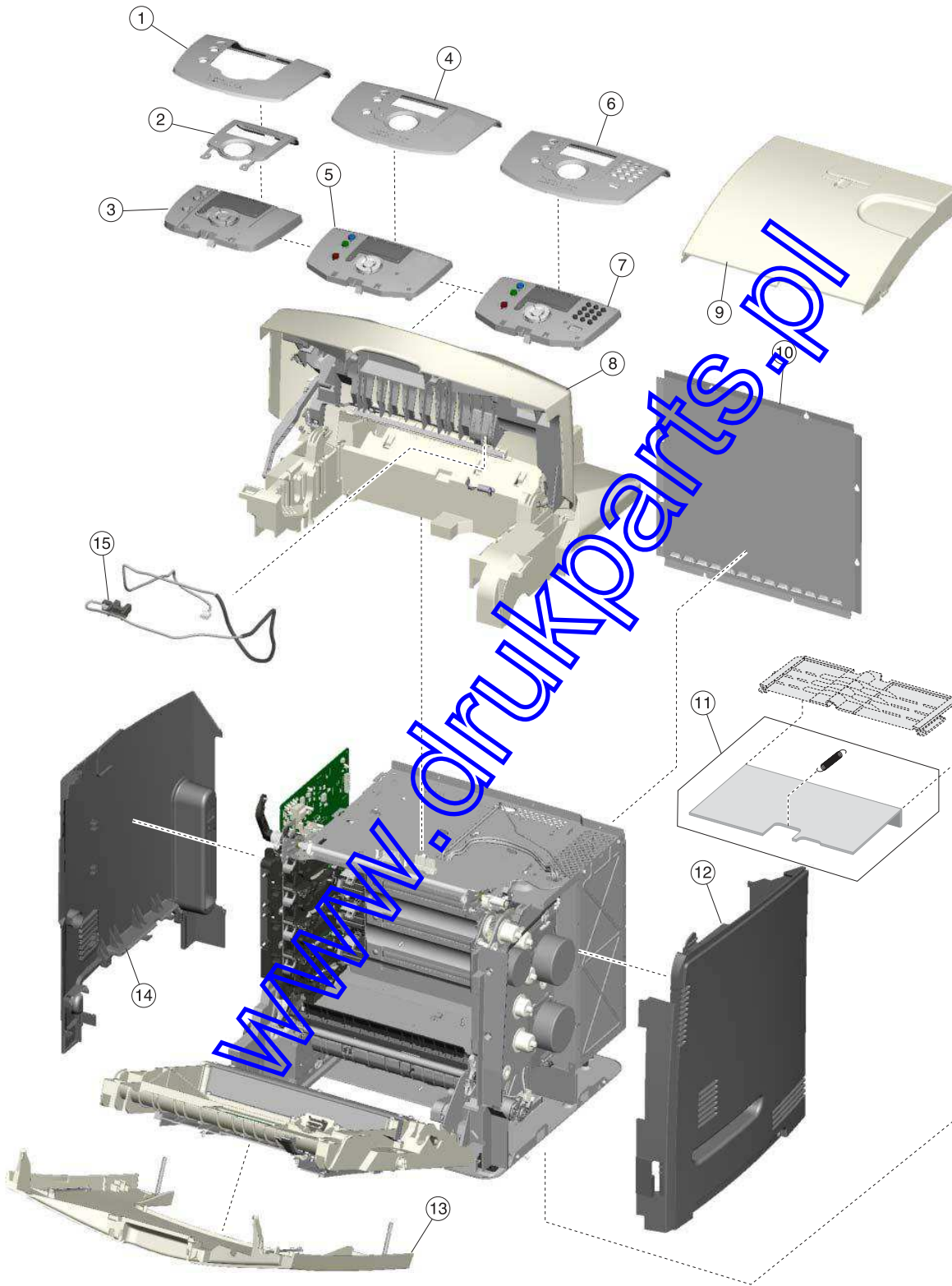
Asm-Index	Part number	Units/mach	Units/FRU	Description
-----------	-------------	------------	-----------	-------------

- **Asm-index:** identifies the assembly and the item in the diagram. For example, 3-1 indicates Assembly 3 and the item number 1.
- **Part number:** identifies the unique number that identifies this FRU.
- **Units/mach:** refers to the number of units actually used in the base printer or product.
- **Units/FRU:** refers to the number of units packaged together and identified by the part number.
- **NS:** (Not shown) in the Asm-Index column indicates that the part is procurable but is not pictured in the illustration.

Model information used in the parts catalog.

Model name	Configuration	Machine type
Lexmark C520n	Network	5022-010
Lexmark C522n	Network	5022-210
Lexmark C524	Non-network	5022-400
Lexmark C524n	Network	5022-410
Lexmark C524dn	Network	5022-430
Lexmark C530dn	Duplex, network	5022-130
Lexmark C532n	Network	5022-310
Lexmark C532dn	Duplex, network	5022-330
Lexmark C534n	Network	5022-510
Lexmark C534dn/dtn	Duplex, network (550-sheet tray)	5022-530

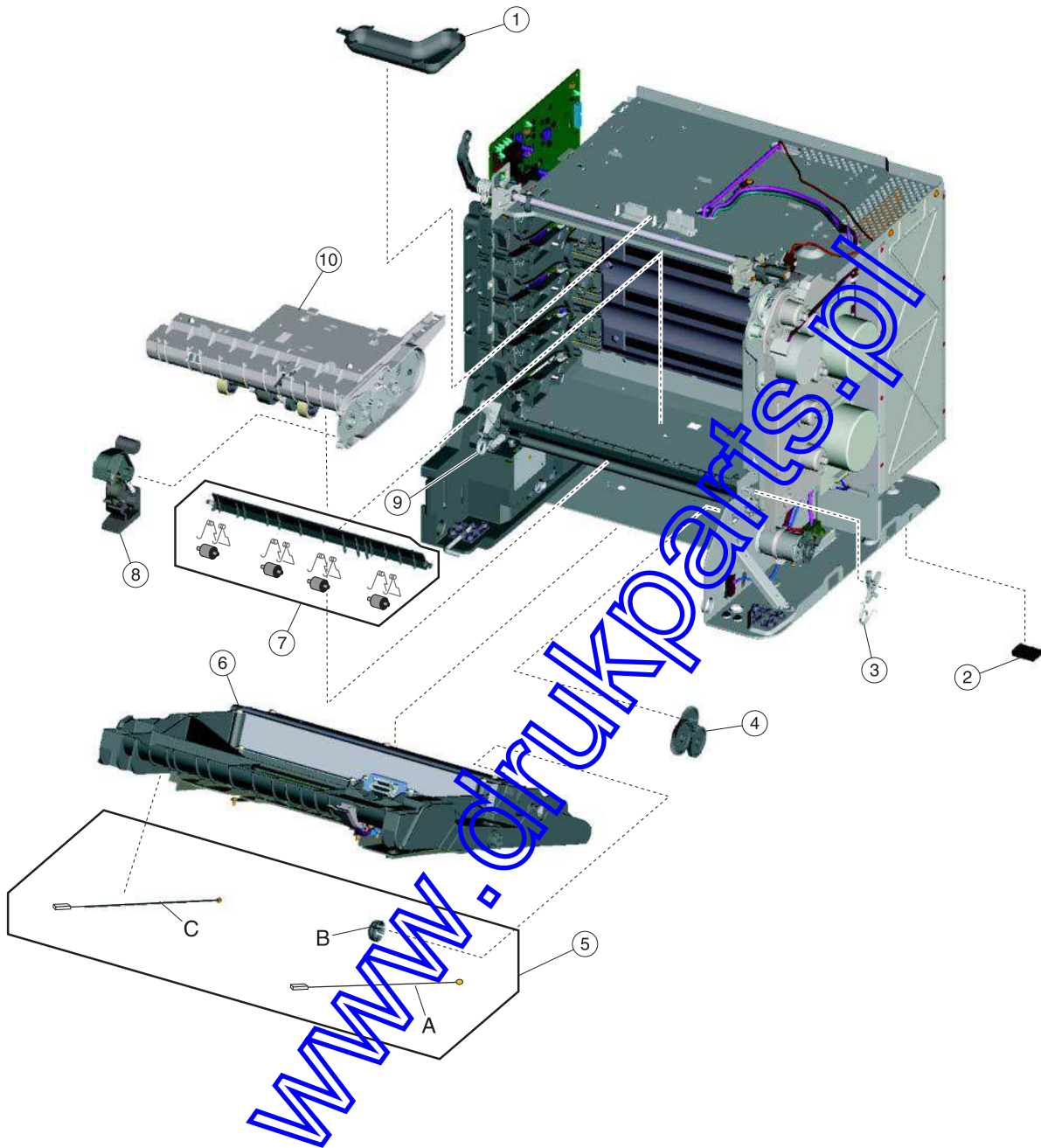
Assembly 1: Covers



Assembly 1: Covers

Index	P/N	Units/ mach	Units/ FRU	Description
1-1	40X1415	1	1	Outer bezel, C52x
2	40X1448	1	1	Inner bezel, C524/C524n/C524dn
2	40X1449	1	1	Inner bezel, C522n
2	40X1450	1	1	Inner bezel, C520n
3	40X1414	1	1	Operator panel assembly, C52x
4	40X3608	1	1	Bezel, C530dn
4	40X3585	1	1	Bezel, C532n
4	40X3586	1	1	Bezel, C532dn
5	40X3582	1	1	Operator panel assembly, C530dn/C532n/C532dn
6	40X3587	1	1	Bezel, C534n
6	40X3588	1	1	Bezel, C534dn
7	40X3583	1	1	Operator panel assembly, C534n/C534dn
8	40X1451	1	1	Top access cover assembly (network), C520n/C522n/C524n/C524dn
8	40X1412	1	1	Top access cover assembly (non-network), C524
8	40X3604	1	1	Top access cover assembly (network), C532n/C534n
8	40X3605	1	1	Duplex top access assembly (network), C530dn/C532dn/C534dn
9	40X1422	1	1	Exit tray cover, C52x
9	40X3594	1	1	Exit tray cover, C53x
10	40X1427	1	1	Rear cover
11	40X3612	1		Paper tray dust cover with dust cover spring, C53x
12	40X1425	1	1	Right cover
13	40X1443	1	1	Front access door cover assembly (duplex), C524dn only
13	40X1413	1	1	Front access door cover assembly (non-duplex), C520n/C522n/C524n/C524dn
13	40X3602	1	1	Front access door cover assembly (duplex), C530dn/C532dn/C534dn
13	40X3581	1	1	Front access door cover assembly (non-duplex), C532n/C534n
14	40X1426	1	1	Left cover
15	40X1440	1	1	Bin full sensor with cable, C520n/C522n/C524n/C524dn
15	40X3601	1	1	Bin full sensor with cable, C53x

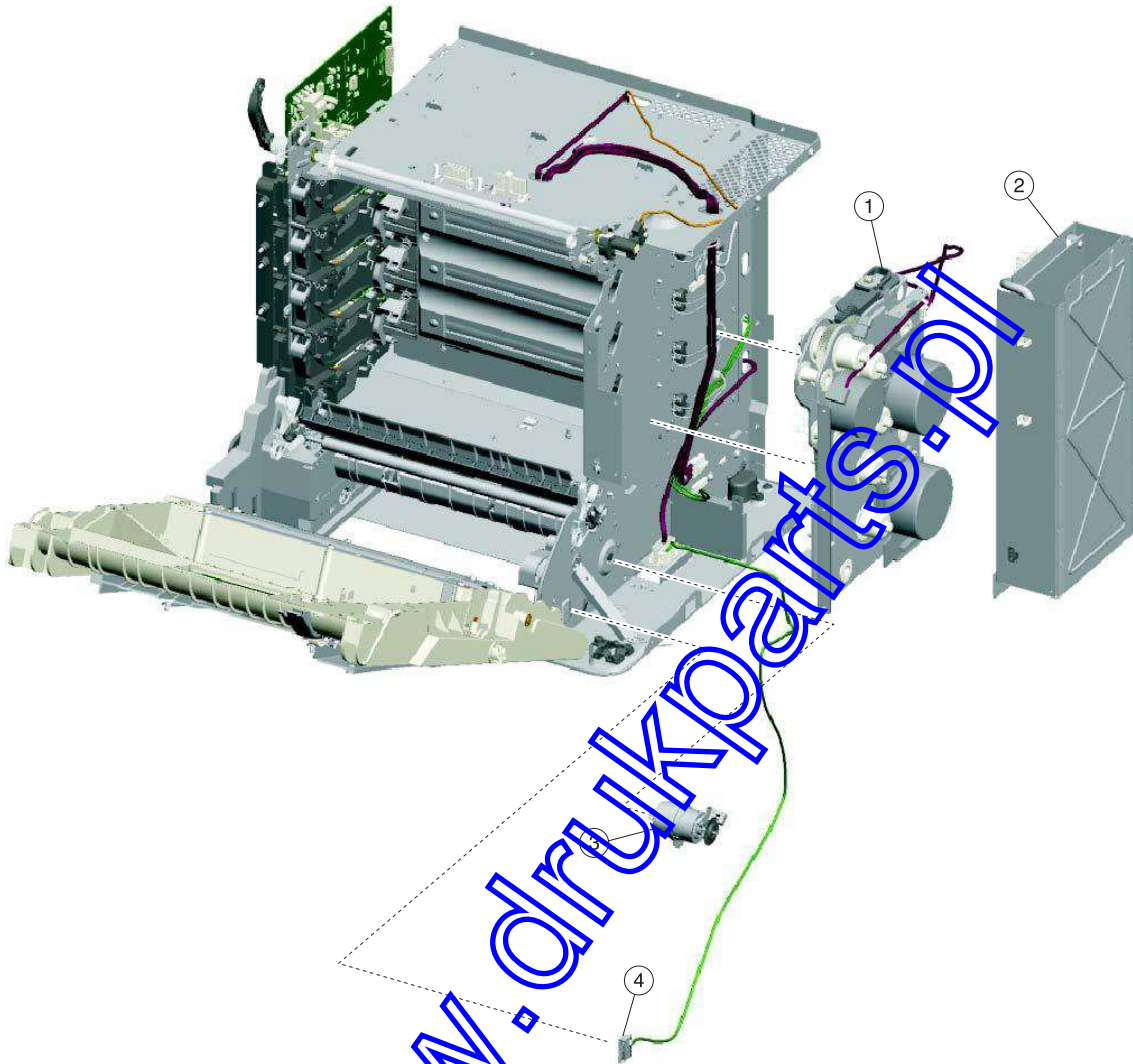
Assembly 2: Front



Assembly 2: Front

Index	P/N	Units/ mach	Units/ FRU	Description
2-1		1	1	Fuser cable cover, included in parts packet (P/N 40X1430), C52x
1		1	1	Fuser cable cover, included in parts packet (P/N 40X3598), C53x
2		4	1	Printer pad, included in parts packet, screws (P/N 40X1431)
3	40X1446	1	1	Right bellcrank assembly
4	40X1432	1	1	Bump aligner gear kit, including: <ul style="list-style-type: none"> Align idler gear (1) First reduction gear (1) Second reduction gear (1) Grease packet (1) Washers (3)
5	40X1420	1	1	Front door parts packet, C52x, including <ul style="list-style-type: none"> A—Right cable assembly (1) B—Front door cap (1) C—Left cable assembly (1)
5	40X3593	1	1	Front door parts packet, C53x, including <ul style="list-style-type: none"> A—Right cable assembly (1) B—Front door cap (1) C—Left cable assembly (1)
6	40X1419	1	1	Duplex front door assembly, C524n
6	40X1418	1	1	Front door assembly, C520n/C522n/C524n
6	40X3592	1	1	Duplex front door assembly, C530dn/C532dn/C534dn
6	40X3590	1	1	Front door assembly, C532n/C534n
7	40X3615	1	1	Deflector assembly, C53x
8	40X1435	1	1	MPF swing arm assembly, C52x
9	40X1447	1	1	Left bellcrank assembly
10	40X1405	1	1	Paper pick mechanism assembly, C52x
10	40X3573	1	1	Paper pick mechanism assembly, C53x

Assembly 3: Right

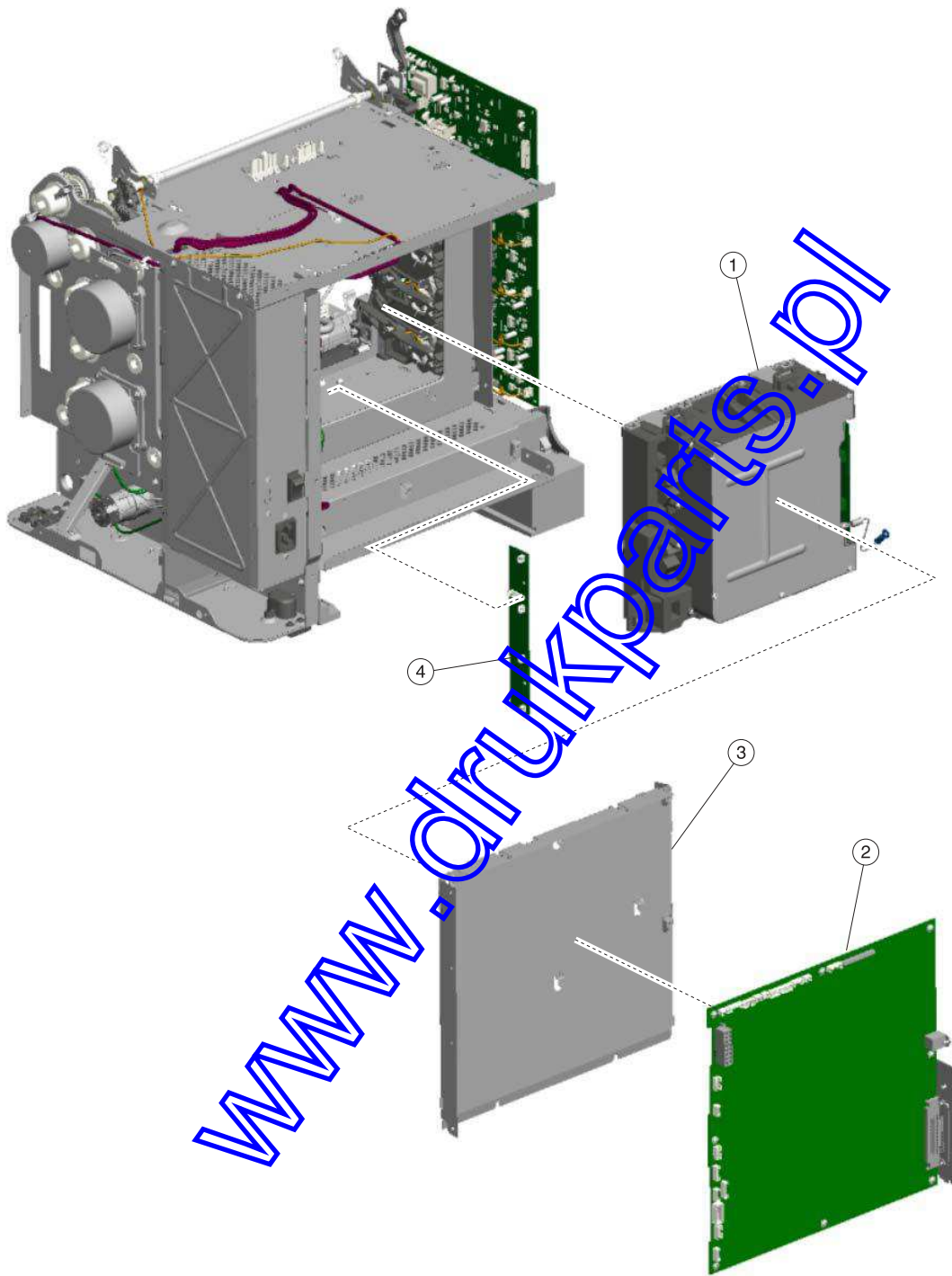


Assembly 3: Right

Index	P/N	Units/ mach	Units/ FRU	Description
3-1	40X1409	1	1	EP drive assembly, C52x
1	40X3578	1	1	EP drive assembly, C53x
2	40X3574	1	1	Low voltage power supply, 115/230 V
3	40X1433	1	1	Bump aligner motor
4	40X1436	1	1	Front door 5 V interlock switch
NS	40X1445	1	1	Ground contact plate, C52x only

www.drukparts.pl

Assembly 4: Rear

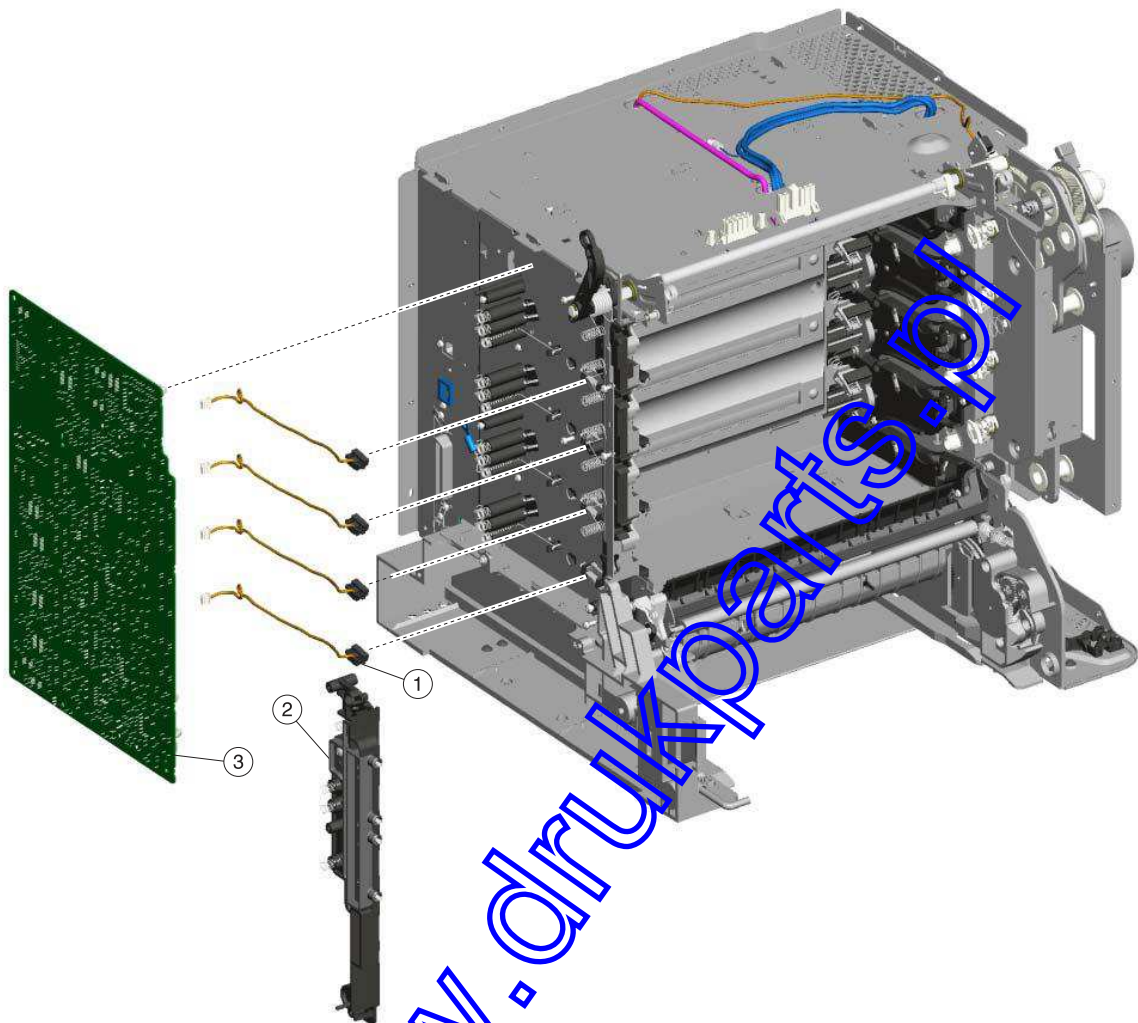


Assembly 4: Rear

Index	P/N	Units/ mach	Units/ FRU	Description
4-1	40X2167	1	1	Printhead assembly, C52x
1	40X2168	1	1	Printhead assembly, C53x
2	40X4218	1	1	System card (network), C524n/C524dn
2	40X4219	1	1	System card (network), C520n/C522n
2	40X4217	1	1	System card, C524
2	40X3616	1	1	System card (network), C530dn/C532n/C532dn
2	40X3617	1	1	System card (network), C534n
2	40X3618	1	1	System card (network), C534dn
3	40X1429	1	1	System card support shield, C52x
3	40X3597	1	1	System card support shield, C53x
4	40X1410	1	1	Smart chip card, C52x only

www.drukparts.pl

Assembly 5: Left

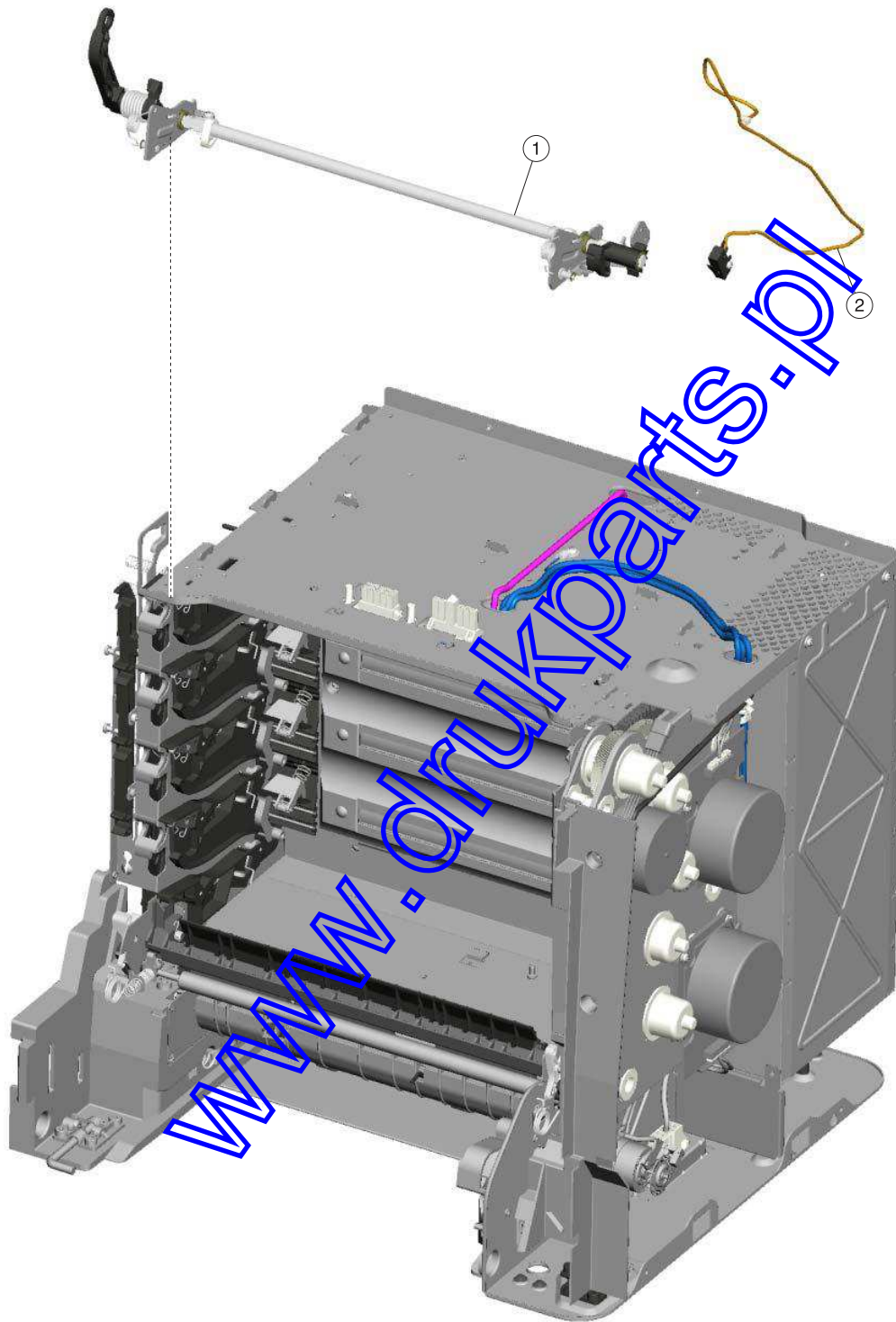


Assembly 5: Left

Index	P/N	Units/ mach	Units/ FRU	Description
5-1	40X1416	4	1	Toner level sensor
2	40X1428	1	1	Transfer contact assembly
3	40X1411	1	1	High voltage power supply, C52x
3	40X3579	1	1	High voltage power supply, C53x

www.drukparts.pl

Assembly 6: Top

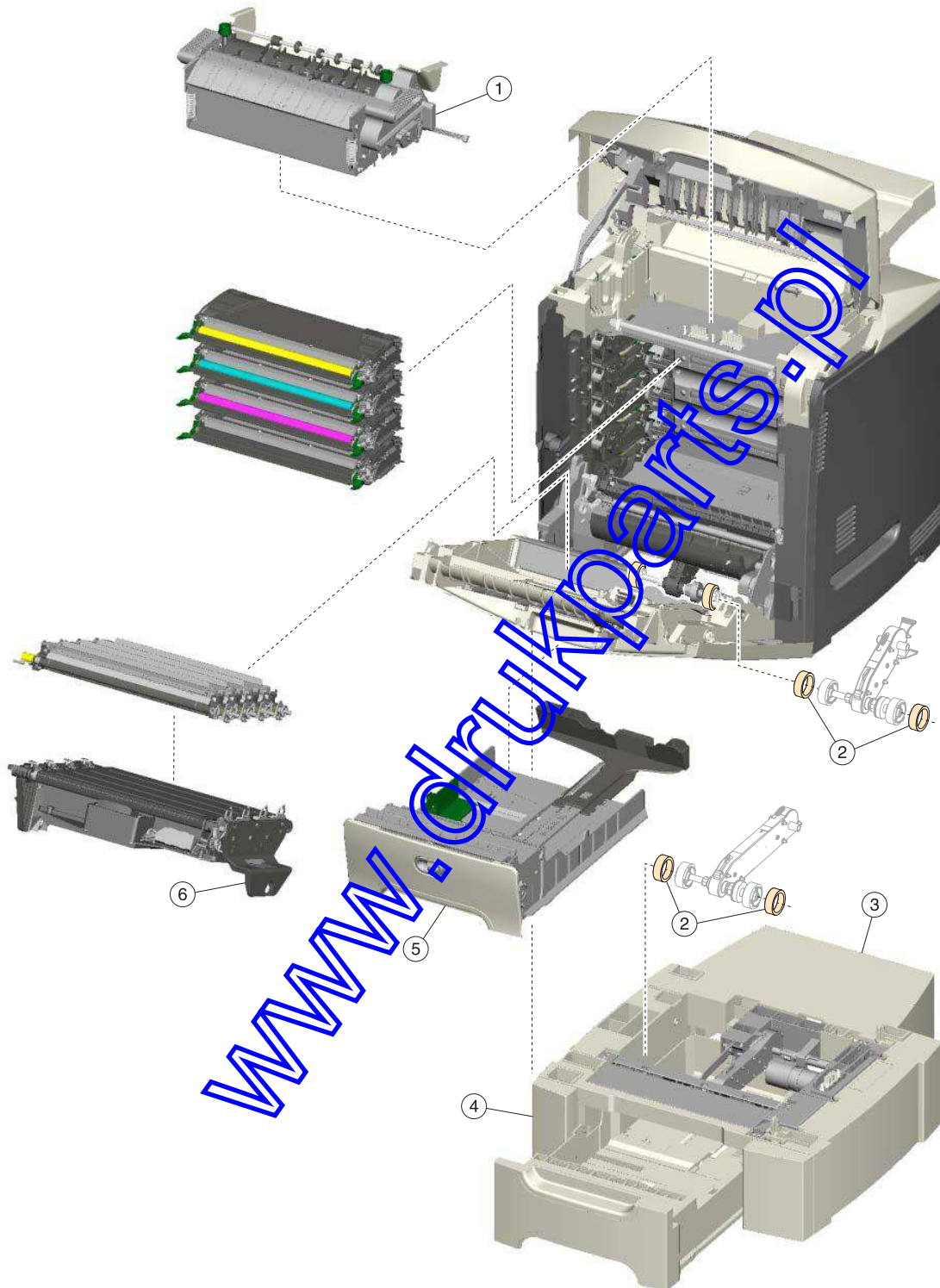


Assembly 6: Top

Index	P/N	Units/ mach	Units/ FRU	Description
6-1	40X3613	1	1	Top cover camshaft assembly
2	40X1437	1	1	Top access door 24 V interlock switch

www.drukparts.pl

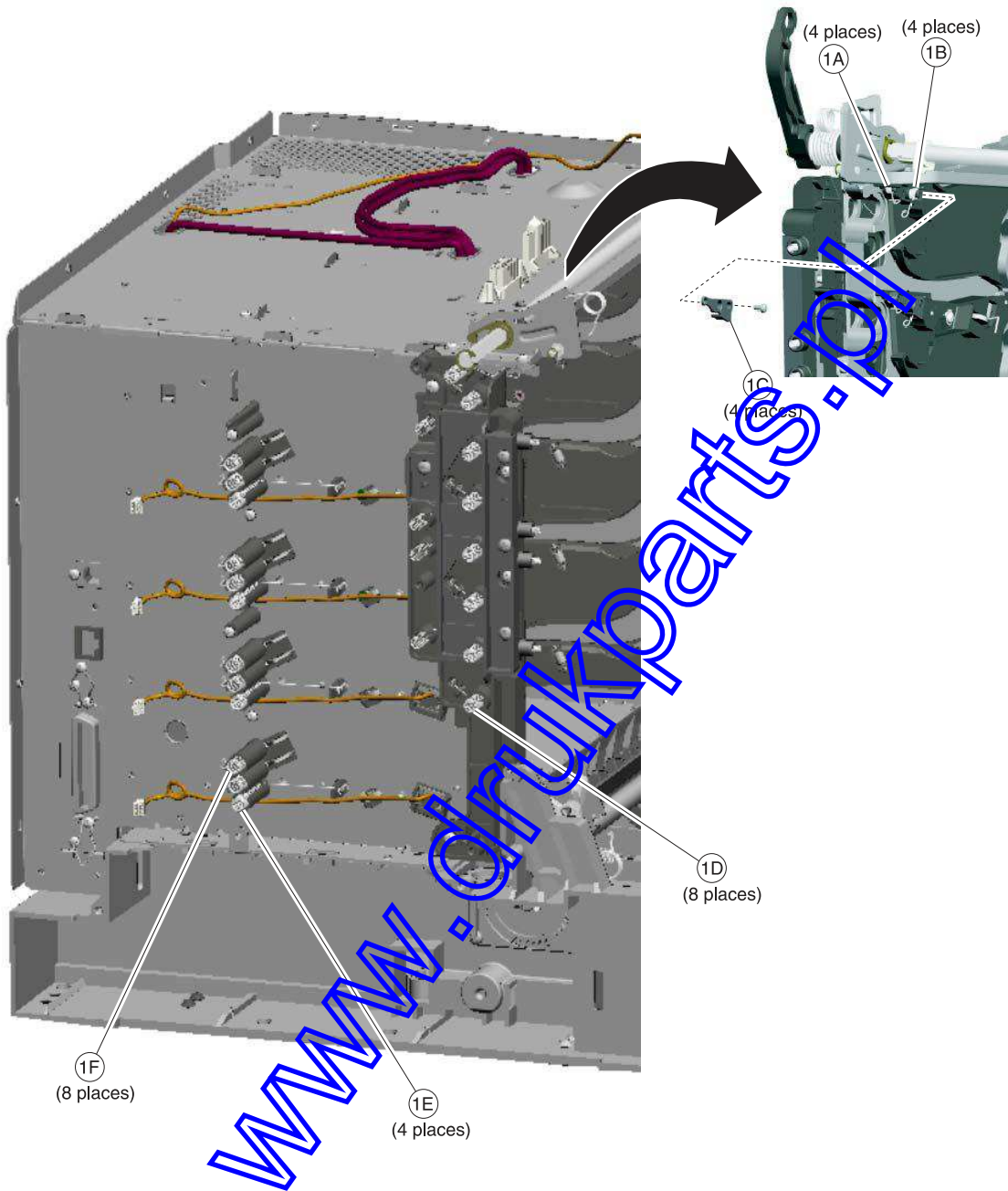
Assembly 7: Customer replaceable units (CRUs)



Assembly 7: CRUs

Index	P/N	Units/ mach	Units/ FRU	Description
7-1	40X1400	1	1	Fuser assembly, 115 V, C52x
1	40X1402	1	1	Fuser assembly, 230 V, C52x
1	40X1403	1	1	Fuser assembly, 100 V, C52x
1	40X3569	1	1	Fuser assembly, 115 V, C53x (also can be used in C52x)
1	40X3570	1	1	Fuser assembly, 230 V, C53x (also can be used in C52x)
1	40X3571	1	1	Fuser assembly, 100 V, C53x (also can be used in C52x)
2	40X3607	4	2	Pick arm roll
3	40X1439	1	1	Option tray assembly, 500-sheet option (includes tray), C522n/C524/ C524n/C524dn
3	40X3600	1	1	Option tray assembly, 550-sheet option (includes tray), C532n/C532dn/ C534n/C534dn
4	40X1423	1	1	Tray assembly, 500-sheet, C522n/C524n/C524dn
4	40X3595	1	1	Tray assembly, 550-sheet, C532n/C532dn/C534n/C534dn
5	40X1404	1	1	MPF paper tray assembly, 250-sheet, C524/C524n/C524dn
5	40X1424	1	1	Paper tray assembly, single feeder, C520n/C522n
5	40X3599	1	1	MPF paper tray assembly, 250-sheet, C530dn/C532dn/C534dn
5	40X3596	1	1	Paper tray assembly, single feeder, C532n, C534n
6	40X1401	1	1	Transfer belt assembly, C52x
6	40X3572	1	1	Transfer belt assembly, C53x
NS	40X0297	1	1	Power cord—USA, Canada, Bolivia, Peru
NS	40X0288	1	1	Power cord—Argentina
NS	40X0296	1	1	Power cord—Australia, New Zealand
NS	40X0278	1	1	Power cord—Austria, Belgium, Catalan, Czechoslovakia, Finland, France, Germany, Greece, Hungary, Ireland, Italy, Netherlands, Norway, Paraguay, Poland, Portugal, Russia, Spain, Sweden, Turkey, United Kingdom
NS	40X0286	1	1	Power cord—Hong Kong, Ireland, United Kingdom
NS	40X3611	1	1	Power cord—Brazil
NS	40X0287	1	1	Power cord—Chile, Uruguay
NS	40X0282	1	1	Power cord—China
NS	40X0279	1	1	Power cord—Denmark, Finland, Norway, Sweden
NS	40X0275	1	1	Power cord—Israel
NS	40X3609	1	1	Power cord—Japan
NS	40X0280	1	1	Power cord—Korea
NS	40X0276	1	1	Power cord—South Africa
NS	40X0274	1	1	Power cord—Switzerland
NS	40X3610	1	1	Power cord—Taiwan

Assembly 8: Contact springs

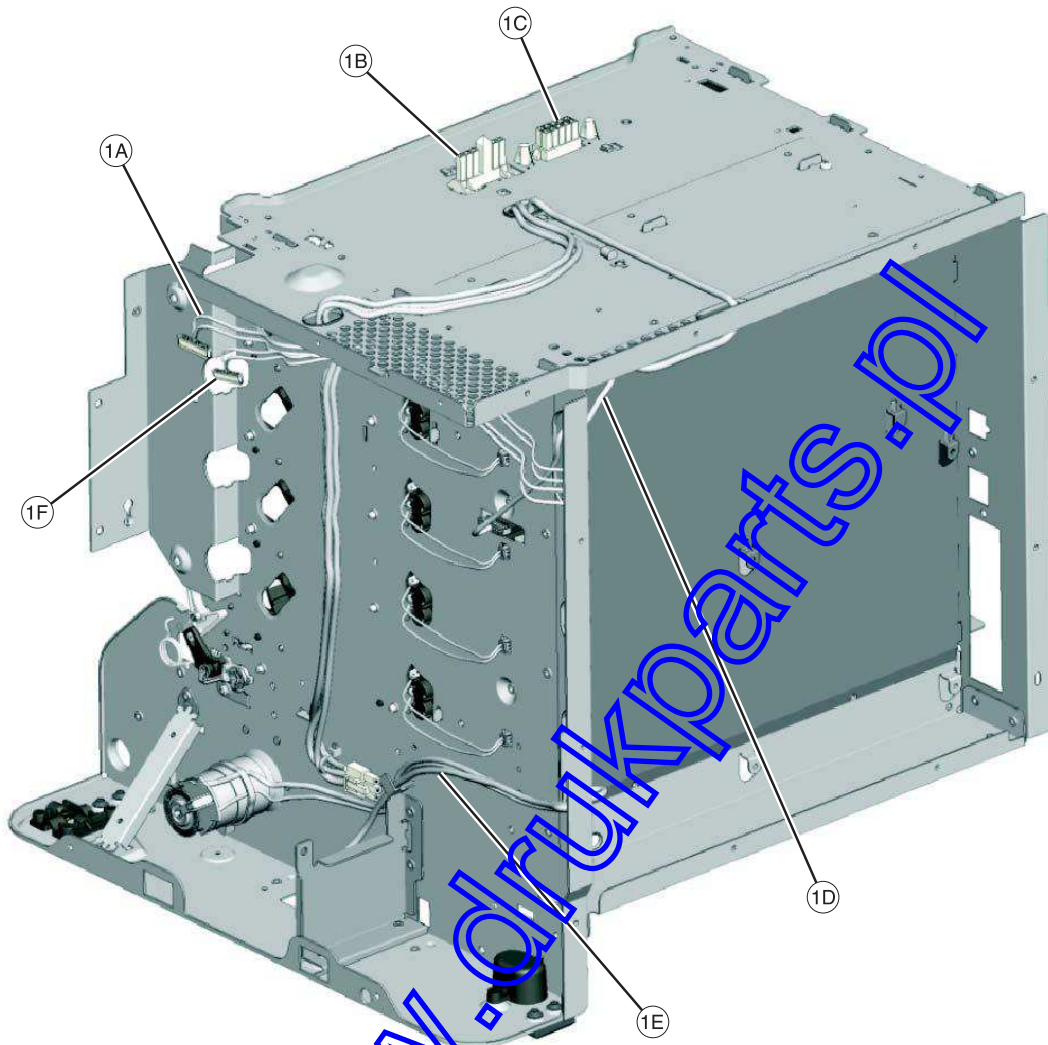


Assembly 8: Contact springs

Index	P/N	Units/ mach	Units/ FRU	Description
8-1	40X1434	1	1	Contact springs kit, including: <ul style="list-style-type: none">• A—Torsion PCD contact spring (4)• B—Torsion CR contact spring (4)• C—Contact spring cap (4)• D—Charge roll contact spring (8)• E—HVPS TAR contact spring (4)• F—HVPS doctor/developer contact spring (8)

www.drukparts.pl

Assembly 9: Cable parts packet



Assembly 9: Cable parts packet

Index	P/N	Units/ mach	Units/ FRU	Description
9-1	40X1430	1	1	Cables, C52x, including <ul style="list-style-type: none"> • A—Cartridge motor cable (1) • B—Fuser AC cable (1) • C—Fuser DC cable (1) • D—Smart chip cable (1) • E—Option cable (1) • Fuser cable cover (1) (see “Front” on page 7-4 for part identification and location) • Duplex cable (1)
2	40X3598	1	1	Cables, C53x, including <ul style="list-style-type: none"> • A—Cartridge motor cable (1) • B—Fuser AC cable (1) • C—Fuser DC cable (1) • E—Option cable (1) • F—Transport motor cable (1) • Fuser cable cover (1) (see “Front” on page 7-4 for part identification and location) • Duplex cable (1)

www.drukparts.pl

Assembly 10: Miscellaneous

Index	P/N	Units/ mach	Units/ FRU	Description
NS	40X1431	1	1	Parts packet, screw (contains one of each screw used in the printer, with the exception of the parts specifically called out.)
NS	40X1508	1	1	128 MB SDRAM, 100-pin
NS	40X1509	1	1	256 MB SDRAM, 100-pin
NS	40X1510	1	1	512 MB SDRAM, 100-pin
NS	40X1454	1	1	32 MB flash card
NS	40X1455	1	1	64 MB flash card
NS	40X1515	1	1	Korean font card
NS	40X1514	1	1	Traditional Chinese font card
NS	40X1513	1	1	Simplified Chinese font card
NS	40X1512	1	1	Japanese font card
NS	40X2664	1	1	Bar code card, C524/C524n/C524dn
NS	40X4653	1	1	Bar code card, C534n/C534dn
NS	40X4225	1	1	PrintCryption card, C524/C524n/C524dn
NS	40X4655	1	1	PrintCryption card, C534n/C534dn
NS	40X2663	1	1	Forms card, C524/C524n/C524dn
NS	40X4654	1	1	Forms card, C534n/C534dn
NS	40X1375	1	1	MarkNet N8000 fast ethernet print server, C524/C524dn
NS	40X1376	1	1	MarkNet N8020 gigabit ethernet print server, C524/C524dn/C534n/C534dn
NS	40X1377	1	1	MarkNet N8030 fiber ethernet print server, C524/C524dn/C534n/C534dn
NS	40X1378	1	1	MarkNet N8050 802.11g wireless print server (US/Americas), C524/C524dn/C534n/C534dn
NS	40X1562	1	1	MarkNet N8050 802.11g wireless print server (rest of world), C524/C524n/C524dn/C534n/C534dn
NS	40X0291	1	1	Parallel 1284 B interface card adapter, C524/C524n/C524dn, C534n/C534dn
NS	40X0290	1	1	Serial interface card adapter, C524/C524n/C524dn, C534n/C534dn
NS	40X2610	1	1	400 GB hard disk assembly, C524n/C524dn/C534n/C534dn/C534dtn
NS	7377018	1	1	Printer relocation kit
NS	7377200	1	1	Options tray relocation kit