



*Service Manual*

**Lexmark C510**

**5021-0XX**

- **Table of Contents**
- **Start Diagnostics**
- **Safety and Notices**
- **Trademarks**
- **Index**

[www.druckparts.pl](http://www.druckparts.pl)

**LEXMARK**<sup>™</sup>

*Lexmark and Lexmark with diamond design are trademarks of Lexmark International, Inc., registered in the United States and/or other countries.*

---

## 7. Parts catalog

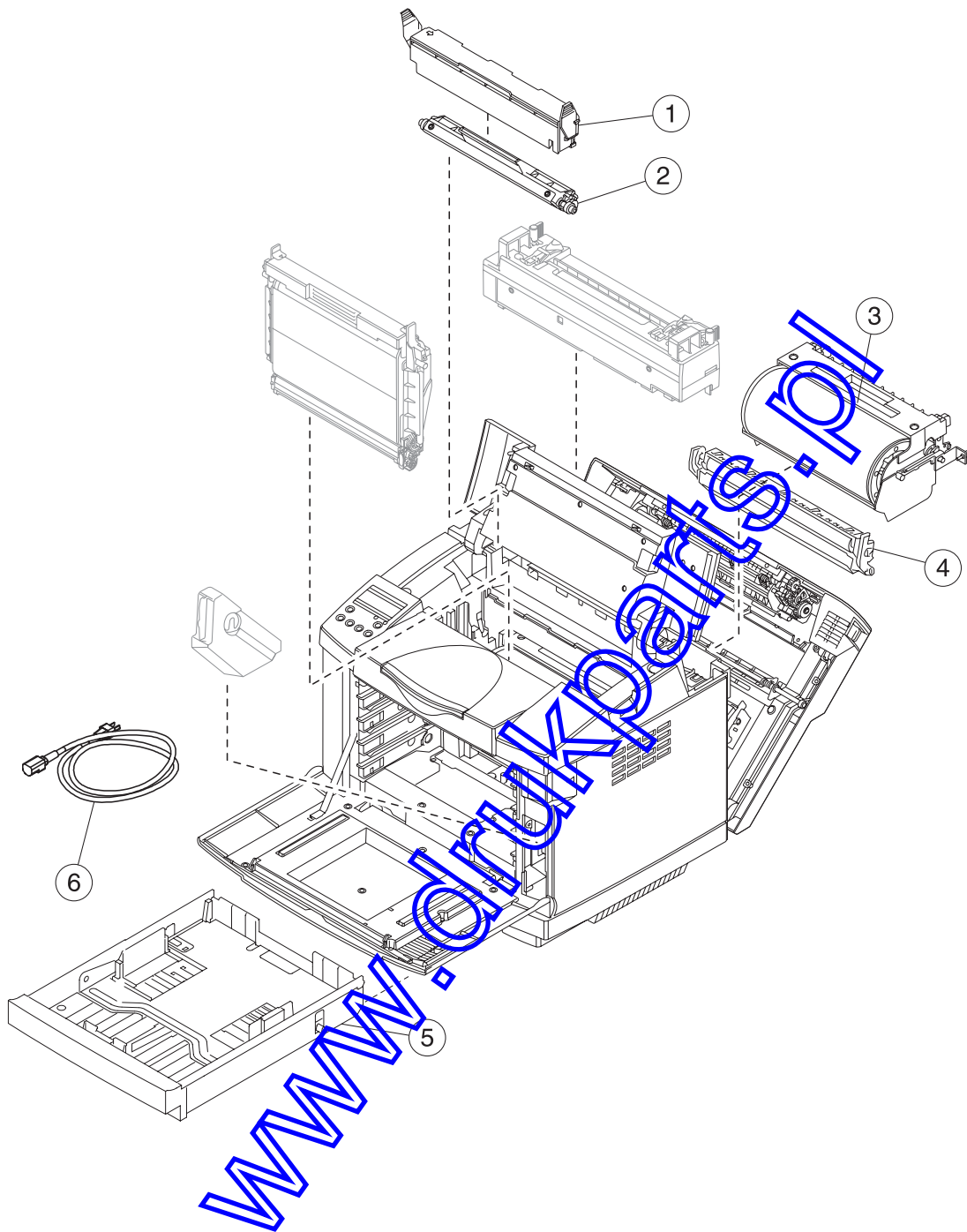
---

### How to use this parts catalog

- **SIMILAR ASSEMBLIES:** If two assemblies contain a majority of identical parts, they are shown on the same list. Common parts are shown by one index number. Parts peculiar to one or the other of the assemblies are listed separately and identified by description.
- **NS: (Not Shown)** in the Asm-Index column indicates that the part is procurable but is not pictured in the illustration.

[www.drukparts.nl](http://www.drukparts.nl)

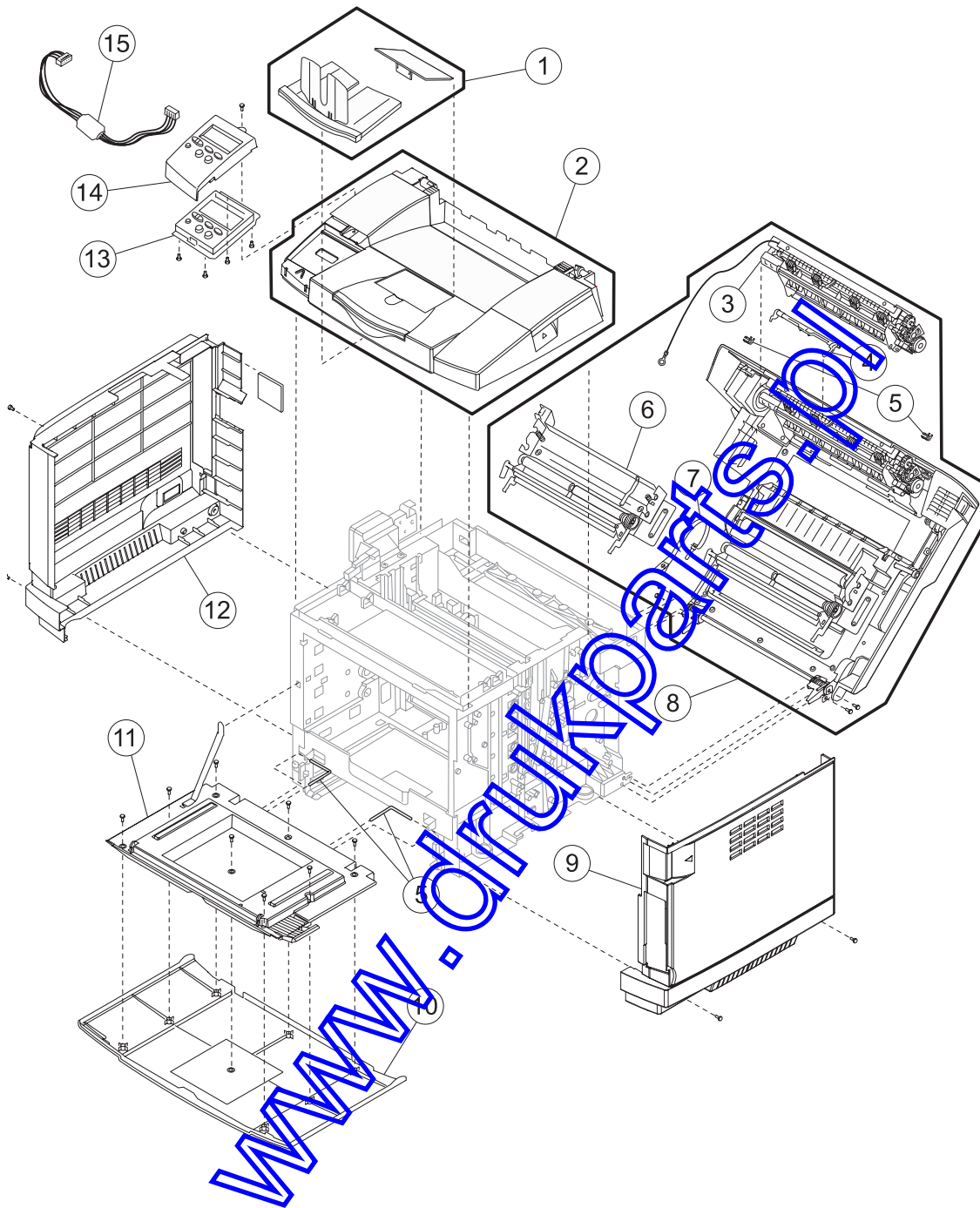
## Assembly 1: Base printer



**Assembly 1: Base printer**

Index	P/N	Units	Description
1-1	56P1611	1	Cover, cleaning roller
2	56P1607	1	Roller, cleaning
3	56P1651	1	Transfer unit
4	56P1660	1	Transfer roller assembly
5	56P1669	1	Paper tray, standard
6	12G7008	1	Power cord, USA
6	1339517	1	Power cord, LV, USA, APG, Bolivia, Canada, Columbia, Costa Rica, Ecuador, El Salvador, Guatemala, Honduras, Mexico, Nicaragua, Panama, Peru, Venezuela
6	1339518	1	Power cord, HV, Argentina
6	1339520	1	Power cord, HV, Brazil
6	1339524	1	Power cord, HV, Chile
6	1339528	1	Power cord, HV, UK, Ireland
6	1339529	1	Power cord, HV, Austria, Belgium, Euro English, Finland, France, Germany, Greece, Netherlands, Norway, Poland, Portugal, Russia, Slovakia/Czech/Hungary, Spain, Sweden, Turkey
6	1339530	1	Power cord, HV, Israel
6	1339531	1	Power cord, HV, Switzerland French, Switzerland German, Switzerland Italian
6	1339532	1	Power cord, HV, South Africa
6	1339533	1	Power cord, HV, Italy
6	1339534	1	Power cord, HV, Denmark

## Assembly 2: Covers

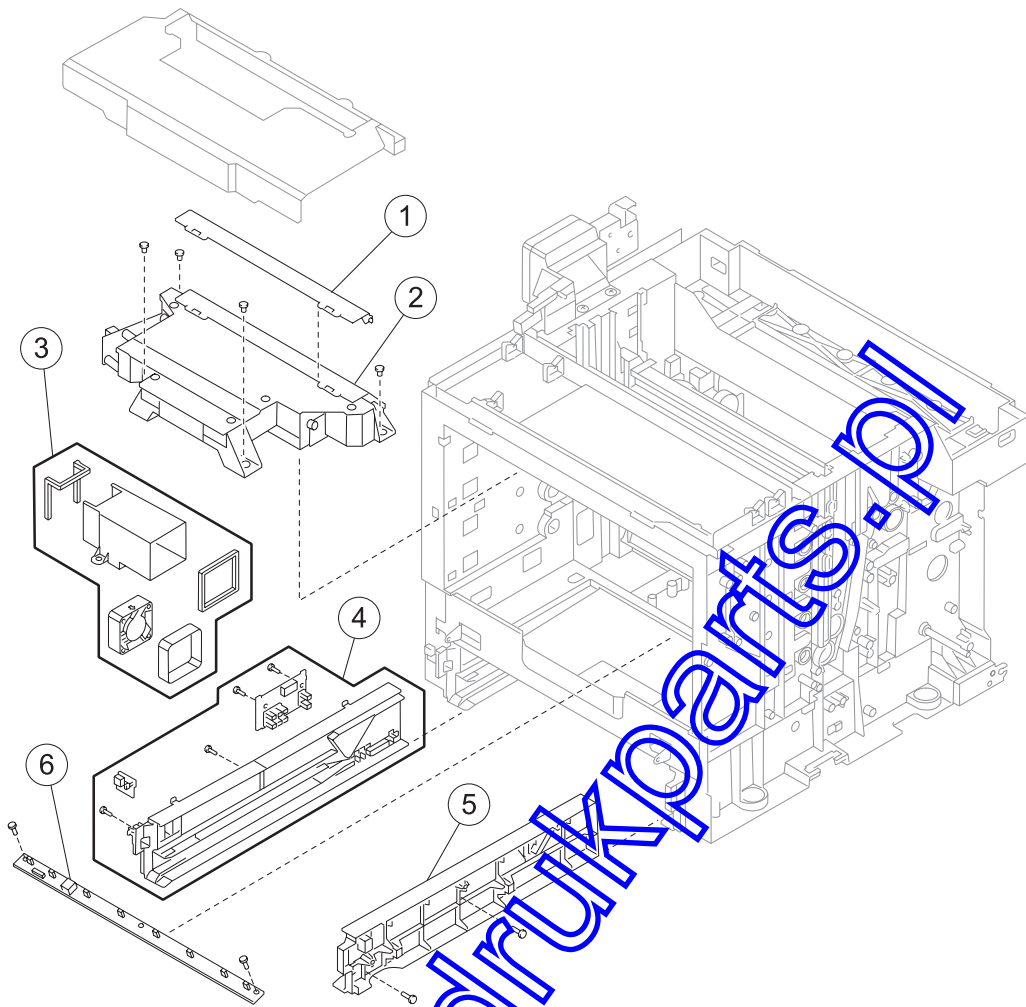


**Assembly 2: Covers**

Index	P/N	Units	Description
2-1	56P1676	1	Assembly, paper ramp and stop
2	56P1612	1	Cover assembly, top
3	56P1677	1	Assembly, paper exit (contains output tray full sensor and flag, fuser exit sensor and flag)
4	56P1672	1	Actuator, paper exit
5		1	Packet, parts P/N 56P1662
6	56P1679	1	Assembly, registration
7	56P1685	1	Strap, rear cover support
8	56P1659	1	Rear cover assembly
9	56P1613	1	Cover, right
10	56P1616	1	Cover, front
11	56P1615	1	Cover, inner front
12	56P1614	1	Cover, left
13	56P1668	1	Operator panel
14	56P1666	1	Cover, operator panel
15	56P1604	1	Cable, operator panel

[www.druckparts.nl](http://www.druckparts.nl)

## Assembly 3: Front



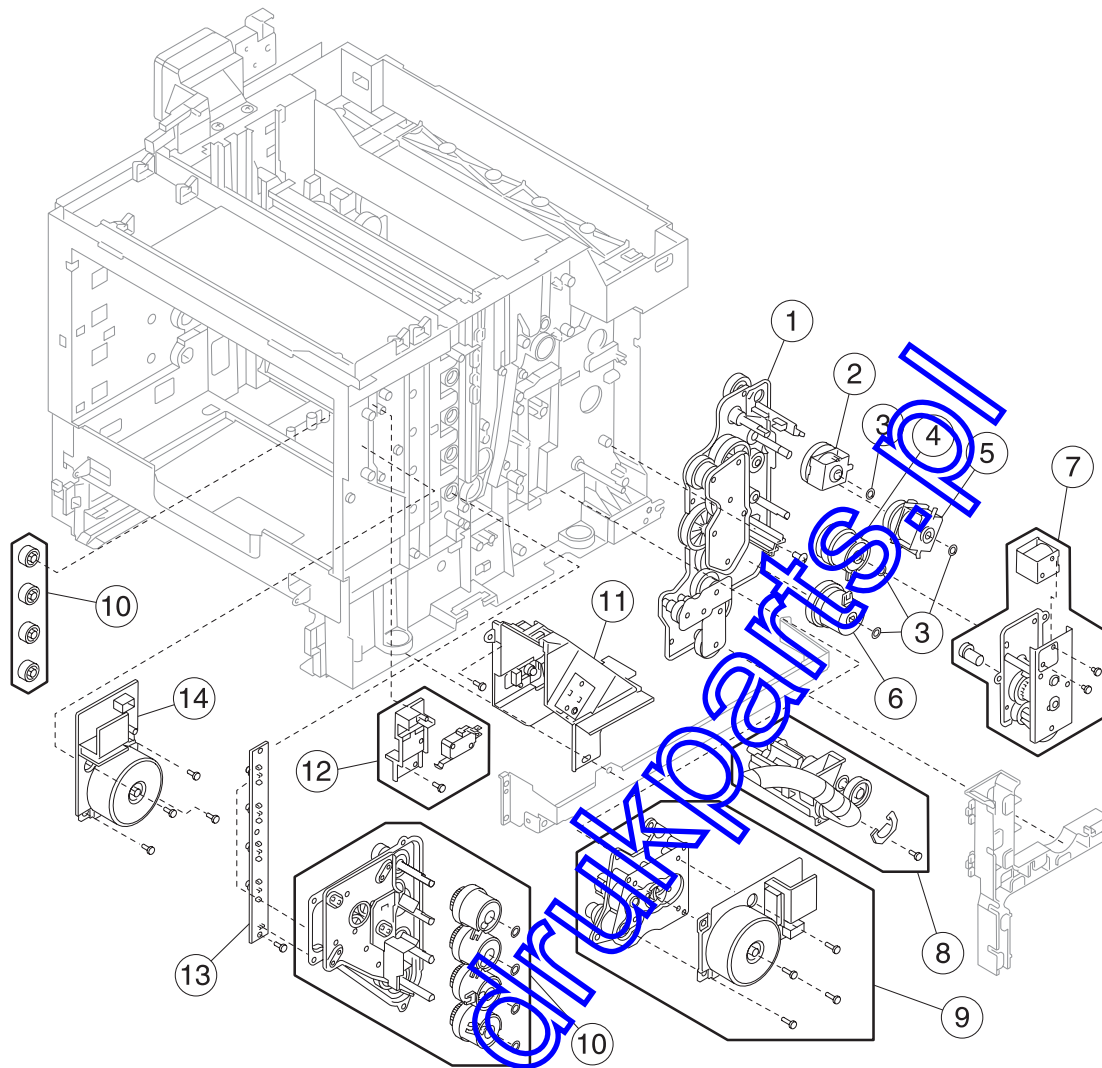
**Assembly 3: Front**

Index	P/N	Units	Description
3-1	56P1688	1	Cover, laser unit assembly lens
2	56P1632	1	Laser unit assembly (printhead)
3	56P1671	1	Fan assembly, laser unit
4	56P1680	1	Left tray guide assembly (includes paper size sensor and temperature thermistor)
5	56P1633	1	Right tray guide
6	56P1657	1	Lamp, erase

[www.drukparts.pl](http://www.drukparts.pl)



# Assembly 4: Right



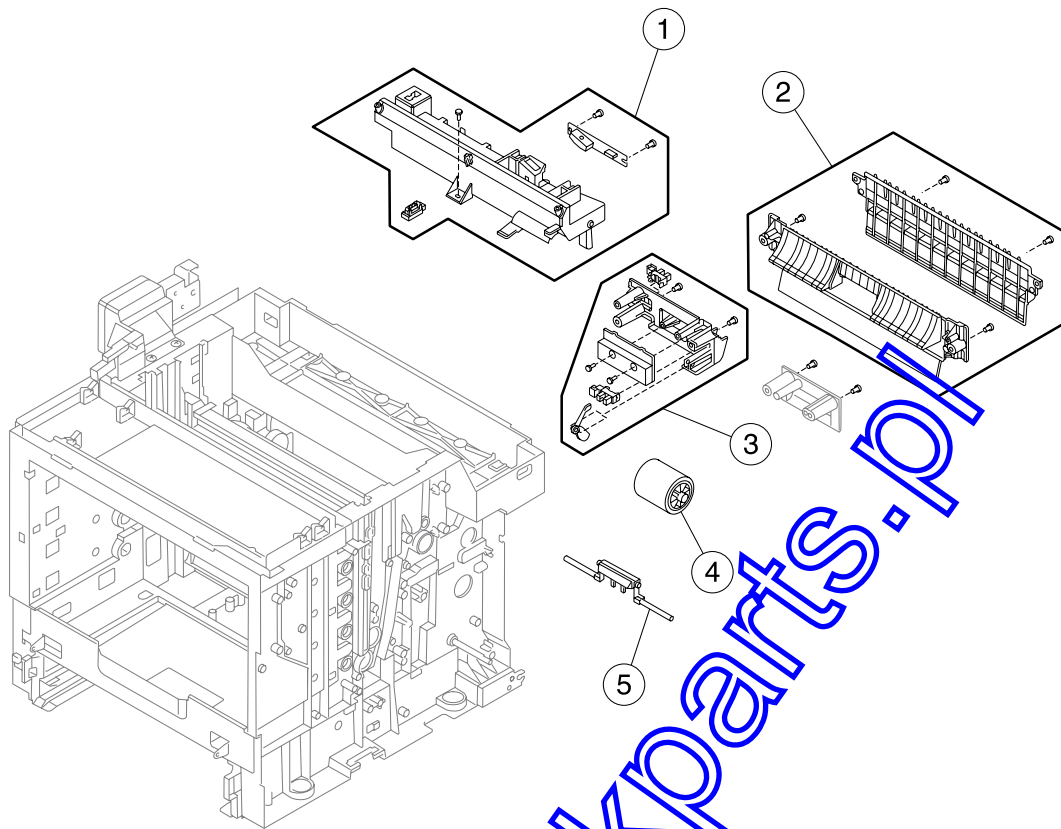
**Assembly 4: Right**

Index	P/N	Units	Description
4-1	56P1625	1	Gear assembly, main drive
2	56P1622	1	Clutch, fuser
3		1	Packet, parts P/N 56P1662
4	56P1621	1	Clutch, registration
5	56P1623	1	Clutch, transfer roller
6	56P1620	1	Clutch, paper feed
7	56P1624	1	Clutch, cleaning roller
8	56P1626	1	Waste toner feeder
9	56P1619	1	Motor assembly, main
10	56P1628	1	Drive assembly, developer
11	56P1629	1	Assembly, waste toner holder
12	56P1681	1	Assembly, interlock switch
13	56P1631	1	Sensor, toner, sender TPD (This is a two piece sensor system. Ordering of this part number includes both the right and left side.)
14	56P1627	1	Motor, developer

www.drunkparts.nl

5021-0XX

## Assembly 5: Rear



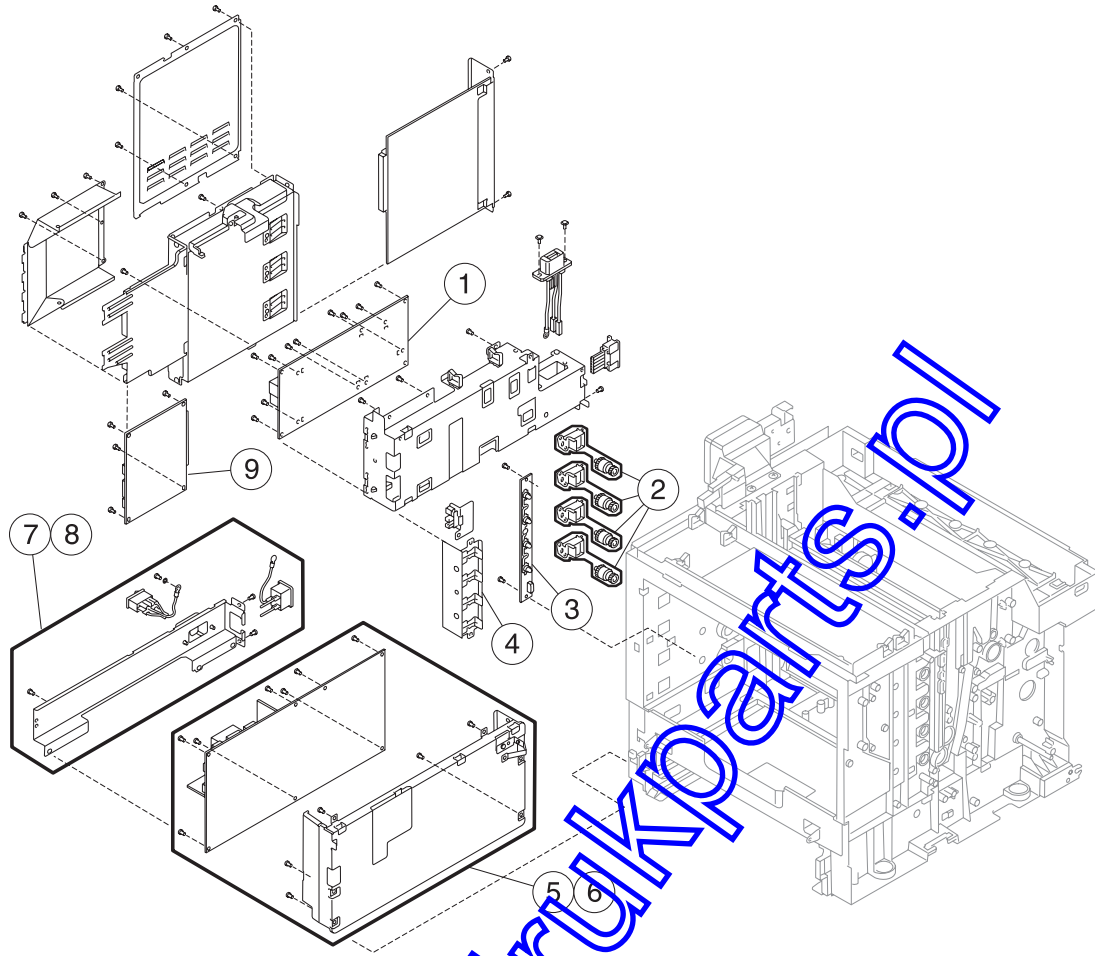
[www.drukparts.pl](http://www.drukparts.pl)

**Assembly 5: Rear**

Index	P/N	Units	Description
5-1	56P1678	1	Assembly, bracket (includes marker sensor (transfer belt unit), toner density sensor)
2	56P1682	1	Paper guide assembly
3	56P1654	1	Paper guide (C) assembly (includes registration sensor, OHP sensor, tray empty sensor)
4	56P1655	1	Roller, paper feed
5	56P1656	1	Pad, separator

[www.drukparts.pl](http://www.drukparts.pl)

## Assembly 6: Left

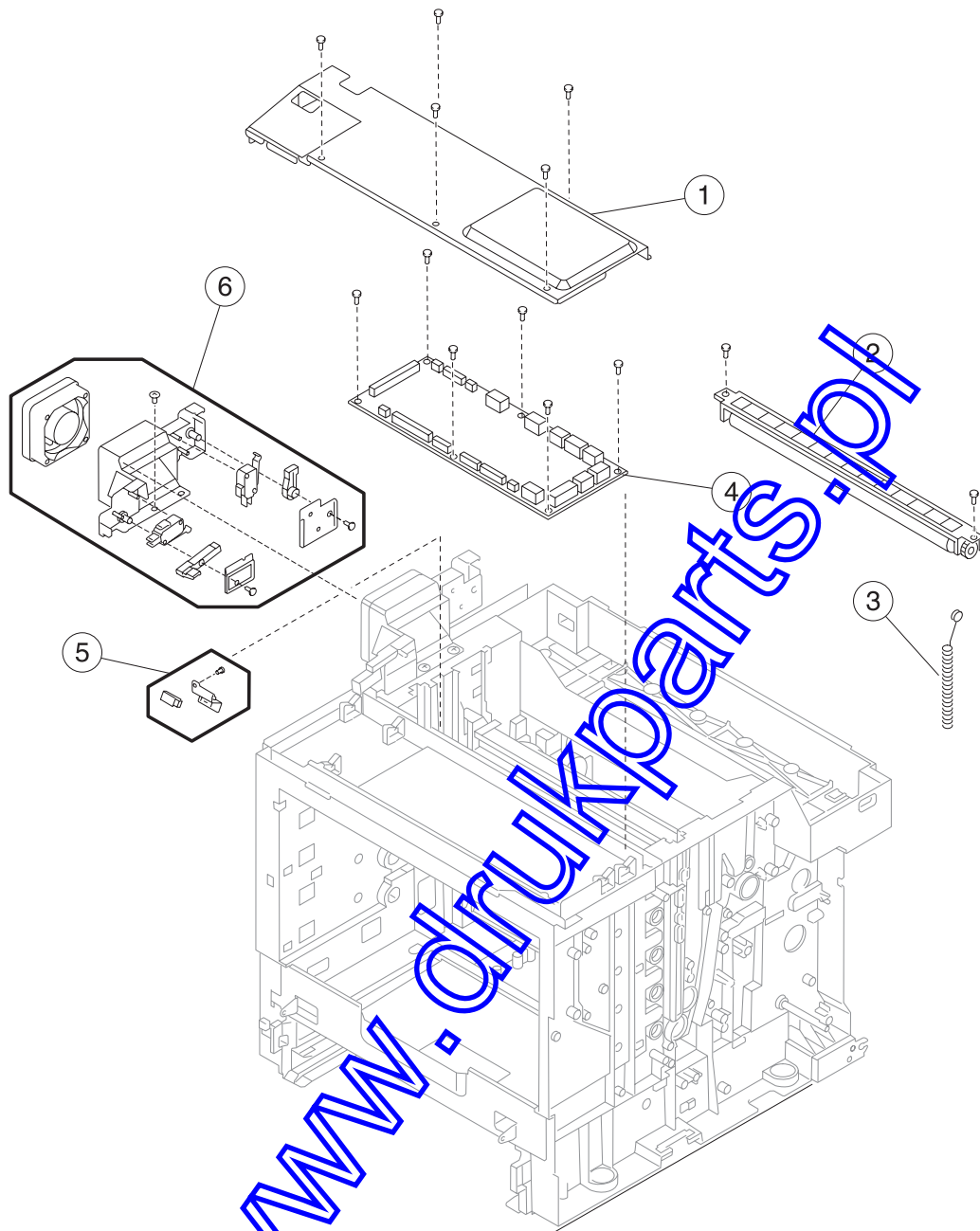


**Assembly 6: Left**

Index	P/N	Units	Description
6-1	56P1640	1	Power supply, high voltage
2	56P1683	1	Assembly, toner retract
3	56P1631	1	Sensor, toner, receiver TTR (This is a two-piece sensor system. Ordering of this part number includes both the right and left side.)
4	56P1648	1	Sensor, toner present
5	56P1641	1	Power supply, 110 V low voltage
6	56P1642	1	Power supply, 220 V low voltage
7	56P1643	1	Bracket, 110 V power supply
8	56P1650	1	Bracket, 220 V power supply
9	56P1639	1	Board, engine controller

[www.drukparts.nl](http://www.drukparts.nl)

## Assembly 7: Top



www.druckparts.pl

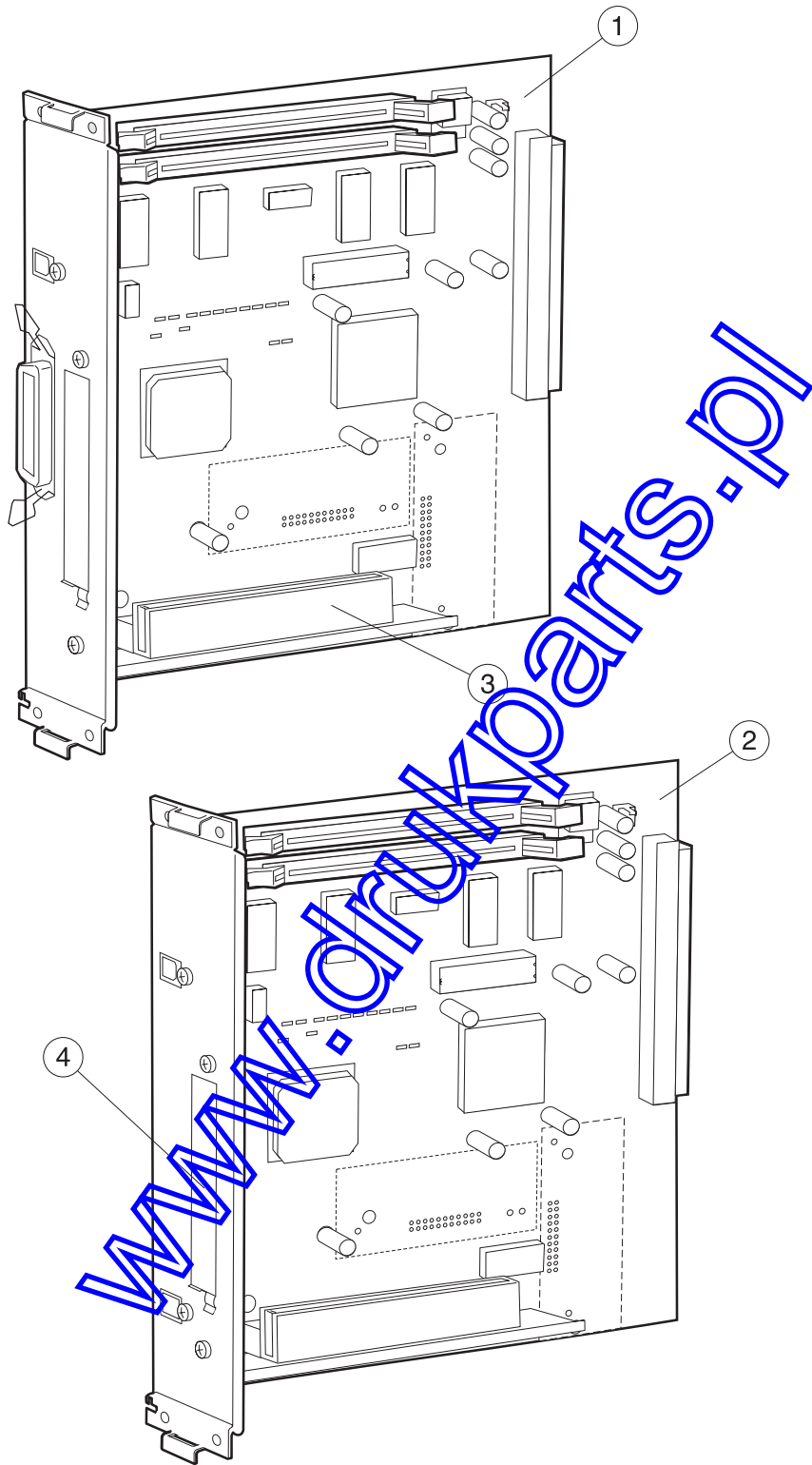
**Assembly 7: Top**

<b>Index</b>	<b>P/N</b>	<b>Units</b>	<b>Description</b>
7-1	56P1618	1	Cover, I/O board
2	56P1637	1	Auger, waste toner
3	56P1638	1	Agitator, waste toner
4	56P1617	1	Board, I/O
5	56P1684	1	Assembly, marker sensor (OPC) (includes bracket)
6	56P1644	1	Fan, power supply (includes top cover and rear cover, assembly interlock switches)

[www.drukparts.nl](http://www.drukparts.nl)



## Assembly 8: RIP board

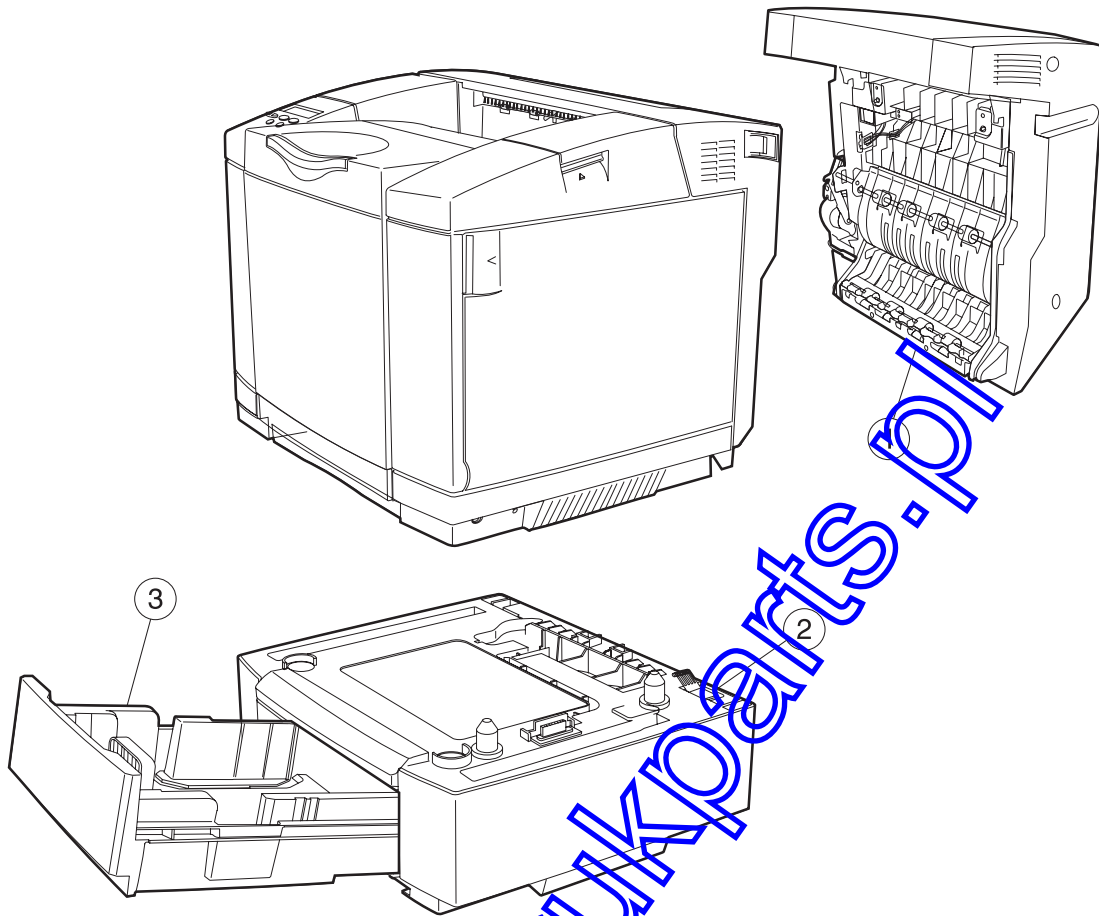


**Assembly 8: RIP board**

Index	P/N	Units	Description
8-1	56P2714	1	Board, Base RIP
2	56P2715	1	Board, Network RIP
3	12G7229	1	Card assembly, riser
4	56P1667	1	Shield, INA
NS	99A1611	1	Shield, Ethernet
NS	99A2432	1	Shield, parallel

[www.drukparts.pl](http://www.drukparts.pl)

## Assembly 9: Miscellaneous/Options



## Assembly 9: Miscellaneous/Options

Index	P/N	Units	Description
9-1	56P1663	1	Assembly, duplex unit
2	56P1664	1	Assembly, secondary paper feed
3	56P1665	1	Tray, secondary paper feed
NS	56P1670	1	Paper tray, legal
NS	56P1419	1	Drive assembly, 20+GB hard disk with adapter
NS	56P1661	1	Parts packet, harness
NS	56P1662	1	Parts packet, screw
NS	7372640	1	Field relocation kit
NS	56P0698	1	DIMM, 64MB SDRAM
NS	56P0699	1	DIMM, 128MB SDRAM
NS	56P1417	1	DIMM, 16MB Flash
NS	56P1418	1	DIMM, 32MB Flash
NS	56P1428	1	DIMM, Optra Forms™ 16MB
NS	56P1427	1	DIMM, Optra Forms 32MB
NS	56P1424	1	Drive assembly, Optra Forms 20+GB
NS	56P1429	1	DIMM, Simplified Chinese font
NS	56P1430	1	DIMM, Traditional Chinese font
NS	56P1438	1	DIMM, Japanese font
NS	56P1673	1	Card, ImageQuick™
NS	56P1674	1	Card, Bar Code
NS	56P1675	1	Card, PrintCryption™
NS	56P1431	1	Card, 10/100BaseTX
NS	56P1432	1	Card, 10/100BaseTX/10Base2
NS	56P1433	1	Card, 10/100BaseTX
NS	56P1434	1	Card, Token Ring 3 port
NS	56P1435	1	Adapter, external serial
NS	12G9832	1	Cable, parallel, 10-foot bidirectional
NS	1427498	1	Cable, parallel, 20-foot bidirectional
NS	14D0403	1	Cable, USB, 2-meter
NS	11A6199	1	Cable, 50-foot serial
NS	13A0298	1	Adapter, coax/twinax
NS	56P1437	1	Card, parallel 1284B

### Assembly 9: Miscellaneous/Options

Index	P/N	Units	Description
NS	56P1436	1	Card, RS-232C serial
NS	56P1741	1	Card, N2100t Token Ring
NS	56P1742	1	Card, N2101e 10/100TX

[www.drukparts.pl](http://www.drukparts.pl)