
7. Parts catalog

How to use this parts catalog

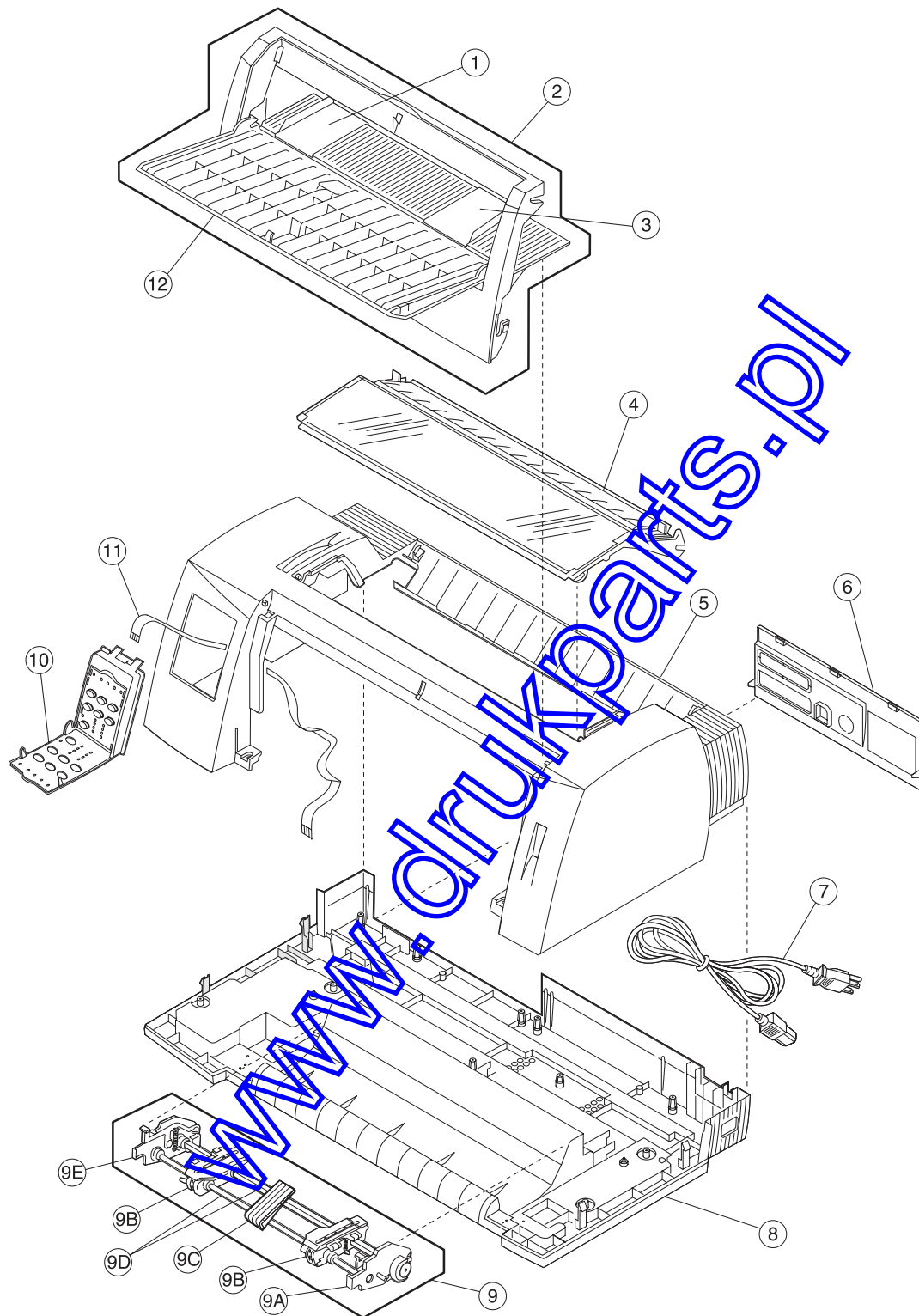
Similar Assemblies: If two assemblies contain a majority of identical parts, they are shown on the same list. Common parts are shown by one index number. Parts peculiar to one or the other of the assemblies are listed separately and identified by description.

NS: (Not shown) in the Asm-Index column indicates that the part is procurable but is not pictured in the illustration.

Note: Graphic artwork depicting FRU assemblies is designed using the 2580-XXX (9-wire) model as reference. Some of the artwork may not be completely representative of all models. For example, the 24-wire models are not depicted with two printhead cables, and there is no artwork depicting the extended carriage models 2581 or 2591.

www.druckparts.nl

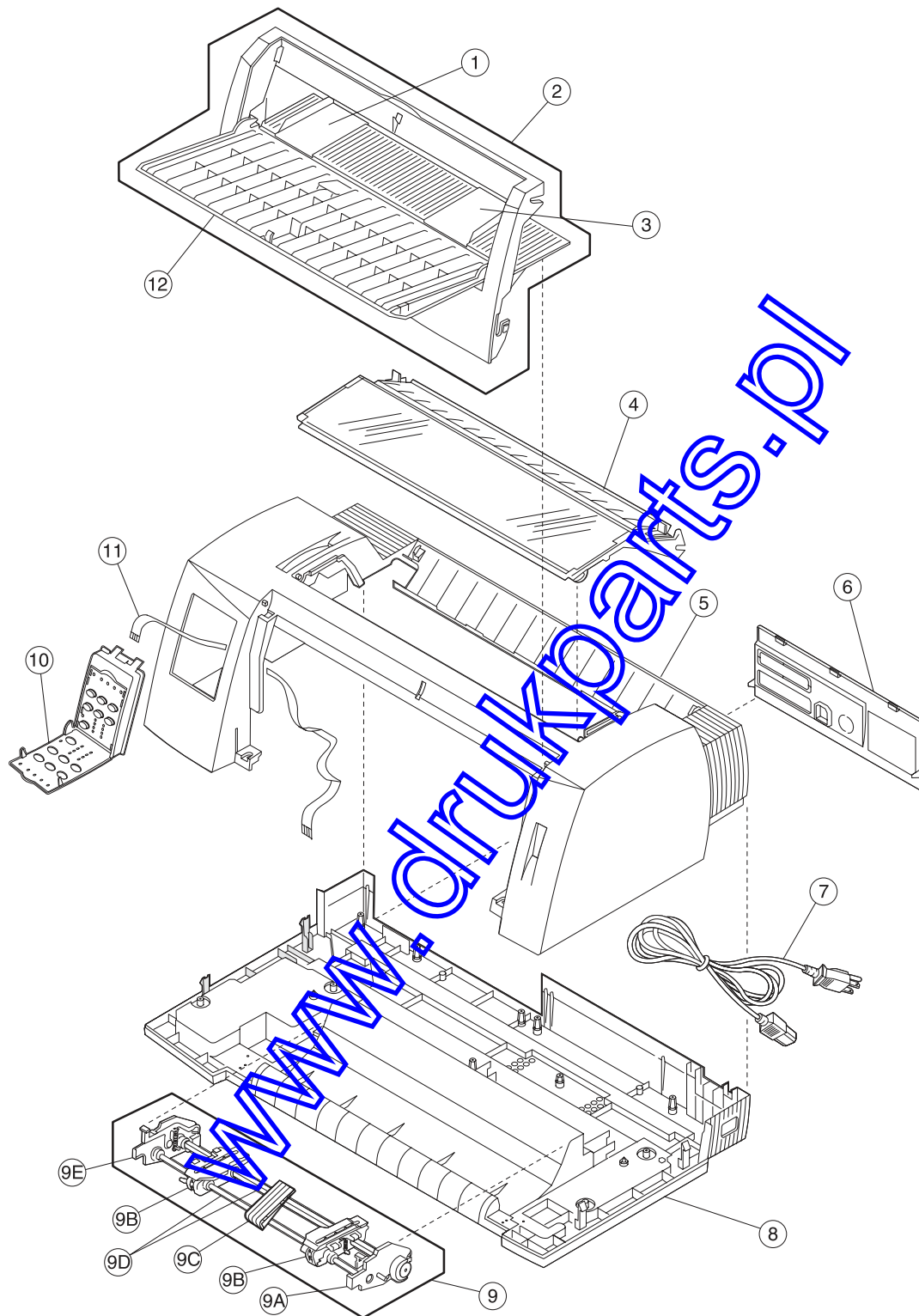
Assembly 1: Covers



Assembly 1: Covers

Asm-Index	Part number	Description
1-1	40X2912	Guide, left paper
2	40X2992	Cover assembly, front unit (2580, 2590)
2	40X2993	Cover assembly, front unit (2581, 2591)
3	40X2913	Guide, right paper
4	40X3013	Ribbon access cover unit (2580)
4	40X3014	Ribbon access cover unit (2581)
4	40X3025	Ribbon access cover unit (2590)
4	40X3026	Ribbon access cover unit (2591)
5	40X4974	Cover, top (2580, 2590)
5	40X4975	Cover, top (2581, 2591)
6	40X2911	Cover, rear (2581, 2591)
7	40X0297	Power cord: U.S., AFE (LV), Canada, Central and South America, Mexico, Saudi Arabia (LV)
7	40X0271	Power cord: Malaysia, Singapore, United Kingdom
7	40X1767	Power cord: Austria, Belgium, Brazil, Germany, Greece, Finland, France, Indonesia, Luxembourg, Portugal, Norway, Saudi Arabia (HV), Spain, Sweden, Netherlands, Turkey
7	40X0294	Power cord: Denmark
7	40X0287	Power cord: Chile, Italy
7	40X0275	Power cord: Israel
7	40X0276	Power cord: South Africa
7	40X0274	Power cord: Switzerland
7	40X0296	Power cord: Australia, New Zealand
7	40X1766	Power cord: Peru

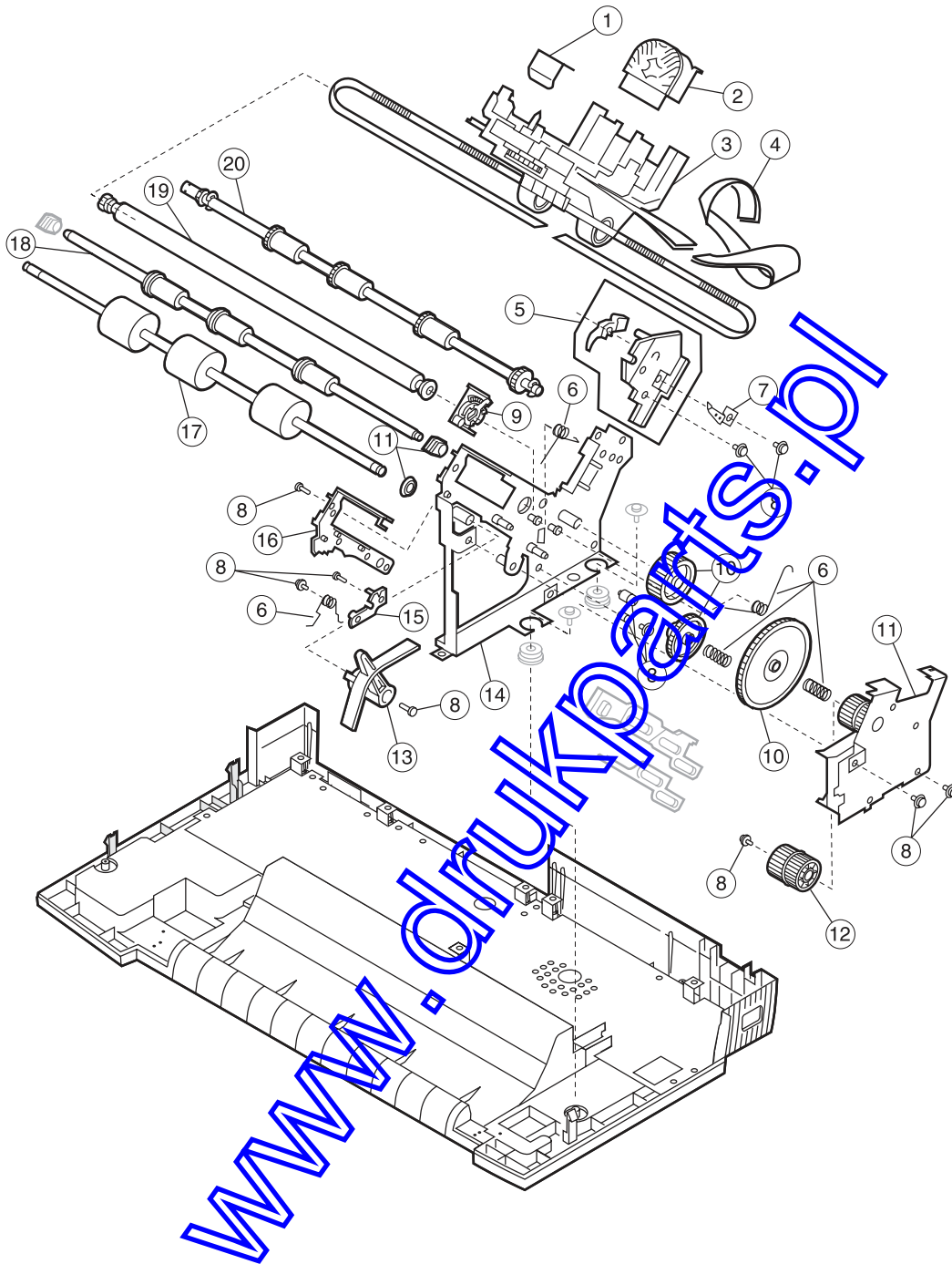
Assembly 1 (cont.): Covers



Assembly 1 (cont.): Covers

Asm-Index	Part number	Description
1-8	40X4972	Cover, bottom (2580, 2590)
8	40X4973	Cover, bottom (2581, 2591)
9	40X3002	Tractor unit (2580, 2590)
9	40X3003	Tractor unit (2581, 2591)
9A	40X2917	Frame, right side tractor
9B	40X2918	Tractors, left and right
9C	40X2905	Support, tractor paper
9D	40X3000	Shaft set, tractor (2580, 2590)
9D	40X3001	Shaft set, tractor (2581, 2591)
9E	40X2916	Frame, left side tractor
10	40X2962	Operator panel assembly (258X)
10	40X2963	Operator panel assembly (259X)
11	40X2914	Cable, operator panel
12	40X2994	Cover, front guide (2580, 2590)
12	40X2995	Cover, front guide (2581, 2591)
NS	40X2897	Cover, operator panel front with overlay packs
NS	40X2996	Overlay pack, operator panel (258X)
NS	40X2997	Overlay pack, operator panel (259X)
NS	40X2937	Stand, paper

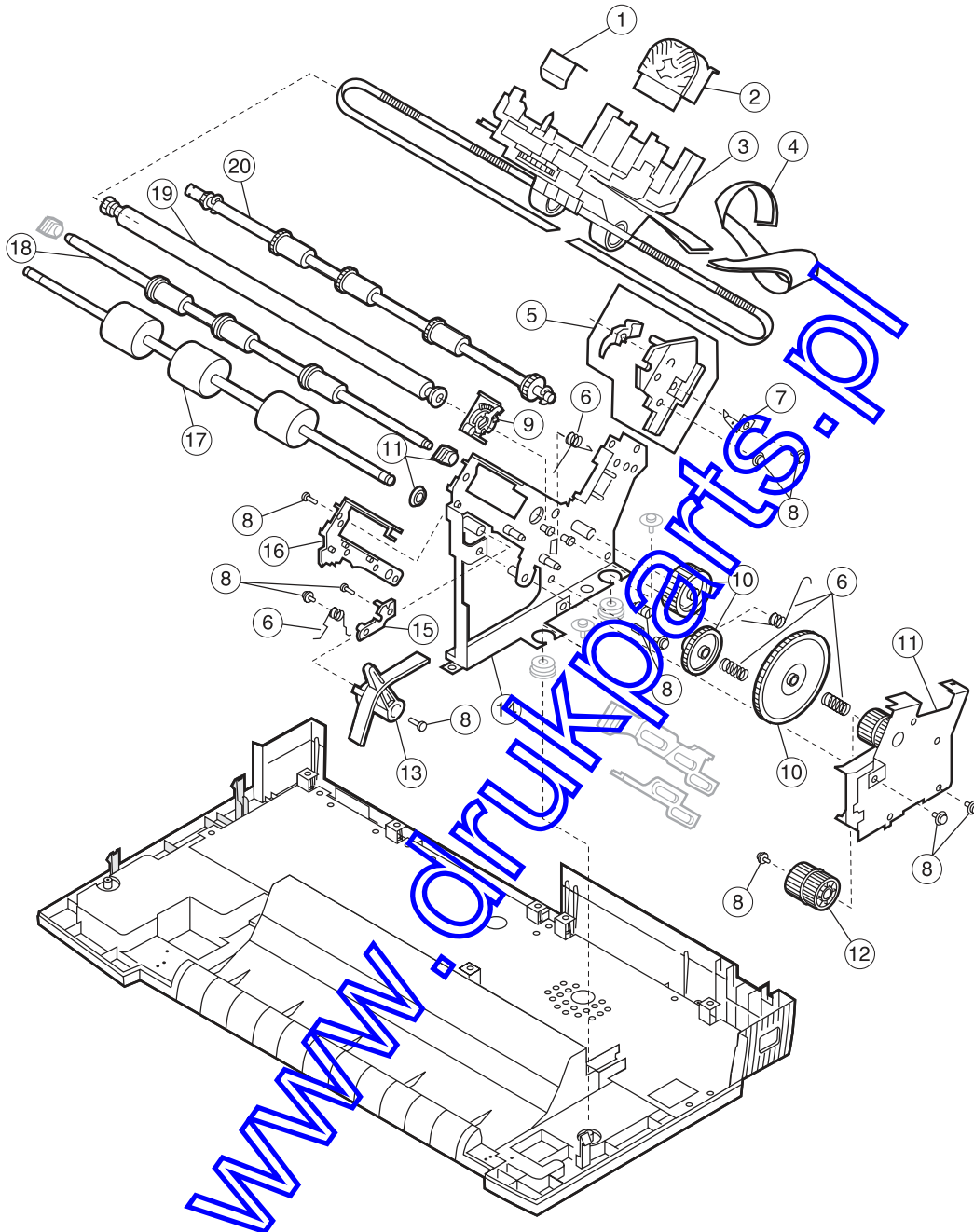
Assembly 2: Carrier/paper feed (right side)



Assembly 2: Carrier/paper feed (right side)

Asm-Index	Part number	Description
2-1	40X2887	Carrier roller set
2	40X2998	Printhead assembly (2580, 2581)
2	40X2999	Printhead assembly (2590, 2591)
3	40X2948	Carrier unit (2580)
3	40X2949	Carrier unit (2581)
3	40X2950	Carrier unit (2590)
3	40X2951	Carrier unit (2591)
4	40X2952	Cable, printhead (2580)
4	40X2953	Cable, printhead (2581)
4	40X2954	Cable, printhead (2590)
4	40X2955	Cable, printhead (2591)
5	40X2931	Kit, pull tractor actuator
6	40X2906	Springs, parts packet
7	40X2983	Kit, ESD ground (2590, 2591)
7	40X2982	Kit, ESD ground (2580, 2581)
8	40X2926	Screws, washers and clips, parts packet
9	40X2922	Kit, Head Gap adjustment
10	40X2910	Gears and bushings, parts packet (258X)
11	40X2980	Sub frame, right side
12	40X2956	Gear, idler (2580, 2581)
12	40X2957	Gear, idler (2590, 2591)
13	40X2907	Paper Select lever
14	40X2968	Frame, right side
15	40X3010	Holder, lower pinch roller shaft, right
16	40X2896	Guide, ASF/DTR, right
17	40X2971	Roller, lower feed (2581, 2591)
17	40X2981	Roller, lower feed (2580, 2590)
18	40X3019	Roller, lower pinch (2580, 2590)
18	40X3020	Roller, lower pinch (2581, 2591)
NS	40X3028	Narrow auto feeder assembly (2580, 2590)
NS	40X3029	Narrow dual tractor assembly (2580, 2590)
NS	40X3034	Wide auto feeder assembly (2581, 2591)
NS	40X3035	Wide dual tractor assembly (2581, 2591)

Assembly 2 (cont.): Carrier/paper feed (right side)

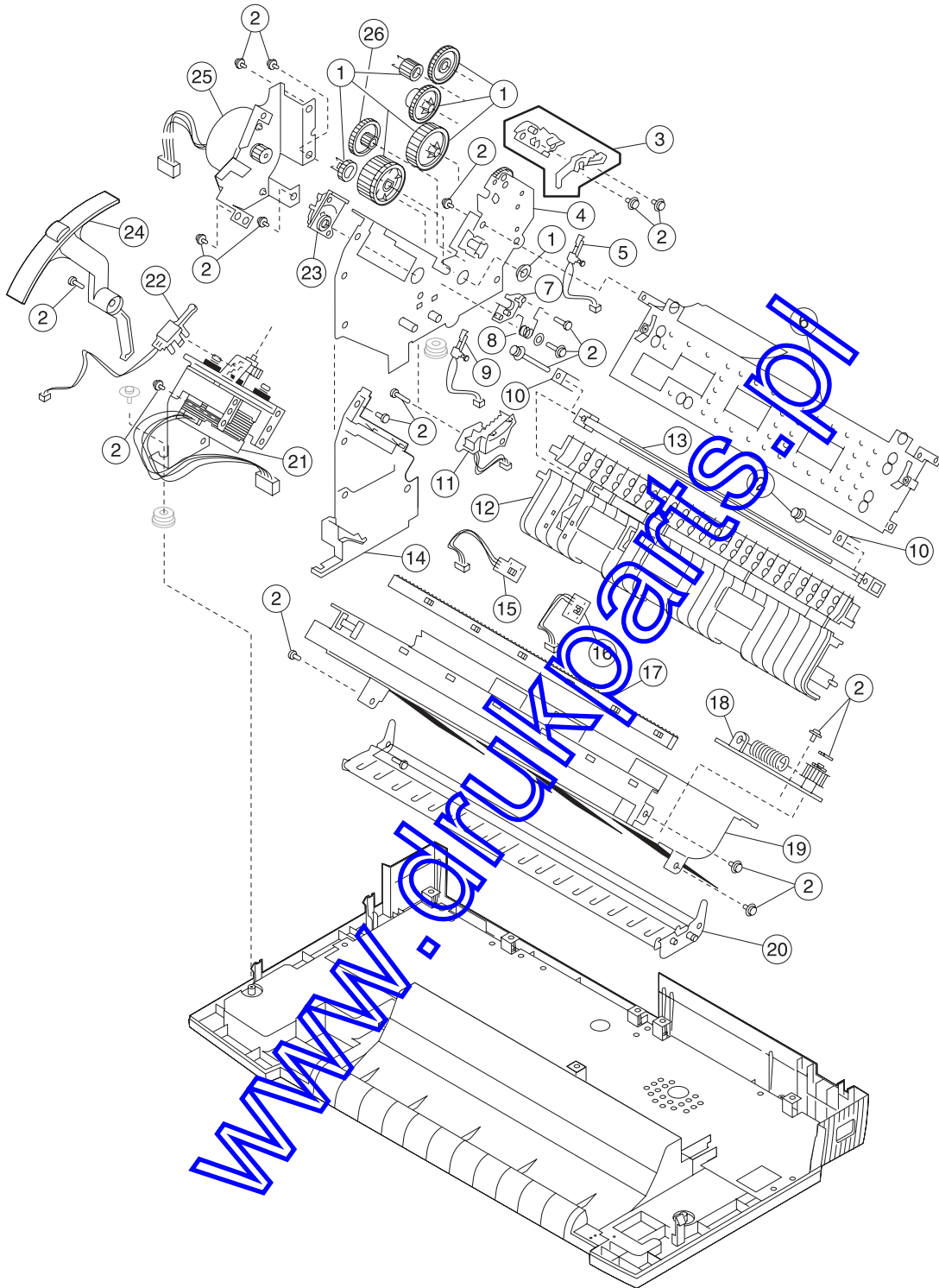


Assembly 2 (cont.): Carrier/paper feed (right side)

Asm-Index	Part number	Description
2-19	40X2988	Shaft, carrier (2580, 2590)
19	40X2989	Shaft, carrier (2581, 2591)
20	40X2978	Roller, upper feed (2580, 2590)
20	40X2979	Roller, upper feed (2581, 2591)

www.drukparts.pl

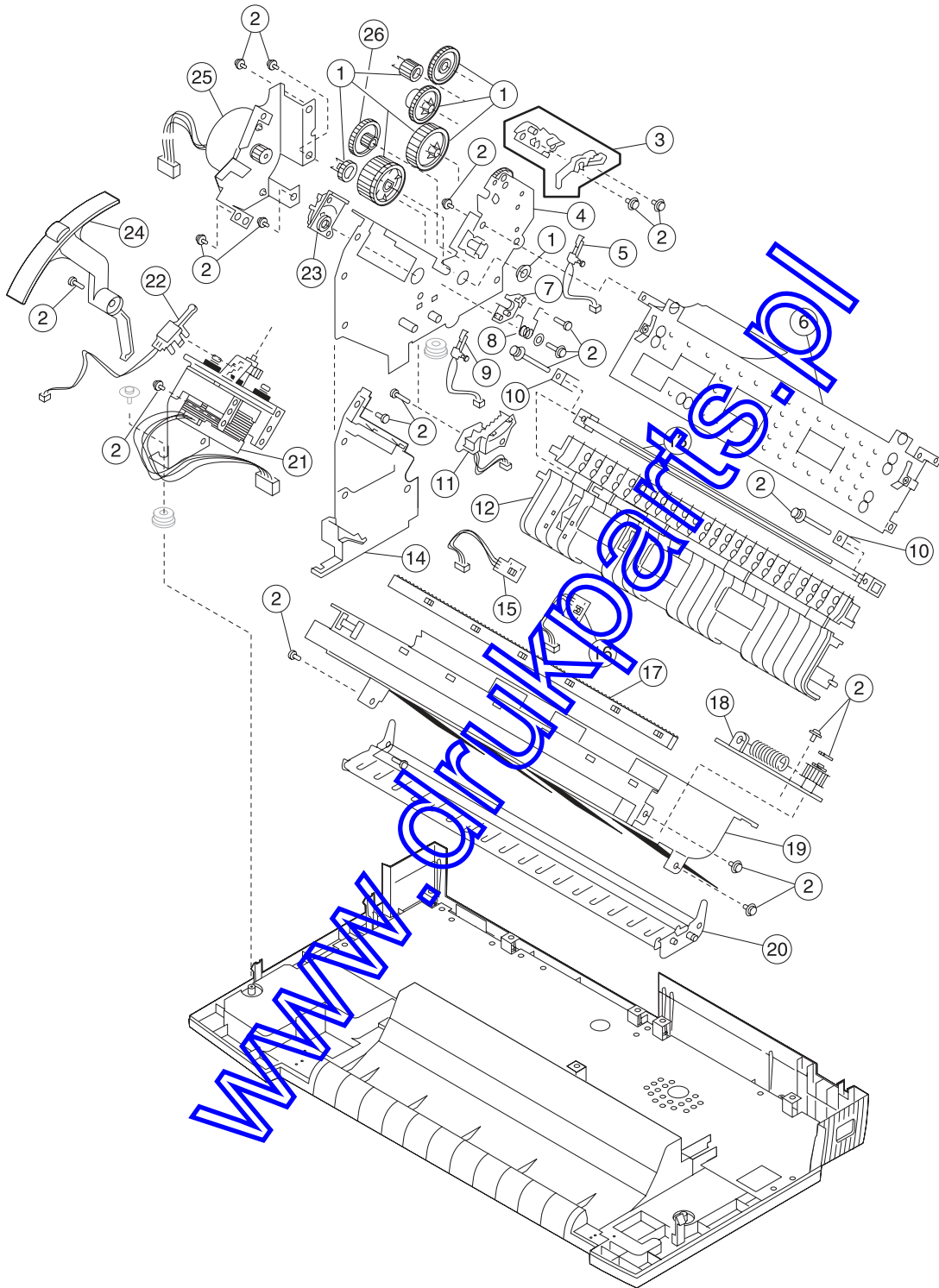
Assembly 3: Carrier/paper feed (left side)



Assembly 3: Carrier/paper feed (left side)

Asm-Index	Part number	Description
3-1	40X2910	Gears and bushings, parts packet (258X)
2	40X2926	Screws, washers and clips, parts packet
3	40X2931	Kit, pull tractor actuator
4	40X2966	Frame, left side (2580, 2581)
4	40X2967	Frame, left side (2590, 2591)
5	40X2938	Sensor, Pull Tractor
6	40X3007	Plate, frame support (2580, 2590)
6	40X3008	Plate, frame support (2581, 2591)
7	40X2921	Holder, lower pinch roller shaft, left
8	40X2906	Springs, parts packet
9	40X2939	Sensor, Paper Select
10	40X2908	Holder, platen
11	40X2893	Sensor, Head Gap
12	40X2969	Guide, paper assembly (2580, 2590)
12	40X2970	Guide, paper assembly (2581, 2591)
13	40X2973	Platen (2580, 2590)
13	40X2974	Platen (2581, 2591)
14	40X2895	Guide, ASE/DTR, left
15	40X2919	Sensor, Top-of-form
16	40X2972	Sensor, Paper Present
17	40X2986	Gear, ribbon drive rack (2580, 2590)
17	40X2987	Gear, ribbon drive rack (2581, 2591)
18	40X2977	Plate, tension pulley assembly
19	40X3021	Plate, carrier assembly (2580, 2590)
19	40X3022	Plate, carrier assembly (2581, 2591)
20	40X2975	Separator, paper (2580, 2590)
20	40X2976	Separator, paper (2581, 2591)
21	40X2901	Motor, carrier (with BKT)
22	40X2920	Sensor, Home Position

Assembly 3 (cont.): Carrier/paper feed (left side)

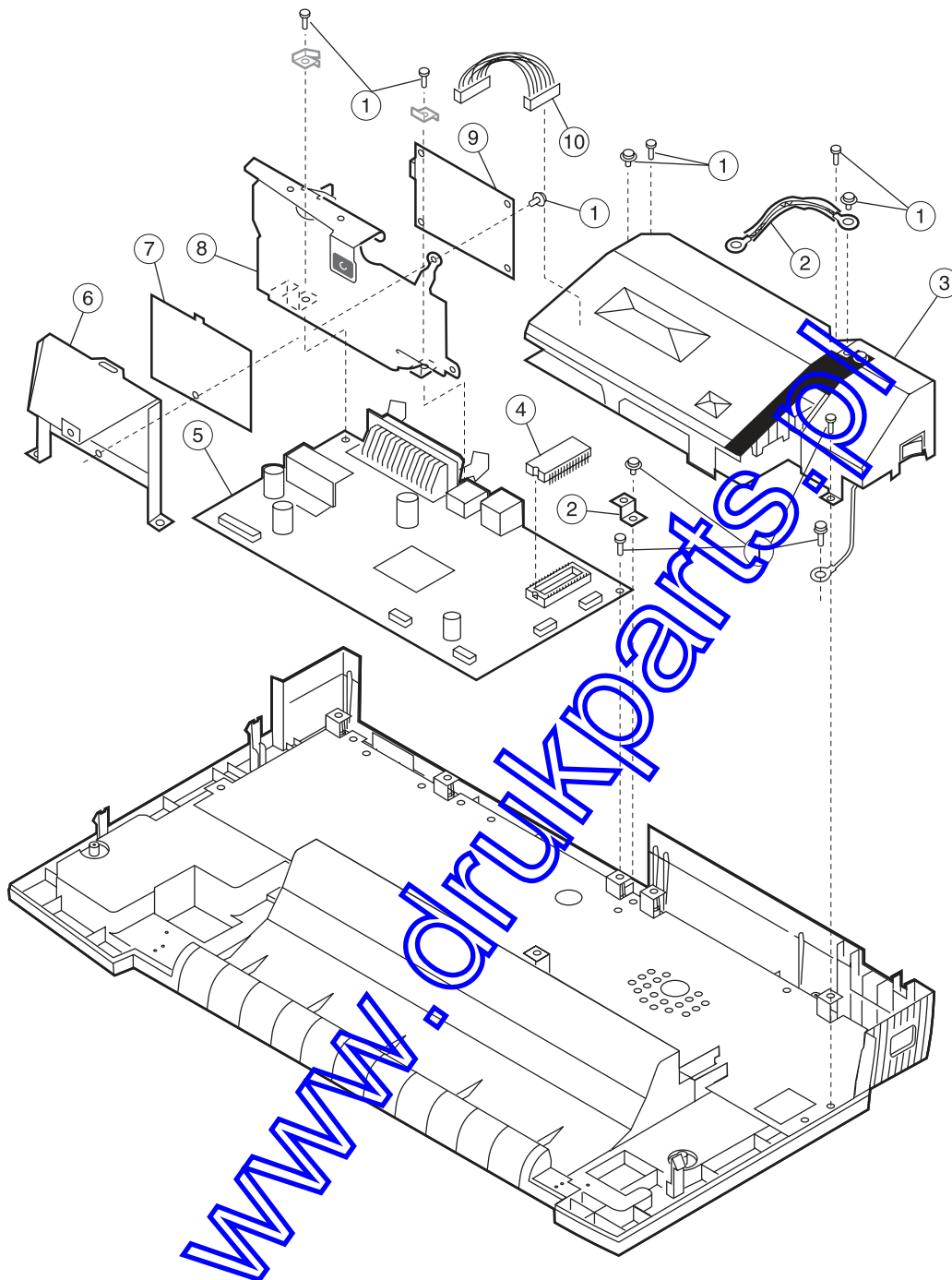


Assembly 3 (cont.): Carrier/paper feed (left side)

Asm-Index	Part number	Description
3-23	40X2922	Kit, Head Gap adjustment
24	40X2894	Lever, Forms Thickness
25	40X2902	Motor, paper feed (with BKT)
26	40X2956	Gear, idler (258X)
26	40X2957	Gear, idler (259X)

www.drukparts.pl

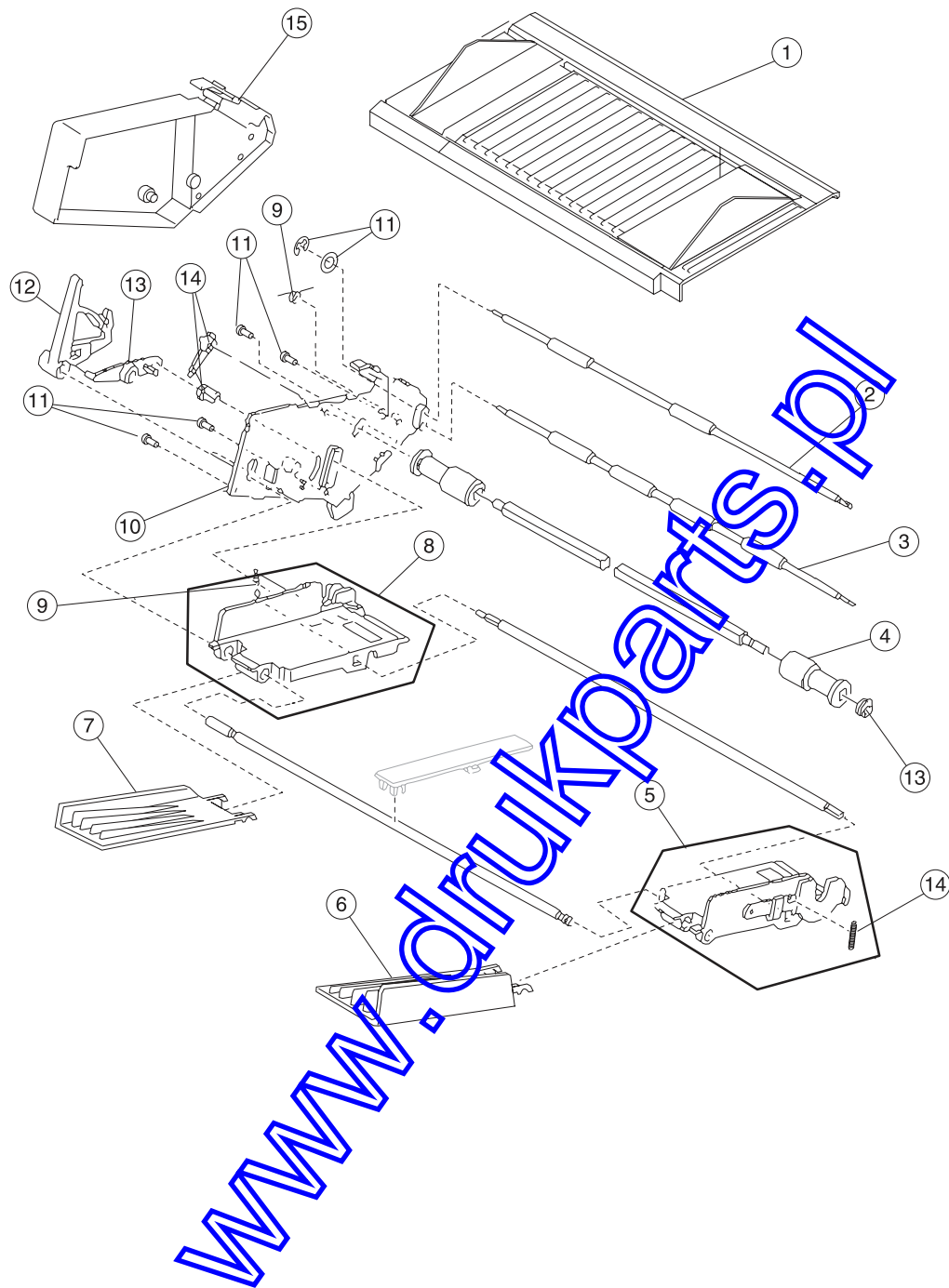
Assembly 4: Electronics



Assembly 4: Electronics

Asm-Index	Part number	Description
4-1	40X2926	Screws, washers and clips, parts packet
2	40X2983	Kit, ESD ground (2590, 2591)
2	40X2982	Kit, ESD ground (2580, 2581)
3	40X2886	Power supply unit, LV
3	40X2885	Power supply unit, HV
4	40X3030	Module, EPROM (258X)
4	40X2964	Module, EPROM (259X)
5	40X4960	Board, logic without EPROM (2580 LV)
5	40X4961	Board, logic without EPROM (2580 HV)
5	40X4962	Board, logic without EPROM (2581 LV)
5	40X4963	Board, logic without EPROM (2581 HV)
5	40X4964	Board, logic without EPROM (2590 LV)
5	40X4965	Board, logic without EPROM (2590 HV)
5	40X4966	Board, logic without EPROM (2591 LV)
5	40X4967	Board, logic without EPROM (2591 HV)
6	40X2903	Bracket, serial interface card
7	40X2915	Plate, serial interface card
8	40X4968	INA support frame
9	40X4791	LAN card (INA)
10	40X3015	Cable, power supply (2580, 2590)
10	40X3016	Cable, power supply (2581, 2591)
NS	40X4969	INA support plate
NS	40X4970	Earth LAN card
NS	40X5006	INA cable
NS	40X2909	Kit, fuse (LV)
NS	40X2930	Card, serial interface card with plate
NS	40X2934	Serial interface cable

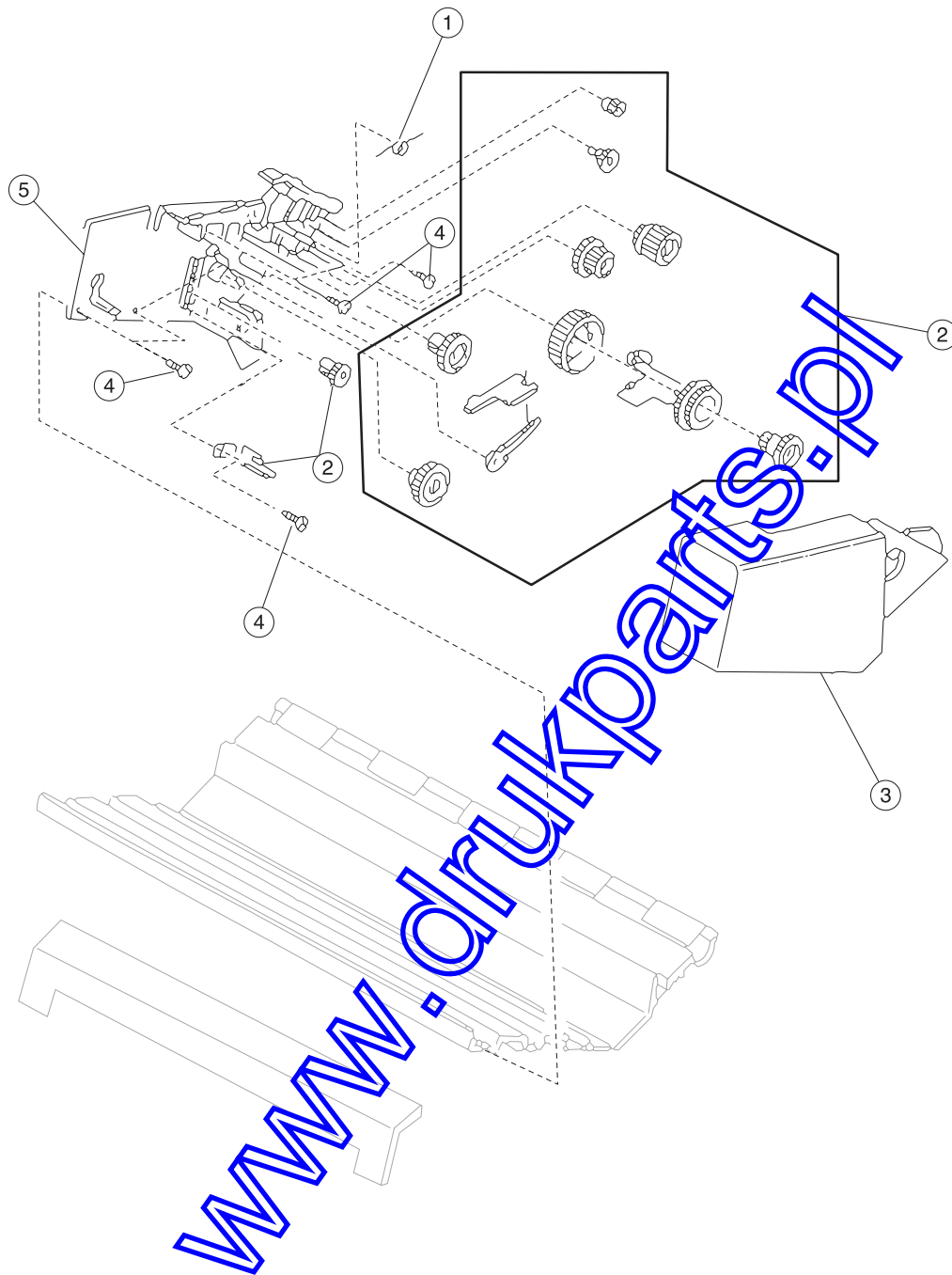
Assembly 5: ASF- Roller/support



Assembly 5: ASF– Roller/support

Asm-Index	Part number	Description
5-1	40X2965	Support, ASF cut sheet with guides (2580, 2590)
1	40X3017	Support, ASF cut sheet with guides (2581, 2591)
2	40X2888	Roller, ASF upper feed (2580, 2590)
2	40X3023	Roller, ASF upper feed (2581, 2591)
3	40X2889	Roller, ASF lower feed (2580, 2590)
3	40X3024	Roller, ASF lower feed (2581, 2591)
4	40X2984	Roller, ASF pick-up left and right (2580, 2590)
4	40X2985	Roller, ASF pick-up left and right (2581, 2591)
5	40X3004	Hopper, ASF right (2581, 2591)
6	40X2927	Support, ASF paper right
7	40X2928	Support, ASF paper left
8	40X2929	Hopper, ASF left
9	40X2891	ASF springs, parts packet
10	40X2924	Frame, ASF side left
11	40X2892	ASF screws, parts packet
12	40X2932	Lever, ASF paper load
13	40X2933	Link, ASF paper load
14	40X3136	ASF gears and bushings, parts packet
15	40X2935	Cover, ASF left

Assembly 6: ASF– Side frame/covers

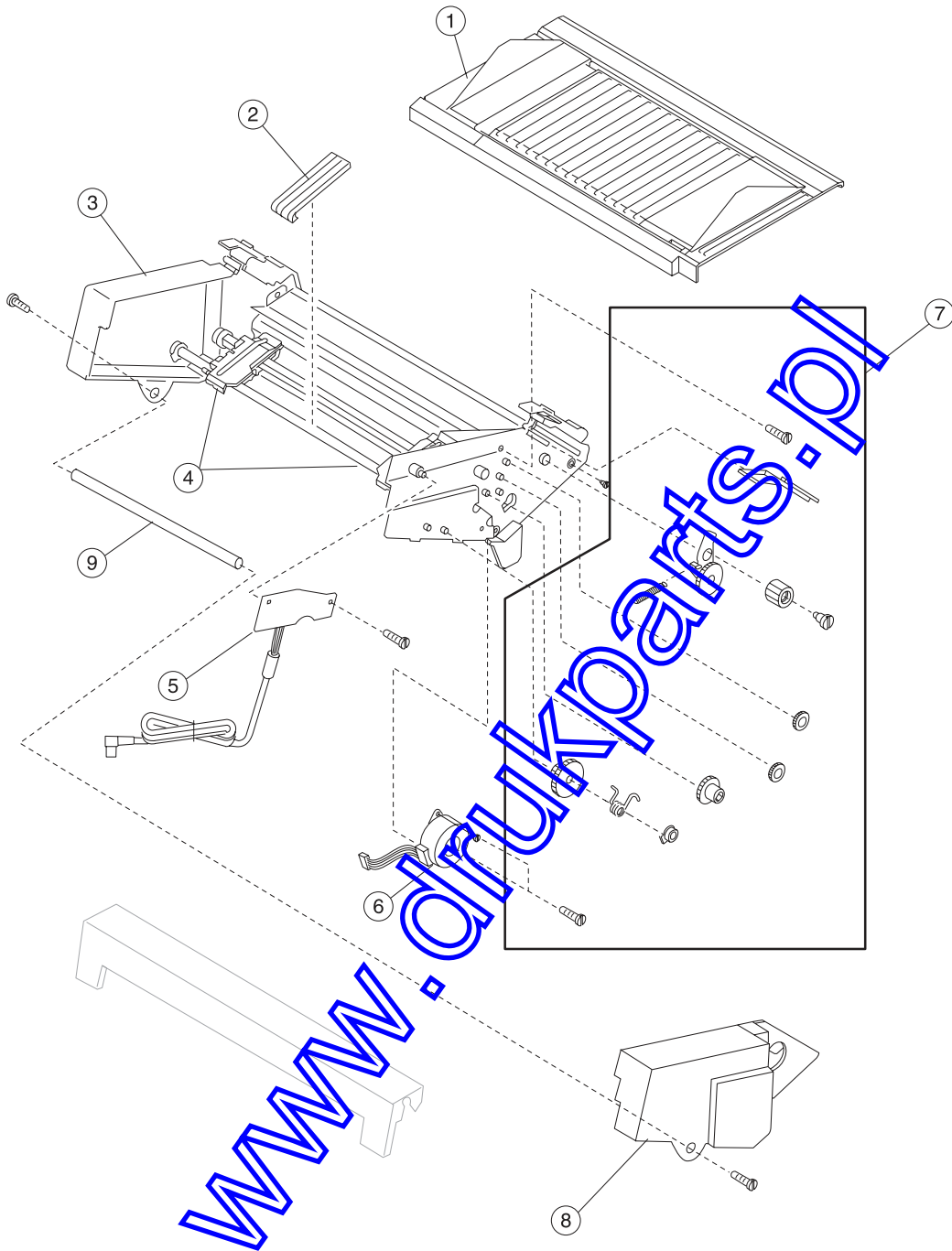


Assembly 6: ASF– Side frame/covers

Asm-Index	Part number	Description
6-1	40X2891	ASF Springs, parts packet
2	40X2890	ASF gears and bushings, parts packet
3	40X2936	Cover, ASF right
4	40X2892	ASF screws, parts packet
5	40X3011	Frame, ASF side right
NS	40X2937	Stand, paper

www.drukparts.pl

Assembly 7: Tractor 2 option



Assembly 7: Tractor 2 option

Asm-Index	Part number	Description
7-1	40X3018	Table, Tractor 2 paper with guides (2580, 2590)
2	40X2881	Guide, Tractor 2 paper
3	40X3009	Tractor and frame assembly, Tractor 2 (2580, 2590)
4	40X2918	Kit, tractors left and right
5	40X2960	Board assembly with cable and ferrite, Tractor 2 (2580, 2590)
5	40X2961	Board assembly with cable and ferrite, Tractor 2 (2581, 2591)
6	40X2880	Motor, Tractor 2
7	40X2882	Parts packet, Tractor 2
8	40X2923	Cover, Tractor 2, right
9	40X2958	Shaft, Tractor 2 support (2580, 2590)
9	40X2959	Shaft, Tractor 2 support (2581, 2591)

www.drukparts.nl