

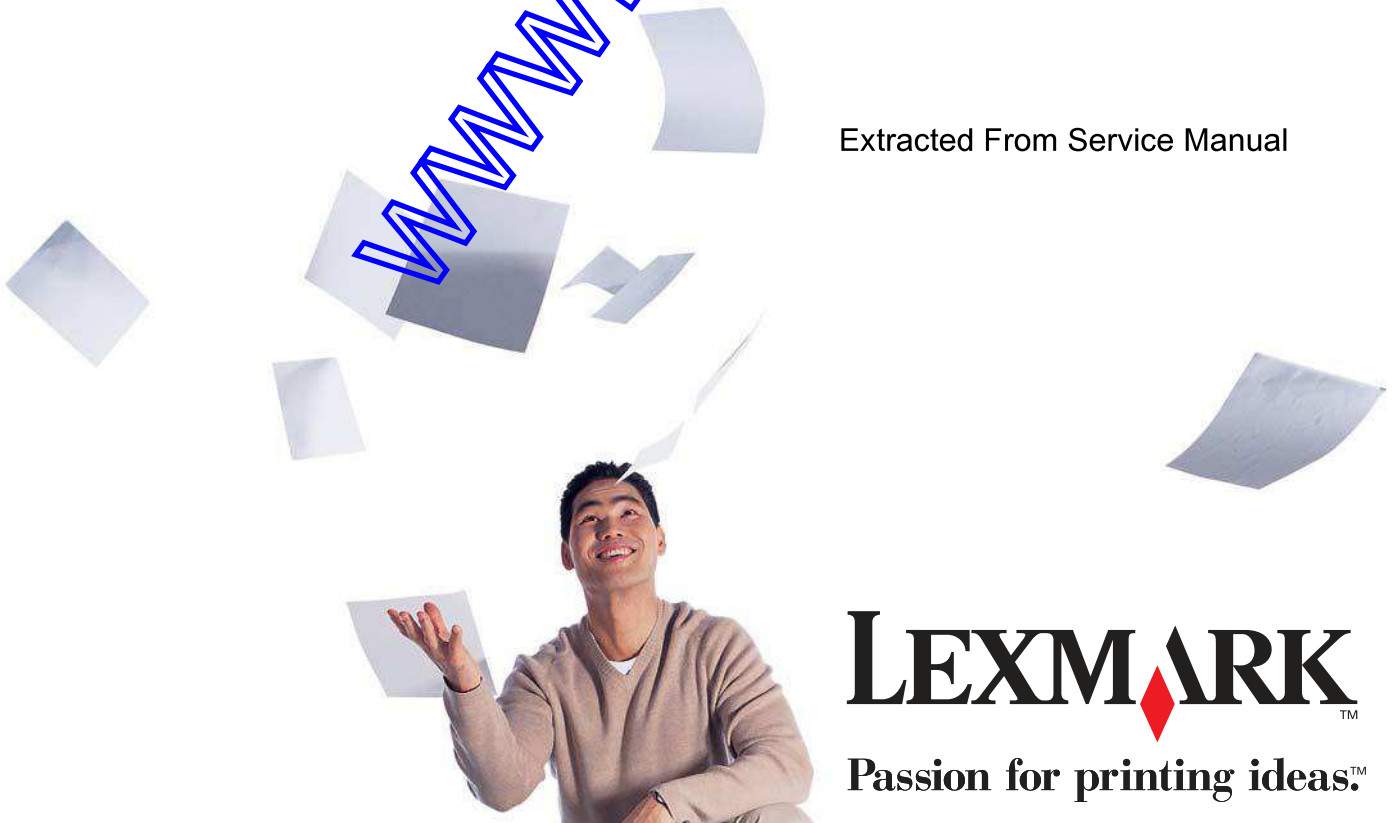
Parts Breakdown

Lexmark 2400 Forms Printer

24XX-100

www.drukparts.pl

Extracted From Service Manual



LEXMARK[™]

Passion for printing ideas.[™]

24xx

Edition: November 2000

The following paragraph does not apply to any country where such provisions are inconsistent with local law: LEXMARK INTERNATIONAL, INC. PROVIDES THIS PUBLICATION "AS IS" WITHOUT WARRANTY OF ANY KIND, EITHER EXPRESS OR IMPLIED, INCLUDING, BUT NOT LIMITED TO, THE IMPLIED WARRANTIES OF MERCHANTABILITY OR FITNESS FOR A PARTICULAR PURPOSE. Some states do not allow disclaimer of express or implied warranties in certain transactions; therefore, this statement may not apply to you.

This publication could include technical inaccuracies or typographical errors. Changes are periodically made to the information herein; these changes will be incorporated in later editions. Improvements or changes in the products or the programs described may be made at any time.

Comments may be addressed to Lexmark International, Inc., Department E-22A/032-2, 740 West New Circle Road, Lexington, Kentucky 40550, U.S.A or e-mail at ServiceInfoAndTraining@Lexmark.com. Lexmark may use or distribute any of the information you supply in any way it believes appropriate without incurring any obligation to you. You can purchase additional copies of publications related to this product by calling 1-800-553-9727. In other countries, contact your point of purchase.

Lexmark and Lexmark with diamond design are trademarks of Lexmark International, Inc., registered in the United States and/or other countries.

Other trademarks are the property of their respective owners.

© Copyright Lexmark International, Inc. 2000.

All rights reserved.

UNITED STATES GOVERNMENT RESTRICTED RIGHTS

This software and documentation are provided with RESTRICTED RIGHTS. Use, duplication or disclosure by the Government is subject to restrictions as set forth in subparagraph (c)(1)(ii) of the Rights in Technical Data and Computer Software clause at DFARS 252.227-7013 and in applicable FAR provisions: Lexmark International, Inc., Lexington, KY 40550.

U.S.A. P/N: 12G3662

7. Parts Catalog

How To Use This Parts Catalog

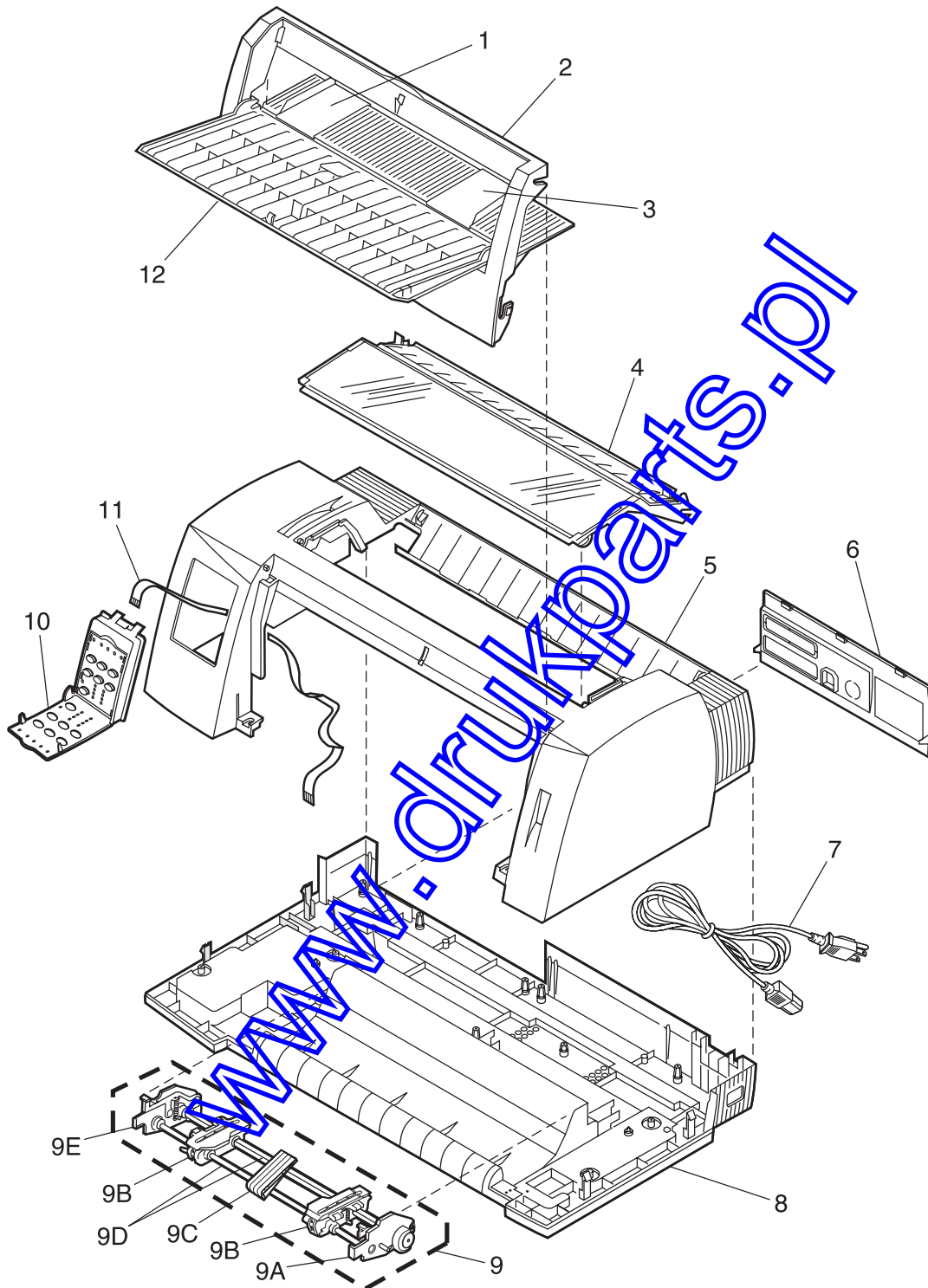
SIMILAR ASSEMBLIES: If two assemblies contain a majority of identical parts, they are shown on the same list. Common parts are shown by one index number. Parts peculiar to one or the other of the assemblies are listed separately and identified by description.

NS: (Not Shown) in the Asm-Index column indicates that the part is procurable but is not pictured in the illustration.

Note: Graphic artwork depicting FRU assemblies is designed using the 2480-100 (9-wire) model, as reference. Some of the artwork may not be completely representative of all models. For example, the 24-wire models are not depicted with two printhead cables and there is no artwork depicting the extended carriage models 2481 or 2491.

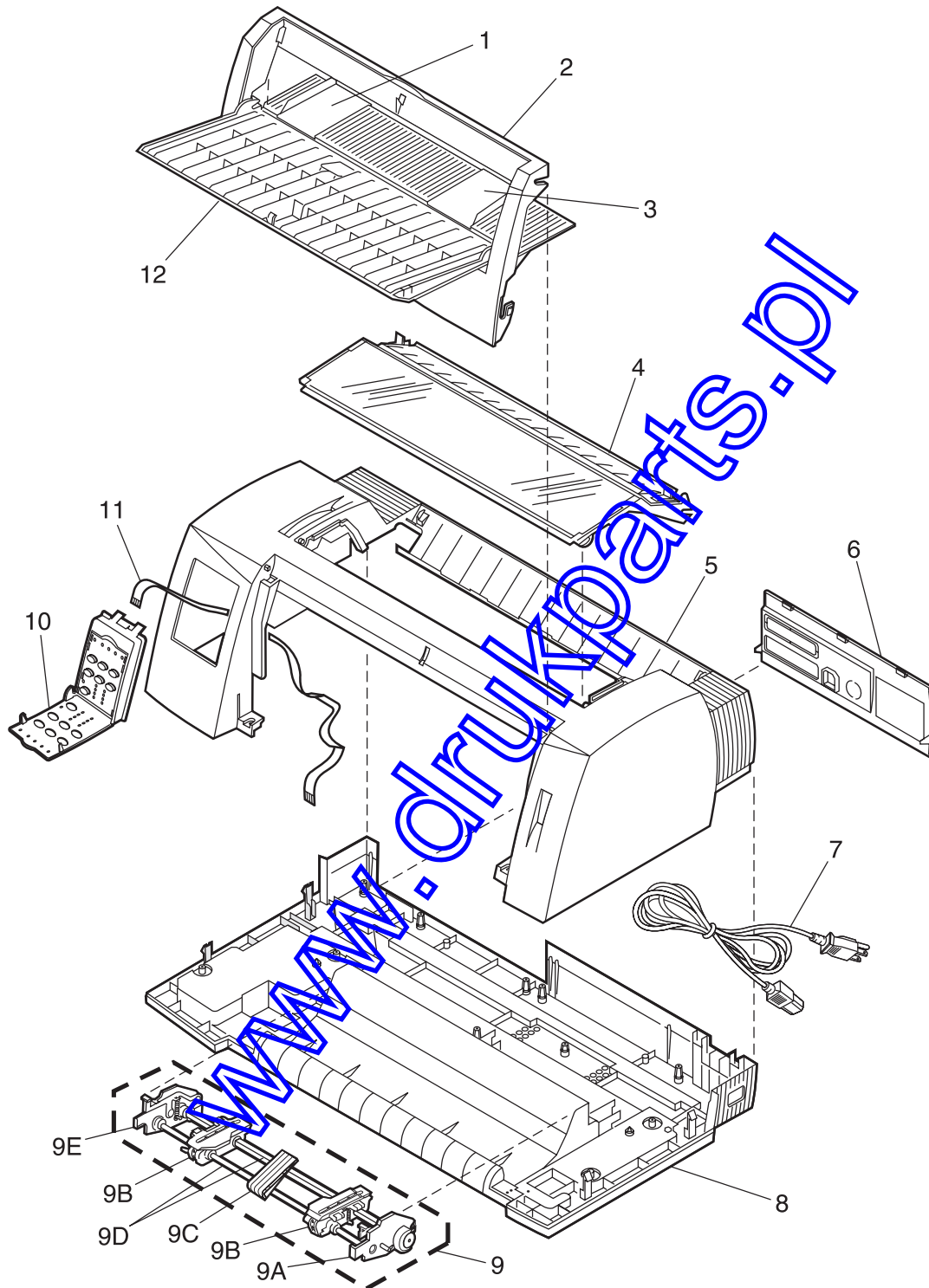
www.druckparts.nl

Assembly 1: Covers



Asm-Index	Part Number	Description
1 - 1	12G3877	Guide, Left Paper
2	12G3873	Cover, Front Unit (2480, 2490)
2	12G3874	Cover, Front Unit (2481, 2491)
3	12G3878	Guide, Right Paper
4	12G3858	Cover, Ribbon Access Unit (2480)
4	12G3859	Cover, Ribbon Access Unit (2481)
4	12G3868	Cover, Ribbon Access Unit (2490)
4	12G3869	Cover, Ribbon Access Cover (2491)
5	12G3871	Cover, Top (2480, 2490)
5	12G3872	Cover, Top (2481, 2491)
6	12G3870	Cover, Option
7	79F4757	Line Cord: U.S., AFE (LV), Canada, Central and South America, Mexico, Saudi Arabia (LV)
7	1339519	Line Cord: Malaysia, and Singapore, United Kingdom
7	1339520	Line Cord: Austria, Belgium, Brazil, Germany, Greece, Finland, France, Indonesia, Luxembourg, Portugal, Norway, Saudi Arabia (HV), Spain, Sweden, The Netherlands, Turkey
7	1339525	Line Cord - Denmark
7	1339524	Line Cord - Chile, Italy
7	1339521	Line Cord - Israel
7	1339523	Line Cord - South Africa
7	1339522	Line Cord - Switzerland
7	1339518	Line Cord: Argentina, Australia, New Zealand, Paraguay
7	1339517	Line Cord - Peru

Assembly 1: Covers

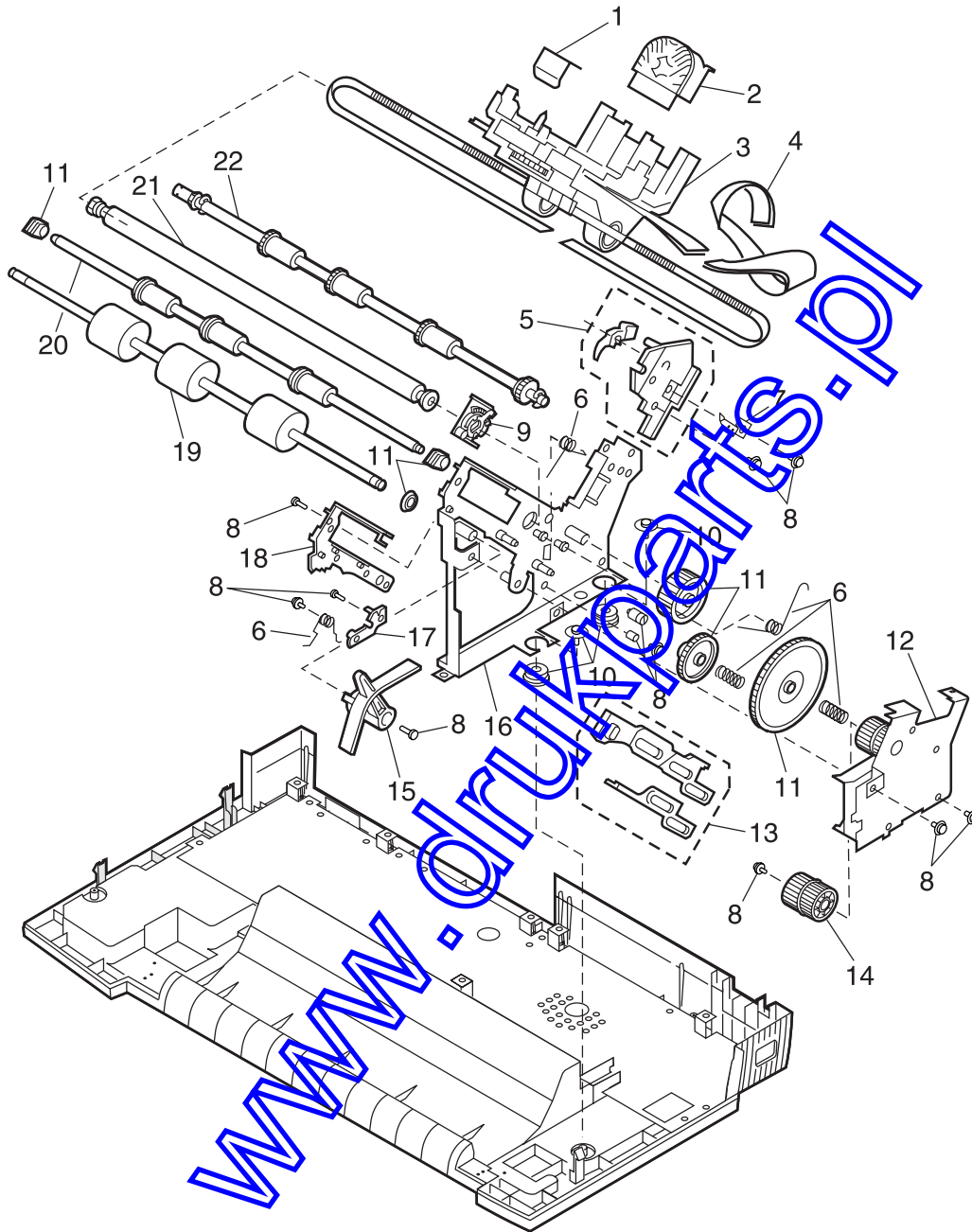


24xx

Asm-Index	Part Number	Description
1 - 8	12G3856	Cover, Bottom (2480, 2490)
8	12G3857	Cover, Bottom (2481, 2491)
9	12G3854	Tractor Unit (2480, 2490)
9	12G3855	Tractor Unit (2481, 2491)
9A	12G3850	Frame, Right Side Tractor
9B	12G3853	Tractors, Left and Right
9C	79F4830	Support, Tractor Paper
9D	12G3851	Shaft Set, Tractor (2480, 2490)
9D	12G3852	Shaft Set, Tractor (2481, 2491)
9E	12G3849	Frame, Left Side Tractor
10	12G3810	Operator Panel Assembly (248X)
10	12G3811	Operator Panel Assembly (249X)
11	12G3883	Cable, Operator Panel
12	12G3875	Cover, Front Guide (2480, 2490)
12	12G3876	Cover, Front Guide (2481, 2491)
NS	12G3999	Cover, Operator Panel Front w/ Overlay Packs
NS	12G3881	Overlay Pack, Operator Panel (248X)
NS	12G3882	Overlay Pack, Operator Panel (249X)
NS	12G3939	Stand, Paper

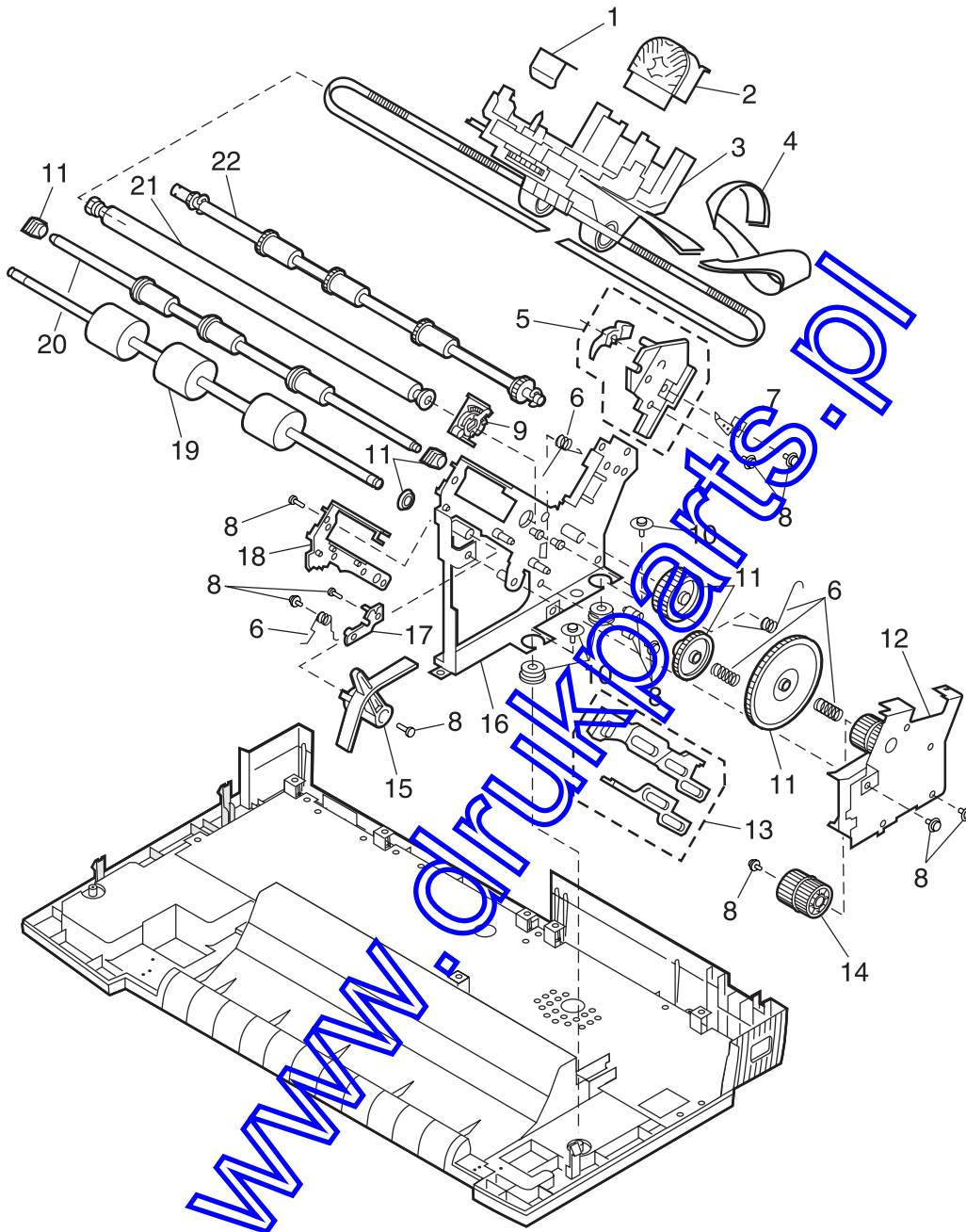
www.orkparts.pl

Assembly 2: Carrier / Paper Feed Right Side



Asm-Index	Part Number	Description
2 - 1	12G3841	Carrier Roller Set
2	12G3894	Printhead Assembly (2480, 2481)
2	12G3895	Printhead Assembly (2490, 2491)
3	12G3838	Carrier Unit (2480)
3	12G3837	Carrier Unit (2481)
3	12G3840	Carrier Unit (2490)
3	12G3839	Carrier Unit (2491)
4	12G3889	Cable, Printhead (2480)
4	12G3888	Cable, Printhead (2481)
4	12G3891	Cable, Printhead (2490)
4	12G3890	Cable, Printhead (2491)
5	12G3942	Kit, Pull Tractor Actuator
6	12G3896	Springs, Parts Packet
7	12G3836	Kit, ESD Ground (2490, 2491)
7	12G3887	Kit, ESD Ground (2480, 2481)
8	12G3907	Screws, Washers and Clips, Parts Packet
9	12G3931	Kit, Head Gap Adjustment
10	12G3884	Damper, Frame Assembly
11	12G3905	Gears and Bushings, Parts Packet (248X)
11	12G3906	Gears and Bushings, Parts Packet (249X)
12	12G3834	Sub Frame, Right Side
13	12G3898	Cam, Release Slider and Sub Slider
14	11A3274	Gear, Idler (2480, 2481)
14	11A3275	Gear, Idler (2490, 2491)
15	12G3897	Lever, Paper Select Lever
16	12G3819	Frame, Right Side
17	12G3932	Holder, Lower Pinch Roller Shaft, Right
18	12G3949	Guide, ASF/DTR, Right
19	12G3823	Roller, Lower Feed (2480, 2490)
19	12G3822	Roller, Lower Feed (2481, 2491)
20	12G3835	Roller, Lower Pinch (2480, 2490)
20	12G3943	Roller, Lower Pinch (2481, 2491)
21	12G3900	Shaft, Carrier (2480, 2490)
21	12G3901	Shaft, Carrier (2481, 2491)

Assembly 2: Carrier / Paper Feed Right Side

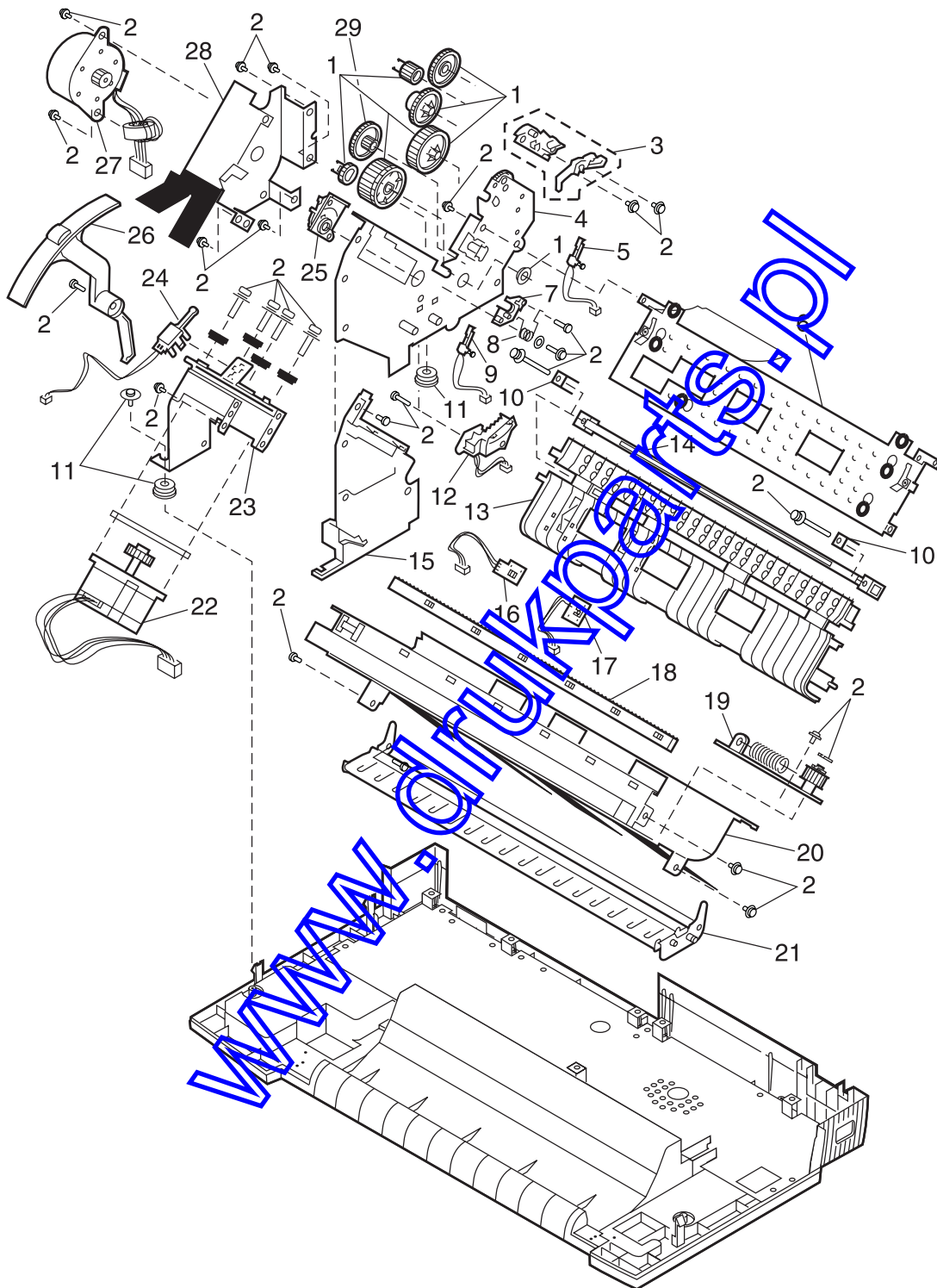


24xx

Asm-Index	Part Number	Description
2 - 22	12G3832	Roller, Upper Feed (2480, 2490)
22	12G3833	Roller, Upper Feed (2481, 2491)

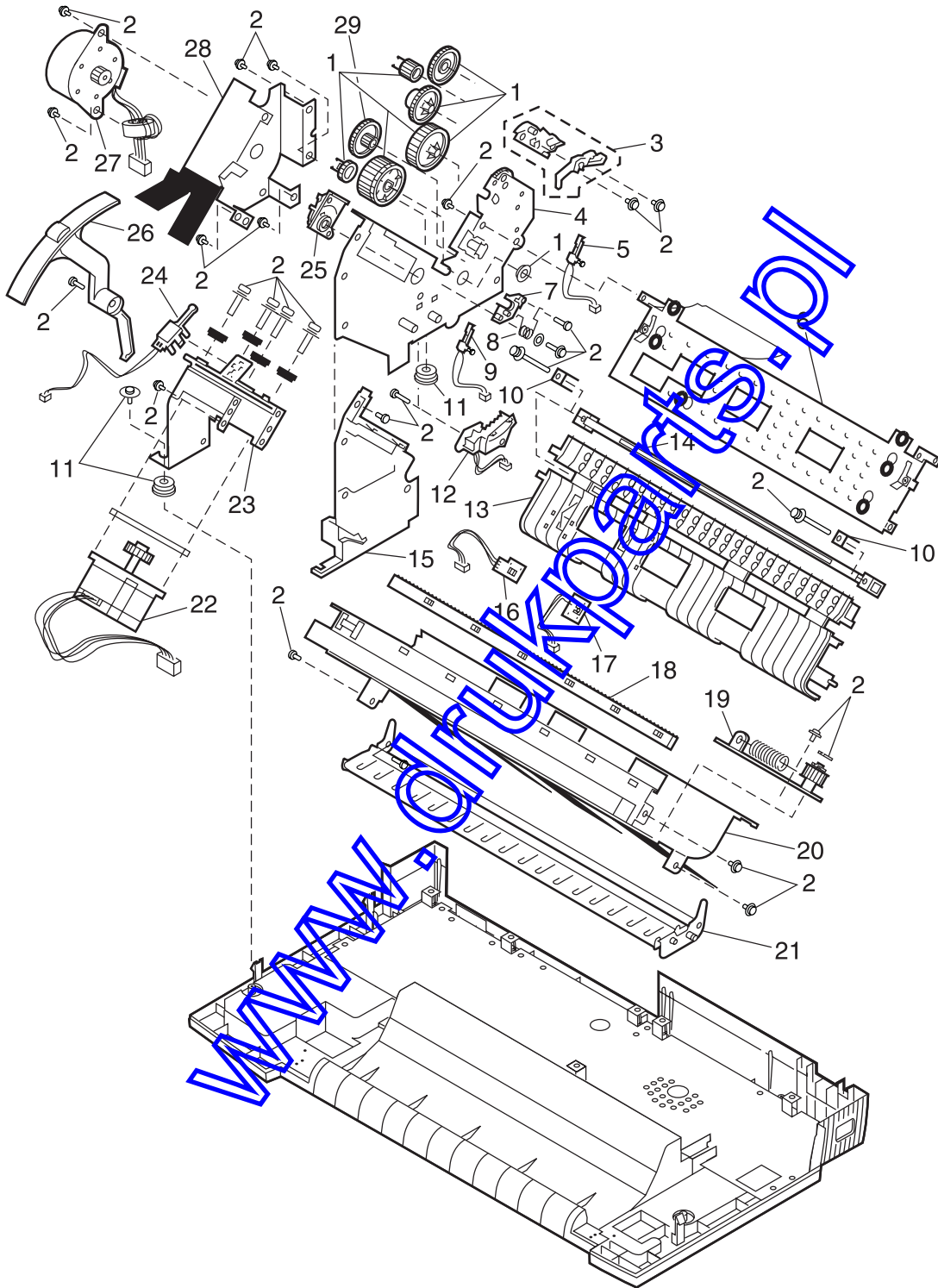
www.drukparts.pl

Assembly 3: Carrier / Paper Feed Left Side



Asm-Index	Part Number	Description
3 - 1	12G3905	Gears and Bushings, Parts Packet (248X)
1	12G3906	Gears and Bushings, Parts Packet (249X)
2	12G3907	Screws, Washers and Clips, Parts Packet
3	12G3942	Kit, Pull Tractor Actuator
4	12G3817	Frame, Left Side (2480, 2481)
4	12G3818	Frame, Left Side (2490, 2491)
5	12G3940	Sensor, Pull Tractor
6	12G3922	Plate, Frame Support (2480, 2490)
6	12G3844	Plate, Frame Support (2481, 2491)
7	12G3935	Holder, Lower Pinch Roller Shaft, Left
8	12G3896	Springs, Parts Packet
9	12G3941	Sensor, Paper Select
10	12G3902	Holder, Platen
11	12G3884	Damper, Frame Assembly
12	12G3946	Sensor, Head Gap
13	12G3821	Guide, Paper Assembly (2480, 2490)
13	12G3820	Guide, Paper Assembly (2481, 2491)
14	12G3826	Platen (2480, 2490)
14	12G3825	Platen (2481, 2491)
15	12G3948	Guide, ASF/DTR, Left
16	12G3909	Sensor, Top-Of-Form
17	12G3824	Sensor, Paper Present
18	79F4802	Gear, Ribbon Drive Rack (2480, 2490)
18	79F4834	Gear, Ribbon Drive Rack (2481, 2491)
19	12G3831	Plate, Tension Pulley Assembly
20	12G3937	Plate, Carrier Assembly (2480, 2490)
20	12G3936	Plate, Carrier Assembly (2481, 2491)
21	12G3828	Separator, Paper (2480, 2490)
21	12G3827	Separator, Paper (2481, 2491)
22	12G3846	Motor, Carrier
23	12G3892	Bracket, Carrier Motor
24	12G3845	Sensor, Home Position

Assembly 3: Carrier / Paper Feed Left Side

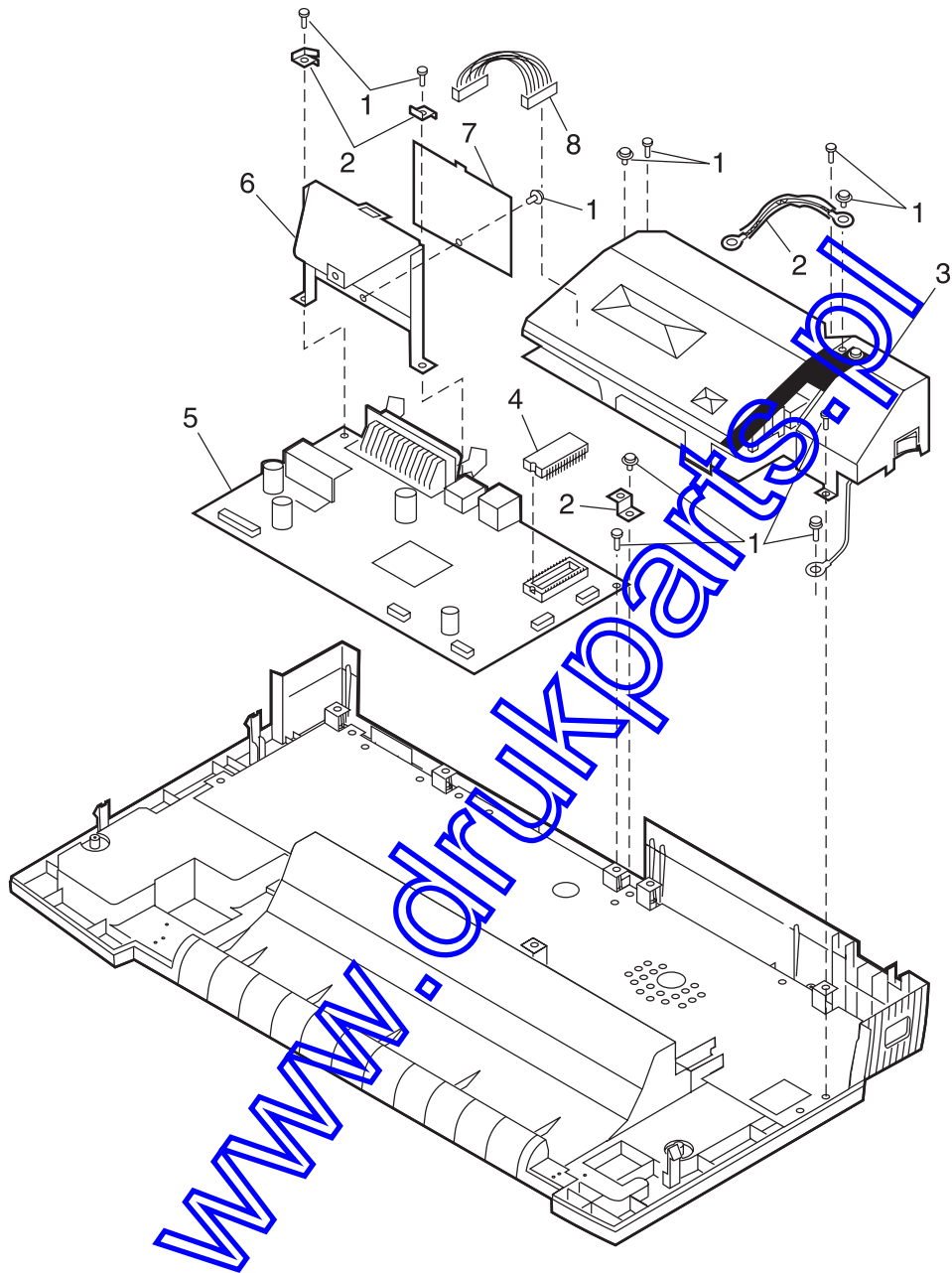


24xx

Asm-Index	Part Number	Description
3 - 25	12G3931	Kit, Head Gap Adjustment
26	12G3947	Lever, Form Thickness
27	12G3842	Motor, Paper Feed
28	12G3843	Bracket, Paper Feed Motor Assembly
29	11A3274	Gear, Idle (248X)
29	11A3275	Gear, Idle (249X)

www.drukparts.pl

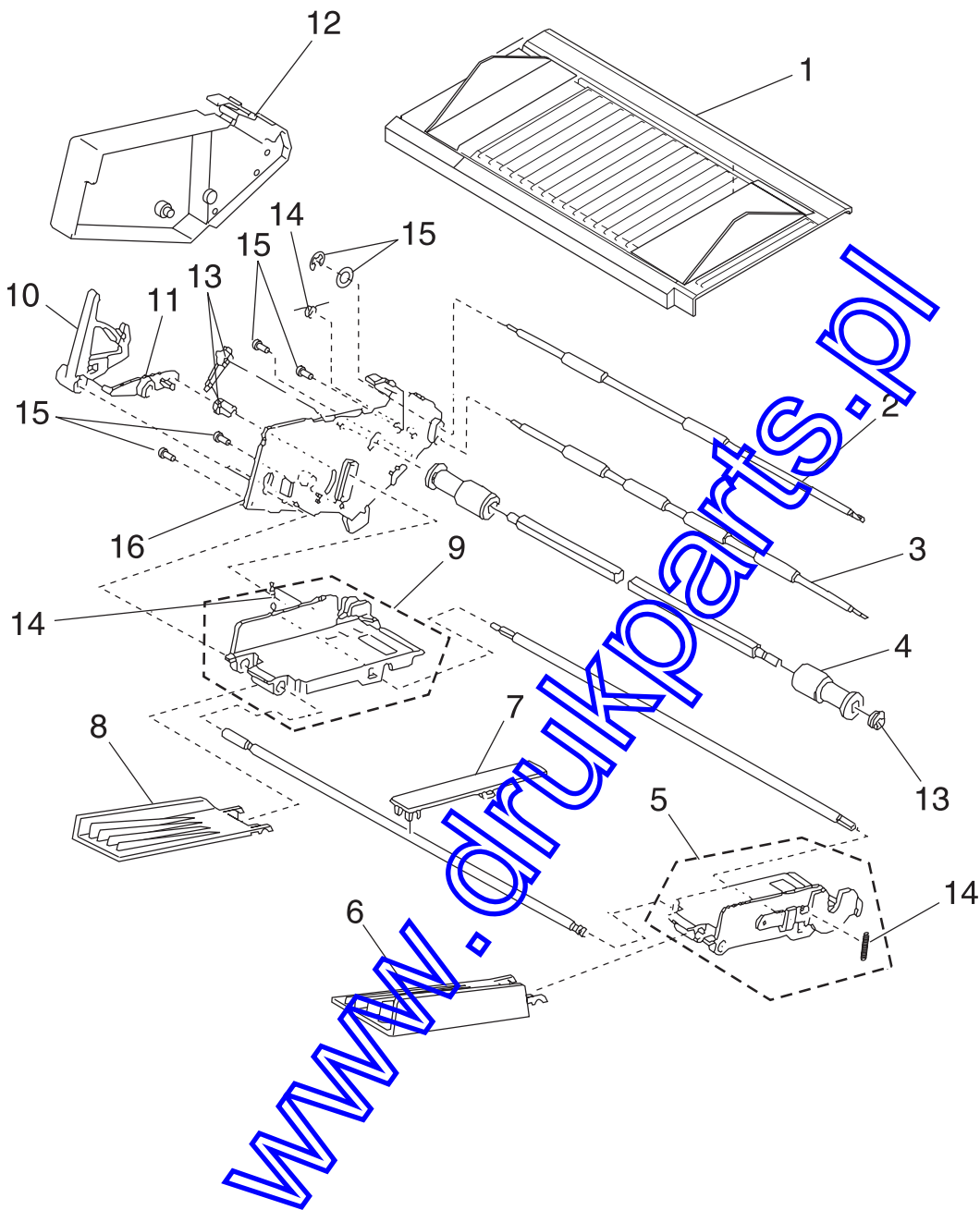
Assembly 4: Electronics



24xx

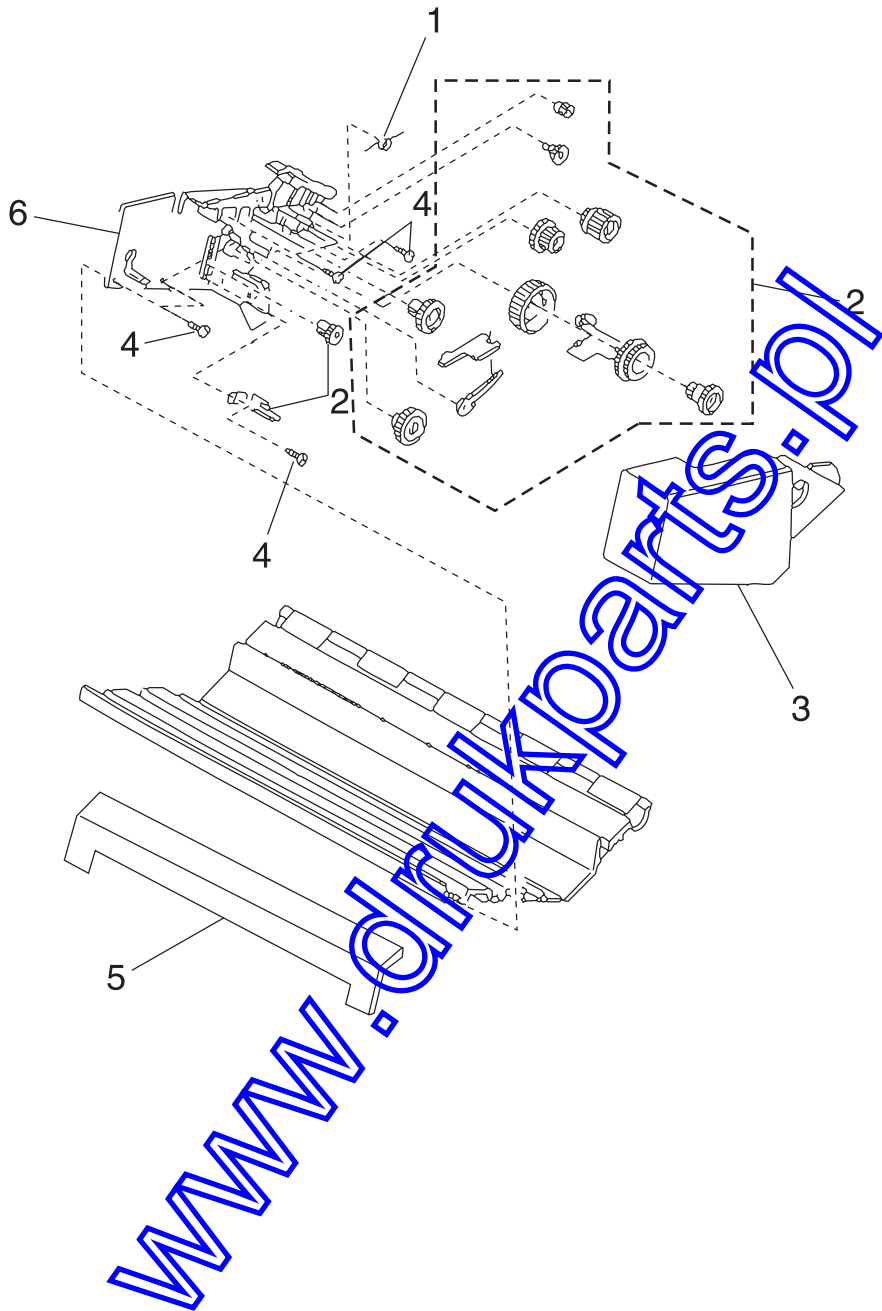
Asm-Index	Part Number	Description
4 - 1	12G3907	Screws, Washers and Clips, Parts Packet
2	12G3836	Kit, ESD Ground (2490, 2491)
2	12G3887	Kit, ESD Ground (2480, 2481)
3	12G3801	Power Supply Unit, LV
3	12G3800	Power Supply Unit, HV
4	12G3812	Module, EPROM (248X)
4	12G3813	Module, EPROM (249X)
4	12G3848	Module, EPROM (Okidata MICROLINE)
5	12G3802	Board, Logic W/O EPROM (2480 LV)
5	12G3806	Board, Logic W/O EPROM (2480 HV)
5	12G3803	Board, Logic W/O EPROM (2481 LV)
5	12G3807	Board, Logic W/O EPROM (2481 HV)
5	12G3804	Board, Logic W/O EPROM (2490 LV)
5	12G3808	Board, Logic W/O EPROM (2490 HV)
5	12G3805	Board, Logic W/O EPROM (2491 LV)
5	12G3809	Board, Logic W/O EPROM (2491 HV)
6	12G3886	Bracket, Serial Interface Card
7	12G3885	Plate, Serial Interface Card
8	12G3861	Cable, Power Supply (2480, 2490)
8	12G3860	Cable, Power Supply (2481, 2491)
NS	12G3903	Kit, Fuse (LV)
NS	12G3904	Kit, Fuse (HV)
NS	12G3929	Card, Serial Interface Card with Plate
NS	12G3936	Cable, Serial Interface Cable

Assembly 5: ASF - Roller / Support



Asm-Index	Part Number	Description
5 - 1	12G3814	Support, ASF Cut Sheet W/ Guides (2480, 2490)
1	12G3908	Support, ASF Cut Sheet W/ Guides (2481, 2491)
2	95F6886	Roller, ASF Upper Feed (2480, 2490)
2	95F6896	Roller, ASF Upper Feed (2481, 2491)
3	95F6887	Roller, ASF Lower Feed (2480, 2490)
3	95F6897	Roller, ASF Lower Feed (2481, 2491)
4	95F6885	Roller, ASF Pick-up Left and Right (2480, 2490)
4	1333275	Roller, ASF Pick-up Left and Right (2481, 2491)
5	12G3911	Hopper, ASF Right (2480, 2490)
5	12G3893	Hopper, ASF Right (2481, 2491)
6	12G3912	Support, ASF Paper Right
7	12G3914	Support, ASF Paper Center (2481, 2491)
8	12G3915	Support, ASF Paper Left
9	12G3916	Hopper, ASF Left
10	12G3933	Lever, ASF Paper Load
11	12G3934	Link, ASF Paper Load
12	12G3918	Cover, ASF Left
13	95F6892	ASF Gears and Bushings, Parts Packet
14	95F6893	ASF Springs, Parts Packet
15	95F6894	ASF Screws, Parts Packet
16	12G3944	Frame, ASF Side Left

Assembly 6: ASF - Side Frame / Covers

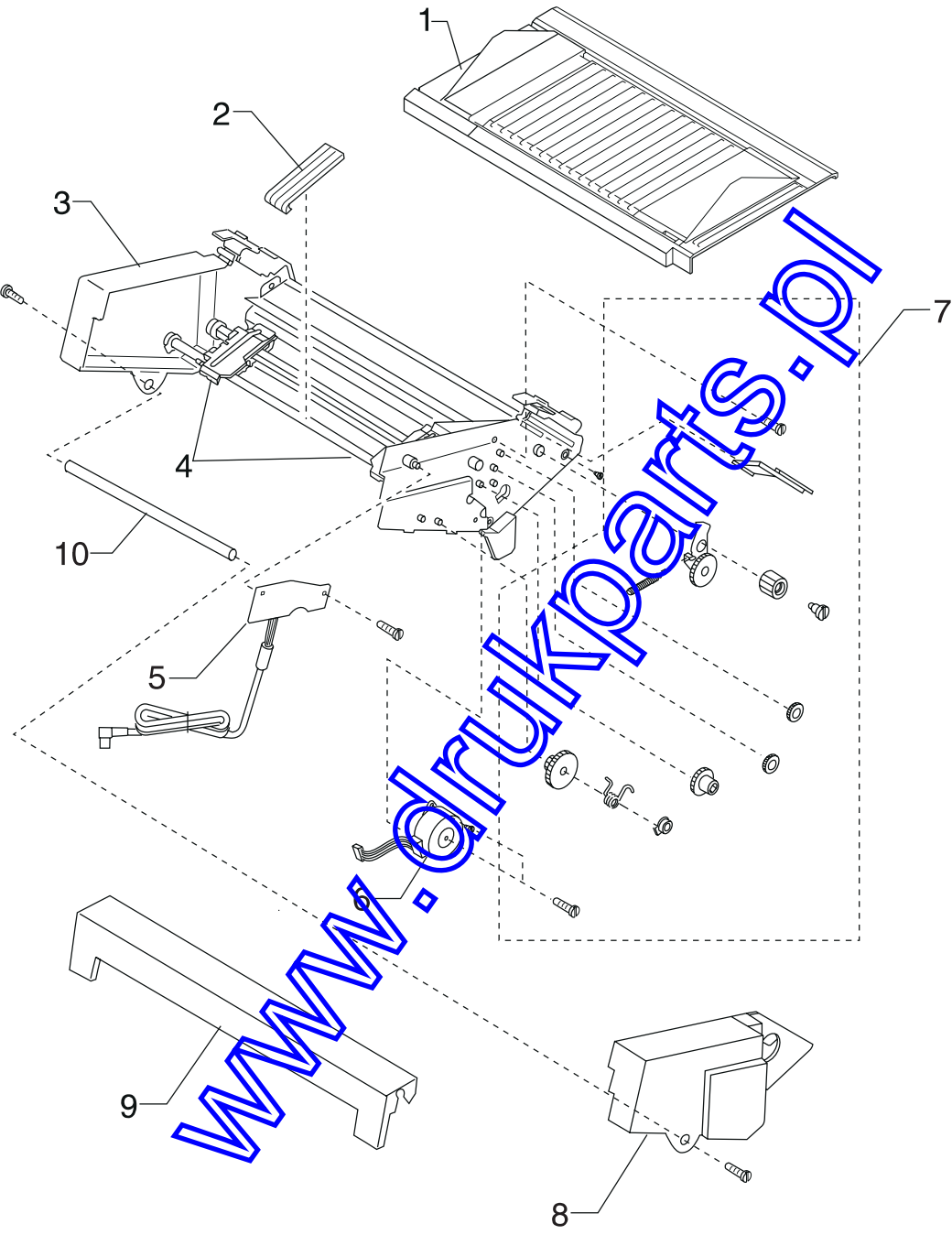


24xx

Asm-Index	Part Number	Description
6 -1	95F6893	ASF Springs, Parts Packet
2	95F6892	ASF Gears and Bushings, Parts Packet
3	12G3920	Cover, ASF Right
4	95F6894	ASF Screws, Parts Packet
5	12G3921	Cover, ASF/TR2 Front (2480, 2490)
5	12G3930	Cover, ASF/TR2 Front (2481, 2491)
6	12G3945	Frame, ASF Side Right
NS	12G3939	Stand, Paper

www.drukparts.pl

Assembly 7: Tractor 2 Option



Asm-Index	Part Number	Description
7 - 1	12G3923	Table, Tractor 2 Paper W/ Guides (2480, 2490)
1	12G3924	Table, Tractor 2 Paper W/ Guides (2481, 2491)
2	11A3338	Guide, Tractor 2 Paper
3	12G3926	Tractor and Frame Assembly, Tractor 2 (2480, 2490)
3	12G3927	Tractor and Frame Assembly, Tractor 2 (2481, 2491)
4	12G3853	Kit, Tractors Left and Right
5	11A3335	Board Assembly W/Cable and Ferrite, Tractor 2 (2480, 2490)
5	11A3336	Board Assembly W/Cable and Ferrite, Tractor 2 (2481, 2491)
6	11A3337	Motor, Tractor 2
7	11A3341	Parts Packet, Tractor 2
8	12G3928	Cover, Tractor 2, Right
9	12G3921	Cover, ASF/Tractor 2, Front (2480, 2490)
9	12G3930	Cover, ASF/Tractor 2, Front (2481, 2491)
10	11A3283	Shaft, Tractor 2 Support (2480, 2490)
10	11A3284	Shaft, Tractor 2 Support (2481, 2491)

www.drumsports.pl

Coax / Twinax Adapter

Asm-Index	Part Number	Description
NS	12G3704	Adapter, Coax (Power Cable and Adapter)
NS	12G3705	Adapter, Twinax (Power Cable and Adapter)
NS	12G3709	Bracket, Adapter (Bracket Only)
NS	13A0297	Cable, Coax (Cable Only)
NS	13A0296	Cable, Twinax (Cable Only)
NS	11A6109	Cable, Socket Power Coax, Twinax (Socket Power Cable Only)

www.drukparts.pl