

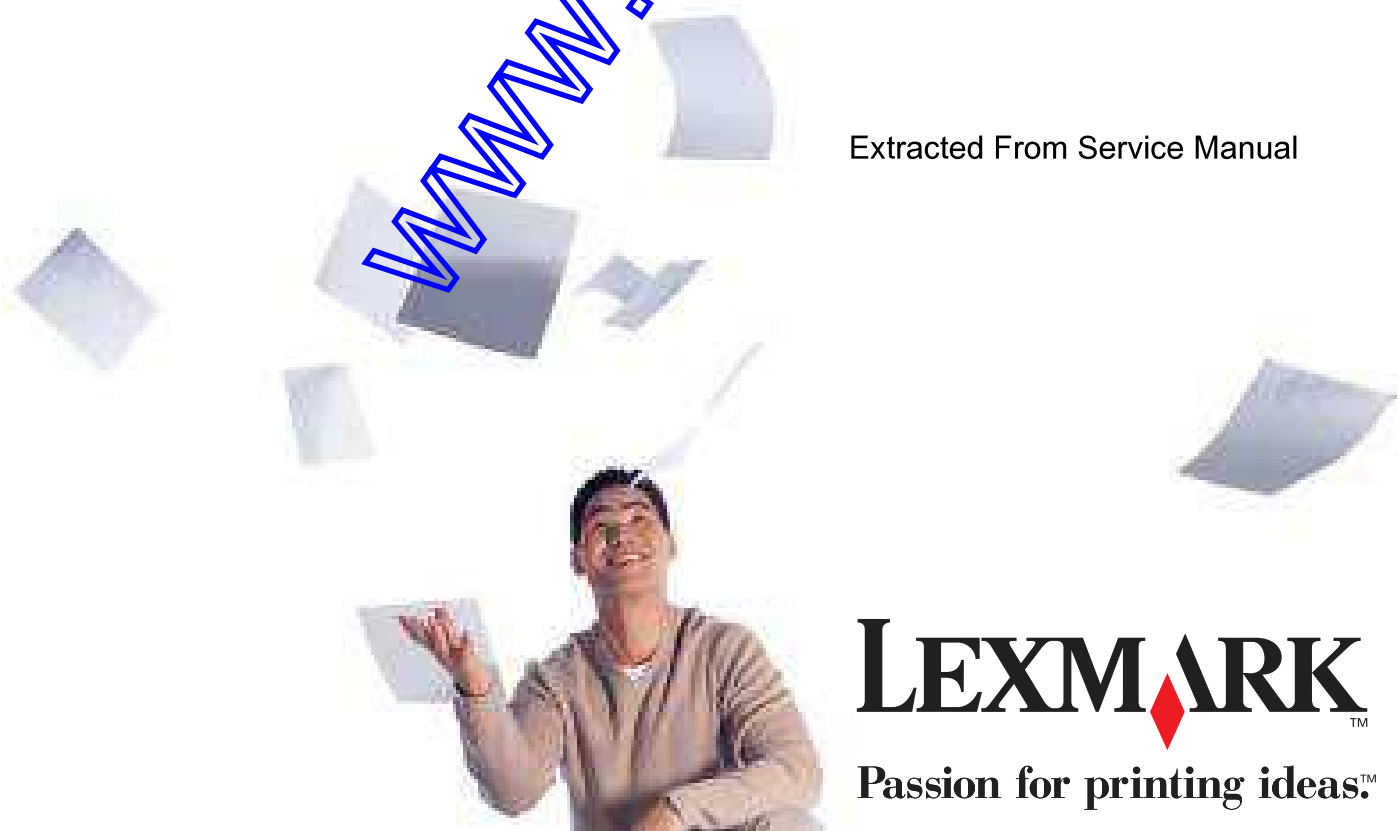
Parts Breakdown

Lexmark Optra™ M410/M412

4045-XXX

www.drukparts.pl

Extracted From Service Manual



LEXMARK™

Passion for printing ideas.™

Edition: May 2000

The following paragraph does not apply to any country where such provisions are inconsistent with local law: LEXMARK INTERNATIONAL, INC. PROVIDES THIS PUBLICATION "AS IS" WITHOUT WARRANTY OF ANY KIND, EITHER EXPRESS OR IMPLIED, INCLUDING, BUT NOT LIMITED TO, THE IMPLIED WARRANTIES OF MERCHANTABILITY OR FITNESS FOR A PARTICULAR PURPOSE. Some states do not allow disclaimer of express or implied warranties in certain transactions; therefore, this statement may not apply to you.

This publication could include technical inaccuracies or typographical errors. Changes are periodically made to the information herein; these changes will be incorporated in later editions. Improvements or changes in the products or the programs described may be made at any time.

A form for reader's comments is provided at the back of this publication. If the form has been removed, comments may be addressed to Lexmark International, Inc., Department D22A/032-2, 740 West New Circle Road, Lexington, Kentucky 40550, U.S.A. Lexmark may use or distribute any of the information you supply in any way it believes appropriate without incurring any obligation to you. You can purchase additional copies of publications related to this product by calling 1-800-553-9727. In other countries, contact your point of purchase.

Lexmark and Optra are trademarks of Lexmark International, Inc., registered in the United States and/or other countries.

Color Jetprinter is a trademark of Lexmark International, Inc.

Other trademarks are the property of their respective owners.

© Copyright Lexmark International, Inc. 2000.

All rights reserved.

UNITED STATES GOVERNMENT RESTRICTED RIGHTS

This software and documentation are provided with RESTRICTED RIGHTS. Use, duplication or disclosure by the Government is subject to restrictions as set forth in subparagraph (c)(1)(ii) of the Rights in Technical Data and Computer Software clause at DFARS 252.227-7013 and in applicable FAR provisions: Lexmark International, Inc., Lexington, KY 40550.

6. Parts Catalog

How To Use This Parts Catalog

- **SIMILAR ASSEMBLIES:** If two assemblies contain a majority of identical parts, they are shown on the same list. Common parts are shown by one index number. Parts peculiar to one or the other of the assemblies are listed separately and identified by description.
- **AR:** (As Required) in the Units column indicates that the quantity is not the same for all machines.
- **NS:** (Not Shown) in the Asm-Index column indicates that the part is procurable but is not pictured in the illustration.
- **PP:** (Parts Packet) in the parts description column indicates the part is contained in a parts packet.
- **INDENTURE:** The indenture is marked by a series of dots located before the parts description. The indenture indicates the relationship of a part to the next higher assembly. For example:

INDENTURE RELATIONSHIP OF PARTS

(No dot) MAIN ASSEMBLY

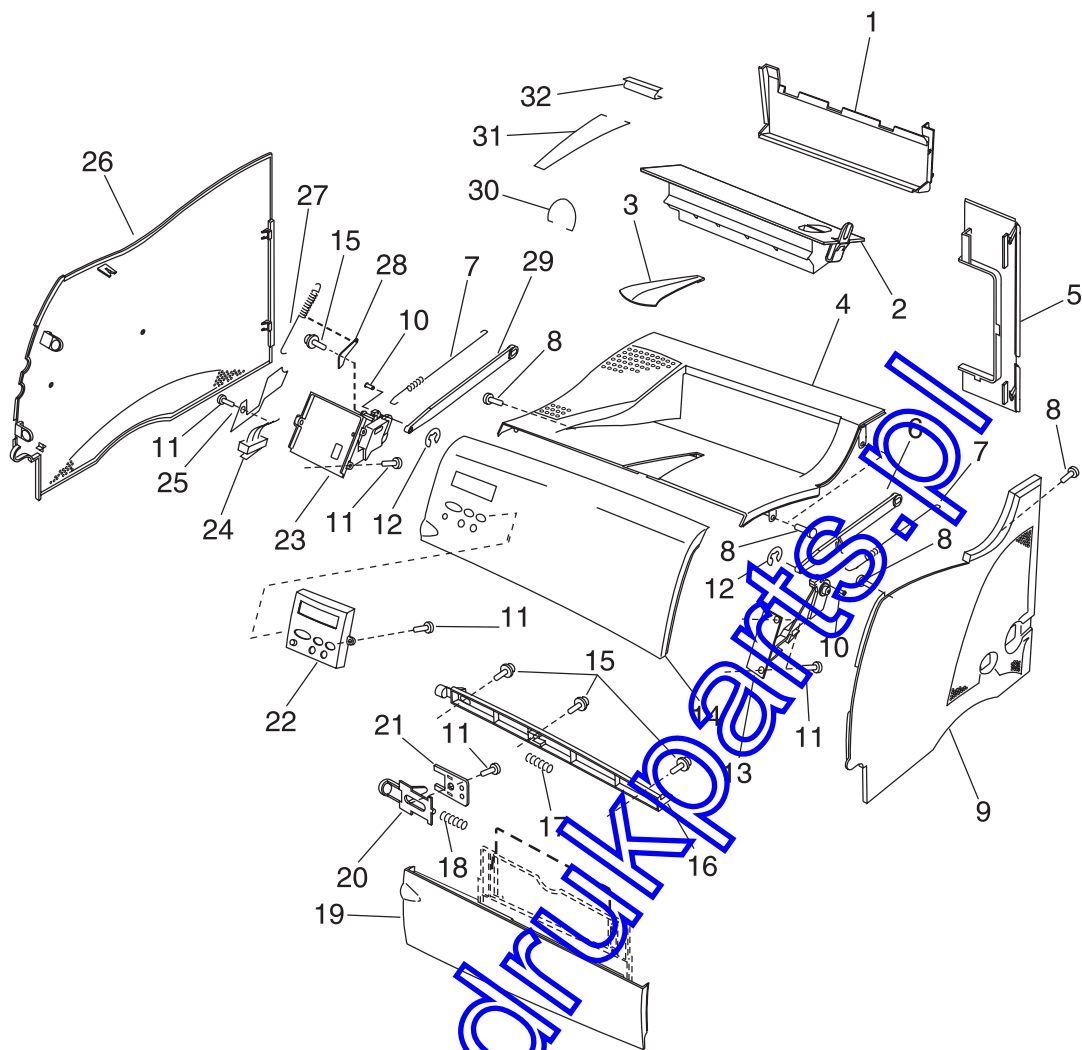
(One dot) o Detail parts of a main assembly

(One dot) o Subassembly of the main assembly

(Two dot) o o Detail part of a one-dot subassembly

(Two dot) o o Subassembly of a one-dot subassembly

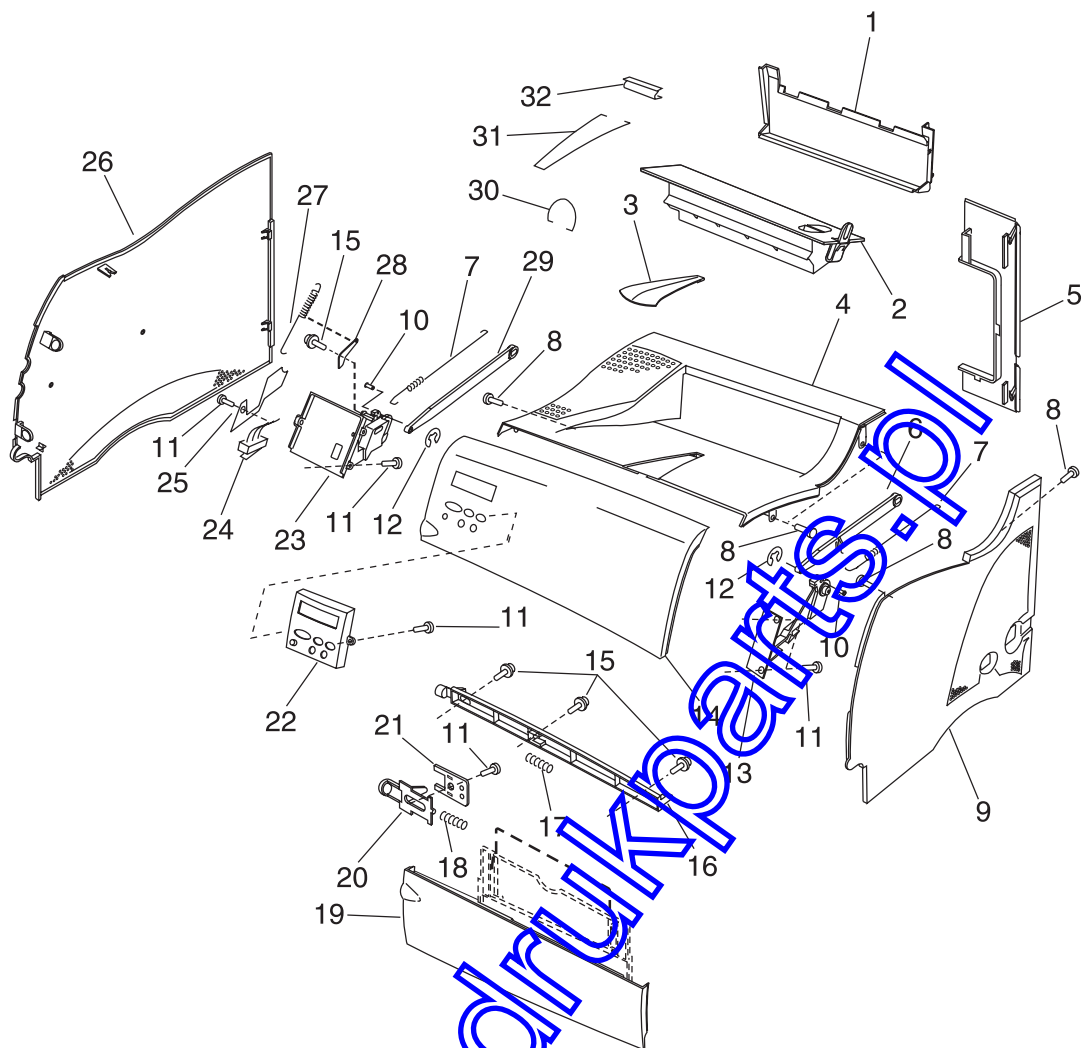
Assembly 1: Covers



4045-XXX

Asm-Index	Part Number	Units	Description
1-1	12G0258	1	Cover, Exit
1-2	12G0259	1	Duct, Fuser Cooling Air
1-3	12G0254	1	Support, Paper
1-3	1263566	1	Bail Assembly, Optional
1-4	12G0253	1	Cover, Top
1-5	12G0257	1	Cover, Rear
1-6	12G0428	1	Link, Right Hinge
1-7	12G0267	2	Link, Spring
1-8		6	Screw, M4x8 PP 12G0445
1-9	12G0256	1	Cover, Right Side
1-10	12G0426	2	Pin, Hinge
1-11		10	Screw, M3x8 PP 12G0445
1-12		2	Clip, PP 12G0445
1-13	12G0427	1	Hinge, Right
1-14	12G0260	1	Cover, Upper Front M410
1-14	12G3550	1	Cover, Upper Front M412
1-15		4	Screw w/washer, M3x8 PP12G0445
1-16	12G0264	1	Hook, Upper
1-17	12G0265	1	Spring, Upper Hook
1-18	12G0431	1	Spring, MPF Latch
1-19	12G0266	1	Tray, MPF Input
1-20	12G0430	1	Latch, MPF Tray
1-21	12G0429	1	Cover, MPF Latch
1-22	12G0440	1	Panel Asm, Operator, 110V
1-22	12G0441	1	Panel Asm, Operator, 220V
1-23	12G0424	1	Hinge, Left
1-24	12G1860	1	Cable Asm, Op Panel & Cover Open Switch
1-25	12G0262	1	Cover, Left Hinge
1-26	12G0255	1	Cover, Left Side
1-27	12G0269	1	Spring, End Stop

Assembly 1: Covers (continued)



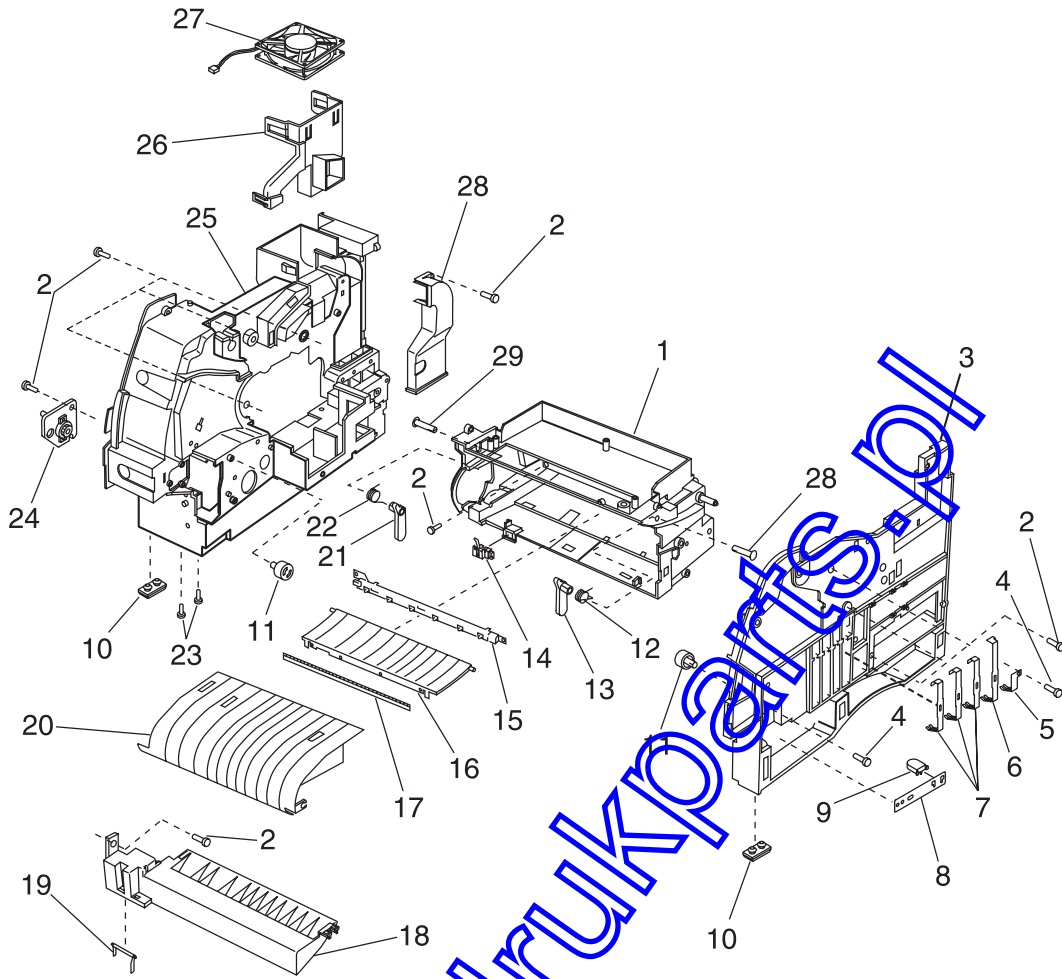
www.druckparts.pl

4045-XXX

Asm-Index	Part Number	Units	Description
1-28	12G0268	1	Stop, End
1-29	12G0425	1	Link, Left Hinge
1-30	12G0437	1	Bail, Optional Front Paper
1-31	12G0438	1	Bail, Main Rear Paper
1-32	12G0439	1	Holder, Rear Paper Bail
NS	12G3701	1	Overlay NLS pack: English, French, German, Italian, Spanish, Danish, Dutch, Norwegian, Swedish, Finnish
NS	12G3702	1	Overlay XNLS pack: Czech, Hungarian, Polish, Russian, Turkish
NS	12G3703	1	Overlay pack: French/Canadian

www.drukparts.pl

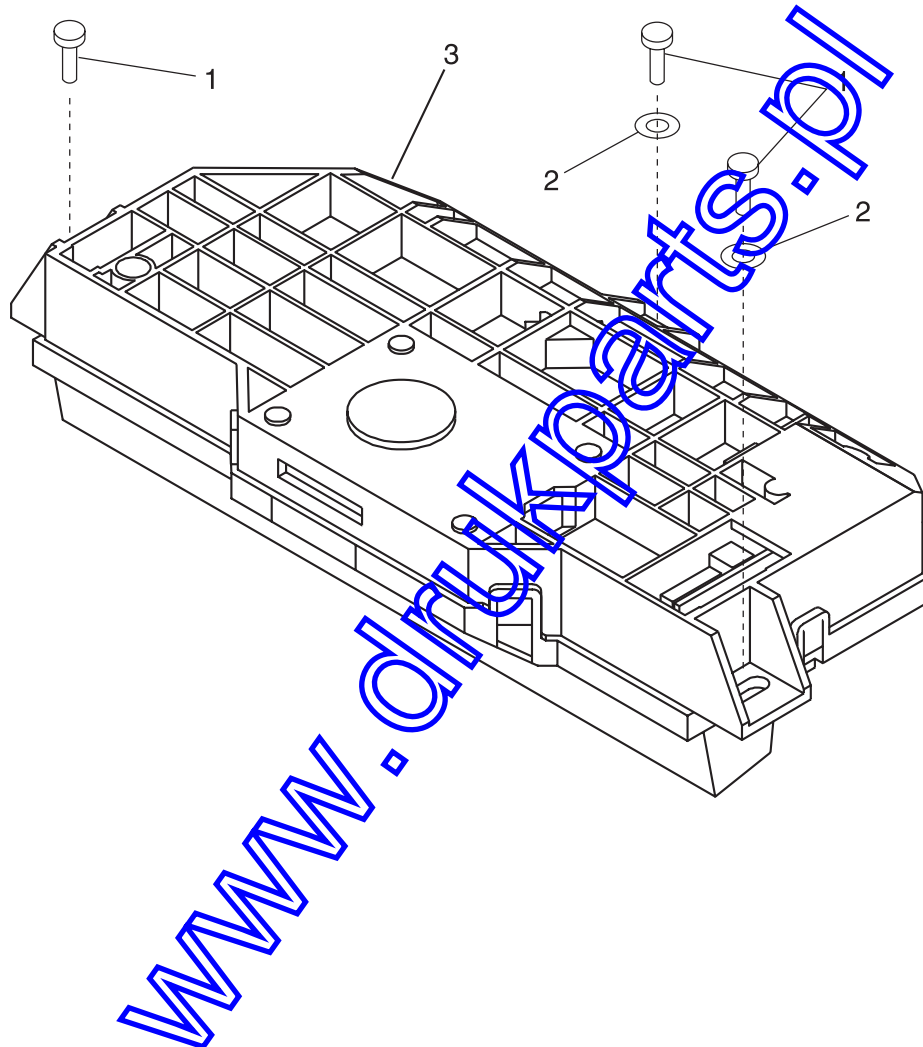
Assembly 2: Frame



Asm-Index	Part Number	Units	Description
2-1	12G0274	1	Frame, Base
2-2		8	Screw, M4x12 PP 12G0445
2-3	12G0288	1	Frame, Right Side
2-4		2	Screw, M3x8 PP 12G0445
2-5	12G0291	1	Contact, HVPS Charge
2-6	12G0290	1	Contact, HVPS Drum
2-7	12G0289	3	Contact, HVPS Drum
2-8	12G0293	1	Spring, Cartridge Locate
2-9	12G0292	1	Pin, Cartridge Locate
2-10	12G0250	4	Foot, Rubber
2-11	12G0423	2	Support, Cartridge
2-12	12G0277	1	Spring, IC Locate Arm, Right
2-13	12G0275	1	Arm, IC Locate, Right
2-14	12G3560	1	Sensor, Paper Input
2-15	12G0451	1	LED Asm, Erase
2-16	12G0281	1	Guide, Middle Paper
2-17	12G0282	1	Brush, Erase
2-18	12G0296	1	Guide, Paper
2-19	12G0295	1	Lever, Input Sensor
2-20	12G0280	1	Guide, Front Paper
2-21	12G0276	1	Arm, IC Locate, Left
2-22	12G0278	1	Spring, IC Locate Arm, Left
2-23		2	Screw, M4x8 PP 12G0445
2-24	12G0294	1	Plate Asm, MPF
2-25	12G0283	1	Frame, Left Side
2-26	12G0285	1	Duct, Fuser Cooling Air
2-27	12G0284	1	Cable & Fan Asm, Cooling
2-28	12G0286	1	Cover, Inner Air Duct
2-29	12G0279	2	Pin, IC Locate Arm

4045-XXX

Assembly 3: Printhead



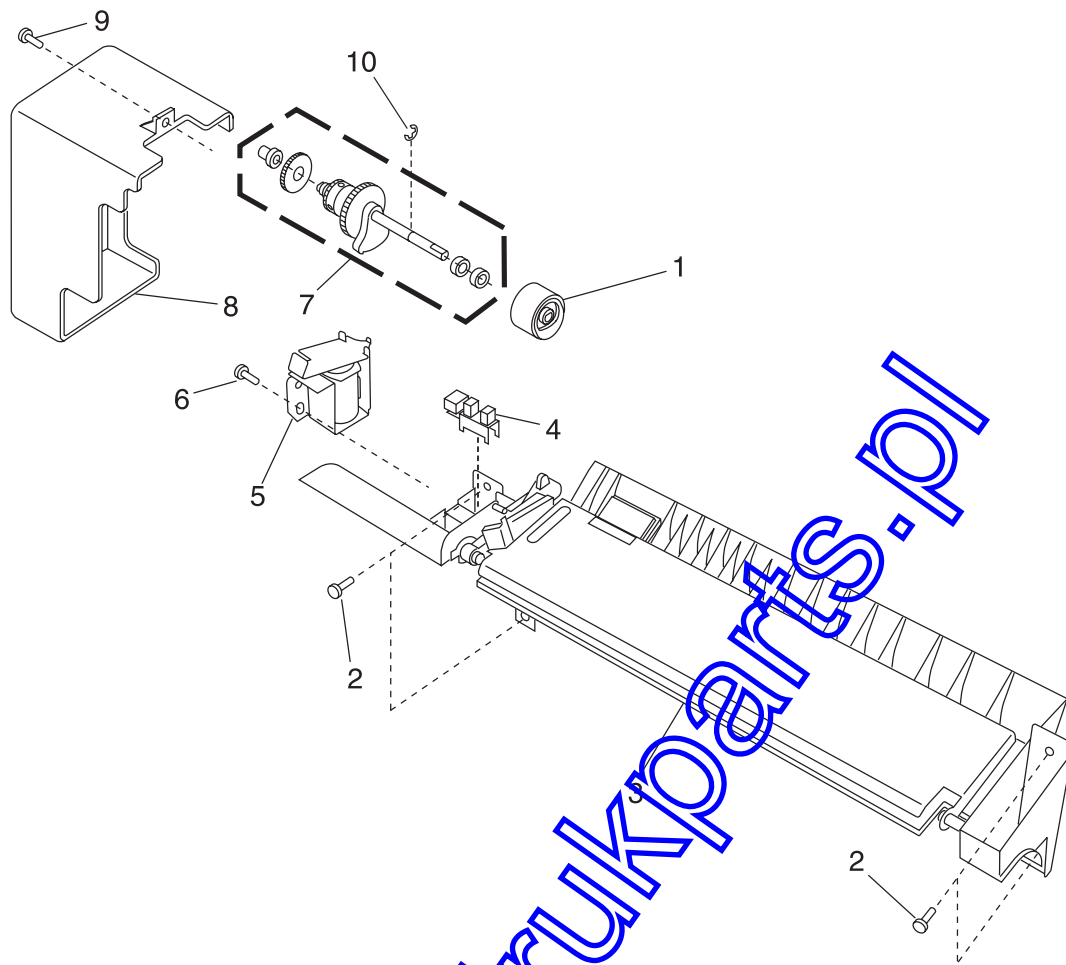
4045-XXX

Asm-Index	Part Number	Units	Description
3-1		3	Screw, M4x12 PP 12G0445
3-2		2	Washer, PP 12G0445
3-3	12G0298	1	Printhead, Complete M410
3-3	12G3551	1	Printhead, Complete M412

www.drukparts.pl

4045-XXX

Assembly 4: Paper Feed - Multipurpose Unit



www.drukparts.pl

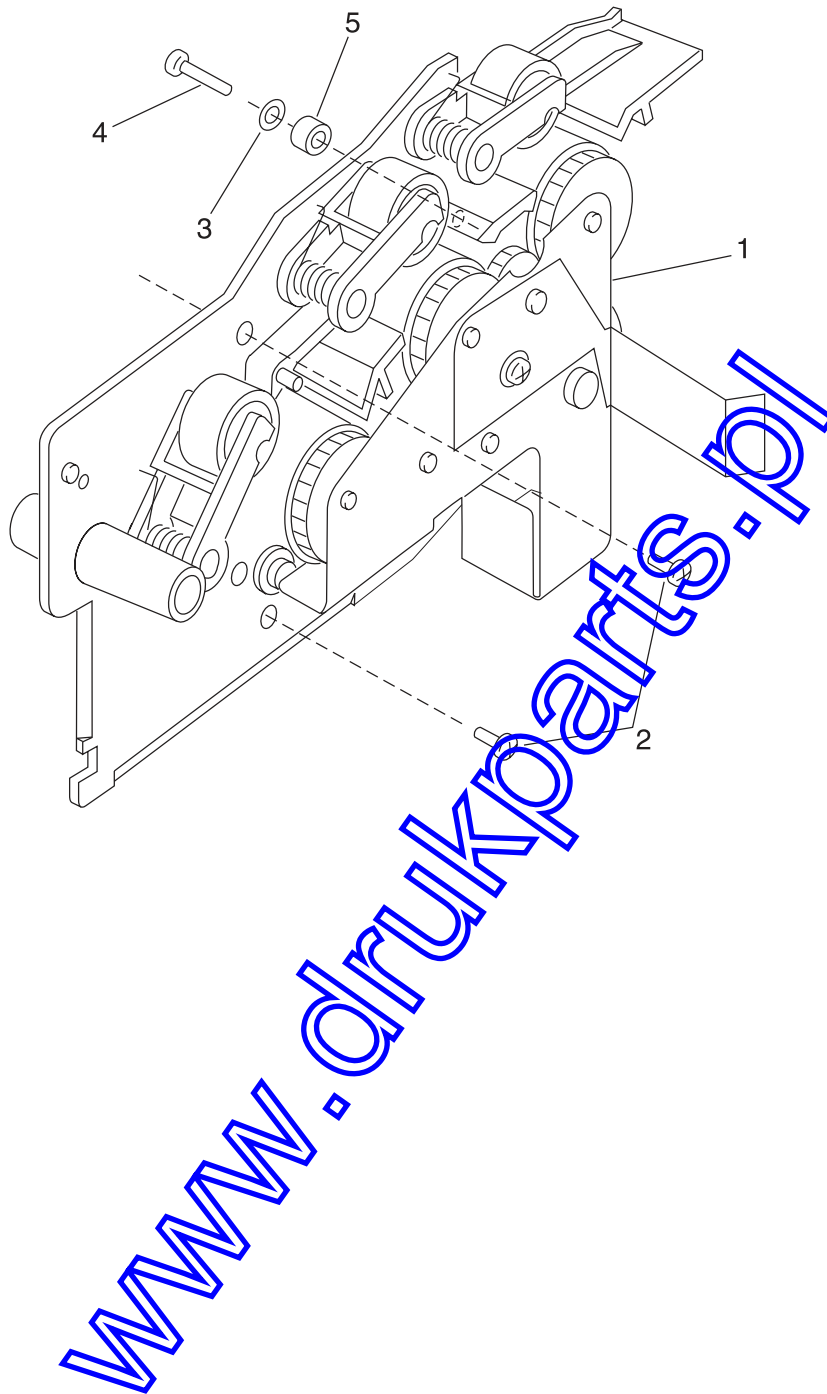
4045-XXX

Asm-Index	Part Number	Units	Description
4-1	12G0299	1	Roller Asm, MPF Pick
4-2		4	Screw, M4x12 PP 12G0445
4-3	12G0301	1	Feeder Asm, MPF
4-4	12G0252	1	Sensor, MPF Input
4-5	12G0251	1	Solenoid, MPF Pick Roller
4-6		1	Screw, M3x8 PP 12G0445
4-7	12G0300	1	Shaft Asm, MPF Pick Roller
4-8	12G0302	1	Cover, Gear
4-9		1	Screw, M4x8 PP 12G0445
4-10		1	Clip, PP 12G0445

www.drukparts.nl

4045-XXX

Assembly 5: Paper Feed - Alignment

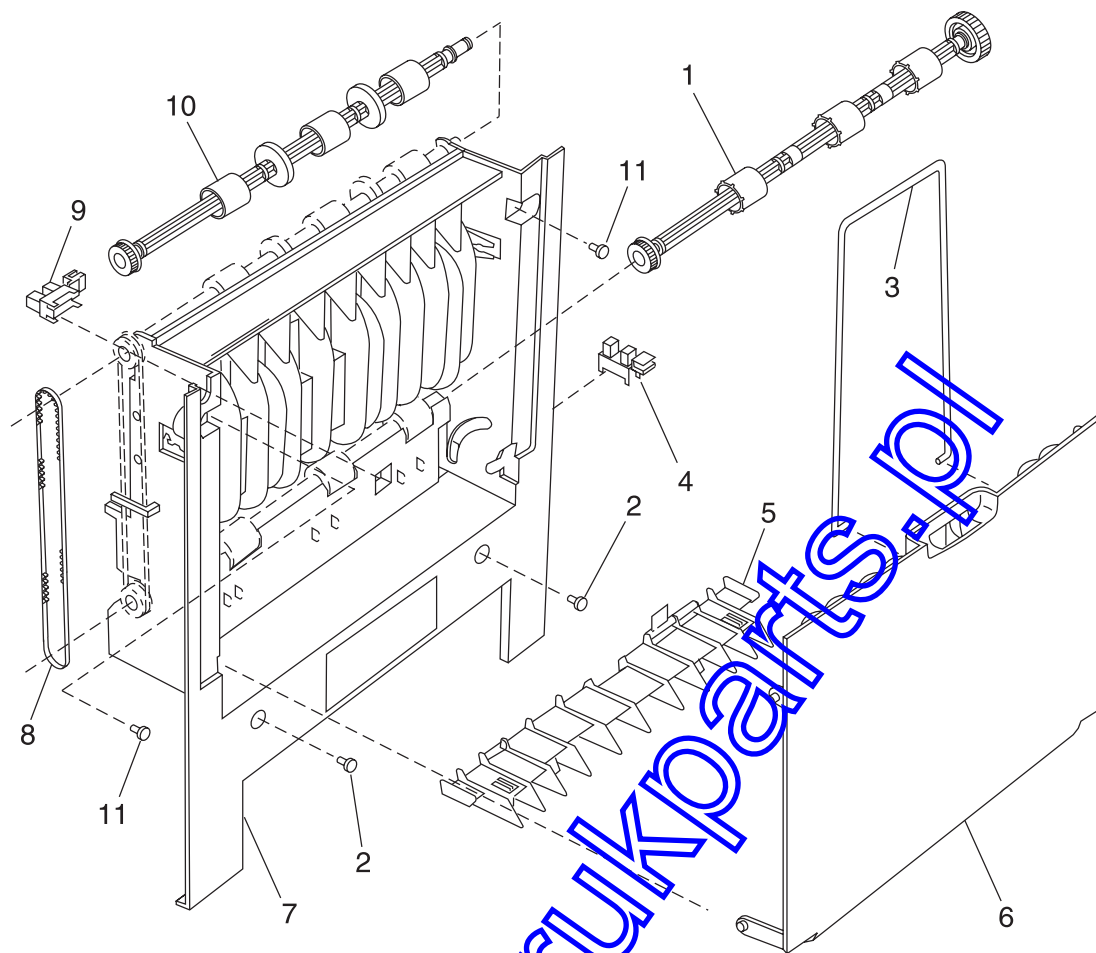


4045-XXX

Asm-Index	Part Number	Units	Description
5-1	12G0303	1	Aligner Asm, Paper Feed
5-2		2	Screw, M4x8 PP 12G0445
5-3		1	Spring Washer, PP 12G0445
5-4		1	Screw, Adjustment M3x16 PP 12G0445
5-5	12G0452	1	Spacer, Adjustment screw

www.drukparts.pl

Assembly 6: Paper Feed - Output



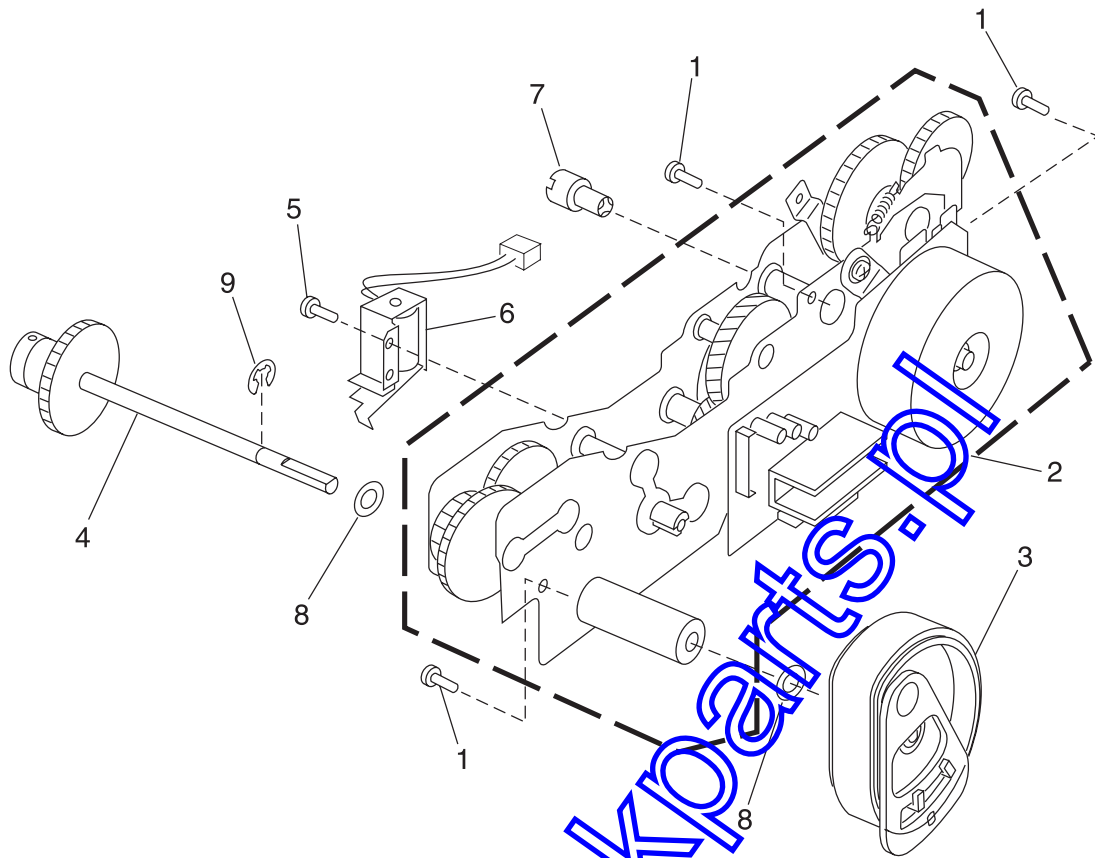
www.drukparts.pl

Asm-Index	Part Number	Units	Description
6-1	12G0308	1	Roller, Lower Redrive
6-2		2	Screw, M3x6 PP 12G0445
6-3	12G0305	1	Bail, Rear Door Paper
6-4	12G0252	1	Sensor, Rear Door
6-5	12G0309	1	Deflector, Paper
6-6	12G0304	1	Door, Rear
6-7	12G0306	1	Frame, Rear Paper Exit
6-8	12G0310	1	Belt, Redrive Roller
6-9	12G0252	1	Sensor, Paper Exit
6-10	12G0307	1	Roller, Upper Redrive
6-11		2	Screw, M4x8 PP 12G0445

www.drukparts.nl

4045-XXX

Assembly 7: Main Drive



www.drukparts.pl

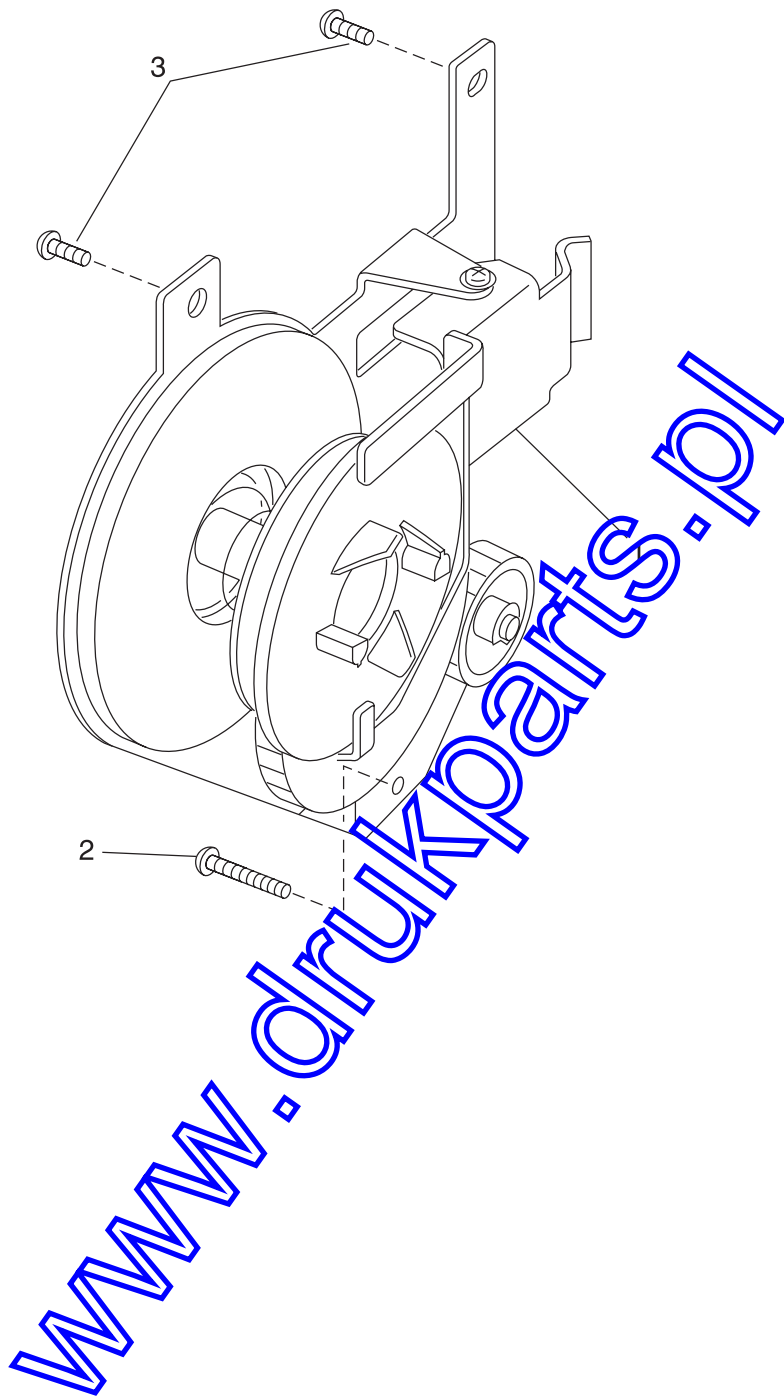
4045-XXX

Asm-Index	Part Number	Units	Description
7-1		3	Screw, M4x12 PP 12G0445
7-2	12G0321	1	Drive Asm, Main M410
7-2	12G3552	1	Drive Asm, Main M412
7-3	12G0323	1	Roller, Pick
7-4	12G0322	1	Shaft Asm, Pick Roller
NS	12G3673	1	Clutch Spring, Pick Roller
7-5		1	Screw, M3x8 PP 12G0445
7-6	12G0443	1	Solenoid, Main Pick Roller
7-7	12G0324	1	Coupling, Spline Drive
7-8		2	Washer, PP 12G0445
7-9		1	Clip, PP 12G0445

www.druckparts.com

4045-XXX

Assembly 8: Developer Drive

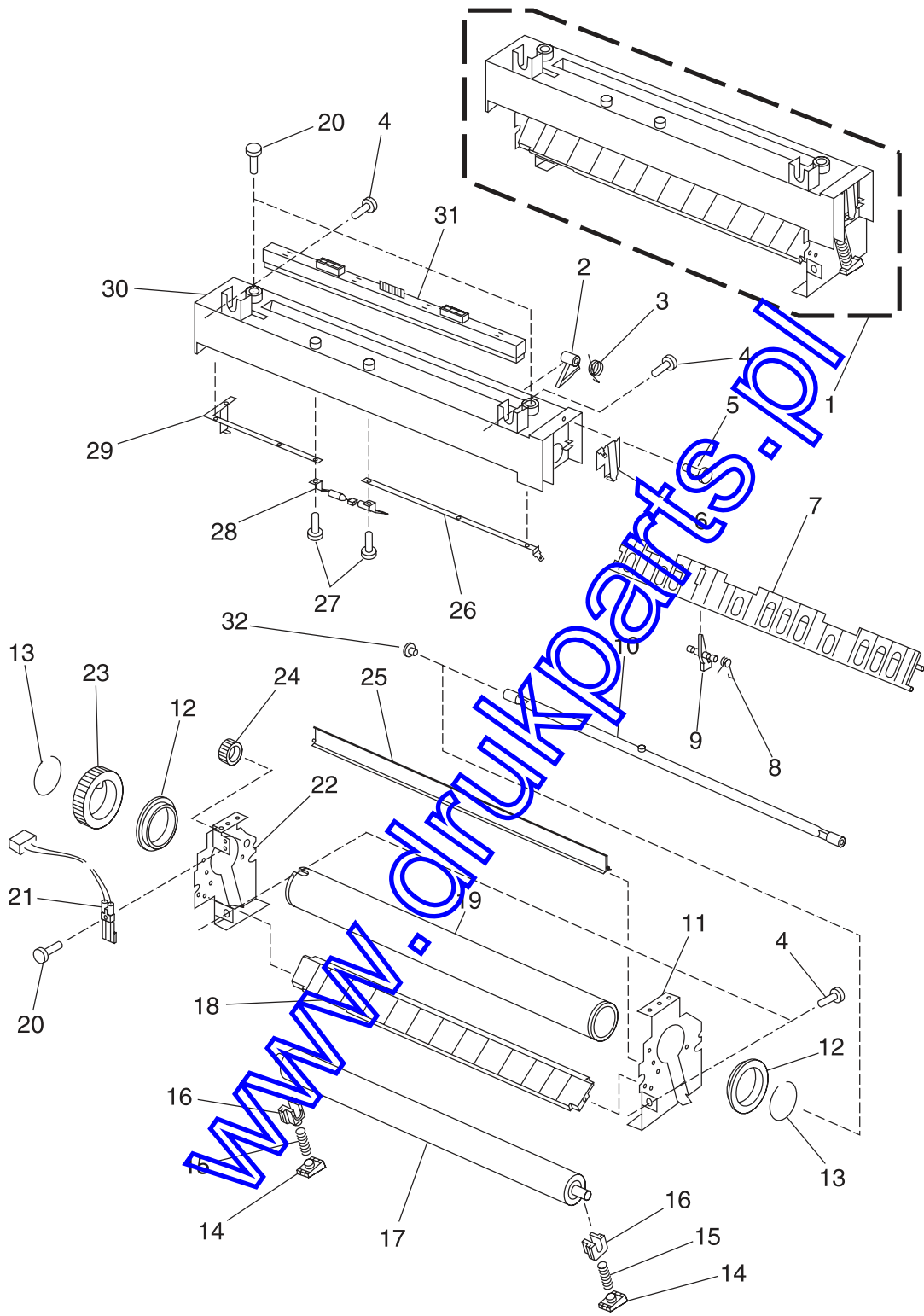


4045-XXX

Asm-Index	Part Number	Units	Description
8-1	12G0325	1	Drive Asm, Developer
8-2		1	Screw, M3x25 PP12G0445
8-3		2	Screw, M4x12 PP12G0445

www.drukparts.pl

Assembly 9: Fuser

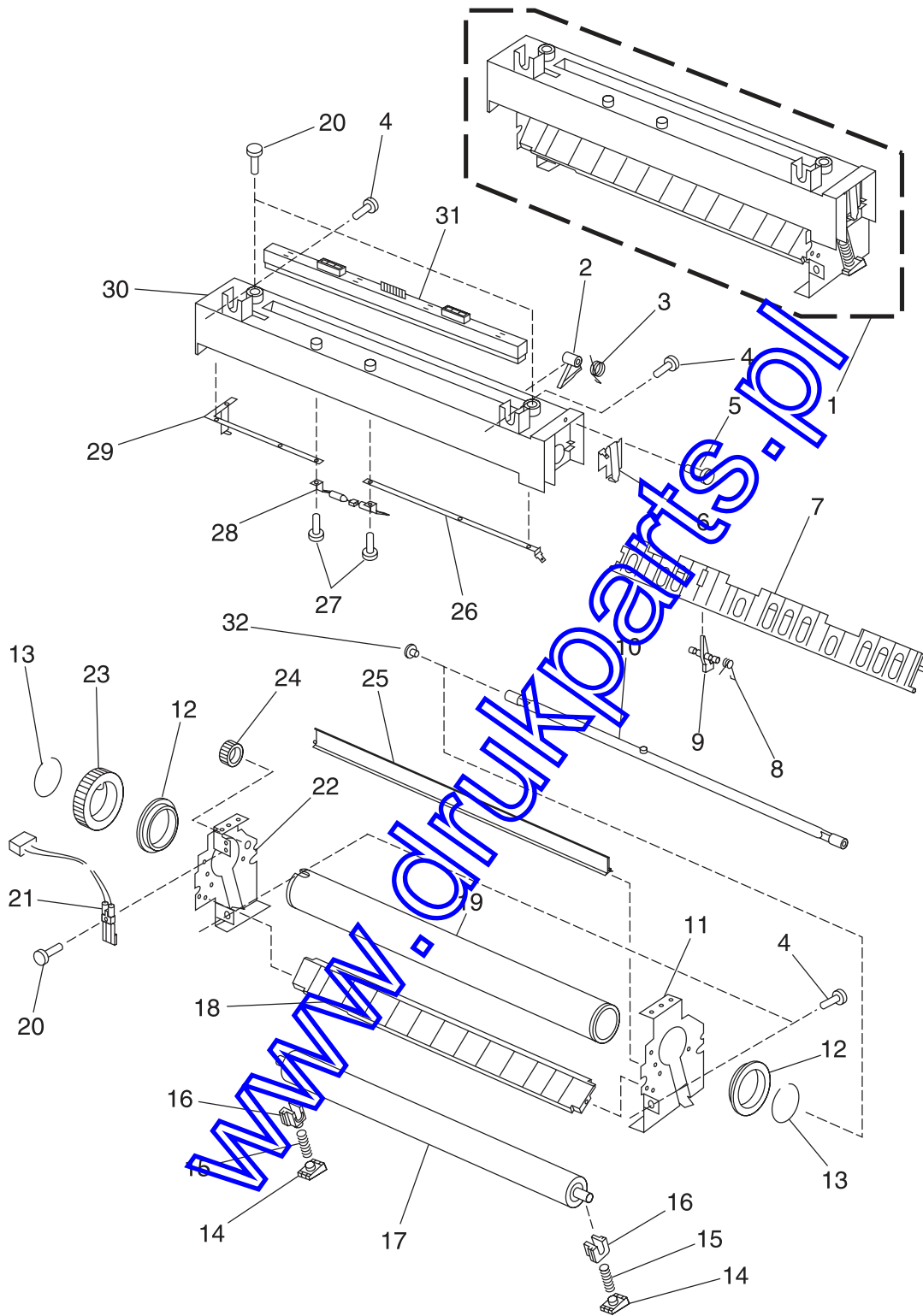


4045-XXX

Asm-Index	Part Number	Units	Description
9-1	12G0351	1	Fuser Asm, 115V M410
9-1	12G3554	1	Fuser Asm, 115V M412
9-1	12G0352	1	Fuser Asm, 220V M410
9-1	12G3555		Fuser Asm, 220V M412
9-2	12G0331	4	Finger, Detack
9-3	12G0344	4	Spring, Detack Finger
9-4		4	Screw, M4x12 PP 12G0445
9-5		3	Screw, M3x8SW PP 12G0445
9-6	12G0343	1	Contact, Fuser Lamp, Rear
9-7	12G0347	1	Guide, Fuser Paper Exit
9-8	12G0349	1	Spring, Exit Sensor Lever
9-9	12G0348	1	Lever, Paper Exit Sensor
9-10	12G0328	1	Lamp, 115V M410
9-10	12G0329	1	Lamp, 220V M410
9-10	12G3562	1	Lamp, 115V M412
9-10	12G3563	1	Lamp, 220V M412
9-11	12G0339	1	Frame, Right Fuser
9-12	12G0330	2	Bushing, Hot Roll
9-13	12G0334	2	Clip, Gear Retaining
9-14	12G0337	2	Stand, Bushing Spring
9-15	12G0336	2	Spring, Roller Bushing M410
9-15	12G3553	2	Spring, Roller Bushing M412

www.druckarts.com

Assembly 9: Fuser (continued)

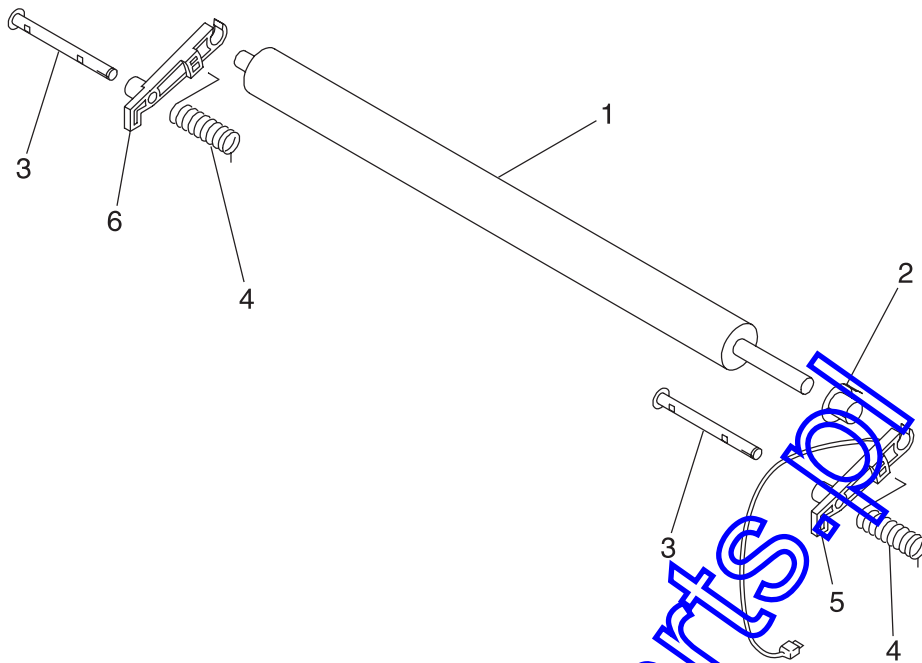


4045-XXX

Asm-Index	Part Number	Units	Description
9-16	12G0335	2	Bushing, Backup Roller
9-17	12G0327	1	Roller, Fuser Backup M410
9-17	12G3561	1	Roller, Fuser Backup M412
9-18	12G0350	1	Guide, Fuser Paper Entry
9-19	12G0326	1	Hot Roll, Fuser
9-20		3	Screw, M3x8 PP 12G0445
9-21	12G0353	1	Thermistor, Fuser
9-22	12G0338	1	Frame, Left Fuser
9-23	12G0332	1	Gear, Hot Roll
9-24	12G0346	1	Gear, Fuser Idle
9-25	12G0446	1	Guide, Upper Fuser Entry
9-26	12G0342	1	Contact, Fuser Lamp, Front
9-27		2	Screw, M3x5 PP 12G0445
9-28	12G0333	1	Fuse, Thermal
9-29	12G0341	1	Contact, Lamp to Fuse
9-30	12G0340	1	Cover, Fuser
9-31	12G0345	1	Wiper, Fuser
9-32	12G0453	1	Cover, Lamp

www.druckparts.pl

Assembly 10: Transfer



www.drukparts.pl

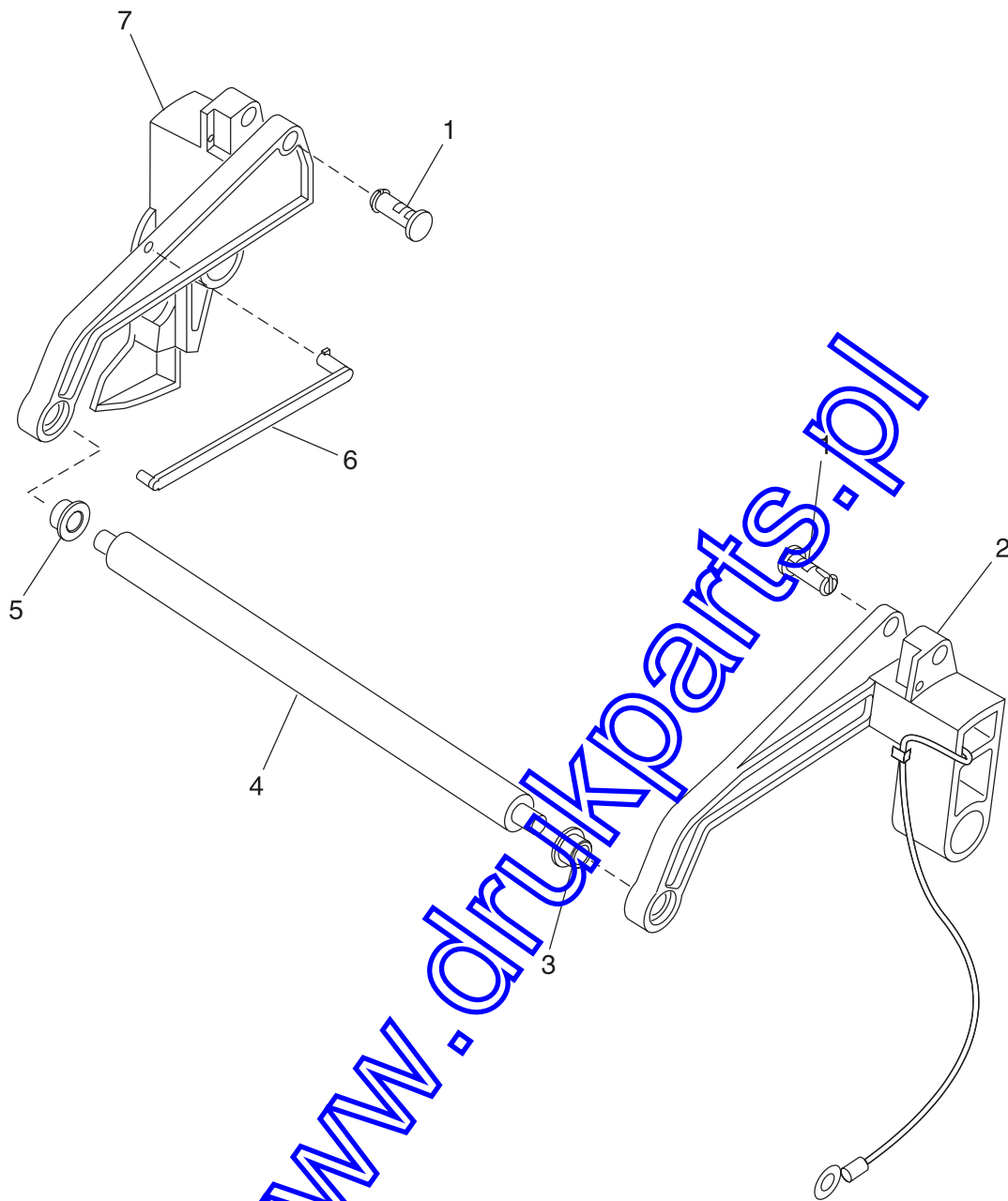
4045-XXX

Asm-Index	Part Number	Units	Description
10-1	12G0354	1	Roller, Transfer
10-2	12G0358	1	Bushing, Right Roller
10-3	12G0355	2	Pin, Transfer Roller
10-4	12G0359	2	Spring, Transfer Roller
10-5	12G0357	1	Arm, Right Transfer Roller
10-6	12G0356	1	Arm, Left Transfer Roller

www.drukparts.nl

4045-XXX

Assembly 11: Charging

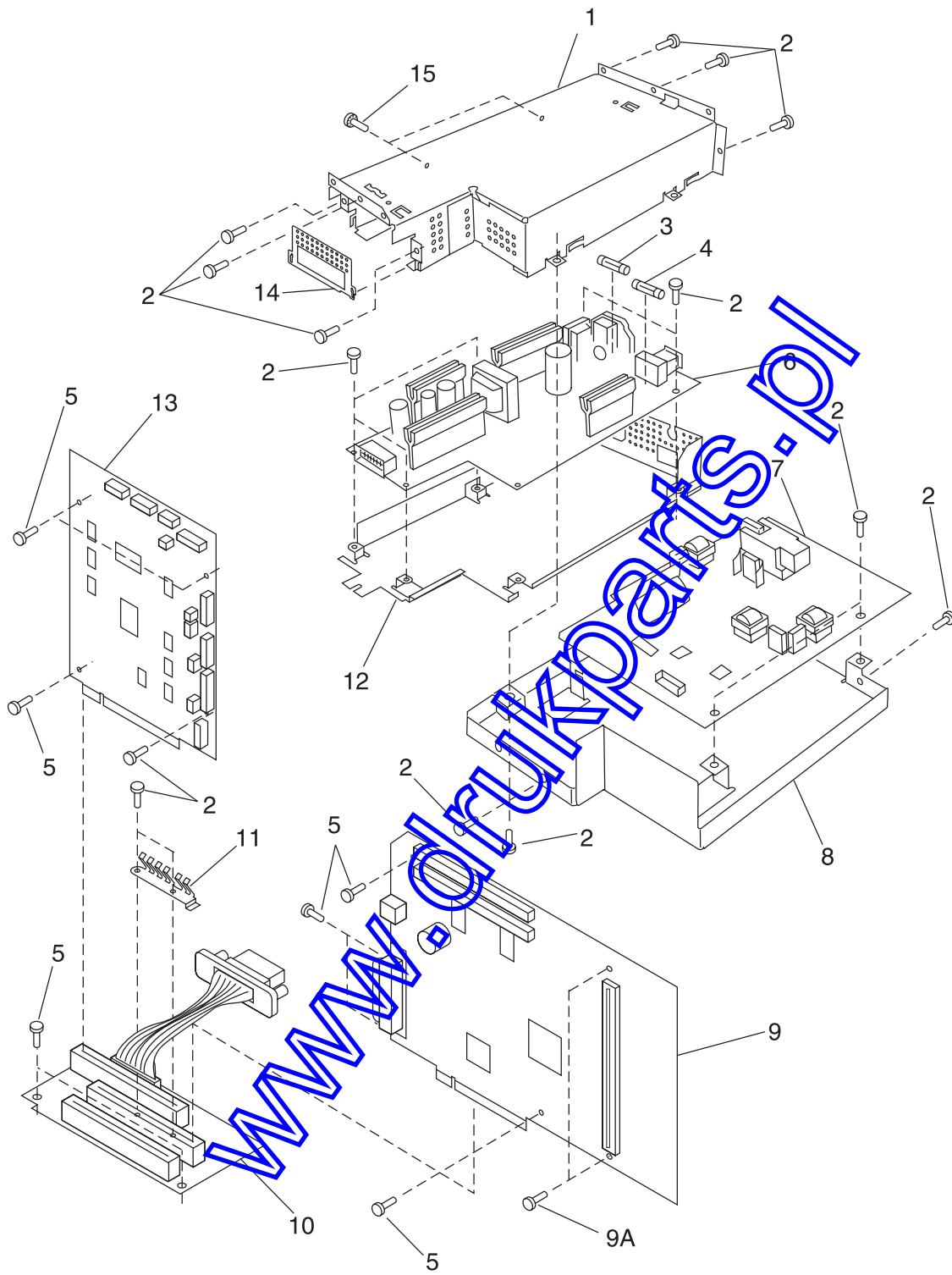


4045-XXX

Asm-Index	Part Number	Units	Description
11-1	12G0364	2	Pin, Charge Roller Arm
11-2	12G0362	1	Arm, Right Charge Roller
11-3	12G0358	1	Bushing, Right Roller
11-4	12G0360	1	Roller, Charge
11-5	12G0363	1	Bushing, Left Charge Roller
11-6	12G0365	1	Link, Developer Drive Engage
11-7	12G0361	1	Arm, Left Charge Roller

www.drukparts.nl

Assembly 12: Electronics

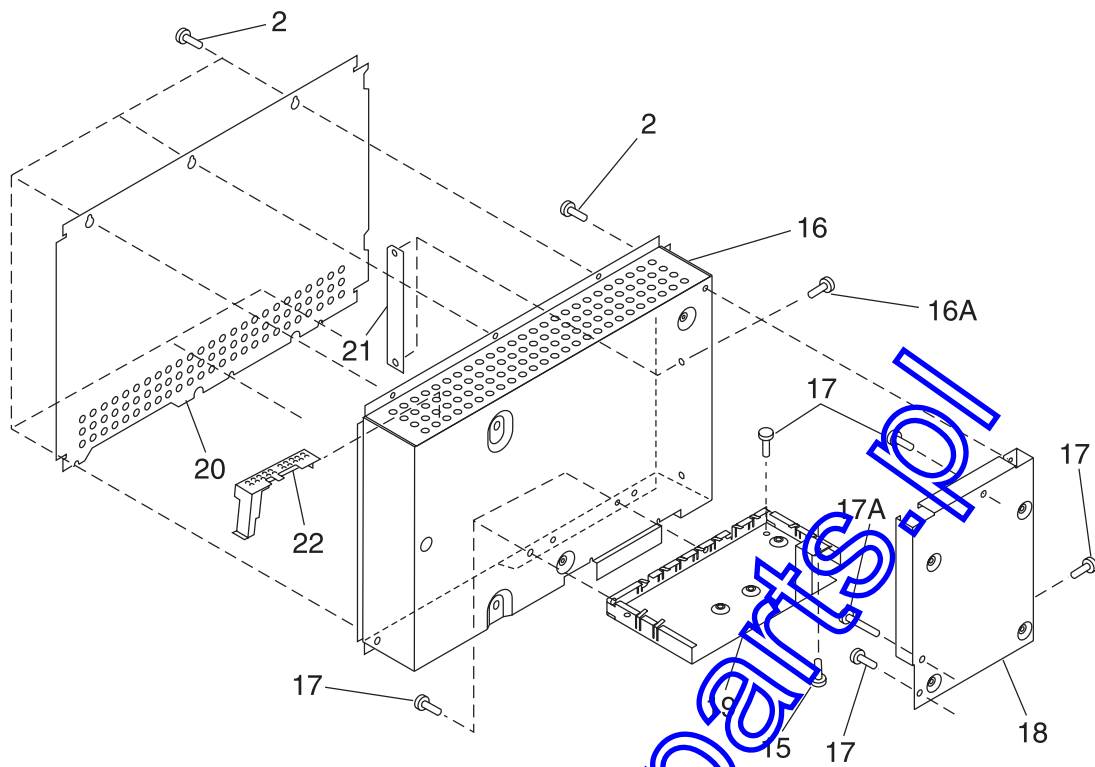


4045-XXX

Asm-Index	Part Number	Units	Description
12-1	12G0367	1	Frame, Upper LVPS
12-2		26	Screw, M3x6 PP 12G0445
12-3	12G0370	1	Fuse, 4A, 110V
12-3	12G0373	1	Fuse, 2A, 220V
12-4	12G0371	1	Fuse, 12A, 110V
12-4	12G0374	1	Fuse, 6.3A, 220V
12-5		12	Screw, M3x5 PP 12G0445
12-6	12G0369	1	Card Asm, LVPS 110V
12-6	12G0372	1	Card Asm, LVPS 220V
12-7	12G0376	1	Card Asm, HVPS
12-8	12G0366	1	Base Plate, HVPS
12-9	12G3567	1	Card Asm, Controller/RIP M410
12-9	12G3556	1	Card Asm, Controller/RIP M412
12-9A		2	Screw, M4x8 PP 12G0445
12-10	12G0379	1	Card Asm, Interconnect
12-11	12G0380	1	Contact, Ground
12-12	12G0375	1	Frame, Lower LVPS
12-13	12G0378	1	Card Asm, Engine M410
12-13	12G3557	1	Card Asm, Engine M412
12-14	12G0368	1	Cover, LVPS Connector
12-15		3	Screw w/Starwasher, M3x6 PP 12G0445

www.druckparts.com

Assembly 12: Electronics (continued)

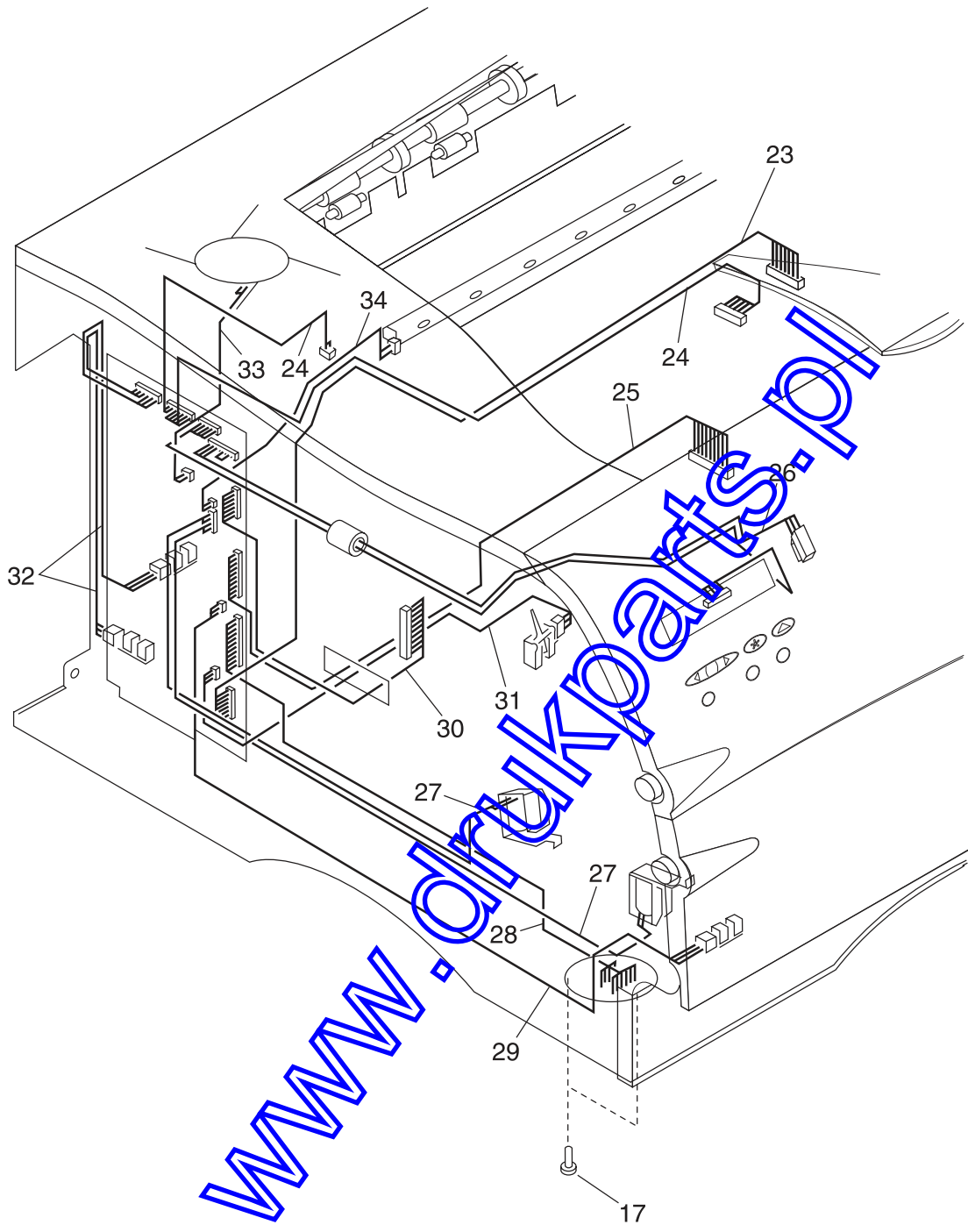


4045-XXX

Asm-Index	Part Number	Units	Description
12-16	12G0381	1	Shield, Controller Board
12-16A		2	Screw, M3x6T PP 12G0445
12-17		9	Screw, M4x8 PP 12G0445
12-17A		1	Screw, M3x25 PP 12G0445
12-18	12G0384	1	Shield, Engine Board
12-19	12G0383	1	Shield, Interface Board
12-20	12G0382	1	Cover, Controller Board Shield
12-21	12G0385	1	Cover, Blank Bus
12-22	12G0436	1	Cover, Internal Gear

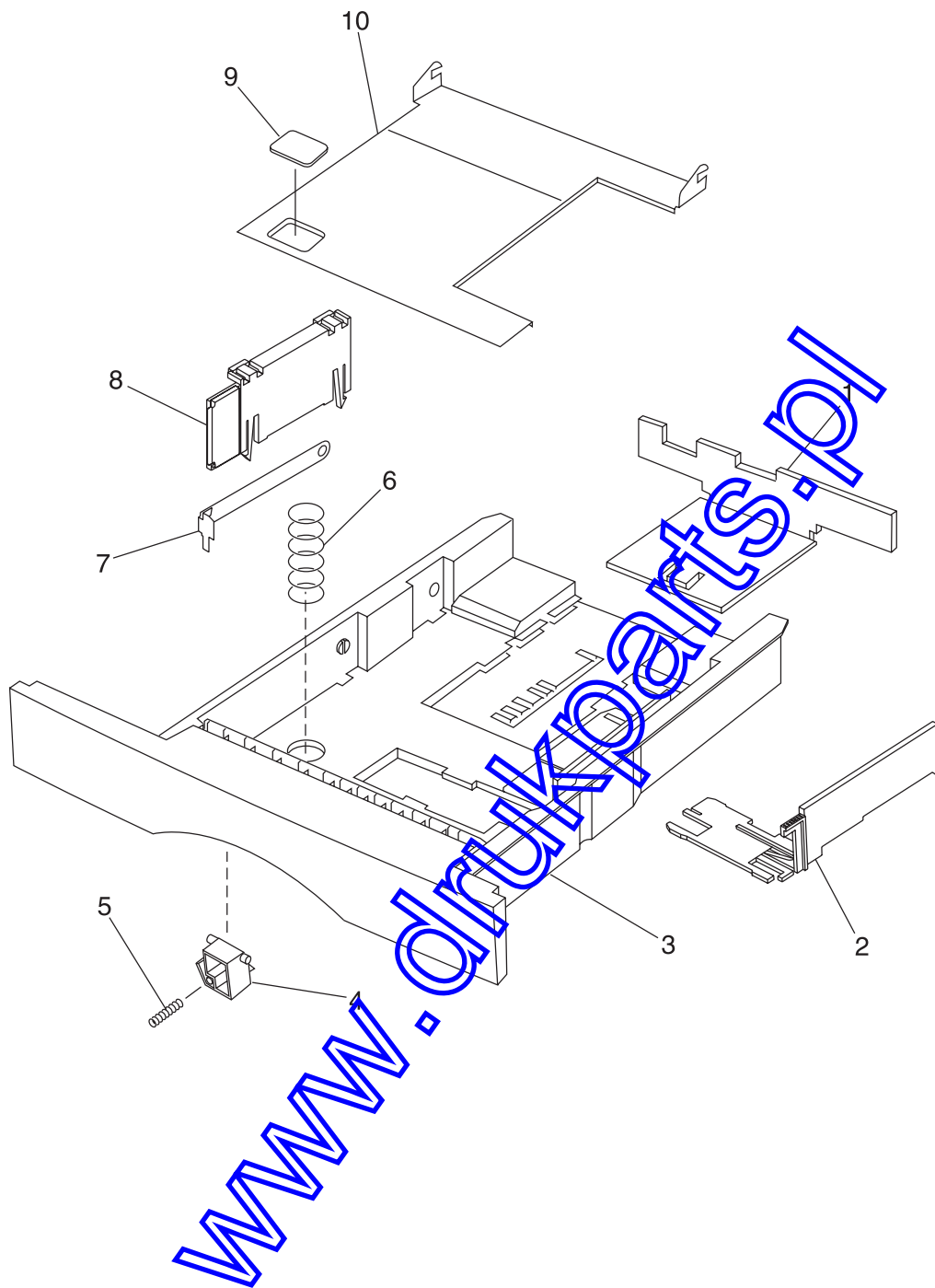
www.drukparts.nl

Assembly 12: Electronics (continued)



Asm-Index	Part Number	Units	Description
12-23	12G0422	1	Cable, Printhead
12-24	12G0413	1	Cable, Thermistor & Mirror Motor
12-25	12G0420	1	Cable, HVPS
12-26	12G1860	1	Cable Asm, Op Panel & Cover Open Switch
12-27	12G0411	1	Cable, Solenoid
12-28	12G0421	1	Cable, Tray 2 M410
12-28	12G3559	1	Cable, Tray 2 M412
12-29	12G0417	1	Cable, MPF Paper Present Sensor
12-30	12G0419	1	Cable, Main Motor
12-31	12G0418	1	Cable, Paper Input Sensor
12-32	12G0412	1	Cable, Rear Door & Exit Sensor
12-33	12G0284	1	Cable & Fan Asm, Cooling
12-34	12G0416	1	Cable, Erase LED
NS	1342530	1	Power Cord Set, Brazil (HV)
NS	1342534	1	Power Cord Set, 8 ft. - Chile (HV)
NS	1339535	1	Power Cord Set, 8 ft. - U.S., Canada (LV), Nicaragua, Venezuela, Peru (LV), Bolivia, Colombia, Costa Rica, Ecuador, El Salvador, Guatemala, Honduras, Mexico, Panama, Brazil (LV)
NS	1342536	1	Power Cord Set, 6 ft. - Argentina (HV), Paraguay (HV), Uruguay (HV), APG (LV)
NS	1339537	1	Power Cord Set, 8 ft. - U.K., Ireland, Finland, Bahrain, Qatar, Oman, Jordan, Iraq, Kuwait, Yeman, Egypt, Sudan, Saudi Arabia
NS	1339538	1	Europe, 6 ft.
NS	1339539	1	Power Cord Set, 6 ft. - Israel
NS	1339540	1	Power Cord Set, 6 ft. - Switzerland
NS	1339541	1	Power Cord Set, 6 ft. - South Africa
NS	1339542	1	Power Cord Set, 6 ft. - Italy
NS	1339543	1	Power Cord Set, 8 ft. - Denmark

Assembly 13: 250-Sheet Tray

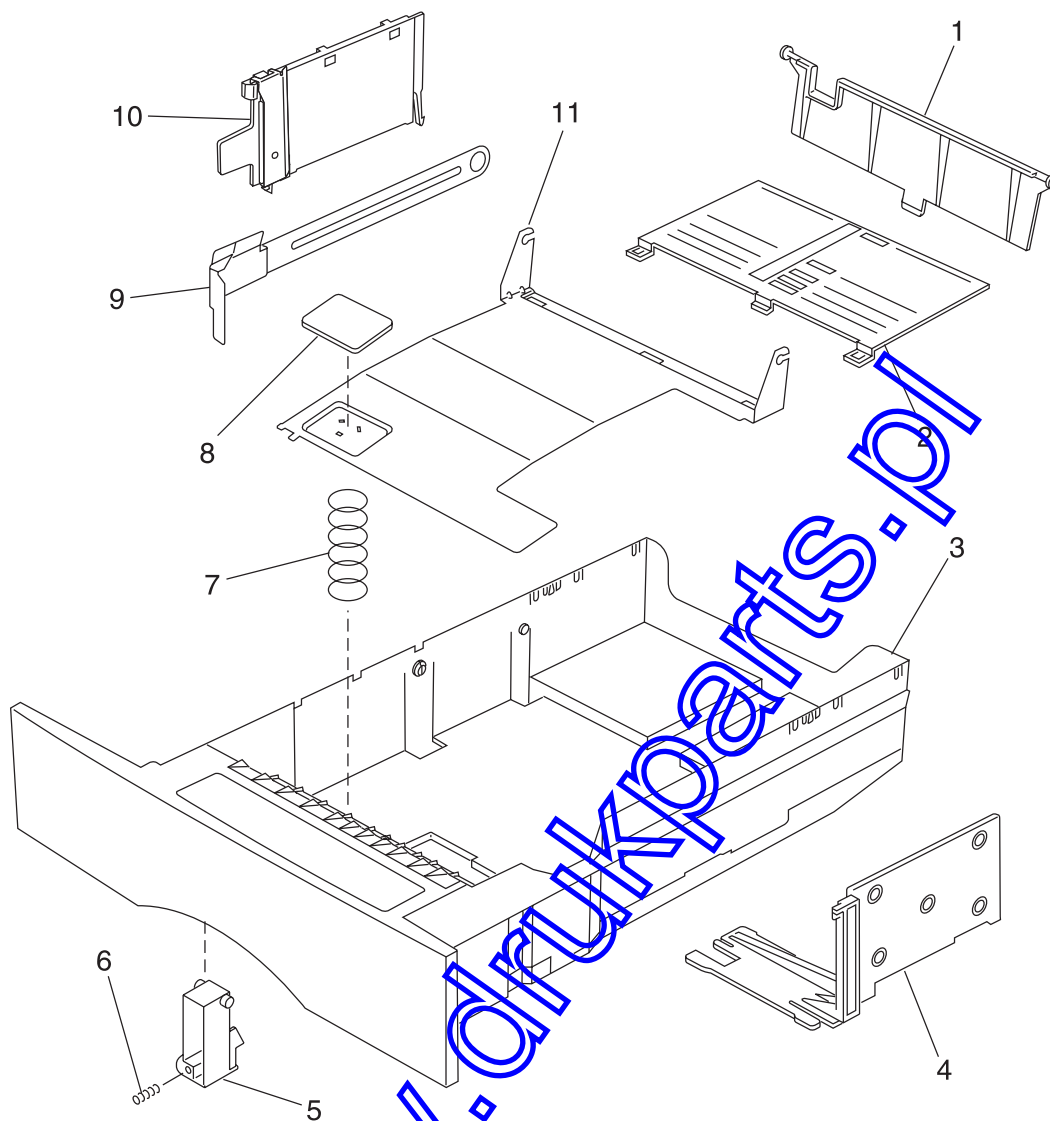


Asm-Index	Part Number	Units	Description
13-1	12G0315	1	Guide, Rear Paper
13-2	12G0313	1	Guide, Right Paper
13-3	12G0311	1	Base, 250-Sheet Paper Tray
13-4	12G0319	1	Holder, Lift Plate
13-5	12G0320	1	Spring, Lift Plate Holder
13-6	12G0318	1	Spring, Lift Plate
13-7	12G0314	1	Buckler, Corner
13-8	12G0316	1	Cover Asm, Corner Buckler
13-9	12G0317	1	Pad, Pick Roller Friction
13-10	12G0312	1	Plate, Lift

www.drukparts.nl

4045-XXX

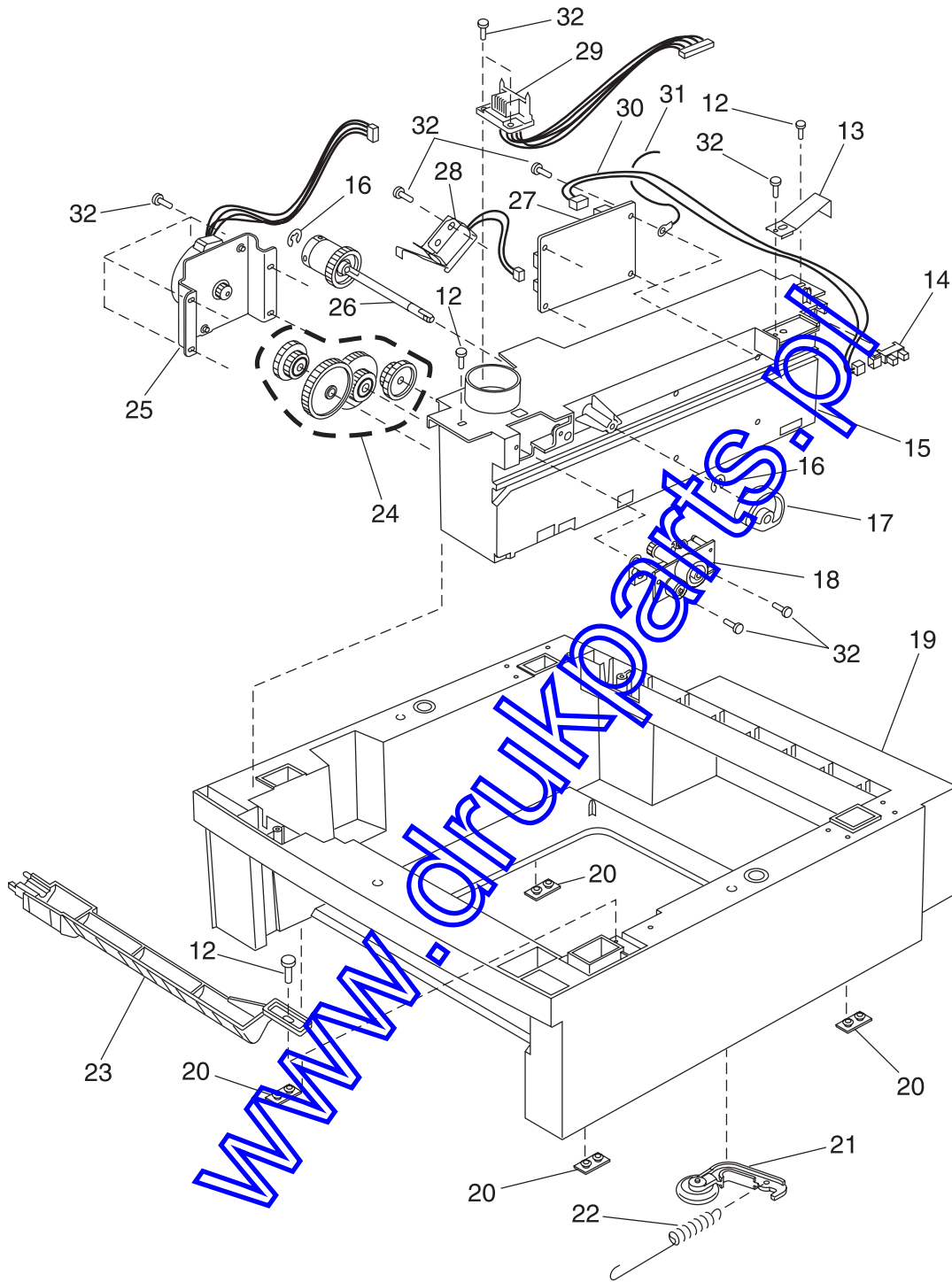
Assembly 14: 500-Sheet Tray



Asm-Index	Part Number	Units	Description
14-1	12G0391	1	Guide, Rear Paper
14-2	12G0392	1	Slider, Rear Paper Guide
14-3	12G0386	1	Base, 500-Sheet Paper Tray
14-4	12G0393	1	Guide, Right Paper
14-5	12G0390	1	Holder, Lift Plate
14-6	12G0396	1	Spring, Lift Plate Holder
14-7	12G0395	1	Spring, Lift Plate
14-8	12G0394	1	Pad, Pick Roller Friction
14-9	12G0387	1	Buckler, Corner
14-10	12G0388	1	Cover Asm, Corner Buckler
14-11	12G0389	1	Plate, Lift

www.drukparts.pl

Assembly 14: 500-Sheet Tray (continued)



4045-XXX

Asm-Index	Part Number	Units	Description
14-12		3	Screw, M4x10, PP 12G0445
14-13	12G0404	1	Lever, Tray 1 Inserted
14-14	12G0252	1	Sensor, Tray 1 Inserted
14-15	12G0398	1	Frame, 500-Sheet Drive
14-16		2	Clip, PP 12G0445
14-17	12G0399	1	Roller, 500-Sheet Pick
14-18	12G0403	1	Roller Asm, Alignment
14-19	12G0397	1	Base, 500-Sheet Feeder M410
14-19	12G3564	1	Base, 500-Sheet Feeder M412
14-20	12G0250	4	Foot, Rubber
14-21	12G0402	1	Lever Asm, Tray Bias
14-22	12G0405	1	Spring, Tray Bias
14-23	12G0406	1	Guide, Paper
14-24		1	Gears, Tray 2 Idler PP 12G0448
14-25	12G0409	1	Motor Asm, Tray 2 M410
14-25	12G3565	1	Motor Asm, Tray 2 M412
14-26	12G0400	1	Shaft Asm, 500-Sheet P. Roller
14-27	12G0408	1	Card Asm, Tray 2 M410
14-27	12G3558	1	Card Asm, Tray 2 M412
14-28	12G0444	1	Solenoid, Tray 2 Pick Roller
14-29	12G0407	1	Cable, Tray 2 Interconnect
14-30	12G0449	1	Cable, Tray 1 Sensor
14-31	12G0450	1	Cable, Tray 2 Ground
14-32		14	Screw, M3x10 PP 12G0445

www.druckparts.pl

Assembly 15: Options

Asm-Index	Part Number	Units	Description
15	99A1752	1	Memory, 4MB SDRAM DIMM
15	99A1753	1	Memory, 8MB SDRAM DIMM
15	99A1754	1	Memory, 16MB SDRAM DIMM
15	99A1755	1	Memory, 32MB SDRAM DIMM
15	99A1756	1	Memory, 64MB SDRAM DIMM
15	99A1757	1	Memory, 2MB Flash DIMM
15	99A1758	1	Memory, 4MB Flash DIMM
15	99A1759	1	Memory, 8MB Flash DIMM
15	99A1774	1	Memory, 16MB Flash DIMM
15	99A1683	1	Memory, 2MB Flash DIMM w/ Optra Forms
15	99A1684	1	Memory, 4MB Flash DIMM w/ Optra Forms
15	99A1685	1	Memory, 8MB Flash DIMM w/ Optra Forms
15	99A1686	1	Memory, 16MB Flash DIMM w/ Optra Forms
15	12G1695	1	Card Asm, INA, Ethernet 10/100BaseTX
15	12G1696	1	Card Asm, INA, 10Base2/T
15	12G1697	1	Card Asm, INA, Token Ring
15	99A0560	1	Card Asm, Tri-port
15	99A0516	1	Adapter, Hard Disk
15	99A0459	1	Disk Drive, 2.1+ GB
15	99A0799	1	Disk Drive, 2.1+ GB w/OptraForms
15	99A0923	1	Card Asm, Parallel/USB
15	16A0190	1	Card Asm, ENA Marknet Pro 1 10/100 Base TX
15	16A0187	1	Card Asm, ENA Marknet Pro 1 10Base 2/T
15	16A0185	1	Card Asm, ENA Marknet Pro 3 10/100 Base TX
15	16A0186	1	Card Asm, ENA Marknet Pro 3 Token Ring
15	99A0629	1	Adapter, Coax/Twinax for SCS