



LASERBEAM PRINTER

FS-850



PARTS CATALOGUE

09-11-1998

FS-850 Parts Catalogue

Table of Contents

Covers (Fig.1).....	3
Upper Unit (Fig.2).....	5
Lower Unit (Fig.3).....	7
Controller Unit (Fig.4).....	10
Drive Unit (Fig.5).....	12
Fuser Unit (Fig.6).....	14
Connection Cords (Fig.7).....	16
Lower Paper Feeder (Option) (Fig.8).....	18

Introduction

The figures which follow depict the major assemblies of the printer or option, broken down into components. Following each figure are the lists giving the following information:

'Ref No.' Reference number which corresponds to the parts in the figure
'Part code'..... Part code which identifies the part
'Part description' A brief description of the part
'Quantity'..... Quantity of the part used in the printer or option

Only the parts highlighted in BOLD should be ordered. All other parts are for reference only and are not stocked.

Consumables and Maintenance Kits

TK-6	Toner Kit
DK-5	Drum (12K pages)
DV-10	Developer (20K pages)
FK-9	Fuser (100K pages)

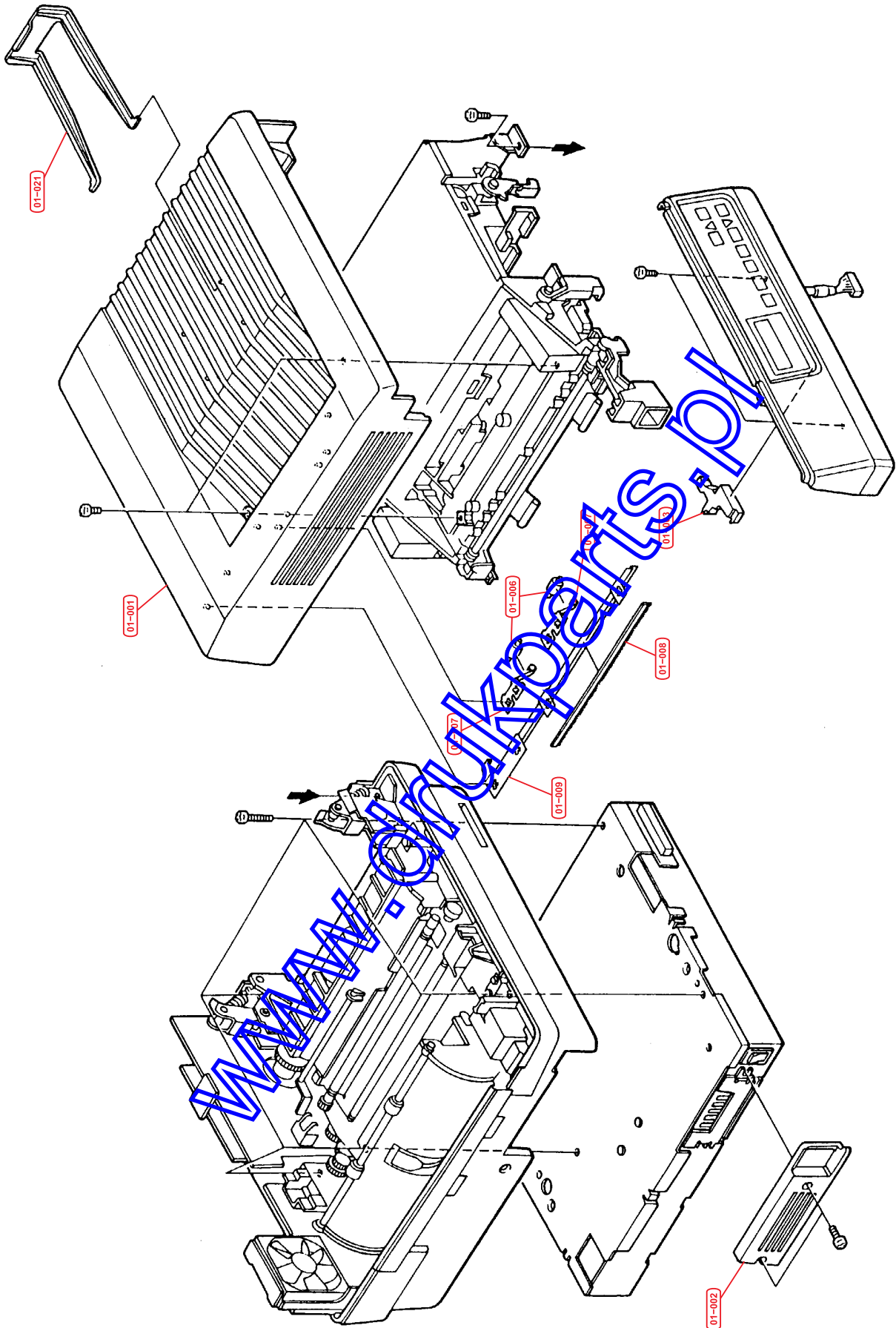
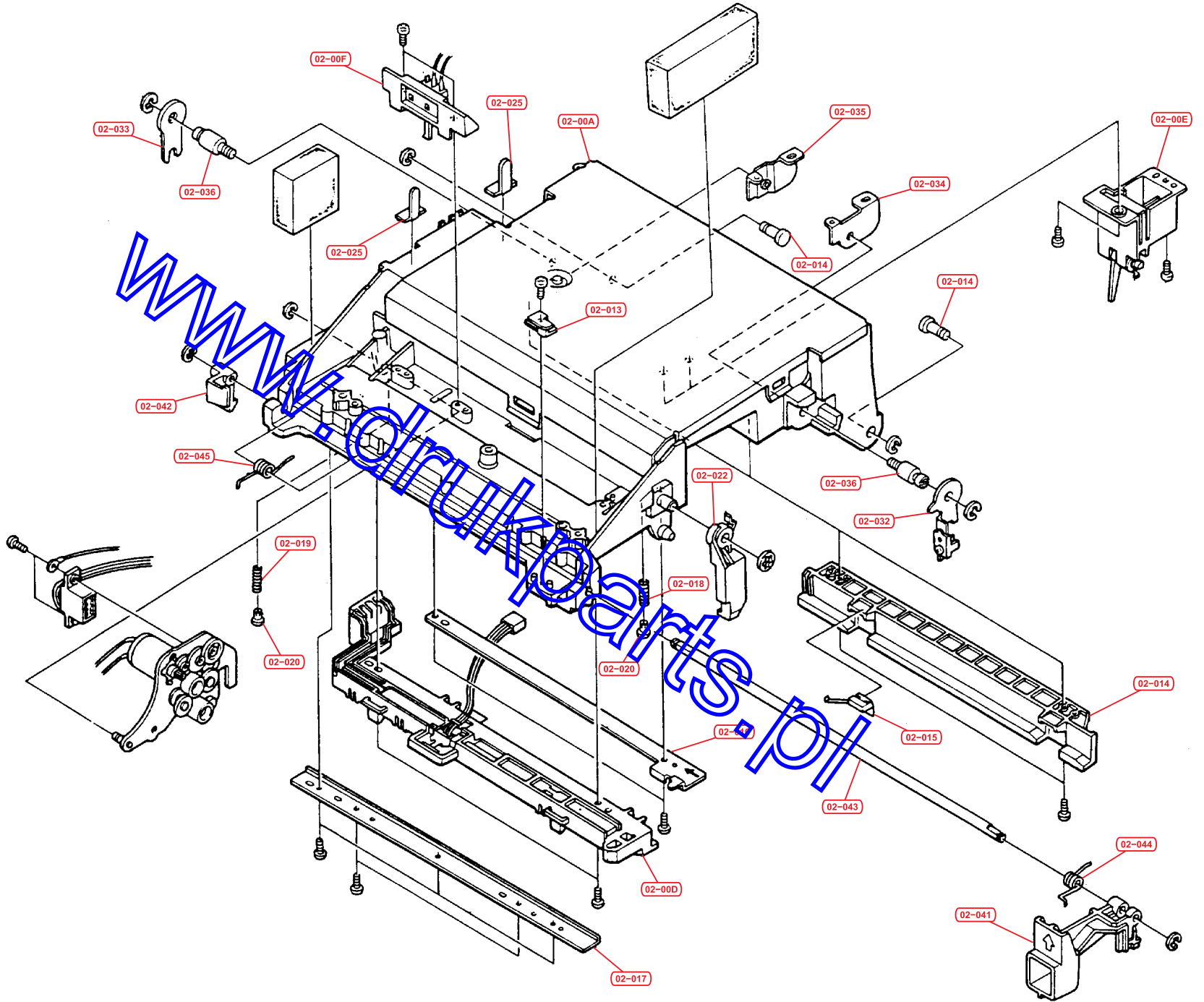


Fig.1 - Covers

Ref No.	Part Code	Description	Quantity
01-001	5AAYF820**58	COVER TOP SUB	1
01-002	5MVB753SH002	COVER SIDE	1
01-003	5AAVCLEAN028	CLEANING STICK	1
01-005	5AAFZFS850*1	KEYBOARD ASSY FS-850	1
01-005	5AAFZFS850A1	KEYBOARD ASSY FS-850A	1
01-006	5MVM374DB001	FD PULLEY	2
01-007	5MML443LD001	ROLLER SUPPORT SP	2
01-008	5MVS827AQ001	ELEC OUT BRUSH	1
01-009	5MML833RJ001	ELEC PLATE 2	1
01-021	5MMW904LJ002	PAPER STOPPER	1

www.drukparts.pl

Fig.2 - Upper Unit



Ref No.	Part Code	Description	Quantity
02-00A	5AAYFS850*23	SCANNER UNIT 240V	1
02-00A	5AAYFS850A08	SCANNER UNIT 120V	1
02-00B	5AAYFS850*11	DEVE DRIVE ASSY	1
02-00D	5AAYFS850*22	ERASER ASSY	1
02-00E	5AYF820**18	PAPER SENSOR ASSY	1
02-00F	5AAYF820**19	BKT SWITCH ASSY	1
02-013	5MMZ321SL003	EJECT STOPPER	1
02-014	5MVX833SG001-01	DEVE GUIDE A	1
02-015	5MMX522LD003	GUIDE SPRING	1
02-016	5MMX831SL001	DEVE GUIDE B	1
02-017	5MVL821SB002	DRUM RAIL	1
02-018	5MMW361LJ019	DRUM SPRING F	1
02-019	5MMW361LJ020	DRUM SPRING R	1
02-020	5MVF166SB002	SPRING FOOT	2
02-022	5MVX622DG001	SAFETY LEVER	1
02-025	5MMX332SM001	CORD KEEP	2
02-032	5MML363SL002	B-S ANGLE (FU)	1
02-033	5MMS531SL003	B-S ANGLE (RU)	1
02-034	5MML532SL002	SCN ANGLE (F)	1
02-035	5MML532SL003	SCN ANGLE (R)	1
02-036	5MMT476LD003	SCN SHAFT	2
02-041	5MVX664SD001	LEVER EJECT F	1
02-042	5MVX321SJ001	EJECT LEVER R	1
02-043	5MMT865SD001	EJECT STAY	1
02-044	5MMW262LJ004	EJECT SPRING	1
02-045	5MMW267LJ001	EJECT SPRING	1

www.diparts.pl

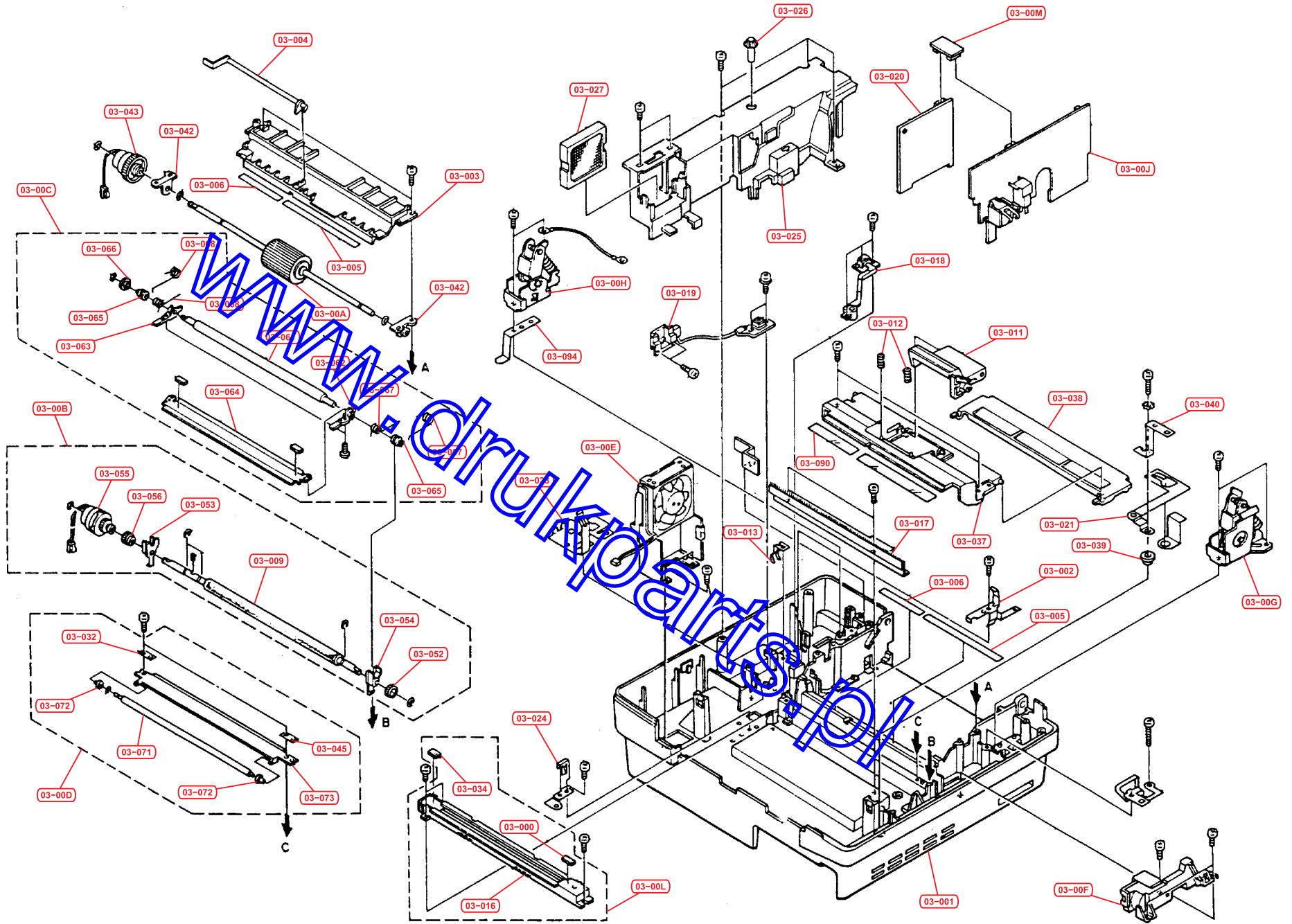


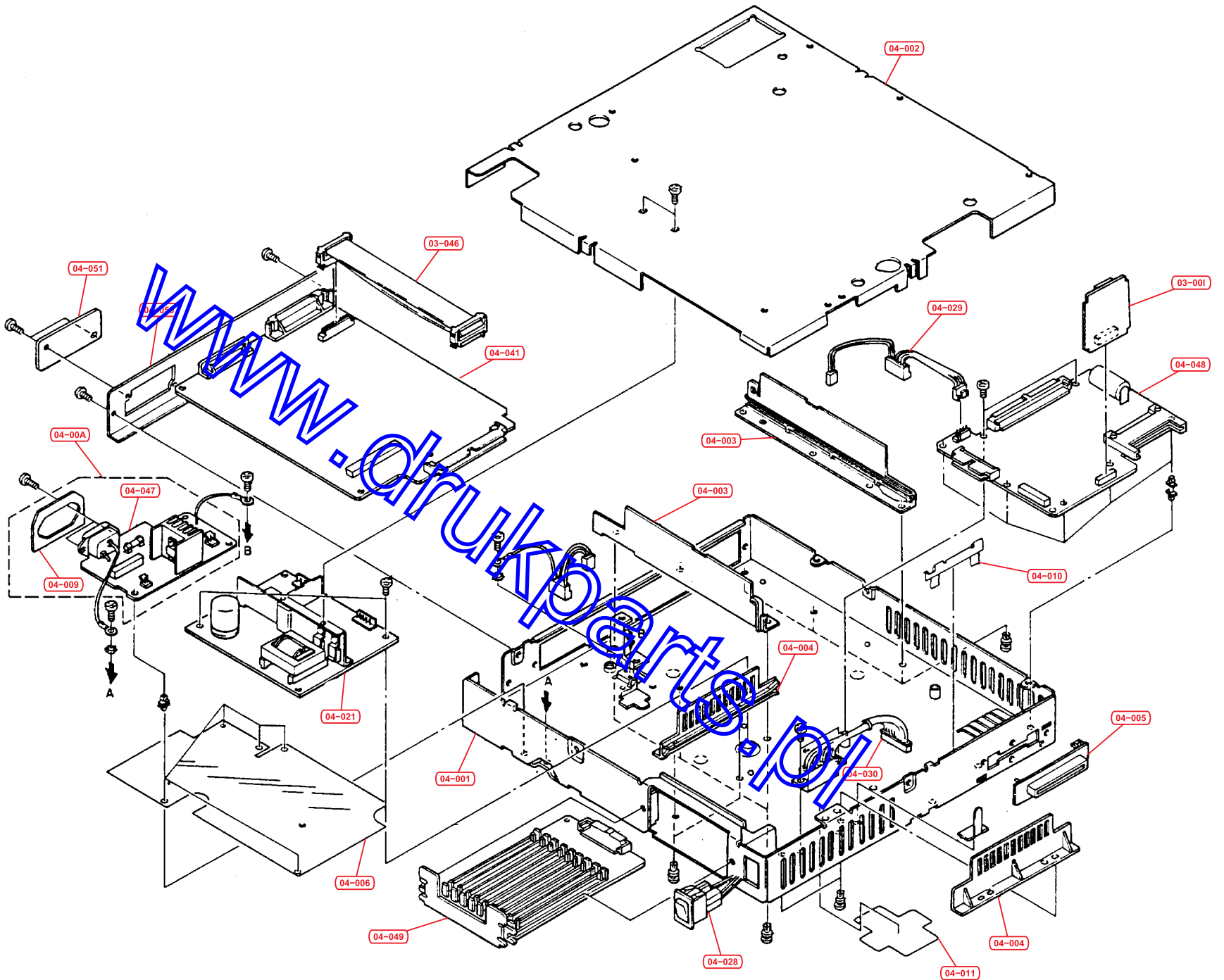
Fig.3 - Lower Unit

Ref No.	Part Code	Description	Quantity
03-00A	5AAYF800**93	FEED ASSY (SHAFT+TYRE)	1
03-00B	5AAYF800**94	REGIST ASSY	1
03-00C	5AAYF800**D6	PAPER CHUTE T ASSY	1
03-00D	5AAYF820**56	PAPER CHUTE B ASSY	1
03-00E	5AAYF820**41	FAN ASSY	1
03-00F	5AAYFS850*25	COUNTER GEAR ASSY	1
03-00G	5AAYF800**37	B-S BKT ASSY (F)	1
03-00H	5AAYF800**38	B-S BKT ASSY (R)	1
03-00J	5AAPRCZG2010AH	Engine PWB ASSY	1
03-00L	5AAYF820**63	SVC TC ASSY	1
03-00M	5AAPRZG2005AH	Connect PWB ASSY	1
03-001	5AAVBASE*010	BASE ASSY	1
03-002	5MMX552RD002	PLATE CLUTCH EARTH	1
03-003	5MVX864SH003-01	GUIDE ENTRANCE	1
03-004	5MVX744SB001	ACTUATOR FEED	1
03-005	5MVS613KJ001	GUIDE FILM A	2
03-006	5MVS713KJ001	GUIDE FILM B	2
03-007	5MMW167W005	SPRING REGIST F	1
03-008	5MMW167LJ006	SPRING REGIST R	1
03-009	5AAYF820**65	REGIST. ROLLER B SUB*	1
03-011	5AAVSEPR006	SEPARATOR ASSY	1
03-012	5MMW365W001	PAPER SEPARATOR SP	2
03-013	5MM1222RD002	EARTH CONTACT	1
03-016	5AAYF820**62	TC ASSY	1
03-017	5AAVPLATE020	DISCHARGER ASSY	1
03-018	5MVX773XH001	TC RECEPTACLE	1
03-019	5MVX853XH001	MCH CONNECT	1
03-020	5AAYL580**34	TRANS ASSY	1
03-021	5MMS663RD001	FRONT EARTH PLATE	1
03-023	5MML665RD001	PLATE DRUM EARTH	1
03-024	5MML422RN001	DRIVE EARTH	1
03-025	5MVB877SB001	INNER COVER	1
03-026	5MVN331SX001	DENS CONT KNOB	1
03-027	5MVX664SB013	OZONE FILTER	1
03-029	5MML632RD001	B-S EARTH 1	1
03-032	5MVS321KJ004	P SIDE SEAL R	1
03-034	5MVS617RJ001	P SPONGE L	2
03-037	5MVB874SH007	BASE SEPARATOR	1
03-038	5MVB861SH001	BOTTOM PAN	1
03-039	5MMM122SD001	SPACER BC	1
03-040	5MMZ253RD001	EARTH KEY	1
03-042	5MVX422DX001	FEED BEARING	2
03-043	5AAYF800**E0	FEED CLUTCH ASSY (W/FILM)	1
03-044	5MVQ553RB001	SPONGE FRONT	1
03-045	5MVS321KJ004	P SIDE SEAL	1

Ref No.	Part Code	Description	Quantity
03-052	5MVG137DB009	COUNT GEAR Z28	1
03-053	5MVX421DX002	REGIST. BEARING R	1
03-054	5MVX421DX001	REGIST. BEARING F	1
03-055	5AAYF800**D9	REGIST. CLUTCH ASSY (W/FILM)	1
03-056	5MVG127DB014	REGIST. GEAR	1
03-061	5MMT876SN023	REGIST. ROLLER	1
03-062	5MVX511DB001	REGIST. ARM F	1
03-063	5MVX511DB002	REGIST. ARM R	1
03-064	5MML831LD002	PAPER CHUTE T	1
03-065	5MVX211DX001	REGIST. BEARING	2
03-066	5MVG127DB013	REGIST. GEAR T	1
03-067	5MMW176LJ004	ARM SPRING F	1
03-068	5MMW176W005	ARM SPRING R	1
03-071	5MMT863LD001	PAPER ROLLER	1
03-072	5MMF154CJ001	ROLLER BUSHING	2
03-073	5MMC183LD001	REGIST. P. CHUTE B	1
03-090	5MVS632KJ001	BASE SEPA. FILM A	2
03-091	5MVS732KJ001	BASE SEPA. FILM B	2
03-094	5MML264RD001	B-S EARTH J	1

www.drukparts.nl

Fig.4 - Controller Unit



Ref No.	Part Code	Description	Quantity
03-001	5AAPRZZG2007AH	Keyboard Conn PWB ASSY	1
03-046	5AACCNHK7GEA	CONN CORD S00467	1
04-00A	5AAYFS850*26	INLET ASSY 240V	1
04-00A	5AAYFS850A09	INLET ASSY 120V	1
04-001	5AVCHASS016	CONTROLLER BOX ASSY	1
04-002	5MMN882SL004	COVER CONT BOX	1
04-003	5MVL722SL002	GUIDE MAIN PWB	2
04-004	5MVL722SL001	GUIDE RAM PWB	2
04-005	5MVK361SH001	GUIDE J CARD	1
04-006	5MVS875VN002	INSULATOR PWB	1
04-008	5MMS646SL004	PLATE CONNECT	8
04-009	5MVS645VH001	SHEET INLET	1
04-010	5MMX431RD005	SPRING PWB	1
04-011	5MVS663VB003	COVER CONNECTOR	1
04-021	5AAEZF820**1	SWITCHING REGULATOR 240V	1
04-021	5AAEZF820A*1	SWITCHING REGULATOR 120V	1
04-026	5ESC020106***02	SEE-SAW SW UI VDE S	1
04-027	5AACCNHE7GEA	CONN CORD S00455	1
04-028	5AACCNHK8GEA	CONN CORD ASSY	1
04-029	5AACCNHE6GEA	CONN CORD ASSY	1
04-030	5AACCNHD6GEA	CONN CORD ASSY	1
04-041	5AAPRLGG4011AH	PWB ASSY KP-166 240V	1
04-041	5AAPRLGG4011BH	PWB ASSY KP-166 120V	1
04-047	5AAPRZC1027AH	INLET PWB ASSY 240V	1
04-047	5AAPRZC1028BH	INLET PWB ASSY 120V	1
04-048	5AAPRIFG2007AH	Interface PWB ASSY	1
04-049	5AAPRMEG4015BH	PWB ASSY OPT RAM	1
04-050	5MML851SL001	PANEL REAR	1
04-051	5MMS646SL004	PANEL REAR	1

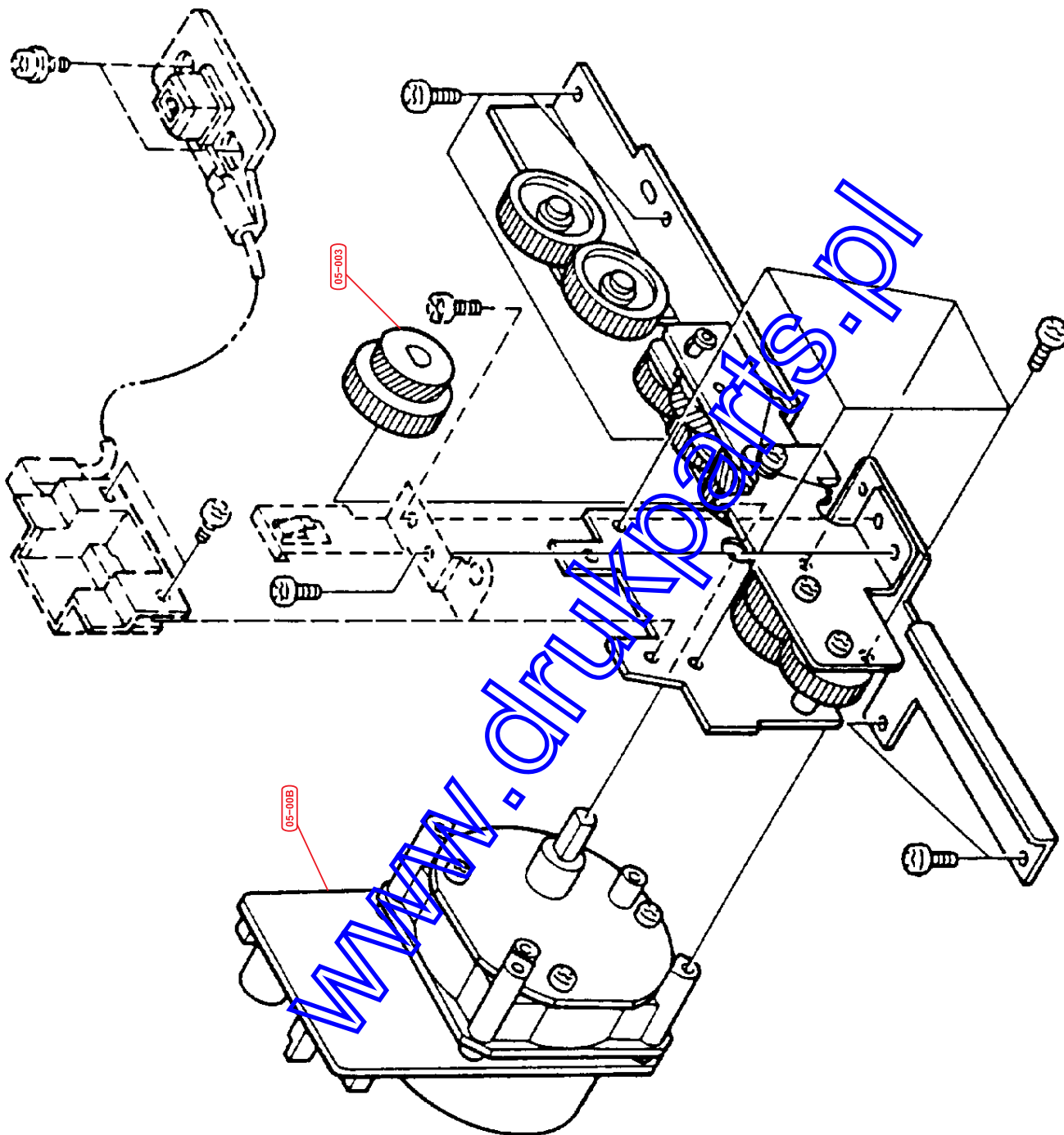
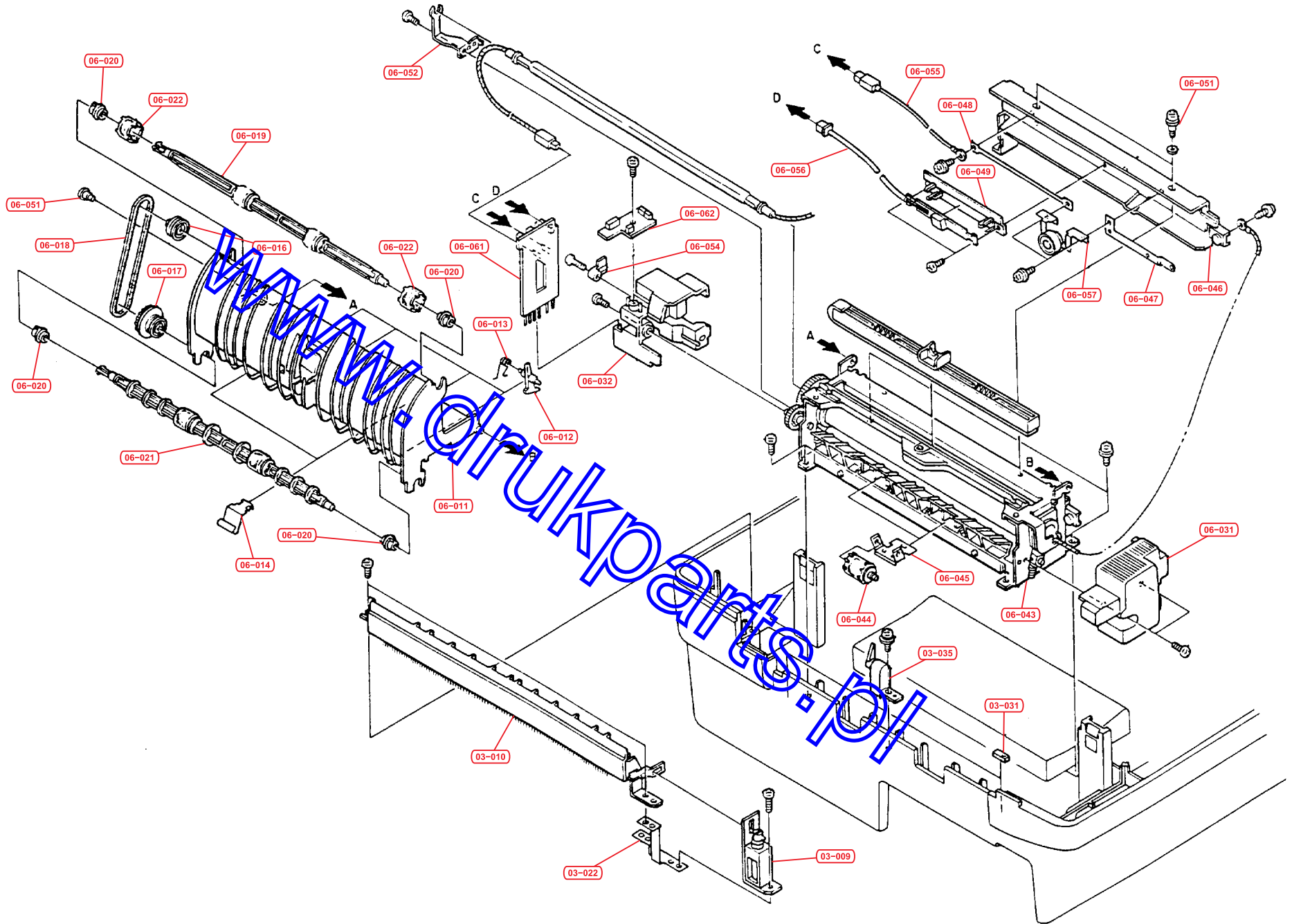


Fig.5 - Drive Unit

Ref No.	Part Code	Description	Quantity
05-00A	5AAYF820**64	DRIVE GEAR SUB	1
05-00B	5AAYF820**66	MAIN MOTOR SUB	1
05-003	5MMG038SV001	MOTOR GEAR Z30 H24	1

www.drukparts.pl

Fig.6 - Fuser Unit



Ref No.	Part Code	Description	Quantity
03-000	5AAYF820**01	FACE DOWN ASSY	1
03-009	5AAYF820**24	SOLENOID ASSY	1
03-010	5AAYF820**23	GATE EXIT ASSY	1
03-022	5MMZ153RD001	EARTH U-D	1
03-031	5MVQ211RB019	RUBBER CORD	2
03-035	5AAXSW027GEA	SWITCH JAM	1
06-011	5AAYF820**60	FUSER COVER SUB	1
06-012	5MVX332XN002	SEPARATOR	4
06-013	5MMW163W003	SEPARATOR SPRING	4
06-014	5MMP232LD001	CLEANER SPRING	2
06-016	5MVG307DB001	EXIT ROLL PULLEY	1
06-017	5MVG038DB001	EXIT ROLL GEAR Z23	1
06-018	5MVS668RB003	EXIT BELT	1
06-019	5MVT877CB001	EXIT ROLLER	1
06-020	5MVM176DB003	EXIT ROLL BUSHING	4
06-021	5AAVROLER018	ROLLER EXIT ASSY	1
06-022	5MVM272RB002	EXIT TYRE B	2
06-031	5MVB665XB001	COVER FUSER F	1
06-032	5MVB666XB001	FUSER COVER R	1
06-043	5MVX843XB001	GUIDE EXIT PAPER	1
06-044	5AAYF820**52	PULLEY EXIT ASSY	2
06-045	5MMM332LD001	BKT EXIT PULLEY	2
06-046	5MVX842CB002	INLET UPPER GUIDE	1
06-047	5MMS623RD001	CORD PLATE F	1
06-048	5MMS713RD001	CORD PLATE R	1
06-049	5MVX622XB001	THERMISTOR SUPPORT	1
06-051	5MBSP%4007NZ	STUD SCREW(+)	7
06-052	5MMP333LD001	HEATER SUPPORT	1
06-054	5MVX221XB001	CORD STOPPER	1
06-055	5AACCNFROGEA	CON N CORD ASSY	1
06-056	5AAXTM001GEA	THERMISTOR ASSY	1
06-057	5EYFFQ21001**01	THERMOSTAT 210 C	1
06-058	5EZPB2412520101	HEATER LAMP 240V	1
06-058	5EZPB1115820101	HEATER LAMP 120V	1
06-061	5AAPRHCC1004AH	Fuser PWB ASSY	1
06-062	5AAPRZC1020AH	Connect PWB ASSY	1
06-063	5AAVCCLEAN036	CLEANING PAD	

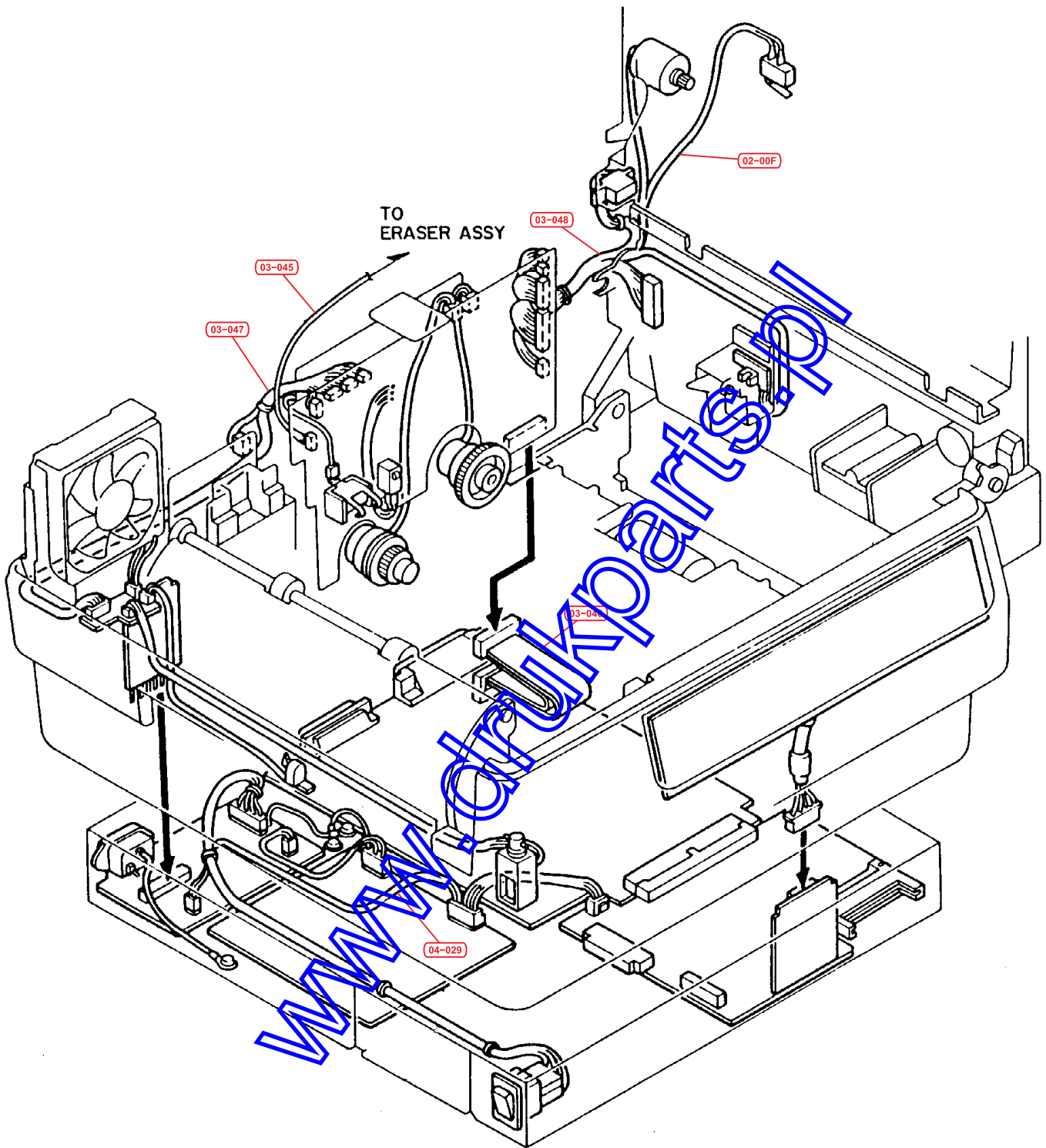
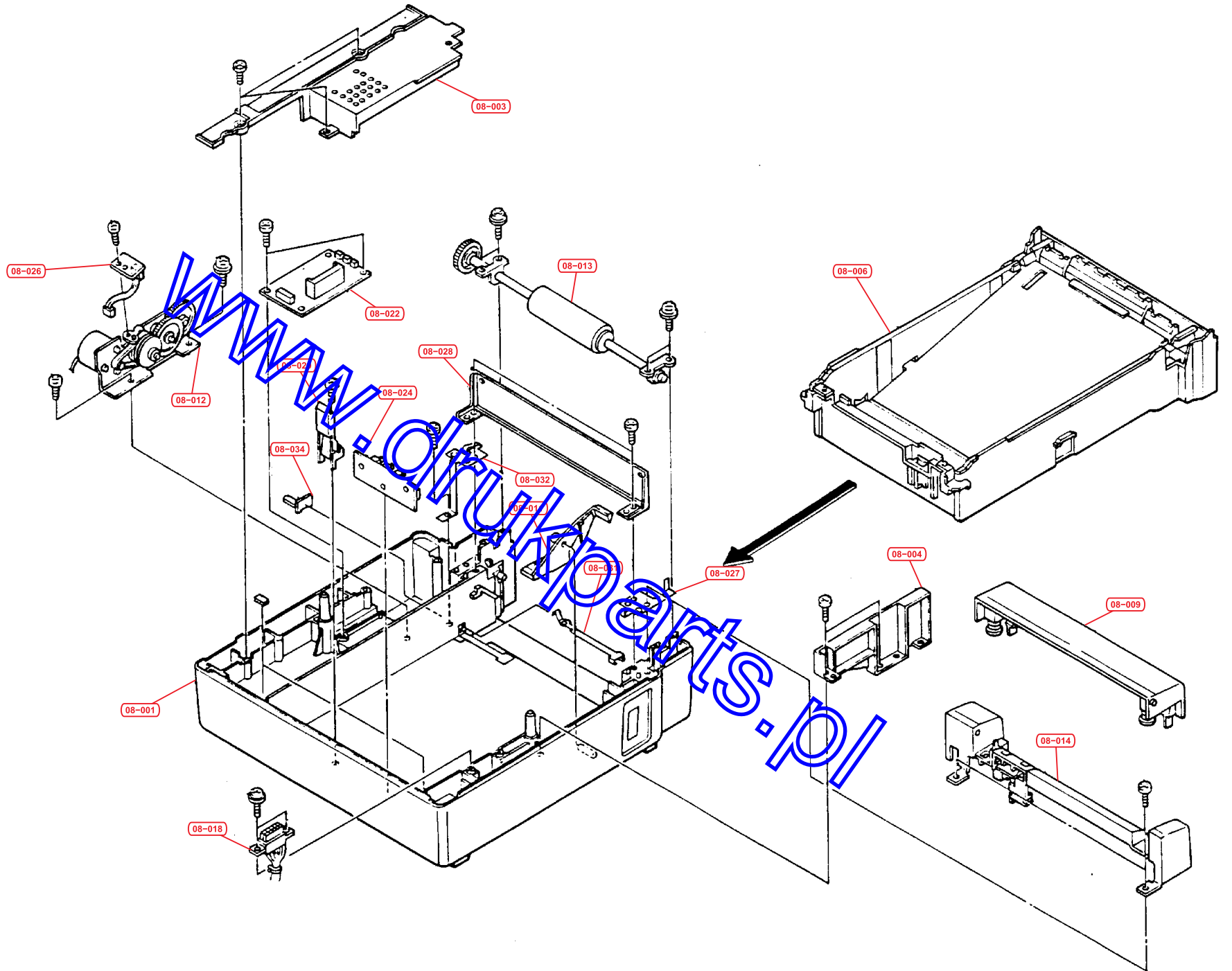


Fig.7 - Connection Cords

Ref No.	Part Code	Description	Quantity
03-045	5AACCNHZ8GEA	CONN CORD S00482	1
03-047	5AACCNHF5GEA	CONN CORD S00459	1
03-048	5AACCNHF6GEA	CONN CORD S00460	1
04-027	5AACCNHE7GEA	CONN CORD ASSY	1
04-029	5AACCNHE6GEA	CONN CORD ASSY	1
08-018	5AACCNHK9GEA	CONN CORD ASSY	1

www.drukparts.pl

Fig.8 - Lower Paper Feeder (Option)



Ref No.	Part Code	Description	Quantity
08-001	5AAYF820**54	LOWER FEEDER (PF-3)	1
08-003	5MVS838SH001	COVER REAR	1
08-004	5MVX764DD001	COVER EMPTY	1
08-006	5AAVCASET164	PAPER CASSETTE A4	1
08-006	5MVCASET165	PAPER CASSETTE LETTER/LEGAL	1
08-008	5MVQ211RB019	RUBBER CORD	2
08-009	5AAVCOVER167	COVER GUIDE ASSY	1
08-011	5AAYF820**30	LEVER EMPTY ASSY	1
08-012	5AAYF820**32	PLATE GEAR B ASSY	1
08-013	5AAYF820**31	LOWER FEED ASSY	1
08-014	5AAYF820**34	COVER FEEDER ASSY	1
08-018	5AACCNHK9GEA	CONN. CORD ASSY	1
08-022	5AAPRZC1024AH	PWB ASSY KP-189	1
08-024	5AAPRSWC1002AH	PWB ASSY KP-140	1
08-026	5AAPRZZC1025AH	PWB ASSY KP-198	1
08-027	5MML163LD001	ROLLER EARTH F	1
08-028	5MML683SD001	STAY RIGHT	1
08-029	5MVBRCKT051	STAY LEFT ASSY	1
08-031	5MMU771LD001	CASSETTE EARTH F	1
08-032	5MMZ663LD001	FEEDER EARTH F	1
08-034	5MMX321SM001	CORD KEEP	1

www.drukparts.nl