



PAGE PRINTER

**FS-800**



# PARTS CATALOGUE

08-12-1998

# FS-800 Parts Catalogue

## Table of Contents

Enclosure (Fig.1) .....	3
Frame (Fig.2).....	5
Drive Assy (Fig.3) .....	8
Controller (Fig.4).....	10
Fuser (Fig.6).....	12
Processor Unit (Fig.8) .....	14
Scanner Unit (Fig.9).....	16
Developer Unit (Fig.10).....	18

## Introduction

The figures which follow depict the major assemblies of the printer or option, broken down into components. Following each figure are the lists giving the following information:

'Ref No.' ..... Reference number which corresponds to the parts in the figure  
'Part code'..... Part code which identifies the part  
'Part description' ..... A brief description of the part  
'Quantity'..... Quantity of the part used in the printer or option

Only the parts highlighted in BOLD should be ordered. All other parts are for reference only and are not stocked.

## Consumables and Maintenance Kits

TK-16                      Toner Kit

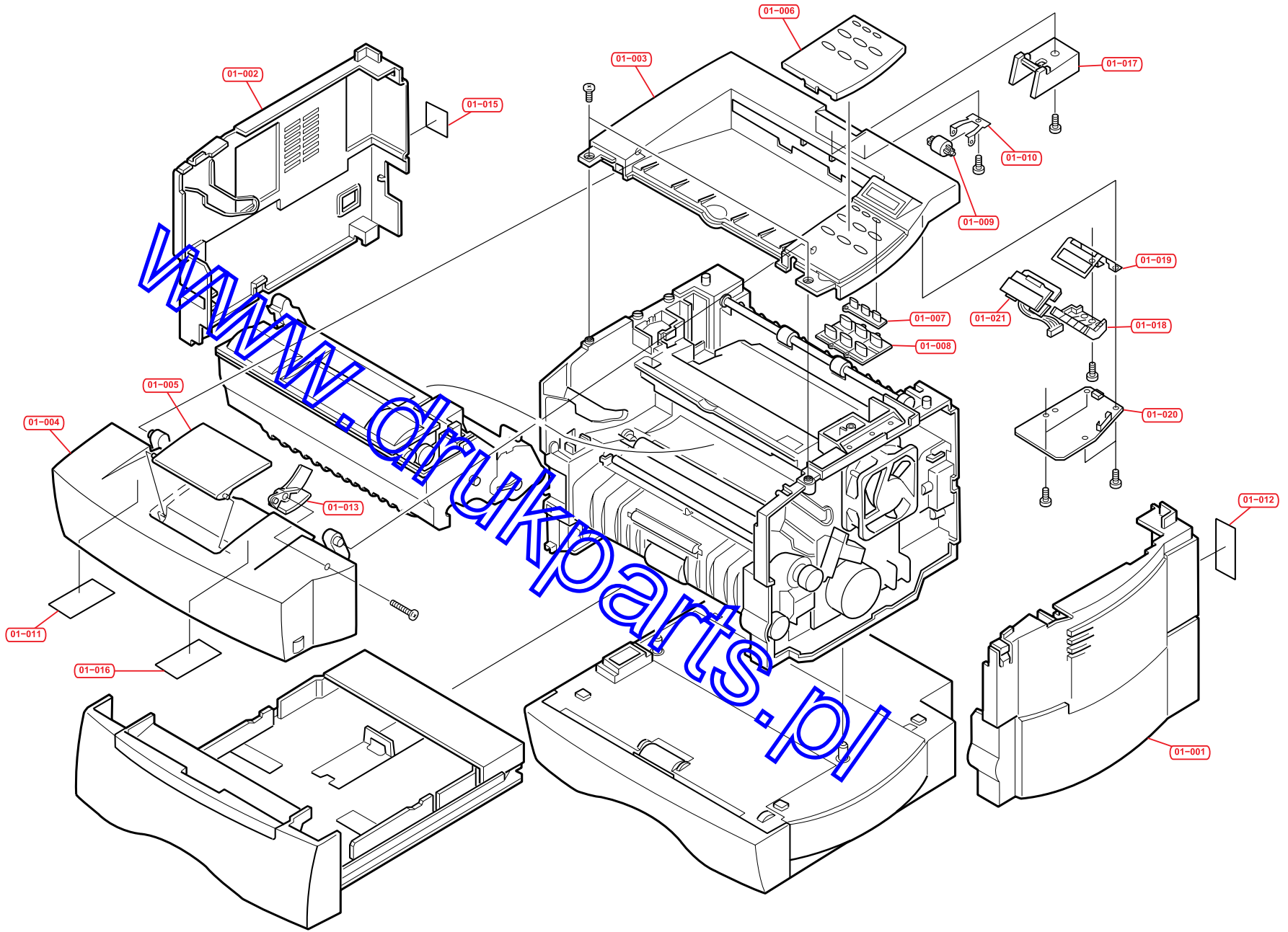


Fig.1 - Enclosure

Ref No.	Part Code	Description	Quantity
01-000	PU-18	Process Unit 5PLPZ5CAEKE	1
01-000	LK-18	Scanner Unit 5PLPZ6CAEKE	1
01-001	5MVB886CH006	Cover Right	1
01-002	5MVB885CH001	Cover Left	1
01-003	5MVB886CH007	Cover Top	1
01-004	5MVB876CH004	Lid Top TM (Europe)	1
01-004	5MVB876CH005	Lid Top S (USA)	1
01-005	5MVX661SH003	Tray Exit FD	1
01-006	5MVX762SH014	Panel Top English	1
01-006	5MVX762SH015	Panel Top French	1
01-006	5MVX762SH018	Panel Top Spanish	1
01-006	5MVX762SH019	Panel Top Italian	1
01-006	5MVX762SH020	Panel Top German	1
01-007	5MVX621SC002	Lens LED	1
01-008	5MVX662SB020	Button	1
01-009	5MVM273DB003	Roller Pinch	1
01-010	5MMX322LD018	BKT Pulley FD	1
01-011	5MVVL771WN16	Label Diagram	1
01-012		Ser No Plate (U)	1
01-013	5MVX322SH002	Lever Shutter	1
01-015		Label Ser Caution	1
01-016	5MVVL771WN17	Label Diagram B	1
01-017	5MVX322DW006	RID Stacker	1
01-018	5MVX441SN002	Holder LDD	1
01-019	5MVS756CN004	Cover Panel	1
01-020	5AAPRCZC2005AH	Panel PWB Assy KP-655	1
01-021	5AAPRLCC1001AH	LCD PWB Assy KP-657	1
	5AAVCOVER197	Cover Rear Assy	1

www.kyocera-parts.pl

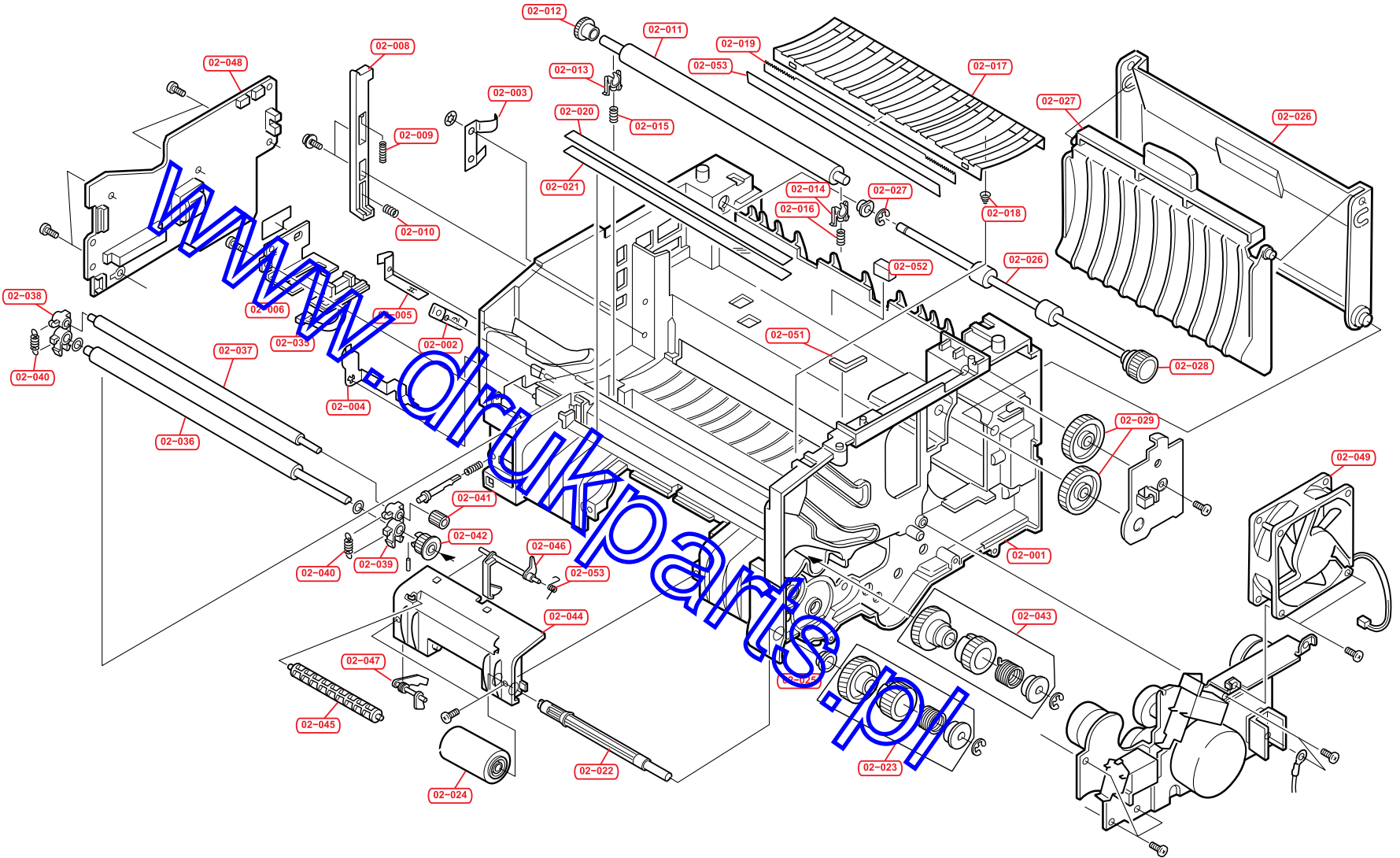


Fig 2 - Frame

Ref No.	Part Code	Description	Quantity
02-001	5MVB887CB001	Frame Base	1
02-002	5MMX421LD014	Contact Bias	1
02-003	5MMX431LD008	Contact Main	1
02-004	5MMX433LD006	Contact Earth Regist	1
02-005	5MMX522LD011	Contact Transfer	1
02-006	5MML543SL002	Plate Connector DLP	1
02-007	5MVS531KN001	Sheet B Insulator	1
02-008	5MVQ622SB001	Rod Interlock	1
02-009	5MMW261LD024	Spring Interlock A	1
02-010	5MMW261LD029	Spring Interlock B	1
<b>02-011</b>	<b>5MMT876SN063</b>	<b>Roller Transfer</b>	<b>1</b>
02-012	5MVG127DB035	Gear TC Z18	1
<b>02-013</b>	<b>5MVX221DB010</b>	<b>Bush Transfer R</b>	<b>1</b>
<b>02-014</b>	<b>5MVX221DW004</b>	<b>Bush Transfer L</b>	<b>1</b>
<b>02-015</b>	<b>5MMW211LD004</b>	<b>Spring Transfer L</b>	<b>1</b>
<b>02-016</b>	<b>5MMW251SX002</b>	<b>Spring Transfer R</b>	<b>1</b>
02-017	5MMC862SD004	Plate Earth Guide	1
02-018	5MMW261LD025	Spring Earth	1
02-019	5MVS825XF005	Brush Discharger	1
02-020	5MVS722KN001	Sheet Regist	1
02-021	5MVS722KN003	Sheet Regist B	1
02-022	5MMT766SN006	Shaft Feed	1
<b>02-023</b>	<b>5AAVCLTCH011</b>	<b>Clutch Feed</b>	<b>1</b>
<b>02-024</b>	<b>5AAVROLL*029</b>	<b>Roller Feed Assy</b>	<b>1</b>
02-025	5MVM122DB003	Bush Point	1
02-026	5MMT874LD002	Roller Exit	1
02-027	5MVM176DW001	Bush Exit	1
02-028	5MVG137DB003	Gear Exit Z22	1
02-029	5MVG148DN035	Gear Z38	1
02-030	5MVX651SB006	Cover Cord	1
02-031	5AACCNQH0GEA	Conn. Cord Assy HV to LSU	1
02-032	5AACCNQH5GEA	Conn. Cord Assy LSU Gnd	1
02-033	5AACCNQR2GEA	Conn. Cord Assy Panel	1
02-034	5AACCNQF4GEA	Conn. Cord Assy	1
02-035	5AACCNQ3GEA	Conn. Cord Assy Developer	1
<b>02-036</b>	<b>5MMT876SB055</b>	<b>Roller Regist Low</b>	<b>1</b>
<b>02-037</b>	<b>5MMT865SN009</b>	<b>Roller Regist Up</b>	<b>1</b>
<b>02-038</b>	<b>5MVX221DB019</b>	<b>Bush Regist Left</b>	<b>1</b>
<b>02-039</b>	<b>5MVX221DW006</b>	<b>Bush Regist Right</b>	<b>1</b>
<b>02-040</b>	<b>5MMW261LD023</b>	<b>Spring Regist R</b>	<b>1</b>
02-041	5MVG126DN013	Gear Regist Z16	1
02-042	5MVG148DN036	Gear Regist Z35	1
<b>02-043</b>	<b>5AAVCLTCH012</b>	<b>Clutch Regist</b>	<b>1</b>
02-044	5MVX766DB001	Holder Feed	1
<b>02-045</b>	<b>5MVT763SB001</b>	<b>Pulley Feed</b>	<b>1</b>

Ref No.	Part Code	Description	Quantity
02-046	5MVX642SB010	Actuator Feed	1
02-047	5MVX442SB009	Actuator Empty	1
<b>02-048</b>	<b>5AAXTR038VDA</b>	<b>Trans Assy</b>	<b>1</b>
<b>02-049</b>	<b>5EZNF2401901*01</b>	<b>Fan Motor</b>	<b>1</b>
02-051	5MVS329RN003	Seal Frame	1
02-052	5MVQ432RB003	Cord Press	1
02-053	5MVS825KN001	Sheet Discharger	1

[www.drukparts.pl](http://www.drukparts.pl)

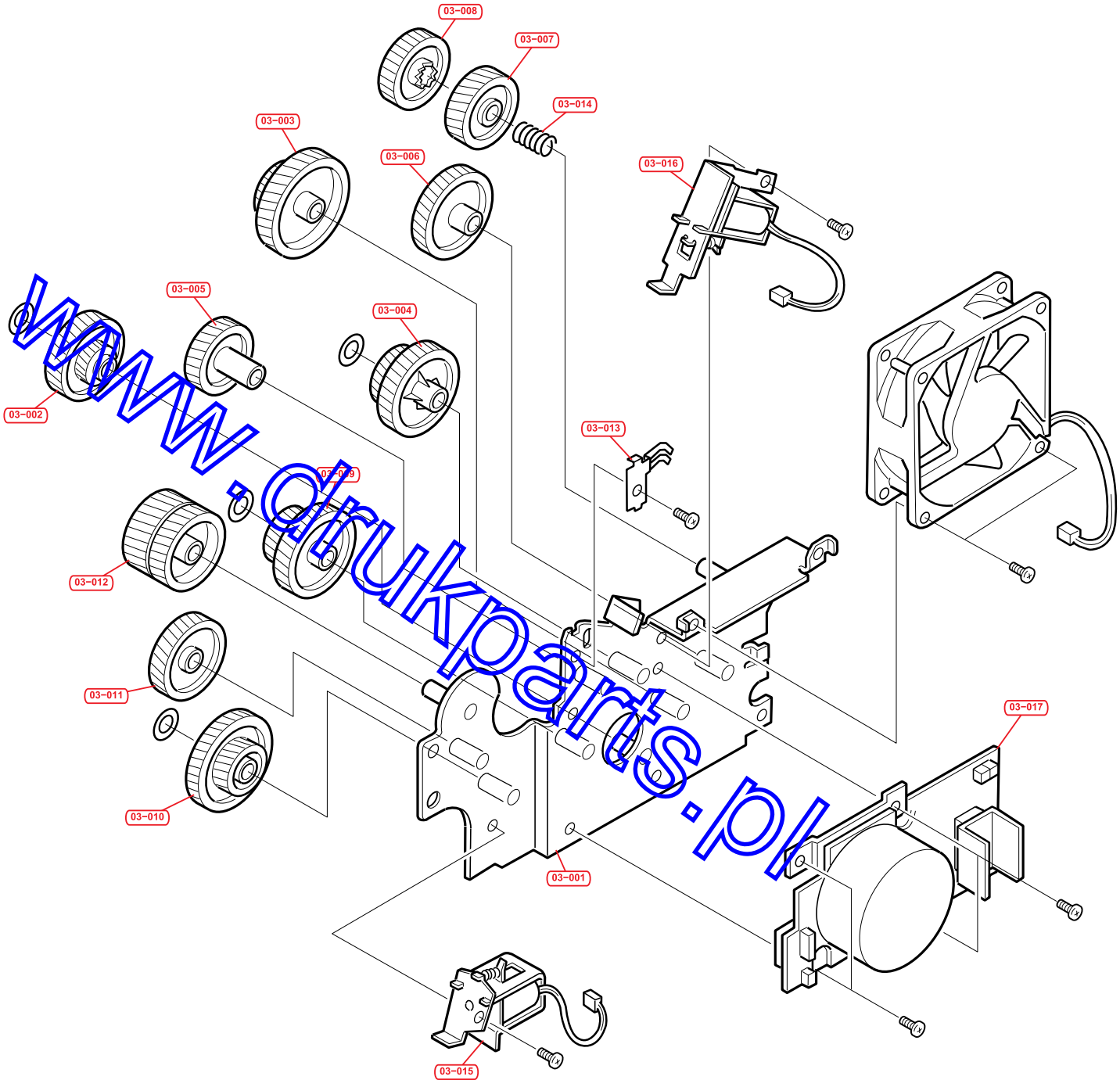


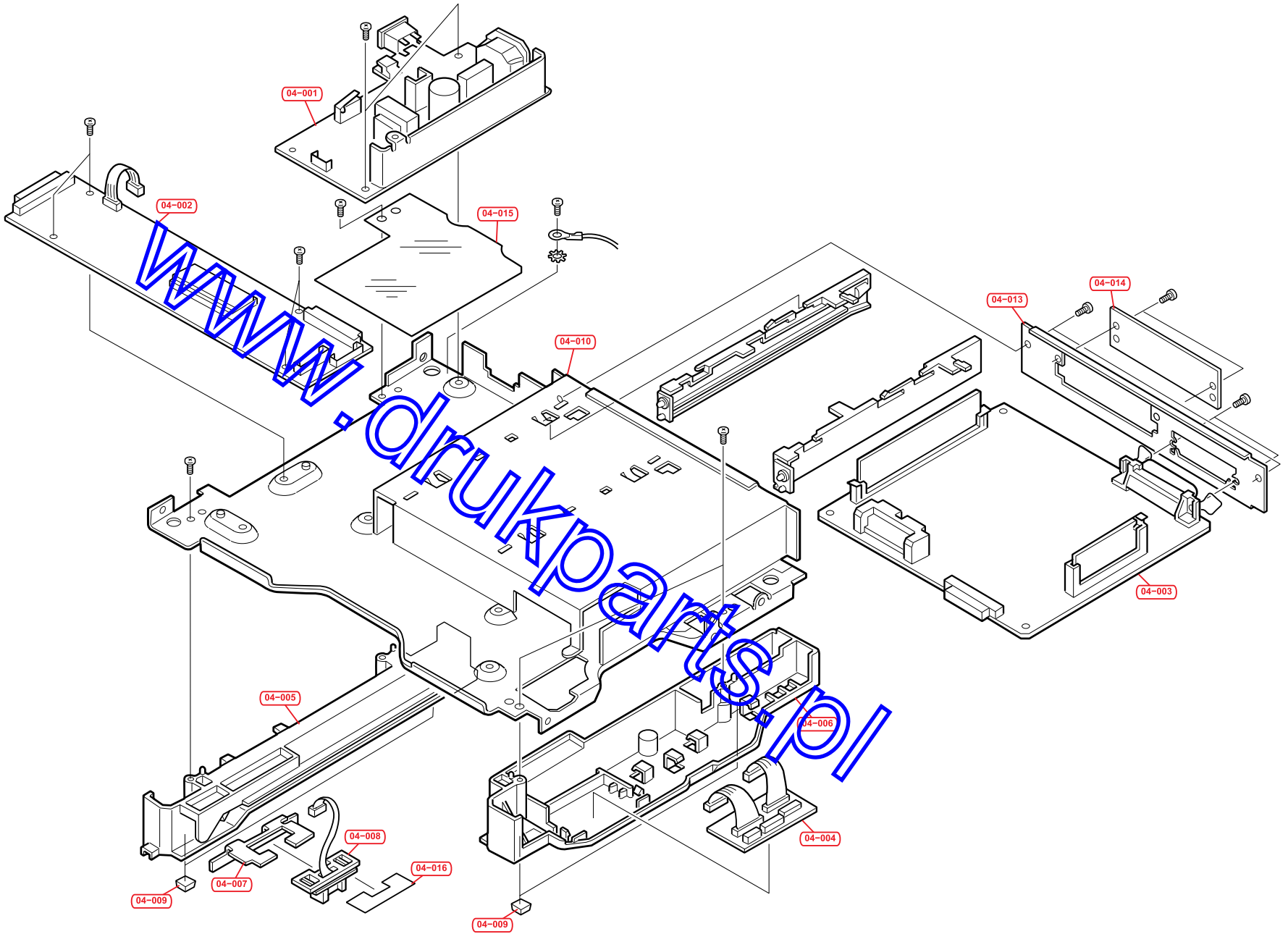
Fig.3 - Drive Assy



Ref No.	Part Code	Description	Quantity
<b>03-000</b>	<b>5AAY800E*09</b>	<b>Drive Assy</b>	<b>1</b>
03-000	5AAYFS600E32	DRIVE GEAR PACK	1
03-001	5MMX776SD004	Plate Drive	1
03-002	5MVG168DN012	Gear Z64H-Z19H	1
03-003	5MVG159DN009	Gear Z49H-Z22H	1
03-004	5MVG158DN025	Gear Z42H-Z25H	1
03-005	5MVG148DN034	Gear Z31H	1
03-006	5MVG158DN026	Gear Z42H	1
03-007	5MVG148DN032	Gear Free Z32H	1
03-008	5MVG148DN033	Gear Free Z32S	1
03-009	5MVG168DN013	Gear Z66H-Z27H	1
03-010	5MVG158DN027	Gear Z45H-Z24H	1
03-011	5MVG148DN030	Gear Z39H	1
03-012	5MVG148DN031	Gear Z37H-Z36H	1
03-013	5MMX331LD002	Plate Earth Drum	1
03-014	5MMW211SZ001	Spring Free	1
<b>03-015</b>	<b>5EZSA2402410201</b>	<b>Free Solenoid Assy</b>	<b>1</b>
<b>03-016</b>	<b>5EZSA2402410101</b>	<b>Regist Solenoid Assy</b>	<b>1</b>
<b>03-017</b>	<b>5AAXMT033GEA</b>	<b>Main Motor</b>	<b>1</b>

www.drukparts.pl

Fig.4 - Controller



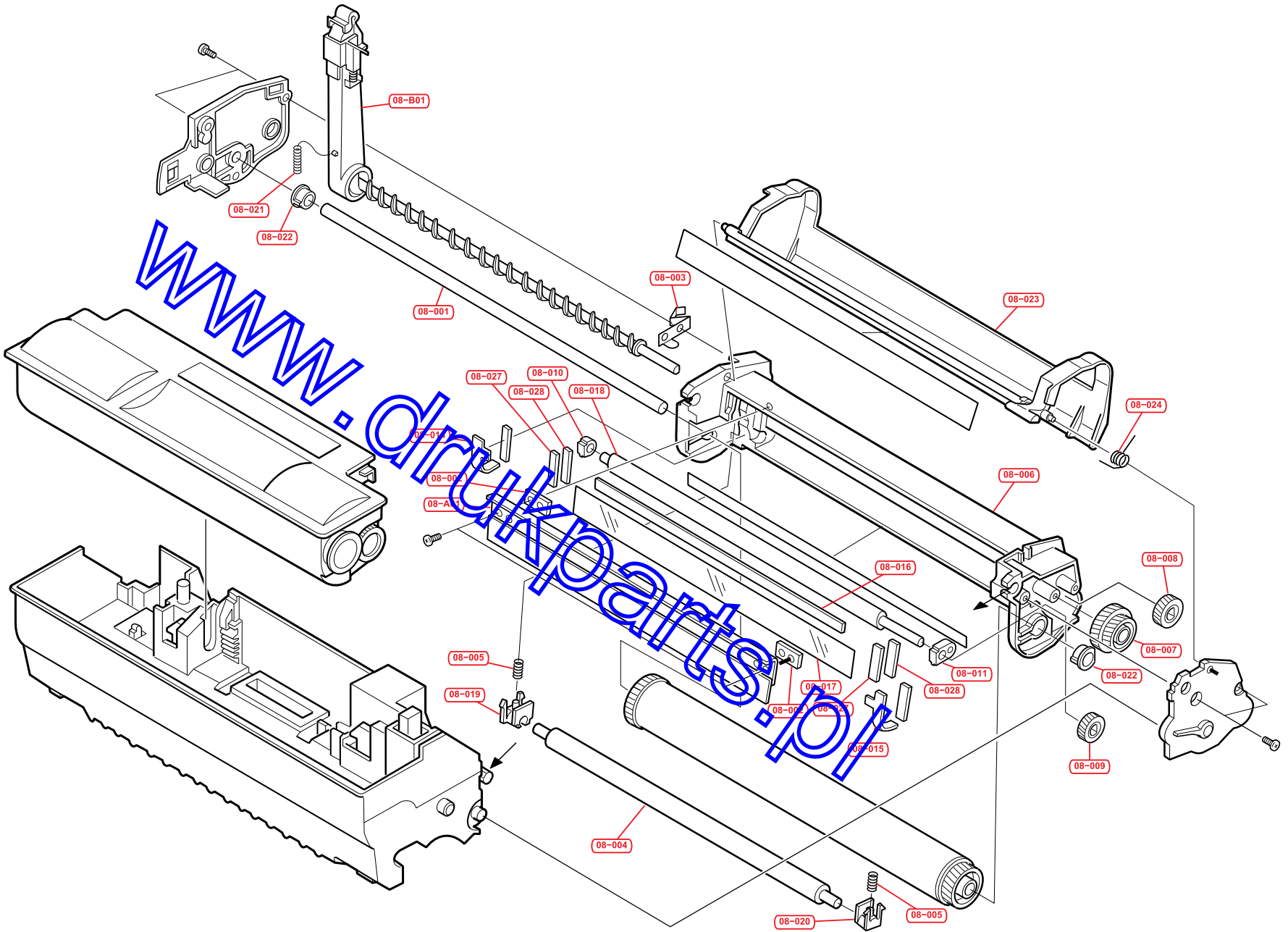
Ref No.	Part Code	Description	Quantity
04-000	5AAPRMEG4019AH	DIMM PWB Assy KP-610A	1
04-001	5AAEZFS800E1	Switching Regulator 230v	1
04-001	5AAEZFS800A1	Switching Regulator 120v	1
04-002	5AAPRCZC2004AH	Engine PWB Assy KP-651	1
04-003	5AAPRLGC2018AH	Main PWB Assy KP-650	1
04-004	5AAPRIFC2010AH	Relay PWB Assy KP-653	1
04-005	5MVB845SB002	Guide Cassette Left	1
04-006	5MVB864SB012	Guide Cassette Right	1
04-007	5MML643SL004	Plate Connector PF	1
04-008	5AACCNQG3GEA	Conn Cord Assy	
04-009	5MVS228RB019	Foot	1
04-010	5AAVBOX**005	Box Controller Assy	1
04-013	5MMU841SD002	Panel Rear	1
04-014	5MMS636SD009	Plate Option	1
04-015	5MVS774CN001	Sheet PWB	1
04-016	5MVS522KN001	Sheet Connector	1
04-017	5MVQ611RX012	EMI Gasket	1

www.drukparts.pl



Ref No.	Part Code	Description	Quantity
06-000	FK-18	Fuser Unit (5PLPPZ3CAEKE)	1
06-001	5MVT876CX001	Roller Exit	1
06-002	5MVM176DN016	Bush A	1
06-003	5MVX833KB001	Paper Chute Fuser	1
06-004	5MVG127DN047	Gear Idle Z18	1
06-005	5MVM162DN005	Bush FD R	1
06-006	5MVX875KB001	Frame Fuser Low	1
06-007	5MMW261LD017	Spring Actuator	1
06-008	5MVX721CB002	Actuator Fuser	1
<b>06-009</b>	<b>5MMT876SN040</b>	<b>Roller Press</b>	<b>1</b>
<b>06-010</b>	<b>5MMW261LD022</b>	<b>Spring Fuser</b>	<b>1</b>
06-011	5MMX323LD001	Plate Earth Fuser	1
<b>06-012</b>	<b>5MVX221XN002</b>	<b>Bush Press</b>	<b>1</b>
06-013	5MVB864KB003	Frame Fuser Up	1
06-014	5AAXTM010GEA	Thermistor Assy	1
<b>06-015</b>	<b>5EYFFQ14001**01</b>	<b>Thermo Cut Out</b>	<b>1</b>
<b>06-016</b>	<b>5MMT877AX003</b>	<b>Roller Heat</b>	<b>1</b>
<b>06-017</b>	<b>5MVG138XN008</b>	<b>Gear Fuser Z30</b>	<b>1</b>
<b>06-018</b>	<b>5EZPB2411920101</b>	<b>Lamp Heater 230v</b>	<b>1</b>
06-018	5EZPB1213820101	Lamp Heater 120v	1
06-018	5EZPB1014520101	Lamp Heater 100v	1
<b>06-019</b>	<b>5MMW261LD015</b>	<b>Spring Separator</b>	<b>1</b>
<b>06-020</b>	<b>5MVX222XN001</b>	<b>Separator</b>	<b>1</b>
06-021	5MMW603LD001	Spring Exit	1
<b>06-022</b>	<b>5MMX222LD016</b>	<b>Holder Lamp L</b>	<b>1</b>
<b>06-023</b>	<b>5MMX531RD002</b>	<b>Holder Lamp R</b>	<b>1</b>
<b>06-024</b>	<b>5MVM188XN013</b>	<b>Bush Heat L</b>	<b>1</b>
<b>06-025</b>	<b>5MVM288XN001</b>	<b>Bush Heat R</b>	<b>1</b>
<b>06-026</b>	<b>5MVG138DN037</b>	<b>Gear Fuser</b>	<b>1</b>
06-027	5MVM273DB003	Roller Pinch	1
06-028	5AACCNQH1GEA	Conn Cord S02211 (240v)	1
06-028	5AACCNQH2GEA	Conn Cord S02212 (120v)	1
06-029	5MVX322KB002	Support Lamp	1
06-030	5MMK116SZ001	Nut Fuser	1
06-031	5MVS821KF021	Sheet Exit	1
06-032	5MVVLY31WN14	Label Fuser Caution	1

Fig.8 - Processor Unit



Ref No.	Part Code	Description	Quantity
<b>08-000</b>	<b>PU-18</b>	<b>Processor Unit</b>	<b>1</b>
08-001		Shaft Drum	
08-002		Spacer Blade	
08-003		Plate Bias Main	
08-004		Roller Main	
08-005		Spring MC	
08-006		Frame Drum	
08-007		Gear Idle Z24H-Z30H	
08-008		Gear Screw Z17H	
08-009		Gear Sweep Z15H	
08-010		Bush Sweep Left	
08-011		Bush Sweep Right	
08-013		Sheet Drum	
08-014		Seal Drum Left	
08-015		Seal Drum Right	
08-016		Seal Blade Long	
08-017		Sheet Sweep	
08-018		Roller Sweep	
08-019		Bush Main Left	
08-020		Bush Main Right	
08-021		Spring Case Belt	
08-022		Bush A	
08-023		Cover Drum	
08-024		Spring Cover Drum	
08-027		Seal Blade Upper	
08-028		Seal Blade Lower	
08-029		Seal Cover Drum	
08-A01		Blade Assy	
08-B01		Case Belt Assy	
08-B02		Case Feed Toner	
08-B03		Roller Belt	
08-B04		Belt Feed Toner	
08-B05		Shutter Case Belt	
08-B06		Spring Shutter	
08-B07		Seal Case Belt	
08-B08		Screw Cleaner	
08-B09		Spring Stopper	
08-B10		Stopper Case Belt	
08-C01		Drum Assy	

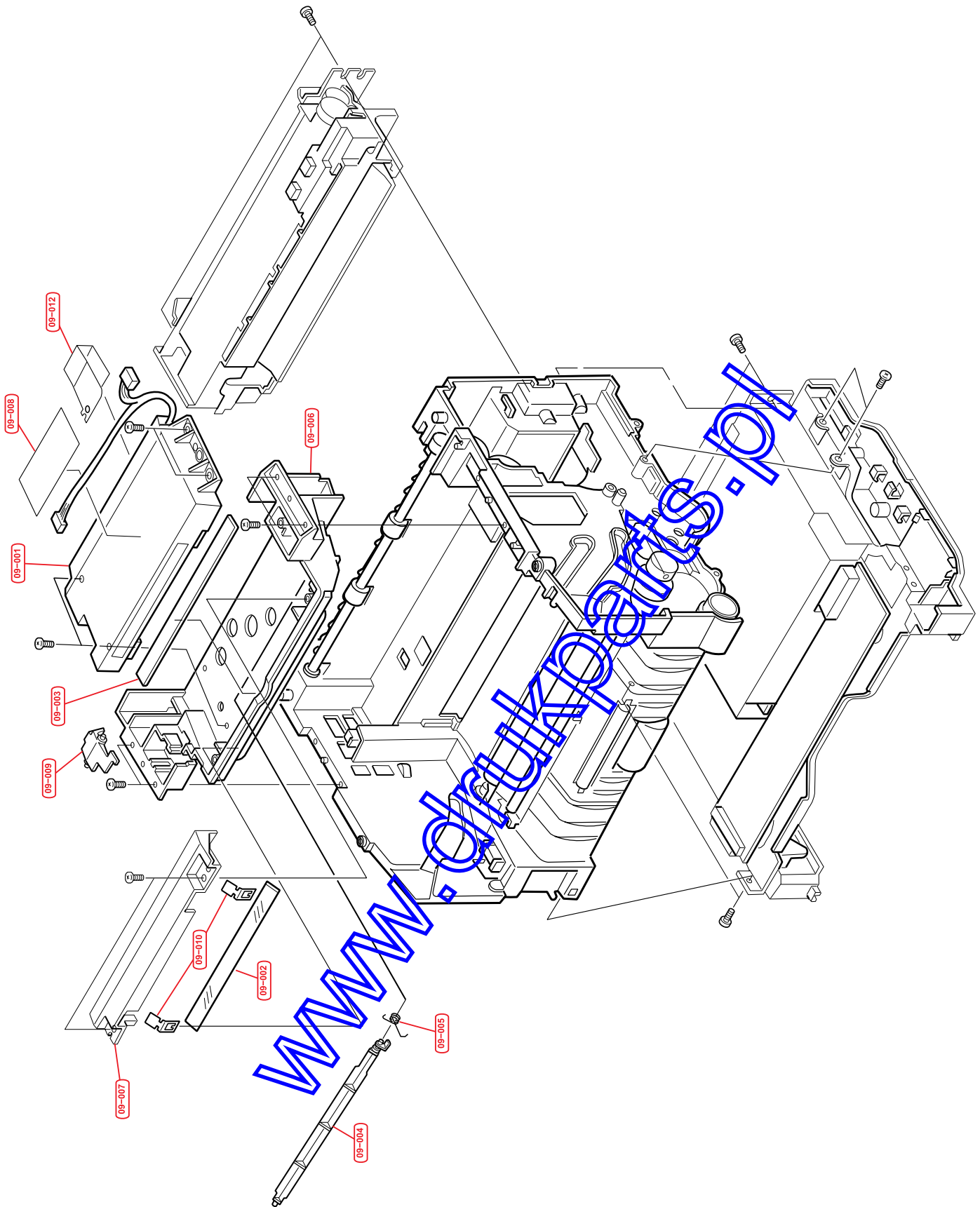


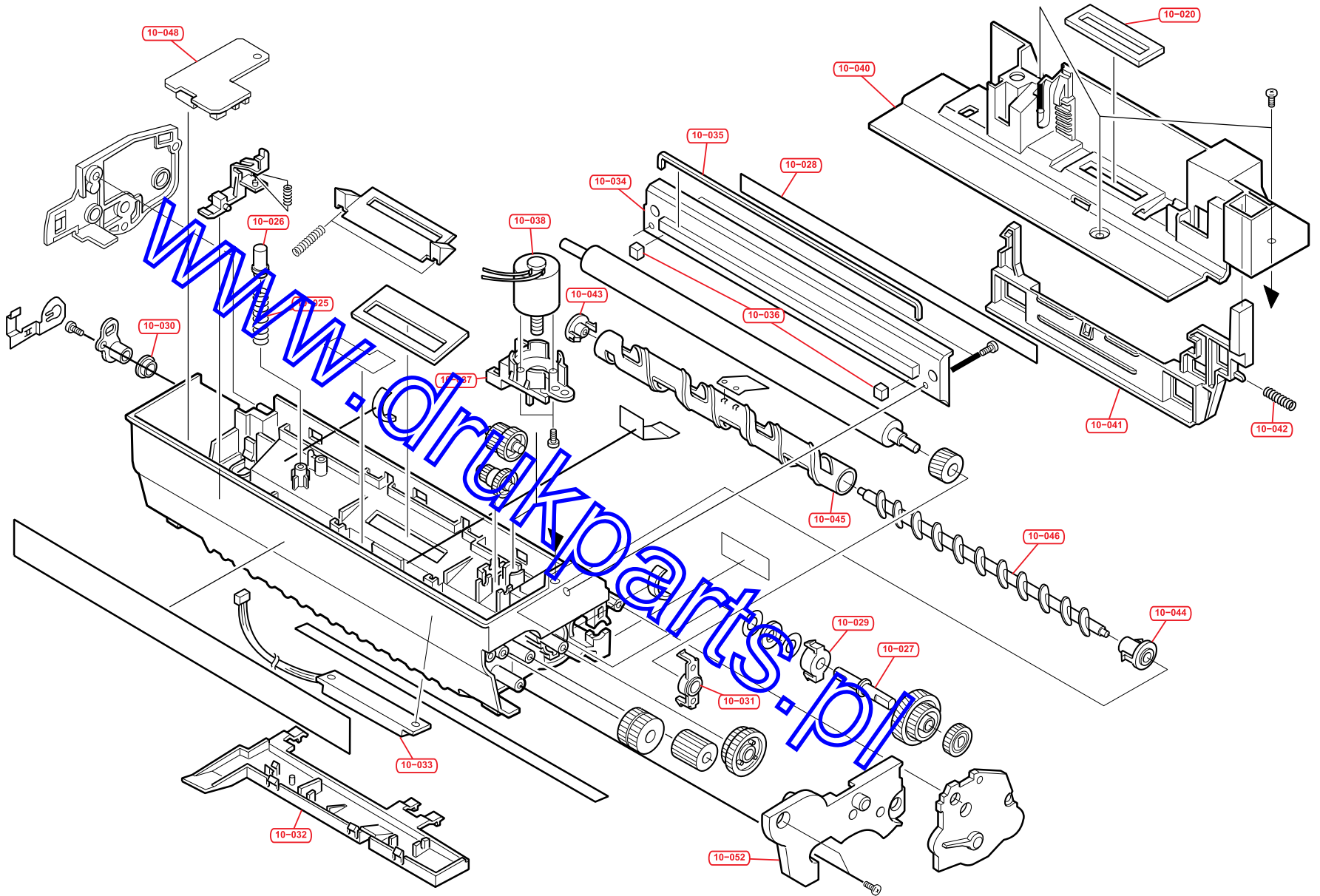
Fig.9 – Scanner Unit



Ref No.	Part Code	Description	Quantity
09-001	LK-18	Scanner Unit	1
09-002		Mirror Exit	
09-003		Glass Exit	
09-004		Shutter Scan	
09-005		spring Shutter	
09-006		Frame Middle	
09-007		Cover Scan	
09-008		Label Caution	
09-009		Lever Interlock	
09-010		Spring Mirror E	
09-011		Bind T.T. Screw (+)	
09-012		Earth AC	

[www.drukparts.pl](http://www.drukparts.pl)

Fig.10 - Developer Unit



Ref No.	Part Code	Description	Quantity
10-000	PU-18	Processor Unit	1
10-020		Seal Shutter Guide	
10-025		Spring Lid DLP	
10-026		Cap DLP	
10-027		Pin Mixer	
10-028		Seal Cover Mag	
10-029		Bush Mixer	
10-030		Bush Mag L	
10-031		Bush Mag R	
10-032		Guide Paper DLP	
10-033		Toner Sensor	
10-034		Blade DLP	
10-035		Seal Blade	
10-036		Seal Blade Side	
10-037		Bracket Motor	
10-038		DC Motor	
10-039		Conn. Cord S02208	
10-040		Lid DLP	
10-041		Lever DLP	
10-042		Spring Lever	
10-043		Flange Tube L	
10-044		Flange Tube R	
10-045		Tube Mixer	
10-046		Shaft Mixer	
10-047		Scaper Sensor	
10-048		P.W. Board Assy	
10-052		Cover DLP	
10-A01		DLP Mech Elec Assy	
10-B01		P.W. Board Assy	