



www.drukparts.pl

FS-6750

PARTS LIST

Published in April, 2002
FS67500770
842FS6750120

Contents

Ordering Information	3
1 Enclosure	4
2 Upper Frame Unit	8
3 Drive Unit	11
4 Controller Box	14
5 Paper Feed Unit	17
6 Fuser Unit	20
7 Paper Cassette	22
8 Laser Scanner Unit	26
10 Developer Unit	28
11 Tray MP Assembly	30
12 Miscellaneous	32

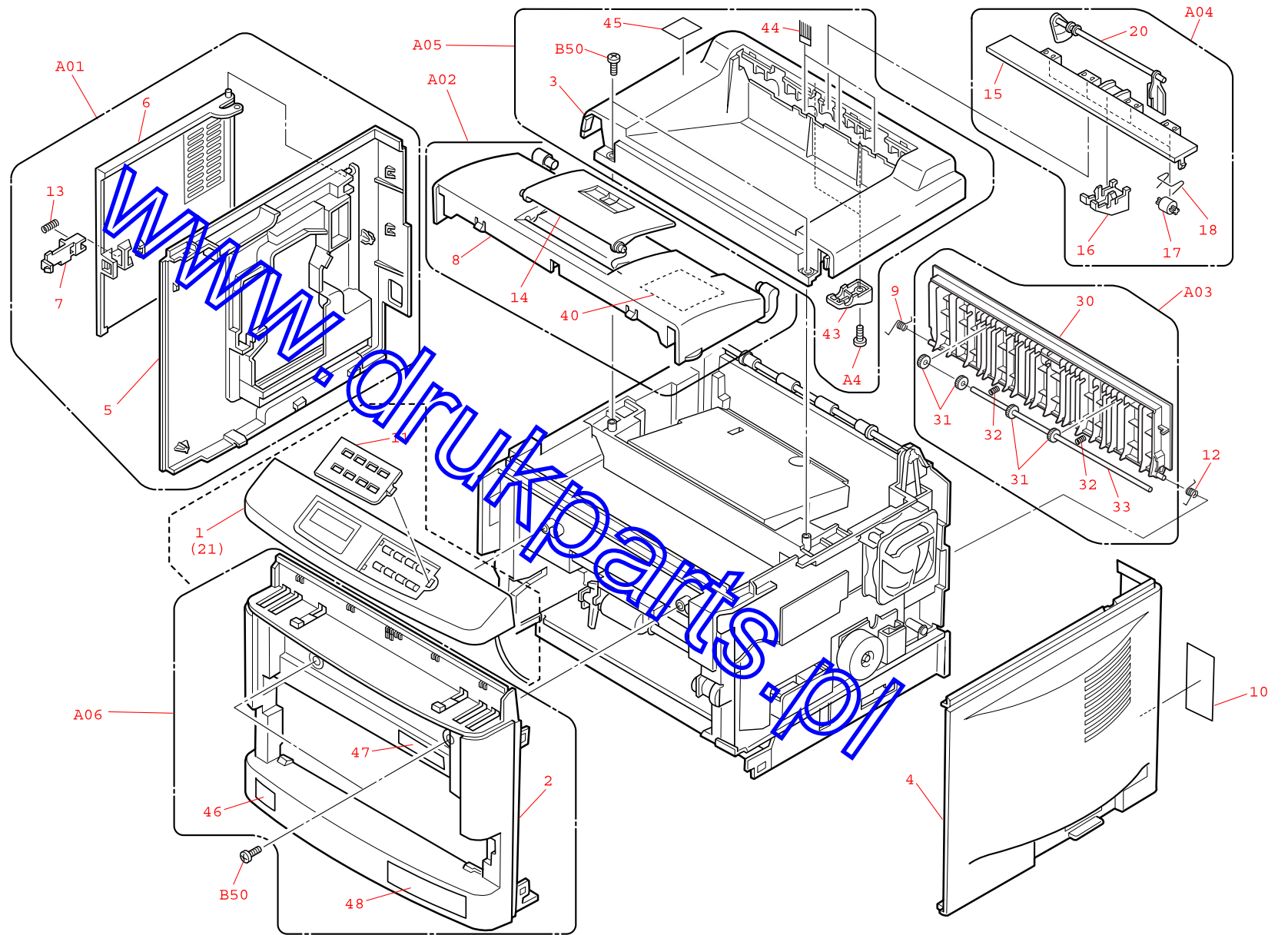
www.drukparts.pl

Ordering Information

1. ISP refers to Initially- supplied part; SP refers to Service part.
2. The Ref. No's correspond to those numbers in the exploded diagram.
3. Availability of ISP (Initially- Supplied Parts) varies depending on the destination of the product. For details, refer to the ISP List supplied separately by Kyocera.
4. Those parts bearing numbers in the diagram but not listed in the parts list are not suppliable as a general supply part.

www.drukparts.pl

1. Enclosure



List 1 - Enclosure

Ref. No.	Part Code	Alternative	Description	ISP	Q'ty	Korea	Taiwan	Remarks
01-001	5AAY6300J*11		KEY BOARD ASSY	1	1	No	No	
01-001	5AAY6300J*28		KEY BOARD ASSY	1	1	No	No	
01-001	5AAY6300TW03		KEY BOARD ASSY	1	1	No	No	
01-001	5AAY6300AM02		KEY BOARD ASSY	1	1	No	No	
01-001	5AAY6300CH04		KEY BOARD ASSY	1	1	No	No	
01-001	5AAY6350TW02		KEY BOARD ASSY	1	1	No	No	
01-001	5AAY6700A*03		KEY BOARD ASSY	1	1	No	No	
01-001	5AAY6700CH03		KEY BOARD ASSY CHP-6700	1	1	No	No	
01-001	5AAY6700E*05		KEY BOARD ASSY	1	1	No	No	
01-001	5AAY6700F*02		KEY BOARD ASSY	1	1	No	No	
01-001	5AAY6700TW02		KEY BOARD ASSY	1	1	No	No	
01-001	5AAY67001T02		KEY BOARD ASSY	1	1	No	No	
01-001	5AAY6800J*08		KEY BOARD ASSY	1	1	No	No	
01-001	5AAY6900CH03		KEY BOARD ASSY CHP-6900	1	1	No	No	
01-001	5AAY6900E*06		KEY BOARD ASSY	1	1	No	No	
01-001	5AAY6900FR02		KEY BOARD ASSY	1	1	No	No	
01-001	5AAY6900LE06		KEY BOARD ASSY	1	1	No	No	
01-001	5AAY69001T02		KEY BOARD ASSY	1	1	No	No	
01-001	5AAY6950TW02		KEY BOARD ASSY	1	1	No	No	
01-001	5AAYLS67MJ06		KEY BOARD ASSY	1	1	No	No	
01-001	5AAYLS66J*38		KEY BOARD ASSY	1	1	No	No	
01-001	5AAYLS67SJ02		KEY BOARD ASSY	1	1	No	No	
01-001	5AAY6800RS02		KEY BOARD ASSY	1	1	No	No	
01-001	5AAYA81TW+12		KEY BOARD ASSY	1	1	No	Yes	
01-001	5AAYA81CH+12		KEY BOARD ASSY	1	1	Yes	No	
01-002	5MVB986CH001		COVER FRONT	1	1	Yes	Yes	
01-002	5MVB866CH033		COVER FRONT	1	1	No	No	
01-002	5MVB986CH001		COVER FRONT	1	1	Yes	Yes	
01-004	5MVB885CH003		COVER RIGHT	1	1	No	No	
01-004	5MVB885CH005		COVER RIGHT	1	1	Yes	Yes	
01-005	5MVB885CH002		COVER LEFT	1	1	Yes	Yes	
01-006	5MVB873CH003		COVER SIDE	1	1	Yes	Yes	
01-007	5MVX432CH001		LEVER SIDE	1	1	Yes	Yes	
01-009	5MMW161SD007		SPRING REAR L	1	1	Yes	Yes	
01-010	5MVVM6700E*1		RATING LABEL	1	1	No	No	
01-011	5MVS651CH001		PANEL ENGLISH	1	1	No	No	
01-011	5MVS651CH002		PANEL GERMAN	1	1	No	No	
01-011	5MVS651CH003		PANEL FRANCE	1	1	No	No	
01-011	5MVS651CH004		PANEL SPANISH	1	1	No	No	

www.drukparts.pl

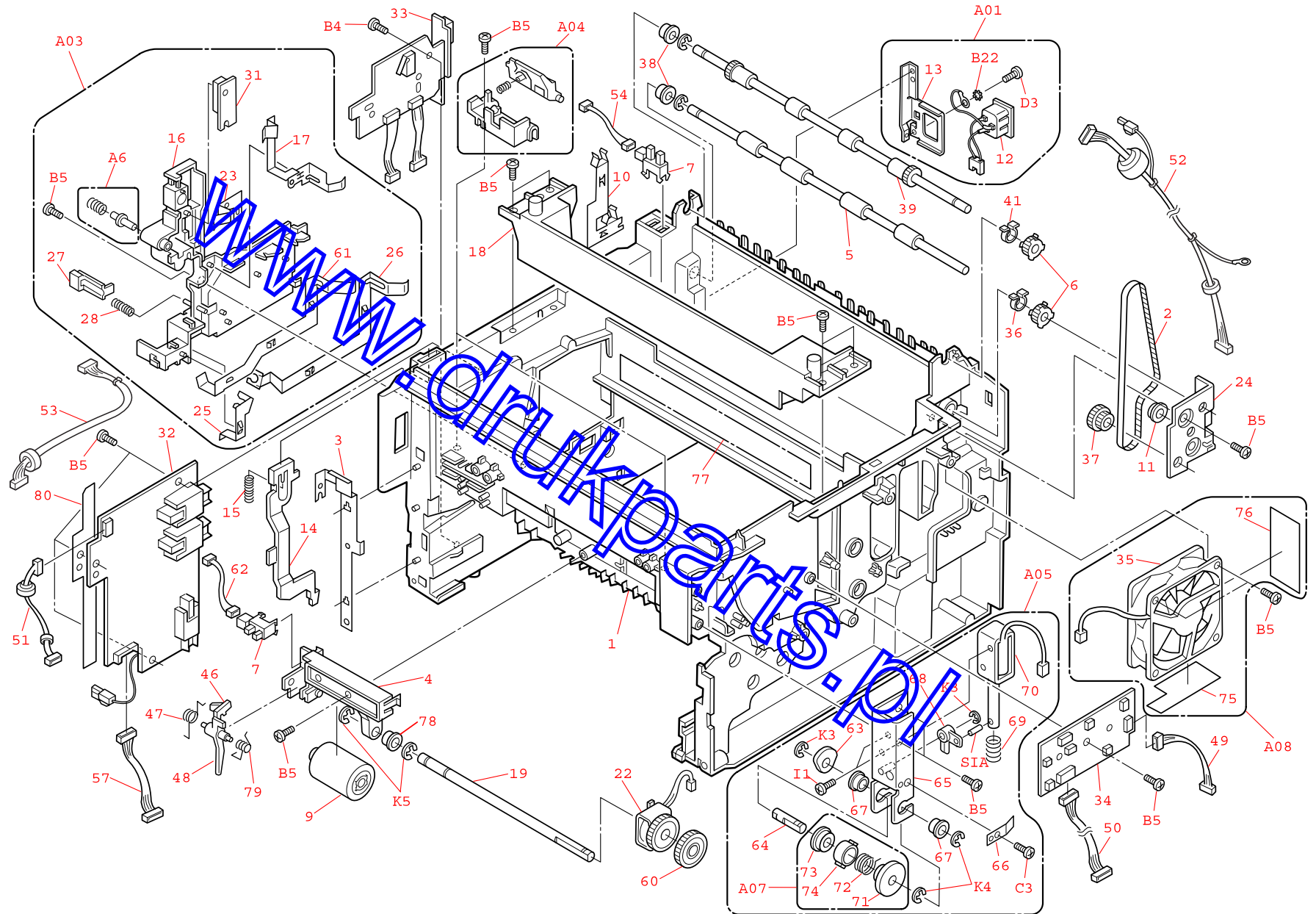
Ref. No.	Part Code	Alternative	Description	ISP	Q'ty	Korea	Taiwan	Remarks
01-011	5MVS651CH005		PANEL ITALIAN		1	No	No	
01-011	5MVS651CH006		PANEL DANISH		1	No	No	
01-011	5MVS651CH015		PANEL GERMAN C		1	No	No	
01-011	5MVS651CH016		PANEL LS		1	No	No	
01-011	5MVS651CH018		PANEL ENGLISH		1	No	No	
01-011	5MVS651CH020		PANEL KOREA		1	No	No	
01-011	5MVS651CH021		PANEL KOREA		1	No	No	
01-011	5MVS651CH027		PANEL		1	No	Yes	
01-011	5MVS651CH026		PANEL		1	Yes	No	
01-012	5MMW161SD008		SPRING REAR R		1	Yes	Yes	
01-013	5MMW166LD008		SPRING LEVER		1	Yes	Yes	
01-014	5MVB761SH009		STOPPER FD		1	Yes	Yes	
01-015	5MVX853CH001		FRAME FD		1	No	No	
01-015	5MVX853CH002		FRAME FD		1	Yes	Yes	
01-016	5MVX332DB012		GUIDE STOCK		1	Yes	Yes	
01-017	5MVM273DB003		ROLLER PULLEY		4	Yes	Yes	
01-018	5MMW251LD025		SPRING PULLEY		4	No	No	
01-018	5MMW251LD038		SPRING PULLEY C		4	Yes	Yes	
01-020	5MVX335CB001		ACTUATOR FD		1	Yes	Yes	
01-021	5MVB866CH001		PANEL FRONT		1	No	No	
01-021	5MVB866CH003		PANEL FRONT U		1	No	No	
01-021	5MVB866CH004		PANEL FRONT E		1	No	No	
01-021	5MVB866CH006		PANEL FRONT		1	No	No	
01-021	5MVB866CH007		PANEL FRONT		1	No	No	
01-021	5MVB866CH008		PANEL FRONT		1	No	No	
01-021	5MVS866CH012		PANEL FRONT K		1	No	No	
01-021	5MVB866CH014		PANEL FRONT		1	No	No	
01-021	5MVB866CH018		PANEL FRONT KOREA		1	No	No	
01-021	5MVB866CH020		PANEL FRONT TWN		1	No	No	
01-021	5MVB866CH032		PANEL FRONT		1	No	Yes	
01-021	5MVB866CH031		PANEL FRONT		1	Yes	No	
01-022	5MVS756CN001		COVER PANEL		1	No	No	
01-022	5MVS756CN003		COVER PANEL LS		1	No	No	
01-022	5MVS756CN009		COVER PANEL		1	Yes	Yes	
01-024	5MVS751RC001		SHEET PWB KEY		1	No	No	
01-028	5AAPRKBC2001CH	5AAPRKBC2001DH	P.W.B. ASSY KP-503		1	No	No	F-PANEL KP-503
01-028	5AAPRKBC2005AH		P.W.B. ASSY		1	Yes	Yes	F-PANEL
01-030	5MVX863CH001		COVER REAR		1	Yes	Yes	
01-031	5MVM176DB016		PULLEY EXIT FD		4	Yes	Yes	
01-032	5MMW251LD033		SPRING PULLEY B		2	Yes	Yes	
01-033	5MMT833SD001		SHAFT EXIT		1	Yes	Yes	

www.drunkparts.pl

Ref. No.	Part Code	Alternative	Description	ISP	Q'ty	Korea	Taiwan	Remarks
01-040	5MVVL761WN46		LABEL DIAGRAM FE22		1	No	No	
01-040	5MVVL761WN47		LABEL DIAGRAM FE22		1	Yes	Yes	
01-040	5MVVL761WN46		LABEL DIAGRAM FE22		1	No	No	
01-040	5MVVL761WN47		LABEL DIAGRAM FE22		1	Yes	Yes	
01-043	5MVB432DH001		GUIDE STOCK B		2	Yes	Yes	
01-044	5MVS337FF002		DISCHARGER FD		3	Yes	Yes	
01-A01	5AAVCOVER202		COVER LEFT ASSY	1	1	Yes	Yes	
01-A02	5AAVCOVER203		LID TOP ASSY		1	No	No	
01-A02	5AAVCOVER218		LID TOP ASSY		1	No	No	
01-A02	5AAVCOVER239		LID TOP ASSY		1	Yes	Yes	
01-A03	5AAYLS66J*42		COVER REAR ASSY	1	1	No	No	
01-A03	5AAYA81TW+32		COVER REAR ASSY		1	Yes	Yes	
01-A04	5AAVFRAME091		FRAME FD ASSY		1	No	No	
01-A04	5AAVFRAME099		FRAME FD ASSY		1	Yes	Yes	
01-A05	5AAVCOVER212		COVER TOP ASSY		1	No	No	
01-A05	5AAVCOVER220		COVER TOP ASSY		1	Yes	Yes	
01-A06	5AAVCOVER210		COVER FRONT ASSY	1	1	No	No	
01-A06	5AAVCOVER221		COVER FRONT ASSY		1	No	No	
01-A07	5AAVCOVER215		COVER TOP/LID ASSY		1	No	No	
01-A07	5AAVCOVER219		COVER TOP/LID ASSY		1	No	No	
01-A07	5AAVCOVER232		COVER TOP/LID ASSY		1	No	No	
01-A07	5AAVCOVER240		COVER TOP/LID ASSY	1	1	No	No	
01-A07	5AAVCOVER241		COVER FRONT MT ASSY	1	1	No	No	
01-A07	5AAVCOVER254		COVER TOP/LID ASSY	1	1	Yes	Yes	

www.drukparts.pl

2. Upper Frame Unit



List 2 - Upper Frame Unit

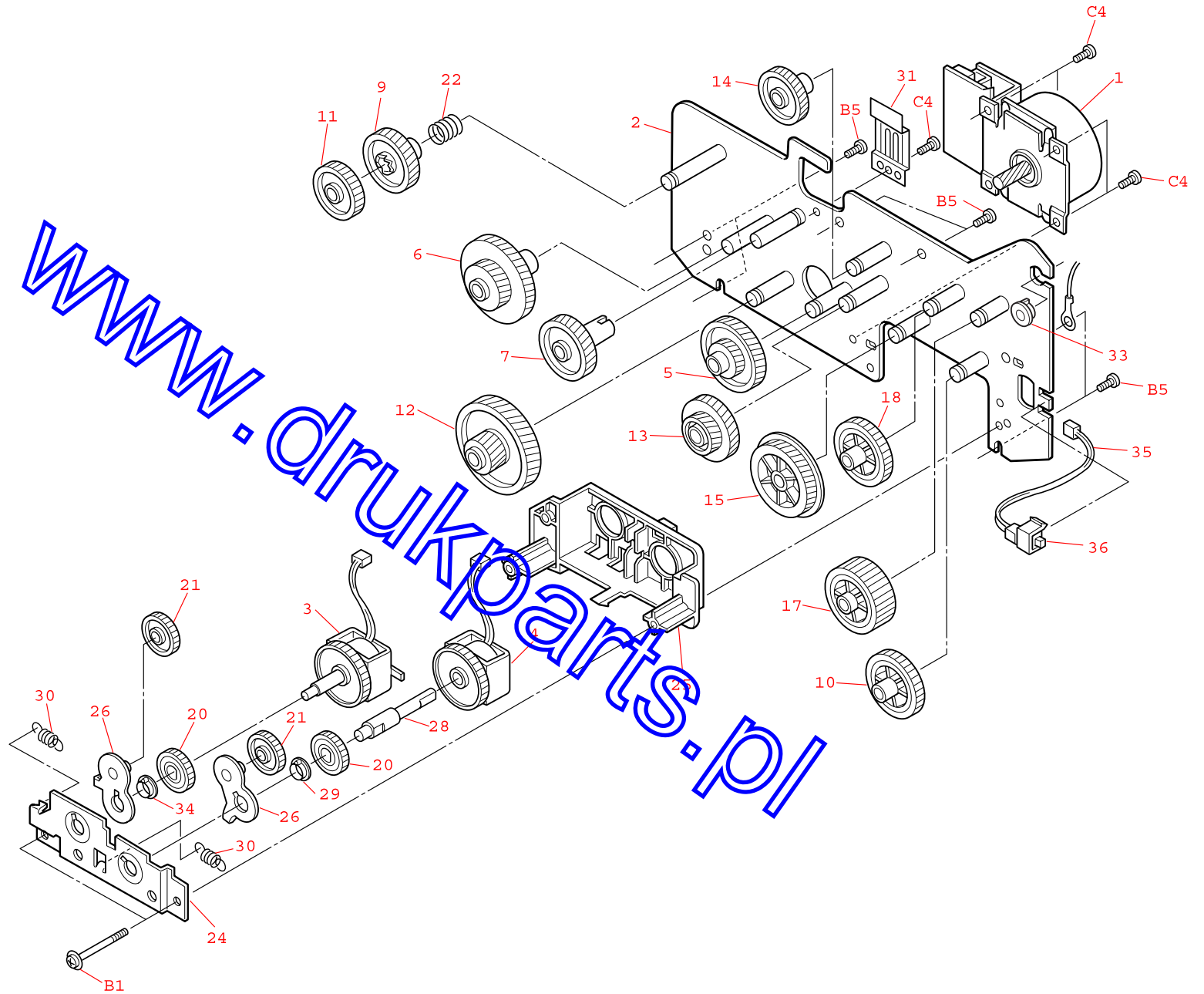
Ref. No.	Part Code	Alternative	Description	ISP	Q'ty	Korea	Taiwan	Remarks
02-002	5MVM170RB002		BELT FD		1	Yes	Yes	
02-003	5MMX742SD002		PLATE EARTH		1	Yes	Yes	
02-004	5MVX744SB003		BRACKET M/P ROLL		1	Yes	Yes	
02-005	5MVT821CB002		ROLLER FD B		1	Yes	Yes	
02-006	5MVG327DN004		PULLEY FD		2	Yes	Yes	
02-007	5ENXGP1A73A**01		PT.SENSOR GP1A73AZ	1	1	Yes	Yes	
02-009	5AAVROLER036		ROLLER M/P ASSY	1	1	No	No	
02-009	5AAVROLER041		ROLLER M/P ASSY	1	1	Yes	Yes	
02-010	5MVF276DN001		PULLEY TENSION FD		1	Yes	Yes	
02-011	5MMX642LD003		PLATE EARTH FD		1	Yes	Yes	
02-013	5MMX643SD004		BRACKET INLET		1	Yes	Yes	
02-014	5MVX753SB003		TOP INTER LOCK		1	Yes	Yes	
02-015	5MMW451LD001		SPRING INTER LOCK		1	Yes	Yes	
02-016	5MVX773SH005		COVER HV		1	Yes	Yes	
02-017	5MMX664LD001		CONTACT YC		1	Yes	Yes	
02-018	5MVB966CB003		FRAME MID			No	No	
02-018	5MVB966CB004		FRAME MID			Yes	Yes	
02-019	5MMT866SN028		SHAFT M/P ROLL		1	Yes	Yes	
02-022	5EYYAFAAM01**03	5EYYAFAAM02**02	CLUTCH M/P			No	No	
02-022	5EYYAFAAM02**02		CLUTCH M/P		1	Yes	Yes	
02-023	5MMX531LY001		CONTACT MCH		1	Yes	Yes	
02-024	5MVB663DN001		HOLDER FD GEAR		1	Yes	Yes	
02-025	5MMX422LD010		CONTACT HI.MEG A		1	Yes	Yes	
02-026	5MMX654LD004		CONTACT HI.MEG B		1	Yes	Yes	
02-027	5MVX321SB016		LEVER BOTTLE		1	Yes	Yes	
02-028	5MMW241LD014		SPRING LEVER BOTTLE		1	Yes	Yes	
02-031	5AAPRIFC1011AH		P.W.BOARD ASSY		1	Yes	Yes	DRUM RELAY KP-503
02-032	5AAXTR045GEA		TRANS ASSY	1	1	No	No	
02-032	5AAXTR039VDA		TRANS ASSY	1	1	No	No	
02-032	5AAXTR051VDA		TRANS ASSY	1	1	Yes	Yes	
02-033	5AAPRSSC1021AH		P.W.BOARD ASSY		1	No	No	SENSOR KP-628
02-033	5AAPRSSC1021BH		P.W.BOARD ASSY		1	Yes	Yes	SENSOR KP-628
02-034	5AAPRIFC1021AH		P.W.BOARD ASSY		1	No	No	RELAY KP-620
02-034	5AAPRIFC1028AH		P.W.BOARD ASSY		1	Yes	Yes	RELAY KP-908
02-036	5MVM176DN019		BUSH POM A		1	Yes	Yes	
02-037	5MVG137DB069		GEAR FD		1	Yes	Yes	
02-038	5MVM210DB002		BUSH REGIST	1	1	Yes	Yes	
02-039	5MVT821CB001		ROLLER FD A		1	Yes	Yes	
02-040	5MVM162DN004		BUSH FD L	1	1	No	No	

www.drunkparts.pl

Ref. No.	Part Code	Alternative	Description	ISP	Q'ty	Korea	Taiwan	Remarks
02-041	5MVM162DN005		BUSH FD R	1	1	Yes	Yes	
02-046	5MVX222SB012		ARM M/P A		1	Yes	Yes	
02-047	5MMW161LJ043		SPRING M/P ARM		1	Yes	Yes	
02-048	5MVX532SB007		ACTUATOR M/P		1	Yes	Yes	
02-049	5AACCNQL8GGEA		CONN. CORD ASSY		1	No	No	
02-049	5AACCNQY6GGEA		CONN. CORD ASSY		1	Yes	Yes	
02-050	5AACCNQL7GGEA		CONN. CORD ASSY		1	Yes	Yes	
02-051	5AACCNQN1GGEA		CONN. CORD ASSY		1	Yes	Yes	
02-052	5AACCNQ8GGEA		CONN. CORD ASSY		1	No	No	
02-052	5AACCNSG8GGEA		CONN. CORD ASSY		1	Yes	Yes	
02-053	5AACCNQL2GGEA		CONN. CORD ASSY		1	Yes	Yes	
02-054	5AACCNQL3GGEA		CONN. CORD ASSY		1	Yes	Yes	
02-060	5MVG158DN036		BEARING M/P Z42S		1	Yes	Yes	
02-061	5MMX665LD003		CONTACT SEPARATE		1	Yes	Yes	
02-062	5AACCNQL4GGEA		CONN. CORD ASSY		1	Yes	Yes	
02-063	5MVX221DN011		CAM M/P		1	Yes	Yes	
02-064	5MMT566SN004		SHAFT M/P CL		1	Yes	Yes	
02-065	5MMU364SD001		BRACKET CLUTCH			Yes	Yes	
02-066	5MMX411LD005		PLATE EARTH M/P B			Yes	Yes	
02-067	5MVM176DB017		BUSH M/P ROLL		2	Yes	Yes	
02-068	5MVX321DN012		LEVER M/P BOTTOM			Yes	Yes	
02-069	5MMW271LD009		SPRING SOLENOID		1	Yes	Yes	
02-070	5EZSA2402010101		SOLENOID ASSY		1	Yes	Yes	
02-078	5MVM176DN019		BUSH POM A		1	Yes	Yes	
02-079	5MMW161LD042		SPRING ACTUATOR		1	Yes	Yes	
02-080	5MVS762KF008		SHEET HI VOLTAGE		1	Yes	Yes	
02-081	5MVM111RB003		RUBBER PIN		1	Yes	Yes	
02-A01	5AAYLS66J*23		INLET ASSY		1	Yes	Yes	
02-A02	5AAYLS66J*24		BRACKET ASSY		1	Yes	Yes	
02-A03	5AAYLS66J*25		COVER HV ASSY		1	Yes	Yes	
02-A04	5AAY1700E*43		DLP LOCK ASSY		2	No	No	
02-A05	5AAYLS66J*41		BRACKET CL ASSY		1	Yes	Yes	
02-A06	5AAY1700E*34		PIN HV ASSY		1	Yes	Yes	
02-A07	5AAVCLTCH014		M/P CL ASSY		1	Yes	Yes	
02-A08	5AAVTRAY*013		M/P TRAY ASSY	1	1	No	No	
02-A08	5AAY6300J*26		FAN MOTOR ASSY		1	No	No	
02-A08	5AAYLS66J*44		FAN MOTOR ASSY		1	Yes	Yes	
02-B22	5MBWG40854SZ		OT LOCK WASHER		1	Yes	Yes	
02-B22	5MBWG40854SZ		OT LOCK WASHER		1	Yes	Yes	
02-B28	5MBP2020WXSP		SPRING PIN		1	Yes	Yes	
02-B28	5MBP2020WXSP		SPRING PIN		1	Yes	Yes	

www.drunkparts.pl

3. Drive Unit



List 3 - Drive Unit

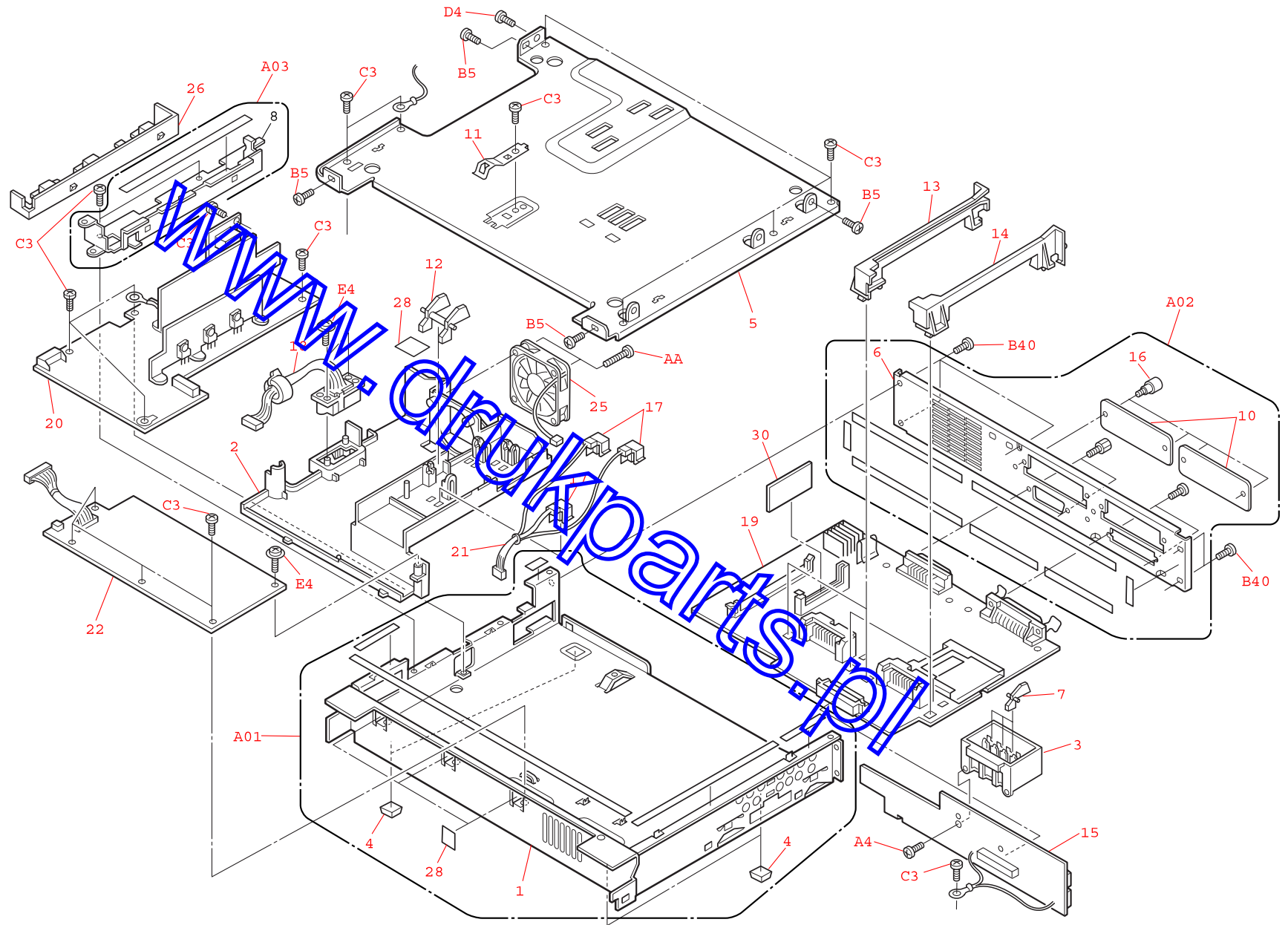
Ref. No.	Part Code	Alternative	Description	ISP	Q'ty	Korea	Taiwan	Remarks	Service Bulletin
03-001	5AAXMT		MAIN MOTOR ASSY	1	1	No	No		
03-001	5AAXMT034GEA		MAIN MOTOR ASSY	1	1	No	No		
03-001	5AAXMT039GEA		MAIN MOTOR ASSY	1	1	No	No		
03-001	5AAXMT043GEA	5AAXMT043GEB	MAIN MOTOR ASSY	1	1	No	No		YC-5422
03-001	5AAXMT058GEA		MAIN MOTOR ASSY	1	1	Yes	Yes		
03-002	5MMX875SL004		PLATE DRIVE		1	Yes	Yes		
03-003	5EYYALAAJ01**01		CLUTCH REGIST	1	1	Yes	Yes		
03-004	5EYYAFAAM01**01	5EYYAFAAM02**01	CLUTCH FEED	1	1	No	No		
03-004	5EYYAFAAM02++01		CLUTCH FEED	1	1	Yes	Yes		
03-005	5MVG169DN026		GEAR Z78H-Z24H		1	Yes	Yes		
03-006	5MVG169DN024		GEAR Z55H-Z31H		1	Yes	Yes		YC-5325
03-006	5MVG169DN031		GEAR Z55H-Z31H		1	No	No		YC-5325
03-007	5MVG158DN030		GEAR Z41H		1	Yes	Yes		
03-009	5MVG148NN006		GEAR Z39H		1	Yes	Yes		
03-010	5MVG158DN032		GEAR Z445 A		1	Yes	Yes		
03-011	5MVG148NN005		GEAR Z345		1	Yes	Yes		
03-012	5MVG169DN025		GEAR Z96H-Z21H		1	Yes	Yes		
03-013	5MVG158DN029		GEAR Z41H-Z25H		1	Yes	Yes		
03-014	5MVG148DN040		GEAR Z33H		1	Yes	Yes		
03-015	5MVG159DN010		GEAR Z50H-Z49S		1	Yes	Yes		
03-017	5MVG158DN031		GEAR Z46S B		1	Yes	Yes		
03-018	5MVG158DN033		GEAR Z45S		1	Yes	Yes		
03-020	5MVG138DN021		GEAR CLUTCH Z26S	1	2	Yes	Yes		
03-021	5MVG137DN025		GEAR Z24S		2	Yes	Yes		
03-022	5MMW361LD011		SPRING FREE		1	Yes	Yes		
03-024	5MMS747SD002		PLATE CLUTCH		1	Yes	Yes		
03-025	5MVB764DN001		HOLDER CLUTH		1	Yes	Yes		
03-026	5MMX532SL013		PLATE JOINT CL		2	Yes	Yes		
03-028	5MMT665SD001		SHAFT CLUTCH		1	Yes	Yes		
03-029	5MVM176DB008		BUSHING STOP		1	Yes	Yes		
03-030	5MMW261LD006		SPRING JOINT		1	Yes	Yes		
03-031	5MMX431LD004		PLATE EARTH DRIVE		1	Yes	Yes		
03-033	5MVM176DB012		BUSH POM B		1	Yes	Yes		
03-034	5MMM176CJ005		BUSHING SBK		1	Yes	Yes		
03-035	5AACCNQR4GEA		CONN. CORD ASSY		1	Yes	Yes		
03-036	5ESP01000100*01		PUSH SWITCH 01 SN		1	Yes	Yes		
03-A01	5PLPXH9APKX	5AAYLS66J*34	DR-25 DRIVE UNIT	1	1	No	No		
03-A01	5PLPXC6APKX	5AAY6300J*04	DR-26 DRIVE UNIT	1	1	No	No		
03-A01	5PLPXJ0APKX	5AAY6800J*03	DR-27 DRIVE UNIT	1	1	No	No		SB

www.drunkparts.pl

Ref. No.	Part Code	Alternative	Description	ISP	Q'ty	Korea	Taiwan	Remarks	Service Bulletin
03-A01	5PLPXZ0AJK9		DR-27J DRIVE UNIT	1	1	No	No		SB
03-A02	5AAYLS66J*48		DRIVE GEAR ASSY	1		No	No		

www.drukparts.pl

4. Controller Box



List 4 - Controller Box

Ref. No.	Part Code	Alternative	Description	ISP	Q'ty	Korea	Taiwan	Remarks	Service Bulletin
04-002	5MVB876SB015		BRACKET PWB		1	Yes	Yes		
04-003	5MVB743SB004		BRACKET SIZE CASS B		1	Yes	Yes		
04-004	5MVX221RB005		FOOT	1	4	Yes	Yes		
04-005	5MMB982SD001		LID CONTROLLER		1	Yes	Yes		
04-007	5MVX332DN003		ACTUATOR SIZE CASS A		5	Yes	Yes		
04-010	5MMS636SD009		PLATE OPTION		2	No	Yes		
04-011	5MMX622LD001		PLATE RELEASE CONT		1	Yes	Yes		
04-012	5MVX433DB005		ACTUATER SIZE CASS B		1	Yes	Yes		
04-013	5MVB743SL001		RAIL OPTION L		2	Yes	Yes		
04-014	5MVB743SL002		RAIL OPTION R		2	Yes	Yes		
04-015	5AAPRIFR2008AH		P.W.BOARD ASSY		1	No	No	CONNECT KP-616	
04-015	5AAPRIFC2012AH		P.W.BOARD ASSY		1	Yes	Yes		
04-016	5MMT263SN012		SCREW OP		4	Yes	Yes		
04-017	5ESP01000100*01		PUSH SWITCH 1/2 5N		3	Yes	Yes		
04-018	5AACCNQL5GEA		CONN. CORD ASSY		1	No	No		
04-018	5AACCNQX0GEA		CONN. CORD ASSY		1	Yes	Yes		
04-019	5AAPRLGG4035AH		P.W.BOARD ASSY	1	1	No	No	MAIN	
04-019	5AAPRLGG4035BH		P.W.BOARD ASSY	1	1	No	No	MAIN	
04-019	5AAPRLGR2006AH		P.W.BOARD ASSY	1	1	No	No	MAIN	
04-019	5AAPRLGR2006BH		P.W.BOARD ASSY	1	1	No	No	MAIN	
04-019	5AAPRLGR4003AH		P.W.BOARD ASSY	1	1	No	No	MAIN	
04-019	5AAPRLGR4003BH		P.W.BOARD ASSY	1	1	No	No	MAIN	
04-019	5AAPRLGR4003CH		P.W.BOARD ASSY	1	1	No	No	MAIN	
04-019	5AAPRLGR4003EH		P.W.BOARD ASSY	1	1	No	No	MAIN	
04-019	5AAPRLGG4042AH		P.W.BOARD ASSY	1	1	No	Yes		
04-019	5AAPRLGG4042BH		P.W.BOARD ASSY	1	1	Yes	No		
04-020	5AAEZ		SWITCHING REGULATOR	1	1	No	No		
04-020	5AAEZ6700A*1		SWITCHING REGULATOR	1	1	No	No		
04-020	5AAEZ6700A*2		SWITCHING REGULATOR	1	1	No	No		
04-020	5AAEZ6700E*1		SWITCHING REGULATOR	1	1	No	No		
04-020	5AAEZ6900E*1		SWITCHING REGULATOR	1	1	No	No		
04-020	5AAEZ6950TW1		SWITCHING REGULATOR	1	1	No	Yes		
04-020	5AAEZLS66J*1		SWITCHING REGULATOR	1	1	No	No		
04-020	5AAEZ6700E+2		SWITCHING REGULATOR	1	1	Yes	No		
04-021	5AACCNQL6GEA		CONN. CORD ASSY		1	No	No		
04-021	5AACCNQV1GEA		CONN. CORD ASSY		1	Yes	Yes		YC-5591
04-022	5AAPRCZR2006AH		P.W.BOARD ASSY	1	1	No	No	ENGINE KP-614	
04-022	5AAPRCZR2006BH		P.W.BOARD ASSY	1	1	No	No	ENGINE KP-614	
04-022	5AAPRCZR2006CH		P.W.BOARD ASSY	1	1	No	No	ENGINE KP-614	

www.orukparts.com

Ref. No.	Part Code	Alternative	Description	ISP	Q'ty	Korea	Taiwan	Remarks	Service Bulletin
04-022	5AAPRCZR2006DH		P.W.BOARD ASSY	1	1	No	No	ENGINE KP-614	
04-022	5AAPRCZR2006EH		P.W.BOARD ASSY	1	1	No	No	ENGINE KP-614	
04-022	5AAPRCZR2006FH		P.W.BOARD ASSY	1	1	No	No	ENGINE KP-614	
04-022	5AAPRCZR2006GH		P.W.BOARD ASSY	1	1	No	No	ENGINE KP-614	
04-022	5AAPRCZR2006HH		P.W.BOARD ASSY	1	1	No	No	ENGINE KP-614	
04-022	5AAPRCZR2006JH		P.W.BOARD ASSY	1	1	No	No	ENGINE KP-614	
04-022	5AAPRCZR2006KH		P.W.BOARD ASSY	1	1	No	No	ENGINE KP-614	
04-022	5AAPRCZR2006LH		P.W.BOARD ASSY	1	1	No	No	ENGINE KP-614	
04-022	5AAPRCZR2006MH		P.W.BOARD ASSY	1	1	No	No	ENGINE KP-614	
04-022	5AAPRCZR2006NH		P.W.BOARD ASSY	1	1	No	No	ENGINE KP-614	
04-022	5AAPRCZR2006PH		P.W.BOARD ASSY	1	1	No	No		
04-022	5AAPRCZR2006QH		P.W.BOARD ASSY	1	1	No	No		
04-022	5AAPRCZR2006RH		P.W.BOARD ASSY	1	1	No	No	ENGINE KP-614	
04-022	5AAPRCZR2006SH		P.W.BOARD ASSY	1	1	No	No	ENGINE KP-614	
04-022	5AAPRCZR2006TH		P.W.BOARD ASSY	1	1	No	No	ENGINE KP-614	
04-022	5AAPRCZR2006UH		P.W.BOARD ASSY	1	1	No	No	ENGINE KP-614	
04-022	5AAPRCZR2006WH		P.W.BOARD ASSY	1	1	No	No	ENGINE KP-614	
04-022	5AAPRCZC2010AH		P.W.BOARD ASSY	1	1	No	Yes		
04-022	5AAPRCZC2010BH		P.W.BOARD ASSY	1	1	Yes	No		
04-025	5EZN2405002*01		FAN MOTOR	1	1	No	No		
04-025	5EZN2405003*01	5EZN2405002*01	FAN MOTOR	1	1	Yes	Yes		YC-5337
04-026	5MVX842SH004		COVER CABLE	1	1	Yes	Yes		
04-027	5AACCNQ9GEA		CONN. CORD ASSY	1	1	Yes	Yes		
04-029	5AACCNPT2GEA		CONN. CORD ASSY	1	1	No	No		
04-030	5AAPRMEG4019DH		P.W.BOARD ASSY	1	1	No	No	DIMM	
04-030	5AAPRMEG4019NH	5AAPEMEG4018NQ	P.W.BOARD ASSY	1	1	No	No	DIMM	
04-030	5AAPRMEG4019XH		P.W.BOARD ASSY	1	1	No	No	DIMM	
04-030	5AAPRMEG4019YH	5AAPRMEG4018PQ	P.W.B ASSY KP-610	1	1	No	No	DIMM	
04-030	5AAPRMEG40190H		P.W.B ASSY KP-610	1	1	No	No	DIMM	
04-030	5AAPRMEG4022CH		P.W.BOARD ASSY	1	1	No	No	DIMM	
04-030	5AAPRMEG4022DH		P.W.B ASSY KP-710	1	1	No	No	DIMM	
04-030	5AAPRMEG4018HQ		P.W.B ASSY	1	1	No	No	FLASH DIMM	YC-5911
04-030	5AAPRMEG4023GQ		P.W.B.ASSY KP-893B	1	1	Yes	Yes	FLASH DIMM	

www.drukparts.com

List 5 - Paper Feed Unit

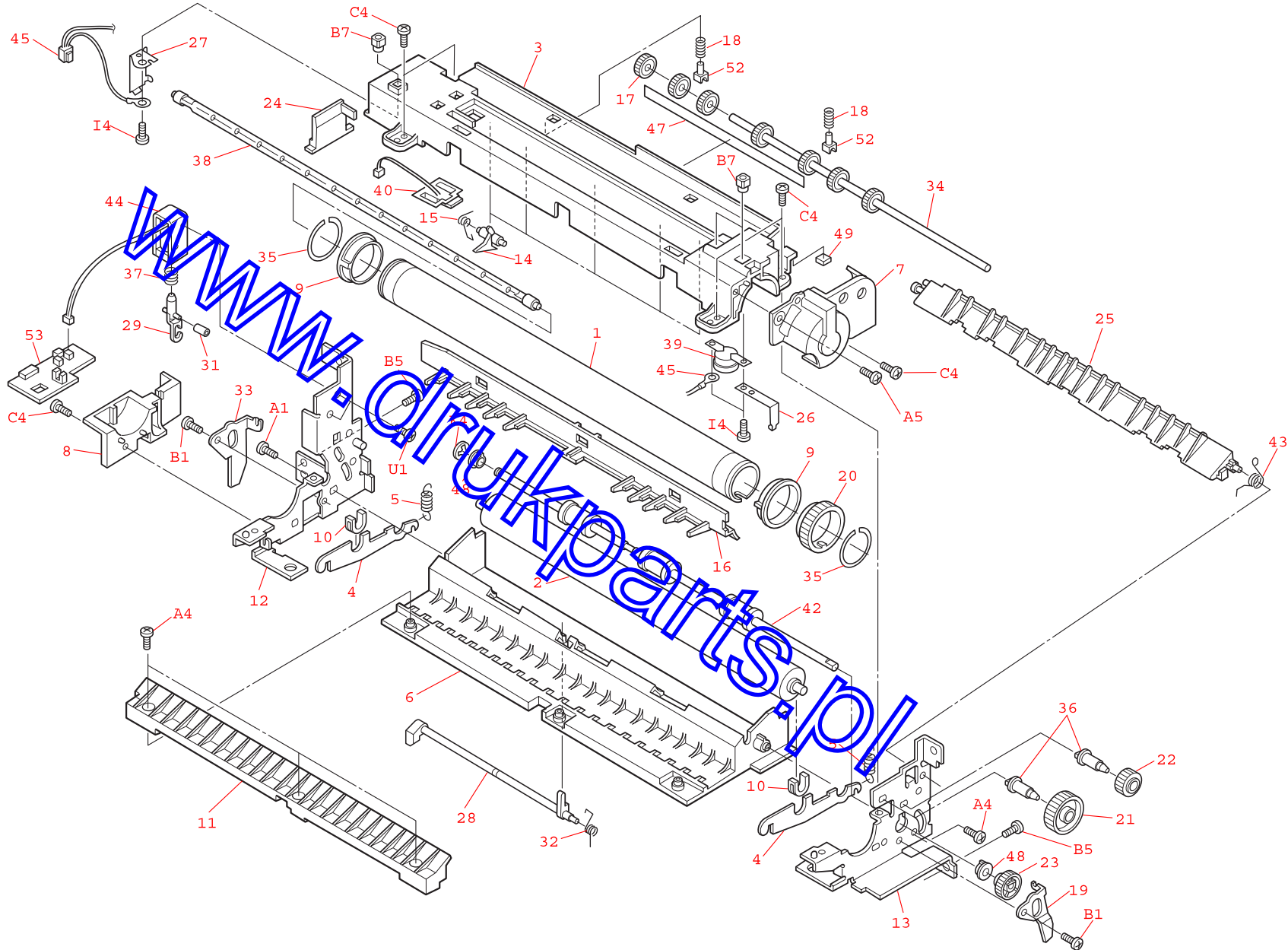
Ref. No.	Part Code	Alternative	Description	ISP	Q'ty	Korea	Taiwan	Remarks
05	5PLPZ3RAPKX	5AAYLS66J*37	FE-25 FEED TRANS UNIT	1	1	No	No	
05	5PLPX0A0JMT		FE-25 FEED TRANS UNIT (MITA)	1	1	No	No	
05	5PLPX3APKX		FE-25 FEED TRANS UNIT (OEM)	1	1	No	No	
05	5PLPZ8XAJK9	5AAY6300J*05	FE-26 FEED TRANS UNIT	1	1	No	No	
05	5PLPX8APKX		FE-26 FEED TRANS UNIT (OEM)	1	1	No	No	
05	5PLPZ4YAJK9	5AAY6800J*14	FE-27 FEED TRANS UNIT	1	1	No	No	
05	5PLPX01AEMT		FE-27 FEED TRANS UNIT (MITA)	1	1	No	No	
05	5PLPXF2APKX		FE-27 FEED TRANS UNIT (OEM)	1	1	No	No	
05-001	5MMT876SN058		ROLLER REGIST LOW	1	1	Yes	Yes	
05-001	5MMT876SN070		ROLLER REGIST LOW B	1	1	No	No	
05-002	5MMT876SN059		ROLLER REGIST UP	1	1	Yes	Yes	
05-003	5MVG148DB032		GEAR REGIST Z32	1	1	Yes	Yes	
05-004	5MVG137DB064		GEAR REGIST Z24	1	1	Yes	Yes	
05-006	5MVM276DB011		BUSH REGIST A	1	2	Yes	Yes	
05-007	5MMW172SX005		SPRING REGIST R	1	1	Yes	Yes	
05-008	5MMW172LD008		SPRING REGIST L			Yes	Yes	
05-009	5MVM176DN019		BUSH POM A			Yes	Yes	
05-010	5MMT886SN016		ROLLER TRANSFER			No	No	
05-010	5MMT886SN022		ROLLER TRANSFER	1	1	No	No	
05-010	5MMT886SN024		ROLLER TRANSFER B	1	1	No	No	
05-010	5MMT886SN030		ROLLER TRANSFER	1	1	Yes	Yes	
05-011	5MVG138DB064		GEAR TC Z25	1	1	Yes	Yes	
05-012	5MVX331DB007		BUSH TRANSFER	1	2	No	No	
05-012	5MVX331DB008		BUSH TRANSFER B		2	Yes	Yes	
05-013	5MMW241SX004		SPRING TRANS L	1	1	Yes	Yes	
05-014	5MMW241SX005		SPRING TRANS R	1	1	No	No	
05-014	5MMW255LD002		SPRING BUSH		1	Yes	Yes	
05-015	5MMW161LD039		SPRING HINGE L	1	1	Yes	Yes	
05-016	5MVB832XB001		PAPER CHUTE	1	1	Yes	Yes	
05-017	5MVX862SB004		GUID PAPER	1	1	Yes	Yes	
05-018	5MVX721SB002		ACTUATOR FEED	1	1	Yes	Yes	
05-018	5AAYLS66J*45		SENSOR DOG ASSY	1	1	Yes	Yes	
05-019	5MVX743DB001		ACTUATOR EMPTY	1	1	Yes	Yes	
05-020	5AAVROLL*027		FEED ROLLER ASSY	1	1	No	No	
05-020	5AAVROLL*039		FEED ROLLER ASSY	1	1	Yes	Yes	
05-021	5MVG137DB068		GEAR FEED Z24S	1	1	Yes	Yes	
05-022	5MVM410DB001		HOLDER ROLLER FEED	1	1	Yes	Yes	
05-023	5MVM177DW002	5MVM177DW004	BUSH FEED		2	No	No	
05-023	5MVM177DW004		BUSH FEED		2	Yes	Yes	

www.druckparts.pl

Ref. No.	Part Code	Alternative	Description	ISP	Q'ty	Korea	Taiwan	Remarks
05-024	5MVM687DB001		ROLLER GUIDE		3	Yes	Yes	
05-025	5MMT866SN027		SHAFT FEED		1	Yes	Yes	
05-026	5MMT866SN029		SHAFT RELEASE		1	Yes	Yes	
05-027	5MVX742DB001		LINK LOCK		1	Yes	Yes	
05-028	5MMW161LD040		SPRING HINGE R		1	Yes	Yes	
05-029	5MVX664SW002		LEVER LOCK	1	1	Yes	Yes	
05-030	5MMX643LD003		PLATE EARTH TC		1	Yes	Yes	
05-031	5MVG138DB060		GEAR IDLE Z26	1	2	Yes	Yes	
05-032	5MVM121DB001		COLLAR JOINT		2	Yes	Yes	
05-033	5MVX643DB004		GUIDE FEED B		1	Yes	Yes	
05-034	5MVX643DN001		GUIDE PAPER FEED		2	Yes	Yes	
05-035	5MMW241LD016		SPRING GUIDE		2	Yes	Yes	
05-036	5MVS822KF010		SHIELD REG ST		1	Yes	Yes	
05-037	5AAY6500J*74		BRUSH TOP ASSY	1	1	No	No	
05-037	5AAYL566J*47		BRUSH TOP ASSY	1	1	Yes	Yes	
05-038	5MVX332DB011		GUIDE FEED		2	Yes	Yes	
05-040	5MMU862SD005		PLATE PAPER GUIDE		1	Yes	Yes	
05-044	5MMS211AX001		SEAL ACTUATOR		2	Yes	Yes	
05-050	5MVX333DN002		CAM M/P B		1	Yes	Yes	
05-051	5MMW461SC001		SPRING M/P BOTTOM		1	Yes	Yes	
05-052	5MVX322SB019		BRACKET BOTTOM		1	Yes	Yes	
05-053	5MVS517XF002		PAD BOTTOM		1	Yes	Yes	
05-054	5MMZ721SD001		PLATE EARTH M/P		1	Yes	Yes	
05-055	5MML443LD002		PLATE EARTH FEED		1	Yes	Yes	
05-056	5MMW361LD013		SPRING SEPARATOR		1	Yes	Yes	
05-057	5MMU851SC001		BOTTOM M/P		1	No	No	
05-057	5MMU851SC002		BOTTOM M/P		1	Yes	Yes	
05-058	5MMW671SC001		SPRING BOTTOM M/P		1	Yes	Yes	
05-060	5MVM176DB008		BUSHING STOP	1	2	Yes	Yes	
05-064	5MMW261LD022		SPRING FUSER		1	Yes	Yes	
05-065	5MVX532DB005		LOCK M/P		1	Yes	Yes	
05-066	5MVX421DB007		HINGE LOCK L	1	1	Yes	Yes	
05-068	5MVVL761WN41	5MVVL761WN58	LABEL CAUTION FE		1	No	No	
05-068	5MVVL661WN33		LABEL CAUTION FE C		1	Yes	Yes	
05-A01	5AAYL566J*09		BASE FEED ASSY		1	No	No	
05-A03	5AAYL566J*40		SEPARATOR M/P ASSY		1	Yes	Yes	

www.druckparts.pl

6. Fuser Unit

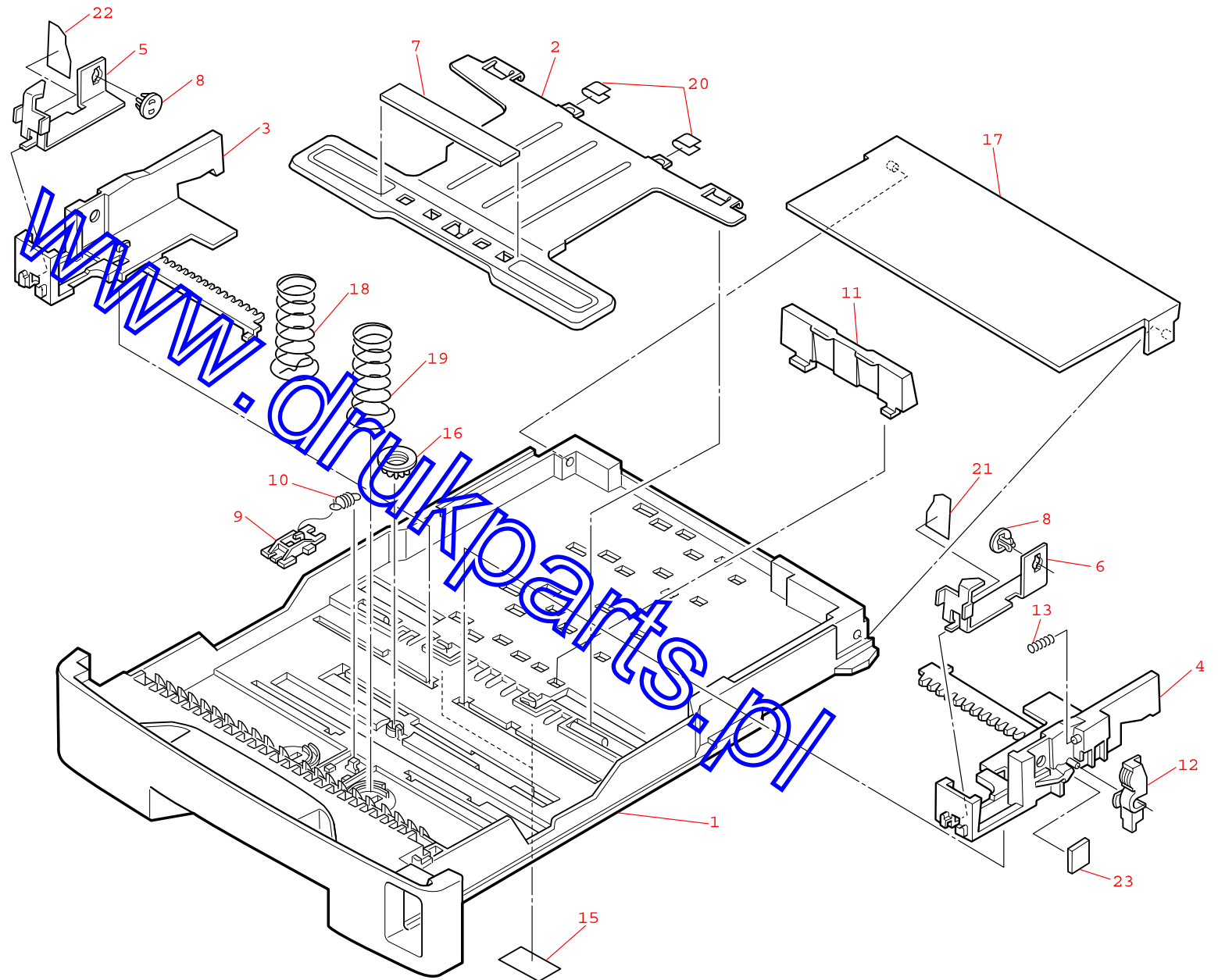


List 6 - Fuser Unit

Ref. No.	Part Code	Alternative	Description	ISP	Q'ty	Korea	Taiwan	Remarks
06	5PLPZ4KAEKE		FK-25 (E) FUSER UNIT	1	1	No	No	
06	5PLPZ5KAAK1		FK-25 (U) FUSER UNIT	1	1	No	No	
06	5PLPZ3FAJK9		FK-25 (J) FUSER UNIT	1	1	No	No	
06	5PLPXL5AJMT		FK-25 (J) FUSER UNIT (MITA)	1	1	No	No	
06	5PLPXE1APKX		FK-25 (E) FUSER UNIT (OEM)	1	1	No	No	
06	5PLPXA4A0LE		FK-26 (U) FUSER UNIT	1	1	No	No	
06	5PLPXE6APKX		FK-26 (E) FUSER UNIT (OEM)	1	1	No	No	
06	5PLPZ7XAJK9	5AAY6300J*09	FK-26 (J) FUSER UNIT	1	1	No	No	
06	5PLPX38AEKE	5AAY6900E*05	FK-27 (E) FUSER UNIT	1	1	No	No	
06	5PLPX39AAK1	5AAY6900J*03	FK-27 (U) FUSER UNIT	1	1	No	No	
06	5PLPZ3YAJK9	5AAY6800J*06	FK-27 (J) FUSER UNIT	1	1	No	No	
06	5PLPXL6AEMT		FK-27 (E) FUSER UNIT (MITA)	1	1	No	No	
06	5PLPXF0APKX		FK-27 (E) FUSER UNIT (OEM)	1	1	No	No	
06-020	5MVG158XN003		GEAR HEAT Z15	1		Yes	Yes	
06-021	5MVG148XN005		GEAR JOINT Z36	1		Yes	Yes	
06-022	5MVG127DW004		GEAR IDLE Z16	1		Yes	Yes	
06-023	5MVG137DW002		GEAR EXIT Z21	1		Yes	Yes	
06-023	-		LAMP HEATER 100V	1	1	No	No	
06-038	5EZPB1015020601		LAMP HEATER@100V	1	1	No	No	100V
06-038	5EZPB1018020601		LAMP HEATER 100V	1	1	No	No	100V
06-038	5EZPB1216720104		LAMP HEATER 120V	1	1	No	Yes	120V
06-038	5EZPB1214220501		LAMP HEATER 120V	1	1	No	No	120V
06-038	5EZPB2413320104		LAMP HEATER 240V	1	1	Yes	No	240V
06-038	5EZPB2412120601		LAMP HEATER 240V	1	1	No	No	240V
06-038	5EZPB241		LAMP HEATER 240V	1	1	No	No	
06-039	5EYFFQ17501Q*01		THERMOSTAT 250V175?C	1		Yes	Yes	
06-040	5AAXTM012GEA		THERMISTOR ASSY	1		Yes	Yes	
06-044	5EZSA2401020307		SOLENOID TDS-KN07A	1		Yes	Yes	
06-045	5AACCNQM1GEA		CONN. CORD ASSY	1		No	No	
06-045	5AACCNQS0GEA		CONN. CORD ASSY	1		Yes	No	
06-045	5AACCNQS1GEA		CONN. CORD ASSY	1		No	Yes	

www.drukparts.pl

7. Paper Cassette

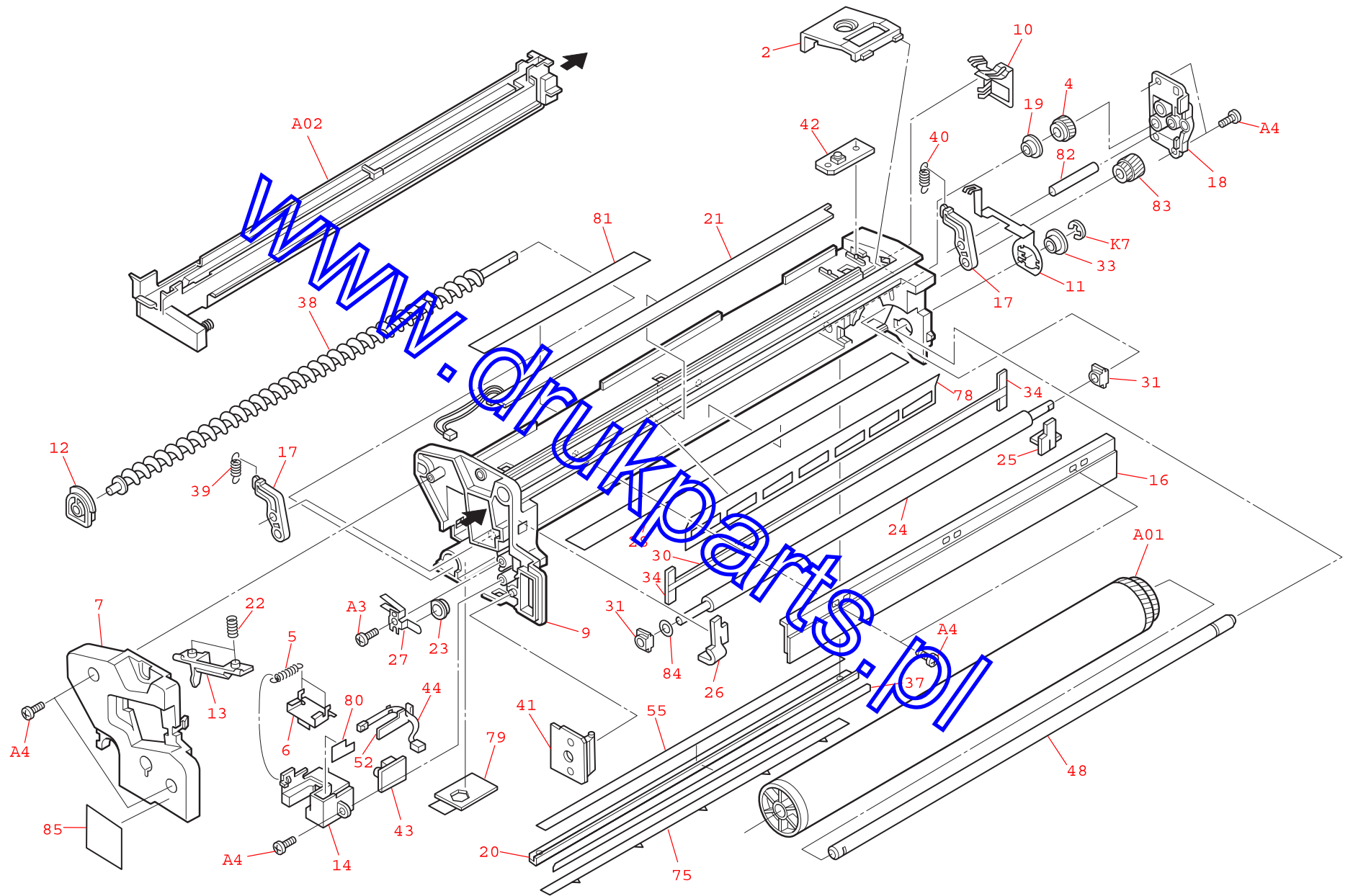


List 7 - Paper Cassette

Ref. No.	Part Code	Alternative	Description	ISP	Q'ty	Korea	Taiwan	Remarks
07-001	5MVB995SH001		BASE CASSETTE		1	Yes	Yes	
07-002	5MMX882SD001		BOTTOM CASSETTE		1	Yes	Yes	
07-003	5MVX775SH008		GUIDE CASSETTE L		1	Yes	Yes	
07-004	5MVX775SH007		GUIDE CASSETTE R		1	Yes	Yes	
07-005	5MML634SW002		NAIL L		1	Yes	Yes	
07-006	5MML634SW001		NAIL R		1	Yes	Yes	
07-007	5MVS726XN001		PAD SEPARATOR		1	Yes	Yes	
07-008	5MVM176DN025		PIN NAIL		2	Yes	Yes	
07-009	5MVX421DW001		LOCK BOTTOM		1	Yes	Yes	
07-010	5MMW411LD002		SP STOPPER BOTTOM		1	Yes	Yes	
07-011	5MVB742SH003		STOPPER CASS SIZE		1	Yes	Yes	
07-012	5MVX521SH002		LEVEL LOCK		1	Yes	Yes	
07-013	5MMW251LD031		SPRING LEVER SIDE		1	Yes	Yes	
07-016	5MVG127DH002		GEAR GUIDE SIDE		1	Yes	Yes	
07-017	5MVB873SH027		LID CASSETTE		1	Yes	Yes	
07-018	5MMW681LD003		SPRING CASSETTE L		1	No	No	
07-018	5MMW681LD009		SPRING CASSETTE L		1	No	Yes	
07-018	5MMW681LD006		SPRING CASSETTE L		1	Yes	No	
07-019	5MMW681LD004		SPRING CASSETTE R		1	No	No	
07-019	5MMW681LD010		SPRING CASSETTE R		1	No	Yes	
07-019	5MMW681LD007		SPRING CASSETTE R		1	Yes	No	
07-020	5MVS321KF039		SHEET PLATE BOTTOM		2	Yes	Yes	
07-021	5MVS432KF006		SHEET NAIL L		1	Yes	Yes	
07-022	5MVS432KF007		SHEET NAIL R		1	Yes	Yes	
07-023	5MVS432KF005		SHEET GUIDE		1	Yes	Yes	

www.orukparts.pl

8. Drum Unit



List 8 - Drum Unit

Ref. No.	Part Code	Alternative	Description	ISP	Q'ty	Korea	Taiwan	Remarks
08	5PLPZ2KAEKX		DK-25 DRUM UNIT	1	1	No	No	
08	5PLPZ5FAJK9		DK-25 DRUM UNIT	1	1	No	No	
08	5PLPXK9AJMT		DK-25 DRUM UNIT (MITA)	1	1	No	No	
08	5PLPXD9APKX		DK-25 DRUM UNIT (OEM)	1	1	No	No	
08	5PLPXEWA0LE		DK-25 DRUM UNIT (TWN)	1	1	No	No	
08	5PLPXA2A0LE		DK-26 DRUM UNIT	1	1	No	No	
08	5PLPZ0YAJK9	5AAY6300J*07	DK-26 DRUM UNIT	1	1	No	No	
08	5PLPXE4APKX		DK-26 DRUM UNIT (OEM)	1	1	No	No	
08	5PLPX37AEKE		DK-27 DRUM UNIT	1	1	No	No	
08	5PLPZZYAJK9	5AAY6800J*07	DK-27 DRUM UNIT	1	1	No	No	
08	5PLPXLOAEMT		DK-27 DRUM UNIT (MITA)	1	1	No	No	
08	5PLPXE9APKX		DK-27 DRUM UNIT (OEM)	1	1	No	No	
08-016	5AAVBLADE029		BLADE ASSY		1	No	No	
08-016	5AAVBLADE033		BLADE ASSY		1	Yes	Yes	
08-A02	5AAYLS66J*18		MCH ASSY	1	1	Yes	Yes	
08-A02	5AAY6700E*10		MAIN CHAGER UNIT		1	No	No	
08-A02	5AAYLS66J+18		MAIN CHAGER UNIT		1	Yes	Yes	

www.drukparts.pl

9. Laser Scanner Unit

LSU is supplied as a kit. See the list on next page.

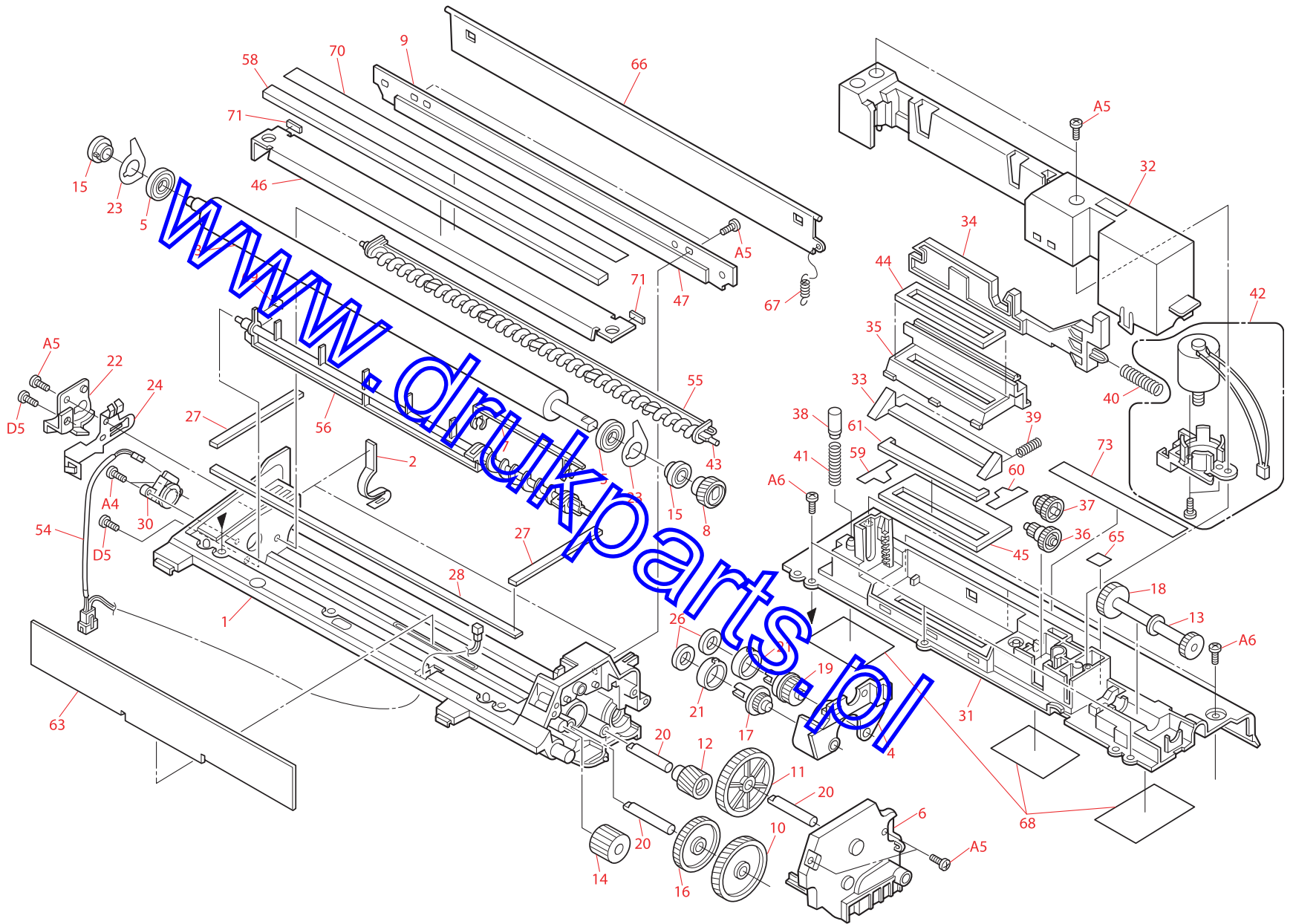
www.drukparts.pl

List 9 - Laser Scanner Unit

Ref. No.	Part Code	Alternative	Description	ISP	Q'ty	Korea	Taiwan	Remarks
09	5PLPZ6KAEKX		LK-25 SCANNER UNIT	1	1	No	No	
09	5PLPZ3JA0LE		LK-25 SCANNER UNIT (TWN)	1	1	No	No	
09	5PLPXM2AJMT		LK-25 SCANNER UNIT (MITA)	1	1	No	No	
09	5PLPXE2APKX		LK-25 SCANNER UNIT (OEM)	1	1	No	No	
09	5PLPZ9XAJK9	5AAY6300J*06	LK-26 SCANNER UNIT	1	1	No	No	
09	5PLPXE7APKX		LK-26 SCANNER UNIT (OEM)	1	1	No	No	
09	5PLPZ1YAJK9	5AAY6800J*04	LK-27 SCANNER UNIT	1	1	No	No	
09	5PLPXM3AEMT		LK-27 SCANNER UNIT (MITA)	1	1	No	No	
09	5PLPXF1APKX		LK-27 SCANNER UNIT (OEM)	1	1	No	No	

www.drukparts.pl

10. Developer Unit

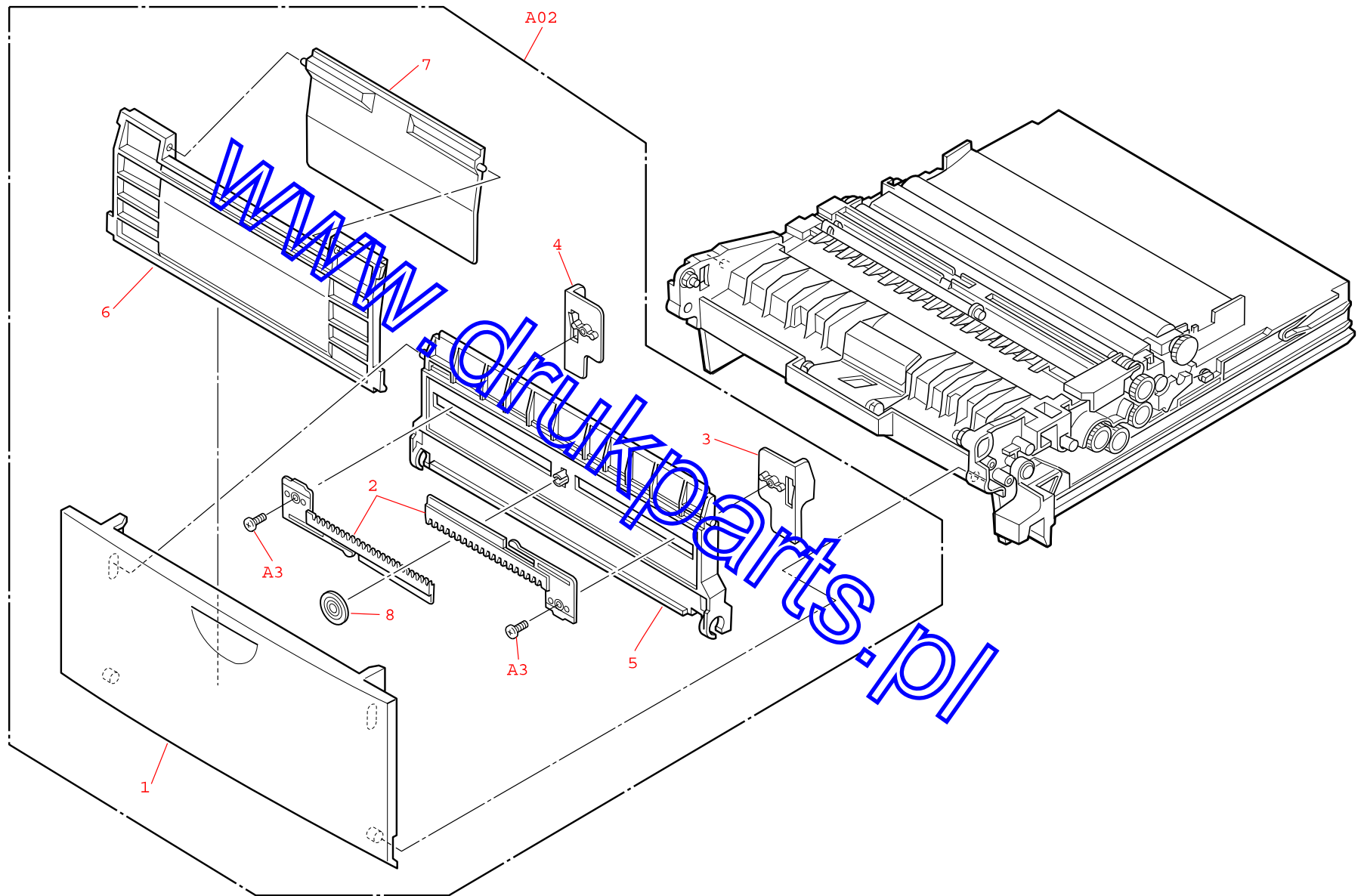


List 10 - Developer Unit

Ref. No.	Part Code	Alternative	Description	ISP	Q'ty	Korea	Taiwan	Remarks
10	5PLPZ3KAEKX	5AAYLS66J*33	DV-25 DEVELOPER UNIT	1	1	No	No	
10	5PLPZ6FAJK9		DV-25 DEVELOPER UNIT	1	1	No	No	
10	5PLPXR4AEMT		DV-25 DEVELOPER UNIT (MITA)	1	1	No	No	
10	5PLPXW4AJMT		DV-25 DEVELOPER UNIT (MITA)	1	1	No	No	
10	5PLPXE0APKX		DV-25 DEVELOPER UNIT (OEM)	1	1	No	No	
10	5PLPXPHAJJN		DV-25 DEVELOPER UNIT	1	1	No	No	
10	5PLPXA3A0LE		DV-26 DEVELOPER UNIT	1	1	No	No	
10	5PLPZ5YAJK9	5AAY6300J*03	DV-26 DEVELOPER UNIT	1	1	No	No	
10	5PLPXE5APKX		DV-26 DEVELOPER UNIT (OEM)	1	1	No	No	
10	5PLPXR8AEKX		DV-25 DEVELOPER UNIT	1	1	No	No	
10	5PLPXR7A0KX		DV-25 DEVELOPER UNIT (OEM)	1	1	No	No	
10-036	5MVG026DN001		WORK WHEEL P36-Z14	1		Yes	Yes	
10-037	5MVG137DB056		GEAR IDLE Z30-Z15	1		Yes	Yes	
10-042	5AAY1700E*38		TONER MOTOR (BS)	1		Yes	Yes	
10-054	5AACCNPS2GEA		CONN. CORD ASSY	1		Yes	Yes	

www.drukparts.pl

11. Tray MP Assembly



List 11 - Tray MP Assembly

Ref. No.	Part Code	Alternative	Description	ISP	Q'ty	Korea	Taiwan	Remarks
11-001	5MVB873SH026		COVER M/P		1	Yes	Yes	
11-002	5MVS748SH004		RACK M/P		2	Yes	Yes	
11-003	5MVX652SH002		GUIDE M/P R		1	Yes	Yes	
11-004	5MVX652SH003		GUIDE M/P L		1	Yes	Yes	
11-005	5MVX872SH003		TRAY M/P A		1	Yes	Yes	
11-006	5MVB872SH017		TRAY M/P B		1	Yes	Yes	
11-007	5MVS771SH001		TRAY M/P C		1	Yes	Yes	
11-008	5MVG127DN053		GEAR M/P		1	Yes	Yes	
11-A01	5AAVCOVER213		M/P COVER ASSY	1	1	No	No	
11-A01	5AAVCOVER214		M/P COVER ASSY	1	1	Yes	Yes	
11-A01	5AAVCOVER260		M/P COVER ASSY	1	1	No	No	

www.drukparts.pl

12. Miscellaneous

Ref. No.	Part Code	Alternative	Description	ISP	Q'ty	Korea	Taiwan	Remarks
A-001	5AACAC388BSA	5AACAC458BSA	AC CORD ASSY		1	No	No	
A-001	5AACAC393ULA		AC CORD ASSY		1	No	Yes	
A-001	5AACAC404ASA		AC CORD ASSY		1	No	No	
A-001	5AACAC427JAA	5AACAC444JAA	AC CORD ASSY		1	No	No	
A-001	5AACAC428EEA	5AACAC476EEA	AC CORD ASSY		1	Yes	No	
A-001	5AACAC444JAA		AC CORD ASSY		1	No	No	
A-001	5AACAC458BSA		AC CORD ASSY		1	No	No	
A-002	5PLPZ8PZZK1		PC-26(U)		1	No	No	
A-002	5PLPZ9AAJK9		PC-26		1	No	No	
A-002	5AAVCASET250		CASSETTE ASSY TWN		1	No	Yes	
A-002	5AAVCASET231		CASSETTE ASSY CHU		1	Yes	No	
P-001	5AAKLS67MJ01		PACKING ASSY		1	No	No	
P-001	5AAK		PACKING ASSY		1	No	No	
P-001	5AAK6300J*01		PACKING ASSY		1	No	No	
P-001	5AAK6300AM01		PACKING ASSY		1	No	No	
P-001	5AAK6700A*01		PACKING ASSY		1	No	No	
P-001	5AAK6700CH01		PACKING ASSY		1	No	No	
P-001	5AAK6700E*01		PACKING ASSY		1	No	No	
P-001	5AAK67TW**01		PACKING ASSY		1	No	No	
P-001	5AAK6950TW02		PACKING ASSY		1	No	No	
P-001	5AAKLS66J*01		PACKING ASSY		1	No	No	
P-001	5AAKLS67SJ01		PACKING ASSY		1	No	No	
P-001	5AAK6800J*01		PACKING ASSY		1	No	No	
P-001	5AAK6800RS02		PACKING ASSY		1	No	No	
P-001	5AAKA81TW+01		PACKING ASSY			No	Yes	
P-001	5AAKA81CH+01		PACKING ASSY			Yes	No	
P-002	5KKSLS67MJ01		OUTER CARTON		1	No	No	
P-002	5KKS6800J*01		OUTER CARTON		1	No	No	
P-002	5KKS6700E*01		OUTER CARTON		1	No	No	
P-002	5KKS6700A+01		OUTER CARTON		1	No	No	
P-002	5KKS6300AM01		OUTER CARTON		1	No	No	
P-002	5KKS6700CH01		OUTER CARTON		1	No	No	
P-002	5KKS6900E*01		OUTER CARTON		1	No	No	
P-002	5KKS6950TW01		OUTER CARTON		1	No	No	
P-002	5KKSLS67SJ01		OUTER CARTON		1	No	No	
P-002	5KKS6800J+01		OUTER CARTON		1	No	No	
P-002	5KKS6300J+01		OUTER CARTON		1	No	No	
P-002	5KKS6800RS01		OUTER CARTON		1	No	No	
P-002	5KKS81TW+01		OUTER CARTON		1	No	Yes	

www.drukparts.pl

Ref. No.	Part Code	Alternative	Description	ISP	Q'ty	Korea	Taiwan	Remarks
P-002	5KKS81CH+01		OUTER CARTON		1	Yes	No	
	5PLPXJCAPKX		DK-29 DRUM UNIT	1	1	Yes	Yes	
	5PLPXJDAKCN		DV-27 DEVELOPER UNIT (CHU)	1	1	Yes	No	
	5PLPXJEA0LE		DV-27 DEVELOPER UNIT (TWN)	1	1	No	Yes	
	5PLPXJGAKCN		FK-29 (CHU) FUSER UNIT	1	1	Yes	No	
	5PLPXJHA0LE		FK-29 (TWN) FUSER UNIT	1	1	No	Yes	
	5PLPXJFAPKX		LK-29 SCANNER UNIT	1	1	Yes	Yes	
	5PLPXJKAPKX		FE-29 FEED TRANS UNIT	1	1	Yes	Yes	
	5PLPXJJAPKX		DF-29 DRIVE UNIT	1	1	Yes	Yes	
	5PLPZWKAPKE		TB-20 TONER BOTTLE		1	Yes	Yes	
	5MMW261LD032		SPRING SEPARATOR			Yes	Yes	

www.drukparts.pl