



PAGE PRINTER

FS-6500 / FS-6500+



PARTS CATALOGUE

11-11-1998

FS-6500 / FS-6500+ Parts Catalogue

Table of Contents

Frame Unit (Fig.1).....	3
Enclosure Unit (Fig.2).....	5
Developer Unit (Fig.3).....	7
Fuser Unit (Fig.4).....	9
Controller Unit (Fig.5).....	11
Drum LED Head Unit (Fig.6).....	13
Feed Trans Unit (Fig.7).....	16
Drive Unit (Fig.8).....	19
Paper Cassette (Fig.9).....	21

Introduction

The figures which follow depict the major assemblies of the printer or option, broken down into components. Following each figure are the list giving the following information:

- 'Ref No.' Reference number which corresponds to the parts in the figure
- 'Part code'..... Part code which identifies the part
- 'Part description' A brief description of the part
- 'Quantity'..... Quantity of the part used in the printer or option

Only the parts highlighted in BOLD should be ordered. All other parts are for reference only and are not stocked.

Consumables and Maintenance Kits

TK-12	Toner Kit
G-2	Grid Cleaner
MK-5 / MK-	Maintenance Kit (300K pages)
	Drum
	Developer
	Fuser
	Drive Assy
	Feed Trans Assy

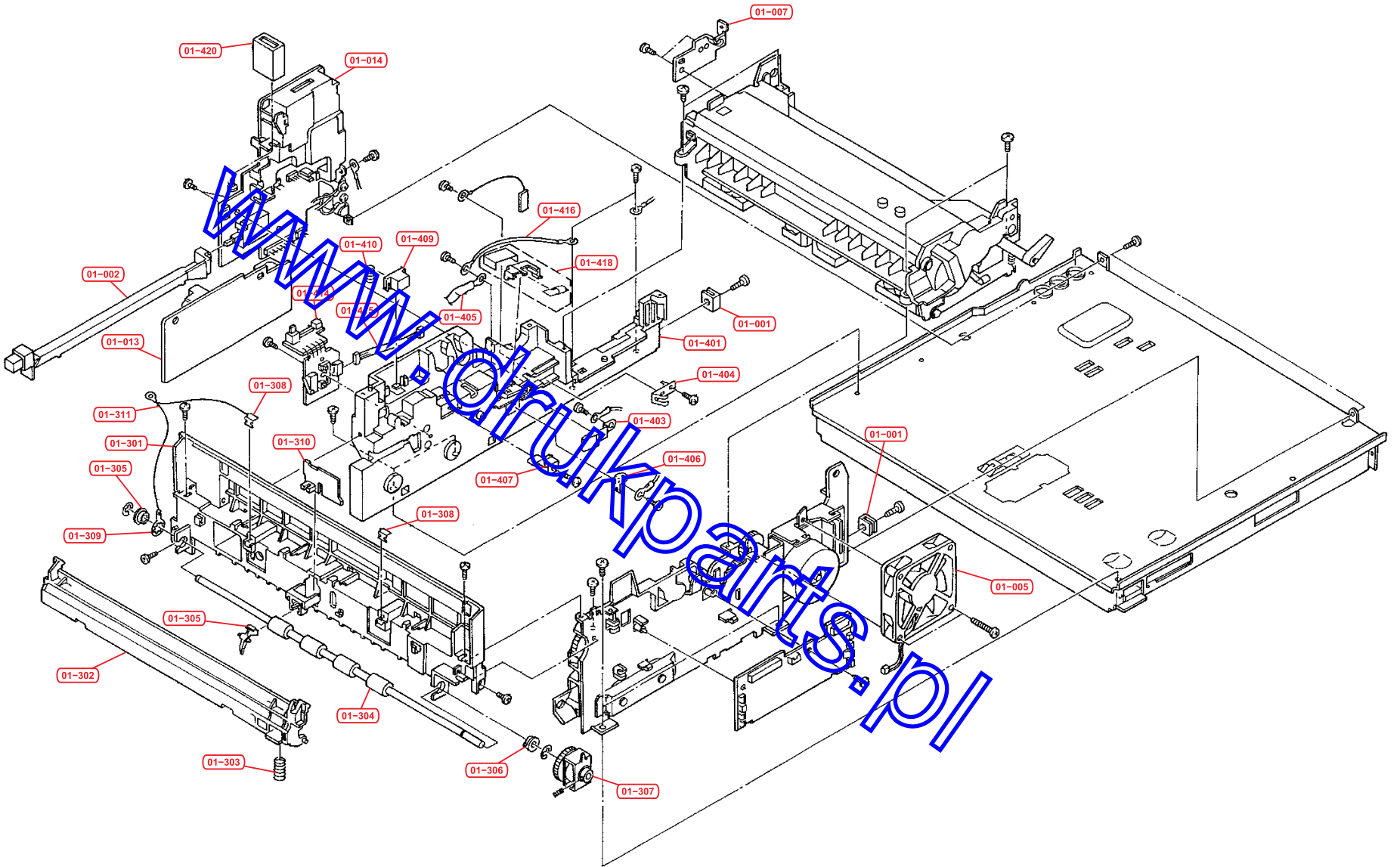
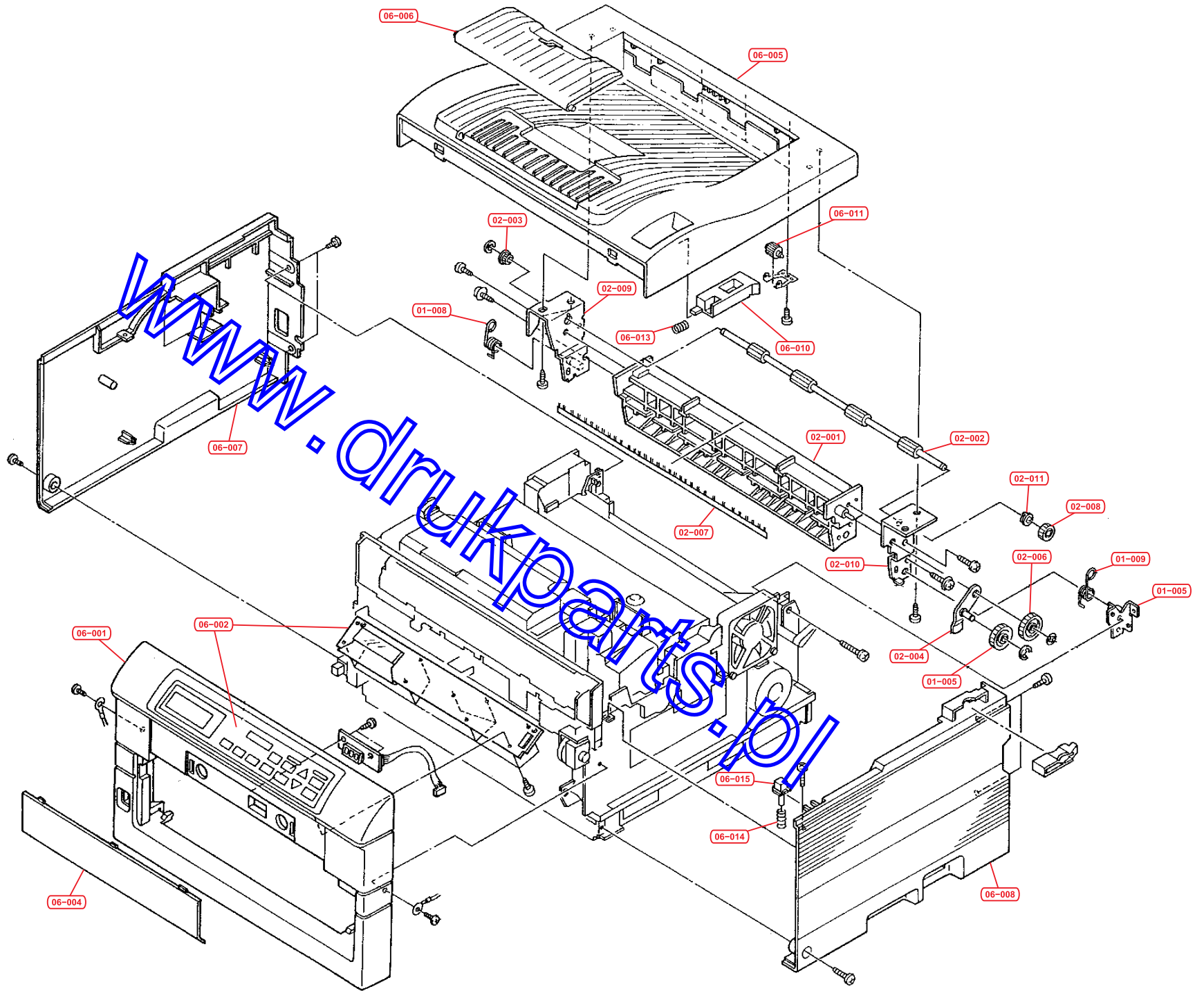


Fig.1 - Frame Unit

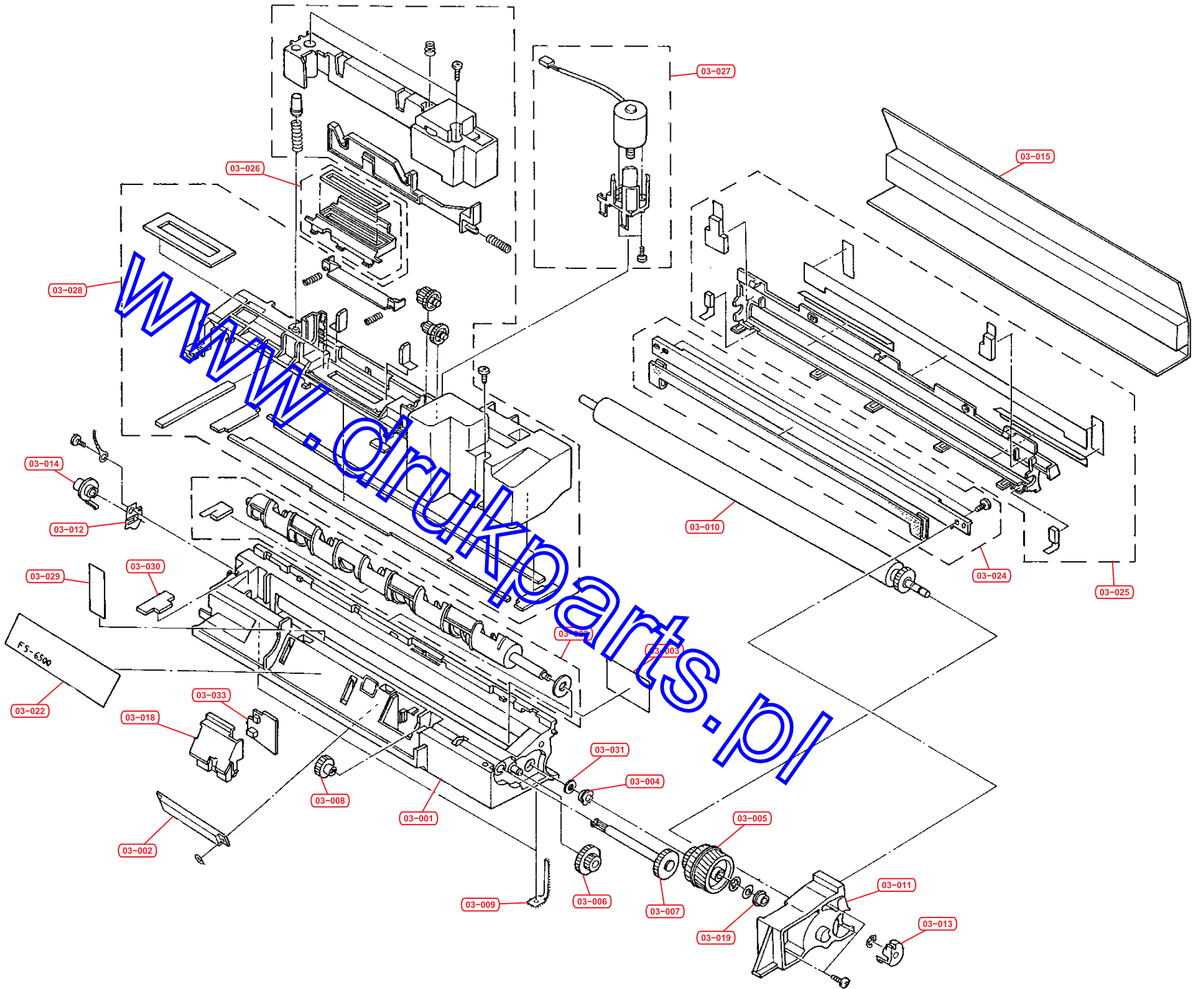
Ref No.	Part Code	Description	Quantity
01-001	5MMU211SD007	CASE STOPPER	2
01-002	5MVX832SW001	ROD SW POWER	1
01-003	5AAY6500J*60	FRONT FRAME ASSY	1
01-004	5AAY6500J*61	LEFT FRAME ASSY	1
01-005	5EZNF2402501*03	FAN MOTOR	1
01-006	5MMS443SL001	PLATE HINGE R	1
01-007	5MMS643SL001	PLATE HINGE L	1
01-008	5MMW567LD002	SPRING FD L	1
01-009	5MMW567LD003	SPRING FD R	1
01-010	5MVS321KF016	SHEET FRAME A	2
01-011	5AACCNNS2GEA	CON CORD ASSY	1
01-012	5AACCNW8GEA	CON CORD ASSY	1
01-013	5AAXTR033VDA	TRANS ASSY	1
01-014	5AAPRPWC1004GH	PWB ASSY	1
01-025	5EYBF4601200101	FERRIE CODE	1
01-301	5MVX976SB001	CHANNEL FRONT	1
01-302	5MVX864SB009	LATCH COVER	1
01-303	5MMW261LD007	SPRING LATCH	1
01-304	5MMT976SN005	ROLLER MANUAL UP	1
01-305	5MVX322SB012	ACTUATOR MANUAL	1
01-306	5MVM176DN018	BUSH MANUAL	2
01-307	5EYYAFAAQ01**02	CLUTCH FEED	1
01-308	5MML121LD003	PLATE EARTH EF	2
01-309	5MML232LD002	PLATE EARTH MANUAL	1
01-310	5AAPRSSC1006EH	PWB ASSY	1
01-311	5AACCNV8GEA	CONN. CORD ASSY	1
01-313	5MVM176DN016	BUSH A	2
01-401	5MVX876CB002	FRAME LEFT	1
01-403	5MMU411LD001	PLATE RECEPTACLE A	1
01-404	5MMZ142LD002	PLATE RECEPTACLE B	1
01-405	5AAXRD012GEA	HIGH MEG R ASSY	1
01-406	5MMU311LD002	PLATE EARTH SPRING	1
01-407	5MMZ221LD004	LOCK DLP	1
01-409	5MVB322SB004	GUIDE SENSOR	1
01-410	5MMW161LD022	SPRING GUIDE	1
01-414	5AAPRSSC1010AH	AC PWB ASSY	1
01-415	5AACCNNS1GEA	CONN. CORD ASSY	1
01-416	5AACCNNT5GEA	CONN. CORD ASSY	1
01-417	5AACCNNT4GEA	CONN. CORD ASSY	1
01-418	5AAY3400E*19	DRUM THERMISTOR ASSY	1
01-420	5AAXCB003GEA	W74 COUNTER ASSY	1
01-00X	5AAPRIFC1004AH	CONNECTOR BOARD	1

Fig.2 - Enclosure Unit



Ref No.	Part Code	Description	Quantity
06-001	5MVB984SH005	COVER FRONT	1
06-002	5AAFZ6500E*1	KEYBOARD ASSY(FS-6500)	1
06-002	5AAFZ6500NE1	KEYBOARD ASSY(FS-6500+)	1
06-004	5MVX862SH004	LID COVER FRONT	1
06-005	5MVB986SH021	COVER TOP	1
06-006	5MVB762SH024	TRAY FACE DOWN	1
06-007	5MVB883SH030	COVER LEFT	1
06-008	5MVB883SH029	COVER RIGHT	1
06-009	5MVVS6500E*1	SER NO. PLATE	1
06-010	5MVN260SH001	KNOB RELEASE	1
06-011	5MVM273DB002	PULLEY FD	4
06-013	5MMW266LD002	SPRING KNOB	1
06-014	5MMW561LD001	SPRING COVER	1
06-015	5MVM476SW001	CAP PRESS COVER	1
06-016	5MMW361LD006	SPRING POWER	1
06-017	5MVVL871WN12	LABEL DIAGRAM	1
06-019	5MMX322LD011	BKT PULLEY FD	4
06-020	5AAPRZZC2004CH	PWB ASSY	1
02-001	5MVX866SH010	GUIDE FD	1
02-002	5MMT875LD003	ROLLER FD	1
02-003	5MVM176DB008	BUSHING STOP	1
02-004	5MMX632SL008	PLATE FD JOINT	1
02-005	5MVG138DB020	GEAR FD Z30	1
02-006	5MVG148DB010	GEAR FEED Z34	1
02-007	5MVS813AQ001	BRUSH DISCHARGER	1
02-008	5MVG127DB039	GEAR EXIT Z18	1
02-009	5MMZ665SL001	PLATE FD HINGE L	1
02-010	5MMZ665SL002	PLATE FD HINGE R	1
02-011	5MMM176CJ005	BUSHING SBK	1

Fig.3 - Developer Unit

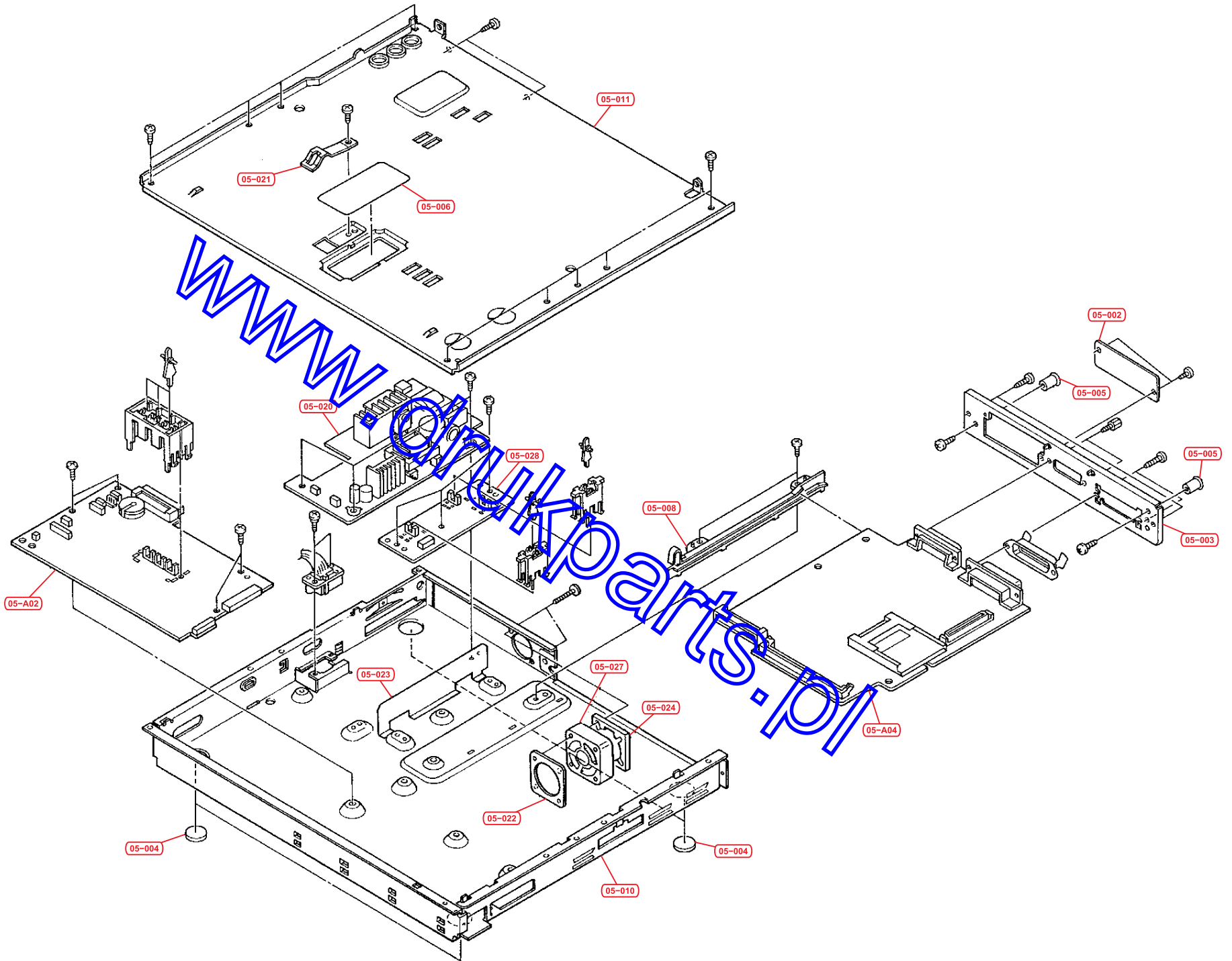


Ref No.	Part Code	Description	Quantity
03-000	DV-56	DEVELOPER KIT (5PLPZQUAPKE)	1
03-001	5MVB876SB010	CASE DLP	1
03-002	5AAXTS019GEA	TONER SENSOR ASSY	1
03-003	5MVS651KJ001	TAPE SENSOR FACE	1
03-004	5MVM170DB005	BUSH MIXER B	1
03-005	5MVG148DB027	GEAR MIXER Z38-Z40	1
03-006	5MVG138DB046	GEAR IDLE Z29-Z14	1
03-007	5MVG138DB050	GEAR Z27	1
03-008	5MVG127DB037	GEAR Z14	1
03-009	5MVS511YF001	SEAL SIDE DLP	2
03-010	5AAVROLER028	ROLLER MAGNET	1
03-011	5MVX764CB001	FLANGE MG DLP	1
03-012	5MMS323LD001	PLATE BIAS	1
03-013	5MVF176CW001	CAP MG L	1
03-014	5MVF276CW001	CAP MG R	1
03-015	5MVS869FD002	SHUTTER MG	1
03-018	5MVB543SB003	COVER PWB	1
03-019	5MVM166DN004	BUSH MIXER GEAR	1
03-022	5MVVL732WN10	LABEL DLP	1
03-023	5AAY6500J*62	MIXER ASSY	1
03-024	5AAY6500J*65	BLADE ASSY	1
03-025	5AAY6500J*66	COVER MG ASSY	1
03-026	5AAY6500J*67	COVER SHUTTER ASSY	1
03-027	5AAY6500J*68	TONER MOTOR ASSY	1
03-028	5AAY6500J*69	LID ASSY	1
03-029	5MVS541KF004	SHEET CASE	1
03-030	5MVS327KF001	SHEET MIXER	1
03-031	5MMX668RB001	OIL SEAL	1
03-032	5MBWK41805NN	FLAT S WASHER	1
03-033	5AAPRCZC1004BH	PWB ASSY	1

www.onlinestarts.com

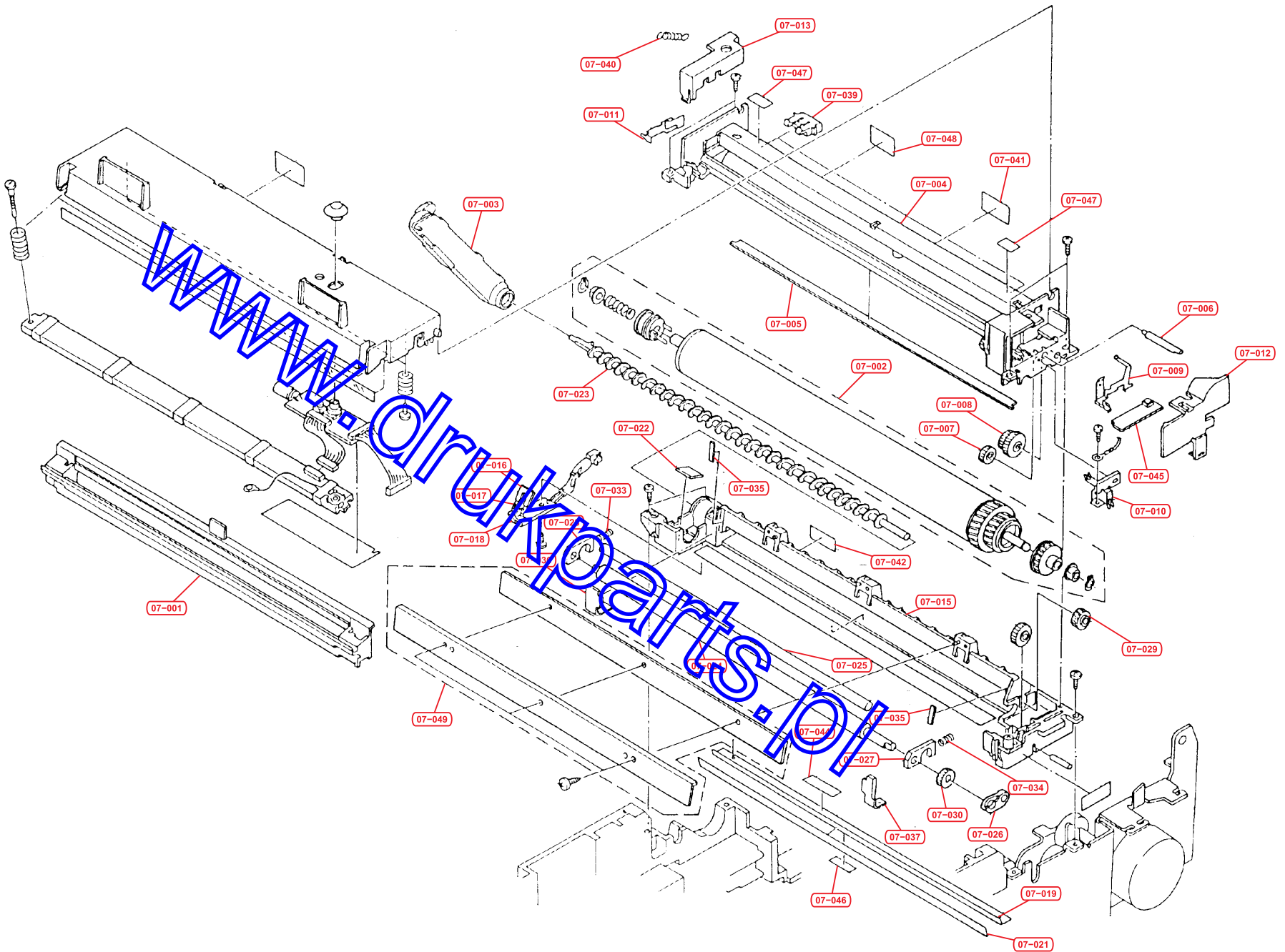
Ref No.	Part Code	Description	Quantity
04-000	FK-56	FUSER KIT (5PLPZQSAPKE)	1
04-001	5MVX875XB002	FRAME FUSER UP	1
04-002	5EYFFQ16101**01	THERMO STAT	1
04-003	5MMX633RD001	HOLDER LAMP R	1
04-004	5AAXTM008GEA	THERMISTOR ASSY	1
04-005	5MMW351LD002	SPRING SEPARATOR	5
04-006	5MVX332XN003	SEPARATOR	5
04-008	5MMT833SN003	SHAFT EXIT	1
04-009	5MVM174DB002	PULLEY EXIT	4
04-010	5MMW251LD016	SPRING PULLEY	2
04-012	5MVM148XN001	BUSH HEAT	2
04-013	5MVG158XN002	GEAR Z44S	1
04-014	5MVX832XB002	HOLDER FUSER UP	1
04-015	5MVG138XN007	GEAR JOINT Z26	1
04-016	5MVG137DB026	GEAR IDLE Z21	1
04-017	5MVG137DB025	GEAR M FEED Z26	1
04-018	5MMW181SB001	RING STOP	2
04-019	5MVX875XB001	FRAME FUSER LOW	1
04-020	5MVX822XB003	GUIDE ENTRANCE	1
04-021	5MVX732CB002	ACTUATOR FUSER	1
04-023	5MMT875LD002	ROLLER EXH	1
04-024	5MVM176DB006	BUSHING POM	1
04-025	5MMM176CJ005	BUSHING SBK	1
04-026	5MMX321LD022	PLATE EARTH FUSER	1
04-027	5MMT886SX019	ROLLER PRESS	1
04-028	5MVM166XN001	BUSHING PRESS	2
04-029	5MMS727SL001	PLATE PRESS	1
04-030	5MMX432SL004	PLATE RELEASE L	1
04-031	5MMX432SL005	PLATE RELEASE R	1
04-032	5MVG127DB018	GEAR EXIT Z16	1
04-033	5MMW251LD022	SPRING PRESS	2
04-035	5MVX665XB004	COVER FUSER L	1
04-036	5MVX764XB001	COVER FUSER R	1
04-038	5MMX321PD005	HOLDER LAMP L	1
04-040	5AACCNN54GEA	CON. CORD ASSY	1
04-041	5MML737SD001	PLATE PRESS R	1
04-042	5MMT888AX009	ROLLER HEAT	1
04-043	5MMW362LD001	SPRING ACTUATOR	1
04-044	5MVVL721WN25	LABEL FUSER CAUTION	1
04-045	5EZPZ2412920101	LAMP HEATER 240V	1
04-046	5MVX842CB005	GUIDE CHANGE	1
04-A03	5AAPRIFC1005AH	P.W. BOARD ASSY	1

Fig.5 - Controller Unit



Ref No.	Part Code	Description	Quantity
05-002	5MMS646SD007	PLATE CONNECT 8N	1
05-003	5MMB851SD004	PANEL REAR	1
05-004	5MVM160RB025	FOOT	4
05-005	5MVM266SB003	PULL KNOB	2
05-006	5MVS636VB003	SHEET ENGINE POM	1
05-007	5MVS532KF002	SHEET TRANS	1
05-008	5MVX732SL002	RAIL PWB MAIN	1
05-010	5AAVBOX**002	BOX ASSY	1
05-011	5MMS986SD003	LID CONTROLLER	1
05-013	5AACCNNS5GEA	CONN. CORD ASSY	1
05-014	5AACCNNS7GEA	CONN. CORD ASSY	1
05-015	5AACCNNS8GEA	CONN. CORD ASSY	1
05-016	5AACCNNT2GEA	CONN. CORD ASSY	1
05-017	5AACCNNS9GEA	CONN. CORD ASSY	1
05-018	5AACCNNR6GEA	CONN. CORD ASSY	1
05-019	5AACCNNR7GEA	CONN. CORD ASSY	1
05-020	5AAEZ3600E*1	SWITCHING REGULATOR	1
05-021	5MMC621LD002	PLATE RELEASE CAS	1
05-022	5MMS337SD003	PLATE FAN	1
05-023	5MVS853KN002	SHEET CONT BOX	1
05-024	5MVS447XF001	SEAL BOX FAN	1
05-025	5EYBE1641600102	FERRITE CORE	1
05-026	5MVS775CC001	SHEET PWB ASSY	1
05-027	5EZNF0509001*02	FAN MOTOR	1
05-028	5AAPRZZC1043AH	PWB ASSY SENSOR	1
05-A02	5AAPRCZC2001BH	PWB ASSY ENGINE(FS-6500)	1
05-A02	5AAPRCZC2002BH	PWB ASSY ENGINE(FS-6500+)	1
05-A04	5AAPRLGG4022DH	PWB ASSY MAIN(FS-6500)	1
05-A04	5AAPRLGG4022HH	PWB ASSY MAIN(FS-6500+)	1
05-00X	5MVB544SB002	HOLDER ACTUATOR	1

Fig.6 - Drum LED Head Unit

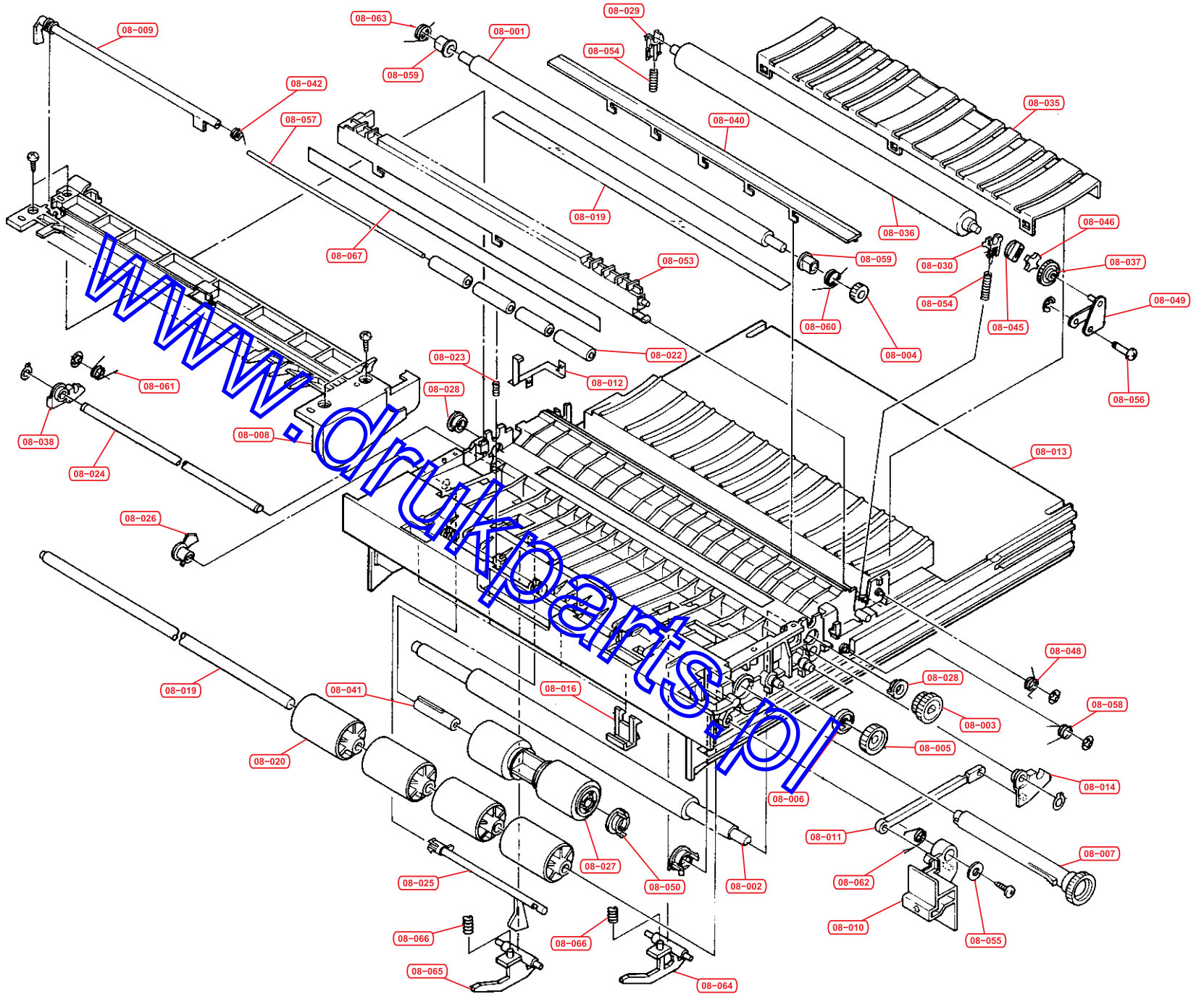


Ref No.	Part Code	Description	Quantity
07-000	DK-56	DRUM KIT (5PLPZQWAPKE)	1
07-000	LK-55	LED HEAD (5PLPZQVAPKE)	1
07-001	5AAY6500J*70	MCH ASSY	1
07-002	5AAY6500E*22	DRUM ASSY	1
07-003	5AAY6500J*63	CASE BELT ASSY	1
07-004	5MVB966CB001	FRAME DRUM UP	1
07-005	5AAXLD026GEA	LED ASSY	1
07-006	5MMT343SN004	PIN IDLER D	2
07-007	5MVG127DN039	GEAR H14	1
07-008	5MVG047DN002	GEAR H37-H18	1
07-009	5MMZ322LD004	PLATE ZENNER A	1
07-010	5MMX433LD003	PLATE ZENNER B	1
07-011	5MMZ332LD002	PLATE MCH	1
07-012	5MVB632SB007	COVER ZENNER	1
07-013	5MVB654CB001	HOLDER CASE BELT	1
07-015	5MVX966CB001	FRAME DRUM LOW	1
07-016	5AAVBRUSH039	CONTACT BRUSH ASSY	1
07-017	5MVS226RF013	SHEET BRUSH A	1
07-018	5MVS222XF008	SHEET BRUSH B	1
07-019	5MML811LD003	PLATE SHEET	1
07-020	5MVS816RN001	SHEET DRUM	1
07-021	5MVS821KN017	SHEET CLN	1
07-022	5MVS328LN001	SEAL RING LEFT	1
07-023	5MMT864CB003	SCREW	1
07-024	5MMT876SN024	ROLL CLN	1
07-025	5MVT860SN002	ROLL MAGIC	1
07-026	5MVQ321DN004	BUSH A	1
07-027	5MVQ321XN001	BUSH B	1
07-028	5MVQ321XN002	BUSH C	1
07-029	5MVG127DN038	GEAR H14S	1
07-030	5MVG137DN013	GEAR H22	1
07-033	5MMW241LD001	SPRING ROLL E	1
07-034	5MMW241LD005	SPRING ROLL B	1
07-035	5MVS218KN001	SEAL BLADE	1
07-036	5MVS428LN004	SEAL DRUM L	1
07-037	5MVS428LN005	SEAL DRUM R	1
07-039	5MMB211SB009	LED STOPPER	2
07-040	5MMW254LD003	SPRING CASE BELT	1
07-041	5MMS831AX003	SEAL HEAT UP	2
07-042	5MMS921AX001	SEAL HEAT LOW	1
07-044	5MVS811XF005	TAPE PLATE DRUM	1
07-045	5AAPRCZC1003AH	PWB ASSY	1
07-046	5MVS823KN002	SHEET DRUM LOW	1
07-047	5MVS217RF019	SHEET MCM	3

Ref No.	Part Code	Description	Quantity
07-048	5MMS721AX001	SEAL HEAT A	2
07-049	5AAY6500J*77	BLADE UNIT	1
07-00T	5AAPRLDC2004DH	PWB ASSY	1

www.drukparts.pl

Fig.7 - Feed Trans Unit



Ref No.	Part Code	Description	Quantity
08-000	5AAY6500J*44	FEED TRANS UNIT(FS-6500)	1
08-000	5AAY6500D*02	FEED TRANS UNIT(FS-6500+)	1
08-001	5MMT876SN043	ROLLER REGIST UP	1
08-002	5MMT876SN044	ROLLER REGIST LOW	1
08-003	5MVG137DB059	GEAR REGIST Z24-Z26	1
08-004	5MVG127DB038	GEAR REGIST Z19	1
08-005	5MVG138DB029	GEAR IDLE Z26	2
08-006	5MVM121DB001	COLLER JOINT	2
08-007	5MVG138DB052	FEED WHEEL	1
08-008	5MVX875SH005	GUIDE PAPER A	1
08-009	5AAY6500J*78	SENSOR DOC	1
08-010	5MVX655SX001	LEVER LOCK	1
08-011	5MVX711DB002	LINK LOCK	1
08-012	5MMX643LD002	PLATE EARTH CONTACT	1
08-013	5MVB986SH022	LOWER CASE	1
08-014	5MVX431DB003	HINGE LOCK R	1
08-016	5MVX322DN002	GUIDE PAPER B	6
08-018	5MVS821KF018	SHEET REGIST B	1
08-019	5MMT866SN021	SHAFT GUIDE	1
08-020	5MVM687DB001	ROLLER GUIDE	4
08-022	5MVM460DB001	ROLLER IDLE	4
08-023	5MMW255LD003	SPRING MANUAL	2
08-024	5MMT866SN020	SHAFT RELEASE	1
08-025	5MVX745CB001	ACTUATOR CASSETTE A	1
08-026	5MVX321SB012	ACTUATOR CASSETTE B	1
08-027	5AAVROLL*027	FEED ROLL ASSY	1
08-028	5MVM122DB003	BUSH POM	2
08-029	5MVX322DB012	BUSH TRANSFER L	1
08-030	5MVX321DB009	BUSH TRANSFER R	1
08-035	5MMU862SD002	PLATE EARTH	1
08-036	5MMT886SN008	ROLLER TRANSFER	1
08-037	5MVG137DB061	GEAR Z29H TC	1
08-038	5MVS421DB007	HINGE LOCK L	1
08-040	5MVX828CB001	GUIDE CHUTE	1
08-041	5MVM410DB001	HOLDER ROLLER FEED	1
08-042	5MMW163LD004	SPRING SENSOR	1
08-045	5MVM176DB009	BUSH TRANSFER	1
08-046	5MVM276DB007	COUPLING JOINT	1
08-048	5MMW166LD006	SPRING BRACKET	1
08-049	5MMU222SD002	BRACKET JOINT GEAR	1
08-050	5MVM177DB008	BUSH FEED	2
08-053	5AAY6500J*74	BRUSH DC ASSY	1
08-054	5MMW354LD003	SPRING TC ROLL	2
08-055	5MBWK54E08SZ	FLAT S WASHER	1
08-056	5MMT243SZ005	PIN BRACKET A	1

Ref No.	Part Code	Description	Quantity
08-057	5MMT733SN002	SHAFT MANUAL FEED	1
08-058	5MMW163LD003	SPRING HING R	1
08-059	5MMM276CJ001	METAL BUSH REGIST	2
08-060	5MMW172SX005	SPRING REGIST R	1
08-061	5MMW167LD003	SPRING HING L	1
08-062	5MMW167LD004	SPRING LOCK	1
08-063	5MMW172LD008	SPRING REGIST L	1
08-064	5MVX621SB006	GUIDE PAPER CR	1
08-065	5MVX621SB007	GUIDE PAPER CL	1
08-066	5MMW231LD002	SP GUIDE PAPER C	2
08-067	5MVS811KF017	SHEET DC BRUSH	1

www.drukparts.pl

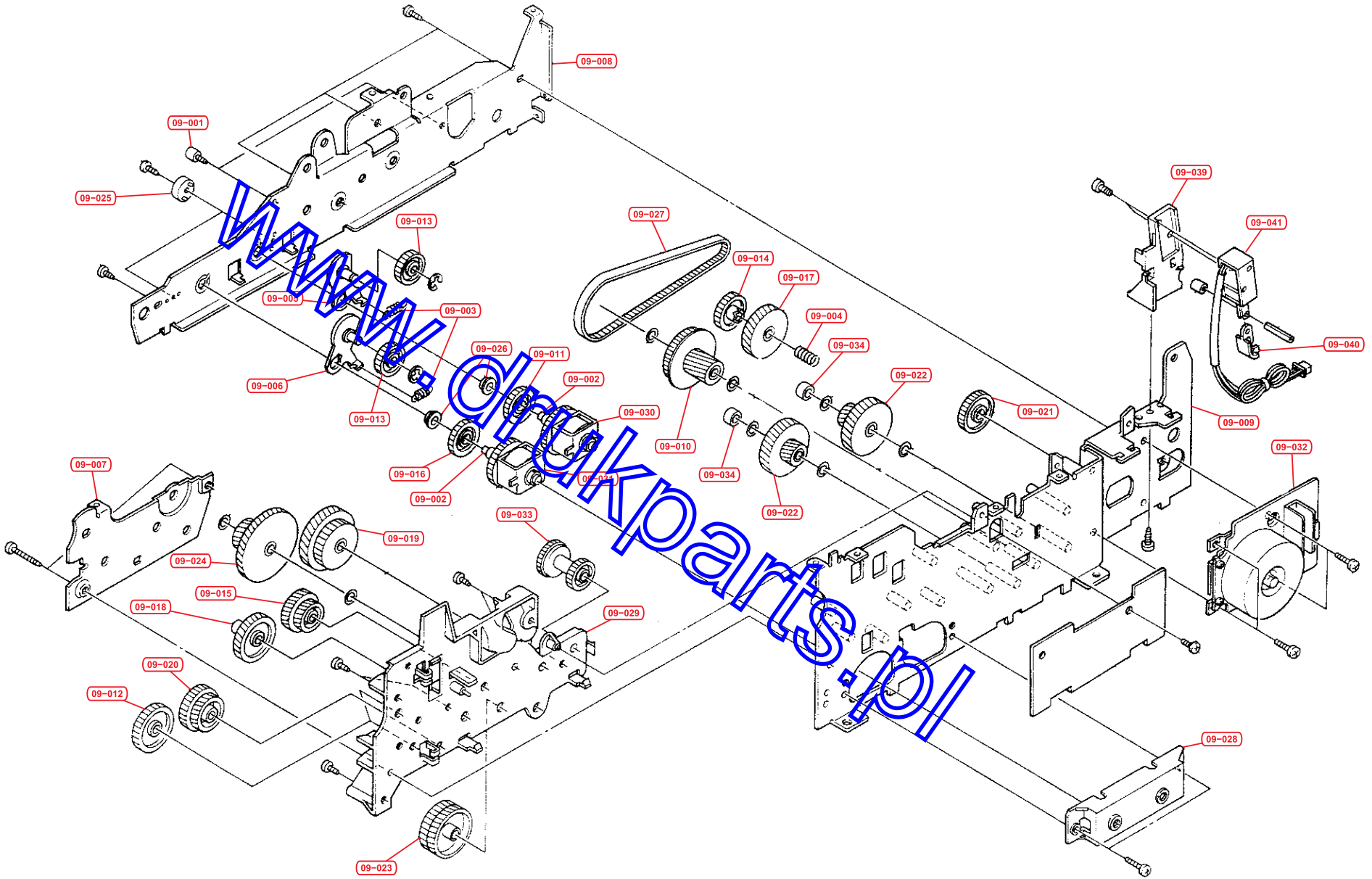


Fig.8 - Drive Unit

Ref No.	Part Code	Description	Quantity
09-000	5AAY6500E*19	DRIVE FRAME UNIT	1
09-000	5AAY6500E*25	DRIVE GEAR PACK (FS-6500)	1
09-000	5AAY6550J*17	DRIVE GEAR PACK (FS-6500+)	1
09-001	5MMT263SZ016	PIN STUD	2
09-002	5MMT566SN002	SHAFT CLUTCH	2
09-003	5MMW261LD006	SPRING JOINT	2
09-004	5MMW265LD002	SPRING FREE	1
09-005	5MMS437SD001	PLATE JOINT	1
09-006	5MMS437SD002	PLATE JOINT B	1
09-007	5MMS761SD002	PLATE DRIVE C	1
09-008	5MMS867SD002	PLATE DRIVE A	1
09-009	5MMS877SD002	PLATE DRIVE B	1
09-010	5AAVGEAR*021	GEAR P60-H20 ASSY	1
09-011	5MVG138DN019	GEAR Z28S	1
09-012	5MVG148DB009	GEAR IDLE Z40	2
09-013	5MVG138DB021	GEAR JOINT Z28	2
09-014	5MVG138DB051	GEAR Z30S	1
09-015	5MVG148DB031	GEAR Z32H-Z25H	1
09-016	5MVG138DB024	GEAR CLUTCH Z29	1
09-017	5MVG158DB021	GEAR Z40H	1
09-018	5MVG148DB025	GEAR IDLE Z40H	1
09-019	5MVG169DB009	GEAR Z32H-Z42S	1
09-020	5MVG158DN011	GEAR Z29H-Z37S	1
09-021	5MVG148XN007	GEAR FUSER Z34	1
09-022	5AAVGEAR*022	GEAR H48-H19 ASSY	2
09-023	5MVG158DB010	GEAR REG Z45H-Z45S	1
09-024	5AAVGEAR*023	GEAR H59-H23 ASSY	1
09-025	5MVM122DB002	PULLEY CASE	2
09-026	5MVM176DB008	BUSHING STOP	2
09-027	5MVG379RB001	BELT DRIVE	1
09-028	5MVC787DN001	HOLDER CLUTCH	1
09-029	5MVS877DB001	SPACER GEAR	1
09-030	5EYYAFAAKM**03	CLUTCH REGIST	1
09-031	5EYYAFAAQ01**03	CLUTCH FEED	1
09-032	5AAXM018GEA	MOTOR MAIN	1
09-033	5MVG137DB058	GEAR Z25S-Z51S	1
09-034	5MVM166AN001	COLLAR	2
09-038	5MMW261LJ032	SPRING SOLENOID	1
09-039	5MVX633XB001	HOLDER SOL	1
09-040	5MVX321DN008	JOINT PLATE	1
09-041	5EZSA2401020304	SOLENOID TDS-KN07A	1
09-042	5AAPRIFC1004CH	PWB ASSY	1

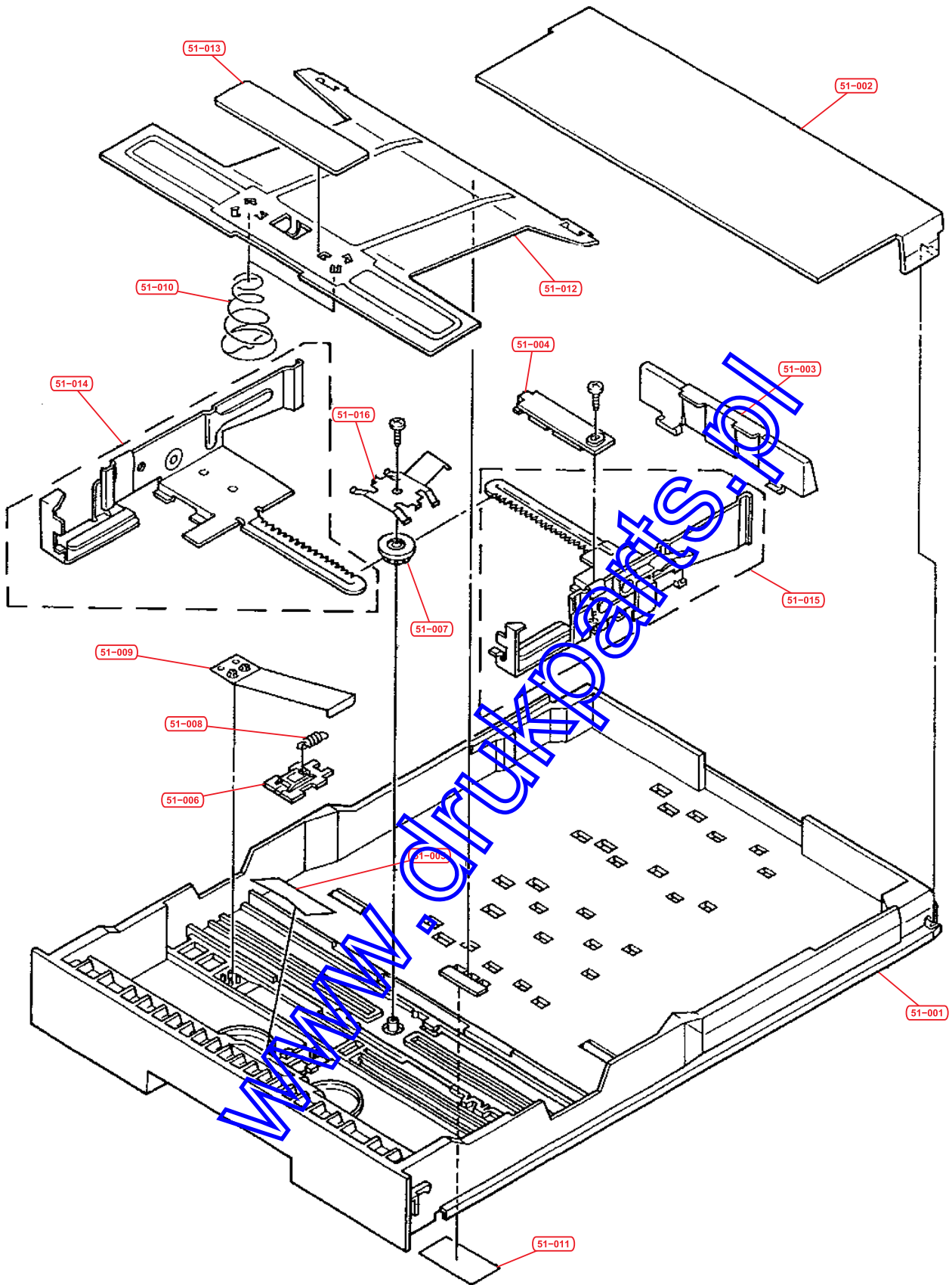


Fig.9 – Paper Cassette

Ref No.	Part Code	Description	Quantity
51-000	PC-11	PAPER CASSETTE FS-6500	1
51-000	PC-15	PAPER CASSETTE FS-6500+	1
51-001	5MVB986SH020	CASE CASSETTE	1
51-002	5MVB861SH002	COVER CASSETTE	1
51-003	5MVB742SH002	PAPER END STOPPER	1
51-004	5MVX622SH001	KNOB SIZE SELECT	1
51-005	5MVS631KF003	SHEET CASSETTE B	1
51-006	5MVX421SH001	STOPPER BOTTOM	1
51-007	5MVG127SH002	GEAR TRAY Z16S	1
51-008	5MMW411LJ001	SP STOPPER BOTTOM	1
51-009	5MMZ714LD001	CASSETTE SUB SP	1
51-010	5MMW671LJ003	CASSETTE SPRING	2
51-011	5MVS533VF003	SHEET BOTTOM	1
51-012	5MMS886SF001	PLATE BOTTOM	1
51-013	5MVS746XN001	PAD SEPARATOR	1
51-014	5AAVNA1L*003	PLATE SIDE L ASSY	1
51-015	5AAVNA1L*004	PLATE SIDE R ASSY	1
51-016	5MMX654LD001	PLATE EARTH	1

www.drukparts.pl