



PAGE PRINTER

**FS-600**



# PARTS CATALOGUE

11-11-1998

# FS-600 Parts Catalogue

## Table of Contents

Enclosure (Fig.1) .....	3
Frame (Fig.2).....	5
Drive Assy (Fig.3) .....	8
Controller (Fig.4).....	10
Fuser (Fig.6).....	12
Processor Unit (Fig.8) .....	14
Scanner Unit (Fig.9).....	16
Developer Unit (Fig.10).....	18

## Introduction

The figures which follow depict the major assemblies of the printer or option, broken down into components. Following each figure are the lists giving the following information:

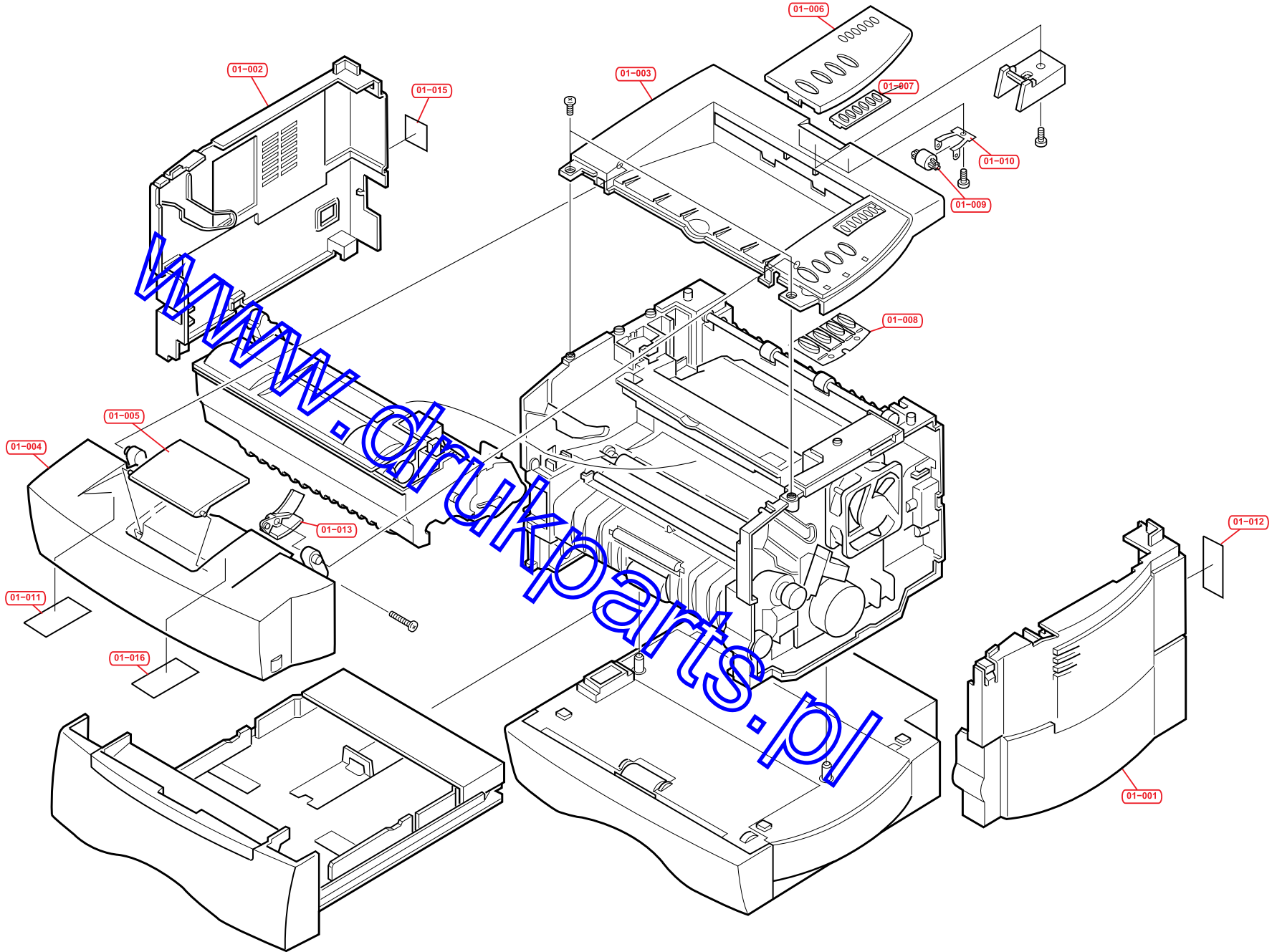
- 'Ref No.' ..... Reference number which corresponds to the parts in the figure
- 'Part code'..... Part code which identifies the part
- 'Part description' ..... A brief description of the part
- 'Quantity'..... Quantity of the part used in the printer or option

Only the parts highlighted in BOLD should be ordered. All other parts are for reference only and are not stocked.

## Consumables and Maintenance Kits

TK-16                      Toner Kit

Fig.1 - Enclosure



Ref No.	Part Code	Description	Quantity
01-000	PU-18	Process Unit 5PLPZXPAEKE	1
01-000	LK-16	Scanner Unit 5PLPZYVAPKE	1
01-001	5MVB886CH006	Cover Right	1
01-002	5MVB885CH001	Cover Left	1
01-003	5MVB886CH005	Cover Top	1
01-004	5MVB876CH001	Lid Top	1
01-004	5MVB876CH002	Lid Top R	1
01-005	5MVX661SH003	Tray Exit FD	1
01-006	5MVX762SH004	Panel Top English	1
01-006	5MVX762SH007	Panel Top German	1
01-006	5MVX762SH008	Panel Top French	1
01-006	5MVX762SH009	Panel Top Japanese	1
01-007	5MVX621SC001	Cover LED	1
01-008	5MVX662SB018	Button	1
01-009	5MVM273DB003	Roller Pinch	1
01-010	5MMX322LD018	BKT Pulley FD	1
01-011	5MVVL771WN16	Label Diagram	1
01-012		Ser No Plate (U)	1
01-013	5MVX322SH002	Lever Shutter	1
01-015		Label Ser Caution	1
01-016	5MVVL771WN17	Label Diagram B	1
01-018	5AAVCASET202	PC-17 Paper Cassette	1
09-002	5MVQ711GX002	Mirror Exit	1
09-003	5MVS721GC001	Glass Exit	1
09-004	5MVX711SB001	Shutter Scan	1
09-005	5MMW161LD032	Spring Shutter	1
09-009	5MVX711SB001	Lever Interlock	1

www.okparts.pl

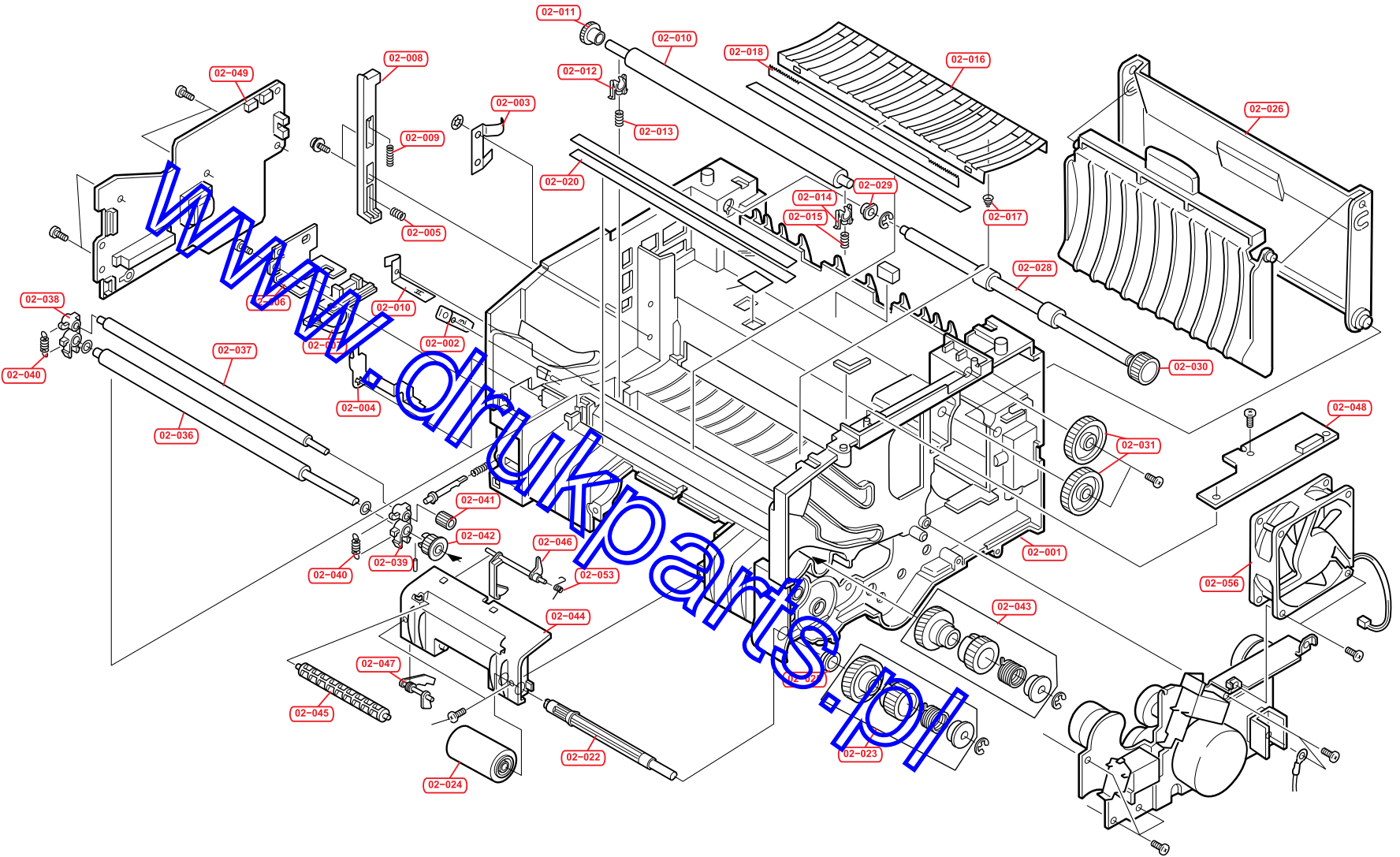


Fig 2 - Frame

Ref No.	Part Code	Description	Quantity
02-001	5MVB887CB001	Frame Base	1
02-002	5MMX421LD014	Contact Bias	1
02-003	5MMX431LD008	Contact Main	1
02-004	5MMX433LD006	Contact Earth Regist	1
02-005	5MMX522LD011	Contact Transfer	1
02-006	5MML543SL002	Plate Connector DLP	1
02-007	5AACCNQG3GEA	Conn Cord S02203	1
02-008	5MVQ622SB001	Rod Interlock	1
02-009	5MMW261LD024	Spring Interlock	1
<b>02-010</b>	<b>5MMT876SN054</b>	<b>Roller Transfer</b>	<b>1</b>
02-011	5MVG127DB035	Gear TC Z18	1
<b>02-012</b>	<b>5MVX221DB010</b>	<b>Bush Transfer R</b>	<b>1</b>
<b>02-013</b>	<b>5MMW251LD030</b>	<b>Spring Transfer L</b>	<b>1</b>
<b>02-014</b>	<b>5MVX221DW004</b>	<b>Bush Transfer L</b>	<b>1</b>
<b>02-015</b>	<b>5MMW251SX002</b>	<b>Spring Transfer R</b>	<b>1</b>
02-016	5MMC862SD004	Plate Earth Guide	1
02-017	5MMW261LD025	Spring Earth	1
02-018	5MVS825FF007	Discharger	1
02-020	5MVS722KN001	Sheet Regist	1
02-022	5MMT766SN006	Shaft Feed	1
<b>02-023</b>	<b>5AAVCLTCH011</b>	<b>Clutch Feed</b>	<b>1</b>
<b>02-024</b>	<b>5AAVROLL*029</b>	<b>Roller Feed Assy</b>	<b>1</b>
02-025	5MVM122DB003	Bush Feed	1
02-026	5AAVCOVER197	Cover Rear	1
02-028	5MMT874LD001	Roller Exit	1
02-029	5MVM176DW001	Bush Exit	1
02-030	5MVG137DW003	Gear Exit Z22	1
02-031	5MVG148DN035	Gear Z38	1
02-032	5AACCNQHOGEA	Conn Cord S02210 Polygon Motor	1
02-033	5AACCNQH5GEA	Conn Cord S02210 Main Motor	1
02-034	5AACCNQG2GEA	Conn Cord S02210 Panel	1
02-035	5AACCNQG9GEA	Conn Cord S02210 Laser	1
<b>02-036</b>	<b>5MMT876SN055</b>	<b>Roller Regist Low</b>	<b>1</b>
<b>02-037</b>	<b>5MMT866SN009</b>	<b>Roller Regist Up</b>	<b>1</b>
<b>02-038</b>	<b>5MVX221DB019</b>	<b>Bush Regist Left</b>	<b>1</b>
<b>02-039</b>	<b>5MVX221DW006</b>	<b>Bush Regist Right</b>	<b>1</b>
<b>02-040</b>	<b>5MMW261LD023</b>	<b>Spring Regist R</b>	<b>1</b>
02-041	5MVG126DN013	Gear Regist Z16	1
02-042	5MVG148DN036	Gear Regist Z35	1
<b>02-043</b>	<b>5AAVCLTCH012</b>	<b>Clutch Regist</b>	<b>1</b>
02-044	5MVX766DB001	Holder Feed	1
<b>02-045</b>	<b>5MVT763SB001</b>	<b>Pulley Feed</b>	<b>1</b>
02-046	5MVX642SB010	Actuator Feed	1
02-047	5MVX442SB009	Actuator Empty	1
<b>02-048</b>	<b>5AAPRKBC1004AH</b>	<b>Keyboard PWB Assy</b>	<b>1</b>

Ref No.	Part Code	Description	Quantity
02-049	5AAXTR038VDA	Trans Assy	1
02-050	5MMW261LD029	Spring Interlock B	1
02-053	5MMW151LD003	Spring Actuator Reg	1
02-056	5EZNF2401901*01	Fan Motor	1

[www.drukparts.pl](http://www.drukparts.pl)

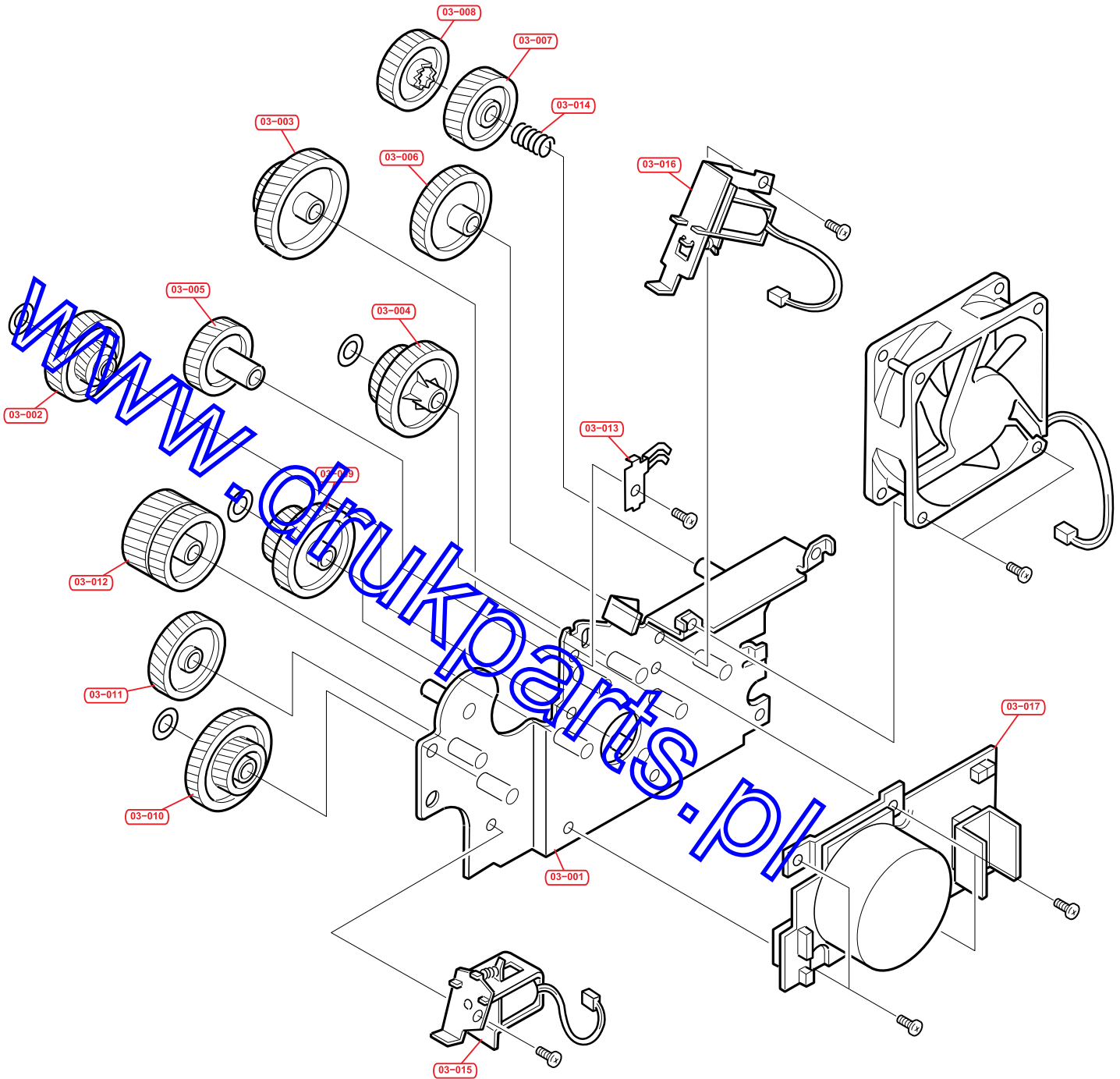


Fig.3 - Drive Assy



Ref No.	Part Code	Description	Quantity
<b>03-000</b>	<b>5AAYFS600E08</b>	<b>Drive Assy</b>	<b>1</b>
03-000	5AAYFS600E32	DRIVE GEAR PACK	1
03-001	5MMX776SD004	Plate Drive	1
03-002	5MVG168DN012	Gear Z64H-Z19H	1
03-003	5MVG159DN009	Gear Z49H-Z22H	1
03-004	5MVG158DN025	Gear Z42H-Z25H	1
03-005	5MVG148DN034	Gear Z31H	1
03-006	5MVG158DN026	Gear Z42H	1
03-007	5MVG148DN032	Gear Free Z32H	1
03-008	5MVG148DN033	Gear Free Z32S	1
03-009	5MVG168DN013	Gear Z66H-Z27H	1
03-010	5MVG158DN027	Gear Z45H-Z24H	1
03-011	5MVG148DN030	Gear Z39H	1
03-012	5MVG148DN031	Gear Z37H-Z36H	1
03-013	5MMX331LD002	Plate Earth Drum	1
03-014	5MMW211SZ001	Spring Free	1
<b>03-015</b>	<b>5EZSA2402410201</b>	<b>Free Solenoid Assy</b>	<b>1</b>
<b>03-016</b>	<b>5EZSA2402410101</b>	<b>Regist Solenoid Assy</b>	<b>1</b>
<b>03-017</b>	<b>5AAXMT030GEA</b>	<b>Main Motor</b>	<b>1</b>

www.drukparts.pl

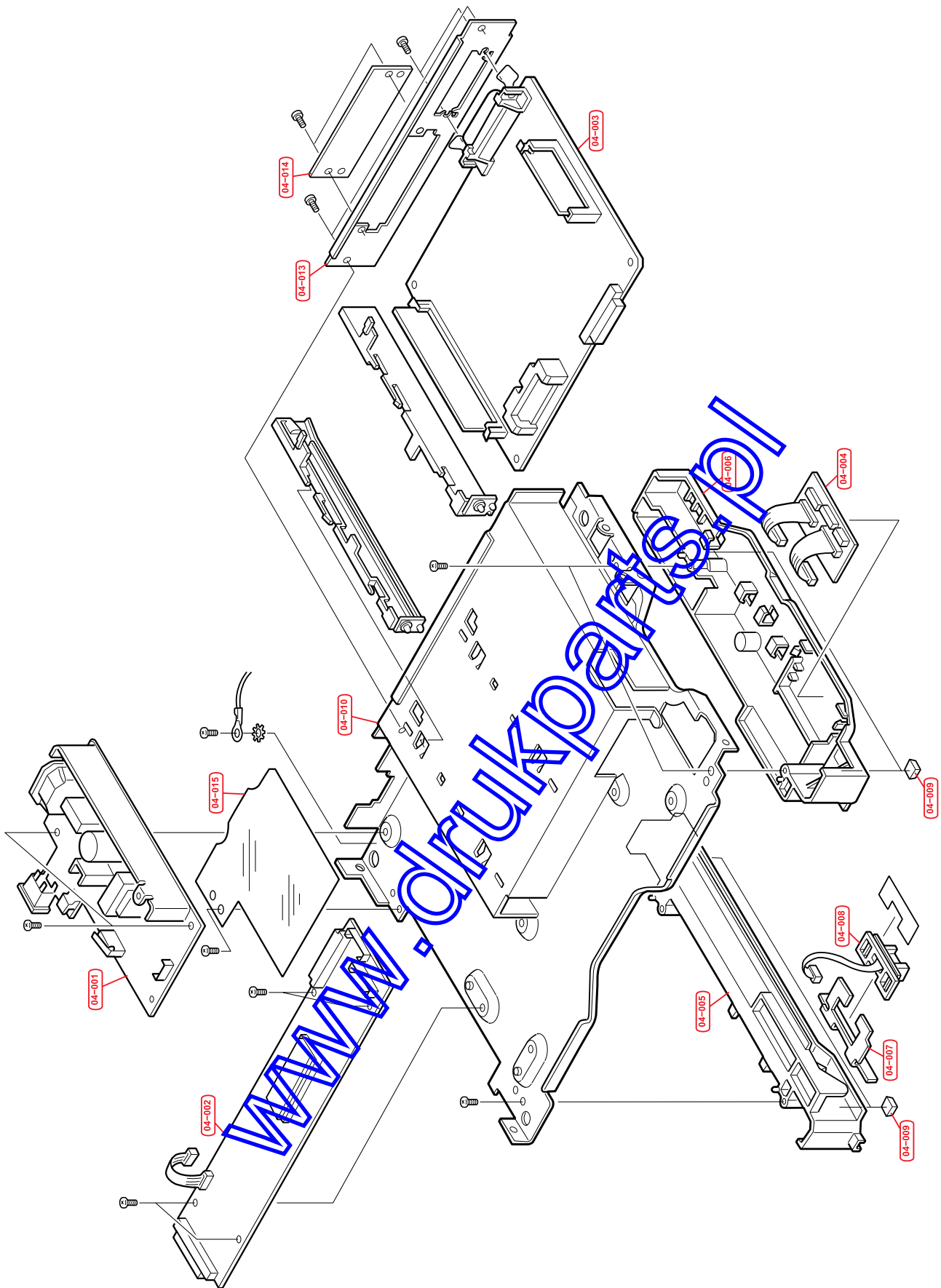
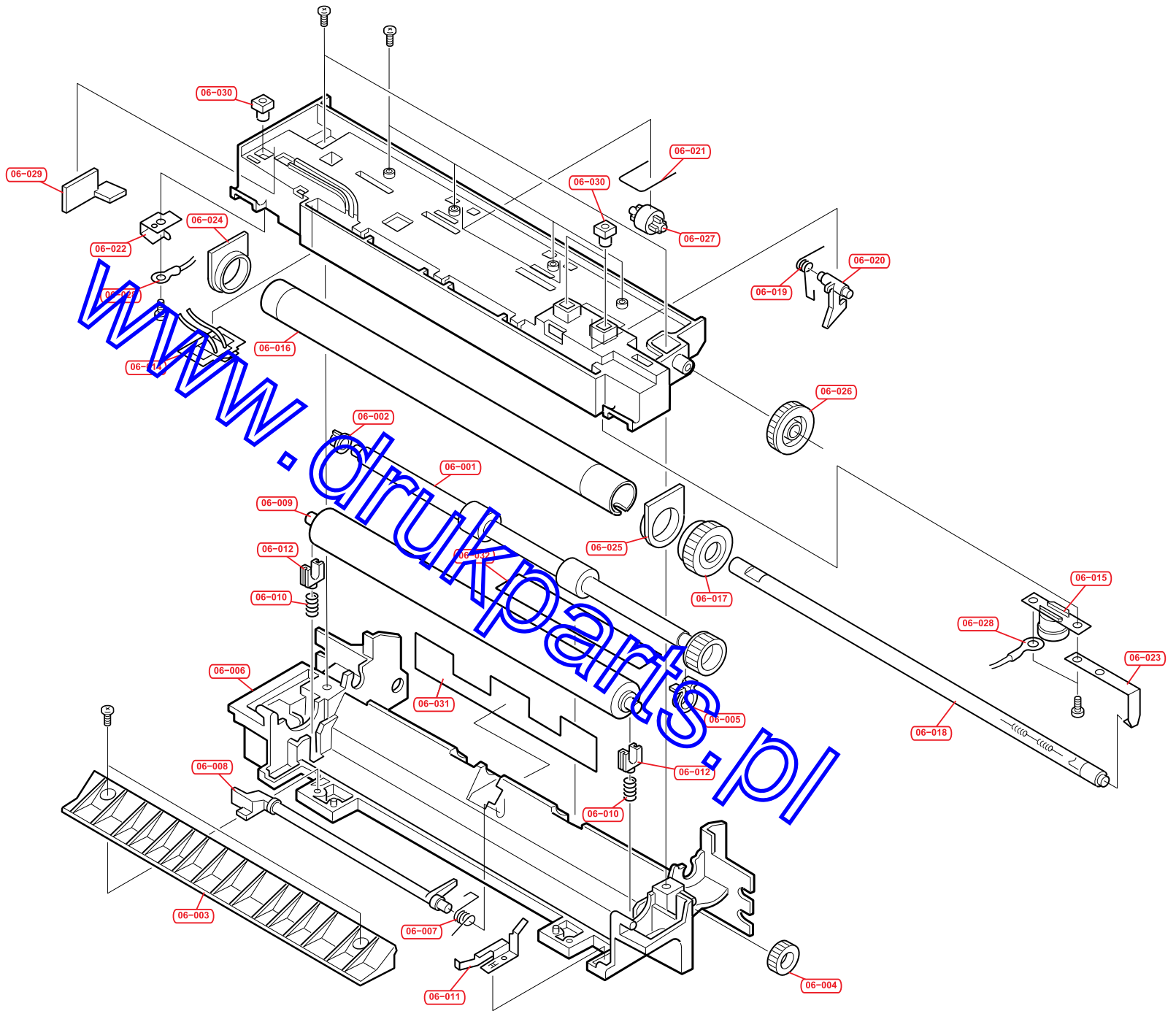


Fig.4 - Controller

Ref No.	Part Code	Description	Quantity
04-000	5AAPRMEG4019AH	DIMM PWB Assy KP-610A	1
04-001	5AAEZFS600E1	Switching Regulator 230v	1
04-001	5AAEZFS600A1	Switching Regulator 120v	1
04-002	5AAPRCZC2003AH	Engine PWB Assy	1
04-003	5AAPRLGC2016BH	Main PWB Assy	1
04-004	5AAPRIFC2009AH	Relay PWB Assy	1
04-005	5MVB845SB002	Guide Cassette Left	1
04-006	5MVB864SB012	Guide Cassette Right	1
04-007	5MML643SL004	Plate Connector PF	1
04-008	5AACCNQG3GEA	Conn Cord Assy	
04-009	5MVS228RB019	Foot	1
04-010	5AAVBOX**005	Box Controller Assy	1
04-013	5MMU841SD002	Panel Rear	1
04-014	5MMS636SD009	Plate Option	1
04-015	5MVS774CN001	Sheet PWB	1

[www.drukparts.pl](http://www.drukparts.pl)

Fig.6 - Fuser



Ref No.	Part Code	Description	Quantity
06-000	FK-16	Fuser Unit (5PLPZYTAPKE)	1
06-001	5MVT876CX001	Roller Exit	1
06-002	5MVM176DN016	Bush A	1
06-003	5MVX833KB001	Paper Chute Fuser	1
06-004	5MVG127DN047	Gear Idle Z18	1
06-005	5MVM162DN005	Bush FD R	1
06-006	5MVX875KB001	Frame Fuser Low	1
06-007	5MMW261LD017	Spring Actuator	1
06-008	5MVX721CB002	Actuator Fuser	1
<b>06-009</b>	<b>5MMT876SN040</b>	<b>Roller Press</b>	<b>1</b>
<b>06-010</b>	<b>5MMW261LD022</b>	<b>Spring Fuser</b>	<b>1</b>
06-011	5MMX323LD001	Plate Earth Fuser	1
<b>06-012</b>	<b>5MVX221XN002</b>	<b>Bush Press</b>	<b>1</b>
06-013	5MVB864KB003	Frame Fuser Up	1
06-014	5AAXTM010GEA	Thermistor Assy	1
<b>06-015</b>	<b>5EYFFQ14001**01</b>	<b>Thermo Cut Out</b>	<b>1</b>
<b>06-016</b>	<b>5MMT877AX003</b>	<b>Roller Heat</b>	<b>1</b>
<b>06-017</b>	<b>5MVG138XN008</b>	<b>Gear Fuser Z30</b>	<b>1</b>
<b>06-018</b>	<b>5EZPB2411920101</b>	<b>Lamp Heater 230v</b>	<b>1</b>
06-018	5EZPB1213820101	Lamp Heater 120v	1
06-018	5EZPB1014520101	Lamp Heater 100v	1
<b>06-019</b>	<b>5MMW261LD015</b>	<b>Spring Separator</b>	<b>1</b>
<b>06-020</b>	<b>5MVX222XN001</b>	<b>Separator</b>	<b>1</b>
06-021	5MMW603LD001	Spring Exit	1
<b>06-022</b>	<b>5MMX222LD016</b>	<b>Holder Lamp L</b>	<b>1</b>
<b>06-023</b>	<b>5MMX531RD002</b>	<b>Holder Lamp R</b>	<b>1</b>
<b>06-024</b>	<b>5MVM188XN013</b>	<b>Bush Heat L</b>	<b>1</b>
<b>06-025</b>	<b>5MVM288XN001</b>	<b>Bush Heat R</b>	<b>1</b>
<b>06-026</b>	<b>5MVG138DN037</b>	<b>Gear Fuser</b>	<b>1</b>
06-027	5MVM273DB003	Roller Pinch	1
06-028	5AACCNQH1GEA	Conn Cord S02211	1
06-028	5AACCNQH2GEA	Conn Cord S02212	1
06-028	5AACCNQH3GEA	Conn Cord	1
06-029	5MVX324KB002	Support Lamp	1
06-030	5MMK416SZ001	Nut Fuser	1
06-031	5MVS821KP021	Sheet Exit	1
06-032	5MVVL791WN14	Label Fuser Caution	1



Ref No.	Part Code	Description	Quantity
<b>08-000</b>	<b>PU-18</b>	<b>Processor Unit</b>	<b>1</b>
08-001		Shaft Drum	
08-002		Spacer Blade	
08-003		Plate Bias Main	
08-004		Roller Main	
08-005		Spring MC	
08-006		Frame Drum	
08-007		Gear Idle Z24H-Z30H	
08-008		Gear Screw Z17H	
08-009		Gear Sweep Z15H	
08-010		Bush Sweep Left	
08-011		Bush Sweep Right	
08-013		Sheet Drum	
08-014		Seal Drum Left	
08-015		Seal Drum Right	
08-016		Seal Blade Long	
08-017		Sheet Sweep	
08-018		Roller Sweep	
08-019		Bush Main Left	
08-020		Bush Main Right	
08-021		Spring Case Belt	
08-022		Bush A	
08-023		Cover Drum	
08-024		Spring Cover Drum	
08-027		Seal Blade Upper	
08-028		Seal Blade Lower	
08-029		Seal Cover Drum	
08-A01		Blade Assy	
08-B01		Case Belt Assy	
08-B02		Case Feed Toner	
08-B03		Roller Belt	
08-B04		Belt Feed Toner	
08-B05		Shutter Case Belt	
08-B06		Spring Shutter	
08-B07		Seal Case Belt	
08-B08		Screw Cleaner	
08-B09		Spring Stopper	
08-B10		Stopper Case Belt	
08-C01		Drum Assy	

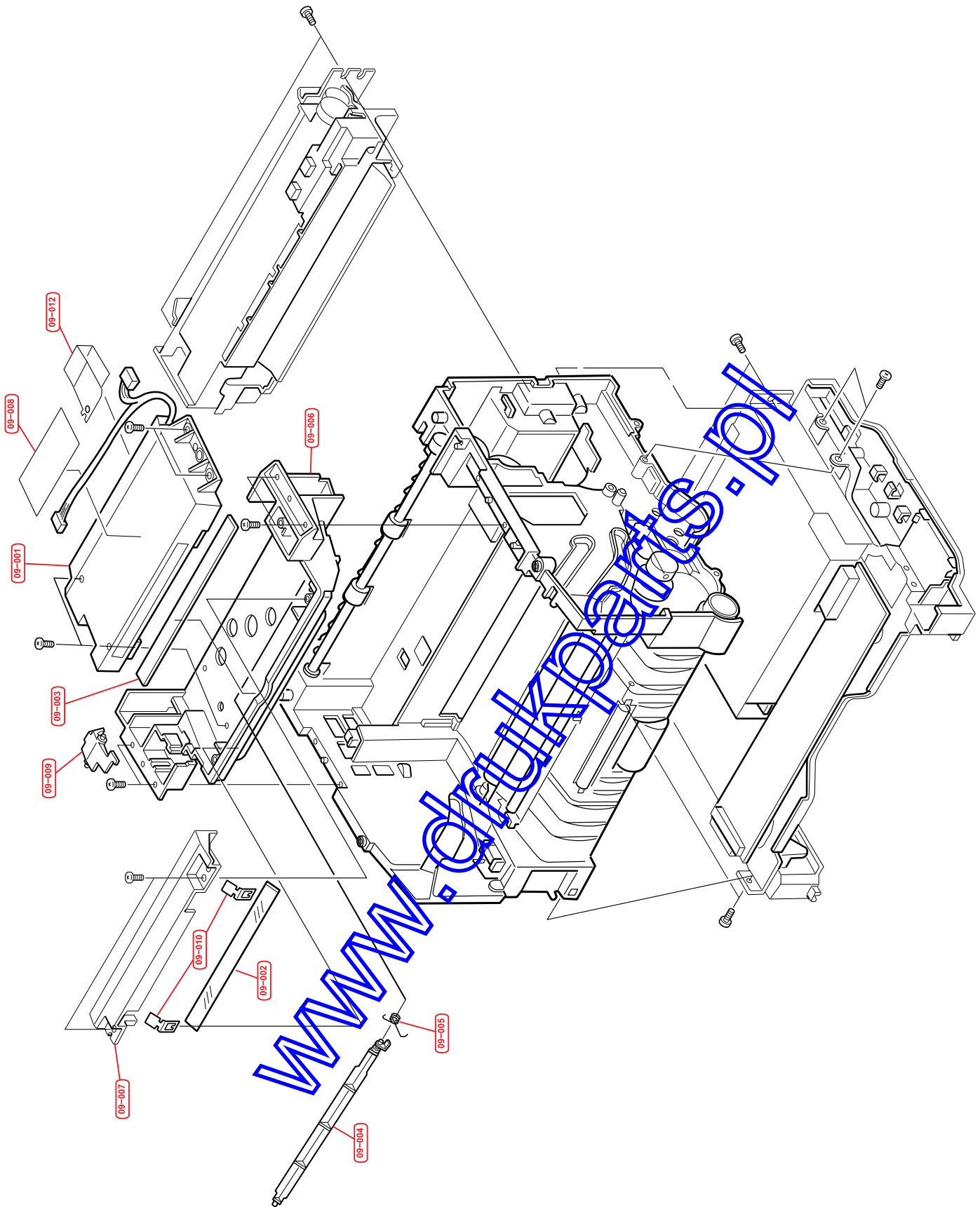


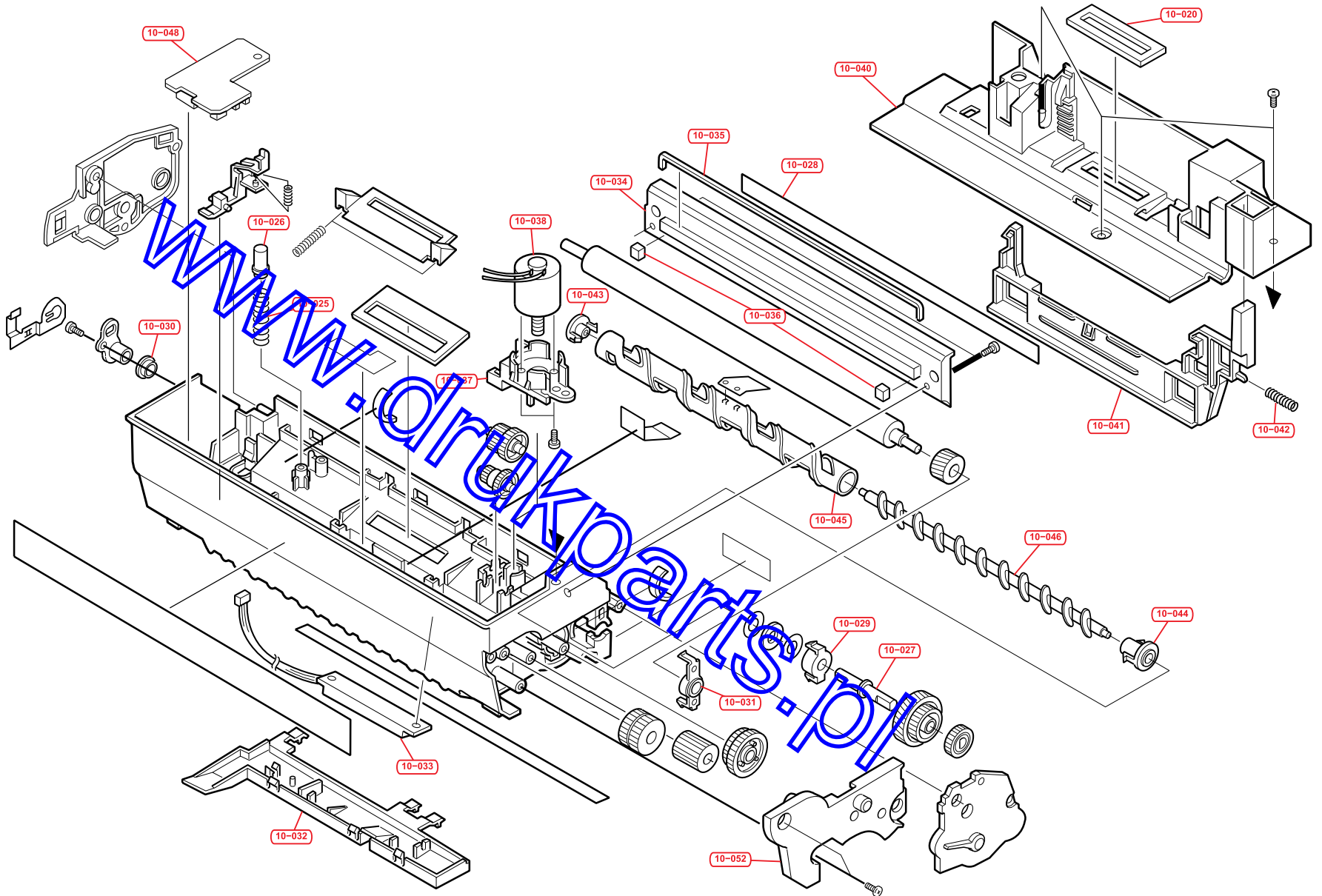
Fig.9 – Scanner Unit



Ref No.	Part Code	Description	Quantity
09-001	LK-16	Scanner (5PLPZYVAPKE)	1
09-002		Mirror Exit	
09-003		Glass Exit	
09-004		Shutter Scan	
09-005		spring Shutter	
09-006		Frame Middle	
09-007		Cover Scan	
09-008		Label Caution	
09-009		Lever Interlock	
09-010		Spring Mirror E	
09-011		Bind T.T. Screw (+)	
09-012		Earth AC	

[www.drukparts.pl](http://www.drukparts.pl)

Fig.10 - Developer Unit



Ref No.	Part Code	Description	Quantity
10-000	PU-18	Processor Unit	1
10-020		Seal Shutter Guide	
10-025		Spring Lid DLP	
10-026		Cap DLP	
10-027		Pin Mixer	
10-028		Seal Cover Mag	
10-029		Bush Mixer	
10-030		Bush Mag L	
10-031		Bush Mag R	
10-032		Guide Paper DLP	
10-033		Toner Sensor	
10-034		Blade DLP	
10-035		Seal Blade	
10-036		Seal Blade Side	
10-037		Bracket Motor	
10-038		DC Motor	
10-039		Conn. Cord S02208	
10-040		Lid DLP	
10-041		Lever DLP	
10-042		Spring Lever	
10-043		Flange Tube L	
10-044		Flange Tube R	
10-045		Tube Mixer	
10-046		Shaft Mixer	
10-047		Scaper Sensor	
10-048		P.W. Board Assy	
10-052		Cover DLP	
10-A01		DLP Mech Elec Assy	
10-B01		P.W. Board Assy	