



PAGE PRINTER

**FS-5500**



# PARTS CATALOGUE

06-11-1998

# FS-5500 Parts Catalogue

## Table of Contents

Covers (Fig.1).....	3
Upper Frame unit (Fig.2).....	5
Lower frame unit (Fig.3).....	8
Under frame (Fig.4).....	11
Controller box unit (Fig.5).....	13
Face-down unit (Fig.6).....	15
Fuser Unit (Fig.7).....	17
Harness – upper frame (Fig.8).....	19
Harness – under frame (Fig.9).....	21

## Introduction

The figures which follow depict the major assemblies of the printer or option, broken down into components. Following each figure are the list giving the following information:

- 'Ref No.' ..... Reference number which corresponds to the parts in the figure
- 'Part code'..... Part code which identifies the part
- 'Part description' ..... A brief description of the part
- 'Quantity'..... Quantity of the part used in the printer or option

Only the parts highlighted in BOLD should be ordered. All other parts are for reference only and are not stocked.

## Consumables and Maintenance Kits

TK-8	Toner Kit
DK-7	Drum (20K pages)
DV-12	Developer (50K pages)
FK-8	Fuser (100K pages)

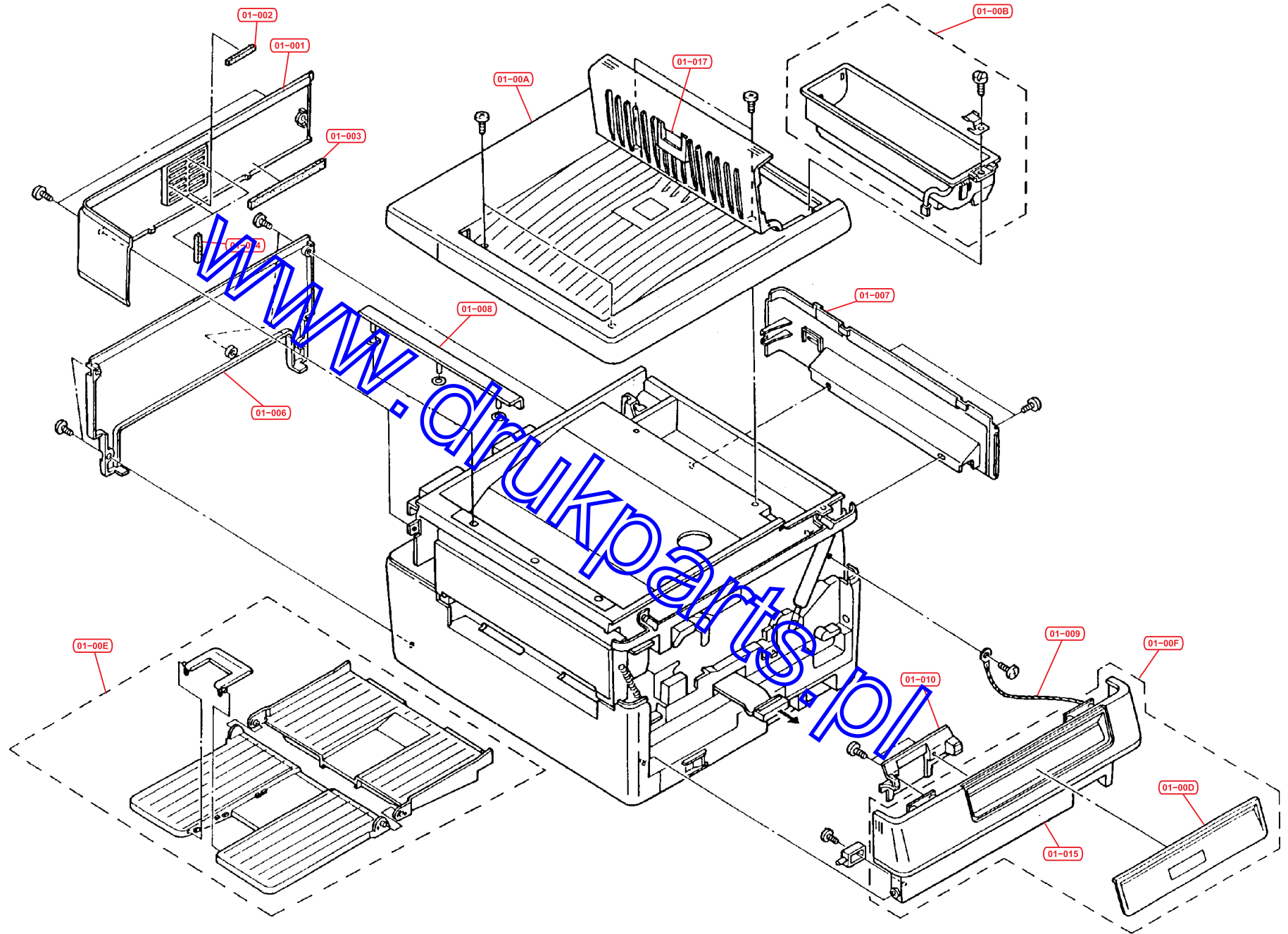


Fig.1 - Covers

Ref No.	Part Code	Description	Quantity
01-00A	5AAVCOVER174	COVER TOP ASSY	1
01-00B	5AAYL980**15	HOPPER TONER UNIT	1
<b>01-00D</b>	<b>5AAFZ5500E*1</b>	<b>KEYBOARD ASSY</b>	<b>1</b>
<b>01-00E</b>	<b>5AAVTRAY*001</b>	<b>REC. TRAY ASSY</b>	<b>1</b>
01-00F	5AAY5500E*18	COVER FRONT ASSY	1
01-001	5MVB9763SH028	COVER REAR UP	1
01-002	5MVS619RN002	PAD LOUVER B	2
01-003	5MVS719RN001	SEAL REAR COVER	1
01-004	5MVS619RN001	PAD LOUVER A	2
01-006	5MVB973SH006	COVER REAR LOW	1
01-007	5MVB976SH027	COVER RIGHT UP	1
01-008	5MVLX31SH005	COVER EXIT	1
<b>01-009</b>	<b>5MMW766LX001</b>	<b>WIRE COVER HOLD</b>	<b>1</b>
01-010	5AAVCOVER163	COVER CABLE ASSY	1
01-015	5MVB976SH025	COVER FRONT	1
<b>01-017</b>	<b>5MVB651SH001</b>	<b>COVER STOPPER</b>	<b>1</b>

www.drukparts.pl



Ref No.	Part Code	Description	Quantity
02-00B	5AAYF5000*07	SCANNER UNIT	1
02-00C	5AAY5500E*15	COVER SW ASSY	1
02-00D	5AAY5500E*20	FAN ASSY	1
02-00E	5AAY5500E*30	GEAR SUB ASSY	1
02-00F	5AAYL980**41	M FEED TRAY ASSY	1
02-00H	5AAYL980**43	MOTOR DLP ASSY	1
02-00I	5AAYL980**45	RAIL GUIDE DRUM ASSY	1
02-004	5MMG138SX007	GEAR Z22S MOTOR DLP	1
02-005	5MMG138SV001	GEAR Z22S JNT MOTOR	1
02-006	5MVS621SB001	PLATE FAN	1
02-007	5EZNF2402802*01	MOTOR FAN	1
02-008	5MVX766SB011	HOLDER FILTER	1
02-009	TNB71201***01	HI VOLTAGE UNIT 24V	1
02-010	5MMZ666SL001	BRACKET HVU	1
02-012	5MVB7645B006	DUCT FAN EXHAUST	1
02-013	5MMU664MD001	PAN DRUM	1
02-014	5MMX631SX001	LATCH	1
02-016	5MMW461LD002	SPRING LATCH	2
02-017	5MVF277NB008	BUSHING	2
02-018	5MMS6S8SL002	PLATE DLYOTR	1
02-019	5AACCNAN8GEA	CONN.CORD PCA2032	2
02-020	5MMX666SL004	BRACKET COVER UP	1
02-021	5MVS649RN002	SEAL FRAME MIDDLE	1
02-022	5MMX321SM001	CORD KEEP	4
02-023	5MVX331NN002	WIRE SADDLE	2
02-024	5AAVDAMPR003	DUMPER GAS SPRING	2
02-025	5MMX443SL002	BRACKET DUMPER B	1
02-026	5MVX821KX001	BRUSH DISCHARGE	1
02-027	5AAPRAPC1007AH	PWB ASSY	1
02-028	TNB45102***1	BIAS PWB	1
02-029	5MMX886SL005	FRAME TOP UPPER	1
02-043	5AAY5500E*26	MOTOR TONER ASSY	1
02-044	5MML442SL002	BRACKET SW HOPPER	1
02-046	5MVX222VB007	LEVER SW	1
02-047	5MVX442SB005	COVER SW	1
02-048	5AACCNAP4GEA	CONN.CORD PCA3041	1
02-049	5AAXSW023GEA	HOPPER SW ASSY	1
02-050	5MML421SL005	PLATE LEVER LOCK	1
02-051	5MVS222VB001	SHEET SCANNER	2
02-054	5MMX442SL002	BRACKET DUMPER	1
02-055	5MMS658SL001	PLATE PIVOT F	1
02-056	5AAVMGNET003	MAGNET CATCH	2
02-057	5MVB965SH001	COVER INNER FRONT UP	1
02-058	5MVSX29RN00S	SEAL FRAME UPPER	1



Ref No.	Part Code	Description	Quantity
02-059	5MVX663DD001	KNOB RELEASE	1
02-060	5MMW361SD002	SPRING LEVER LOCK	1
02-061	5MVX632DG001	LEVER LOCK DLP	1
02-062	5MMX532SL006	BRACKET MAGNET	1
02-063	5AAXSW024GEA	FRONT SW ASSY	1
02-064	5MMX432SL003	PLATE SW F COVER	1
02-065	5MML321RD001	PLATE EARTH F SWITCH	1
02-066	5APRVRC1006AH	BIAS ADJ PWB ASSY	1
02-067	5MVN286SG001	KNOB DENSITY VR	1
02-068	5AAVFRAME079	FRAME UPPER ASSY	1
02-070	5MMX432RD002	PLATE EARTH UP	1
02-073	5AAXLP013GEA	ERASER LAMP ASSY	1
02-077	5MVX832CB002	HOLDER ERASER	1
02-078	5MVX531XH002	PLUG MC	1
02-080	5MVS878SN001	PAD FUSER UPPER	1
02-081	5MMX332LD001	SPRING CLEANER	3
02-082	5MMX432LD001	SPRING SHAFT FD	2
02-083	5MMT966SZ001	SHAFT FD	1
02-084	5MVS318RN001	PAD FD	1
02-085	5MVS642KN002	SHEET FAN	1
02-086	5MVS824RN001	PAD LASER	1
02-087	5AAVF1LTR002	OZONE FILTER ASSY	1
02-088	5MMT274SZ003	STUD SCREW	4
02-089	5MVX41NN002	LOCKING CAM SPACER	4
02-090	5MVX211NN021	LOCKING CARD SPACER	4
02-091	5MVS767KX001	SHEET APC	1
02-092	5MVS837KF001	PAD PD UPPER	1
02-093	5MVK121NN001	EDGING SADDLE	1

www.diparts.com





Ref No.	Part Code	Description	Quantity
03-00A	5AAYF5000*27	TC SUPPORT ASSY	1
03-00B	5AAYL980**34	BELT TRANS ASSY	1
<b>03-00C</b>	<b>5AAYL980**35</b>	<b>ROLL REGIST UP ASSY</b>	<b>1</b>
03-00D	5AAYL980*36	FRAME FEEDER ASSY	1
<b>03-00E</b>	<b>5AAYL980*37</b>	<b>ROLL REGIST LOW ASSY</b>	<b>1</b>
03-00F	5AAYL980*38	ACTUATOR FEED ASSY	1
03-00G	5AAYL9X0*39	BKT JOINT FUSER ASHY	1
<b>03-00H</b>	<b>5AAYL980*40</b>	<b>PLT JOINT DRUM ASSY</b>	<b>1</b>
03-00I	5AAYL980*47	SHAFT CAM FEED ASSY	1
03-001	5MMX753SL003	BRACKET CONN.CORD LOW	1
03-002	5MVB966SH002	COVER INNER REAR	1
03-003	5MMW361LD002	SPRING JOINT DR	1
03-004	5MMX663SL006	BRACKET DUMPER E	1
<b>03-005</b>	<b>5MMX763SL012</b>	<b>LEVER LOCK</b>	<b>1</b>
<b>03-006</b>	<b>5MMM176CJ003</b>	<b>METAL BUSH KD</b>	<b>2</b>
<b>03-008</b>	<b>5EYYFAAE024**01</b>	<b>MICRO CLUTCH 72 6-A-1</b>	<b>1</b>
03-010	5MMW361LD001	SPRING FEEDER	1
03-018	5MMX321LD011	PIN STOPPER	1
<b>03-019</b>	<b>5AAVROLL*20</b>	<b>ROLL FEED ASSY</b>	<b>1</b>
<b>03-021</b>	<b>5MMM121XJ001</b>	<b>REGIST ROLLER BUSH</b>	<b>2</b>
<b>03-022</b>	<b>5MMW345LJ002</b>	<b>REGIST SPRING A</b>	<b>2</b>
<b>03-024</b>	<b>5AAVSHILD031</b>	<b>TC ASSY</b>	<b>1</b>
03-025	5MMX852SN003	GUIDE FEED UP	1
<b>03-026</b>	<b>5AAY5500E*24</b>	<b>RIGHT SW ASSY</b>	<b>1</b>
<b>03-027</b>	<b>5MVX411SB001</b>	<b>LEVER MICRO SW</b>	<b>1</b>
<b>03-028</b>	<b>5MVX633SH002</b>	<b>HOLDER MICRO SW LOW</b>	<b>1</b>
<b>03-029</b>	<b>5MVX664SH001</b>	<b>HOLDER MICRO SW UP</b>	<b>1</b>
03-030	5MMX872SN001	GUIDE CHUTE LOW	1
03-031	5MMXH42SN001	GUIDE CHUTE UP	1
03-032	5MMX832SX002	GUIDE FEED MIDDLE	1
03-033	5MVX643SH001	COVER INNER BASE	1
03-034	5MMX855SY001	GUIDE FEED LOW	1
<b>03-036</b>	<b>5MVX534DH001</b>	<b>KNOB RELEASE CASSETTE</b>	<b>1</b>
03-037	5MVB963SH004	COVER INNER FRONT LOW	1
03-038	5MMX553SL001	PLATE HOOK F	1
<b>03-039</b>	<b>5MVX632XH001</b>	<b>RECEPTACLE TC</b>	<b>1</b>
<b>03-040</b>	<b>5MVX331DB004</b>	<b>GUIDE FRONT DRUM</b>	<b>1</b>
03-042	5MMF121SZ001	BUSH PIVOT	2
03-043	5MMX222LD003	FOOK F RIGHT COVER	1
<b>03-045</b>	<b>TNB66201***03</b>	<b>HI VOLTAGE UNIT 24V</b>	<b>1</b>
03-050	5MMX222LD004	FOOK R RIGHT COVER	1
03-052	5MVS211KF013	SHEET FEED CLUTCH	1
03-055	5MVK121NN001	EDGING SADDLE	1
03-057	5MVM276DB004	ROLL TENSION	1

Ref No.	Part Code	Description	Quantity
03-058	5MVF277NB008	BUSHING	1
<b>03-059</b>	<b>5MVM19ORN002</b>	<b>BELT DRIVE MAIN</b>	<b>1</b>
<b>03-060</b>	<b>5MVG159DB001</b>	<b>GEAR Z50S</b>	<b>1</b>
<b>03-061</b>	<b>5MVG138DB16</b>	<b>GEAR Z30H-Z36S</b>	<b>1</b>
<b>03-062</b>	<b>5MMG069SX001</b>	<b>GEAR Z60H MOTOR</b>	<b>1</b>
03-066	5MMXS42SL002	PLATE HOOK R	1
03-067	5AAYSSOOE*25	UPPER FRAME SW ASSY	1
03-068	5MVU321SB002	HOLDER SHELL SW	1
03-069	5MMS726RD001	PLATE CABLE	1
<b>03-073</b>	<b>5AAXMT006GEA</b>	<b>MAIN MOTOR ASSY</b>	<b>1</b>
03-074	5AAVPLATE014	PLATE BASE UP ASSY	1
03-083	5AAVFRAME075	FRAME REAR LOW ASSY	1
03-084	5MVS323KN004	SHEET FEED ACTUATOR	1
03-085	5MVS812KN003	SHEET CHUTE	1
03-086	5MVX664SH002	COVER INNER B	1
03-087	5MMX321SM001	CORD KEEP	2
03-088	5MVVL311WN17	LABEL HV CAUTION	1

www.drukparts.nl

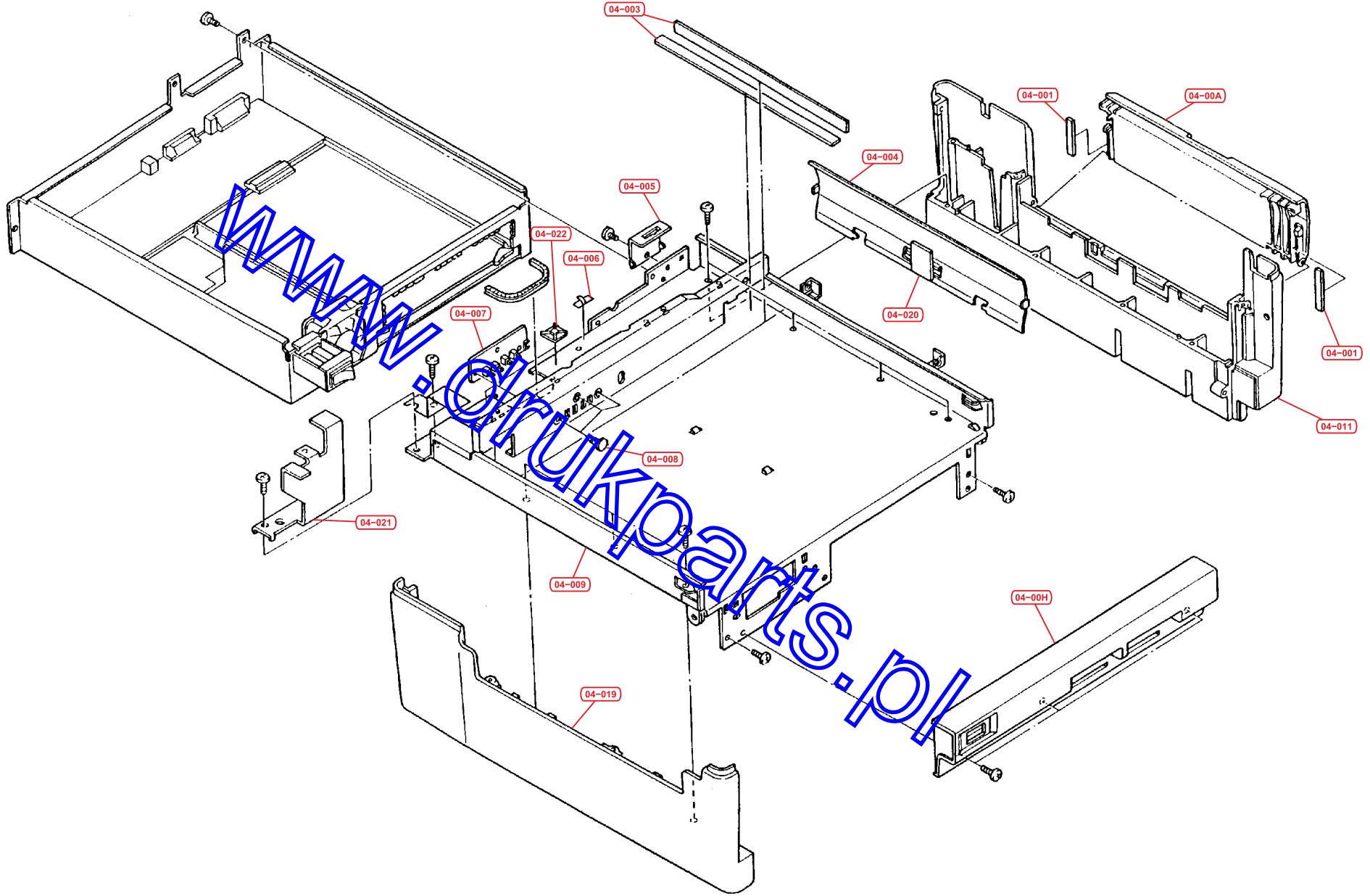


Fig.4 - Under frame

Ref No.	Part Code	Description	Quantity
<b>04-00A</b>	<b>5AAVCOVER173</b>	<b>BASE R COVER ASSY</b>	<b>1</b>
04-00H	5AAY5500E*19	BASE FRONT ASSY	1
04-001	5MVS227RH001	SPACER R COVER	2
04-003	5MVS811KN004	SLIDER CASSETTE R	4
04-004	5MMXB62SN001	GUIDE FEED ROLL	1
04-005	5MML542SL005	BRACKET CONNECTOR LOW	1
04-006	5MMX332SM001	CORD KEEP	1
<b>04-007</b>	<b>5AAPRSWC1002CH</b>	<b>PWB ASSY CAS. SIZE</b>	<b>1</b>
04-008	5MVX211NN019	LOCKING. CARD SPACER	3
04-009	5AAVPLATE021	PLATE LOWER ASSY	1
04-011	5AAVBASE*009	BASE R ASSY	1
04-019	5AAVBASE*008	BASE L ASSY	1
04-020	5MVS653KF003	SHEET FEED	1
04-021	5MMX757SD001	BRACKET INNER COVER	1
04-022	5MVX221NN027	CABLE TIE HOLDER	1
04-023	5MMS621AJ001	SHEET EARTH BASE LOW	1

[www.drukparts.nl](http://www.drukparts.nl)

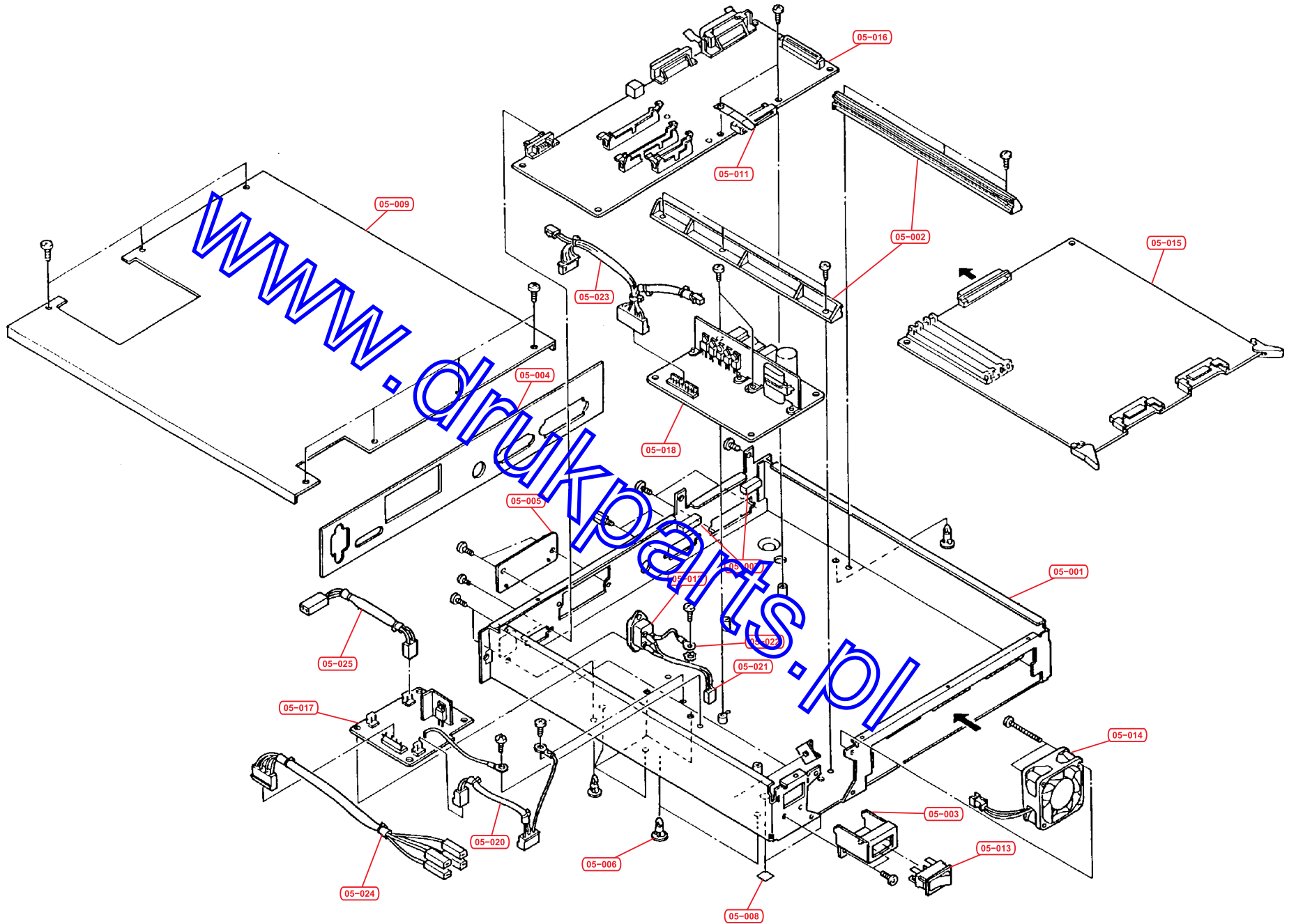


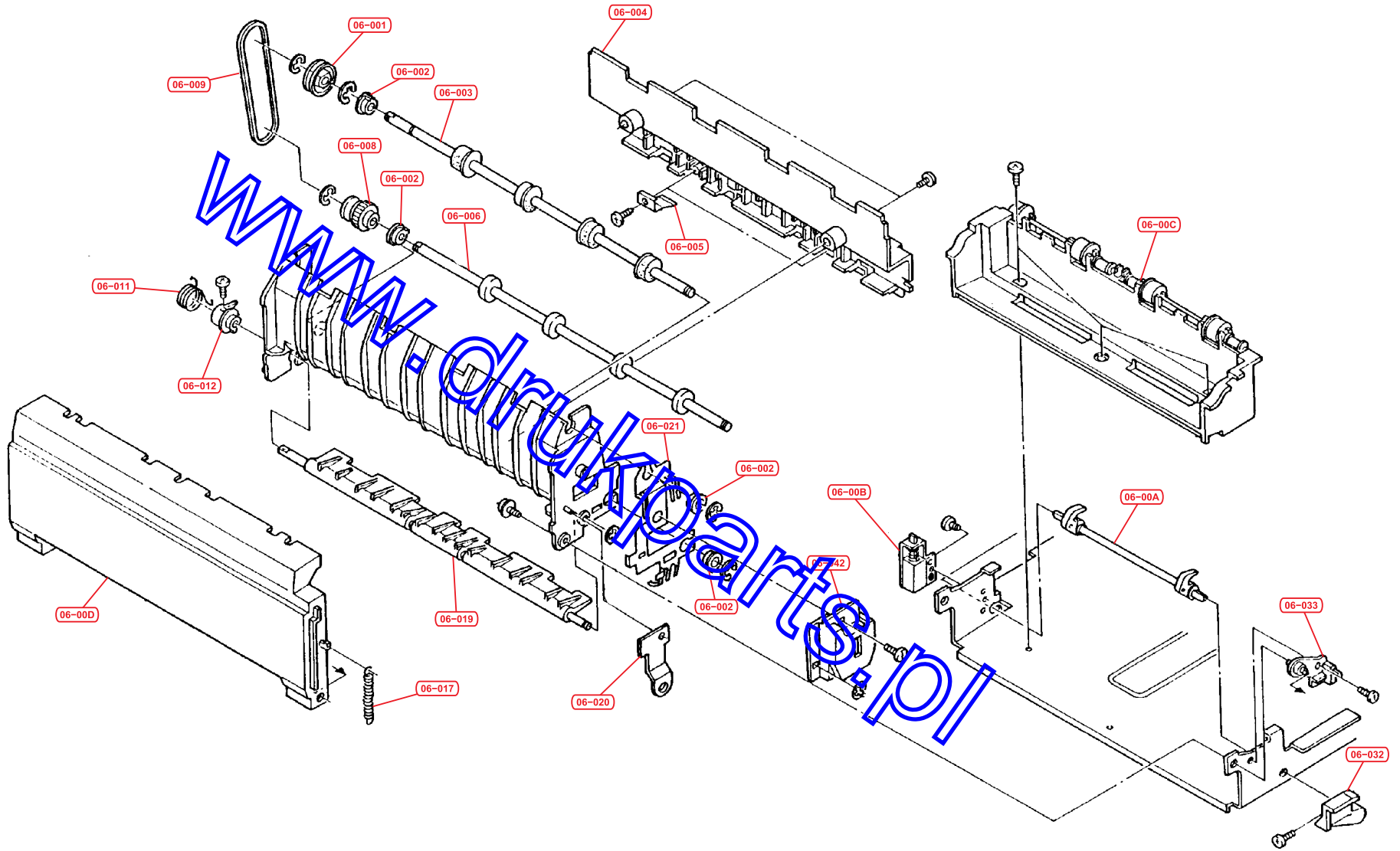
Fig.5 - Controller box unit

Ref No.	Part Code	Description	Quantity
05-001	5AAVFRAME078	CONTROLL BOX ASSY	1
05-002	5MVX822SL001	GUIDE RAM PWB	2
05-003	5MMX554SL001	BRACKET SWITCH	1
05-004	5MVS865CE004	SHEET PANEL REAR	1
05-005	5MMS646SL004	PLATE CONNECT.8	1
05-006	5MVX211NN019	LOCKING CARD SPACER	9
05-007	5MVS211RN002	SEAL TAP	2
05-008	5MVS223KB001	F MASK SEAL	1
05-009	5MMS986SL016	LID CONT BOX	1
05-010	5MVX221NN027	CABLE TIE HOLDER	3
05-011	5MMX414LD001	GUIDE MAIN PWB	1
05-012	5AAYS500E*28	INLET ASSY	1
05-013	5ESC020107**01	SEE-SAW SW.ULCSA	1
05-014	5EZNF2403002*01	FAN MOTOR	1
<b>05-015</b>	<b>5AAPRLGG4013AH</b>	<b>MAIN PWB ASSY</b>	<b>1</b>
<b>05-016</b>	<b>5AAPRCZG2012AH</b>	<b>ENGINE PWB ASSY</b>	<b>1</b>
<b>05-017</b>	<b>5AAPRZZC1030BH</b>	<b>AC PWB ASSY</b>	<b>1</b>
<b>05-018</b>	<b>5AAEZ4000E*1</b>	<b>SWITCHING REGULATOR</b>	<b>1</b>
05-020	5AACCNJL9GEA	CONN.CORD S00603	1
05-021	5AACCNLP1GEA	CONN.CORD ASSY	1
05-022	5AACCNLT2GEA	CONN.CORD ASSY	1
05-023	5AACCNJL6GEA	CONN.CORD S00600	1
05-024	5AACCNJM3GEA	CONN.CORD S00607	1
05-025	5AACCNJL8GEA	CONN.CORD S00602	1

www.drumsports.nl



Fig.6 - Face-down unit



Ref No.	Part Code	Description	Quantity
06-00A	5AAYL980**32	SHAFT RELEASE ASSY	1
<b>06-00B</b>	<b>5AAYL980**33</b>	<b>SOLENOID ASSY</b>	<b>1</b>
06-00C	5AAYL980**55	FRAME LOWER FD ASSY	1
06-00D	5AAYL980**53	COVER FD ASSY	1
<b>06-001</b>	<b>5MVM177DB006</b>	<b>PULLEY FD</b>	<b>1</b>
06-002	5MMM176CJ003	METAL BUSH KD	4
<b>06-003</b>	<b>5MMT886SN003</b>	<b>ROLL FD EXIT</b>	<b>1</b>
06-004	5MVX866SH002	COVER INNER FD	1
06-005	5MMX221LD005	SPRING HOLDER	2
<b>06-006</b>	<b>5MMT886SN004</b>	<b>ROLL FD ENTER</b>	<b>1</b>
06-007	5MVX876SH013	FRAME FD	1
<b>06-008</b>	<b>5MVG138DB017</b>	<b>GEAR Z21S FD</b>	<b>1</b>
<b>06-009</b>	<b>5MVM190RB012</b>	<b>BELT FD</b>	<b>1</b>
06-011	5MMW171LD002	SPRING GUIDE FD	1
06-012	5MVX322DB008	ARM GUIDE FD	1
<b>06-017</b>	<b>5MMW661LD001</b>	<b>SPRING FD</b>	<b>1</b>
06-019	5MVX88SSH002	GUIDE FD	1
06-020	5MMX422RD001	PLATE EARTH	1
06-021	5MMX765RD001	PLATE EARTH FD	1
<b>06-032</b>	<b>5MVN460DG001</b>	<b>LEVER RELEASE</b>	<b>1</b>
06-033	5MVX442CB002	PLATE PIVOT FD	1
06-042	5MVX663SH004	COVER FRONT FD	1

www.drumparts.pl

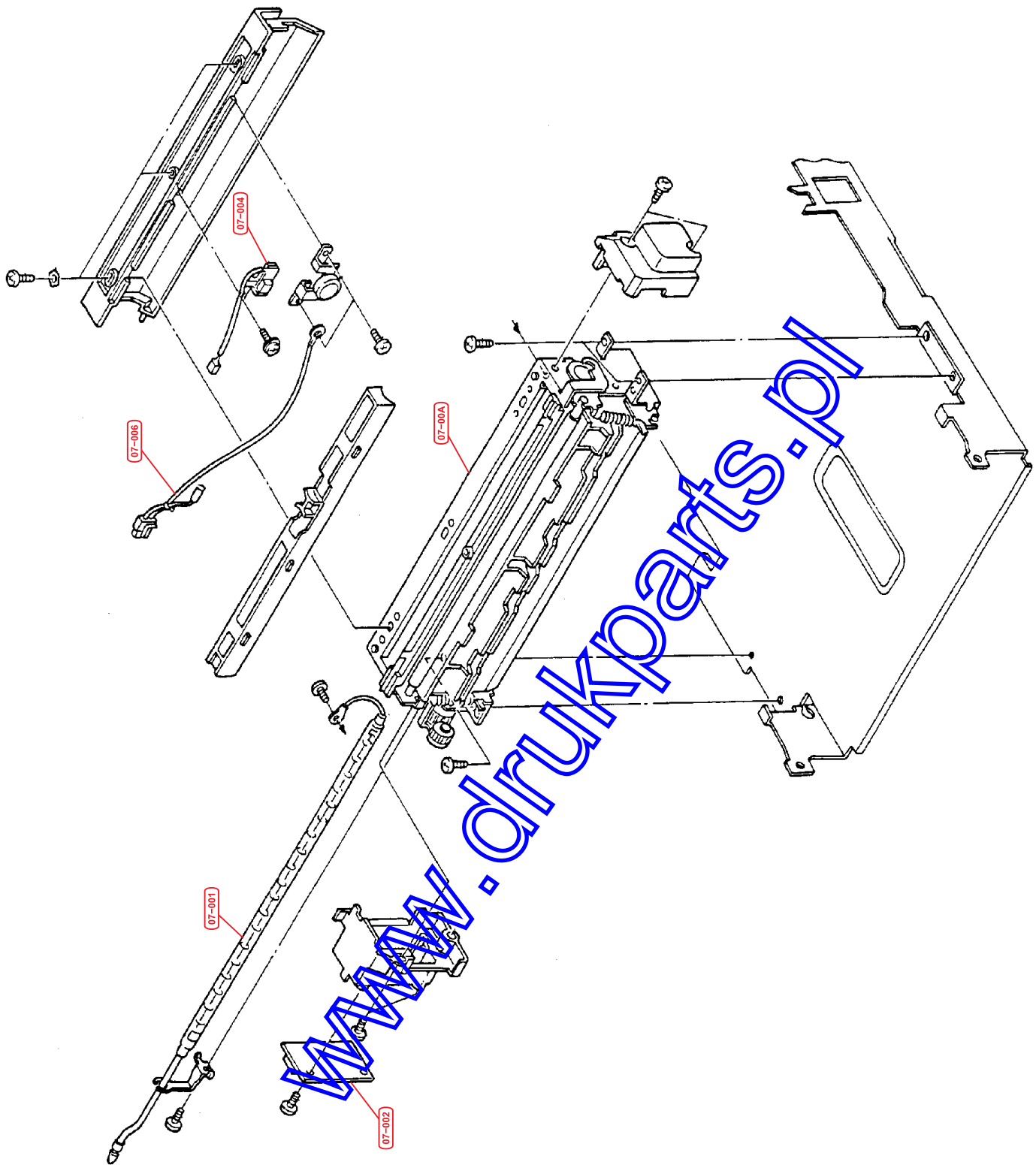


Fig.7 - Fuser Unit

Ref No.	Part Code	Description	Quantity
07-000	FK-8	FUSER UNIT	1
07-00A	5AAY5500E*21	FUSER MECH UNIT	1
07-001	5EZPB2412920101	HEATER LAMP	1
07-002	5AAPRHCC1005AH	Heater PWB ASSY	1
07-004	5AAXTM003GEA	THERMISTOR ASSY	1
07-005	5EYFFQ23001**01	THERMOSTAT 240V 230C	1
07-006	5AACCNLW5GEA	CONN CORD S00623	1
	5MMT887AX003	HEATER ROLLER	1
	5MMT886SX016	PRESS ROLLER	1

[www.drukparts.pl](http://www.drukparts.pl)

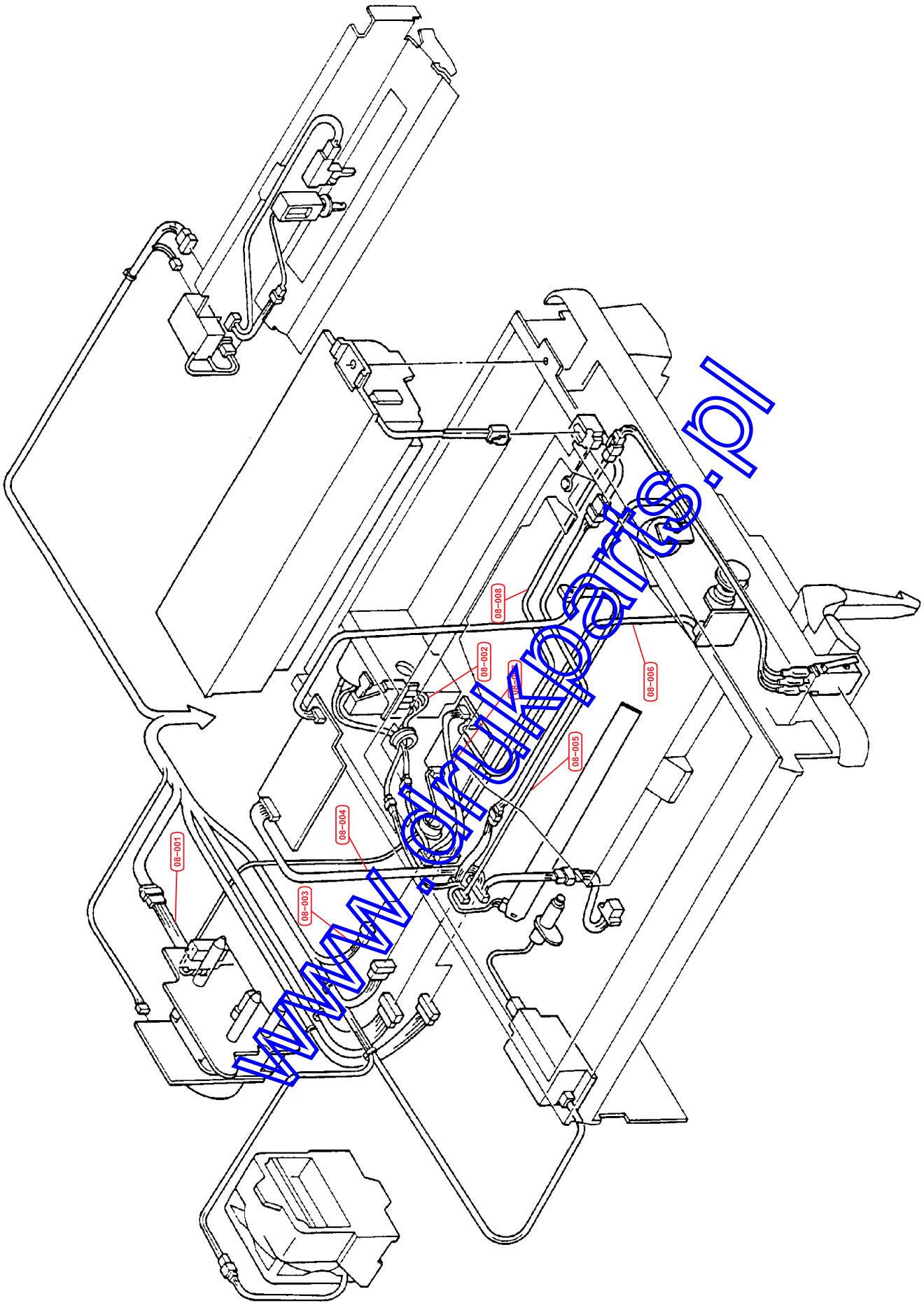


Fig.8 - Harness - upper frame

Ref No.	Part Code	Description	Quantity
08-001	5AACCNJL0GEA	CONN CORD S00594	1
08-002	5AACCNGU6GEA	CONN CORD S00331	1
08-003	5AACCNJL1GEA	CONN CORD S00595	1
08-004	5AACCNJK2GEA	CONN CORD S00586	1
08-005	5AACCNJK4GEA	CONN CORD S00588	1
08-006	5AACCNJK7GEA	CONN CORD S00591	1
08-007	5AACCNJK9GEA	CONN CORD S00593	1
08-008	5AACCNJK3GEA	CONN CORD S00587	1
08-009	5AACCNGU5GEA	CONN CORD S00330	1

[www.drukparts.pl](http://www.drukparts.pl)



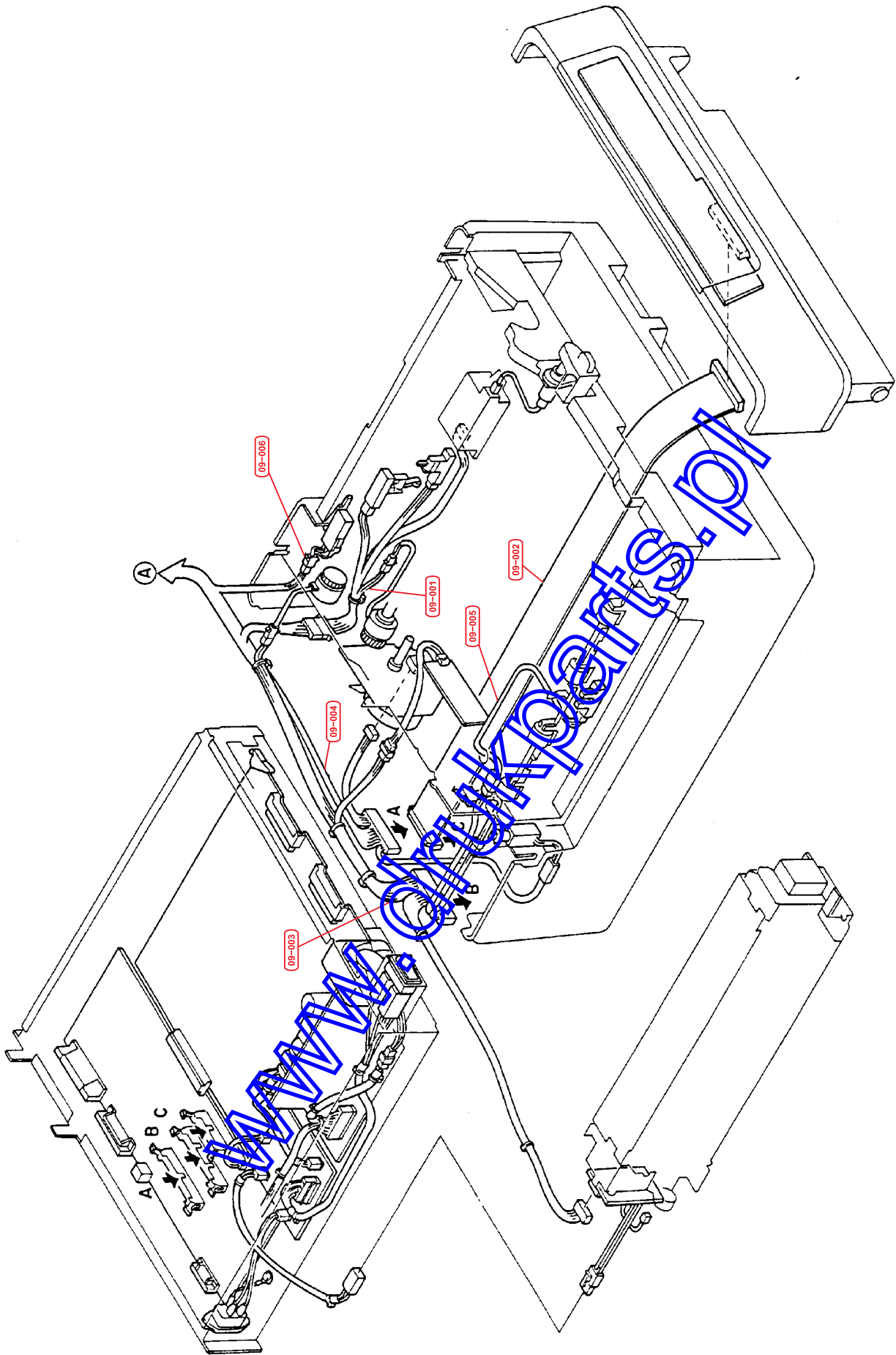


Fig.9 - Harness - under frame

Ref No.	Part Code	Description	Quantity
09-001	5AACCNGT2GEA	CONN CORD S00307	1
09-002	5AACCNJJ7GEA	CONN CORD S00581	1
09-003	5AACCNJM2GEA	CONN CORD S00606	1
09-004	5AACCNJM1GEA	CONN CORD S00605	1
09-005	5AACCNJL5GEA	CONN CORD S00599	1
09-006	5AACCNJL2GEA	CONN CORD S00596	1
09-007	5AACCNLW4GEA	CONN CORD S00622	1

[www.drukparts.pl](http://www.drukparts.pl)