



PAGE PRINTER

FS-400



PARTS CATALOGUE

06-11-1998

FS-400 Parts Catalogue

Table of Contents

Enclosure Unit (Fig.1).....	3
Cassette Assy (Fig.1a).....	5
Covers (Fig.2).....	7
Frame Unit (Fig.2a).....	9
Controller Unit (Fig.3).....	12
Drive Unit (Fig.4).....	14
Fuser Unit (Fig.5).....	16
Face Down Unit (Fig.6).....	18
Drum Unit (Fig.8).....	20
Developer Unit (Fig.9).....	23

Introduction

The figures which follow depict the major assemblies of the printer or option, broken down into components. Following each figure are the list giving the following information:

'Ref No.' Reference number which corresponds to the parts in the figure
'Part code'..... Part code which identifies the part
'Part description' A brief description of the part
'Quantity'..... Quantity of the part used in the printer or option

Only the parts highlighted in BOLD should be ordered. All other parts are for reference only and are not stocked.

Consumables and Maintenance Kits

TK-11 Toner Kit

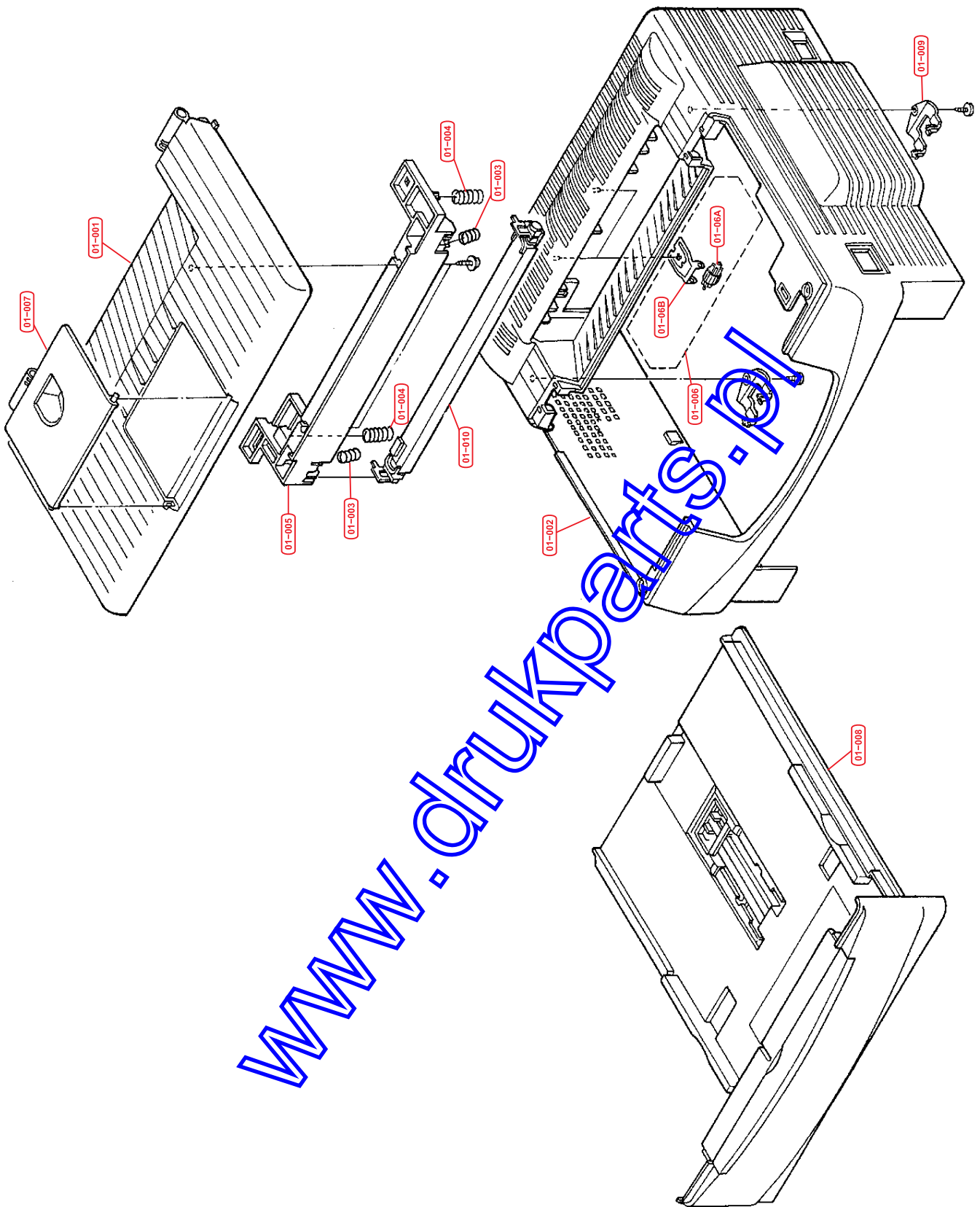


Fig.1 - Enclosure Unit

Ref No.	Part Code	Description	Quantity
01-001	5MVX884SH005	COVER TOP	1
01-002	5MVX887SH001	COVER OUTER FS-400	1
01-002	5MVX887SH002	COVER OUTER FS-400A	1
01-003	5MMW261LD011	SPRING LED	2
01-004	5MMW261LD012	SPRING HOLDER	2
01-005	5MVX863SB008	HOLDER LED	1
01-006	5AAVPULLY012	PULLEY EXIT ASSY	2
01-06A	5MVM366DB001	PULLY EXIT	1
01-06B	5MMX332LD005	SPRING EXIT	1
01-007	5MVU761SH001	TRAY EXIT	1
01-008	5AAVCASET190	CASSETTE ASSY PC-13	1
01-009	5MVL442SH001	LOCKING COVER	2
01-010	LK-58	LED HEAD ASSY	1
01-014	5MVVSFS400E1	SERIAL NO. PLATE FS-400	1
01-014	5MVVSFS400A2	SERIAL NO. PLATE FS-400A	1
01-015	5MVVL641WN33	LABEL CAUTION	1
01-016	5MVVL752WN01	LABEL DIAGRAM	1

www.drukparts.nl

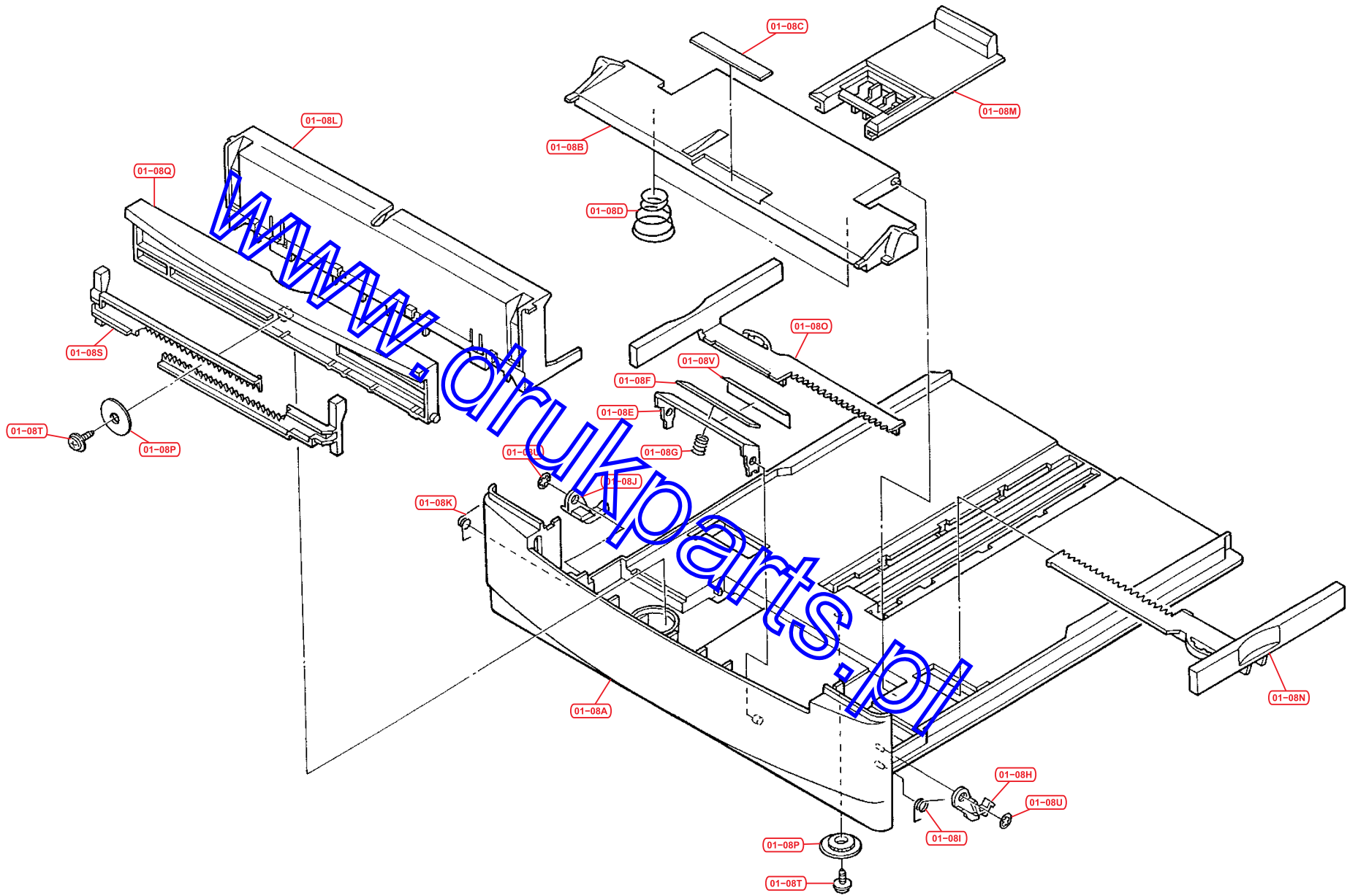
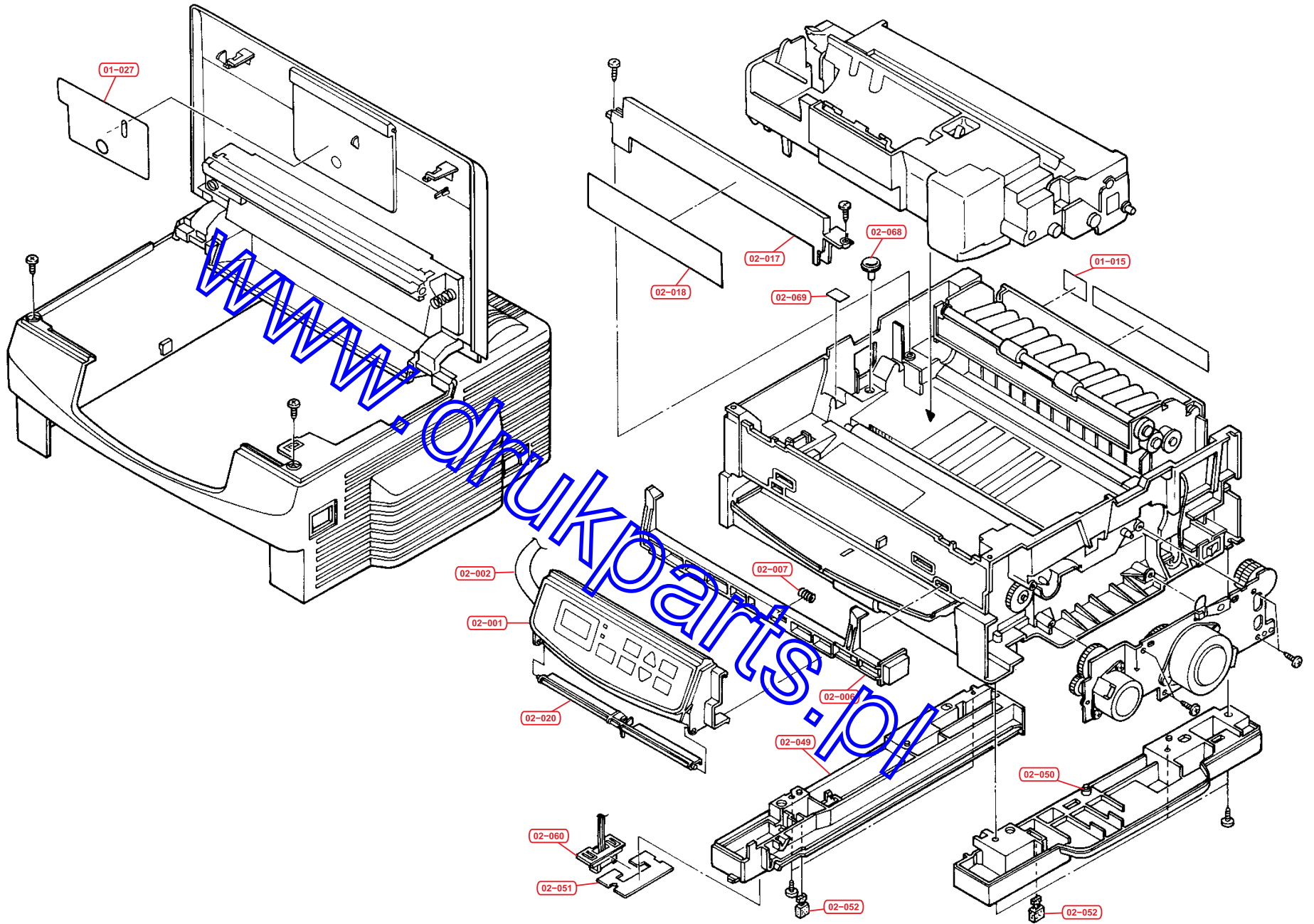


Fig. 1a - Cassette Assy

Ref No.	Part Code	Description	Quantity
01-000	5AAVCASET190	PAPER CASSETTE PC-13	1
01-08A	5MVB886SH036	BASE CASSETTE	1
01-08B	5MVB862SH009	BOTTOM	1
01-08C	5MVS617WK001	PAD FRICTION	1
01-08D	5MMW381LD001	SPRING BOTTOM	1
01-08E	5MVB633SH002	PAPER SEPARATOR	1
01-08F	5MVS617WK002	PAD SEPARATOR	1
01-08G	5MMW261LD013	SPRING SEPARATOR	1
01-08H	5MVX322DW002	LOCK CASSETTE R	1
01-08I	5MMW161LD021	SPRING LOCK RIGHT	1
01-08J	5MVX322DW003	LOCK CASSETTE L	1
01-08K	5MMW161LD020	SPRING LOCK LEFT	1
01-08L	5MVB865SH006	GUIDE FRONT	1
01-08M	5MVL562SH001	STOPPER	1
01-08N	5MVX772SH001	GUIDE SIDE R	1
01-08O	5MVX772SH002	GUIDE SIDE L	1
01-08P	5MVG127SH003	GEAR MANUAL	2
01-08Q	5MVB842SH001	BASE MANUAL	1
01-08R	5MVX642SH005	GUIDE MANUAL R	1
01-08S	5MVX642SH006	GUIDE MANUAL L	1
01-08T	5MBTP43005WZ	TP. T.T. SCREW (+)	2
01-08U	5MBCS3025XSP	CS STOP RING	2
01-08V	5MVS623KF005	SHEET CASSETTE	1
01-008	5AAYFS400E3A	SEPARATOR ASSY E&F&G	1

www.drawingparts.pl

Fig.2 - Covers



Ref No.	Part Code	Description	Quantity
01-014	5MVVSFS400E1	SER. NO. PLATE	1
01-015	5MVVL641WN33	LABEL CAUTION	1
01-027	5MVVL752WN002	LABEL DIAGRAM	1
02-001	5AAFZFS400E1	KEY BOARD ASSY	1
02-002	5AACCNNF3GEA	CONN CORD ASSY	1
02-006	5MVL852SH001	HOOK	1
02-007	5MMW561RD001	SPRING HOOK	1
02-017	5MVX832SH004	BASE HOLDER	1
02-018	5MVVL731WN13	LABEL FUSER CAUTION	1
02-020	5MVX722SB006	ACTUATOR MANUAL	1
02-049	5MVB863SH006	GUIDE CASSETTE L	1
02-050	5MVB854SH001	GUIDE CASSETTE R	1
02-051	5MMS646SD008	PLATE CONNECTOR	1
02-052	5MVX321RH001	FOOT	4
02-060	5AACCNNE7GEA	CONN CORD ASSY	1
02-068	5MVN276SG001	KNOB LED	1
02-069	5MVS225CB001	SHEET VOLUME	1

www.drukparts.pl

Ref No.	Part Code	Description	Quantity
02-003	5MVX887CB001	FRAME BASE	1
02-004	5MVZ632SB001	PLATE INTERLOCK	1
02-005	5MMW461LD005	SPRING INTERLOCK	1
02-008	5MMT454SZ001	PIN H/V	2
02-009	5MMW261LD010	SPRING H/V	2
02-010	5MVU332SB001	BKT INTERLOCK	1
02-011	5MVG137DN010	GEAR Z21H	1
02-012	5MMT366LD005	PIN GEAR	1
02-013	5MMZ631SD003	BRACKET CONNECT	1
02-014	5MVM366DW001	PULLEY EXIT FU	2
02-015	5MMT622SN002	SHAFT EXIT	1
02-016	5MMW231SD001	SPRING PULLEY	2
02-019	5MVU741SB001	ROM COVER	1
02-021	5MMT863LD003	ROLLER REGIST A	1
02-022	5MVX211DB012	BUSH REGIST A	2
02-024	5MMW167LD001	SPRING REGIST	2
02-025	5MVX874SB002	REGIST ENTRANCE	1
02-026	5MVM133DN001	BUSH SP PULLEY	2
02-027	5MMT876LD003	ROLLER REGIST B	1
02-028	5MVM176DN016	BUSH A	2
02-029	5MVG143DW001	GEAR REGIST Z33	1
02-030	5MVG137DW001	GEAR REGIST Z25	1
02-031	5MVG126DW002	GEAR REGIST Z16	1
02-032	5MVS722KF004	SHEET REGIST	1
02-033	5MVS825FF004	DISCHARGER	1
02-034	5MVS813KF004	SHEET T/R	1
02-035	5MMT876LD004	ROLLER TRANSFER	1
02-036	5MVX221DB016	BUSH TRANSFER L	1
02-037	5MVX221DB010	BUSH TRANSFER R	1
02-038	5MMW251LD013	SPRING TRANSFER R	1
02-039	5MVG127DB035	GEAR Z18	1
02-040	5MML132LD002	CONTACT TRANSFER	1
02-041	5MVX632SB012	ACTUATOR FEED	1
02-042	5MVM176DN016	BUSH A	2
02-043	5MVM766SB001	SHAFT FEED	1
02-044	5MVG133DB047	GEAR FEED Z25	1
02-045	5AAVROLL*025	ROLLER FEED ASSY	1
02-046	5MVX332DW001	BUSH FEED L	1
02-047	5MVX442SB008	ACTUATOR EMPTY	1
02-048	5MVM773DW001	PULLEY FEED	1
02-053	5MVK399SB001	BRACKET FAN	1
02-054	5MVS878RB002	SEAL FAN	1
02-055	5MMX221LD017	EARTH FRAME A	1
02-056	5MMX544LD001	EARTH FRAME B	1
02-057	5EZN2403701*01	FAN MOTOR	1

Ref No.	Part Code	Description	Quantity
02-058	5AACCNNF4GEA	CONN CORD ASSY	1
02-059	5AACCNNE6GEA	CONN CORD ASSY	1
02-061	5AACCNNQ8GEA	CONN CORD ASSY	1
02-062	5AACCNNN7GEA	CONN CORD ASSY	1
02-063	5AACCNNQ9GEA	CONN CORD ASSY	1
02-064	5AAPRSWC1005AH	Sencor PWB ASSY	1
02-065	5AAPRZZC1040AH	Interconnect PWB ASSY	1
02-066	5MVS635KB001	SHEET HARNESS	1
02-067	5MMW251LD010	SPRING TRANSFER L	1
02-070	5AAXRD013GEA	HIGH MEG. R59 ASSY	1
02-071	5MMX761SLS001	PLATE EARTH	1
02-072	5MVX862CB005	GUIDE PAPER	1
02-073	5MMW261LD012	SPRING HOLDER	1
02-074	5MVM133DN001	BUSH SP PULLEY	2
02-075	5MVS222XN002	SHEET FUSER	1
02-076	5MVS429RB004	SEAL BASE TONER	1

www.drukparts.pl

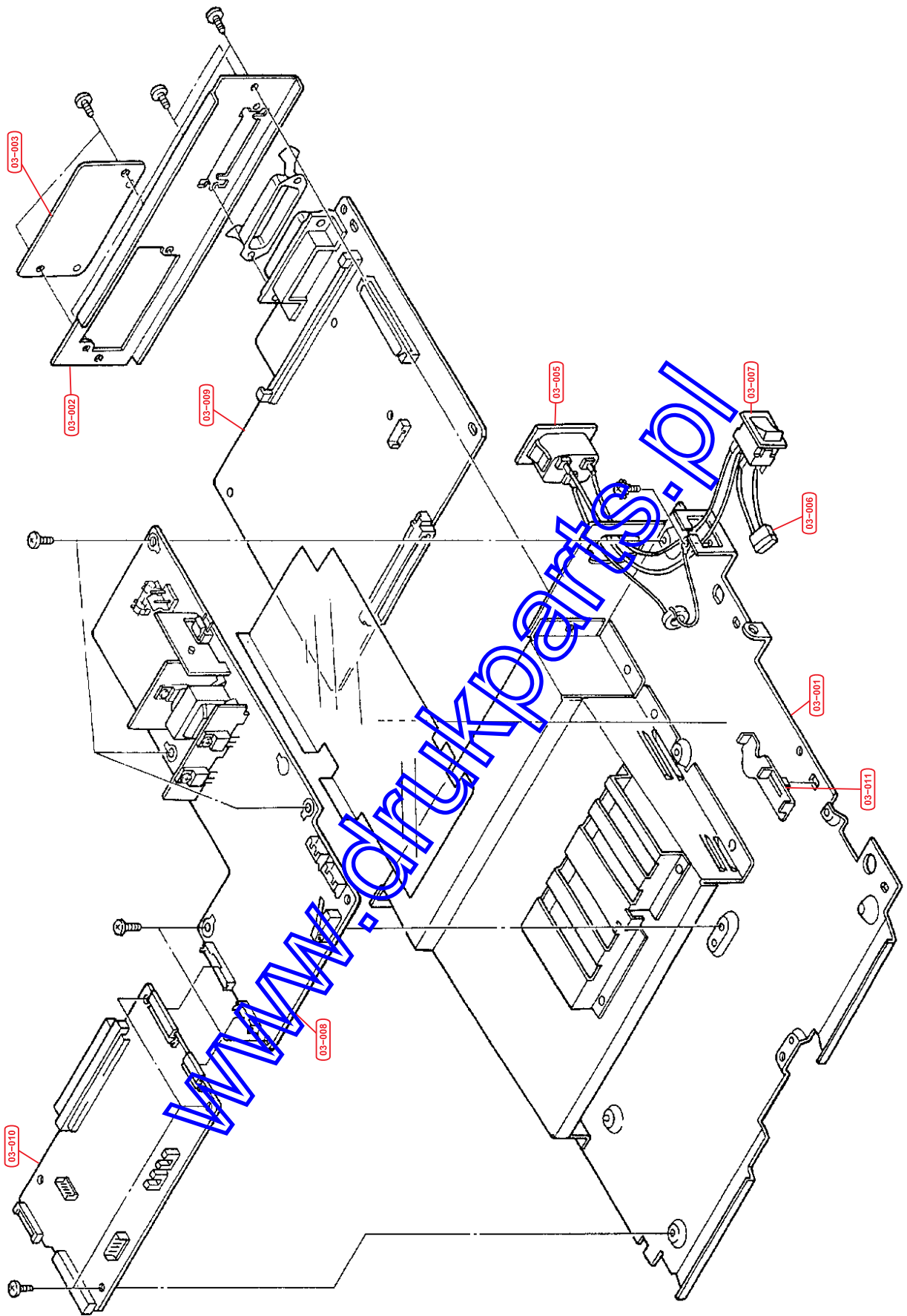


Fig.3 – Controller Unit

Ref No.	Part Code	Description	Quantity
03-001	5AAVFRAME087	CONT. ASSY	1
03-002	5MMU851SD001	PANEL REAR	1
03-003	5MMS646SD009	PLATE CONTROLLER	1
03-004	5MVS762KF005	SHEET CONTROLLER	1
03-005	5AACCNNR0GEA	AC INLET ASSY	1
03-006	5AACCNNF2GEA	CONN. CORD ASSY	1
03-007	5ESC020111***01	MAIN SWITCH	1
03-008	5AAEZFS400E*1	POWER SUPPLY UNIT 240V	1
03-008	5AAEZFD400A	POWER SUPPLY UNIT 120V	1
03-009	5AAPRLGC2004AH	Main PWB ASSY	1
03-010	5AAPRLGC2003AH	Engine PWB ASSY 240V	1
03-010	5AAPRLGC2003BH	Engine PWB ASSY 120V	1
03-011	5MVX321SN001	SPACER CONT	1

www.drukparts.pl

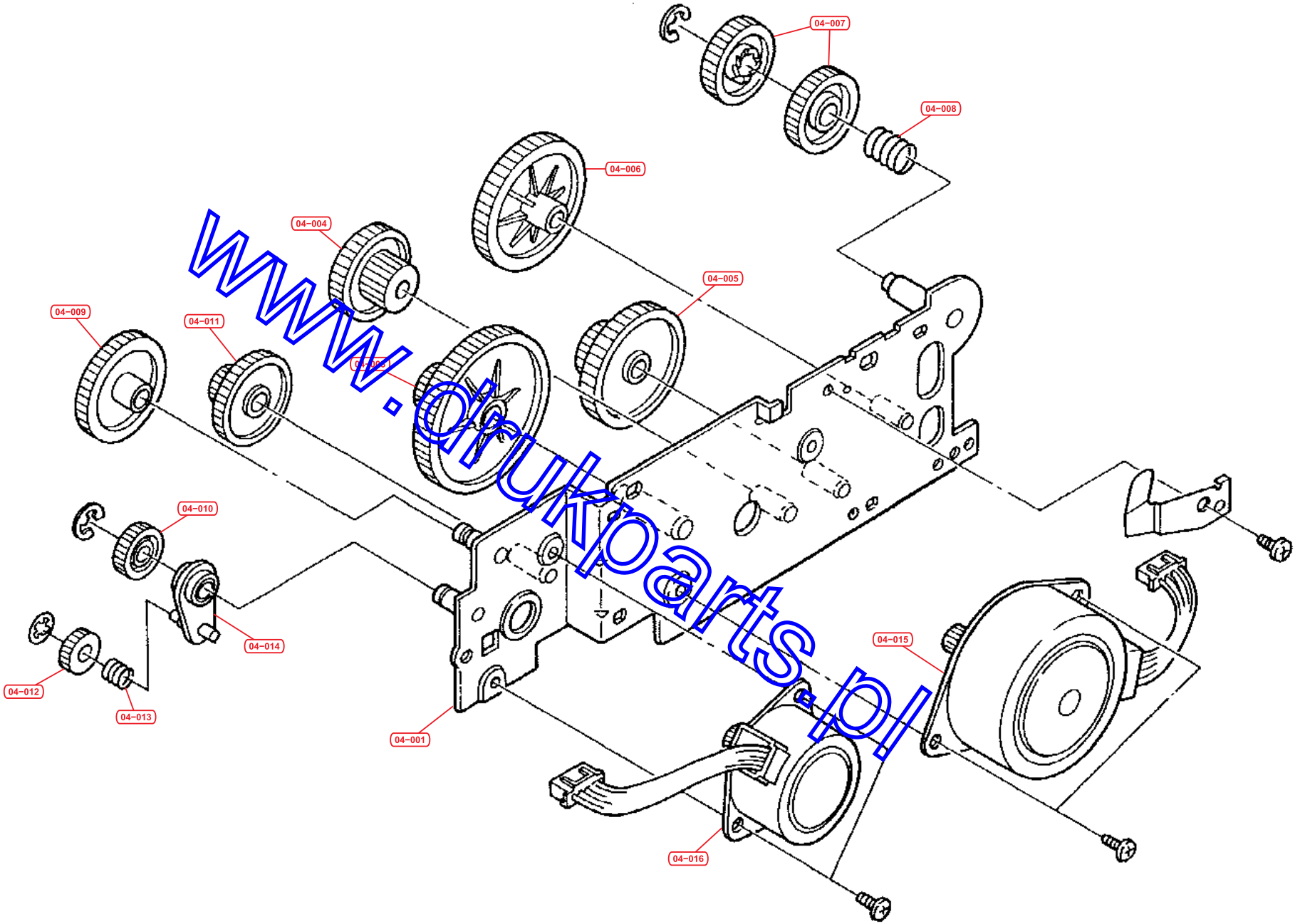


Fig.4 - Drive Unit

Ref No.	Part Code	Description	Quantity
04-000	5AAYFS400E04	DRIVE ASSY	1
04-001	5MMX867SD001	PLATE DRIVE	1
04-002	5MMP434LD001	PLATE EARTH	1
04-003	5MVG179DB002	GEAR Z102-H17	1
04-004	5MVG168DN010	GEAR Z58-Z18	1
04-005	5MVG158DN009	GEAR Z46-Z20	1
04-006	5MVG169DN009	GEAR Z54	1
04-007	5MVG148DN015	GEAR Z32	2
04-008	5MMW271LD006	SPRING GEAR	1
04-009	5MVG148DN014	GEAR IDLE Z40	1
04-010	5MVG127DN037	GEAR IDLE Z20	1
04-011	5MVG168DN009	GEAR Z14-Z60	1
04-012	5MVG127DN036	GEAR Z15	1
04-013	5MMW171LD004	SPRING MOVER A	1
04-014	5MVF226NN001	MOVER	1
04-015	5EZNT2400404*01	MAIN MOTOR	1
04-016	5EZNT2400403*01	FEED MOTOR	1

www.drukparts.pl

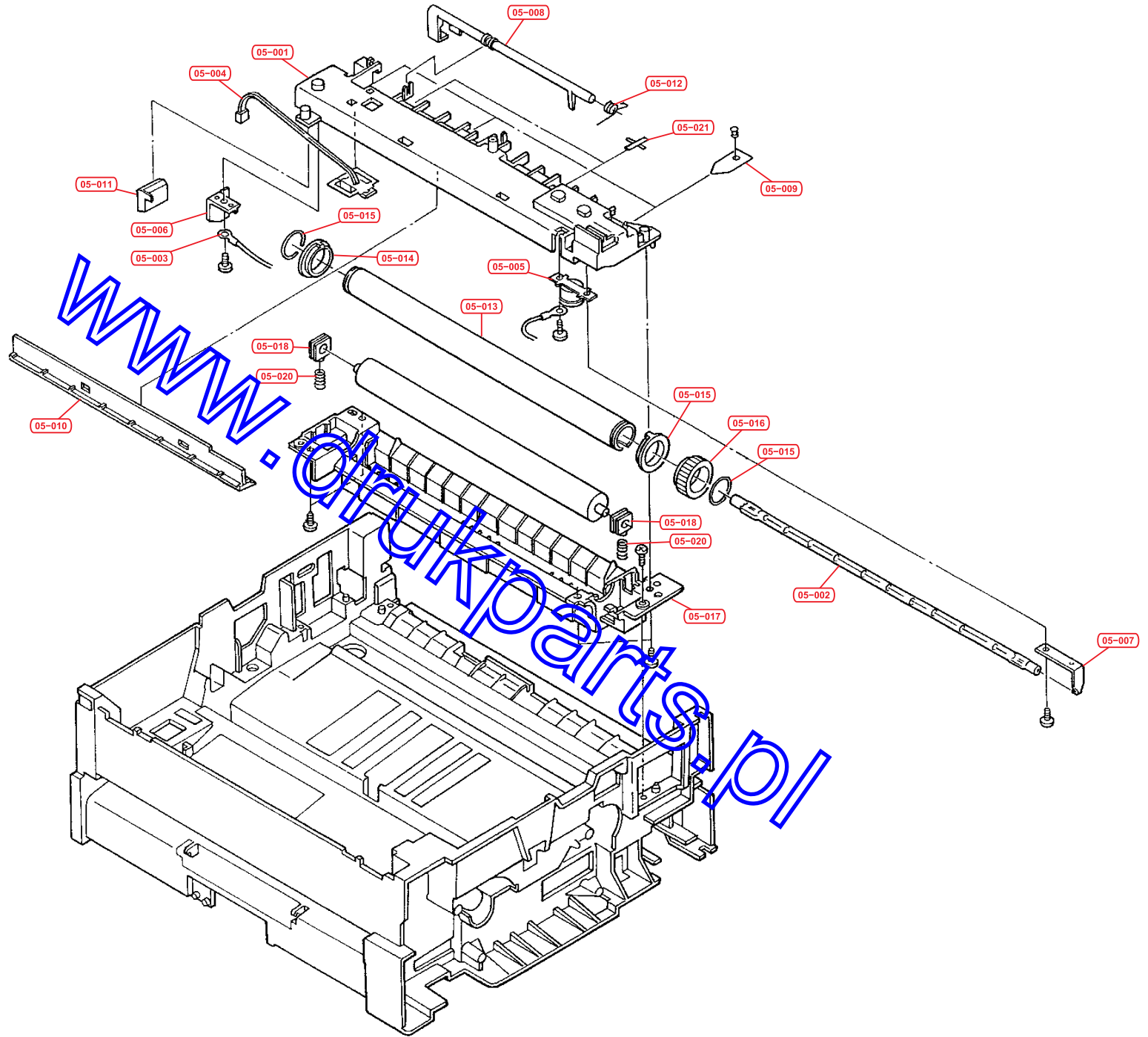


Fig.5 - Fuser Unit

Ref No.	Part Code	Description	Quantity
05-000	FK-55	FUSER KIT 240V	1
05-000	FK-55A	FUSER KIT 120V	1
05-001	5MVB863KB001	FRAME FUSER UP	1
05-002	5EZPB2411520101	LAMP HEATER 240V	1
05-002	5EZPB1212920101	LAMP HEATER 120V	1
05-003	5AACCNNF1GEA	CONN CORD ASSY 240V	1
05-003	5AACCNNR4GEA	CONN CORD ASSY 120V	1
05-004	5AAXTM006GEA	THERMISTOR ASSY	1
05-005	5EYFFQ15001**02	THERMAL CUT-OUT	1
05-006	5MMX222LD011	PLATE LAMP L	1
05-007	5MMX431LD003	PLATE LAMP R	1
05-008	5MVX721CB001	ACTUATOR FUSER	1
05-009	5MVX322XN003	SEPARATOR	4
05-010	5MVX822KB001	PLATE FUSER	1
05-011	5MVX322KB001	SUPPORT LAMP	1
05-012	5MMW161LD018	SPRING ACTUATOR	1
05-013	5MMT877AX002	ROLLER HEAT	1
05-014	5MVM188XN011	BUSH HEAT	2
05-015	5MMW171SJ002	RING STOP	2
05-016	5MVG138XN006	GEAR FUSER Z30	1
05-017	5MVB864KB001	FRAME FUSER LOW	1
05-018	5MVX221XN001	BUSH PRESS	2
05-019	5MMT876SN040	ROLLER PRESS	1
05-020	5MMW261LD008	SPRING FUSER	2
05-021	5MVM365CB001	PULLEY FUSER	2
05-022	5MMW361LD009	SPRING A	4
05-023	5MVX833KD001	PAPER CHUTE FUSER	1
05-024	5MMX322CD004	PLATE EARTH A	1

www.parts.jp

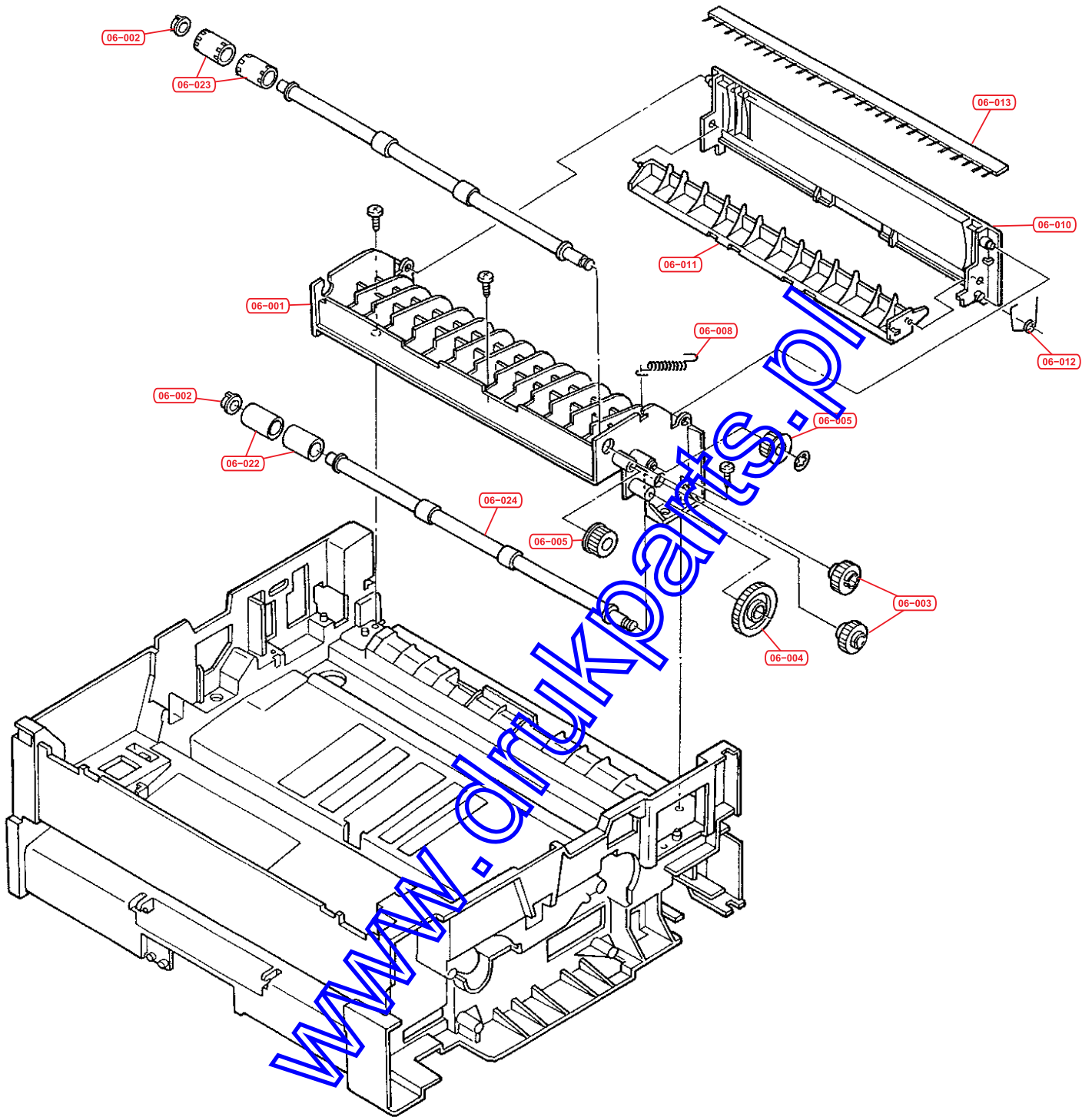


Fig.6 - Face Down Unit

Ref No.	Part Code	Description	Quantity
06-000	5AAYFS400E*09	FACE DOWN UNIT	1
06-001	5MVX866SH008	FRAME EXIT	1
06-002	5MVM176DN016	BUSH A	2
06-003	5MVG127DN033	GEAR EXIT Z20	2
06-004	5MVG148DN013	GEAR Z35	1
06-005	5MVG127DN032	GEAR Z18	2
06-006	5MVT866SB001	ROLLER EXIT	2
06-007	5MVM277RH001	TYRE EXIT FD	2
06-008	5MMW531SD001	SPRING COVER	1
06-009	5MVM277RH002	TYRE EXIT FU	2
06-010	5MVX863SH003	COVER REAR	1
06-011	5MVX832SH003	GUIDE CHANGE	1
06-012	5MMW161LD015	SPRING CHANGE	1
06-013	5MVS824XF003	DISCHARGER FD	1
06-014	5MVM177RH001	TYRE EXIT FD A	2
06-022	5MVM277RB009	TIRE EXIT	2
06-023	5MVM277RH001	TIRE EXIT FD	2
06-024	5AAYFS400E*21	ENTRANCE ROLLER	1
06-025	5AAYFS400E*28	EXIT ROLLER	1

www.drukparts.pl

Ref No.	Part Code	Description	Quantity
08-000	PU-1	PROCESS UNIT	1
08-001	5MVB866CB003	FRAME DRUM	1
08-003	5MVG037DN001	GEAR IDLE MC Z25H	1
08-004	5MVS811KF011	SEAL DRUM	1
08-005	5MVS217RB008	SEAL BLADE DRUM	2
08-006	5MVS318LB001	SEAL DRUM R	1
08-007	5MVS328LB001	SEAL DRUM L	1
08-008	5MVB865SB037	COVER DRUM	1
08-009	5MVS865AF001	SHEET AL	1
08-010	5MVG137DN006	GEAR SCREW Z23	1
08-011	5MVT865SB001	ROLL SWEEP	1
08-012	5MVG137DN007	GEAR SWEEP Z22	1
08-013	5MVG037DN002	GEAR IDLE SCREW	1
08-015	5MVS821KF014	SHEET SWEEP	1
08-016	5MVT864CB002	SCREW	1
08-017	5MVB865SB036	FRAME DRUM UP	1
08-018	5MMW161SD005	SPRING COVER DRUM	1
08-019	5MMC152LD001	PLATE BIAS MC	1
08-020	5MVM166CN001	BUSH DRUM R	1
08-021	5MVM166CN002	BUSH DRUM L	1
08-022	5MVM165DN004	BUSH SCREW	1
08-023	5MVM154XN001	BUSH SWEEP L	2
08-024	5MVM276DB009	BUSH S	1
08-025	5MMS322LD001	PLATE BIAS R	1
08-026	5MVG137DB057	GEAR IDLE MC Z23	1
08-027	5MVG126DB024	GEAR MC Z16	1
08-028	5MMT876SN041	ROLL MC	1
08-029	5MMT876SX009	ROLL CLN MC	1
08-030	5MVX331DB005	BUSH MR	1
08-031	5MVX331DB006	BUSH ML	1
08-032	5MVM166DB006	BUSH CLN MR	1
08-033	5MVM166DB007	BUSH CLN ML	1
08-034	5MMW174LD006	SPRING MC	2
08-035	5MVS821KF016	SHEET LED	1
08-036	5MMT865LD002	SHAFT DRUM	1
08-037	5AAVBLADE022	BLADE CLN ASSY	1
08-038	5AAYFS400E23	CASE BELT ASSY	1
08-039	5AAVDRUM*037	DRUM ASSY	1
08-040	5MVF147CB001	CAP DRUM R	1
08-041	5MVF147CB002	CAP DRUM L	1
08-042	5MVM150CB001	COLLAR DLP	1
08-044	5MVS819RB004	SEAL BLADE	1
08-045	5MVS826LF001	SEAL COVER DRUM	1
08-046	5MVS818RB007	SEAL MAG UP	1

Ref No.	Part Code	Description	Quantity
08-047	5MVS218LB001	SEAL SIDE MAG	2
08-048	5MVS608RB008	SEAL SCREW	1
08-049	5MVS811KF014	SEAL MAG	1
08-050	5MVVL832WN01	LABEL DRUM	1
08-051	5MVS822KF007	SHEET DRUM	1
08-052	5MVS831KF003	SHEET DRUM UP	1
08-053	5AAXLD027GEA	LED ARRAY	1
08-054	5MVS325CN001	SPACER BLADE	2
08-055	5MVS332KB001	SHEET SIDE MAG	1
08-056	5MBWT42642CG	GND WASHER	1
08-057	5MVL311SB001	GUIDE PAPER DRUM R	1
08-058	5MVL311SB002	GUIDE PAPER DRUM L	1

www.drukparts.pl

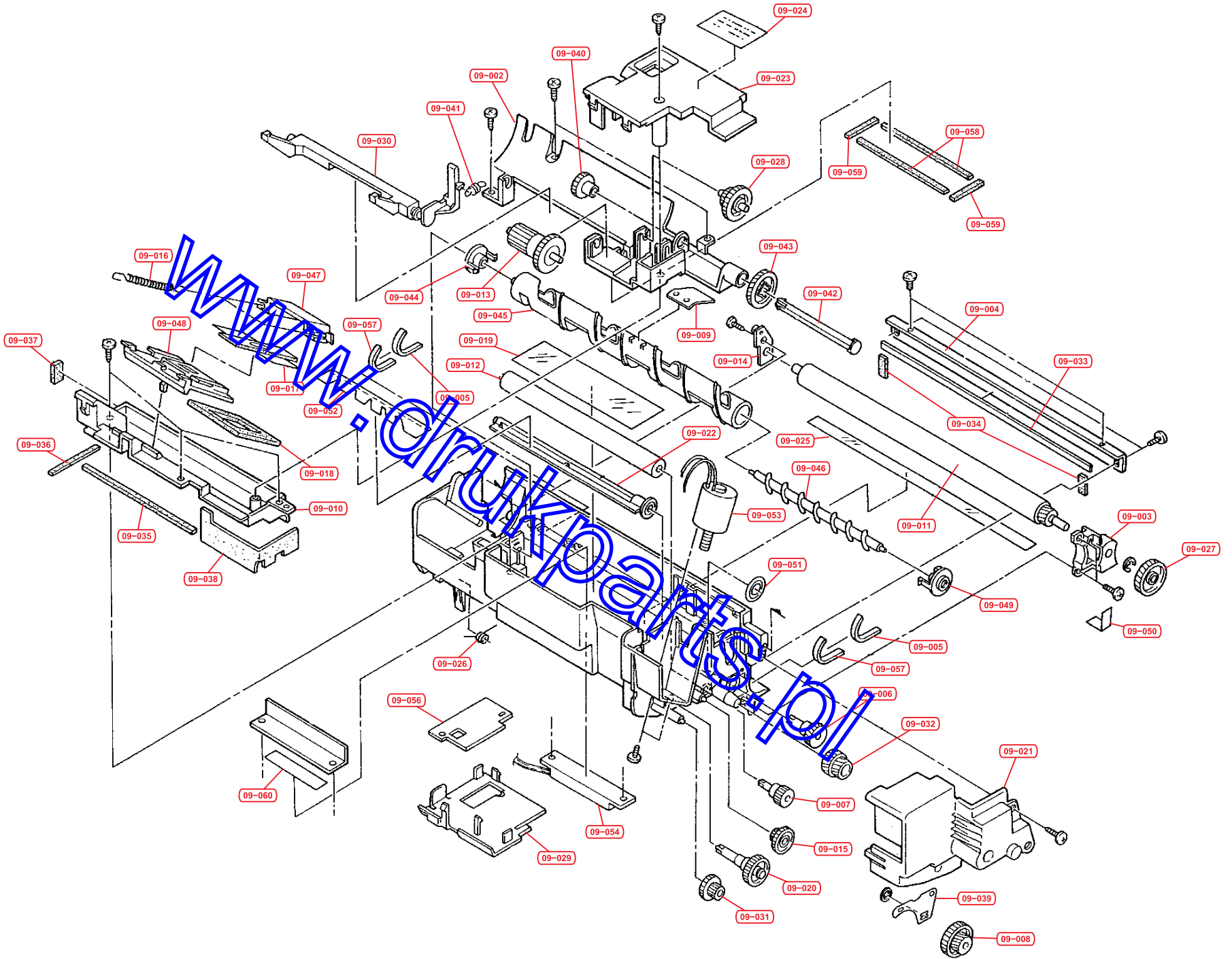


Fig.9 - Developer Unit

Ref No.	Part Code	Description	Quantity
09-001	5MVB866SB011	CASE DLP	1
09-002	5MVX865SB006	COVER DEVE	1
09-003	5MVX442DB002	FLANGE MG	1
09-004	5MML821BD003	BLADE DLP	1
09-005	5MVS418YF001	SEAL SIDE DLP	2
09-006	5MVG127DN034	GEAR MIXER	1
09-007	5MVG137DN009	GEAR SUPPLY	1
09-008	5MVG148DB028	GEAR Z31S-Z15S	1
09-009	5MVS227LB002	SCRAPER SENSOR	1
09-010	5MVX755SB001	COVER HOPPER	1
09-011	5AAVROLER025	ROLL MAG	1
09-012	5AAVROLER026	ROLL SUPPLY	1
09-013	5MVG148DB029	GEAR Z32S-Z17S	1
09-014	5MVS326SB005	PLATE ANGLE	1
09-015	5MVG147DN007	GEAR Z34S-Z17S	1
09-016	5MMW231SX003	SPRING SHUTTER	2
09-017	5MVS431YB001	SEAL SHUTTER DLP	1
09-018	5MVS448RJ001	SEAL SHUTTER GUIDE	1
09-019	5MVS731KJ001	TAPE SENSOR FACE	1
09-020	5MVG142DN002	GEAR SCRAPER	1
09-021	5MVX766SB012	BKT GEAR MOTOR	1
09-022	5MVX720SN001	SCRAPER DLP	1
09-023	5MVX765SB003	COVER DEP	1
09-024	5MVVL542WN03	LABEL DLP	1
09-025	5MVS821KF015	SHEET MAG	1
09-026	5MMW401LD002	SPRING TACT	1
09-027	5MVG133DN003	GEAR JOINT DRUM	1
09-028	5MVG333DN001	GEAR Z30S-Z17S	1
09-029	5MVX663SB010	COVER PWB	1
09-030	5MVX755CB001	HOOK CONT	1
09-031	5MVG142DN001	WORM WHEEL DLP	1
09-032	5MVG122DN002	GEAR Z18S-Z16S	1
09-033	5MVS817RF012	SEAL L	1
09-034	5MVS217RF018	SEAL S	2
09-035	5MVS717RJ001	SEAL HOPPER A	1
09-036	5MVS617RJ002	SEAL HOPPER B	1
09-037	5MVS217RJ005	SEAL HOPPER C	1
09-038	5MVS927RJ001	SEAL HOPPER D	1
09-039	5MMS433LD001	PLATE GEAR	1
09-040	5MVG127DN035	GEAR CONT Z19	1
09-041	5MMW161LD019	SPRING HOOK	1
09-042	5MVX660SB001	SHAFT GEAR	1
09-043	5MVG143DN001	GEAR Z31S	1
09-044	5MVM170DN006	FLANGE TUBE L	1
09-045	5MVM870SN002	TUBE MIXER	1

Ref No.	Part Code	Description	Quantity
09-046	5MVX821SN001	SHAFT MIXER	1
09-047	5MVX531SB003	SHUTTER DLP	1
09-048	5MVX662SB016	GUIDE SHUTTER DLP	1
09-049	5MVM276DB010	FLANGE TUBE R	1
09-050	5MML322LD002	PLATE BIAS	1
09-051	5MVS201KN002	SEAL SHIELD CNT	1
09-052	5MVS711KF002	SHEET SCRAPER	1
09-053	5AAYFS400E27	TONER MOTOR ASSY	1
09-054	5AAXTS018GEA	TONER SENSOR ASSY	1
09-056	5AAPRZZC2005AH	P.W. BOARD ASSY	1
09-057	5MVS412XJ002	TAPE SIDE DLP	2
09-058	5MVS818RF011	SEAL COVER DEVE L	2
09-059	5MVS218RF022	SEAL COVER DEVE S	2
09-060	5MVVL641WN35	LABEL CAUTION DLP	1
09-061	5MVS642KF005	SHEET SP	1
09-062	5MVS811RF008	SHEET BOTTOM DLP	1
09-063	5MML711RD001	PLATE SUPPLY	1
09-064	5MVS621KF011	SHEET SCRAPER A	1
09-065	5MVS621KF012	SHEET SCRAPER B	1
09-073	5MVS422RF003	SHEET FRANGE	1
09-074	5MVS324RF003	SHEET CASE R	1
09-075	5MVS224RF002	SHEET CASE L	1
09-076	5MVS628LB001	SEAL CASE SIDE	1

www.drumsparts.pl