



PAGE PRINTER

FS-3500



PARTS CATALOGUE

24-01-2000

FS-3500 Parts Catalogue

Table of Contents

Covers (Fig.1).....	3
Frame Unit (Fig.2).....	5
Drive Frame Unit (Fig.3).....	7
Controller Unit (Fig.4).....	10
Feed Unit (Fig.5).....	12
Fuser Unit (Fig.6).....	15
Face-down Unit (Fig.7).....	17
Drum Unit (Fig.8).....	19
LED Unit (Fig.9).....	22
Developer Unit (Fig.10).....	24
Harness (Fig.11).....	27

Introduction

The figures which follow depict the major assemblies of the printer or option, broken down into components. Following each figure are the list giving the following information:

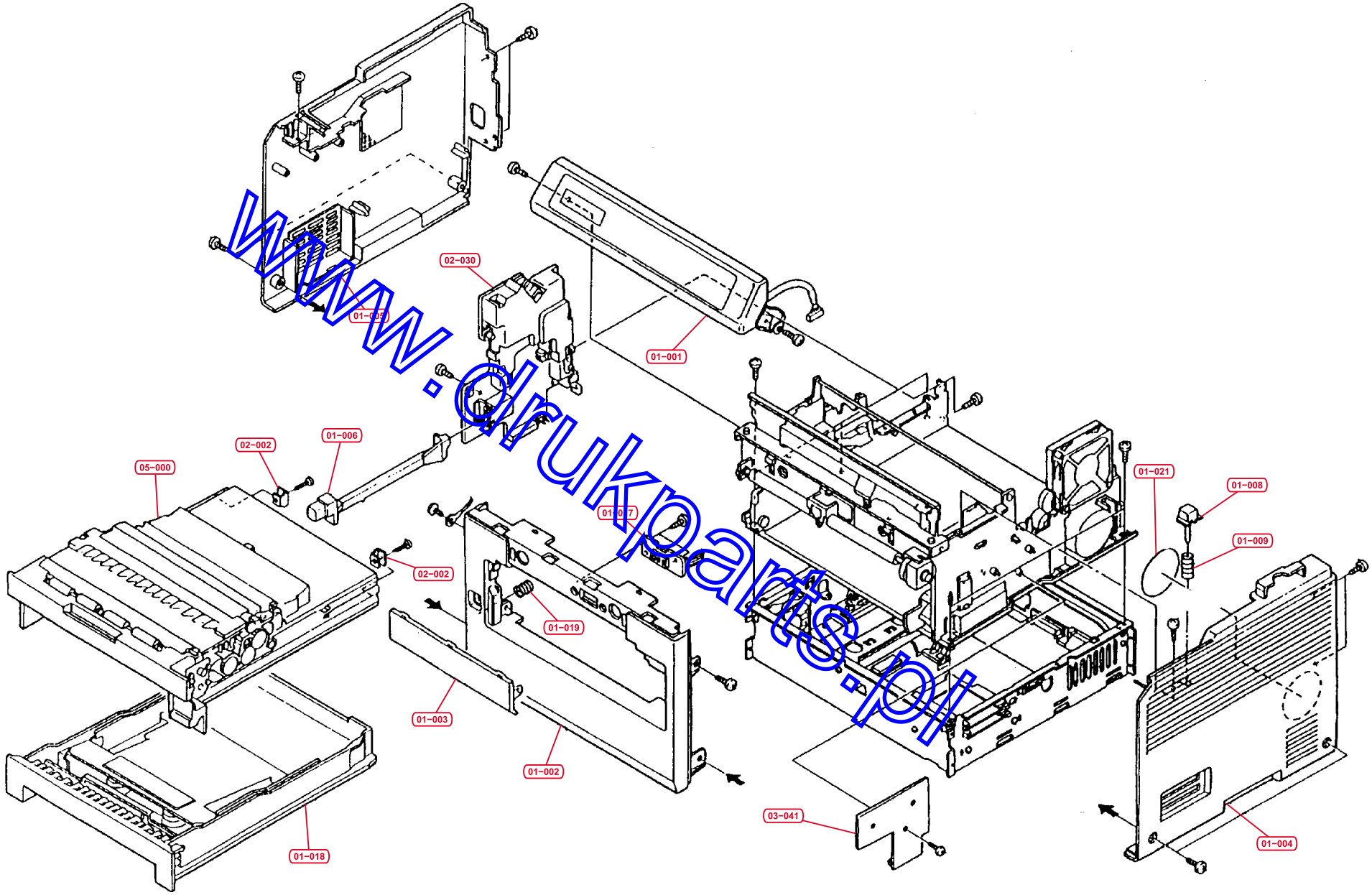
'Ref No.' Reference number which corresponds to the parts in the figure
'Part code' Part code which identifies the part
'Part description' A brief description of the part
'Quantity' Quantity of the part used in the printer or option

Only the parts highlighted in BOLD should be ordered. All other parts are for reference only and are not stocked.

Consumables and Maintenance Kits

TK-9	Toner Kit
G-1	Grid Cleaner
MK-2	Maintenance Kit (300K pages)
	Drum
	Developer
	Fuser
	Pick-up Roller Assy
	Transfer Roller Assy

Fig.1 - Covers



Ref No.	Part Code	Description	Quantity
01-001	5AAFZ1500E*1	Key Board Assy	1
01-002	5MVB875SH030	Cover Front	1
01-003	5MVX852SH003	Lid Cover Front	1
01-004	5MVB886SH027	Cover Right	1
01-005	5MVB886SH028	Cover Left	1
01-006	5MVX842SH002	Rod SW Power	1
01-008	5MVM276SB002	Cap Press Cover	1
01-009	5MMW361LD005	Spring Press Cvr	1
01-010	5MMWS3500E*1	Ser No Plate	1
01-011	5MVX876SH014	Tray Face Down	1
01-012	5MVX885SH003	Tray Face Up	1
01-013	5MVL664SH001	Stopper Paper FU	1
01-014	5MMS668SH001	Stopper Paper FD	1
01-015	5AAVTRAY*003	Manual Tray Assy	1
01-016	5AAVCLEAN027	Cleaner Assy	1
01-017	5AAPRZZG2010AH	PWB KP-247 (ENV)	1
01-018	PC-7	Cassette A4 Assy	1
01-019	5MMW361LD006	Spring Power	1
01-020	5MMU211SD007	Case Stopper	2
01-021	5MVS906XF001	Sheet R	1

www.drukparts.pl

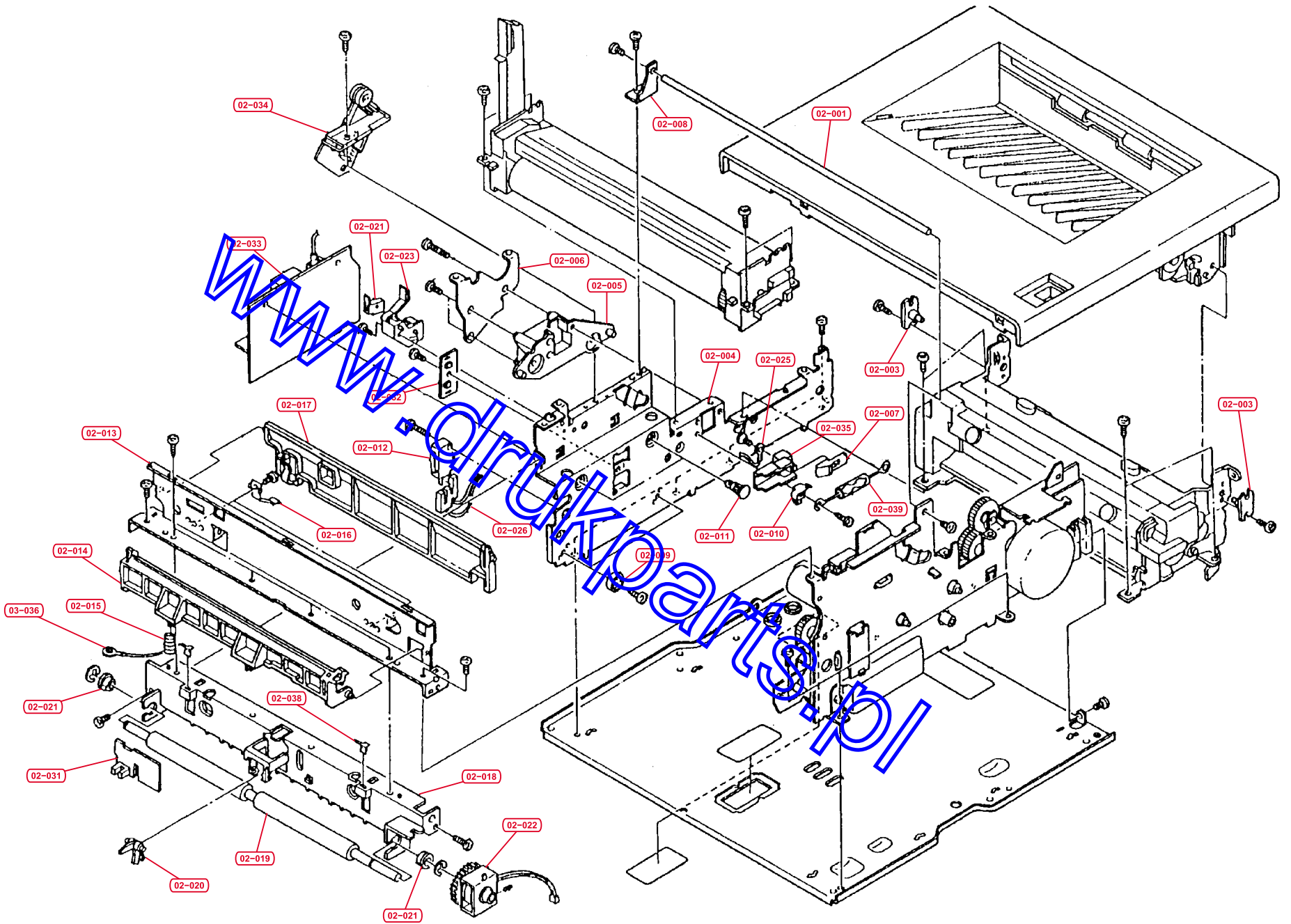


Fig.2 - Frame Unit

Ref No.	Part Code	Description	Quantity
02-001	5MMT855SZ004	Shaft Frame	1
02-002	5MMU211SD007	Case Stopper	2
02-003	5MMF265SN001	Pin Hinge	1
02-004	5MMX875SL003	Frame Left	1
02-005	5MVX743CB001	Spacer Frame	1
02-006	5MMX661SL005	Plate Drum	1
02-007	5MMU411LD001	Plate Receptacle	1
02-008	5MML332SL004	Bracket Shaft	1
02-009	5MVM1222DB002	Pulley Case	2
02-010	5MMU311LD002	Plate Earth Sprg	1
02-011	5MVX211NN019	Lock Card Spacer	2
02-012	5ESM010234***01	Micro Switch	1
02-013	5MMX864SL008	Channel Front UP	1
02-014	5MVX843SB003	Latch Cover	1
02-015	5MMW261LD007	Spring Latch	1
02-016	5MMX626LD001	Press DLP	2
02-017	5MVX853SB001	Guide DLP	1
02-018	5MVX866SH004	Channel Front Low	1
02-019	5MMT876SN039	Roller Manual UP	1
02-020	5MVX322SB012	Actuator Manual	1
02-021	5MVM176DN009	Bearing	2
02-022	5EYYAFAAQ01**02	Clutch Feed	1
02-023	5MVX532DN001	Bkt Sensor Bottle	1
02-024	5ESM010235***01	Micro Switch	1
02-025	5AACCNHY3GEA	Conn Cord S00558	1
02-026	5AACCNHX2GEA	Conn Cord S00547	1
02-030	5AAPRPWC1001AH	AC PWB Assy	1
02-031	5AAPRSSC1006CH	Manual Feed Sensor	1
02-032	5AAPRSSC1007CH	Paper Feed Sensor	1
02-033	5AAXTR024VDA	Trans Assy	1
02-034	5AAPRSSC1009AH	Waste Bottle Sensor	1
02-035	5MVX633CB001	Holder Receptacle	1
02-036	5AACCNLU1GEA	Conn Cord S00570	1
02-038	5MML121LD003	Plate Earth EF	1
02-039	5AAXRD012GEA	High MEG R Assy	1

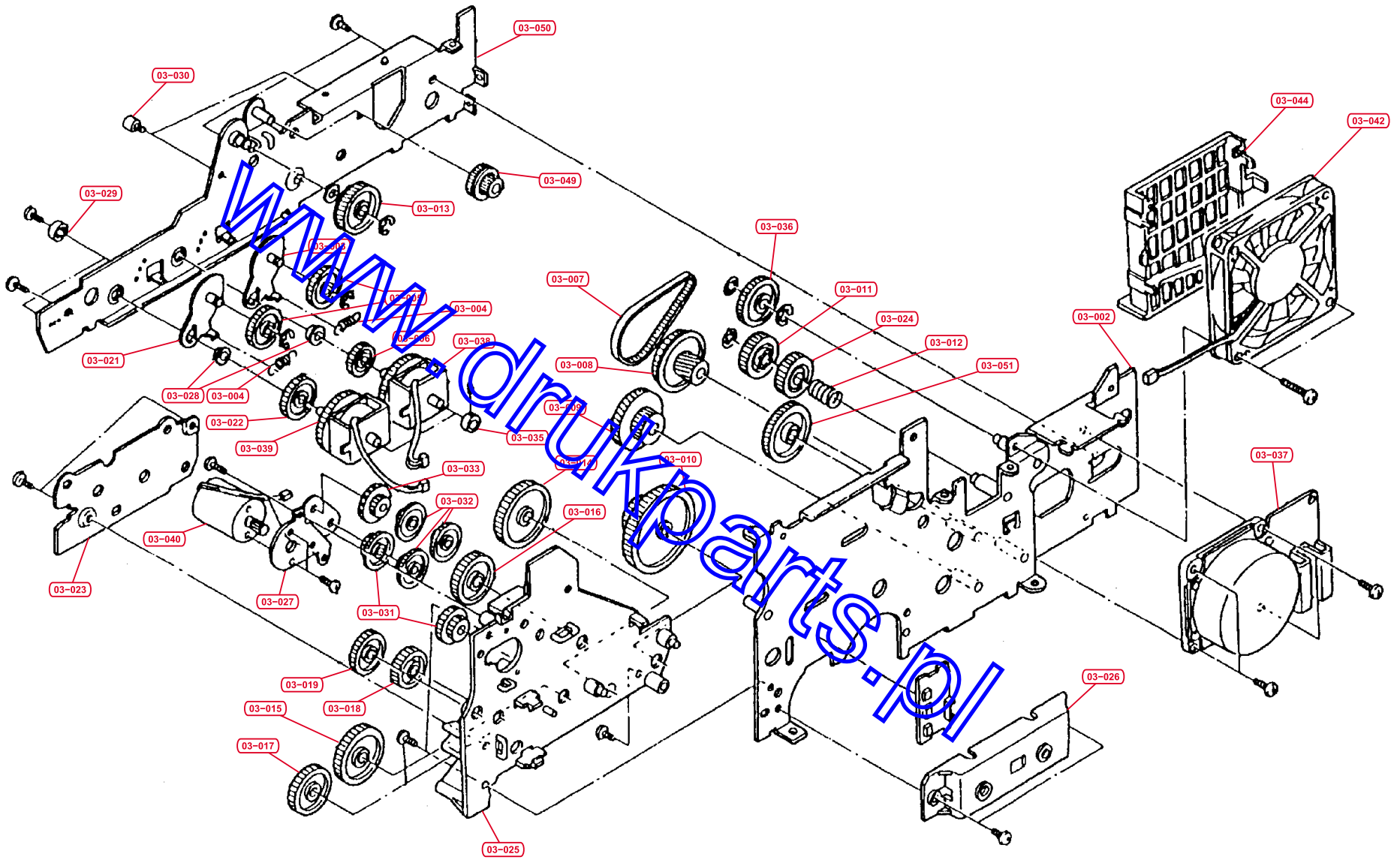


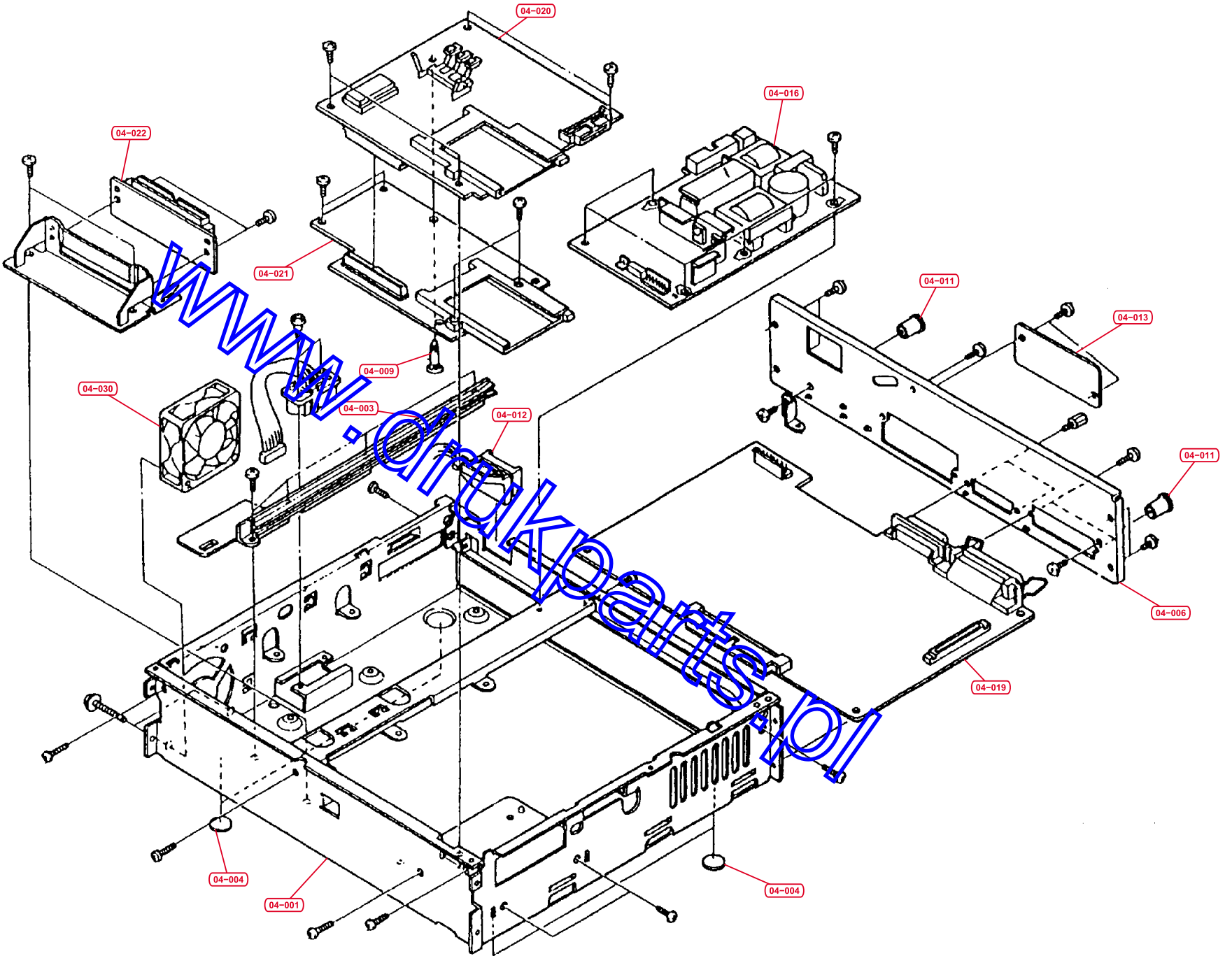
Fig.3 - Drive Frame Unit

Ref No.	Part Code	Description	Quantity
03-000	5AAY3500E*36	Drive Assy	1
03-002	5MMX873SL003	Plate Drive B	1
03-003	5MMXS32SL007	Plate Rejoint	1
03-004	5MMW261LD006	Spring Joint	2
03-005	5MVG138DB021	Gear Joint Z28	2
03-006	5MVG137DB024	Gear Clutch Z22	1
03-007	5MVM190RB015	Belt Drive	1
03-008	5AAVGEAR*016	Gear Z57P-Z20H Assy	1
03-009	5AAVGEAR*017	Gear Z45H-Z24H Assy	1
03-010	5AAVGEAR*018	Gear Z59H-Z24H Assy	1
03-011	5MVG138DB022	Gear Free Z27	1
03-012	5MMW361LD004	Spring Free	1
03-013	5MVG148DB019	Gear Drum Z34H	1
03-014	5MVG158DN008	Gear Z45H-Z45H	1
03-015	5MVG148DN011	Gear Z40H-Z21S	1
03-016	5MVG138DN017	Gear Z28H	1
03-017	5MVG148DN010	Gear Z23S	1
03-018	5MVG148DB022	Gear Z32S	1
03-019	5MVG137DB025	Gear M Feed Z25	1
03-021	5MXX532SL008	Plate FE Joint	1
03-022	5MVG138DB024	Gear Clutch Z29	1
03-023	5MMX763SL014	Plate Drive C	1
03-024	5MVG138DB040	Gear Free Z27H	1
03-025	5MVX763CB002	Spacer Gear	1
03-026	5MVX632DB002	Holder Clutch	1
03-027	5MMX543SL002	Plate Drive D	1
03-028	5MVM176DB008	Bushing Stop	2
03-029	5MVM122DB002	Pulley Case	2
03-030	5MMT263SZ016	Pin Stud	2
03-031	5MVG158NN001	Gear CD Z31-Z42	2
03-032	5MVG158DB005	Gear CD Z14-Z42	3
03-033	5MVG158DB019	Gear CD Z20-Z25	1
03-035	5MMT565SN001	Shaft Clutch	2
03-036	5MVG148XN003	Gear Fuser Z34	1
03-037	5AAXMT016CEA	Motor Main	1
03-038	5EYYAFAAK02**02	Clutch Regist	1
03-039	5EYYAFAAQ01**03	Clutch Feed	1
03-040	5AAY1500E*18	Toner Motor Assy	1
03-041	5AAPRIFC2002AH	Interconnect PWB KP-332	1
03-042	5EZNF2403103*01	Fan Motor	1
03-044	5AAY1500E*47	Cover Fan Assy	1
03-045	5MVG138DB029	Gear Idle Z26	1
03-047	5MVS666XF001	Sheet M	1
03-048	5MMS527SL002	Plate Support	1

Ref No.	Part Code	Description	Quantity
03-049	5MVG147DB009	Gear TC Z24-Z32	1
03-050	5MMX863SL005	Plate Drive A	1
03-051	5MVG058DB003	Gear Idle H45-Z45	1

www.drukparts.pl

Fig.4 - Controller Unit



Ref No.	Part Code	Description	Quantity
04-001	5MMB886SL015	Box Controller	1
04-003	5MVX732SL001	Rail PWB Main	1
04-004	5MVM160RB025	Foot	4
04-006	5MMS846SL014	Panel Rear	1
04-007	5MVS772KF002	Sheet Power	1
04-009	5MVX311NN033	PWB Spacer	2
04-011	5MVM266SB003	Pull Knob	2
04-012	5AAPRZZ005AH	PWB KP-318 OPT.	1
04-013	5MMS646SD007	Plate Connect 8N	1
04-015	5AACCNHW6GEA	Conn Cord S00541	1
04-016	5AAEZ3500E*1	Switching Regulator	1
04-017	5MML633SD001	Lid RAM PWB	1
04-019	5AAPRLGG4019AH	PWB KP-320 Main	1
04-020	5AAPRCZG2013AH	PWB KP-314 Engine	1
04-021	5AAPRIFG4010AH	PWB KP-313 Card I/F	1
04-022	5AAPR2ZG4003AH	PWB KP-315 Mother	1
04-030	5EZNF2403002*02	Fan Motor	1

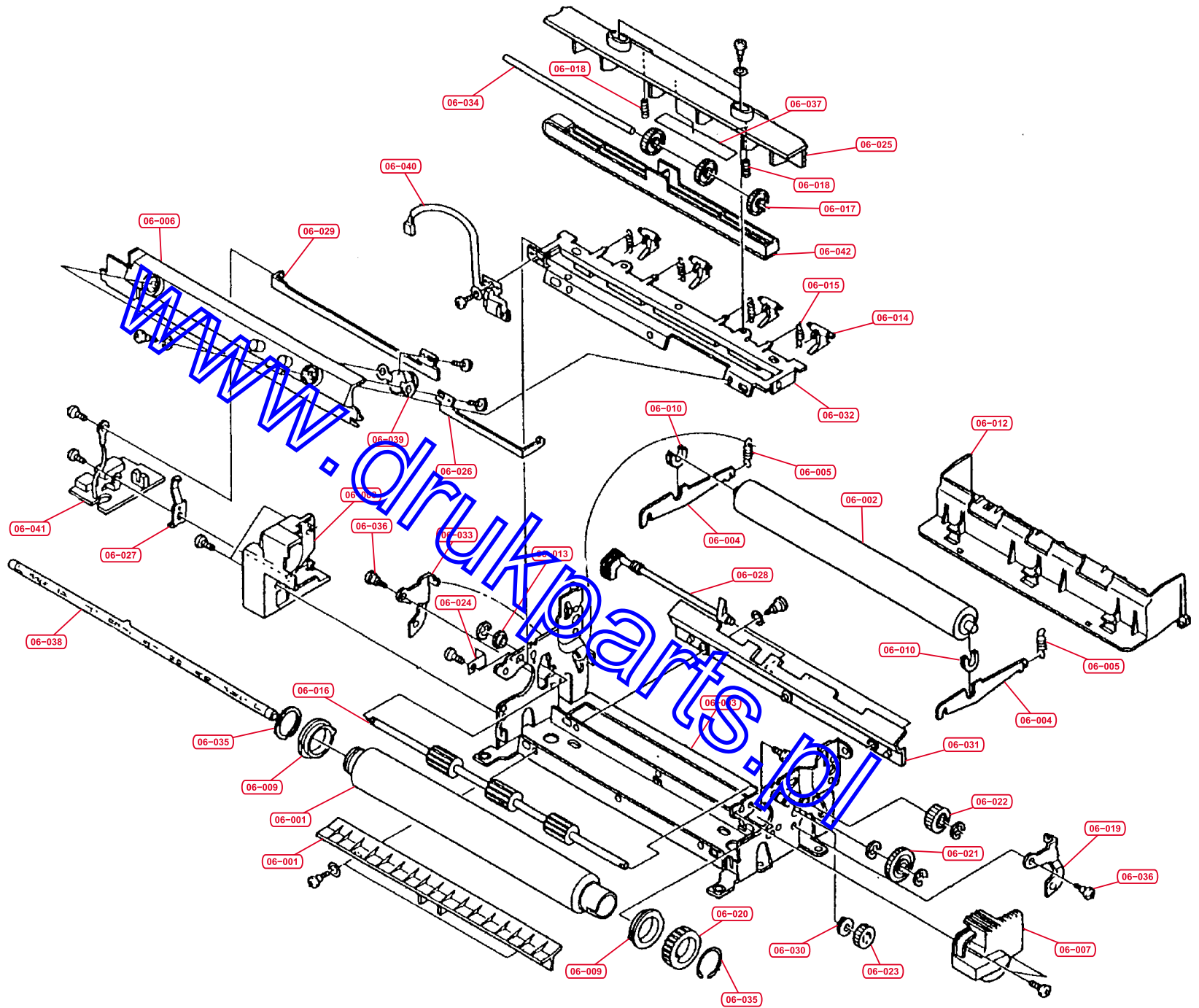
www.drukparts.pl

Ref No.	Part Code	Description	Quantity
05-000	5AAY1500E*48	Feed Unit Assy	1
05-001	5MMT876SN033	Roller Regist A	1
05-002	5MVG137DB029	Gear Reg Z24-Z32	2
05-003	5MMT821SN002	Roller Regist UP	1
05-004	5MVG137DB028	Gear Regist Z24	1
05-009	5MMS836LD001	Paper Chute UP	1
05-012	5MMU443LD001	Plate Earth CTCT	1
05-013	5MVX852SH002	Guide Paper A	1
05-014	5MVX722SH002	Sensor Doc	1
05-015	5MVG138DB029	Gear Idle Z26	2
05-016	5MVM121DB001	Collar Joint	2
05-017	5MVG138DB028	Gear Feed	1
05-018	5MVX655SX001	Lever Lock	1
05-019	5MVX711DB001	Link Lock	1
05-020	5MVX886SH001	Lower Case	1
05-021	5MMS546SD001	Pate Lock	1
05-022	5MMW177LD001	Spring Lock	1
05-023	5MVX421DB007	Hinge Lock L	1
05-024	5MVX431DB003	Hinge Lock R	1
05-025	5MMW166LD004	Spring Hinge L	1
05-026	5MMW166LD005	Spring Hinge R	1
05-027	5MVS722KF002	Sheet Regist L	1
05-028	5MVS622KF003	Sheet Regist R	1
05-029	5MVS822KF003	Sheet Regist A	1
05-030	5MVX843SH006	Cover Front B	1
05-031	5MVM687DB001	Roller Guide	4
05-032	5MMT860SZ001	Shaft Release	1
05-033	5MVM122DB003	Bush Pom	2
05-034	5MVM410DB001	Holder Roller FD	1
05-035	5MMT660SN001	Sham Feed	1
05-036	5MMT733SN002	Shaft Manual Feed	1
05-037	5MVM460DB001	Roller Idle	4
05-038	5MMW255LD005	Spring Manual	2
05-039	5MVX641CB001	Actuator Cassette A	1
05-040	5MVX321SB012	Actuator Cassette B	1
05-041	5AAVR0LL*027	Feed Roll Assy	1
05-041A	5MVM480RN002	Feed Tyre	2
05-041B	5MVM733SB002	Pulley Feed Roll	1
05-042	5MMM175CJ003	Metal Bush KD	2
05-043	5MVX322DB012	Bush Transfer L	1
05-044	5MVX321DB009	Bush Transfer R	1
05-045	5MMW354LD001	Spring Bush A	2
05-046	5MMT866SN014	Shaft Guide	1
05-048	5MVM176DB007	Collar Joint TR	1

Ref No.	Part Code	Description	Quantity
05-049	5MMU222SD002	Bracket Joint Gear	1
05-050	5MMW166LD006	Spring Bracket	1
05-052	5MMT230SZ001	Pin Bracket Joint	1
05-053	5AAY1500E*58	Roller Transfer	1
05-054	5MVS825XF003	Discharger	1
05-055	5MVS527RF009	Sheet Chute A	1
05-056	5MVS832KN002	Sheet Chute B	1
05-057	5MVS521KN002	Sheet Chute L	1
05-058	5MVS521KN003	Sheet Chute R	1
05-060	5MVX811CB002	Guide Chute	1
05-061	5MVM276DB007	Coupling Joint	1
05-062	5MVG137DB033	Gear Joint Z30	1
05-063	5MVM176DB009	Bush Transfer	1
05-065	5MVS321KF008	Sheet Regist B	1
05-066	5MMM276CJ001	Metal Bush Regist	1
05-067	5MVM210DB001	Bush Regist	1
05-068	5MVX832CB005	Paper Chute	1
05-069	5MMW172LD008	Spring Regist L	1
05-070	5MMW172LD007	Spring Regist R	1
05-071	5MVX832CB004	Bracket Roller	1
05-073	5MMW166LD007	Spring Chute	1
05-00X	5AAYL1500*40	TRANS BRACKET ASSY	1

www.druckparts.pl

Fig.6 - Fuser Unit



Ref No.	Part Code	Description	Quantity
06-000	FK-52	Fuser Kit (5PLPZESAPKE)	1
06-001	5MMT888AX003	Roller Heat	1
06-002	5MMT886SN009	Roller Press	1
06-003	5MMB866SL012	Frame Fuser	1
06-004	5MMS627SL002	Plate Press	2
06-005	5MMW251LD008	Spring Press	2
06-006	5MVX842NB003	Guide Therm	1
06-007	5MVB653XB001	Cover Fuser R	1
06-008	5MVB663XB002	Cover Fuser L	1
06-009	5MVM188XN006	Bushing Heat	2
06-010	5MVM166XN001	Bushing Press	2
06-011	5MVX833XB002	Guide Entrance	1
06-012	5MVX865SH001	Guide FU	1
06-013	5MVM176DB006	Bushing Pom	1
06-014	5MVX332XN003	Separator	4
06-015	5MMW241LD003	Spring Separator	4
06-016	5MMT874SN003	Roller Exit	1
06-017	5MVM174DB002	Pulley Exit	3
06-018	5MMW251LD016	Spring Pulley	2
06-019	5MMXS42SL004	Plate Release R	1
06-020	5MVG148NN002	Gear Heat Z35	1
06-021	5MVG138XN007	Gear Joint Z20	1
06-022	5MVG137DB026	Gear Idle Z21	1
06-023	5MVG127DB018	Gear Exit Z16	1
06-024	5MMX322RD001	Plate Earth	1
06-025	5MVX833XB001	Guide Exit Up	1
06-026	5MMX633RD001	Holder Lamp R	1
06-027	5MMX321 RD005	Holder Lamp L	1
06-028	5MVX732CB001	Actuator Jam	1
06-029	5MMX732RD002	Plate Cord	1
06-030	5MMM176CJ005	Bushing SBK	1
06-031	5MVX832XB001	Guide Exit	1
06-032	5MMC852SL001	Stay Fuser	1
06-033	5MMX542SL003	Plate Release L	1
06-034	5MMT733SN001	Shaft Exit	1
06-035	5MMW172SB001	Ring Stop	2
06-036	5MMT143SZ010	Stud Screw SL	2
06-037	5MVVL721WN29	Lable Fuse Caution	1
06-038	5EZPB2413320102	Lamp Heater	1
06-039	5EYFFQ18201**01	Thermostat	1
06-040	5AAXTM008GEA	Thermistor Assy	1
06-041	5AAY1500E*70	PWB Assy Fuser	1
06-042	5AAVCLEAN026	Fuser Cleaning Pad	1

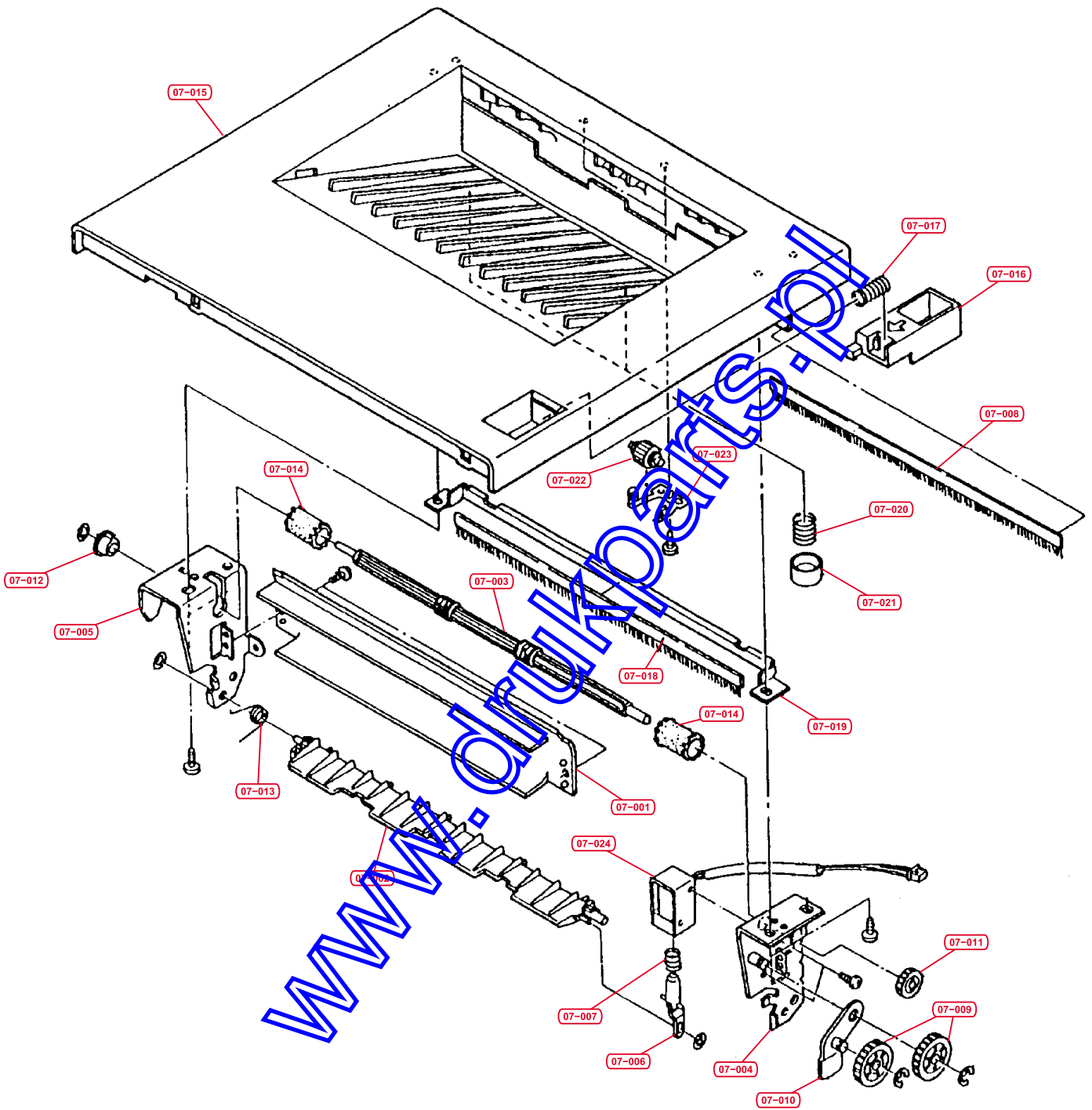


Fig.7 - Face-down Unit

Ref No.	Part Code	Description	Quantity
07-000	5AAY1500E*04	Face Down Unit	1
07-001	5MVX853SH001	Guide FD	1
07-002	5MVX831CB001	Guide Change	1
07-003	5MVT873CB001	Shaft FD	1
07-004	5MMX653SL008	Plate Hinge R	1
07-005	5MMX663SL007	Plate Hinge L	1
07-006	5MVX311DB006	Actuator SOL	1
07-007	5MMW261LJ032	Spring SOL	1
07-008	5MVS825XF001	Brush Discharger	1
07-009	5MVG138DB020	Gear FD Z30	2
07-010	5MMX632SL006	Plate FD Joint	1
07-011	5MVG127DB018	Gear Exit Z16	1
07-012	5MVM176DN009	Bush	2
07-013	5MMW161LJ035	Spring Earth FD	1
07-014	5MVM320RB001	Exit Tyre	2
07-015	5MVB886SH020	Cover Top	1
07-016	5MVN260SH001	Knob Release	1
07-017	5MMW266LD002	Spring Knob	1
07-018	5MVS825XF002	Brush Discharge FD	1
07-019	5MMX821SL001	Plate Brush FD	1
07-020	5MMW271LD003	Spring Press CL	2
07-021	5MVM176SH003	Cap Press CL	2
07-022	5MVM273DB002	Pulley FD	2
07-023	5MMX322LD007	Bracket Pulley FD	2
07-024	5EZSA2401020306	Solenoid	1
07-026	5MVS822RN001	Seal Cover Top	1
07-027	5MVM150RB008	Rubber Pin	1
07-028	5MVB118RB017	Cushion SOL	1
	5MVX876SH014	Face Down Output Tray	1

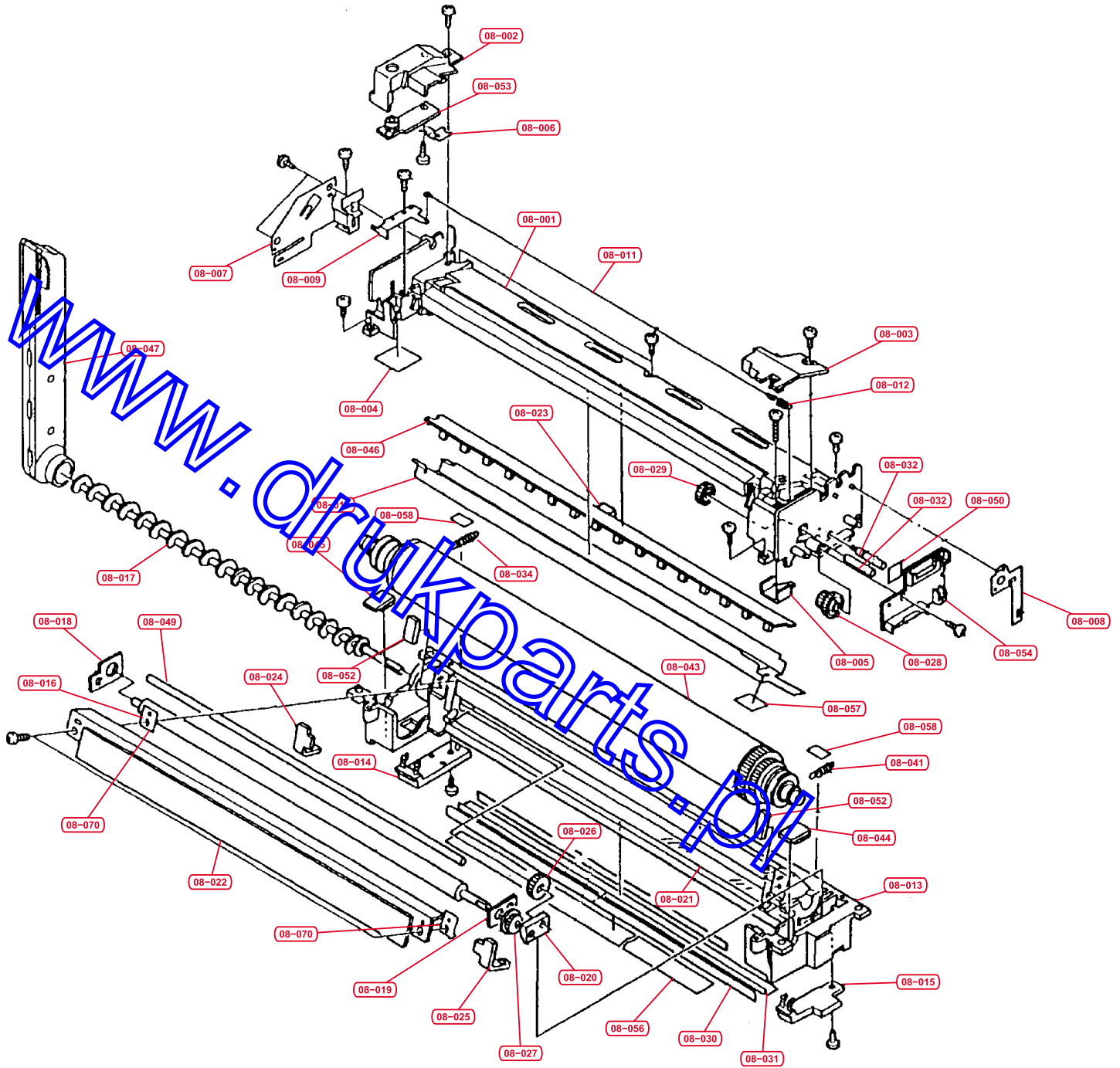


Fig.8 - Drum Unit

Ref No.	Part Code	Description	Quantity
08-000	DK-52	Drum Kit (5PLPZESAPKE)	1
08-001	5MVB864CB004	Frame Drum Up	1
08-002	5MVX643SB006	Cover M/C L	1
08-003	5MVX442SB001	Cover M/C R	1
08-004	5MVS222KB001	Sheet Ring Cover	1
08-005	5MMX222SL003	Plate Grid Adj	1
08-006	5MMZ211LD001	Earth Zenner	1
08-007	5MMX642LD001	Case Belt Holder	1
08-008	5MMX532LD002	Earth Lead D	1
08-009	5MMX321LD016	Hook M/C	1
08-010	5AAVCASE*100	MCH Shield Assy	1
08-011	5MMW801XU005	Corona Wire	1
08-012	5MMW241LJ018	Spring CHG	1
08-013	5MVX864CB001	Frame Drum Low	1
08-014	5AAVBRUSH032	Contact Brush L Assy	1
08-015	5AAVBRUSH027	Contact Brush R Assy	1
08-016	5MMT864SN003	Roll CLN	1
08-017	5MVT864CB001	Screw	1
08-018	5MVQ321DN001	Brush Left	1
08-019	5MVQ321DN003	Brush Right	1
08-020	5MVQ211DN001	Brush CLN	1
08-021	5MVS823KN001	Sheet Scraper	1
08-022	5AAY3500E*35	Blade Unit	1
08-023	5MVS218RN009	Seal Blade	3
08-024	5MVS428LN003	Seal Drum Left	1
08-025	5MVS428LN002	Seal Drum Right	1
08-026	5MVG137DB030	Gear Screw Z24	1
08-027	5MVG126DB017	Gear Roll Z18	1
08-028	5MVG137DB031	Gear Z1830	1
08-029	5MVG137DB032	Gear Z24	1
08-030	5MVS811RN002	Sheet Roll	1
08-031	5MML821LD004	Bracket Sheet	1
08-032	5MMT343SN001	Pin Idler A	2
08-034	5MMW241LD004	Spring Roll A	1
08-041	5MMW241LD008	Spring Roll C	1
08-043	5AAY1500E*33	Drum Assy Eur	1
08-044	5MVS318LN001	Seal Ring Right	1
08-045	5MVS328LN001	Seal Ring Left	1
08-046	5EXLD022GEB	LED Assy	1
08-047	5AAY1500E*20	Case Belt Assy	1
08-048	5MVS812XN001	Tape Adhesive	1
08-049	5MVT860SZ002	Roll Magic	1
08-050	5MVS215KB001	Film Stopper	1
08-052	5MVS218RN010	Seal Blade	2

Ref No.	Part Code	Description	Quantity
08-053	5AAPRCZC1 002CH	Zenner PWB Assy	1
08-054	5AAPR1FC1002CH	Drum PWB Assy	1
08-056	5MVS721KN008	Sheet Drum Low	1
08-057	5MVS211KN001	Sheet Grid	1
08-058	5MVS211KN002	Sheet Cover Spring	2
08-070	5MVS226KF001	Spacer Blade	2
08-078	5MVS812KN004	Sheet A	1

www.drukparts.pl

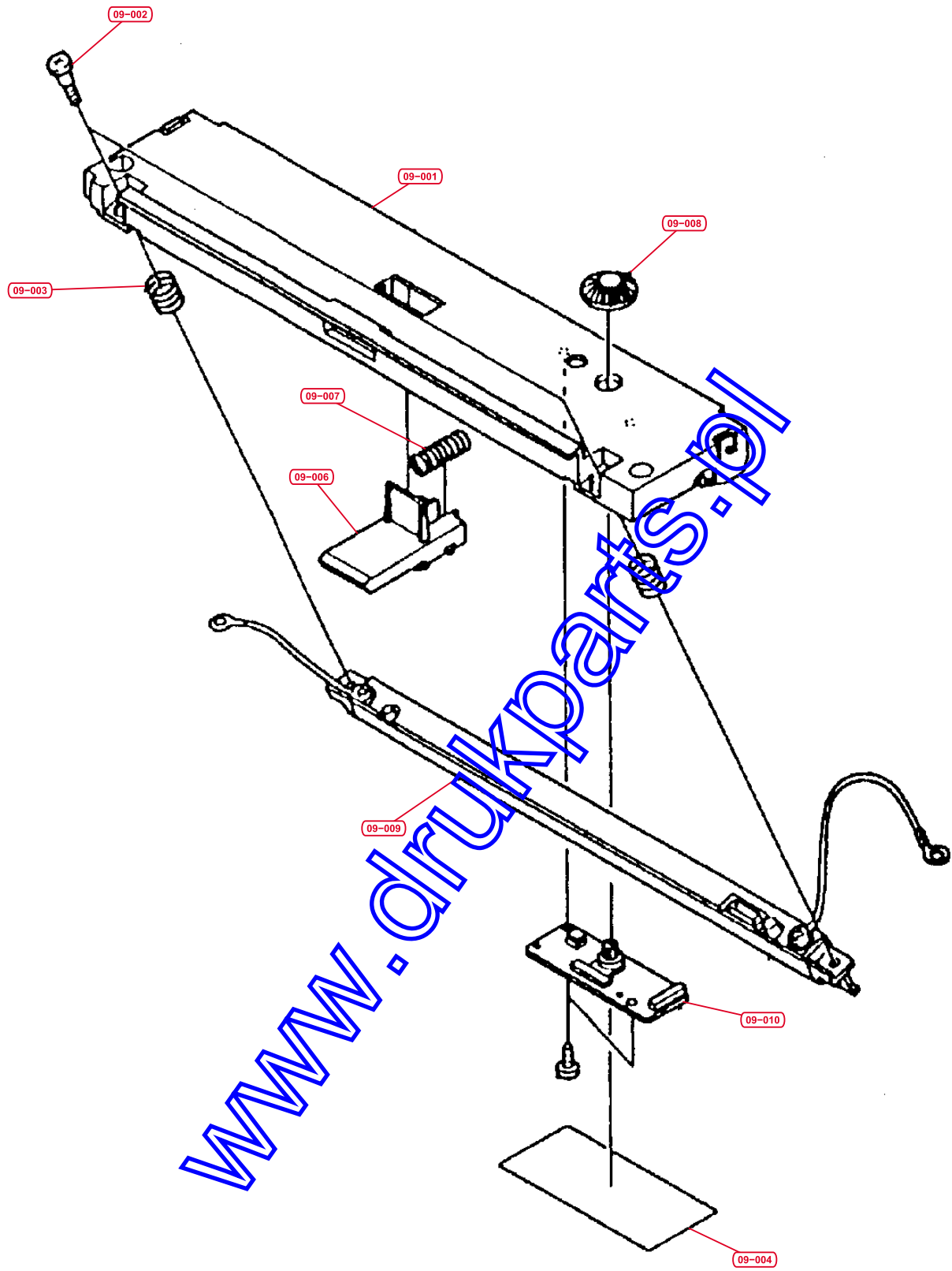
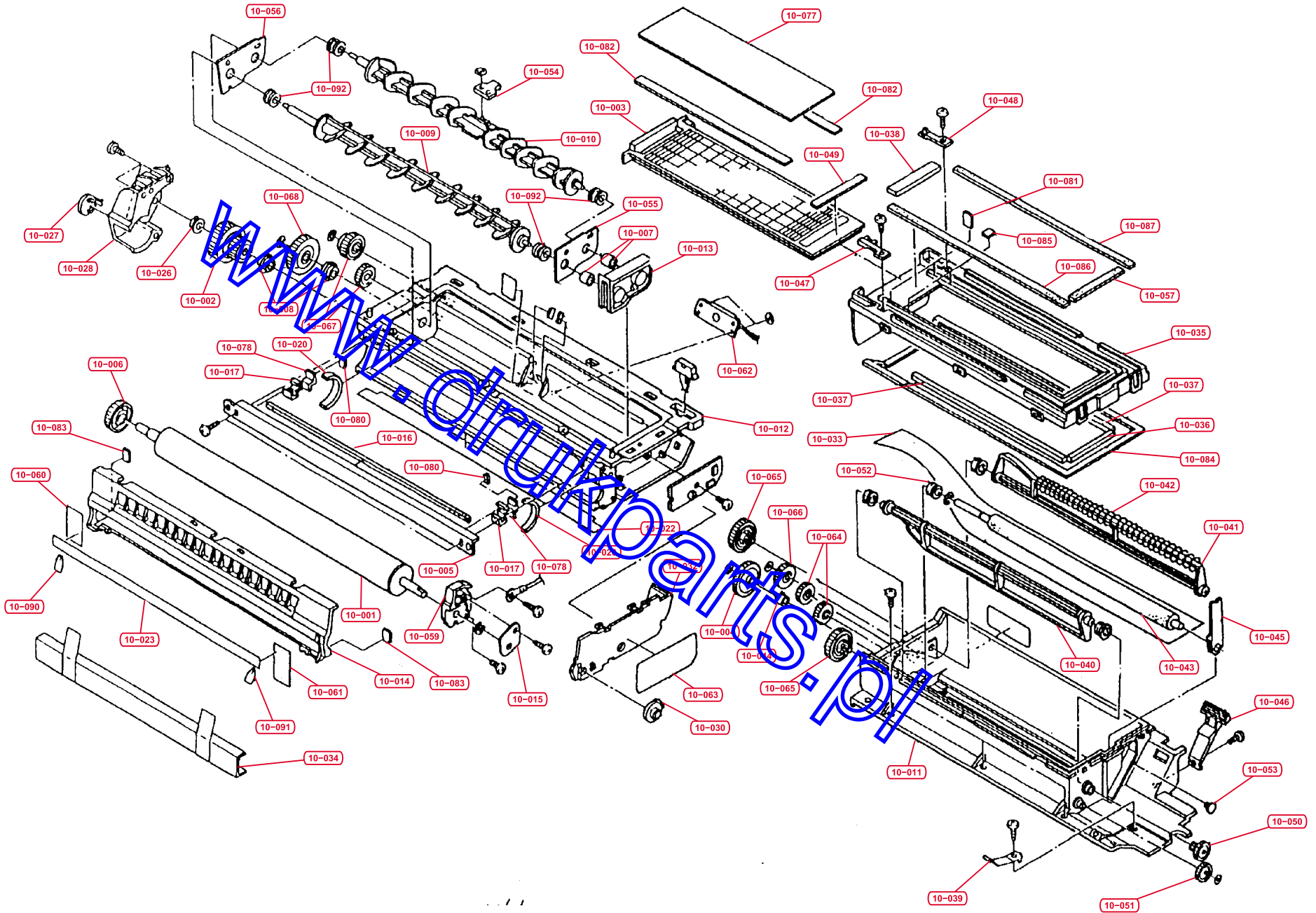


Fig.9 - LED Unit

Ref No.	Part Code	Description	Quantity
09-000	LK-52	LED Head (5PLPETAPKE)	1
09-001	5MVB863SB010	Frame LED	1
09-002	5MMT362SZ002	Stud Screw	2
09-003	5MMW271SZ001	Spring LED	2
09-004	5MVS641KB001	Sheet Frame	1
09-006	5MVX633SG001	Lever Frame LED	1
09-007	5MMW461SZ001	Spring LED Lever	1
09-008	5MVN221DG001	Knob LED Volume	1
09-009	5AAXLH00SGEA	LED Head Assy	1
09-010	5AAPRLDG2002BH	PWB Assy KP-239	1

www.drukparts.pl

Fig.10 - Developer Unit



Ref No.	Part Code	Description	Quantity
10-000	DV-52	Developer Kit (5PLPZEUAPKE)	1
10-001	5AAVROLER023	Roller Magnet	1
10-002	5MVG147DB019	Gear Mixer Z22-Z36	1
10-003	5MVX861SB002	Shutter Hopper	1
10-004	5MVG138DB030	Gear TF Z26	1
10-005	5MML821DB001	Blade Deve	1
10-006	5MVG137DB052	Gear Rol Mag Z23H	1
10-007	5MVM160XT001	Bushing Mixer L	2
10-008	5MVF176XT001	Bushing Mixer R	2
10-009	5MVX888SB002	Mixer Deve A	1
10-010	5MVX888SB001	Mixer Deve B	1
10-011	5MVX876XB001	Frame Hopper	1
10-012	5AAVFRAME086	Frame Deve Assy	1
10-013	5MVX542XB001	Support Brush	1
10-014	5MVX854XB001	Cover Mag	1
10-015	5MMS333LD003	Plate Bias	1
10-016	5MVS818RB005	Seal Blade	1
10-017	5MVS518RF003	Seal Gap Blade	2
10-018	5MMQ211FJ002	Magnet Sweep A	1
10-019	5MMQ211FJ003	Magnet Sweep B	1
10-020	5MVS228RB012	Seal Side Cover	2
10-022	5MVS821KN009	Seal Bottom Mag	1
10-023	5MVS821KN014	Seal Cover Sleeve	1
10-026	5MMF661CX001	Busing Mixer A	1
10-027	5MVX222CB002	Cap Shaft Mag R	1
10-028	5MVX543CB001	Cover Gear Mag	1
10-030	5MVX222CB003	Cap Shaft Mag L	1
10-031	5MVS421KN001	Sensor Face Tape	1
10-032	5MVX752XB001	Cover Board	1
10-033	5MVS881KB001	Sheet Roller TF	1
10-034	5AAM1500E.02	Sheet Roller Mag Assy 1	1
10-035	5MVX866SB006	Upper Hopper	1
10-036	5MVS618RB014	Seal Shutter A	1
10-037	5MVS818RB006	Seal Shutter B	2
10-038	5MVS618RB015	Seal Shutter C	1
10-039	5MMX321LD017	Press Bottle Waste	1
10-040	5MVX832SB003	Scraper Toner A	1
10-041	5MVX832SB004	Scraper Toner B	1
10-042	5MMW671LD002	Scraper FD Toner	2
10-043	5MMT864SN004	Roller Feed Toner	1
10-044	5MVM160DB006	Bushing TF	1
10-045	5MVX511SB001	Support TF	1
10-046	5MVX522DG001	Hook Bottle Waste	1
10-047	5MVX211DB010	Stopper Cartridge	1

Ref No.	Part Code	Description	Quantity
10-048	5MVX211DB009	Stopper Shutter	1
10-049	5MVS617LB001	Seal Lid C	1
10-050	5MVG137DB035	Gear Waste Z28	1
10-051	5MVG127DB031	Gear Waste Z14-Z15	1
10-052	5MVX661RB002	Seal Scraper B	1
10-053	5MVF164EN001	Cap Hole Hopper	1
10-054	5MVS223KN002	Sheet Scraper	1
10-055	5MMS534LD002	Plate Seal L	1
10-056	5MMS534LD001	Plate Seal R	1
10-057	5MVS718RB003	Seal Lid A	1
10-058	5MVS618RB013	Seal Lid B	1
10-059	5MVX433DB002	Holder Mag	1
10-060	5MVS221KN007	Film Seal Side R	1
10-061	5MVS221KN008	Film Seal Side L	1
10-062	5AAXTS015GEA	Toner Sensor Assy	1
10-063	5MVVL64SWN01	Label DLP	1
10-064	5MVG127DB033	Gear Scraper Z15	2
10-065	5MVG138DB033	Gear Scraper Z27	2
10-066	5MVG127DB034	Gear Scraper Z18	1
10-067	5MVG137DB054	Gear Z14-Z23	2
10-068	5MVG137DB053	Gear Z39-Z23	1
10-077	5MVVL762WN15	Lable Hopper EH	1
10-078	5MVS218RF016	Seal Gap Up	2
10-080	5MVS118RF017	Seal DLP E	2
10-081	5MVS118TF001	Seal T	2
10-082	5MVS716LB001	Seal C	2
10-083	5MVS117RB015	Seal Toner Pool	2
10-084	5MVB868XB002	Seal Upper Hopper	1
10-085	5MVS117YN001	Seal BLD	2
10-086	5MVS818MF001	Seal Lid BR	1
10-087	5MVS818MF002	Seal Lid BF	1
10-090	5MVS221KC004	Film Shut Mag R	1
10-091	5MVS221KC005	Film Shut Mag L	1
10-092	5MVX771RB002	Seal Scraper G	4
10-093	5AAPRCZC1001AH	PWB KP-241	1

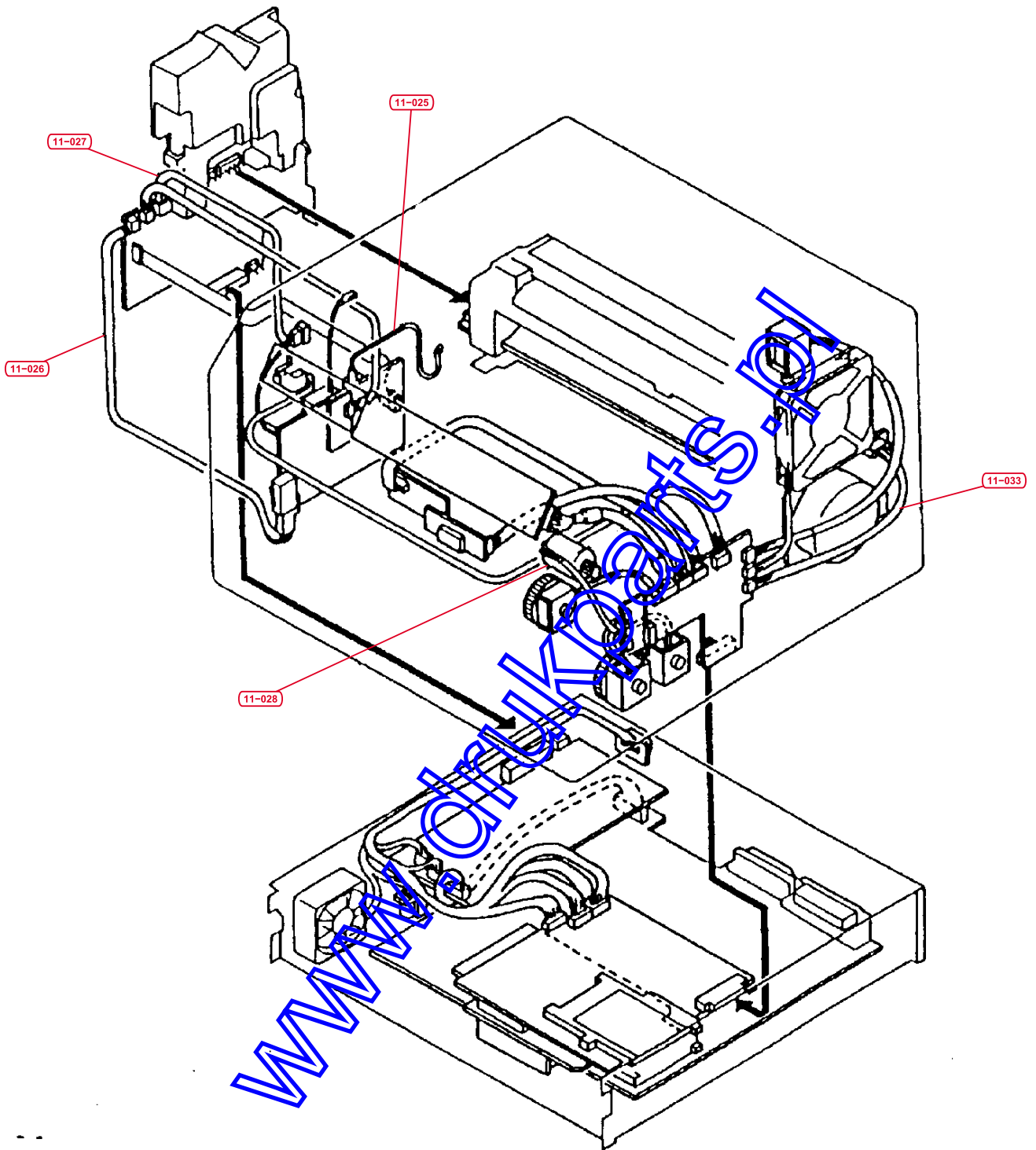


Fig.11 - Harness

Ref No.	Part Code	Description	Quantity
11-025	5AACCNHY3GEA	Conn Cord S00558	1
11-026	5AACCNHX2GEA	Conn Cord S00547	1
11-027	5AACCNHX3GEA	Conn Cord S00548	1
11-028	5AACCNMA3GEA	Conn Cord S00704	1
11-029	5AACCNHY2GEA	Conn Cord S00557	1
11-033	5AACCNJE8GEA	Conn Cord S00568	1

www.drukparts.pl