



PAGE PRINTER

FS-1700/1700+/3700/3700+



PARTS CATALOGUE

17-11-1999

FS-1700/1700+/3700/3700+ Parts Catalogue

Table of Contents

Covers (Fig.1).....	3
Frame Unit (Fig.2).....	5
Drive Unit (Fig.3).....	8
Controller Unit (Fig.4).....	10
Feed Unit (Fig.5).....	12
Fuser Unit (Fig.6).....	15
Cassette (Fig.7).....	18
Drum Unit (Fig.8).....	20
Scanner Unit (Fig.9).....	23
Developer Unit (Fig.10).....	25
Multi Feed Unit (Fig.11).....	28

Introduction

The figures which follow depict the major assemblies of the printer or option, broken down into components. Following each figure are the list giving the following information:

'Ref No.' Reference number which corresponds to the parts in the figure
'Part code'..... Part code which identifies the part
'Part description' A brief description of the part
'Quantity'..... Quantity of the part used in the printer or option

Only the parts highlighted in **BOLD** should be ordered. All other parts are for reference only and are not stocked.

Consumables and Maintenance Kits

TK-20H	Toner Kit
G-3	Grid Cleaner
MK-20	Maintenance Kit (300K pages)
	Drum
	Developer
	Fuser
	Drive Assy
	Feed Trans Assy

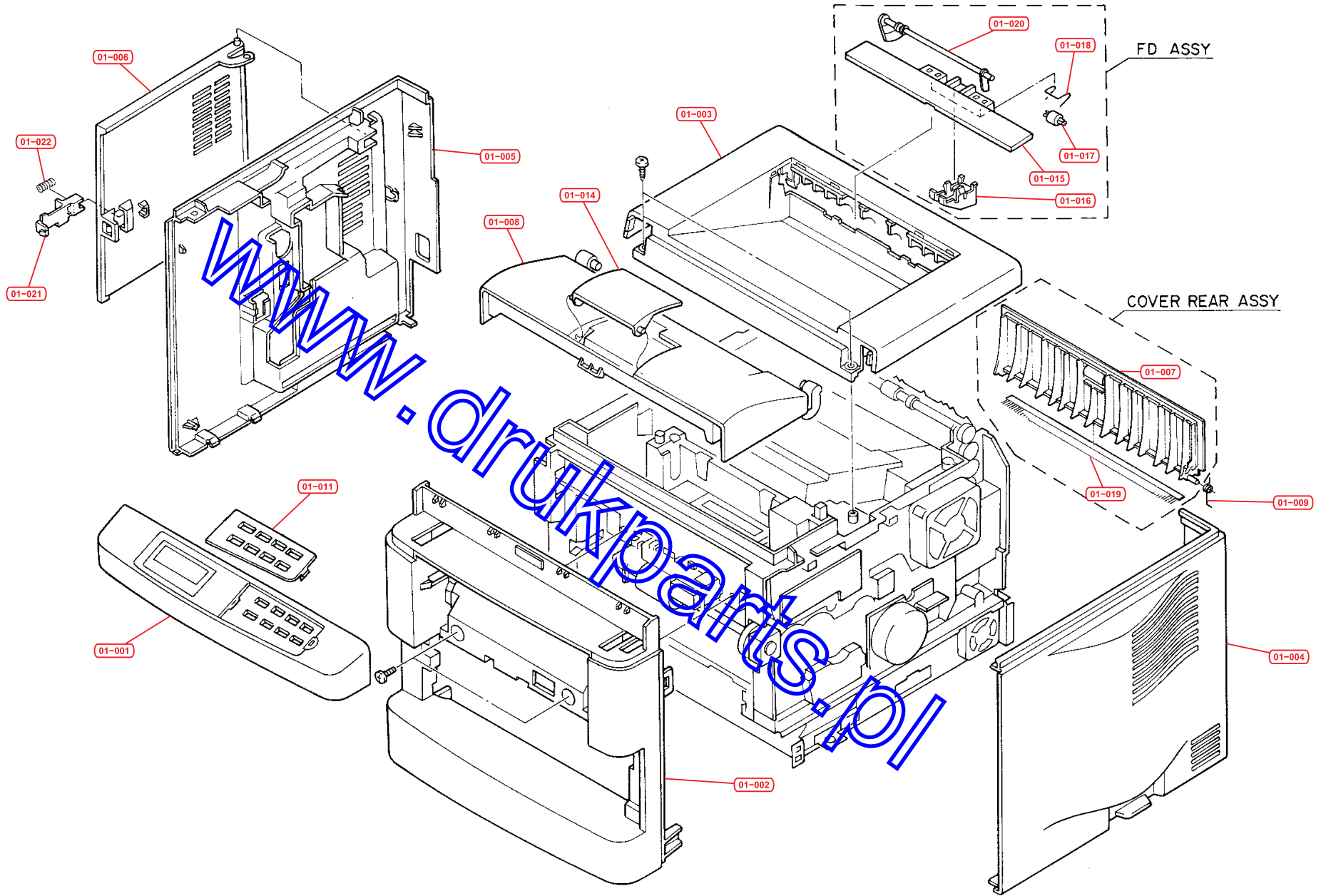
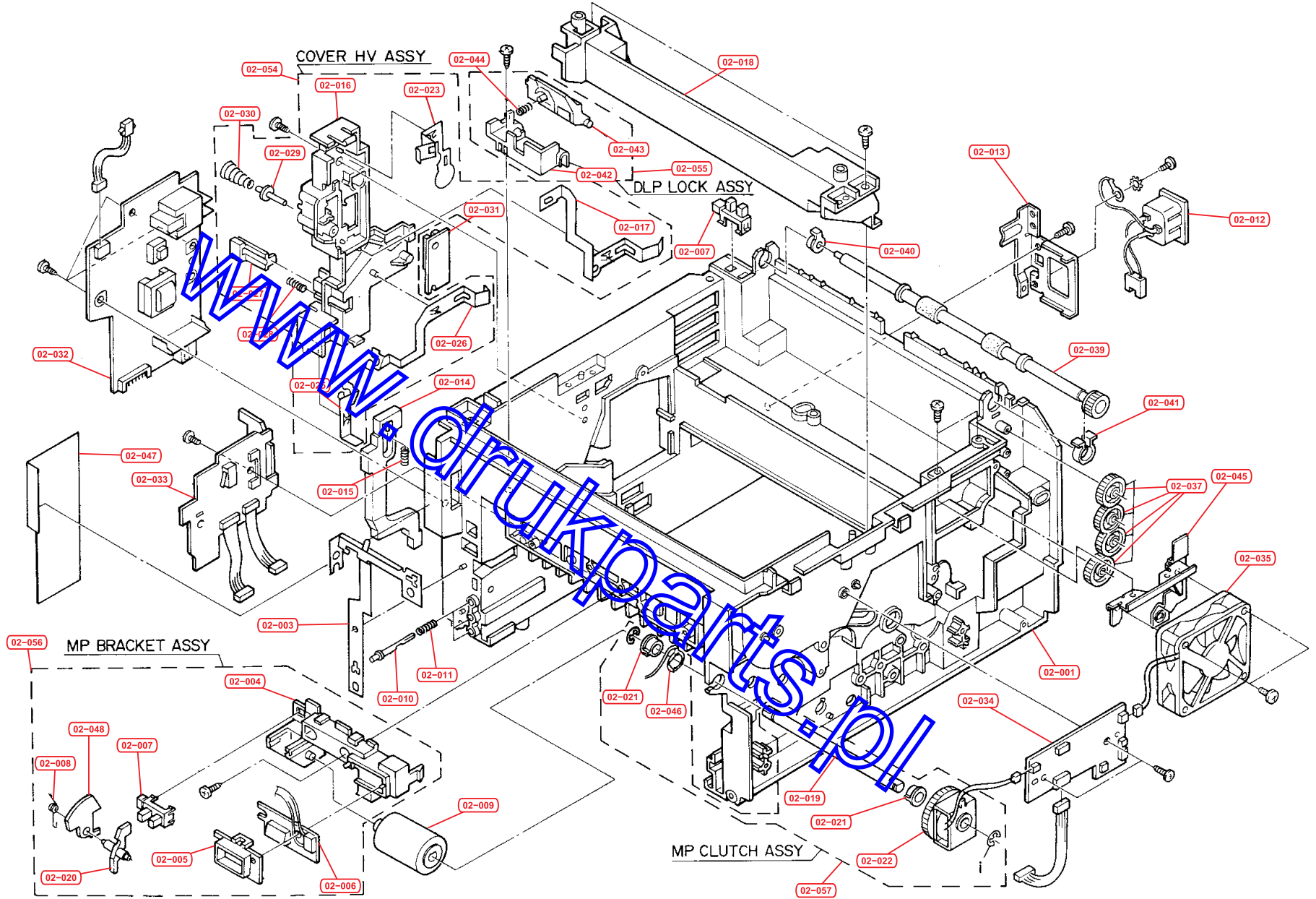


Fig.1 - Covers

Ref No.	Part Code	Description	Quantity
01-000	5AAY1700E*48	Cover Rear Assy	1
01-000	5AAY1700E*36	FD Assy (FS-1700)	1
01-000	5AAY3700E*19	FD Assy (FS-3700)	1
01-001	5AAY1700E*35	Key Board Assy (FS-1700)	1
01-001	5AAY1700E*08	Key Board Assy (FS-1700A)	1
01-001	5AAY3700E*18	Key Board Assy (FS-3700)	1
01-001	5AAY370+E*02	Key Board Assy (FS-3700+)	1
01-001	5AAY3700E*08	Key Board Assy (FS-3700A)	1
01-002	5MVB886CH002	Cover Front A	1
01-003	5MVB886CH001	Cover Top	1
01-004	5MVB886CH003	Cover Right	1
01-005	5MVB886CH004	Cover Left	1
01-006	5MVB883CH001	Cover Side	1
01-007	5AAY1700E*048	Cover Rear Assy	1
01-008	5MVB874CH001	Lid Top	1
01-009	5MMW611LD002	Spring Cover	1
01-010	5MVVS1700E*1	Ser. No. Plate (FS-1700)	1
01-010	5MVVS1700U*1	Ser. No. Plate (FS-1700A)	1
01-010	5MVVS3700E*1	Ser. No. Plate (FS-3700)	1
01-010	5MVVS3700U*1	Ser. No. Plate (FS-3700A)	1
01-011	5MVS651CH001	Panel English	1
01-011	5MVS651CH015	Panel German	1
01-011	5MVS651CH003	Panel French	1
01-011	5MVS651CH004	Panel Spanish	1
01-011	5MVS651CH005	Panel Italian	1
01-011	5MVS651CH006	Panel Danish	1
01-012	5MVX885SH003	Face UP Tray	1
01-014	5MVB662CH001	Stopper FD	1
01-015	5MVX852CH001	Frame FD	1
01-016	5MVX332DB010	Guide Stock	1
01-017	5MVM273DB003	Roller Pinch	1
01-018	5MMW251LD025	Spring Pulley	1
01-019	5MVS711A0001	Discharger FD	1
01-020	5MVX748CB002	Actuator FD (FS-3700/+)	1
01-021	5MVX432CH001	Lever Side	1
01-022	5MMW106LD008	Spring Lever	1

Fig.2 - Frame Unit



Ref No.	Part Code	Description	Quantity
02-000	5AAY1700E*32	MP Bracket Assy	1
02-000	5AAY1700E*33	Cover HV Assy	1
02-000	5AAY1700E*43	Dlp Lock Assy	1
02-001	5MVX888CB001	Frame Base (FS-1700/3700/+)	1
02-003	5MMX761SL002	Plate Earth EF	1
02-004	5MVX744SB002	Bracket Manual	1
02-005	5MVB433SH005	Bracket Connector	1
02-006	5AAPRIFC1009AH	P.W. Board Assy – KP-502	1
02-007	5ENXGP1A73A**01	PT Sensor GP1A73A (FS-3700/+)	1
02-008	5MMW161LD025	Spring Activator	1
02-009	5AAVROLL*029	Feed Roll Assy	1
02-010	5MVT443DW001	Pin Size Select	1
02-011	5MMW241LD012	Spring Size Select	1
02-012	5AACCNPR2GEA	Conn. Cord S02013	1
02-013	5MMX644SL003	Bracket Inlet	1
02-014	5MVX742SB005	ROD Interlock	1
02-015	5MMW451LD001	Spring Interlock	1
02-016	5MVX764SB005	Cover HV	1
02-017	5MMX665LD001	Plate TC Contact	1
02-018	5MVB865CB005	Frame MID	1
02-019	5MMT766SN004	Shaft M/P	1
02-020	5MVX433SB005	Actuator Manual	1
02-021	5MVM176DB012	Bush Pom B	1
02-022	5EYYAFAAM01**01	Clutch Feed	1
02-023	5MMX542LD001	Plate MC Contact	1
02-024	5MML232LD003	Plate Lock Dlp	1
02-025	5MMX322LD013	Plate HI MEG A	1
02-026	5MMX654LD002	Plate HI MED B	1
02-027	5MVX321SB016	Lever Bottle	1
02-028	5MMW241LD014	Spring Lever Bottle	1
02-029	5MMM311SZ001	PIN HV Contact	1
02-030	5MMW311LD003	Spring HV Contact	1
02-031	5AAPRIFC1011AH	Drum Relay PWB Assy – KP-505	1
02-032	5AAXTR036VDA	Trans Assy (FS-1700)	1
02-032	5AAXTR035VDA	Trans Assy (FS-3700/+)	1
02-033	5AAPRIFC1013AH	SencorPWB – KP-498	1
02-034	5AAPRIFC1010AH	Relay PWB – KP-504	1
02-035	5EZNF2402701*01	Fan Motor (FS-1700)	1
02-035	5EZNF2402502*01	Fan Motor (FS-3700/+)	1
02-036	5AACCNPT9GEA	Conn. Cord – S02040	1
02-037	5MVG137DN014	Gear Idle Z25	1
02-038	5MVX653SB005	Bracket FD Gear	1
02-039	5MVT873DB001	Roller FD	1
02-040	5MVM162DN004	Bush FD L	1
02-041	5MVM162DN005	Bush FD R	1

Ref No.	Part Code	Description	Quantity
02-042	5MVB532SB006	Bracket Lock	1
02-043	5MVX532DH002	Lock DLP	1
02-044	5MMW261LJ035	Spring Lock	1
02-045	5MMX763SL018	Bracket Fan	1
02-046	5AAY1700E*47	Plate Earth Assy	1
02-047	5MVS762KF007	Sheet HI Voltage	1
02-048	5MVX443SB002	Actuator M/P	1
02-049	5AACCNPQ1GEA	Conn. Cord S02002	1
02-054	5AAY1700E*33	Cover HV Assy	1
02-055	5AAY1700E*43	Dlp Lock Assy	1
02-056	5AAY1700E*32	MP Bracket Assy	1
02-057	5AAY1700E*31	MP Clutch Assy	1

www.drukparts.pl

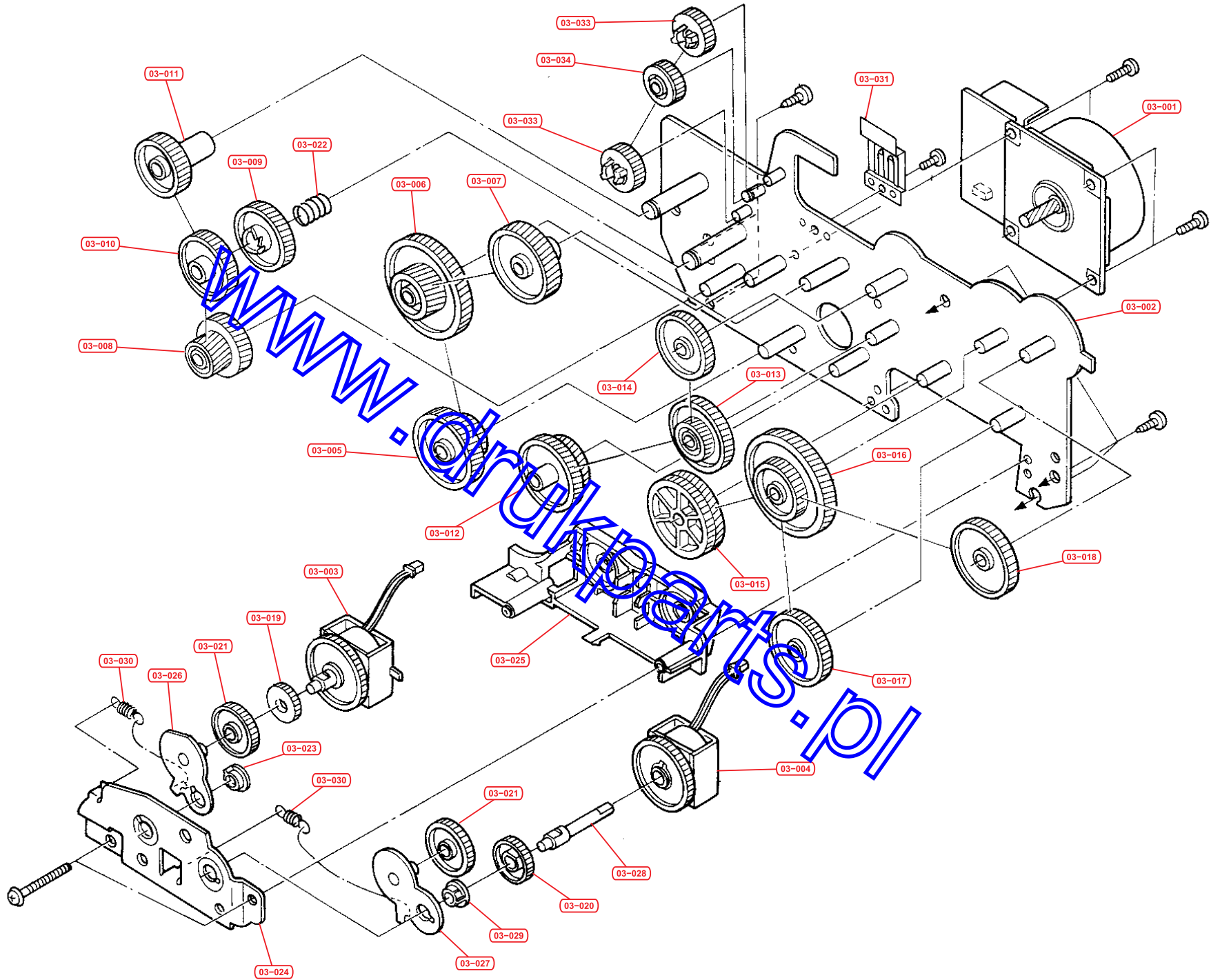
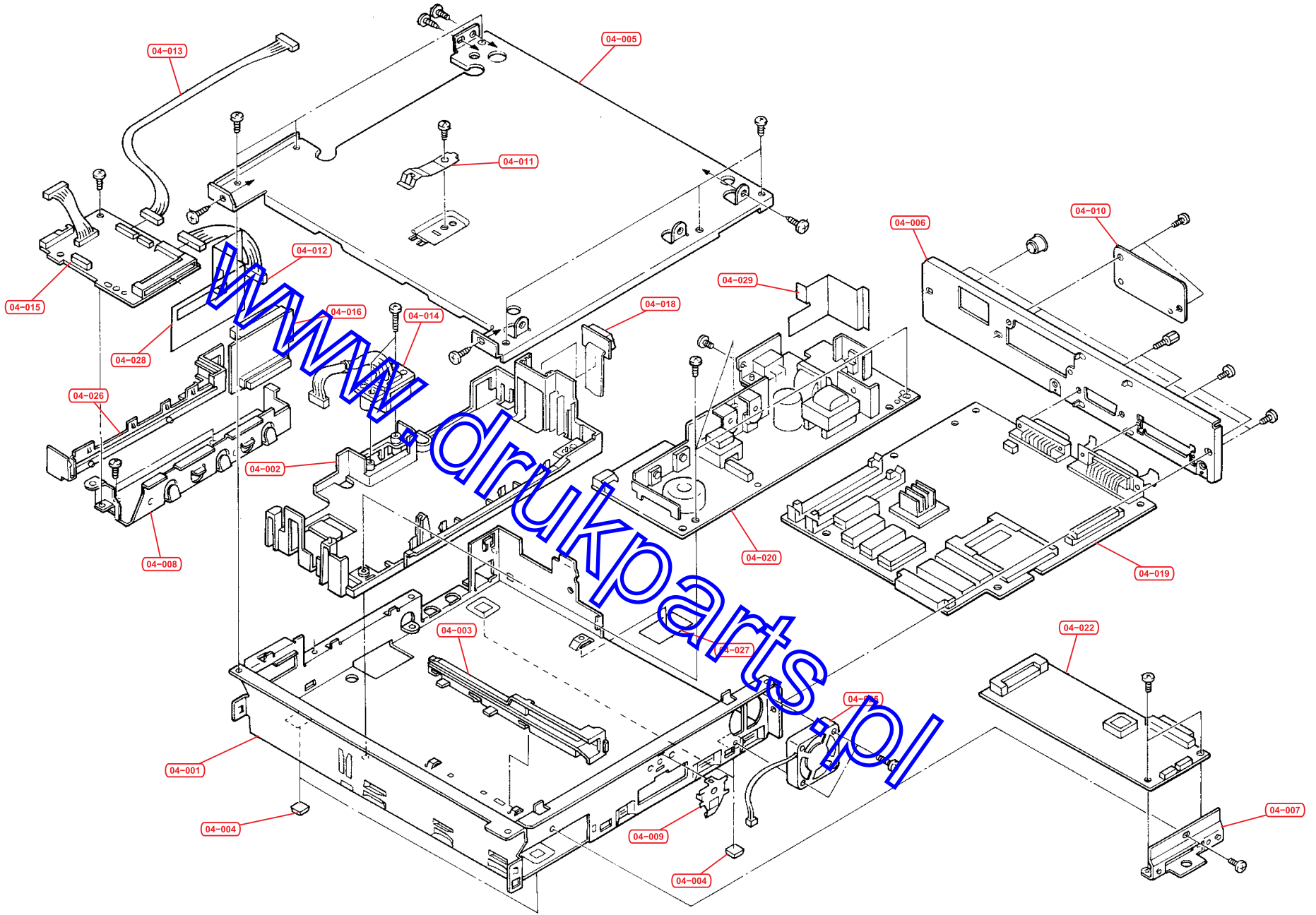


Fig.3 - Drive Unit

Ref No.	Part Code	Description	Quantity
03-000	5AAY1700E*07	Drive Unit (FS-1700)	1
03-000	5AAY3700E*05	Drive Unit (FS-3700/+)	1
03-000	DR-22	Drive Unit (FS-1700+)	*
03-000	5AAY1700E*66	DRIVE GEAR PACK (FS-1700/+)	1
03-000	5AAY3700E*68	DRIVE GEAR PACK (FS-3700/+)	1
03-001	5AAXMT023GEA	Motor Main (FS-1700)	1
03-001	5AAXMT024GEA	Motor Main (FS-3700/+)	1
03-002	5MMX873SL006	Plate Drive (FS-1700)	1
03-002	5MMX873SL007	Plate Drive (FS-3700/+)	1
03-003	5EYYALAAK01**01	Clutch Regist	1
03-004	5EYYAFAAM01**01	Clutch Feed	1
03-005	5MVG169DN013	Gear Z21H-Z66H	1
03-006	5MVG169DN012	Gear Z25H-Z53H	1
03-007	5MVG158DN012	Gear Z42H	1
03-008	5MVG138DN023	Gear Z20H-Z30H	1
03-009	5MVG148DN016	Gear FREE Z34H	1
03-010	5MVG148DN017	Gear FREE Z37S	1
03-011	5MVG148NN004	Gear Z34S	1
03-012	5MVG169DN014	Gear Z26H-Z63H	1
03-013	5MVG158DN013	Gear Z23H-Z41H	1
03-014	5MVG148DN019	Gear Z23H-Z41H	1
03-015	5MVG158DN014	Gear Z43H-Z45S	1
03-016	5MVG169DN016	Gear Z35H-Z57H	1
03-017	5MVG144DB004	Gear Z27S-Z28H (FS-1700)	1
03-017	5MVG138DN024	Gear Z27S-Z28H (FS-3700/+)	1
03-018	5MVG154DN002	Gear Z44S	1
03-019	5MVG137DB024	Gear Clutch Z22	1
03-020	5MVG138DN021	Gear Clutch Z26S	1
03-021	5MVG138DN022	Gear Z28S	1
03-022	5MMW361LD011	Spring FREE	1
03-023	5MVM176DB008	Bushing SBK (FS-1700)	1
03-023	5MMM176DB005	Bushing SBK (FS-3700/+)	1
03-024	5MML75SL001	Plate Clutch	1
03-025	5MVX633DN002	Holder Clutch	1
03-026	5MMX532SL010	Plate Joint R	1
03-027	5MMX532SL011	Plate Joint F	1
03-028	5MMT565SN003	Shaft Clutch F	1
03-029	5MVM176DB008	Bushing STop	1
03-030	5MMW261LD006	Spring Joint	1
03-031	5MMX431LD004	Plate Earth Drive	1
03-032	5MVG122DN003	Gear Z18H	1
03-033	5MVG122NN003	Gear Z18H	1
03-034	5MVG122NN001	Gear Joint Z17H	1

Fig.4 - Controller Unit



Ref No.	Part Code	Description	Quantity
04-000	5AAPRMEG4019MH	DIMM PWB KP-610 (FS-1700+/3700+)	1
04-001	5MMB886SL017	Box Controller	1
04-002	5MVX876CB003	Case PWB Power	1
04-003	5MVX852CN001	Rail PWB Engine	1
04-004	5MVX221RB005	Foot	1
04-005	5MMS886SL009	Lid Controller	1
04-006	5MMS867SL007	Panel Rear	1
04-007	5MMX642SL010	Panel Engine	1
04-008	5MMX844SL002	Cover Controller	1
04-009	5MMX431LD005	Plate Earth Cont	1
04-010	5MMS646SD009	Plate Controller	1
04-011	5MMX622LD001	Plate Release Cont	1
04-012	5AACCNPR6GEA	Conn. Cord - S02017	1
04-013	5AACCNPQ8GEA	Conn. Cord - S02009	1
04-014	5AACCNPR4GEA	Conn. Cord - S02015	1
04-015	5AAPRIFC2006AH	Connect PWB KP-492 (FS-1700)	1
04-015	5AAPRIFC2006DH	Connect PWB KP-492 (FS-1700+)	1
04-015	5AAPRIFC2006BH	Connect PWB KP-492 (FS-3700)	1
04-015	5AAPRIFC2006CH	Connect PWB KP-492 (FS-3700+)	1
04-016	5AAPRIFC2007AH	Connect PWB KP-494 (FS-1700/3700)	1
04-016	5AAPRIFC2007BH	Connect PWB KP-494 (FS-3700+)	1
04-018	5AAPRIFC2005AH	Fux PWB Assy - KP-493	1
04-019	5AAPRLGG4027CH	Main PWB KP-498 240v (FS-1700)	1
04-019	5AAPRLGG4027DH	Main PWB KP-498 120v (FS-1700A)	1
04-019	5AAPRLGR4002AH	Main PWB KP-634 240v (FS-1700+)	1
04-019	5AAPRLGG4027EH	Main PWB KP-498 240v (FS-3700)	1
04-019	5AAPRLGR4002CH	Main PWB KP-498 240v (FS-3700+)	1
04-019	5AAPRLGG4027FH	Main PWB KP-498 120v (FS-3700A)	1
04-020	5AAEZ1700E*1	SW. PSU 240v (FS-1700/3700)	1
04-020	5AAEZ1700E*2	SW. PSU 240v (FS-3700+)	1
04-020	5AAY1700U*09	SW. PSU 120v (FS-1700A)	1
04-020	5AAY3700U*09	SW. PSU 120v (FS-3700A)	1
04-022	5AAPRCZG4007AH	Engine PWB KP-503 240v (FS-1700)	1
04-022	5AAPRCZG4007BH	Engine PWB KP-503 120v (FS-1700A)	1
04-022	5AAPRCZG2021AH	Engine PWB KP-... 240v (FS-1700+)	1
04-022	5AAPRCZG4007CH	Engine PWB KP-503 240v (FS-3700)	1
04-022	5AAPRCZG4007MH	Engine PWB KP-503 240v (FS-3700+)	1
04-022	5AAPRCZG4007DH	Engine PWB KP-503 120v (FS-3700A)	1
04-025	5EZNF2405001*01	Fan Motor	1
04-026	5MVL833SH001	Cover Cable	1
04-027	5MVS266SB003	Sheet Box B	1
04-028	5MVS753KN001	Sheet Box F (FS-1700A/FS-3700A)	1
04-029	5MVS653KN001	Sheet Box R (FS-1700A/FS-3700A)	1

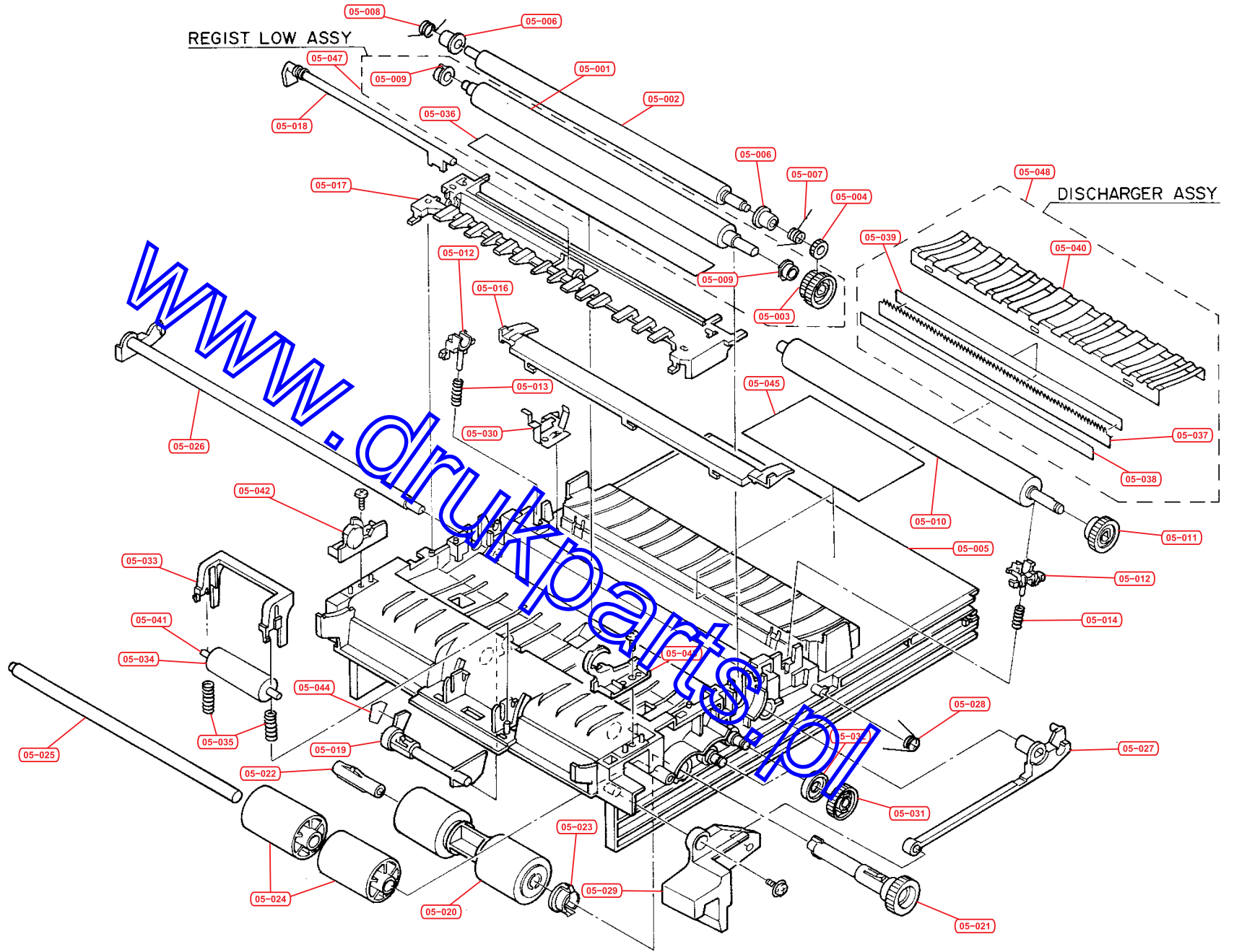


Fig. 5 - Feed Unit

Ref No.	Part Code	Description	Quantity
05-000	5AAY1700E*09	Feed Trans Unit	1
05-001	5MMT876SN046	Roller Regist LOW	1
05-002	5MMT821SN003	Roller Regist UP	1
05-003	5MVG148DB032	Gear Regist Z24-Z32	1
05-004	5MVG137DB064	Gear Regist Z24	1
05-005	5MVB886SB007	Base Feed	1
05-006	5MVM276DB011	Bush Regist A	1
05-007	5MMW172SX005	Spring Regist R	1
05-008	5MMW172LD008	Spring Regist	1
05-009	5MVM176DN019	Bush Pom A	1
05-010	5MMT876SN045	Roller Transfer	1
05-011	5MVG137DB065	Gear T/C Z23H	1
05-012	5MVX331DB007	Bush TransFER	1
05-013	5MMW241SX004	Spring Trans L	1
05-014	5MMW241SX005	Spring Trans R	1
05-016	5MVX832CB009	Paper Chute	1
05-017	5MVX863SB011	Guide Paper	1
05-018	5MVX722SH004	Sensor Doc	1
05-019	5MVX652CB001	Actuator Cassette	1
05-020	5AAVROLL*027	Feed Roll Assy	1
05-021	5MVG038DB003	Gear Feed Z27	1
05-022	5MVM410DB001	Holder Roller Feed	1
05-023	5MVM177DW002	Bush Feed	1
05-024	5MVM687DB001	Roller Guide	1
05-025	5MMT866SN001	Shaft Feed	1
05-026	5MVX842CB006	Shaft Release	1
05-027	5MVX731DW001	Shaft Lock R	1
05-028	5MMW161LD023	Spring Hinge R	1
05-029	5MVX664SW002	Lever Lock	1
05-030	5MMX533LD002	Plate Earth TC	1
05-031	5MVG138DB060	Gear Idle Z26	1
05-032	5MVM121DB061	Coller Joint	1
05-033	5MVB644SB004	Bracket M/P Roll	1
05-034	5MVM676DB001	Roller M/P	1
05-035	5MMW351LD004	Spring Roll M/P	1
05-036	5MVS822KF006	Sheet Regist C	1
05-037	5MMS711LD001	Brush Discharger	1
05-038	5MVS711KF003	Sheet Discharger	1
05-039	5MMU812AX001	Seal Adheasive	1
05-040	5MMU862SD003	Plate Paper Guide	1
05-041	5MMT633SS001	Shaft M/P Roll	1
05-042	5MVX432DB005	Hinge M/P L	1
05-043	5MVX432DB006	Hinge M/P R	1
05-044	5MMS211AX001	Seal Actuator	1

Ref No.	Part Code	Description	Quantity
05-045	5MVVL761WN41	Label Caution FE	1
05-047	5AAY1700E*55	Regist Low Assy	1
05-048	5AAY1700E*56	Discharger Assy	1

www.drukparts.pl

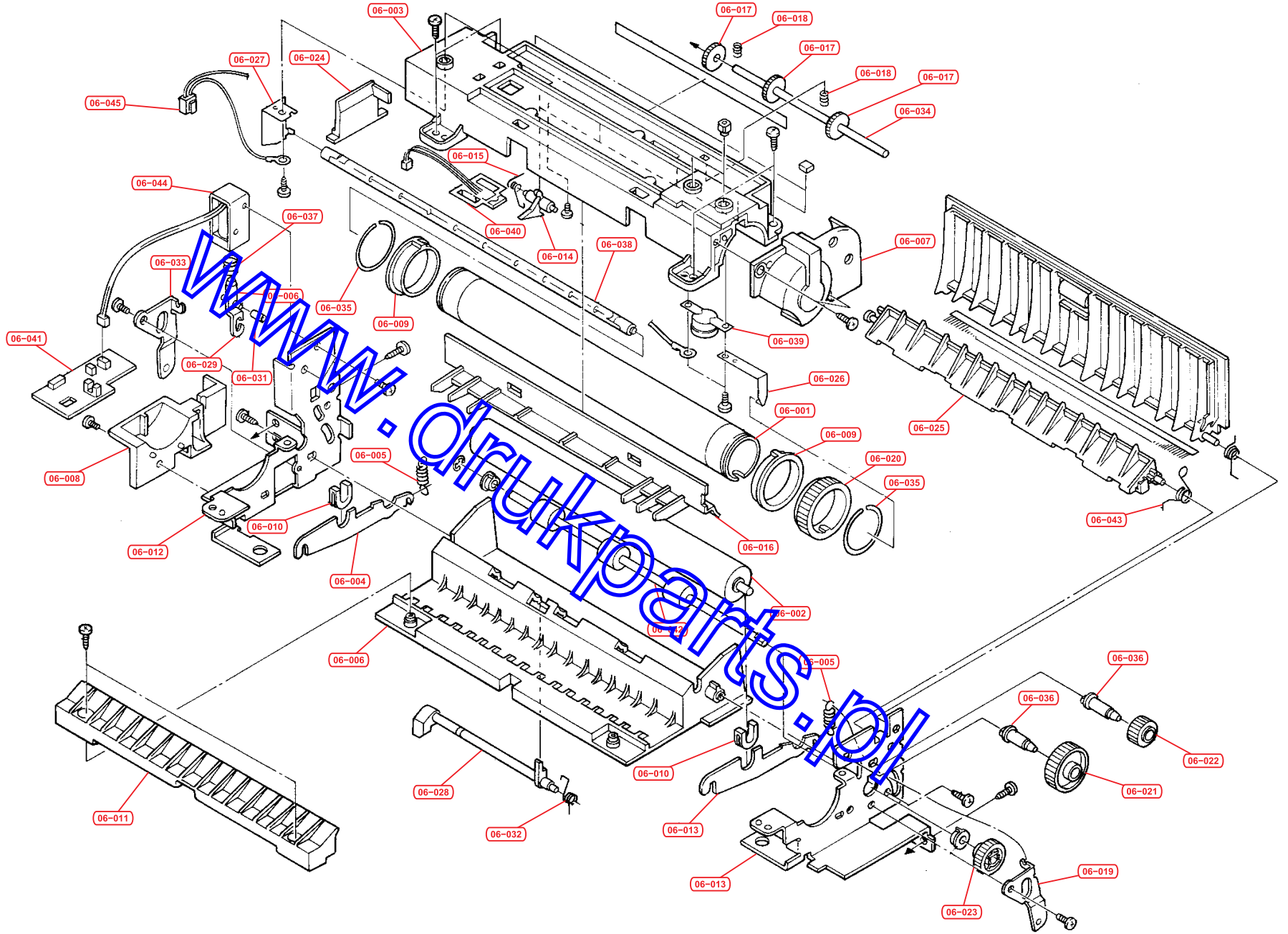


Fig.6 - Fuser Unit

Ref No.	Part Code	Description	Quantity
06-000	FK-20	Fuser Kit 5PLPZSFAPKE (FS-1700)	1
06-000	FK-20A	Fuser Kit 5PLPZSGAAKI (FS-1700A)	1
06-000	FK-21	Fuser Kit 5PLPZSHAPKE (FS-3700/+)	1
06-000	FK-21A	Fuser Kit 5PLPZSJAANKI(FS-3700A)	1
06-001	5MMT888AX013	Roller Heat	1
06-002	5MMT886SN009	Roller Press (FS-1700)	1
06-002	5MMT886SN011	Roller Press (FS-3700/+)	1
06-003	5MVB864KB002	Frame Fuser Up	1
06-004	5MMS627SL003	Plate Press	1
06-005	5MMW251LD004	Spring Press (FS-1700)	1
06-005	5MMW251LD008	Spring Press (FS-3700/+)	1
06-006	5MVX874KB001	Frame Fuser LOW	1
06-007	5MVB663KB001	Cover Fuser R	1
06-008	5MVX644KB001	Cover Fuser L	1
06-009	5MVM188XN012	Bush Heat	1
06-010	5MVM166XN001	Busing Press	1
06-011	5MVX832NB001	Paper Chute Fuser	1
06-012	5MMX666SL006	Plate Fuser L	1
06-013	5MMX666SL007	Plate Fuser R	1
06-014	5MVX222XN002	Separator	1
06-015	5MMW261LD015	Spring Separator	1
06-016	5MVX832KB002	Plate Fuser UP	1
06-017	5MVM176DB010	Pulley Exit	1
06-018	5MMW261LD016	Spring Pulley	1
06-019	5MMX531SL003	Plate Release R	1
06-020	5MVG158XN003	Gear Heat Z46	1
06-021	5MVG148XN005	Gear Joint Z36	1
06-022	5MVG127DW004	Gear Idle Z16	1
06-023	5MVG137DW002	Gear Exit Z21	1
06-024	5MVX432KB002	Support Lamp	1
06-025	5MVX832CB008	Guide Change	1
06-026	5MML143R0001	Holder Lamp R	1
06-027	5MMX332BD001	Holder Lamp L	1
06-028	5MVX741CB001	Actuator Fuser	1
06-029	5MVX311DB009	Actuator Sol	1
06-031	5MVM114RB002	Rubber Pin	1
06-032	5MMW261LD017	Spring Actuator	1
06-033	5MMX531SL002	Plate Release L	1
06-034	5MMT722SZ001	Shaft Exit	1
06-035	5MMW381SJ001	Ring Stop	1
06-036	5MVT366DB001	Pin Fuser	1
06-037	5MMW261LJ032	Spring Sol	1
06-038	5EZPB2412520201	Lamp Heater 240v (FS-1700)	1
06-038	5EZPB1215020201	Lamp Heater 120v (FS-1700A)	1

Ref No.	Part Code	Description	Quantity
06-038	5EZPB2413320103	Lamp Heater 240v (FS-3700/+)	1
06-038	5EZPB1216720103	Lamp Heater 120v (FS-3700A)	1
06-039	5EYFFQ16001Q*01	Thermal Cut-Out (FS-1700)	1
06-039	5EYFFQ17501Q*01	Thermal Cut-Out (FS-3700)	1
06-040	5AAXTM009GEA	Thermistor Assy	1
06-041	5AAPRIFC1008AH	Fuser PWB Assy KP-499 (FS-1700)	1
06-041	5AAPRIFC1008BH	Fuser PWB Assy KP-499 (FS-3700/+)	1
06-042	5MMT874SN004	Roller Exit	1
06-043	5MMW361LD010	Spring Change	1
06-044	5EZSA2401020307	Solenoid	1
06-045	5AACCNPW6GEA	Conn. Cord - S02039/41 240v	1
06-045	5AACCNPR1GEA	Conn. Cord - S02039/41 120v	1
06-046	5MVVL731WN14	Label Fuser Caution (FS-1700)	1
06-046	5MVVL731WN15	Label Fuser Caution (FS-3700/+)	1

www.drukparts.nl

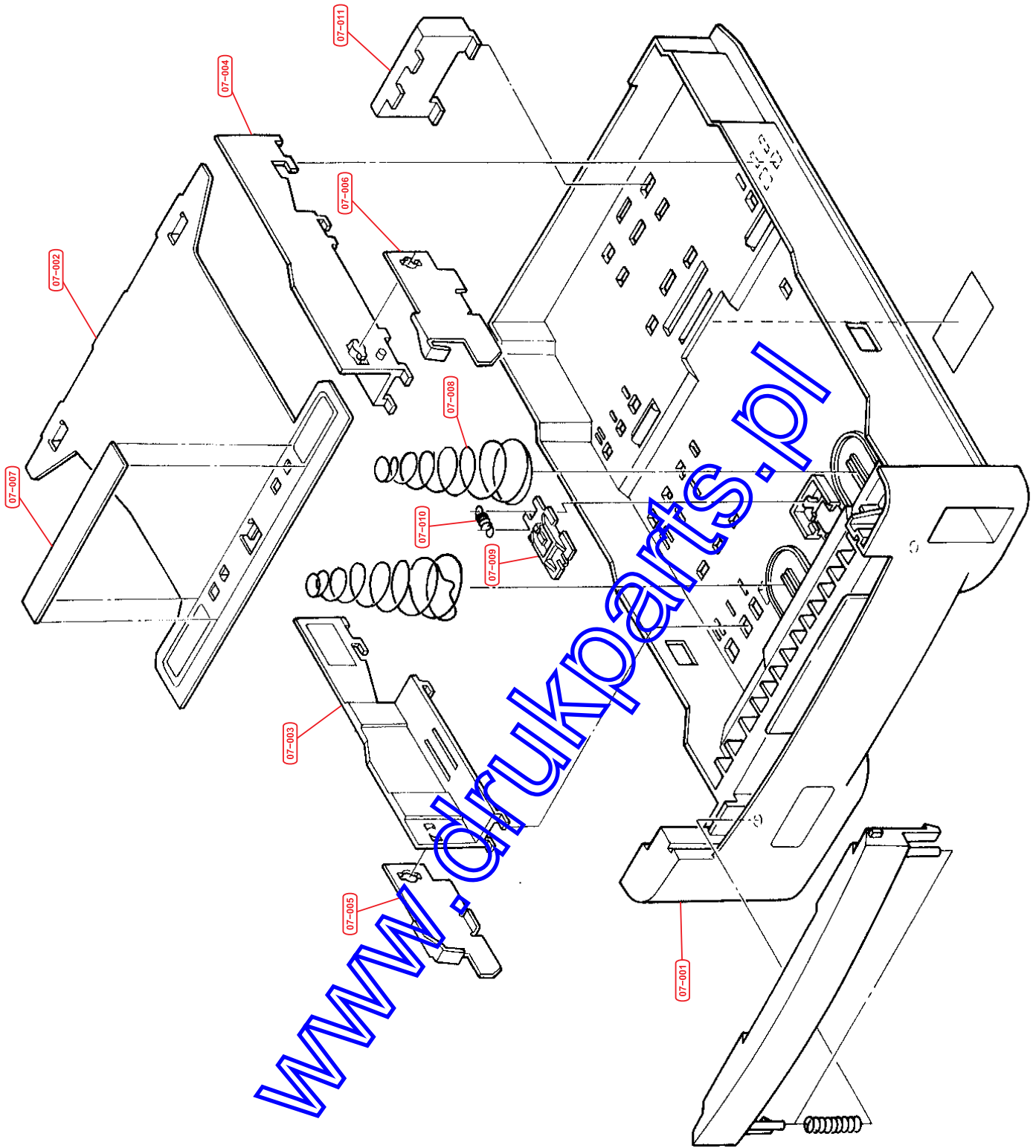


Fig.7 - Cassette

Ref No.	Part Code	Description	Quantity
07-000	PC-21	Paper Cassette	1
07-001	5MVB886SH053(A4)	Base Cassette	1
07-001	5MVB886SH054(LTR)	Base Cassette	1
07-002	5MMS876SL008(A4)	Plate Bottom	1
07-002	5MMS876SL009(LTR)	Plate Bottom	1
07-003	5MVL753SH001	Plate Side L	1
07-004	5MVL753SH002	Plate Side R	1
07-005	5MML641SW001	Nail L	1
07-006	5MML641SW002	Nail R	1
07-007	5MVS726XN001	Pad Separator	1
07-008	5MMW646LD001	Spring Cassette	1
07-009	5MVX421DW001	Lock Bottom	1
07-010	5MMW411LD002	SP Stopper Bottom	1
07-011	5MVX642SH007	Retainer (LTR)	1

www.drukparts.pl

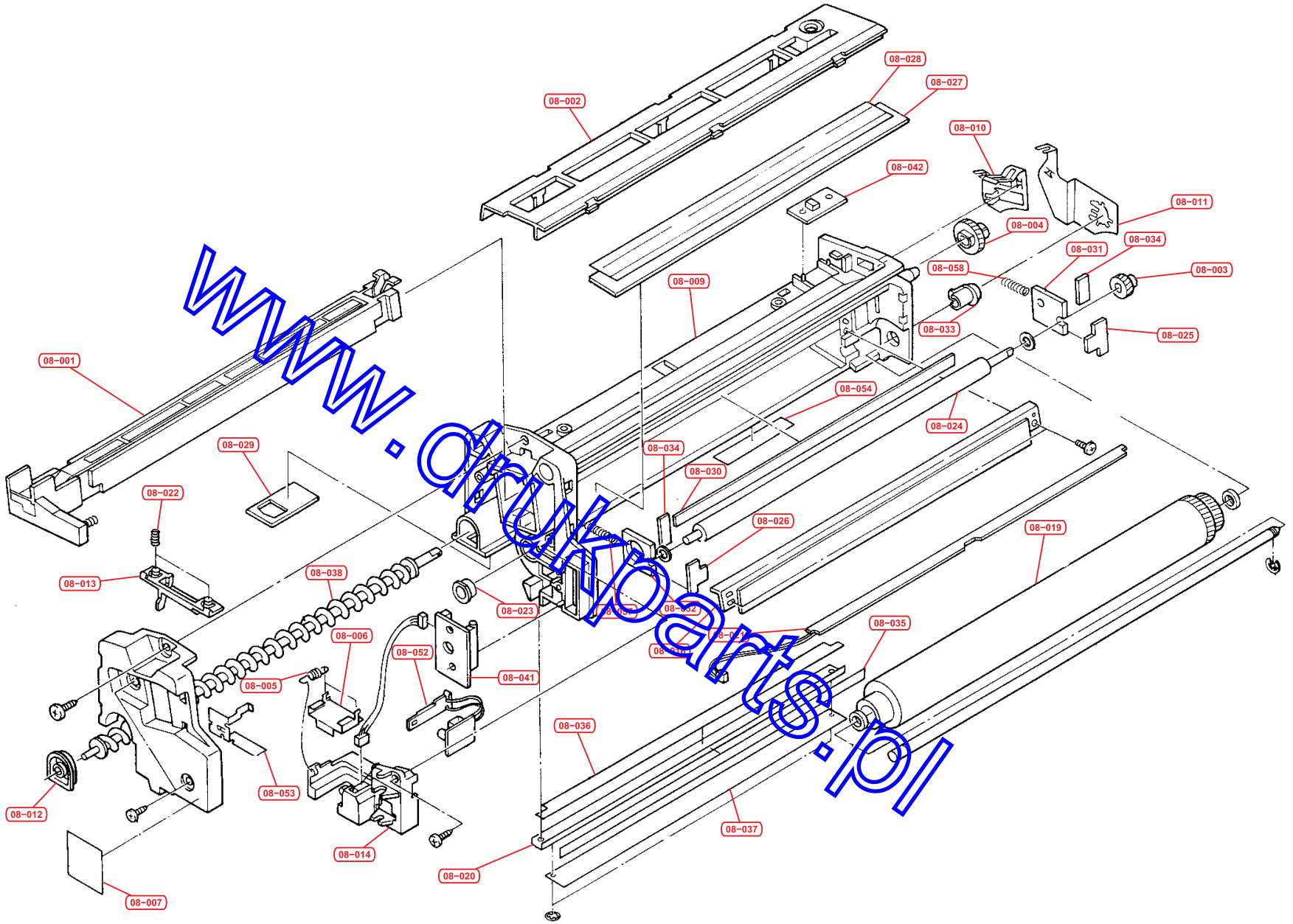


Fig.8 - Drum Unit

Ref No.	Part Code	Description	Quantity
08-000	DK-20	Drum Unit 5PLPZSEAPKE(FS-1700)	1
08-000	DK-22	Drum Unit 5PLPZ9FAEKX(FS-1700+)	1
08-000	DK-21	Drum Unit 5PLPZSCAPKE(FS-3700/+)	1
08-001	5AAY1700E*23	MCH Assy	1
08-002	5MVL854SB001	Cover Drum Up	1
08-003	5MVG112NN001	Gear Roll Z10H	1
08-004	5MVG137DN001	Gear Screw Z21H	1
08-005	5MMW251SX001	Spring Shutter	1
08-006	5MMC231LD002	Shutter Waste	1
08-007	5MVB663SB028	Cover Drum Left	1
08-008	5MVB662SB026	Cover Drum Right	1
08-009	5MVB866CB004	Frame Drum	1
08-010	5MMX332LD007	Plate Zenner	1
08-011	5MMX552LD002	Plate Earth Drum	1
08-012	5MVM122DN001	Bush Screw	1
08-013	5MVX621SB008	Lock MCH	1
08-014	5MVX644SC001	Bracket Sensor	1
08-015	5MVX421SB017	Slider Waste	1
08-016	5AAVBlade025	Blade Assy	1
08-017	5MVX422SN001	Link Waste	1
08-018	5MMW351LD003	Spring Waste	1
08-019	5AAY1700E*24	Drum Assy	1
08-020	5MML821LD006	Bracket Sheet	1
08-021	5AAXLD028GEA	LEO Assy	1
08-022	5MMW154LD004	Bracket Sheet	1
08-023	5MVM176DN016	Bush A	1
08-024	5MMT864XN001	Roll Cln	1
08-025	5MVS428LN007	Seal Drum Right	1
08-026	5MVS428LN008	Seal Drum Left	1
08-027	5MVS821MN001	Seal Scraper	1
08-028	5MVS821SN001	Sheet Scraper	1
08-029	5MVS628LN001	Seal Shutter	1
08-030	5MVS811MN002	Seal Blade Long	1
08-031	5MVQ321XN003	Bush Cleaner Right	1
08-032	5MVQ321XN004	Bush Cleaner Left	1
08-033	5MVF276CB001	Bush Drum Right	1
08-034	5MVS218RN010	Seal Blade	1
08-035	5MVS811RN004	Sheet Roll	1
08-036	5MVS812XN001	Tape Adhesive	1
08-037	5MVS822KB002	Sheet Drum Low	1
08-038	5MVT876CB005	Screw Cleaner	1
08-039	5MVS218RN010	Seal Blade	1
08-040	5MMW141LD013	Spring Roll R	1
08-041	5AAPRIFC1012AH	PWB Assy (FS-1700)	1

Ref No.	Part Code	Description	Quantity
08-041	5AAPRIFC1012AH	PWB Assy (FS-3700/+)	1
08-042	5AAPRIFC1047H	PWB Assy - KP-501	1
08-052	5MVS418SB001	Spacer LED	1
08-053	5MMX522LD010	Plate Earth A	1
08-054	5MMS621AX003	Sheet Heat Drum	1
08-056	5MVVL331WN13	Label Drum	1
08-057	5MMW141SX015	Spring Roll 0.8	1
08-058	5MMW141SX003	Spring Roll 1.4	1

www.drukparts.pl

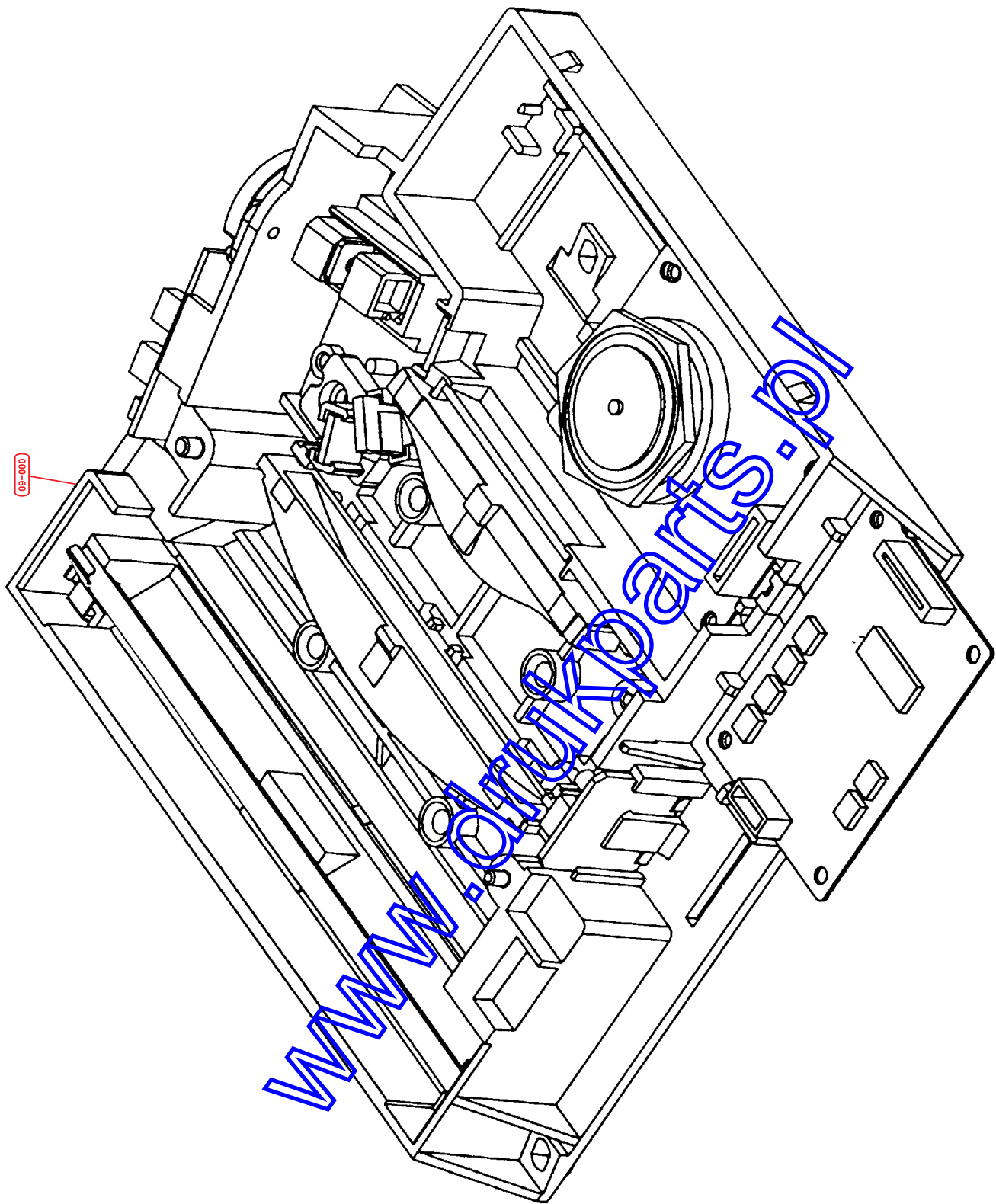


Fig.9 - Scanner Unit

Ref No.	Part Code	Description	Quantity
09-000	LK-20	Scanner Unit 5AA1700E*05(FS-1700)	1
09-000	LK-22	Scanner Unit 5PLPZ9FAEKX(FS-1700+)	1
09-000	LK-21	Scanner Unit 5AA3700E*03(FS-3700/+)	1
09-001		Polygon Motor Assy	1
09-002		Laser Module Assy	1
09-003		Collimate Lens Assy	1
09-004		Adjust PD Assy	1
09-005		Cylindrical Lens	1
09-006		F Lens A	1
09-007		F Lens B	1
09-008		SOS Lens	1
09-009		Mirror A	1
09-010		Glass	1
09-011		Glass A	1
09-012		Glass B	1
09-013		Frame Scanner	1
09-014		Frame Scanner	1
09-015		Spring Mirror	1
09-016		P.W. Board Assy, PD	1
09-017		P.W. Board Assy	1
09-018		Conn. Cord	1
09-019		Glass A	1
09-020		Glass B	1
09-021		Seal Polygon	1

www.druckparts.pl

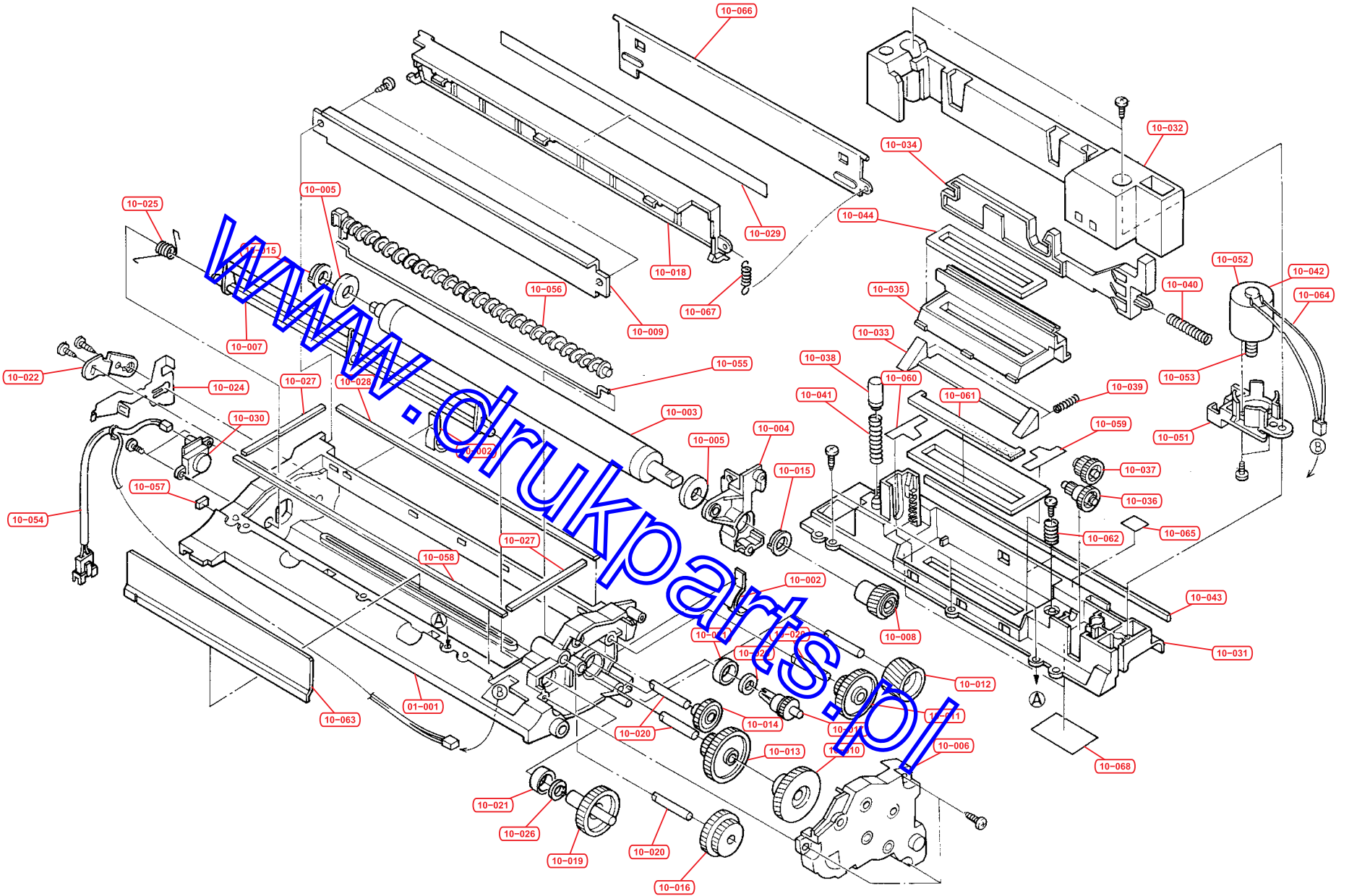


Fig.10 - Developer Unit

Ref No.	Part Code	Description	Quantity
10-000	DV-20	Developer Unit 5PLPZEAPKE	1
10-001	5MVB876SB011	Case DLP	1
10-002	5MVS518XF001	Seal Side DLP	1
10-003	5AAVROLER029	Roller Magnet	1
10-004	5MVX643SB007	Holder Mag	1
10-005	5MVM187DB007	Pulley Dlp	1
10-006	5MVB663SB032	Cover Side R	1
10-007	5MVX821SB006	Scraper Dlp A	1
10-008	5MVG127DB041	Gear Z19H	1
10-009	5MML831LD004	Blade Dlp	1
10-010	5MVG148DB033	Gear Z18S-Z39H	1
10-011	5MVG148DB034	Gear Z36S-Z14S	1
10-012	5MVG138DB061	Gear Z23H	1
10-013	5MVG148DB037	Gear Z40S-Z14S	1
10-014	5MVG137DB066	Gear Z23S	1
10-015	5MVM170XN002	Bush Mag	1
10-016	5MVG148DB038	Gear Z34S-Z20S	1
10-017	5MVG127DB042	Gear Scraper Z20S	1
10-018	5MVB843SB001	Cover Mag	1
10-019	5MVG148DB039	Gear Scraper Z35S	1
10-020	5MMT455SZ002	Pin Dlp	1
10-021	5MVM177XN004	Bush Scraper	1
10-022	5MVZ222SB001	Cap Mag L	1
10-024	5MMX631LD002	Plate Bias	1
10-025	5MMW161LD026	Spring Sensor	1
10-026	5MVS708XF001	Seal Scraper	1
10-027	5MVS618RF014	Seal Case A	1
10-028	5MVS818RF012	Seal Case B	1
10-029	5MVS812RF003	Seal Cover Mag	1
10-030	5ENXTSP15A10001	Toner Sensor	1
10-031	5MVX866SB000	Lid Dlp	1
10-032	5MVB851SB001	Cover Dlp	1
10-033	5MVX622DB003	Shutter Dlp	1
10-034	5MVX751DB001	Lever Dlp	1
10-035	5MVX652SB010	Cover Shutter	1
10-036	5MVG026DN001	Worm Wheel H26-Z14	1
10-037	5MVG137DB056	Gear Idle Z30-Z15	1
10-038	5MVM211SB003	Cap Dlp	1
10-039	5MMW451LJ002	Spring Shutter	1
10-040	5MMW466SD001	Spring Lever	1
10-041	5MMW461LD007	Spring Lid	1
10-042	5AAY1700E*38	Toner Motor Assy	1
10-043	5MVS818RF012	Seal Case B	1

Ref No.	Part Code	Description	Quantity
10-044	5MVS638RF005	Seal Shutter A	1
10-045	5MVS648RF006	Seal Shutter B	1
10-051	5MVX544SB001	Bracket Motor	1
10-052	5EZND2402601*01	DC Motor	1
10-053	5MVG115DN001	Gear Worm	1
10-054	5AACCNPS2GEA	Conn. Cord – S2023	1
10-055	5MMW802LD004	Scraper Dlp B	1
10-056	5MVT864CB004	Screw Dlp	1
10-057	5MVS118RF027	Seal Case C	1
10-058	5MVS817RF015	Seal Case D	1
10-059	5MV312KF027	Seal Shutter CL	1
10-060	5MVS312KF028	Seal Shutter CR	1
10-061	5MVS618RF015	Seal Shutter D	1
10-062	5MMW266SB001	Spring Lid B	1
10-063	5MVS737SB001	Separator Dlp	1
10-064	5AACCNPT8GEA	Conn. Cord	1
10-065	5MVS222KF010	Seal Lid	1
10-066	5MVX831SB004	Cover Sleeve	1
10-067	5M5MMW141LJ007	Spring Cover Slv	1
10-068	5MVS751KF002	Seal Lid Dlp	1

www.drukparts.pl

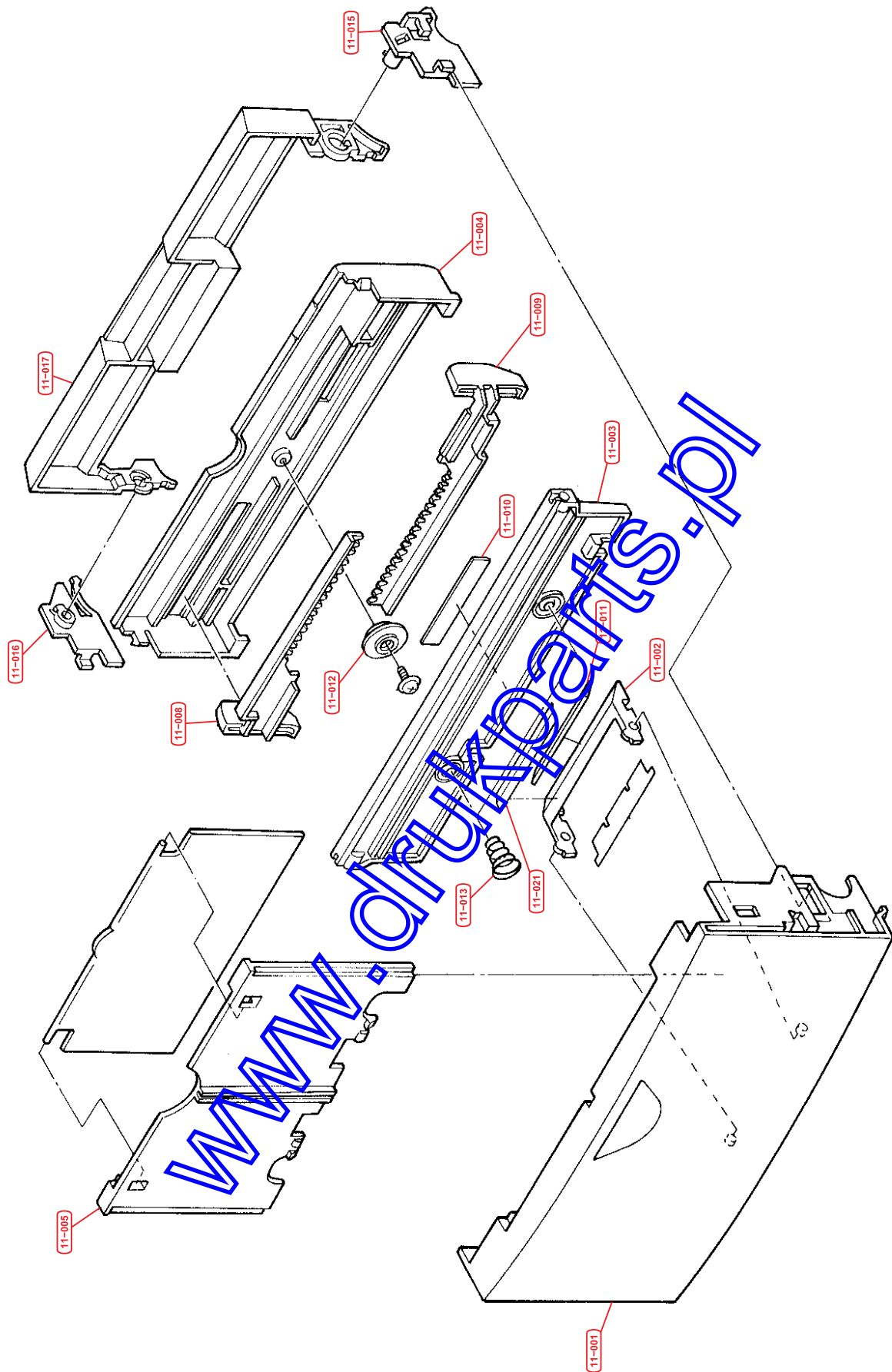


Fig.11 - Multi Feed Unit

Ref No.	Part Code	Description	Quantity
11-000	5AAVFeedR017	MPF Assy	1
11-001	5MVB874SH016	Base M/P	1
11-002	5MVX622SH003	Separator	1
11-003	5MVB851SH002	Bottom M/P A	1
11-004	5MVB862SH010	Bottom M/P B	1
11-005	5MVX761SH003	Tray M/P	1
11-008	5MVX753DH001	Guide M/P L	1
11-009	5MVX753DH002	Guide M/P R	1
11-010	5MVS617WK001	Pad Friction	1
11-011	5MVS617WK002	Pad Separator	1
11-012	5MVG127DH001	Gear Manual	1
11-013	5MMW371LD003	Spring Bottom	1
11-015	5MVX421DH001	Lock M/P L	1
11-016	5MVX421DH002	Lock M/P R	1
11-017	5MVX863SH004	Lever M/P	1
11-021	5MML632LD001	Plate Separator A	1
11-022	5MMS622LD002	Plate Separator B	1

www.drukparts.pl