



---

ES-1050  
Laser Printer

## PARTS LIST

Published in July, 2002  
FS105070770  
842FS1050120

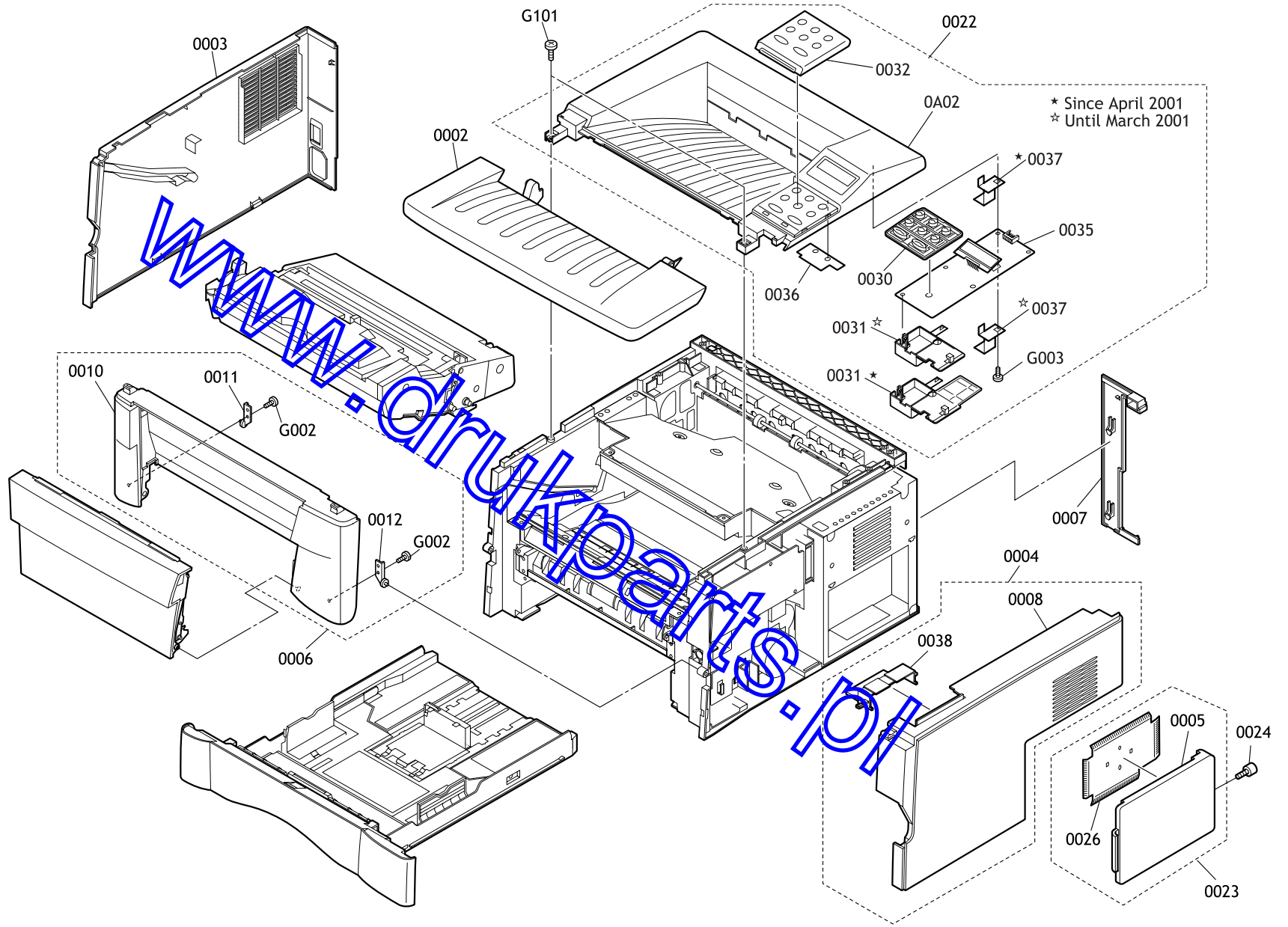
[www.drukparts.pl](http://www.drukparts.pl)

## Ordering Information

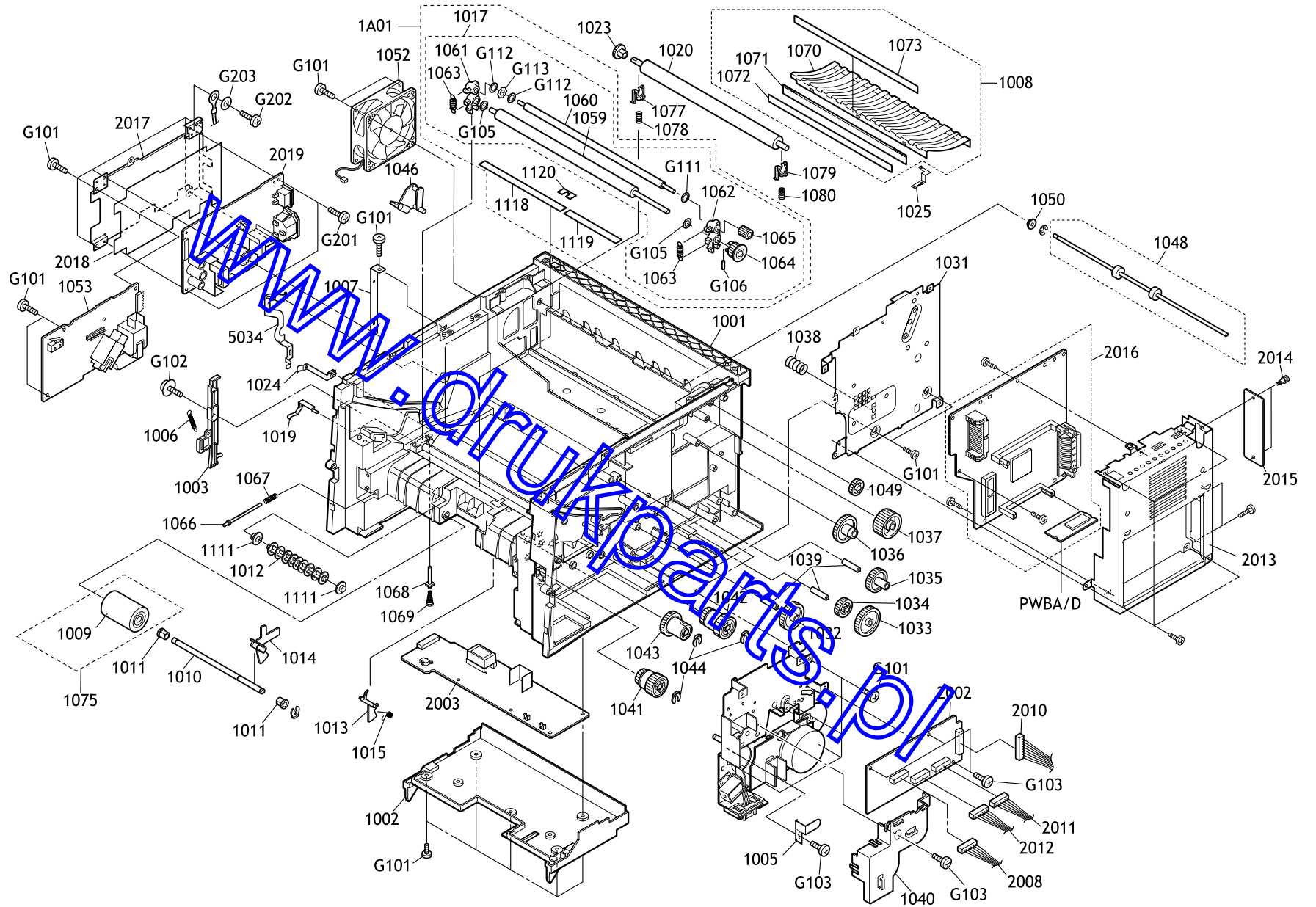
1. ISP refers to Initially- supplied part; SP refers to Service part.
2. The Ref. No's correspond to those numbers in the exploded diagram.
3. Availability of ISP (Initially- Supplied Parts) varies depending on the destination of the product. For details, refer to the ISP List supplied separately by Kyocera.
4. Those parts bearing numbers in the diagram but not listed in the parts list are not suppliable as a general supply part.

[www.drukparts.pl](http://www.drukparts.pl)

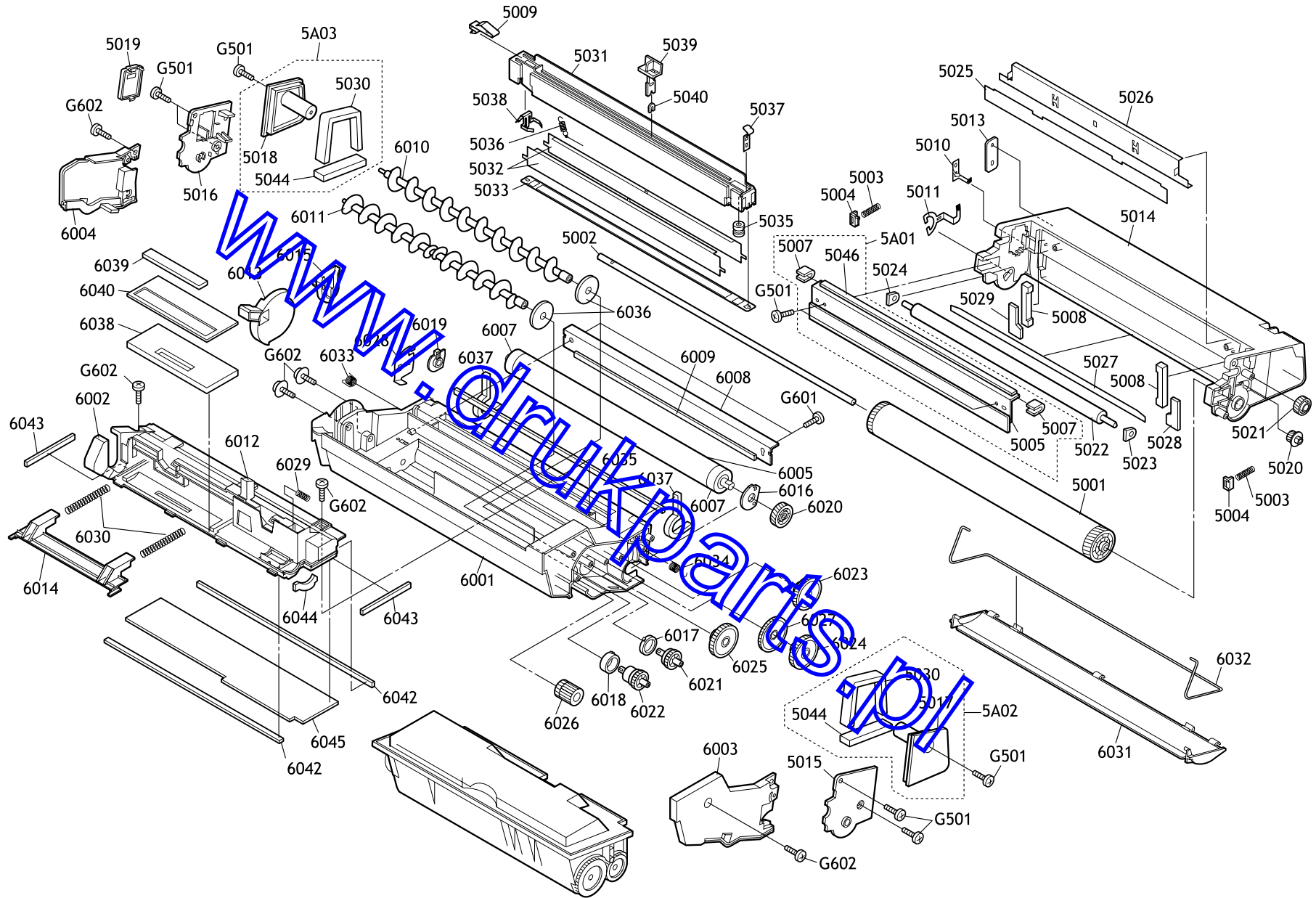
# 1 - Enclosure



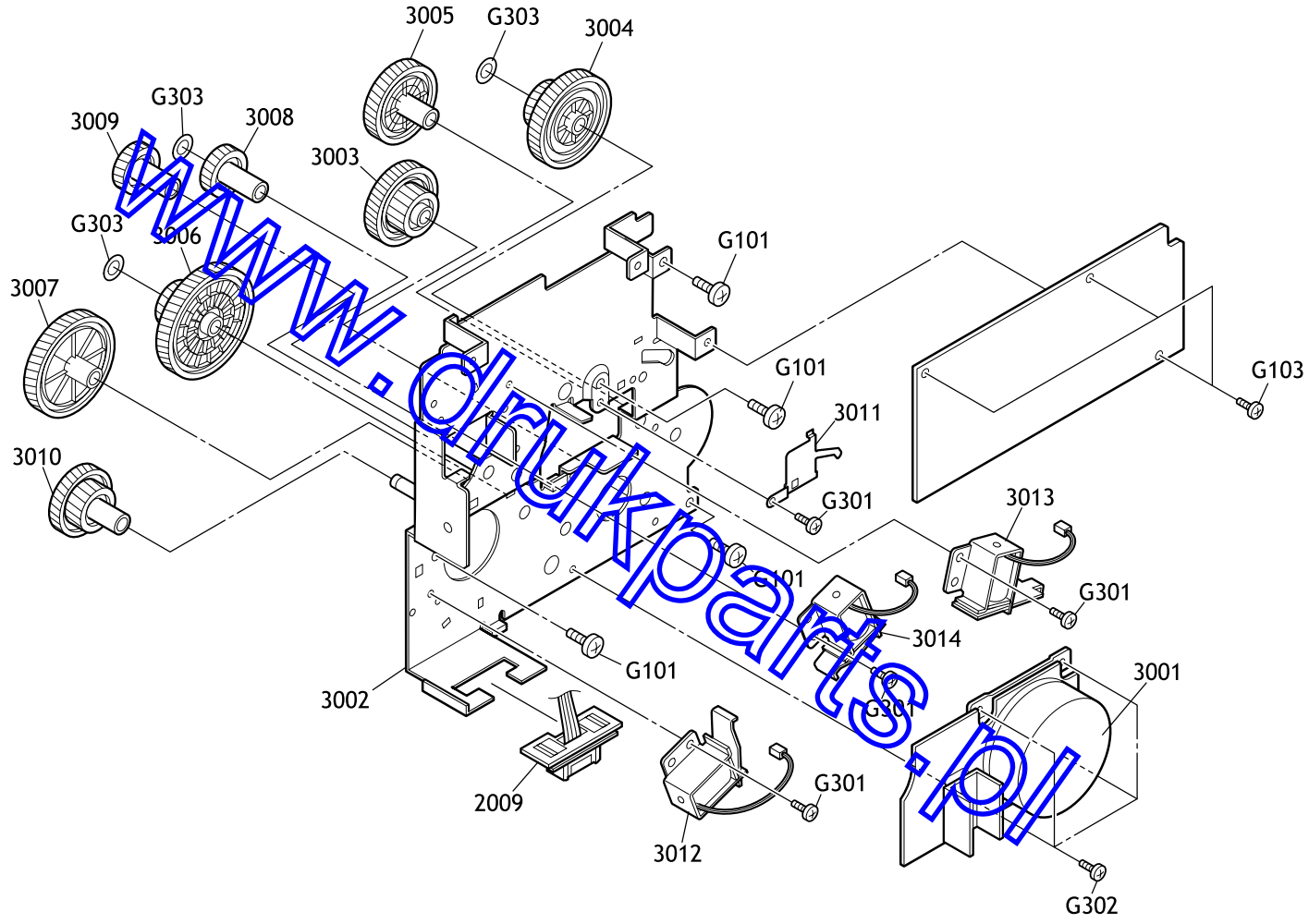
## 2 - Frame



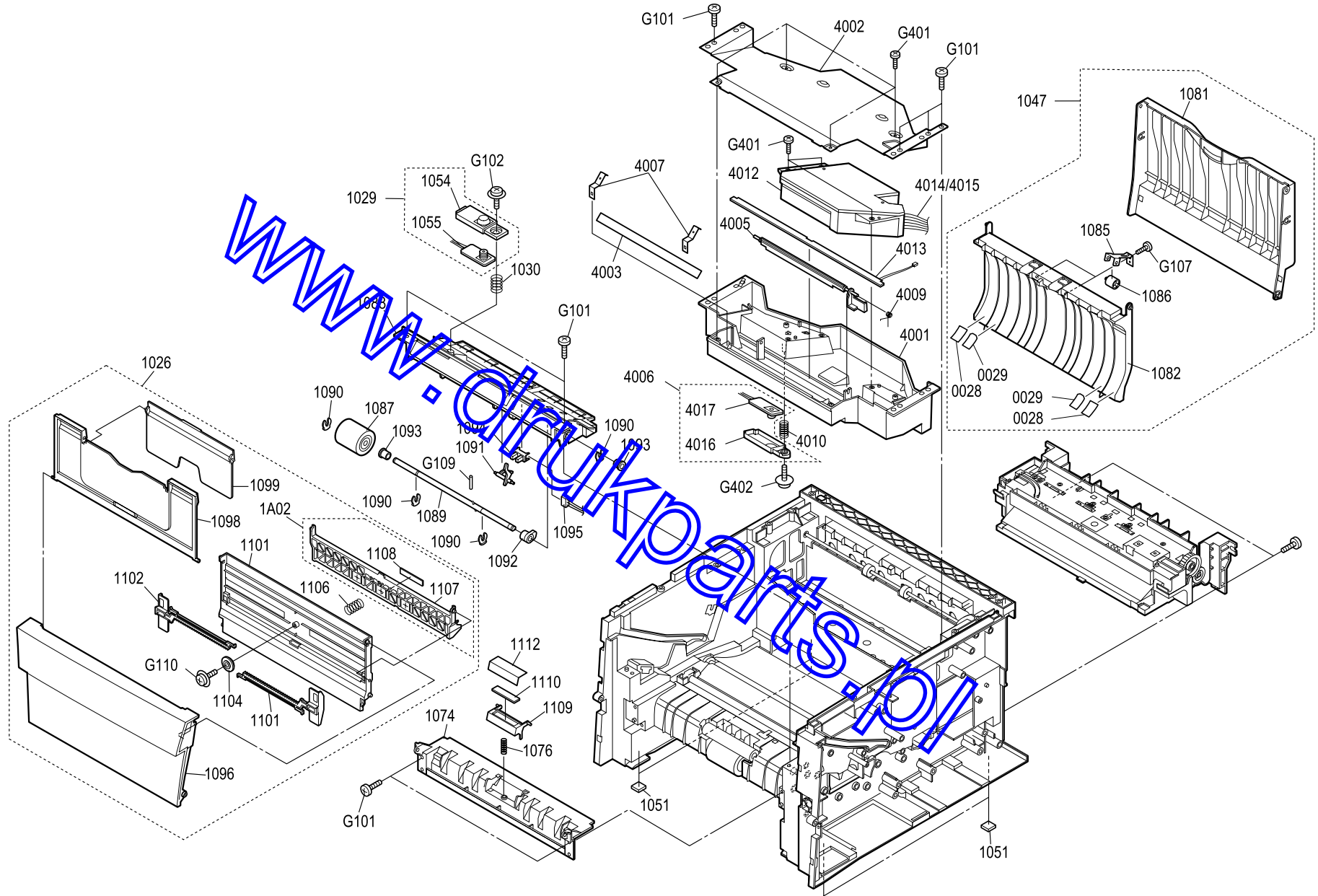
### 3 - Developer Unit



# 4 - Drive Unit

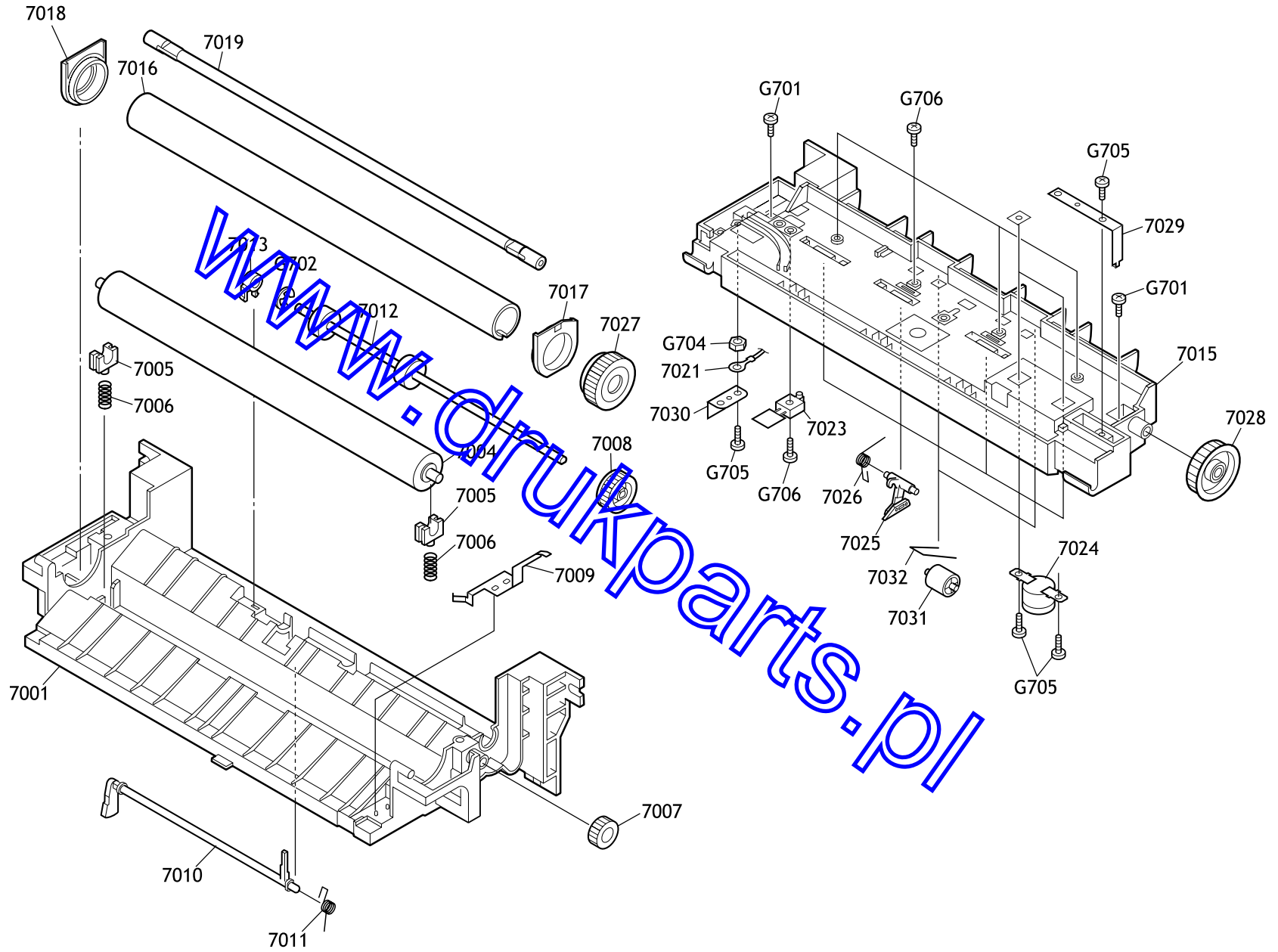


# 5 - Upper Frame



www.drukparts.com

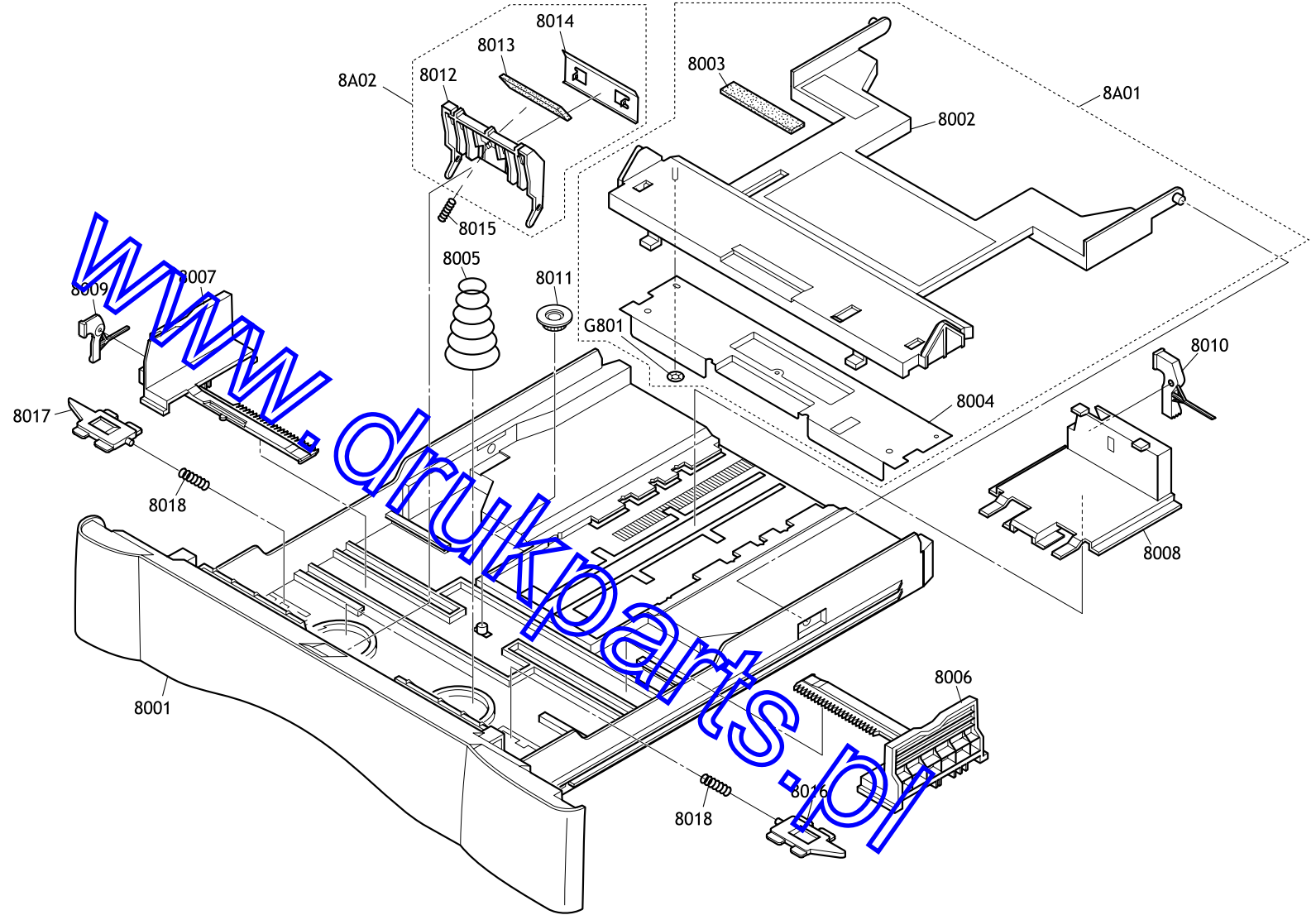
### 6 - Fuser Unit



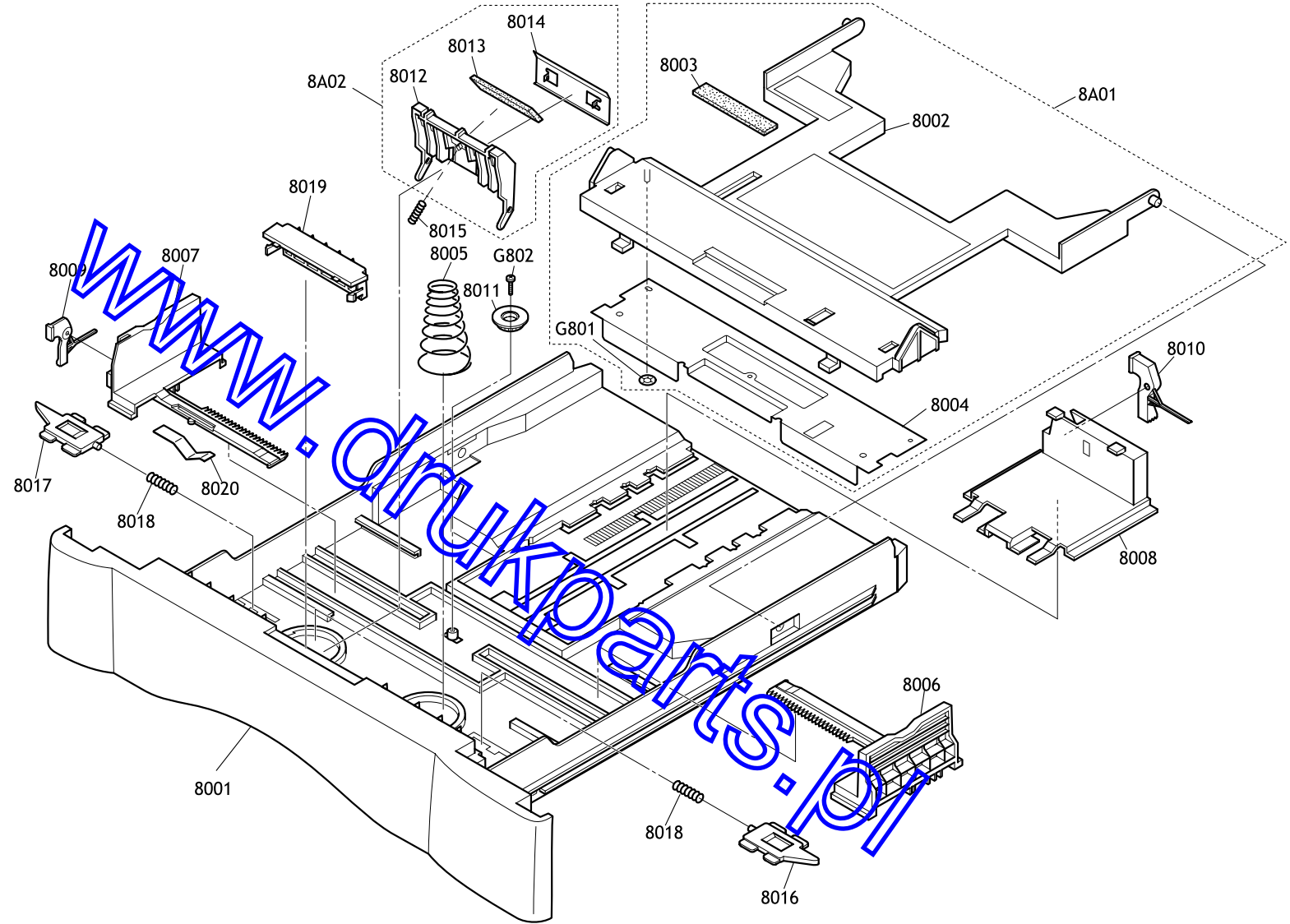
[www.drukparts.pl](http://www.drukparts.pl)



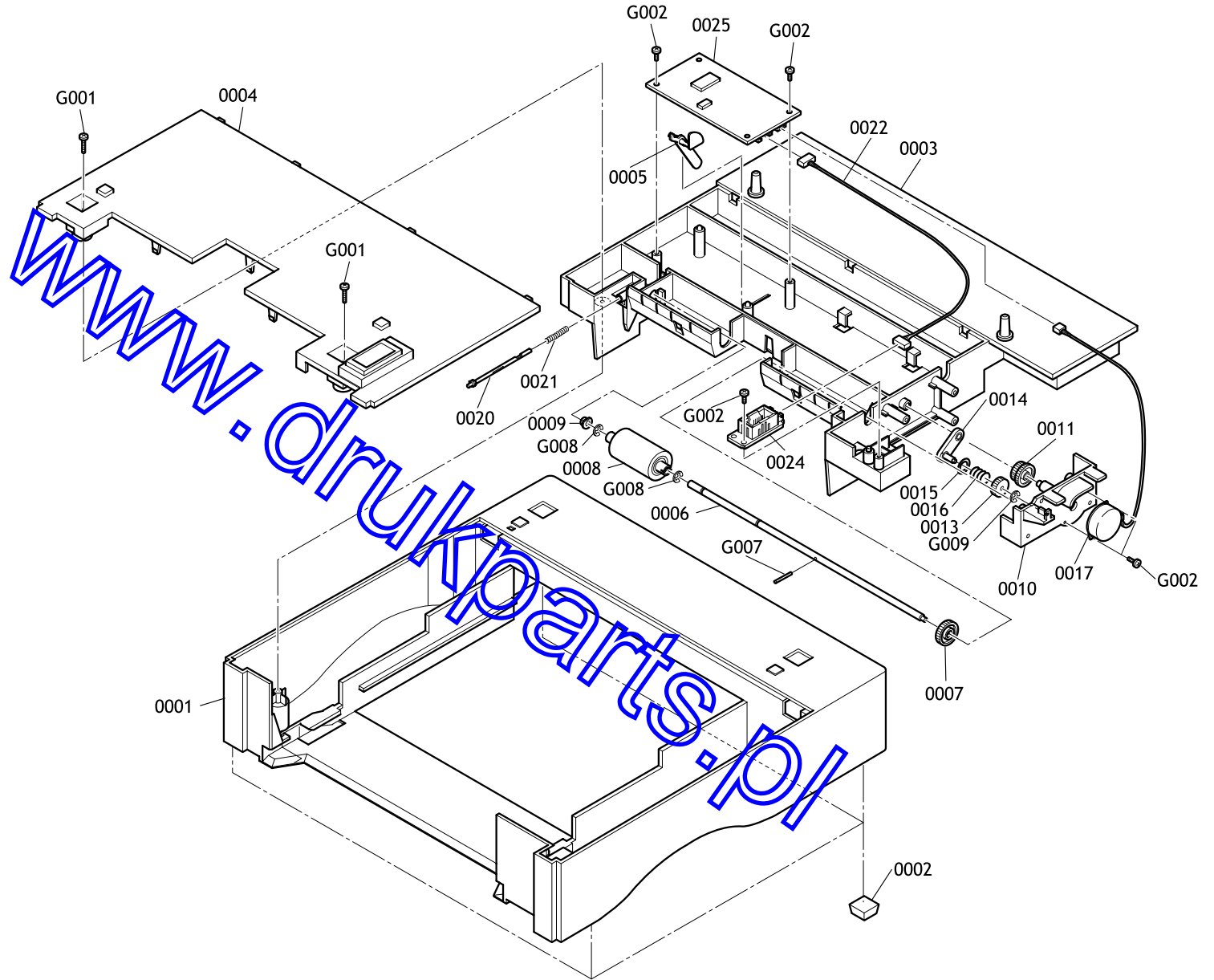
# 7 - Paper Cassette



### 8 - Option Paper Feeder, Paper Cassette



# 9 - Paper Feeder



www.druckparts.pl

## 10 - Parts Lists

## Modules

Ref. No.	Part Number	Alternative	Alternative	Description	ISP	Q'ty	CHP-4150	KMDE	KMA	KMSG	Remarks
	5PLPXKVAPKX			PU-42 PROCESS UNIT	1	1	No	Yes	Yes	Yes	
	5PLPXNRAK0E			PU-42K PROCESS UNIT	1	1	Yes	No	No	No	
	5PLPXKYAPKX			FK-42 FUSER UNIT (E)	240V	1	1	Yes	Yes	No	Yes
	5PLPXKZAPKX			FK-42 FUSER UNIT (U)	120V	1	1	No	No	Yes	No
	5PLPXKWAPKX			LK-42 SCANNER UNIT	1	1	Yes	Yes	Yes	Yes	
	5PLPXXAPKX			DR-42 DRIVE UNIT	1	1	Yes	Yes	Yes	Yes	
	5PLPXU5AEKX			MC-40 MCH ASSY	1	1	Yes	Yes	Yes	Yes	
	5PLPXLBAPKX			PC-42 CASSETTE ASSY A4	1	1	Yes	Yes	No	Yes	
	5PLPXMLAPKX			PC-42 CASSETTE ASSY LTR	1	1	No	No	Yes	No	

## 0000 – 0999 (Sheet 1 of 2)

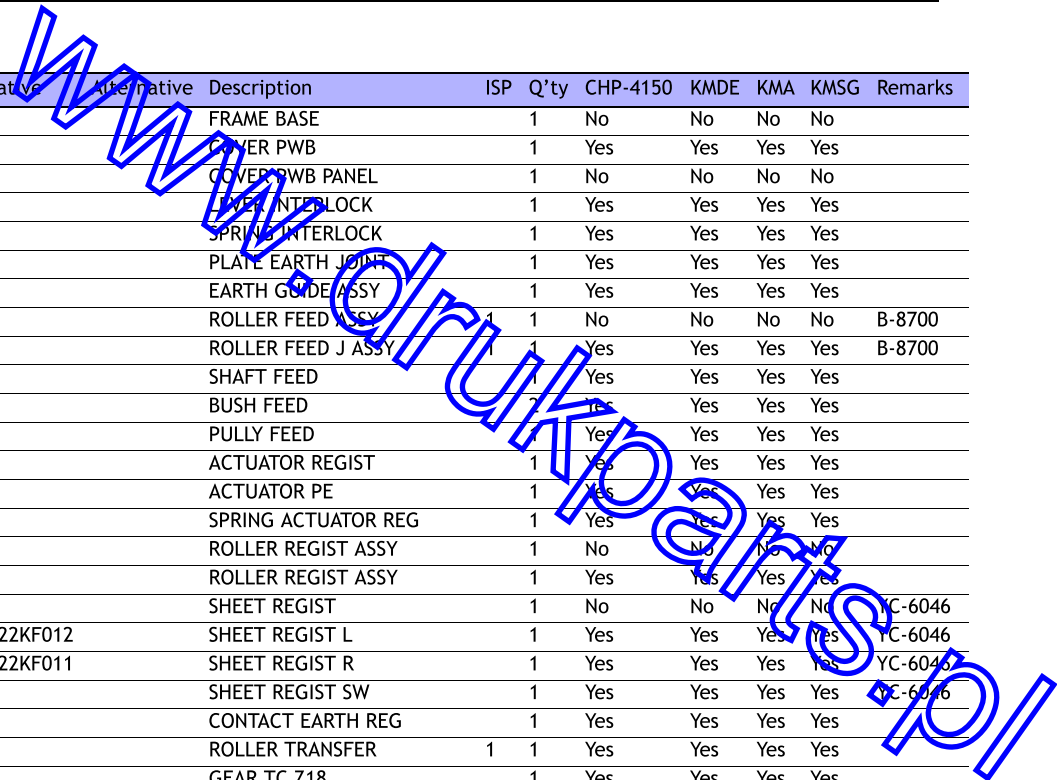
Ref. No.	Part Number	Alternative	Alternative	Description	ISP	Q'ty	CHP-4150	KMDE	KMA	KMSG	Remarks
0001	5MVB886CH008			COVER TOP	1	1	Yes	No	No	No	
0001	5MVB886CH013			COVER TOP	1	1	No	Yes	Yes	Yes	
0002	5MVB876CH013			LID TOP	1	1	Yes	No	No	No	
0002	5MVB876CH015			LID TOP	1	1	No	Yes	Yes	Yes	
0003	5MVB886CH009			COVER LEFT	1	1	Yes	Yes	Yes	Yes	
0004	5AAY3010E+27			COVER RIGHT ASSY	1	1	Yes	No	No	No	
0004	5AAYA87CH+12			COVER RIGHT ASSY	1	1	No	Yes	Yes	Yes	
0005	5MVB773CH001			COVER DIMM	1	1	Yes	Yes	Yes	Yes	
0006	5AAY3010E+28			COVER FRONT ASSY	1	1	Yes	No	No	No	
0006	5AAYA93E++08			COVER FRONT ASSY	1	1	No	Yes	Yes	Yes	
0007	5MVB851SH003			COVER REAR SIDE	1	1	Yes	Yes	Yes	Yes	
0008	5MVB885CH004			COVER RIGHT	1	1	Yes	Yes	Yes	Yes	
0010	5MVB875CH001			COVER FRONT	1	1	Yes	No	No	No	
0011	5MVX422DN005			HINGE FRONT L	1	1	Yes	Yes	Yes	Yes	
0012	5MVX422DN006			HINDE FRONT R	1	1	Yes	Yes	Yes	Yes	
0013	5MVX444SH001			BUTTON A	1	1	Yes	No	No	No	
0014	5MVX444SH002			BUTTON B	1	1	Yes	No	No	No	
	5MVX631SH008			BUTTON	1	1	No	Yes	Yes	Yes	
0015	5MVX322SN002			LEVER BUTTON	1	1	Yes	No	No	No	
0017	5MVB764SH013			HOLDER PANEL	1	1	Yes	No	No	No	
0022	5AAY3010E+46			COVER TOP ASSY	1	1	Yes	No	No	No	
0022	5AAYA93E++16			COVER TOP ASSY	1	1	No	Yes	Yes	Yes	
0023	5AAY3010E+47			COVER DIMM ASSY	1	1	Yes	Yes	Yes	Yes	
0024	5MMT263SN012			SCREW OP	1	1	Yes	Yes	Yes	Yes	
0025	5MVS825LD001			DISCHARGER FD	1	1	Yes	No	No	No	

0000 – 0999 (Sheet 2 of 2)

Ref. No.	Part Number	Alternative	Alternative	Description	ISP	Q'ty	CHP-4150	KMDE	KMA	KMSG	Remarks
0025	5MVS711XF003			DISCHARGER FD		2	No	Yes	Yes	Yes	
0026	5MMX761LD002			PLATE SHIELD		1	Yes	Yes	Yes	Yes	
0032	5MVX763CH001			COVER PANEL		1	No	No	No	No	
0035	5AAPRKBC2003AH			P.W.BOARD ASSY	KP-886	1	No	Yes	Yes	Yes	
0036	5MVS632KN004			SHEET LED		1	No	Yes	Yes	Yes	
0037	5MVX322CW001			SHEET TOP		1	No	Yes	Yes	Yes	
0038	5MVB764SH016			COVER PANEL RIGHT		1	No	Yes	Yes	Yes	
0A01	5AAY3010E+51			GUIDE LED KIT		1	Yes	No	No	No	

1000 – 1999 (Sheet 1 of 3)

Ref. No.	Part Number	Alternative	Alternative	Description	ISP	Q'ty	CHP-4150	KMDE	KMA	KMSG	Remarks
1001	5MVB888CB002			FRAME BASE		1	No	No	No	No	
1002	5MVB874CH002			COVER PWB		1	Yes	Yes	Yes	Yes	
	5MVB874CH004			COVER PWB PANEL		1	No	No	No	No	
1003	5MVX721DN001			MPF INTERLOCK		1	Yes	Yes	Yes	Yes	
1006	5MMW351LD006			SPRING INTERLOCK		1	Yes	Yes	Yes	Yes	
1007	5MML622LD003			PLATE EARTH JOINT		1	Yes	Yes	Yes	Yes	
1008	5AAY3010E+31			EARTH GUIDE ASSY		1	Yes	Yes	Yes	Yes	
1009	5AAVROLL*044			ROLLER FEED ASSY		1	No	No	No	No	B-8700
1009	5AAVROLL+056			ROLLER FEED J ASSY		1	Yes	Yes	Yes	Yes	B-8700
1010	5MMT766SN007			SHAFT FEED		1	Yes	Yes	Yes	Yes	
1011	5MVM176DN026			BUSH FEED		1	Yes	Yes	Yes	Yes	
1012	5MVT676DB002			PULLY FEED		1	Yes	Yes	Yes	Yes	
1013	5MVX432DB009			ACTUATOR REGIST		1	Yes	Yes	Yes	Yes	
1014	5MVX542DB003			ACTUATOR PE		1	Yes	Yes	Yes	Yes	
1015	5MMW151LD005			SPRING ACTUATOR REG		1	Yes	Yes	Yes	Yes	
1017	5AAY3010E+17			ROLLER REGIST ASSY		1	No	No	No	No	
1017	5AAYA88E++12			ROLLER REGIST ASSY		1	Yes	Yes	Yes	Yes	
1018	5MVS822KF013			SHEET REGIST		1	No	No	No	No	YC-6046
1118	5MVS722KF008	5MVS622KF012		SHEET REGIST L		1	Yes	Yes	Yes	Yes	YC-6046
1119	5MVS622KF010	5MVS622KF011		SHEET REGIST R		1	Yes	Yes	Yes	Yes	YC-6046
1120	5MVS441KF008			SHEET REGIST SW		1	Yes	Yes	Yes	Yes	YC-6046
1019	5MMX532LD005			CONTACT EARTH REG		1	Yes	Yes	Yes	Yes	
1020	5MMT876SN074			ROLLER TRANSFER		1	Yes	Yes	Yes	Yes	
1023	5MVG127DB048			GEAR TC Z18		1	Yes	Yes	Yes	Yes	
1024	5MMX432LD005			CONTACT TRANSFER		1	Yes	Yes	Yes	Yes	
1025	5MMX331LD003			PLATE EARTH BRUSH		1	Yes	Yes	Yes	Yes	
1026	5AAY3010E+39			MPF ASSY E		1	1	No	No	No	
1026	5AAY3010U+10			MPF ASSY U		1	1	No	No	No	
1026	5AAY1000J+09			MPF ASSY J		1	1	No	No	No	
1026	5AAYA87CH+04			MPF ASSY CHU		1	1	No	Yes	Yes	Yes
1026	5AAYA88E++07			MPF ASSY E		1	1	No	No	No	



## 1000 – 1999 (Sheet 2 of 3)

Ref. No.	Part Number	Alternative	Alternative	Description	ISP	Q'ty	CHP-4150	KMDE	KMA	KMSG	Remarks
1029	5AAY3010E+18			TE SENSOR ASSY	1	1	Yes	Yes	Yes	Yes	
1030	5MMW261LD036			SPRING TE SENSOR		1	Yes	Yes	Yes	Yes	
1031	5MMS775SL001			PLATE CONTROLLER	1	1	Yes	Yes	Yes	Yes	
1032	5MVG148DN045			GEAR Z38H	1	1	Yes	Yes	Yes	Yes	
1033	5MVG148DN046			GEAR FREE Z40H	1	1	Yes	Yes	Yes	Yes	
1034	5MVG138DN041			GEAR FREE Z25S	1	1	Yes	Yes	Yes	Yes	
1035	5MVG148DN047			GEAR Z34S	1	1	Yes	Yes	Yes	Yes	
1036	5MVG148DN048			GEAR Z40S	1	1	Yes	Yes	Yes	Yes	
1037	5MVG148DN049			GEAR Z37S	1	1	Yes	Yes	Yes	Yes	
1038	5MMW271LD010			SPRING FREE	1	1	Yes	Yes	Yes	Yes	
1039	5MMT364SN003			PIN DRIVE	1	3	Yes	Yes	Yes	Yes	
1040	5MVB663SB048			COVER CORD		1	Yes	Yes	Yes	Yes	
1041	5AAVCLTCH015			CLUTCH FEED	1	1	Yes	Yes	Yes	Yes	
1042	5AAVCLTCH016			CLUTCH REGIST	1	1	Yes	Yes	Yes	Yes	
1043	5AAVCLTCH017			CLUTCH MPF	1	1	Yes	Yes	Yes	Yes	
1044	5MVX111DN003			RING STOPPER	1	5	Yes	Yes	Yes	Yes	
1045	5MMX332LD013			PLATE EARTH MPF		1	Yes	Yes	Yes	Yes	
1046	5MVX322SB020			ACTUATOR FUSEE B		1	Yes	Yes	Yes	Yes	
1047	5AAY3010E+35			COVER REAR ASSY	1	1	No	No	No	No	
1047	5AAY3010E+58			COVER REAR ASSY	1	1	Yes	Yes	Yes	Yes	
1048	5AAY3010E+36			ROLLER EXIT UP ASSY	1	1	Yes	Yes	Yes	Yes	
1049	5MVG137DN030			GEAR EXIT Z23 UP	1	1	Yes	Yes	Yes	Yes	
1050	5MVM176DW001			BUSH EXIT		1	Yes	Yes	Yes	Yes	
1051	5MVS228RB019			FOOT		4	Yes	Yes	Yes	Yes	
1052	5EZN2402403+01			FAN MOTOR	1	1	Yes	Yes	Yes	Yes	
1053	5AAXTR052VDA			TRANS ASSY	1	1	Yes	Yes	Yes	Yes	
1059	5MMT876SN073			ROLLER REGIST LOW	1	1	Yes	Yes	Yes	Yes	
1060	5MMT865SN010			ROLLER REGIST UP	1	1	Yes	Yes	Yes	Yes	
1061	5MVX221DB019			BUSH REGIST LEFT	1	1	Yes	Yes	Yes	Yes	
1062	5MVX221DW006			BUSH REGIST RIGHT	1	1	Yes	Yes	Yes	Yes	
1063	5MMW261LD023			SPRING REGIST R	2	1	Yes	Yes	Yes	Yes	
1064	5MVG127DB047			GEAR REGIST Z20	1	1	Yes	Yes	Yes	Yes	
1065	5MVG126DB025			GEAR REGIST Z13	1	1	Yes	Yes	Yes	Yes	
1066	5MVT653DW001			PIN CASSETTE	1	1	Yes	Yes	Yes	Yes	
1067	5MMW341LD005			SPRING PIN CASSETTE	1	1	Yes	Yes	Yes	Yes	
1068	5MMT365SN003			PIN CONTACT BIAS	1	1	Yes	Yes	Yes	Yes	
1069	5MMW361LD015			SPRING PIN BIAS	1	1	Yes	Yes	Yes	Yes	
1074	5MVX866SH012			GUIDE TURN	1	1	Yes	Yes	Yes	Yes	
1075	5AAY3010E+41			SEPARATOR MPF ASSY	1	1	Yes	Yes	Yes	Yes	
1076	5MMW261LD038			SPRING SEPA MPF		1	Yes	Yes	Yes	Yes	
1077	5MVX221DB023			BUSH TC L	1	1	Yes	Yes	Yes	Yes	
1078	5MMW251LD043			SPRING TC L		1	Yes	Yes	Yes	Yes	

1000 – 1999 (Sheet 3 of 3)

Ref. No.	Part Number	Alternative	Alternative	Description	ISP	Q'ty	CHP-4150	KMDE	KMA	KMSG	Remarks
1079	5MVX221DW008			BUSH TC R	1	1	Yes	Yes	Yes	Yes	
1080	5MMW261LD034			SPRING TC R	1		Yes	Yes	Yes	Yes	
1081	5MVB874SH018			COVER REAR	1		Yes	Yes	Yes	Yes	
1082	5MVB874SH019			TRAY EXIT FU	1		Yes	Yes	Yes	Yes	
1085	5MMX332LD021			BKT PULLEY FD	1		Yes	Yes	Yes	Yes	
1086	5MVM273DB005			PULLEY EXIT	1		Yes	Yes	Yes	Yes	
1087	5AAVROLL*045			ROLLER MPF ASSY	1	1	Yes	Yes	Yes	Yes	
1088	5MVX854SH002			HOLDER MP FEED	1		Yes	Yes	Yes	Yes	
1089	5MMT766SN008			SHAFT MPF	1		Yes	Yes	Yes	Yes	
1090	5MVX111DN003			RING STOPPER	3		Yes	Yes	Yes	Yes	
1091	5MVX432DB010			ACTUATOR MPF	1		Yes	Yes	Yes	Yes	
1092	5MVX221DN014			CAM MPF R	1		Yes	Yes	Yes	Yes	
1093	5MVM176DN026			BIJSH FEED	2		Yes	Yes	Yes	Yes	
1094	5ENXGP1A73A**01			SENSOR	1	1	Yes	Yes	Yes	Yes	
1095	5AACCNRM0GEA			CONN. CORD ASSY	1		Yes	Yes	Yes	Yes	
1098	5MVX861SH004			TRAY MPF A	1		Yes	Yes	Yes	Yes	
1099	5MVX751SH001			TRAY MPF B	1		Yes	Yes	Yes	Yes	
1111	5MVM161DW001			BUSH PULLEY FEED	2		Yes	Yes	Yes	Yes	
1A01	5AAY3010E+45			REGIST KIT	1	1	No	No	No	No	
1A02	5AAY3010E+40			BOTTOM MPF ASSY	1		Yes	Yes	Yes	Yes	

2000 – 2999

Ref. No.	Part Number	Alternative	Alternative	Description	ISP	Q'ty	CHP-4150	KMDE	KMA	KMSG	Remarks
2002	5AAPRCZC2011AH			P.W.BOARD ASSY	ENGINE KP-882	1	1	No	Yes	No	Yes
2002	5AAPRCZC2011CH			P.W.BOARD ASSY	ENGINE KP-882	1	1	No	No	Yes	No
2002	5AAPRCZC2011GH	ISPA93CH++03		P.W.BOARD ASSY	ENGINE KP-882	1	1	Yes	No	No	No
2003	5AAPRCZC1009AH			P.W.BOARD ASSY	BIAS KP-884	1		Yes	Yes	Yes	Yes
2009	5AACCNRM1GEA			CONN. CORD ASSY		1		Yes	Yes	Yes	Yes
2016	5AAPRLGC2023AH			P.W.BOARD ASSY	MAIN KP-888	1	1	No	Yes	Yes	Yes
2016	5AAPRLGC2023BH			P.W.BOARD ASSY	MAIN KP-888	1	1	Yes	No	No	No
2017	5MMX773SL001			PLATE SW REG		1		Yes	Yes	Yes	Yes
2018	5MVS765KF001			SHEET SW REG		1		Yes	Yes	Yes	Yes
2019	5AAEA93E++1			SWITCHING REGULATOR(E)	240V	1	1	Yes	Yes	No	Yes
2019	5AAEA93U++1			SWITCHING REGULATOR(U)	120V	1	1	No	No	Yes	No

3000 – 3999 (Sheet 1 of 2)

Ref. No.	Part Number	Alternative	Alternative	Description	ISP	Q'ty	CHP-4150	KMDE	KMA	KMSG	Remarks
3001	5AAXMT061GEA			MOTOR MAIN for 14PPM	1	1	Yes	Yes	Yes	Yes	
3002	5MMX776SL005			PLATE DRIVE	1		Yes	Yes	Yes	Yes	
3003	5MVG168DN017			GEAR Z68H-Z21H	1		Yes	Yes	Yes	Yes	
3004	5MVG159DN012			GEAR Z48H-Z21H	1		Yes	Yes	Yes	Yes	

3000 – 3999 (Sheet 2 of 2)

Ref. No.	Part Number	Alternative	Alternative	Description	ISP	Q'ty	CHP-4150	KMDE	KMA	KMSG	Remarks
3005	5MVG148DN044			GEAR Z40H		1	Yes	Yes	Yes	Yes	
3006	5MVG169DN032			GEAR Z95H-Z21H		1	Yes	Yes	Yes	Yes	
3007	5MVG169DN033			GEAR Z53H		1	Yes	Yes	Yes	Yes	
3008	5MVG138DN042			GEAR Z24H		1	Yes	Yes	Yes	Yes	
3009	5MVG137DN029			GEAR Z21H		1	Yes	Yes	Yes	Yes	
3010	5MVG148DN050			GEAR Z36H-Z21H		1	Yes	Yes	Yes	Yes	
3011	5MMX521LD005			PLATE EARTH DRUM		1	Yes	Yes	Yes	Yes	
3012	5EZSA2402410301			SOLENOID FEED	1	1	Yes	Yes	Yes	Yes	
3013	5EZSA2402410401			SOLENOID REGIST	1	1	Yes	Yes	Yes	Yes	
3014	5EZSA2402410501			SOLENOID MPF	1	1	Yes	Yes	Yes	Yes	

4000 – 4999

Ref. No.	Part Number	Alternative	Alternative	Description	ISP	Q'ty	CHP-4150	KMDE	KMA	KMSG	Remarks
4001	5MVB876CB003			FRAME/MIDDLE		1	Yes	Yes	Yes	Yes	
4002	5MMX875SL005			PLATE ASSY		1	Yes	Yes	Yes	Yes	
4003	5MVQ711GX004			MIRROR KIT		1	Yes	Yes	Yes	Yes	
4005	5MVX721SB004			SHUTTER LSU		1	Yes	Yes	Yes	Yes	
4006	5AAY3010E+26			FULL SENSOR ASSY	1	1	Yes	Yes	Yes	Yes	
4007	5MMX221LD024			SPRING MIRROR		2	Yes	Yes	Yes	Yes	
4009	5MMW341LD006			SPRING SHUTTER LSU		1	Yes	Yes	Yes	Yes	
4010	5MMW261LD040			SPRING FULL SENSOR		1	Yes	Yes	Yes	Yes	
4011	5MVVL661WN34			LABEL LASER CAUTION		1	Yes	Yes	Yes	Yes	
4013	5AAPREL1001AH			P.W.BOARD ASSY	ERASE KP-790	1	Yes	Yes	Yes	Yes	49539
4021	5MVS319RF004			SEAL LSU D		1	Yes	Yes	Yes	Yes	

5000 – 5999

Ref. No.	Part Number	Alternative	Alternative	Description	ISP	Q'ty	CHP-4150	KMDE	KMA	KMSG	Remarks
5019	5MVX331PH001			CAP MCH	1	Yes	Yes	Yes	Yes	Yes	
5034	5MMX632LD006			CONTACT MAIN	1	No	No	No	No	No	
5A01	5AAY3010E+52			BLADE KIT	1	Yes	Yes	Yes	Yes	Yes	
5A02	5AAY3010E+53			COVER DRUM R2 KIT	1	Yes	Yes	Yes	Yes	Yes	
5A03	5AAY3010E+54			COVER DRUM L2 KIT	1	Yes	Yes	Yes	Yes	Yes	

6000 – 6999: Void

7000 – 7999

Ref. No.	Part Number	Alternative	Alternative	Description	ISP	Q'ty	CHP-4150	KMDE	KMA	KMSG	Remarks
7001	5MVX876KB004			FRAME FUSER LOW		1	Yes	Yes	Yes	Yes	
7004	5MMT876SN075			ROLLER PRESS		1	Yes	Yes	Yes	Yes	
7005	5MVX221XN003			BUSH PRESS		2	Yes	Yes	Yes	Yes	
7006	5MMW261LD037			SPRING PRESS		2	Yes	Yes	Yes	Yes	



## 6000 – 6999: Void

## 7000 – 7999

Ref. No.	Part Number	Alternative	Alternative	Description	ISP	Q'ty	CHP-4150	KMDE	KMA	KMSG	Remarks
7007	5MVG127DN070			GEAR IDLE Z18		1	Yes	Yes	Yes	Yes	
7008	5MVG137DN031			GEAR EXIT Z23		1	Yes	Yes	Yes	Yes	
7009	5MMX665LD004			PLATE EARTH FUSER		1	Yes	Yes	Yes	Yes	
7010	5MVX731CB002			ACTUATOR FUSER A		1	Yes	Yes	Yes	Yes	
7011	5MMW261LD017			SPRING ACTUATOR		1	Yes	Yes	Yes	Yes	
7012	5MMT774SN001			ROLLER EXIT LOW		1	Yes	Yes	Yes	Yes	
7013	5MVX211DB016			BUSH EXIT		1	Yes	Yes	Yes	Yes	
7014	5MVVL731WN14			LABEL FUSER CAUTION		1	Yes	Yes	Yes	Yes	
7015	5MVB863KB003			FRAME FUSER UP		1	Yes	Yes	Yes	Yes	
7016	5MMT876AX001			ROLLER HEAT		1	Yes	Yes	Yes	Yes	
7017	5MVM188XN015			BUSH HEAT R		1	Yes	Yes	Yes	Yes	
7018	5MVM188XN016			BUSH HEAT L		1	Yes	Yes	Yes	Yes	
7019	5EZPB2413120101			HEATER LAMP (E)	240V 14PPM	1	1	Yes	Yes	No	Yes
7019	5EZPB1216320101			HEATER LAMP (U)	120V 14PPM	1	1	No	No	Yes	No
7023	5AAXTM014GEA			THERMISTOR ASSY		1	1	Yes	Yes	Yes	Yes
7024	5EYFFQ16001++01			THEMO CUT OUT		1	1	Yes	Yes	Yes	Yes
7025	5AAVSEPR015			SEPARATOR ASSY		4	Yes	Yes	Yes	Yes	B-8652/YC-6067
7026	5MMW261LD055			SPRING SEPARATOR		4	Yes	Yes	Yes	Yes	B-8652/YC-6067
	5MVS222KN006			SHEET REAR		2	Yes	Yes	Yes	Yes	B-8652
	5MVS222KW001			SHEET REAR B		2	Yes	Yes	Yes	Yes	B-8664
7027	5MVG148XN008			GEAR HEAT Z33		1	Yes	Yes	Yes	Yes	
7028	5MVG148XN009			GEAR IDLE Z34		1	Yes	Yes	Yes	Yes	
7029	5MML531RD001	5MML531RD002		HOLDER LAMP A		1	Yes	Yes	Yes	Yes	
7030	5MML211RD002			HOLDER LAMP B		1	Yes	Yes	Yes	Yes	
7031	5MVM273DB005			PULLEY EXIT		2	Yes	Yes	Yes	Yes	
7032	5MMW601LD011			SPRING PULLEY		2	Yes	Yes	Yes	Yes	

## 8000 – 8999 (Sheet 1 of 2)

Ref. No.	Part Number	Alternative	Alternative	Description	ISP	Q'ty	CHP-4150	KMDE	KMA	KMSG	Remarks
8001	5MVB886SH063			BASE CASSETTE		1	Yes	Yes	Yes	Yes	
8004	5MMS856SL001			PLATE BOTTOM		1	Yes	Yes	Yes	Yes	
8005	5MMW552LD002			SPRING CASSETTE		2	Yes	Yes	Yes	Yes	
8006	5MVX765SH002			GUIDE SIDE R		1	Yes	Yes	Yes	Yes	
8007	5MVX765SH003			GUIDE SIDE L		1	Yes	Yes	Yes	Yes	
8008	5MVX664SH003			STOPPER PAPER		1	Yes	Yes	Yes	Yes	
8009	5MVX541DG003			LEVER SIDE		1	Yes	Yes	Yes	Yes	
8010	5MVX541DG002			LEVER REAR		1	Yes	Yes	Yes	Yes	
8011	5MVG127DN071			GEAR CASSETTE		1	Yes	Yes	Yes	Yes	
8015	5MMW251LD047			SPRING SEPARATOR C		1	Yes	Yes	Yes	Yes	
8016	5MVX431DW001			LOCK CASSETTE R		1	Yes	Yes	Yes	Yes	
8017	5MVX431DW002			LOCK CASSETTE L		1	Yes	Yes	Yes	Yes	

8000 – 8999 (Sheet 2 of 2)

Ref. No.	Part Number	Alternative	Alternative	Description	ISP	Q'ty	CHP-4150	KMDE	KMA	KMSG	Remarks
8018	5MMW251LD045			SPRING LOCK		2	Yes	Yes	Yes	Yes	
8019	5MMP141LD003			PLATE STOPPER		1	Yes	Yes	Yes	Yes	
8020	5MMP141LD002			PLATE SIDE GUIDE		1	Yes	Yes	Yes	Yes	
8021	5MMW171LD006			SPRING STOPPER		1	Yes	Yes	Yes	Yes	
8A01	5AAVB0T0M009	5AAY3010E+49		BOTTOM CASSETTE KIT		1	Yes	Yes	Yes	Yes	
8A02	5AAVSEPR013	5AAY3010E+50		SEPARATOR KIT FOR PC-40		1	Yes	No	No	No	
8A02	5AAVSEPR016			SEPARATOR KIT FOR PC-42		1	Yes	Yes	Yes	Yes	

Accessories and Packing Matters

Ref. No.	Part Number	Alternative	Alternative	Description	ISP	Q'ty	CHP-4150	KMDE	KMA	KMSG	Remarks
A-002	5AACAC428EEA	5AACAC470EEA	5AACAC479EEA	AC CORD ASSY		1	Yes	Yes	No	No	
A-002	5AACAC458BSA	5AACAC480BSA		AC CORD ASSY		1	No	No	No	Yes	KMUK, KMSG, KMHG ONLY
A-002	5AACAC404ASA	5AACAC481ASA		AC CORD ASSY		1	No	No	No	No	KMAUS ONLY
A-002	5AACAC393ULA	5AACAC482ULA		AC CORD ASSY		1	No	No	Yes	No	
A-002	5AACAC444JAA	5AACAC483JAA		AC CORD ASSY		1	No	No	No	No	
A-003	5AAMDK5P**01			CLEANING KIT C		1	Yes	Yes	Yes	Yes	
P-001	5AAKA93E++02			PACKING ASSY		1	No	Yes	No	Yes	
P-001	5AAKA93U++02			PACKING ASSY		1	No	No	Yes	No	
P-001	5AAKA94CH+01	ISPA93CH++01		PACKING ASSY		1	Yes	No	No	No	
P-002	5KKSA93E++01			OUTER CARTON		1	No	Yes	No	Yes	
P-002	5KKSA93U++01			OUTER CARTON		1	No	No	Yes	No	
P-002	5KKSA94CH+01	ISPA93CH++02		OUTER CARTON		1	Yes	No	No	No	

Firmware DIMM (Empty)

Ref. No.	Part Number	Alternative	Alternative	Description	ISP	Q'ty	CHP-4150	KMDE	KMA	KMSG	Remarks
PWBA/D	5AAPRMEG4023PQ	5AAPRMEG4023KQ		P.W.B. ASSY KP-893 FLASH DIMM		1	Yes	Yes	Yes	Yes	

www.drukparts.pl