

HP LJ 1018

Maior components

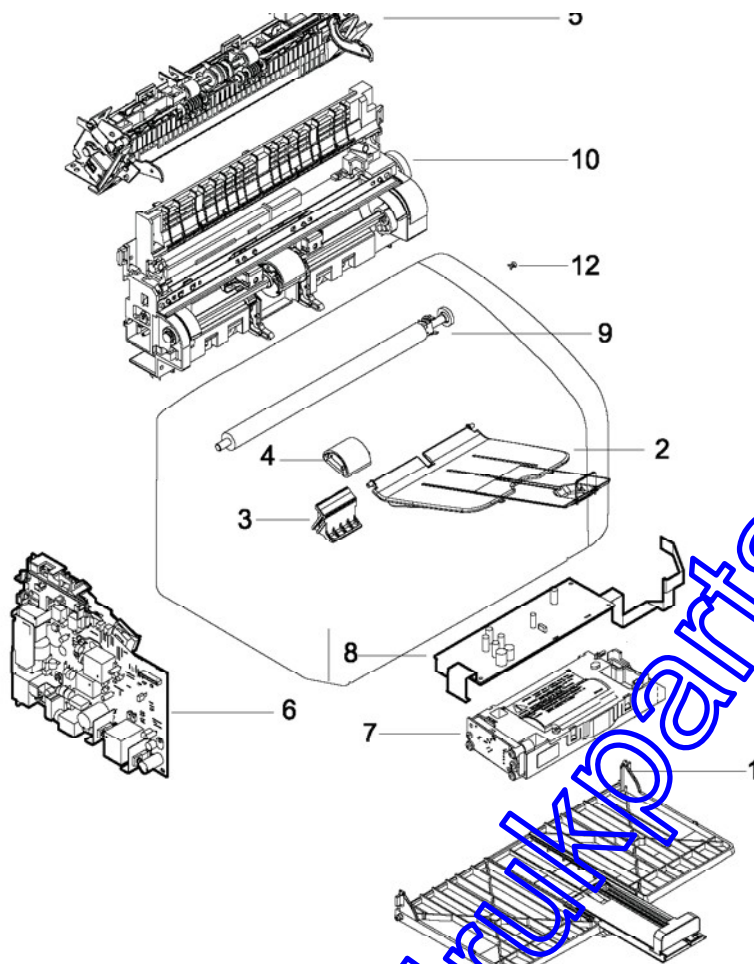


Figure 7-2 Major components (HP LJ 1018 series shown)

www.drukparts.pl

Table 7-4 Major components

Ref	Description	Part number	Qty
1	Paper pickup tray assembly	RM1-2079-000CN	1
2	Delivery tray assembly	RM1-0659-000CN	1
3	Separation pad assembly	RM1-0648-000CN	1
4	Roller, pickup	RL1-0266-000CN	1
5	Fuser (fixing assembly) 110V to 127V	RM1-2086-000CN	1
5	Fuser (fixing assembly) 220V to 240V	RM1-2087-000CN	1
6	Engine power supply 110V to 127V	RM1-2315-000CN	1
6	Engine power supply 220V to 240V	RM1-2316-000CN	1
7	Laser/scanner assembly	RM1-2084-000CN	1
8	Engine control assembly	RM1-2314-000CN	1
9	Transfer roller assembly	RM1-2093-000CN	1
10	Paper pickup assembly	RM1-2091-000CN	1
12	Door Link Clip (Stopper)	RM1-1957-000CN	1

www.drukparts.nl

Alphabetical parts list

Table 7-5 Alphabetical parts list

Description	Part number	Table and page
Delivery tray assembly	RM1-0659-000CN	Major components on page 123
Door Link Clip (Stopper)	RM1-1957-000CN	Major components on page 123
Engine control assembly	RM1-2314-000CN	Major components on page 123
Engine power supply 110V to 127V	RM1-2315-000CN	Major components on page 123
Engine power supply 220V to 240V	RM1-2316-000CN	Major components on page 123
Fuser (fixing assembly) 110V to 127V	RM1-2086-000CN	Major components on page 123
Fuser (fixing assembly) 220V to 240V	RM1-2087-000CN	Major components on page 123
HP LJ 1018-110V printer (exchange engine with formatter)	CB419-69056	Printer exchange/parts on page 120
HP LJ 1018-110V printer (replacement)	CB419-60056	Printer exchange/parts on page 120
HP LJ 1018-220V printer (exchange engine with formatter)	CB419-69055	Printer exchange/parts on page 120
HP LJ 1018-220V printer (replacement)	CB419-60055	Printer exchange/parts on page 120
HP LJ 1018-110V printer (exchange engine without formatter)	CB419-67001	Printer exchange/parts on page 120
HP LJ 1018-220V printer (exchange engine without formatter)	CB419-67002	Printer exchange/parts on page 120
HP LJ 1018 formatter	CB440-60001	Printer exchange/parts on page 120
Laser/scanner assembly	RM1-2084-000CN	Major components on page 123
Nameplate HP LJ	CB419-00002	Printer exchange/parts on page 120
Paper pickup assembly	RM1-2091-000CN	Major components on page 123
Paper pickup tray assembly	RM1-2079-000CN	Major components on page 123
Roller, pickup	RL1-0266-000CN	Major components on page 123

Table 7-5 Alphabetical parts list (continued)

Description	Part number	Table and page
Separation pad assembly	RM1-0648-000CN	Major components on page 123
Transfer roller assembly	RM1-2093-000CN	Major components on page 123

www.drukparts.pl

Numerical parts list

Table 7-6 Numerical parts list

Part number	Description	Table and page
CB419-60055	HP LJ 1018-220V printer (replacement)	Printer exchange/parts on page 120
CB419-60056	HP LJ 1018-110V printer (replacement)	Printer exchange/parts on page 120
CB419-69055	HP LJ 1018-220V printer (exchange engine with formatter)	Printer exchange/parts on page 120
CB419-69056	HP LJ 1018-110V printer (exchange engine with formatter)	Printer exchange/parts on page 120
CB419-00002	Nameplate HP LJ	Printer exchange/parts on page 120
CB419-67001	HP LJ 1018-110V printer (exchange engine without formatter)	Printer exchange/parts on page 120
CB419-67002	HP LJ 1018-220V printer (exchange engine without formatter)	Printer exchange/parts on page 120
CB440-60001	HP LJ 1018 formatter	Printer exchange/parts on page 120
RL1-0266-000CN	Roller, pickup	Major components on page 123
RM1-0648-000CN	Separation pad assembly	Major components on page 123
RM1-0659-000CN	Delivery tray assembly	Major components on page 123
RM1-2079-000CN	Paper pickup tray assembly	Major components on page 123
RM1-2084-000CN	Laser/scanner assembly	Major components on page 123
RM1-2086-000CN	Fuser (fixing assembly) 110V to 127V	Major components on page 123
RM1-2087-000CN	Fuser (fixing assembly) 220V to 240V	Major components on page 123
RM1-2091-000CN	Paper pickup assembly	Major components on page 123
RM1-2093-000CN	Transfer roller assembly	Major components on page 123
RM1-2314-000CN	Engine control assembly	Major components on page 123
RM1-2315-000CN	Engine power supply 110V to 127V	Major components on page 123

Table 7-6 Numerical parts list (continued)

Part number	Description	Table and page
RM1-2316-000CN	Engine power supply 220V to 240V	Major components on page 123
RM1-1957-000CN	Door Link Clip (Stopper)	Major components on page 123

www.drukparts.pl