



7-bin Table Top Mailbox

Arm

RA2-2484-000CN Bin full sensor arm

Bin

C4783-69502 Face down bin assembly - One roller

RG1-3836-000CN *New Part for C4783-69502*

RG1-3837-000CN Face down bin assembly - Two rollers

Bushing

RA2-2505-000CN Output bin roller bushing

Cover

RA2-2531-000CN Release latch handle cover

RF1-4004-000CN Front cover - Cover with release latch handle

RF1-4008-000CN Back cover

RG1-3838-000CN Top cover assembly

RG1-3840-000CN Right cover

Diverter

RG1-3844-000CN Diverter assembly - Flipper

Flag

RA2-2485-000CN Sensor flag - Optical sensor for bin full sensor

Handle

RA2-2512-000CN Release handle - Latch lever handle

Mailbox

C4783-60101 7-bin table top mailbox - Whole unit

Motor

RF1-4003-000CN Reversing mechanism motor

PC Board

RG1-3814-000CN Bin full and interlock sensor board

RG1-3815-000CN Sensor PCA - Empty bin sensor board

RG1-3816-000CN Face-up bin full & sensor PCA

RG1-3817-000CN LED PCA - Status panel LED display board

RG1-3853-060CN Controller board - 7-bin tabletop mailbox controller PCA

Pin

RA2-2439-000CN Positioning pin

Plate

RA2-2500-000CN Support plate - Supports empty bin sensor PCA

RA2-2527-000CN Stopper plate - Limits travel of right cover

RA2-2541-000CN Motor cover - Reversing mechanism motor cover plate

RF1-4005-000CN Latch plate

Power Supply

RH3-2205-000CN Power supply PCA for 7-bin tabletop mailbox power supply

Solenoid

RF1-3998-000CN Flipper solenoid

RH7-5223-000CN Reversing mechanism solenoid

www.drukparts.pl



7-bin Table Top Mailbox

Spring

RA2-2513-000CN Tension spring - Provides tension for latch handle

Tray

29 RA2-2408-000CN Bottom bin tray

30 RA2-2487-000CN Reversing output tray (Face-up)

Accessories

Cleaning Supplies

5090-3379 Toner cleaning cloth - Specially treated cloth for absorbing toner (1 per package) - Ideal for cleaning up toner spills

Drive

C2985-61021 20GB hard drive (LaserJet) - LaserJet EIO font/print job storage - Used as replacement for 2.1GB and 3.2GB drives when used in a LaserJet

IR Assembly

C4103A HP FIR pod - Fast Infrared Connection pod

Kit

C4265-67905 Paper Input Unit Maintenance Kit - Contains second pass roller, four spring rollers and instruction sheet - For Tray 3 PIU

Roller Kit

H3977-60001 Paper path roller kit - Contains four feed/separation rollers and 2 pickup rollers used in Paper Input Assembly - Also has MP/Tray1 pickup roller - Procedure requires service manual

C4780A Input Tray Parts

Cable

36 RG5-3909-000CN Power supply cable - Between power supply and controller PCA

Caster

37 XZ9-0442-000CN Caster wheel

Cover

38 RB2-3666-000CN Right side cabinet cover

39 RB2-3668-000CN Paper storage tray front cover

40 RB2-3675-000CN Back cover

41 RF5-2762-000CN Front top cover

42 RF5-2764-000CN Left cover

43 RF5-2766-000CN Paper tray top cover - Includes label

Drive Assembly

44 RG5-4416-000CN Paper deck drive assembly - Gear assembly that lifts the paper plate to the pickup roller

Feed Assembly

45 C4780-69503 Paper feed assembly - Vertical transfer unit - Transfers paper from pickup assembly up to the printer input
REQUIRES RETURN OF DEFECTIVE PART

RG5-4403-000CN *New Part for C4780-69503*

Foot

46 RG5-4203-000CN Outrigger adjustable foot - Adjusts up and down

47 RG5-4205-000CN Cabinet stabilizer (outrigger) - With adjustable foot

Fuse

48 VD7-1893-151CN Power supply fuse, 250V max

Labels

49 RB2-5342-000CN 2000 sheet paper tray cassette size label



C4780A Input Tray Parts

Latch

50 XZ9-0379-000CN Door latch insert (Black)

Module

C4781-60500 AC power box - Holds AC recptacle, fuse holder, and four cable connections - Includes mounting clips

PC Board

- 52 RB2-3667-000CN Holder size PCA
- 53 RG5-1845-000CN Paper size sensor board - Used to sense paper size in upper and lower paper trays
- 54 RG5-4441-000CN Front LED PCA - LED status display board
- 55 RG5-4442-000CN Controller PCA - 2 x 500-SHEET input tray controller PCA

Pickup Assembly

- 56 C4780-69505 Paper pickup
REQUIRES RETURN OF DEFECTIVE PART
- RG5-4410-090CN *New Part for C4780-69505*

Pin

57 RF5-2556-000CN Positioning pin - Metal locating pins - Set of 3

Plate

58 RB1-6894-000CN Paper cassette size plate - Self adhesive label NOT included

Power Cord

- C4781-60501 'Daisy chain' power cord - Has C13 (F) connector and C14 (M) connector - 250V, 10A - 71.5cm (28.1 inches) long
- C4781-60502 'Daisy chain' power cord - 18 AWG, 2.6m (8.4ft) long - Has C14 (M) plug for power input and C13 (F) plug for power output - 250V, 10A

Power Supply

61 RG5-4021-000CN Universal power supply

Roller

- 62 RF5-1834-000CN Feed/separation roller - Has a blue gear on one end and blue release tab on the other - Mounts in the paper input unit assembly (4 used)
- 63 RF5-2708-000CN Pickup roller - Used in paper pickup assembly, 2 used

Spacer

64 RB2-3705-000CN Latch spacer - Black plastic piece that latch engages

Tray

- 65 R98-1006-000CN Tray 5 assembly - Complete tray with identification label
- 66 R98-1007-000CN Tray 4 assembly - Complete tray with identification label
- 67 RB2-3669-000CN Paper storage tray - Stores up to twenty pounds of paper

C4781A Input Tray Parts

Bushing

68 RS5-1399-000CN Drive bushing - Paper deck drive assembly bushing

Cable

- 69 RG5-3909-000CN Power supply cable - Between power supply and controller PCA
- 70 RG5-3919-000CN Main cable - Largest cable in C4781A

Caster

71 XZ9-0442-000CN Caster wheel

Cover

- 72 RB1-7832-020CN 2000 sheet paper tray right side cover
- RB2-2509-000CN Clutch cover for 2000 sheet input tray
- 74 RB2-2519-000CN Back cover - Protects back of tray assembly



C4781A Input Tray Parts

Cover

- 75 RF5-2568-000CN Front cover - Contains LED status display window
- 76 RF5-2644-000CN Paper tray top cover - Includes label
- 77 RF5-2646-000CN Left cover

Drive Assembly

- 78 RG5-3851-000CN Paper deck drive assembly - Gear assembly that lifts the paper plate to the pickup roller

Feed Assembly

- 79 C4781-69510 Paper feed assembly - Vertical transfer unit - Transfers paper from pickup assembly up to the printer input
REQUIRES RETURN OF DEFECTIVE PART
- RG5-3854-000CN *New Part for C4781-69510*

Foot

- 80 RG5-3853-000CN Adjustable foot - Threaded attachment for leveling
- 81 RG5-4205-000CN Cabinet stabilizer (outrigger) - With adjustable foot

Fuse

- 82 VD7-1893-151CN Power supply fuse, 250V max

Labels

- 83 RB2-5342-000CN 2000 sheet paper tray cassette size label

Lock

- RB1-7746-000CN Tray shipping lock clip - Secures paper tray during shipping

Module

- C4781-60500 AC power box - Holds AC receptacle, fuse holder, and four cable connections - Includes mounting clips

PC Board

- 86 RG5-2166-000CN Sensor PCA - Paper quantity sensor PCA
- 87 RG5-2168-000CN Sensor PCA - Paper size sensor PCA
- 88 RG5-3908-000CN Paper deck PCA - Input tray controller PCA

Pickup Assembly

- 89 C4781-69505 2000 sheet paper tray paper pickup assembly - Not compatible with C3763A and C3773A Input Tray
REQUIRES RETURN OF DEFECTIVE PART
- RG5-3843-000CN *New Part for C4781-69505*
- RG5-3843-000CN 2000 sheet paper tray paper pickup assembly - Not compatible with C3763A and C3773A Input Tray

Pin

- 91 RF5-2556-000CN Positioning pin - Metal bearing pins - Set of 3

Plate

- 92 RB1-6894-000CN Paper cassette size plate - Self adhesive label NOT included
- 93 RG5-3849-000CN Middle paper limit plate
- 94 RG5-3850-000CN Front paper reference plate - Front paper limit plate for 2000 sheet feeder
- 95 RG5-4201-000CN Rear paper limit plate - Back paper limit plate for 2000 sheet feeder

Power Cord

- C4781-60501 'Daisy chain' power cord - Has C13 (F) connector and C14 (M) connector - 250V, 10A - 71.5cm (28.1 inches) long
- C4781-60502 'Daisy chain' power cord - 18 AWG, 2.6m (8.4ft) long - Has C14 (M) plug for power input and C13 (F) plug for power output - 250V, 10A

Power Supply

- 98 RG5-4021-000CN Universal power supply



C4781A Input Tray Parts

Roller

- 99 RF5-1834-000CN Feed/separation roller - Has a blue gear on one end and blue release tab on the other - Mounts in the paper input unit assembly (4 used)
- 100 RF5-1835-000CN Pickup roller assembly - Has attached black plastic gear - Mounts in the 2000 sheet paper tray

Spring

- 101 RB1-7835-000CN Leaf spring - Retaining spring
- 102 RS5-2561-000CN Tension spring

Status Panel

- 103 RG5-4204-000CN LED display - Status display with holder and cable

Tab

- 104 RB1-7677-000CN Retainer tab

Tray

- 105 C4781-69506 2000 sheet paper tray (Tray 4) - Paper holder cassette ONLY
REQUIRES RETURN OF DEFECTIVE PART
- RG5-3845-000CN *New Part for C4781-69506*

C4782A Duplexer Parts

Duplexer

- C4782-69501 Duplexer assembly - For 2 sided printing capability
REQUIRES RETURN OF DEFECTIVE PART
- C4782-60501 *New Part for C4782-69501*
- C4782A Auto duplexer assembly - Provides double sided printing capability on laserJets 8100, 8500, 8000, and 5Si

Electronic Accessories

Cable (Interface)

- 5063-1254 IEEE-1284 Bi-Tronics parallel cable - DB-25 (M) connector (type A) to 36 pin high density IEEE-1284C (M) connector (type C) - 3.0m (9.8ft) long
- 5063-1255 IEEE-1284 Bi-Tronics parallel cable - DB-25 (M) connector (type A) to 36 pin high density IEEE-1284C (M) connector (type C) - 10m (33ft) long
- 92215N Interface cable kit - For HP peripherals designed for use in an AppleTalk/Phonenet network - Not for Macintosh models that have recessed I/O connectors
- 92215S RS-422 serial cable - 8 pin (M) to 8 pin (M) - 2.0m (6.6ft) long - For connecting Apple Macintosh with LocalTalk/serial connector
- C2946A IEEE-1284 Bi-Tronics parallel cable - DB-25 (M) connector (type A) to 36 pin high density IEEE-1284C (M) connector (type C) - 3.0m (9.8ft) long
- C2947A IEEE-1284 Bi-Tronics parallel cable - DB-25 (M) connector (type A) to 36 pin high density IEEE-1284C (M) connector (type C) - 10m (33ft) long

Interface (Product)

- J6057A JetDirect 615N internal print server (10Base-T and 100Base-TX) LAN interface board - Plugs into peripheral EIO slot - Has a RJ-45 connector - Comes with software on CD-ROM and manual
- J6057AR JetDirect 615N internal print server (10Base-T and 100Base-TX) LAN interface board - Plugs into peripheral EIO slot - Has a RJ-45 connector - Comes with software on CD-ROM and manual

Memory (DIMM)

- C7842-67901 8MB, 100-pin SDRAM DIMM memory module
- C7843-67901 16MB, 100-pin SDRAM DIMM memory module
- C7845-67901 32MB, 100-pin SDRAM DIMM memory module
- C7846-67901 64MB SDRAM - 100MHz synchronous DRAM - DIMM package
- Q1887-67901 *New Part for C7846-67901*



Electronic Accessories

Memory (Product)

C4135A	4MB, 100-pin, 32-bit, 60nS, EDO DRAM DIMM memory module
C4136A	8MB, 100-pin, 32-bit, 60nS, EDO DRAM DIMM memory module
C4137A	16MB, 100-pin, 32-bit, 60nS, EDO DRAM DIMM memory module
C4140A	4MB, 100-pin SDRAM DIMM memory module NO LONGER SUPPLIED
C7842A	<i>New Part for C4140A</i>
C4286A	2MB flash DIMM memory - Font storage device
C4292A	8MB Traditional Chinese MROM DIMM - For LaserJet 4000 and 5100 series printers
C4293A	8MB Simplified Chinese MROM DIMM - For LaserJet 4000 and 5100 series printers
C7842A	8MB, 100-pin SDRAM DIMM memory module
C7843A	16MB, 100-pin SDRAM DIMM memory module
C7845A	32MB, 100-pin SDRAM DIMM memory module
Q1887A	64MB, 100-pin synchronous SDRAM DIMM memory module

Electronics/Power Supply

Power Cord

8120-6798	Power cord (Flint Gray) - 18 AWG, 2.3m (7.5ft) long - Has straight (F) receptacle (For 100V in Japan)
8120-6800	Power cord (Flint Gray) - 16 AWG, 2.3m (7.5ft) long - Has straight (F) receptacle (For 240V in Israel)
8120-6809	Power cord (Dove Gray) - 2.3m (7.5ft) long - Has straight (F) receptacle (For 240V operation in the United Kingdom, Hong Kong, Singapore, Malaysia)
8120-6810	Power cord (Flint Gray) - 2.3m (7.5ft) long - Has straight (F) receptacle (For 240V operation in Australia, New Zealand)
8120-6811	Power cord (Flint Gray) - 17 AWG, 2.3m (7.5ft) long - Has straight (F) receptacle (For 220V in Europe, Saudi Arabia, South Africa, India, and Korea)
8120-6812	Power cord (Flint Gray) - 18 AWG, 2.3m (7.5ft) long - Has straight (F) receptacle (For 120V in the USA, Canada, Mexico, Philippines, and Taiwan)
8120-6813	Power cord (Flint Gray) - 17 AWG, 2.3m (7.5ft) long - Has straight (F) receptacle (For 220V in South Africa, Saudi Arabia, and India)
8120-6815	Power cord (Flint Gray) - 17 AWG, 2.3m (7.5ft) long - Has straight (F) receptacle (For 220V in Switzerland)

External Case Parts

Clip

139	RB2-3636-000CN	Tray lock clip - At rear of top output tray
-----	----------------	---

Control Panel

140	RG5-5268-000CN	Control panel - Includes display
-----	----------------	----------------------------------

Cover

5021-0349	EIO slot cover	
142	RB1-6480-000CN	Lower left cover
143	RB1-6489-000CN	AC access cover - Has cut out for A/C power cord connection
144	RB1-6492-000CN	Power switch cover - Has cutout for power switch
145	RB2-3642-000CN	Right rear cover
146	RF5-1402-000CN	Rear cover - Sheet metal
147	RG5-4360-000CN	Top cover assembly - Does NOT include face up tray or control panel display
148	RG5-4362-000CN	Front cover

Door

149	RB2-3558-000CN	Diverter door assembly - Upper door on left side of printer - Two struts are mounted to door
150	RB2-3626-000CN	Front access door - Duplexer jam removal access door
151	RG5-1915-040CN	Right door assembly - Door below paper tray 1 - Support strap attached to right side



External Case Parts

Foot

152 RB1-6421-000CN Chassis foot

Guard

153 RB2-3641-000CN Hinge plate - Bottom half of top cover hinge

Label

154 RS5-8676-000CN Operation label

Overlay

C4214-40029 LaserJet 8100 control panel overlay (English)

C4214-40031 LaserJet 8100 control panel overlay (Italian)

C4214-40042 LaserJet 8100 control panel overlay (Spanish)

Spring

158 RB1-6493-000CN Compression spring - Center support for left output bin

159 RB1-6509-000CN Torsion spring - Helps support left output bin tray

Strap

160 RB1-6484-000CN Support strap - Supports door when open

Support

161 RF5-2701-060CN Access door struts - Attached to each side of diverter door assembly

Tray

162 RB1-6490-000CN Face-down output tray - At top of printer

163 RB1-6491-000CN Face-up output tray - At upper left side

164 RG5-4329-000CN Multi-Purpose paper input tray (Tray 1) - Includes pull out extender tray

Feeder Assembly Parts

Arm

165 RB1-6417-000CN Registration paper sensor arm - Senses paper in registration assembly

Cable

166 RG5-1843-000CN Paper sensor cable - J11 to J15

Spring

167 RB1-6409-000CN Sensor arm spring - Holds tension on paper feeder sensor arm

RS6-2072-000CN Compression spring - Holds tension on front support block

169 RS6-2073-000CN Compression spring - Holds tension on rear support block

Support

170 RB2-3503-000CN Shaft holding block - Front registration roller support

171 RB2-3504-000CN Shaft holding block - Rear registration roller support

Fusing Assembly Parts

Fusing Assembly

172 C4214-69018 Fusing assembly (For 100V to 120V operation) - Bonds toner to paper with heat
REQUIRES RETURN OF DEFECTIVE PART

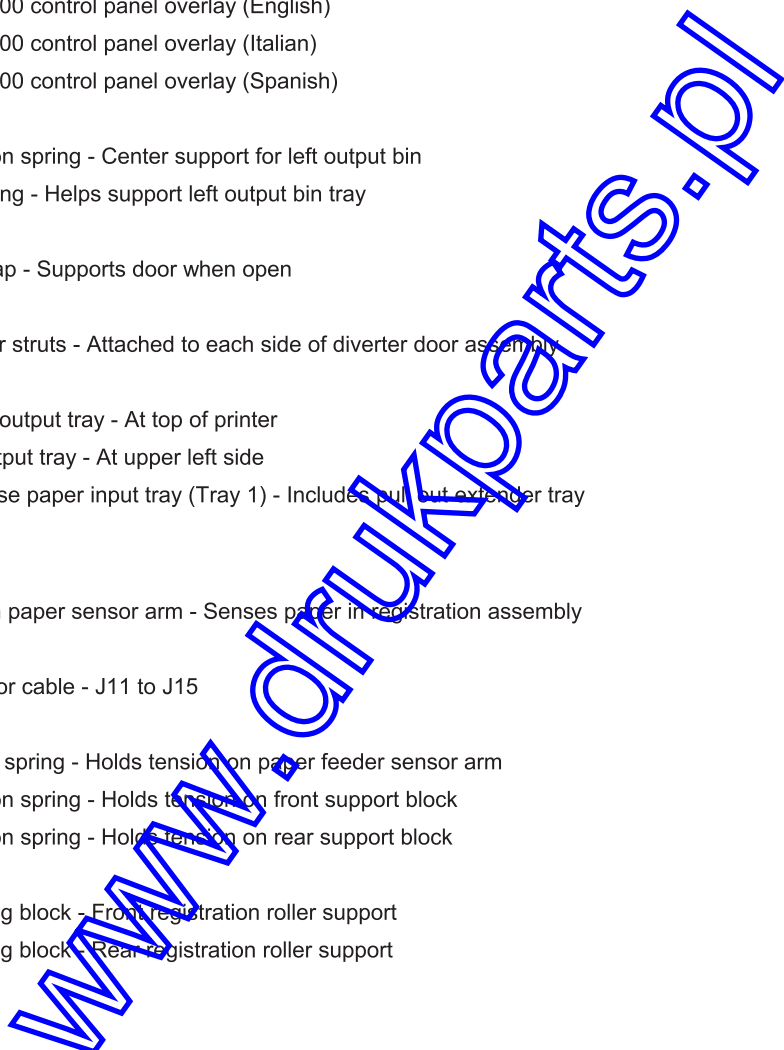
RG5-6532-000CN *New Part for C4214-69018*

173 C4214-69019 Fusing assembly (For 220V to 240V operation) - Bonds toner to paper with heat
REQUIRES RETURN OF DEFECTIVE PART

RG5-6533-000CN *New Part for C4214-69019*

Heater

RH7-4126-000CN Heater element for fusing assembly - 120V





Fusing Assembly Parts

Lock

- RB1-6615-020CN Right fusing assembly lock - Locks fuser in place
- RB1-6616-020CN Left fusing assembly lock - Locks fuser in place

Roller

- RB2-3562-000CN Fuser pressure roller - Roller that provides pressure against heating roller in fuser assembly

Interface Board Parts

PC Board (Interface)

- J3110-69001 JetDirect 600N EIO internal print server 10Base-T LAN interface board - Has one RJ-45 connector - (J3110A) - NOTE: EIO Interface Boards are NOT Interchangeable with MIO Boards
- J6057-69001 *New Part for J3110-69001*
- J3111-69001 JetDirect 600N EIO internal print server 10Base-T, 10BASE-2, and LocalTalk LAN interface board - Has one RJ-45, BNC, and 8-pin DIN connector - (J3111A) - NOTE: EIO interface boards are NOT interchangeable with MIO boards REQUIRES RETURN OF DEFECTIVE PART
- J3111-61001 *New Part for J3111-69001*

Labels and Transparencies

Film (Transparency)

- 92296U LaserJet printer transparency film - A4 size (21.0cm x 29.7cm) - 50 sheets per box
- 92296T LaserJet printer transparency film - A size (8.5 x 11-inches) - 50 sheets per box

Labels

- 92296A LaserJet printer addressing labels - 2.54cm (1.00in) x 6.67cm (2.63in) labels - 30 per sheet - 100 sheets per box NO LONGER SUPPLIED
- 92296B LaserJet printer addressing labels - 3.38cm (1.33in) x 10.2cm (4.00in) labels - 14 per sheet - 100 sheets per box NO LONGER SUPPLIED
- 92296C LaserJet printer addressing labels - 2.54cm (1.00in) x 10.2cm (4.00in) labels - 20 per sheet - 100 sheets per box NO LONGER SUPPLIED
- 92296D LaserJet printer addressing/shipping labels - 5.08cm (2.00in) x 10.2cm (4.00in) labels - 10 per sheet - 100 sheets per box NO LONGER SUPPLIED
- 92296E LaserJet printer shipping labels - 8.47cm (3.33in) x 10.2cm (4.00in) labels - Six per sheet - 100 sheets per box NO LONGER SUPPLIED
- 92296F LaserJet printer return address labels - 4.27cm (0.50in) x 4.45cm (1.75in) labels - 80 per sheet - 25 sheets per box NO LONGER SUPPLIED
- 92296G LaserJet printer file folder labels - 1.69cm (0.67in) x 8.73cm (3.44in) labels - 30 per sheet - 25 sheets per box NO LONGER SUPPLIED
- 92296H LaserJet printer labels for 3.5-inch diskettes - 7.00cm (2.75in) x 7.00cm (2.75in) labels - Nine per sheet - 70 sheets per box NO LONGER SUPPLIED
- 92296J LaserJet printer labels for 5.25-inch diskettes - 3.81cm (1.50in) x 10.2cm (4.00in) labels - 12 per sheet - 70 sheets per box NO LONGER SUPPLIED
- 92296K LaserJet printer full sheet label - A size (8.5 x 11-inches) label - One per sheet - 100 sheets per box NO LONGER SUPPLIED

Logic/Control Electronics

Cable

- 192 RG5-4386-000CN Cable assembly - From DC controller board to main motor

Drive (Product)

- C2985A 2.1GB hard drive - LaserJet EIO font/print job storage NO LONGER SUPPLIED
- C2985B *New Part for C2985A*
- C2985B 3.2GB hard drive - DesignJet or LaserJet EIO font/print job storage



Logic/Control Electronics

Firmware

C4214-60009 Firmware ROM

PC Board

C4107-69001 Formatter board - Main logic PCA
REQUIRES RETURN OF DEFECTIVE PART

C4107-67901 *New Part for C4107-69001*

197 C4214-69009 DC controller board assembly
REQUIRES RETURN OF DEFECTIVE PART

RG5-4375-030CN *New Part for C4214-69009*

198 RG5-1846-000CN Switch/sensor board - Includes face down tray sensors, fusing delivery sensor and door switch

199 RG5-1860-000CN Paper pickup board - Includes 8 photosensors

200 RG5-1884-000CN Multipurpose paper tray board - Includes paper sensors PS1301 and PS1302

Power Cord

RH2-5263-000CN Power cord (Gray) - 14 AWG, 2.3m (7.5ft) long - Has straight (F) receptacle (For 120V in the USA and Canada)

Mailbox Components

Bin

202 C3764-60505 Face up output bin - Top bin on multi-bin mailbox

203 C4785-60502 Single paper output bin - For the multi-bin mailbox assembly

Cable

204 C4787-60507 Stapler unit C-link cable - Has two high density 15 pin (M) connectors - 91.4cm (36 inches) long

Caster

205 C4785-60510 Fixed caster - Non-adjustable height caster

206 C4785-60511 Fixed caster - Adjustable height caster

Clip

207 C4785-60512 Multibin mailbox attachment clip

Cover

208 C3764-60555 Top cover

209 C4785-60503 Blind cover - Covers space trays and face-up bin - Home position cover for head assembly

210 C4785-60504 Front cover - Front side cover

211 C4785-60505 Side cover - Back side cover

Extension

C4785-60531 C-link cable adapter extension - Used when no input device is used with 8-bin or 5-bin mailbox

Flipper

213 C4785-60540 Flipper assembly (with cable) - Moves paper from printer to face down mailbox tray or the face up bin on top - Includes firmware chip

Guide

214 C3764-60561 Paper input guide - Mounted in top of multi-bin mailbox

Head Assembly

215 C4785-60523 Head assembly - Moves paper up and down the mailbox to the correct mailbox bin

Kit

C4785-60513 Repackaging kit

217 C4785-60516 Attachment kit - Attachment rod, bracket and cables

218 C4785-60519 Plastic parts kit - Contains paper anticurl spring/strings, small bottom pulley, flat cable holder, edge and gasket

219 C4785-60520 Cable kit - Includes interlock switch, head motor cable, flipper sensor, encoder, motor controller cables, ESD cable, and delivery head assembly flat cable



Mailbox Components

LED

220 C4785-60515 Status LED display - With cable

Lock

C4787-60503 Shipping lock kit - For 8-bin and 5-bin mailboxes

Mailbox

222 C4787-69506 5-bin mailbox - Used when stapler option is present
REQUIRES RETURN OF DEFECTIVE PART

C4787-60510 *New Part for C4787-69506*

Motor

C3764-60507 Elevator stepper motor

224 C4785-60518 Transport belt motor - Includes fan

PC Board

225 C4785-60514 Diagnostic LED display board - With cable

C4785-60539 Mailbox controller PCA

Stapling Unit

227 C4787-69513 Stapling unit - Includes top cover, bed assembly, and board
REQUIRES RETURN OF DEFECTIVE PART

C4787-60513 *New Part for C4787-69513*

Tape

228 C4785-60507 Metallic tape and housing assembly - Narrow tape version used with the double belt transport belt system

229 C4785-60524 Metallic tape and housing assembly - Wide tape version used with the single belt transport belt system

Optional Interfaces

Interface (Product)

J3110A Ethernet 10Base-T (RJ-45) EIO network internal print server PC board

J3111A Ethernet 10Base-T/10Base2 and LocalTalk (RJ-45, BNC, LocalTalk) EIO network PCA

J3112A JetDirect 600N token ring LAN interface board - DB-9 and RJ-45 connectors
NO LONGER SUPPLIED

J3113A JetDirect 600N internal print server (10Base-T and 100Base-TX) LAN interface board - Plugs into peripheral EIO slot

J4135A JetDirect connectivity card - Has one USB port, one serial (DB9) port and one LocalTalk port - Plugs in the EIO slot on selected DesignJet and LaserJet printers

J4167A JetDirect 610N token ring LAN interface board - DB-9 and RJ-45 connectors

J4169A JetDirect 610N internal print server (10Base-T and 100Base-TX) LAN interface board - Plugs into peripheral EIO slot - Has a RJ-45 connector - Comes with software on CD-ROM and manual

PC Board (Interface)

J3112-69001 JetDirect 600N EIO internal print server token ring LAN interface board - Has one RJ-45 and DB-9 connector

J4167-69001 *New Part for J3112-69001*

J3113-69001 JetDirect 600N EIO internal print server 10Base-T and 100Base-TX LAN interface board - Has one RJ-45 connector

J4135-61001 JetDirect connectivity card - Has one USB port, one serial (DB9) port and one LocalTalk port

Optional Paper Trays

Envelope Feeder

C3765-69501 Replacement optional envelope feeder - Holds 100 envelopes
REQUIRES RETURN OF DEFECTIVE PART

C3765-60501 *New Part for C3765-69501*

C3765B Optional envelope feeder - Automatically feeds 100 envelopes



Optional Paper Trays

Guide

RF5-1484-000CN Paper size guide/stop - For upper or lower paper input tray

Mailbox

243 C4787A 5-bin mail box with stapler - Holds 2100 sheets of paper used with 5Si family, mopier and 8000 printers

Stop

RF5-2002-030CN Paper length stop

Tray

C4780A HP LaserJet 8000 and 8100 Series Optional 1000 (2 x 500) sheet paper trays (Trays 4 & 5) - Holds up to 1000 sheets of letter, legal, tabloid/ledger, A3, A4, B, or B4 size paper - Does NOT include paper handling PCA

246 C4781A HP LaserJet 8000, 8100, and 5Si Series Optional 2000 sheet paper tray (Tray 4) - Holds up to 2000 sheets of letter, legal, tabloid/ledger, A3, A4, B, or B4 size paper - Does NOT include paper handling controller board

C4785A 8 bin mail box - Holds 2600 sheets of paper - Used with 2000 sheet paper tray or printer cabinet

R98-1004-000CN Lower paper input tray (Tray 3) - 500 sheet capacity - For letter, legal, 11 x 17 inch (B-size), A4 (210MM x 297MM), A3 (297MM x 420MM) and B4 (257MM x 364MM) size paper

R98-1005-000CN Upper input paper tray (Tray 2) - 500 sheet capacity - For letter, legal and A4 (210MM x 297MM) size paper

Other Accessories

CD-ROM (Support)

C4214-60103 LaserJet 8100 series user guide - 23 languages

Cartridge

C4182X Black Ultra-Precise toner cartridge

Certificate

C7819-90903 Email license certificate for MFP

C8539-90901 FAX license certificate for MFP

C9122-90901 NT authentication certificate for MFP

Manual Kit

5021-0377 HP-GL/2, PCL5 and PJP technical reference manual kit

C4214-99021 LaserJet 8100 service manual bundle - Includes service manual supplement for paper-handling accessories

Software

C6072-60301 HP-GL/2 driver software for AutoCAD - For DOS and Windows 3.1/95/NT 4.0 - On 3.5-inch 1.44MB floppy disks (English)

C6072-60304 HP-GL/2 driver software for AutoCAD - For DOS and Windows 3.1/95/NT 4.0 - On 3.5-inch 1.44MB floppy disks (German)

C6072-60305 HP-GL/2 driver software for AutoCAD - For DOS and Windows 3.1/95/NT 4.0 - On 3.5-inch 1.44MB floppy disks (French)

C6072-60306 HP-GL/2 driver software for AutoCAD - For DOS and Windows 3.1/95/NT 4.0 - On 3.5-inch 1.44MB floppy disks (Spanish)

C6072-60307 HP-GL/2 driver software for AutoCAD - For DOS and Windows 3.1/95/NT 4.0 - On 3.5-inch 1.44MB floppy disks (Italian)

Stand

C2975A HP LaserJet Printer Cabinet - For LaserJet 5Si family and 8000/8100 series printers - Supports the printer, and provides storage for supplies and accessories

C4784A 7-bin Tabletop Mailbox Stand - Wheeled stand that allows 7-bin tabletop mailbox to be used when printer is mounted on 2 x 500 or 2000 sheet input - For LaserJet 8000/8100 series printers
NO LONGER SUPPLIED

Staple Cartridge

C3772A HP LaserJet flat-wire staple cartridges for Multi-Bin Mailbox with Stapler - For LaserJet 8000, 8100, 8150, 5Si series and Mopier 240, 320 - Package of 3 with 2000 staples/cartridge - (C3774A)



Other Accessories

Training Kit

C4214-67901 Self Paced Training Kit for LaserJet 5Si Series,8000,8100 and 8150

Other Internal Parts

Arm

266 RB1-6444-000CN Release arm - Front toner cartridge release arm - Hook shaped cartridge holder
267 RB1-6446-000CN Release arm - Toner cartridge release arm - Hook shaped cartridge holder

Cable

268 RG5-1850-000CN Duplexer cable assembly - From duplexer to DC controller
269 RG5-1859-000CN Sensor cable - PIU PS2 sensor cable - J13 to J1205
270 RG5-1861-000CN Cable assembly - 20 pin (F) connector on each end - 39.4cm (15.5 inches) long
271 RG5-1920-000CN Cassette size sensor cable - Between cassette size sensor PCA's and formatter board
272 RG5-1921-000CN Fan cable - Fan 3 power cable
273 RG5-1928-000CN Registration cable assembly - Includes 7P and 3P connectors
274 RG5-4377-000CN Cable assembly - An 11 pin (F) connector, a 10 pin (F) connector, and two 7 pin (F) connectors - 1.1m (3.7ft) long
275 RG5-4378-000CN Cable assembly with ferrites - Has many connectors: A 14 pin (F), an 11 pin (F), two 7 pin (F), a 5 pin (F), two 4 pin (F), and two 3 pin (F) - 85.6cm (33.7 inches) long
276 RG5-4381-000CN Cable assembly - 18 pin (F) connector to 25.4cm (10 inch) grounding wire with ring terminal, 35.7cm (14 inch) cable with 4 pin (F) connector, 53.3cm (21 inch) cable with 1 pin (F) connector, and 86.4cm (34 inch) cable with 4 pin (F) connector

Cable (Interface)

C4781-60504 Multi-Bin mailbox interface C-link cable - 45cm (17.7 inches) long

Cover

278 RB1-6464-000CN Upper right cover

Fan

279 RH7-1266-000CN Tubeaxial fan assembly (FM2)
280 RH7-1271-000CN Formatter board fan (FM3)
281 RH7-1289-000CN Delivery assembly fan (FM4)
282 RH7-1396-000CN Power supply fan (FM1)
283 RH7-1397-000CN Tray 1 fan (FM5)

Guide

284 RB1-6771-000CN PCA guide - Formatter board support guides
285 RB1-6775-000CN Slide guide - Guide for formatter PCA
286 RB1-6776-000CN Tray rail guide - Spring loaded metal guide
287 RB2-3622-000CN Toner cartridge guide - Plastic piece with slot to guide toner cartridge
288 RG5-4364-000CN Toner cartridge guide - Rear guide - Plastic piece with slot to guide toner cartridge

Laser/Scanner

289 C4214-69003 Laser/scanner assembly
REQUIRES RETURN OF DEFECTIVE PART
RG5-4344-000CN *New Part for C4214-69003*

Lever

290 RB1-6692-000CN Paper sensing lever - Senses paper in face down delivery assembly
291 RB1-6693-020CN Paper height lever - Senses when face-down tray is full

Motor

292 RH7-1350-000CN Paper input motor

Other Internal Parts

Plate

293 RF5-1464-000CN Switch/sensor board plate - Shields switch/sensor PCA

Rail

294 RB1-6777-000CN Right side tray rail

Rod

295 RB1-6778-000CN Rod - Tray connector rod for springs

Roller

296 RF5-1834-000CN Feed/separation roller - Has a blue gear on one end and blue release tab on the other - Mounts in the paper input unit assembly (4 used)

297 RF5-2708-000CN Pickup roller - Used in paper pickup assembly - 2 used

Sensor

298 WG8-0291-000CN Photo sensor

Shield

299 RF5-2678-000CN Formatter board EMI shield

Spring

300 RS5-2499-000CN Tension spring - Front spring on metal slide

Stop

301 RB1-6427-000CN CG stopper - Toner cartridge guide stop - Holds toner cartridge in place

302 RB1-6783-000CN Tray stop - Right side tray stopper - Attached to right rear side of Tray 2 and 3 - Blue plastic piece

Paper Path Parts

Arm

303 RB1-6557-000CN Paper input unit sensor arm - Senses when paper passes through paper input unit

Bushing

304 RB1-6441-000CN Transfer guide bushing

Clutch

RG5-4308-000CN Registration assembly clutch

306 RH7-5188-000CN Paper feed clutch

RH7-5204-000CN *New Part for RH7-5188-000CN*

Cover

307 RB2-3631-000CN Paper feed clutch cover

Delivery

308 RG5-1874-110CN Face down delivery assembly - Feeds paper to top of printer

Diverter

309 RG5-4325-000CN Diverter assembly - Diverts paper to duplexer assembly or face up tray or face down delivery assembly

Drive Assembly

310 RF9-1249-000CN Diverter drive assembly - 4 gear drive assembly - 20 tooth gear NOT included

311 RG5-4365-000CN Main drive gear assembly

Feed Assembly

312 RG5-4305-000CN Feeder assembly - Transfer roller and registration assembly are mounted on this assembly

Guide

313 RF5-2676-000CN Transfer guide

Holder

314 RB1-6461-000CN Damper holder - Front damper holder

315 RB1-6462-000CN Damper holder - Rear damper holder



Paper Path Parts

Kit

- C3914-67902 Maintenance kit (120V) - Replacement parts after 350K pages includes, fusing assembly, eight feed/separation rollers, and transfer roller - NOTE: Pickup rollers are not included in this kit - Please order separately if needed
- C3914-69001 Maintenance kit (120V) - Replacement parts after 350K pages includes, fusing assembly, eight feed/separation rollers, and transfer roller - NOTE: Pickup rollers are not included in this kit - Please order separately if needed
REQUIRES RETURN OF DEFECTIVE PART
- C3914-67902 *New Part for C3914-69001*
- C3915-67902 Maintenance kit (220V) - Replacement parts after 350K pages includes, fusing assembly, eight feed/separation rollers, and transfer roller - NOTE: Pickup rollers are not included in this kit - Please order separately if needed
- C3915-69001 Maintenance kit (220V) - Replacement parts after 350K pages includes, fusing assembly, eight feed/separation rollers, and transfer roller - NOTE: Pickup rollers are not included in this kit - Please order separately if needed
REQUIRES RETURN OF DEFECTIVE PART
- C3915-67902 *New Part for C3915-69001*

Motor

- 320 RH7-5219-000CN Main motor

Pad

- 321 RF5-2703-000CN Separation pad - Tray 1 separation pad

Pickup Assembly

- 322 C4214-69017 Paper pickup assembly - Includes pickup, feed and separation rollers
REQUIRES RETURN OF DEFECTIVE PART
- RG5-4334-260CN *New Part for C4214-69017*
- 323 RG5-4330-000CN Paper pickup assembly

Plate

- 324 RB1-6582-020CN Upper paper guide plate

Roller

- 325 RB1-9526-000CN Pickup roller - Used in tray 1 paper pickup assembly
- 326 RB2-3851-000CN Torque limiter - Limits rotation of feed rollers - Black and gray D-shaped roller
- 327 RF9-1394-000CN Transfer roller - Transfer charge roller (Black)
- 328 RG9-1361-000CN Transfer roller assembly - Includes transfer guide, both transfer bushings and transfer roller

Roller Assembly

- 329 RG5-4303-030CN Registration assembly - Set of rollers before toner cartridge and after feed rollers - Has green handle with the number 2 printed on it

Shield

- RB1-6749-000CN Internal cover for Tray 1 pickup assembly

Solenoid

- 331 RG5-1875-000CN Face up solenoid assembly

Spring

- 332 RB1-6558-020CN Sensor arm torsion spring - Holds tension on PIU paper sensor arm

Torque Limiter

- 333 RB2-3581-000CN Torque limiter - Limits rotation of feed rollers

Power Supplies and Parts

Fuse

- 334 VD5-0056-301CN Low voltage power supply fuse - For 110/120V operation
- 335 VD7-0646-301CN Low voltage power supply fuse - For 220/240V operation



Power Supplies and Parts

Power Supply

- 336 C4214-69020 Low voltage power supply (120v,60Hz) - Includes power switch, AC receptacle and DC power supply
REQUIRES RETURN OF DEFECTIVE PART
RG5-4357-000CN New Part for C4214-69020
- 337 RG5-4301-000CN Low voltage power supply - 240VAC, 50Hz - Includes power switch, AC receptacle and DC power supply
- 338 RG5-4306-050CN High voltage power supply assembly

Power Supply Kit

- C4789A Power supply kit - For connecting a multi-bin mailbox to printer when printer is on a stand

Stapler Components

Bed

- 340 C3766-60503 Stapling unit bed assembly - Includes sliders that move sheets of paper to stapling position

Brush

- 341 C3766-60508 Stapling unit antistatic brush - Eliminates static charge on paper

Cable

- 342 C4787-60507 Stapler unit C-link cable - Has two high density 15 pin (M) connectors - 91.4cm (36 inches) long

Cover

- 343 C3766-60501 Stapling unit top cover

Guide

- 344 C3766-60507 Stapling unit wire form guide

Hinge

- 345 C3766-60506 Stapling unit hinges - Set of 2

PC Board

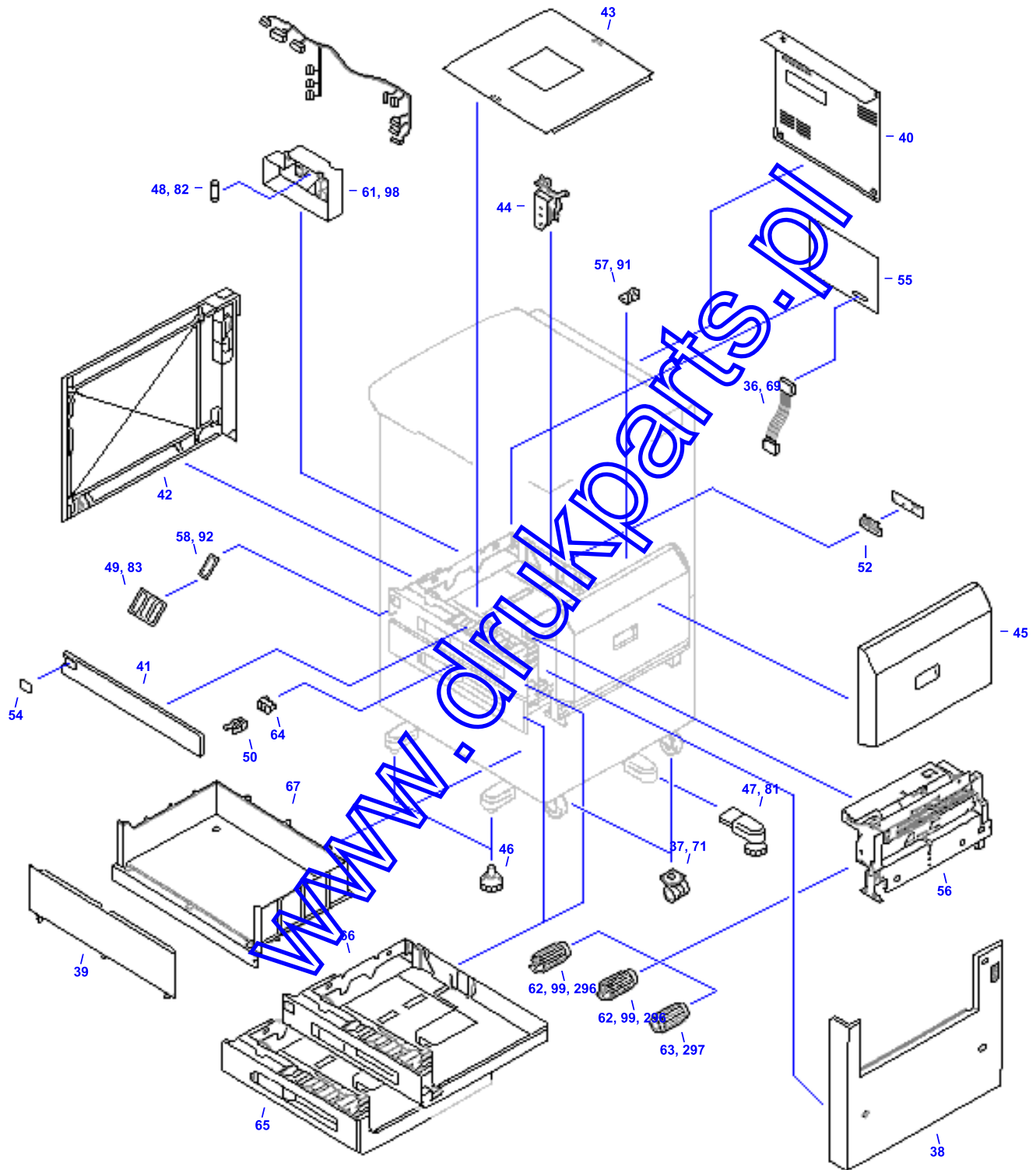
- 346 C4787-60514 Stapling unit control board

Plate

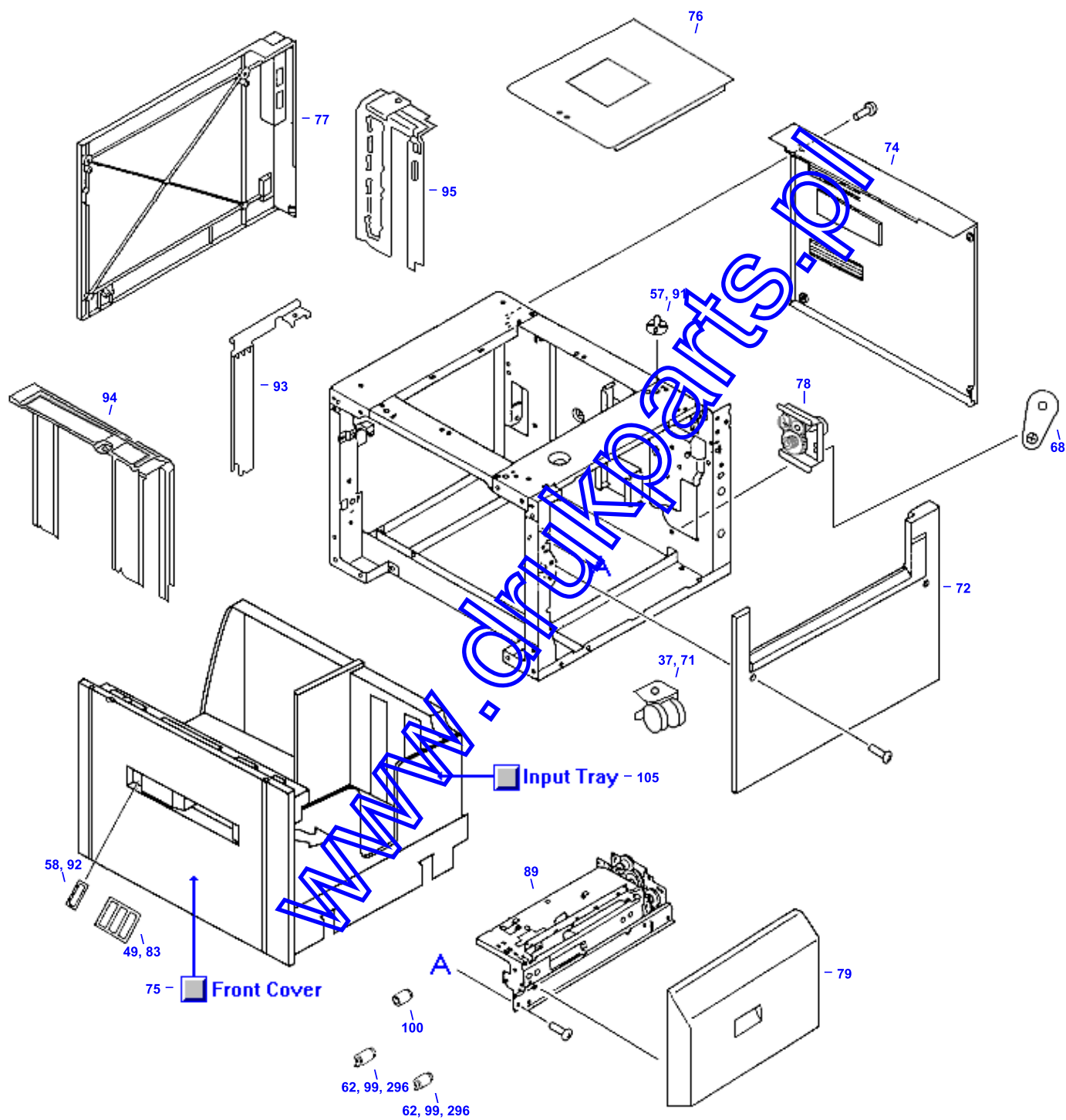
- C3766-60505 Stapling Unit Back Plate - Covers rear of Stapling Unit

www.drukparts.pl

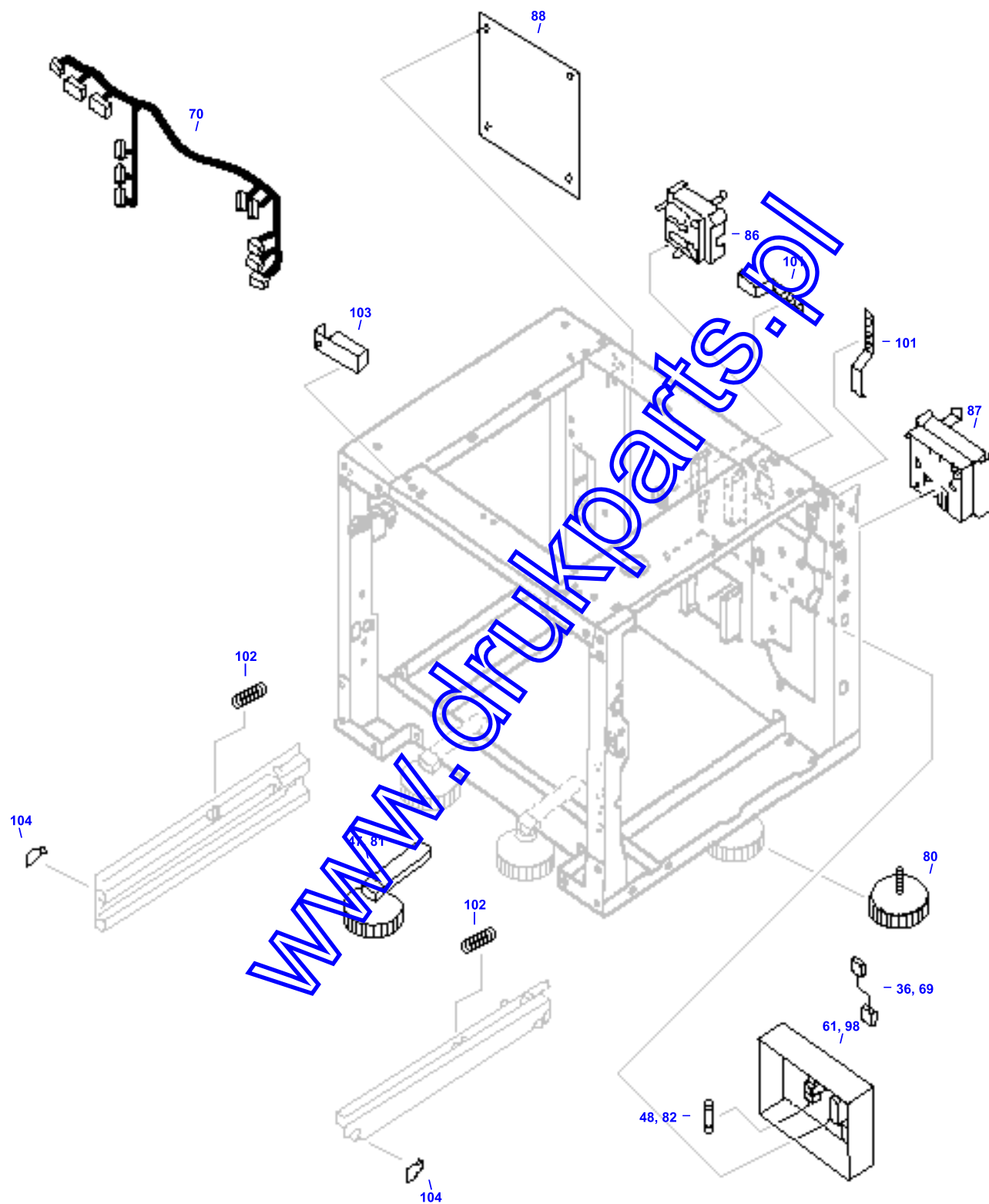
2 X 500 Input Tray



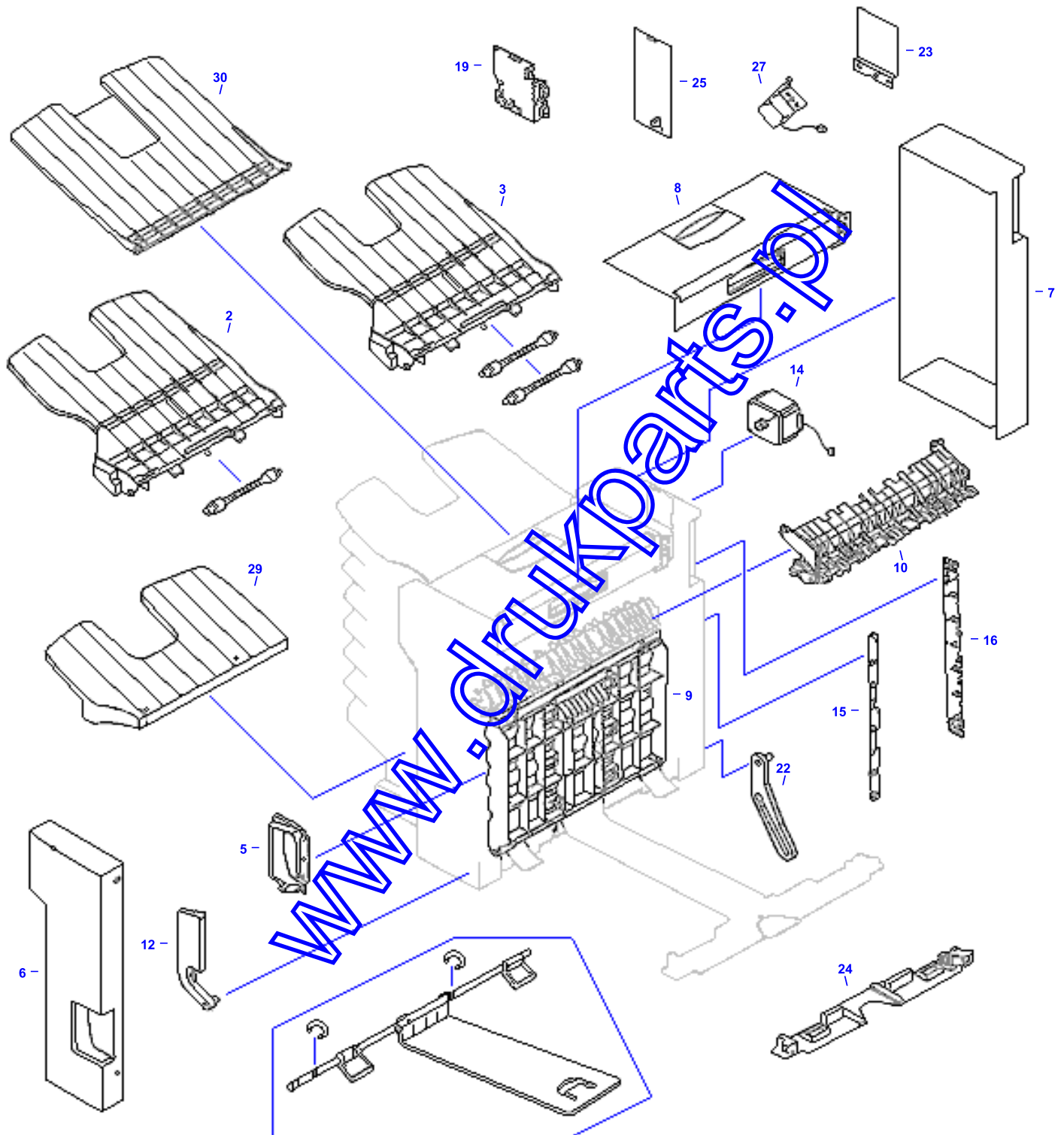
2000 Sheet Input Tray (1 of 2)



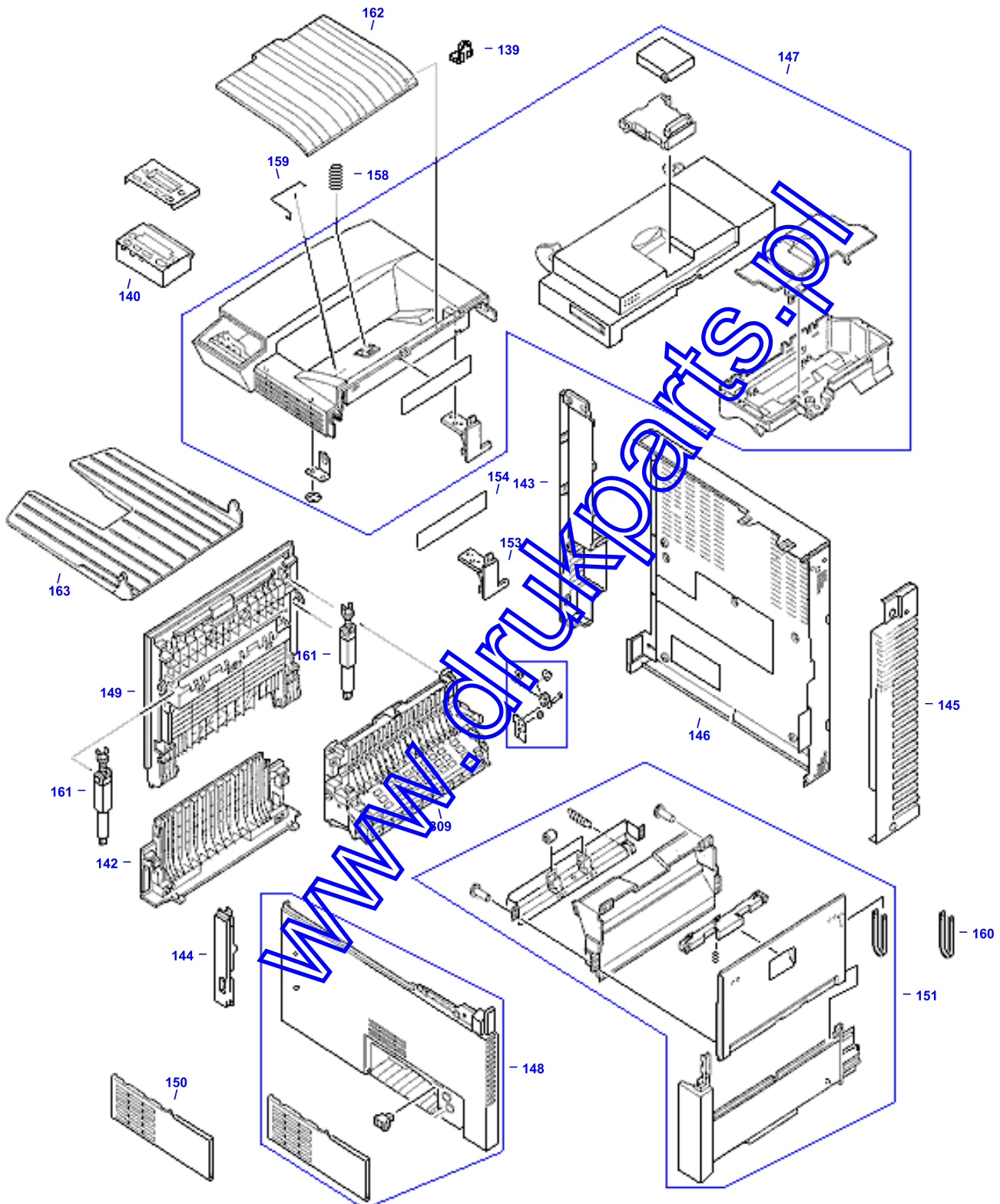
2000 Sheet Input Tray (2 of 2)



7-bin Tabletop Mailbox

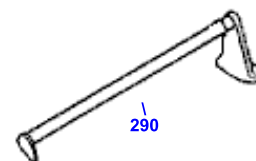
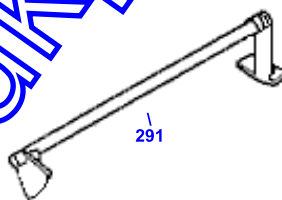
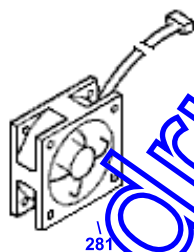
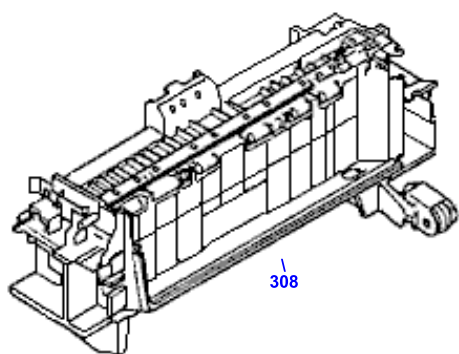


Covers and Doors



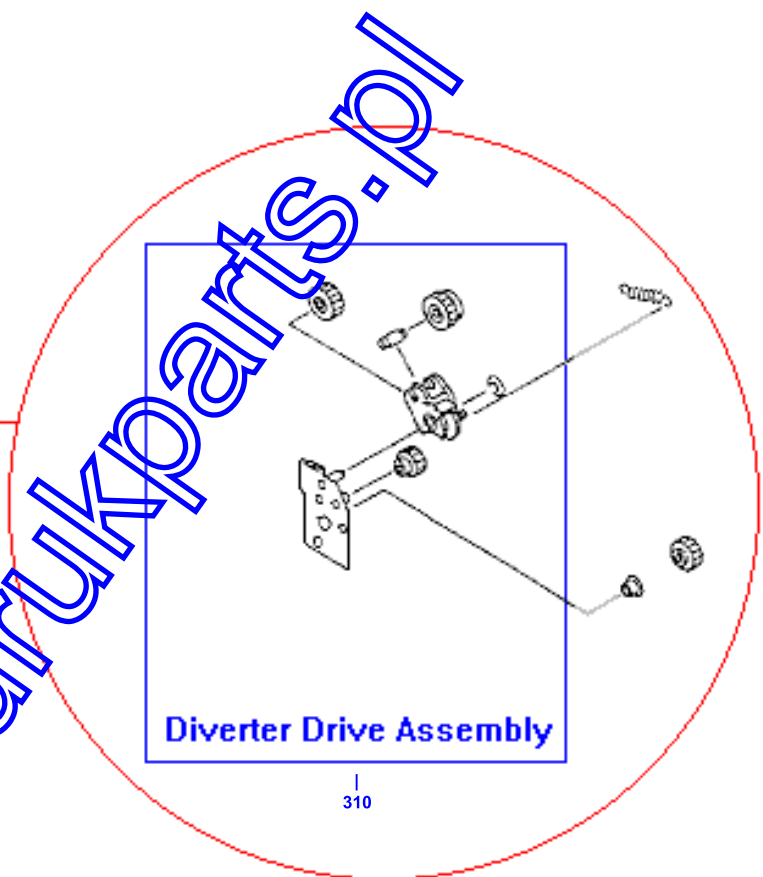
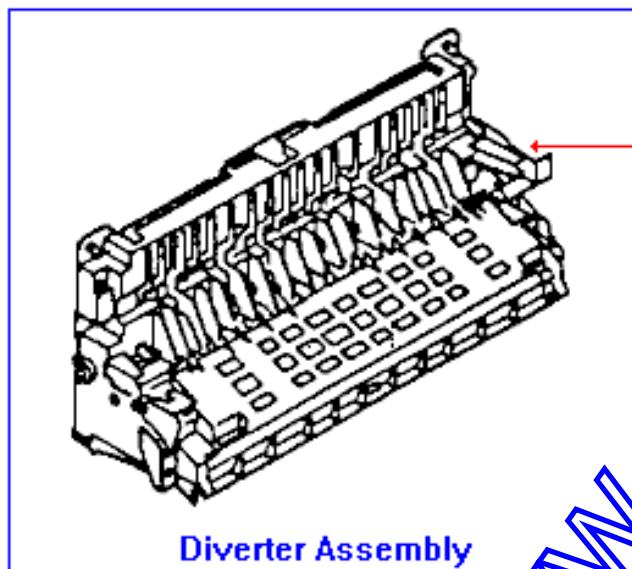
Delivery Assembly

8 -  Delivery Assembly



www.drukparts.pl

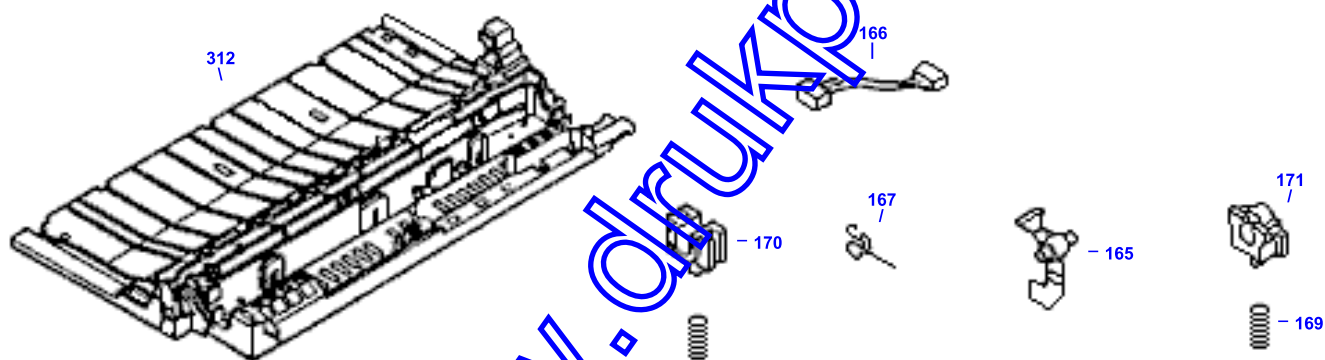
Diverter Assembly



www.drukparts.pl

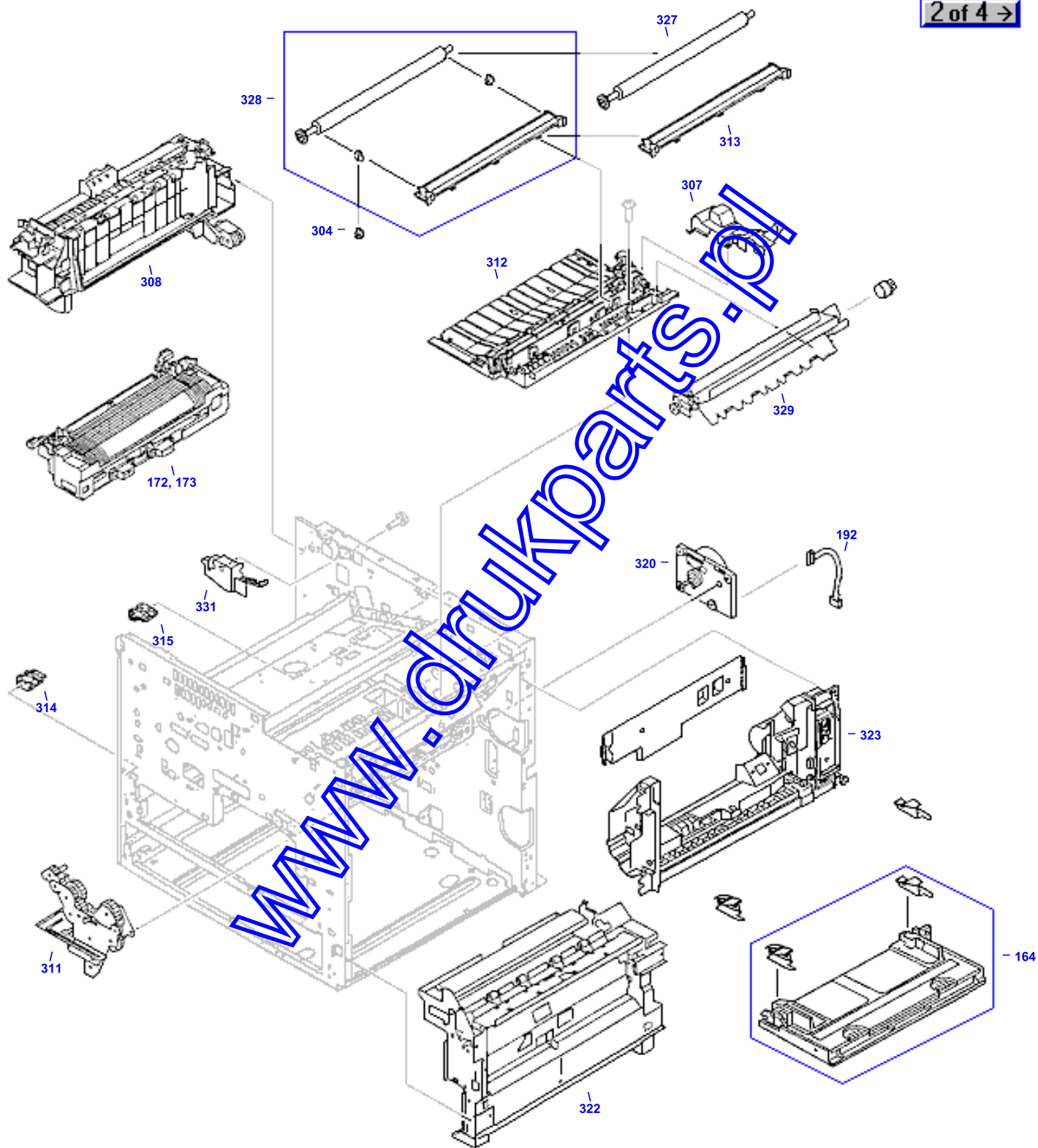
Feeder Assembly

312 -  Feeder Assembly



Internal Components (1 of 4)

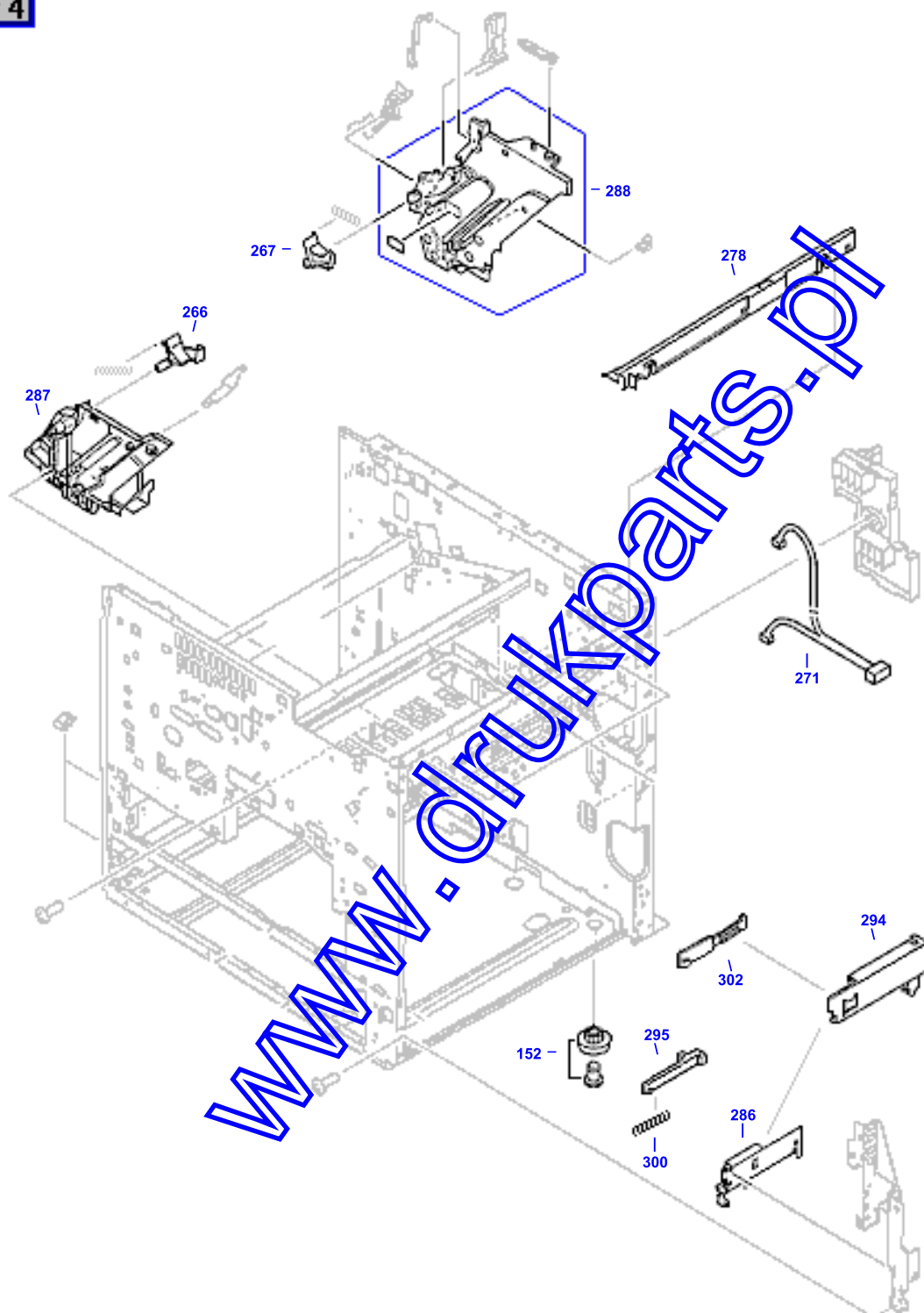
2 of 4 →



Internal Components (2 of 4)

← 1 of 4

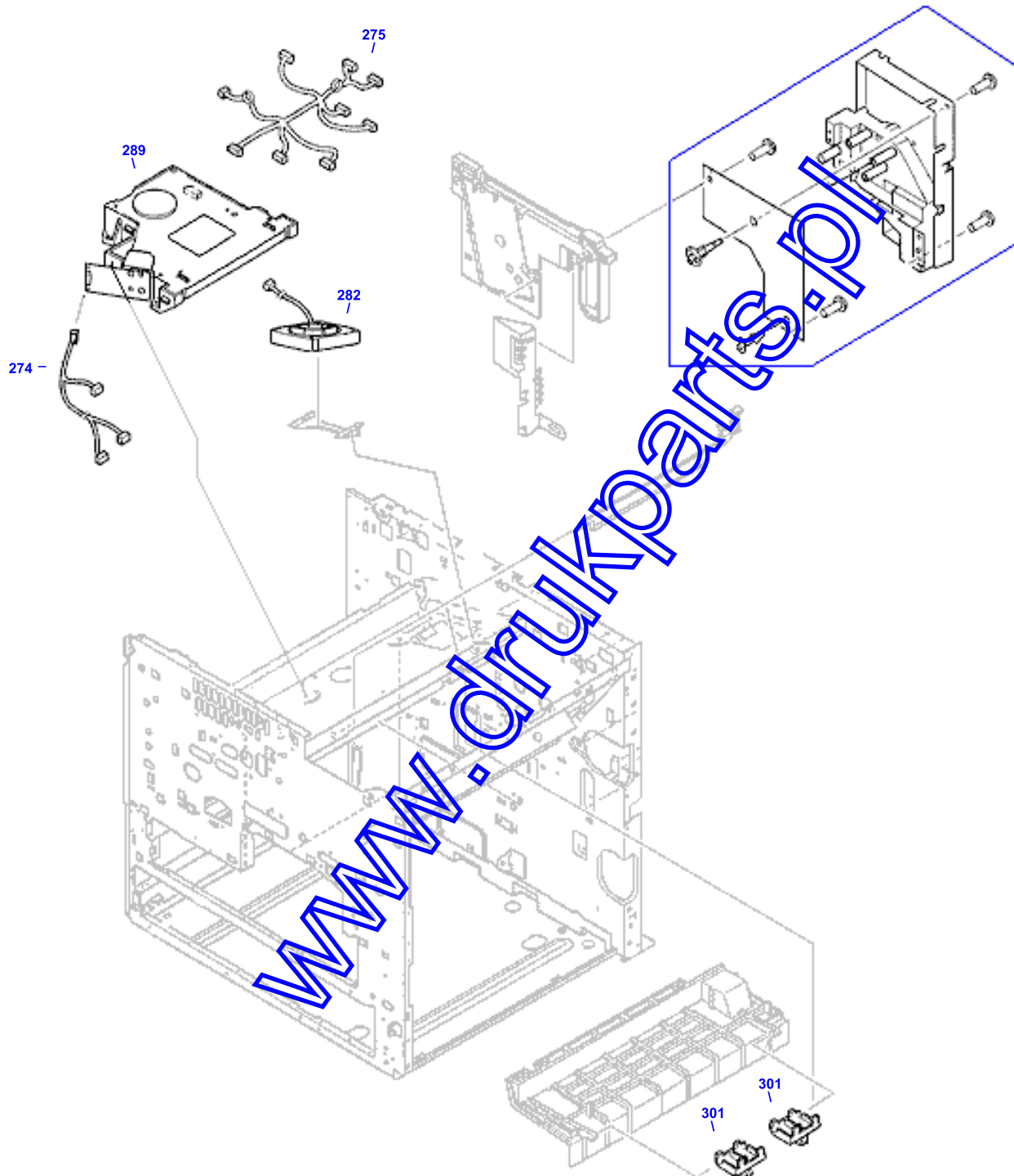
3 of 4 →



Internal Components (3 of 4)

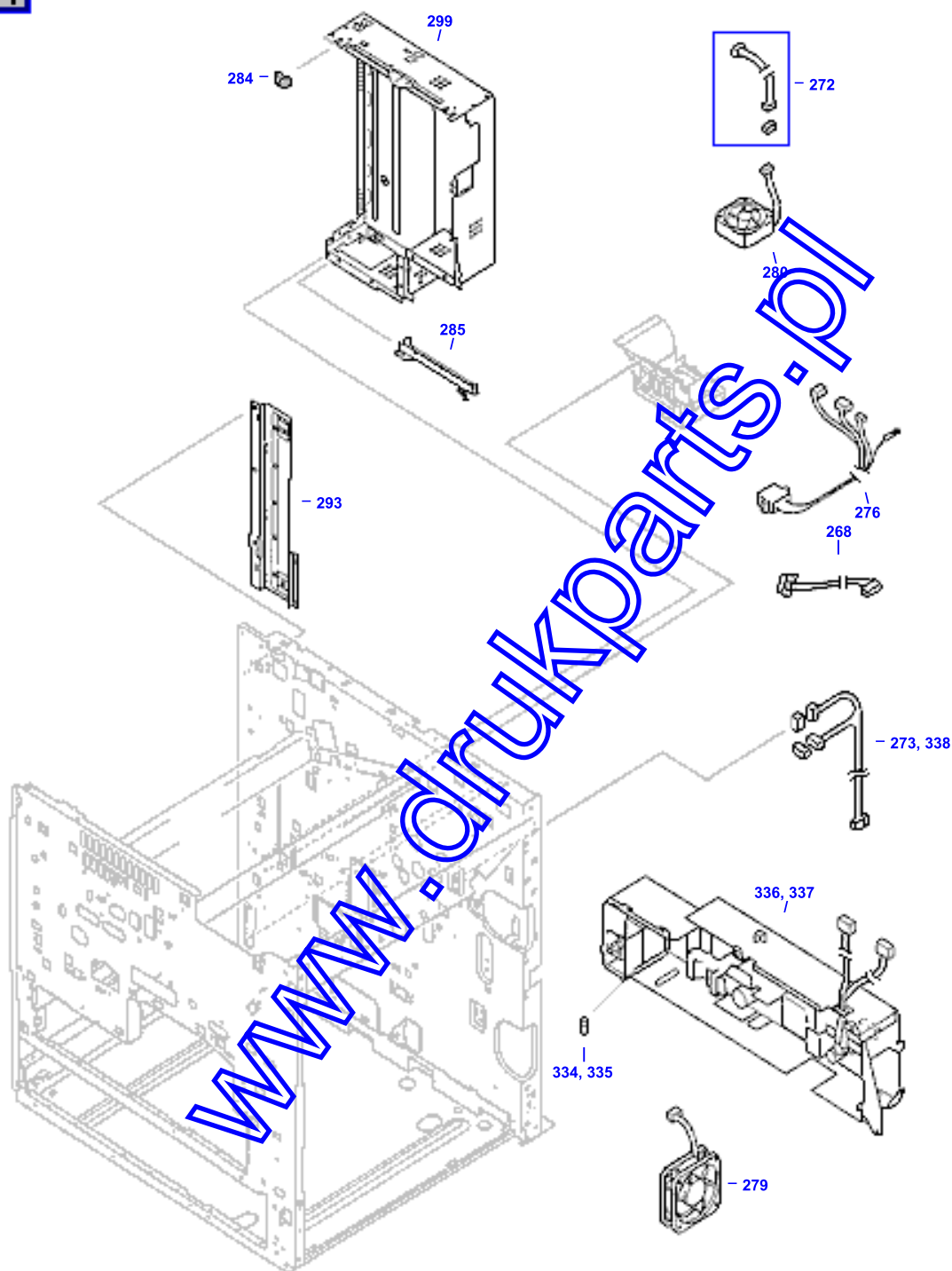
← 2 of 4

4 of 4 →

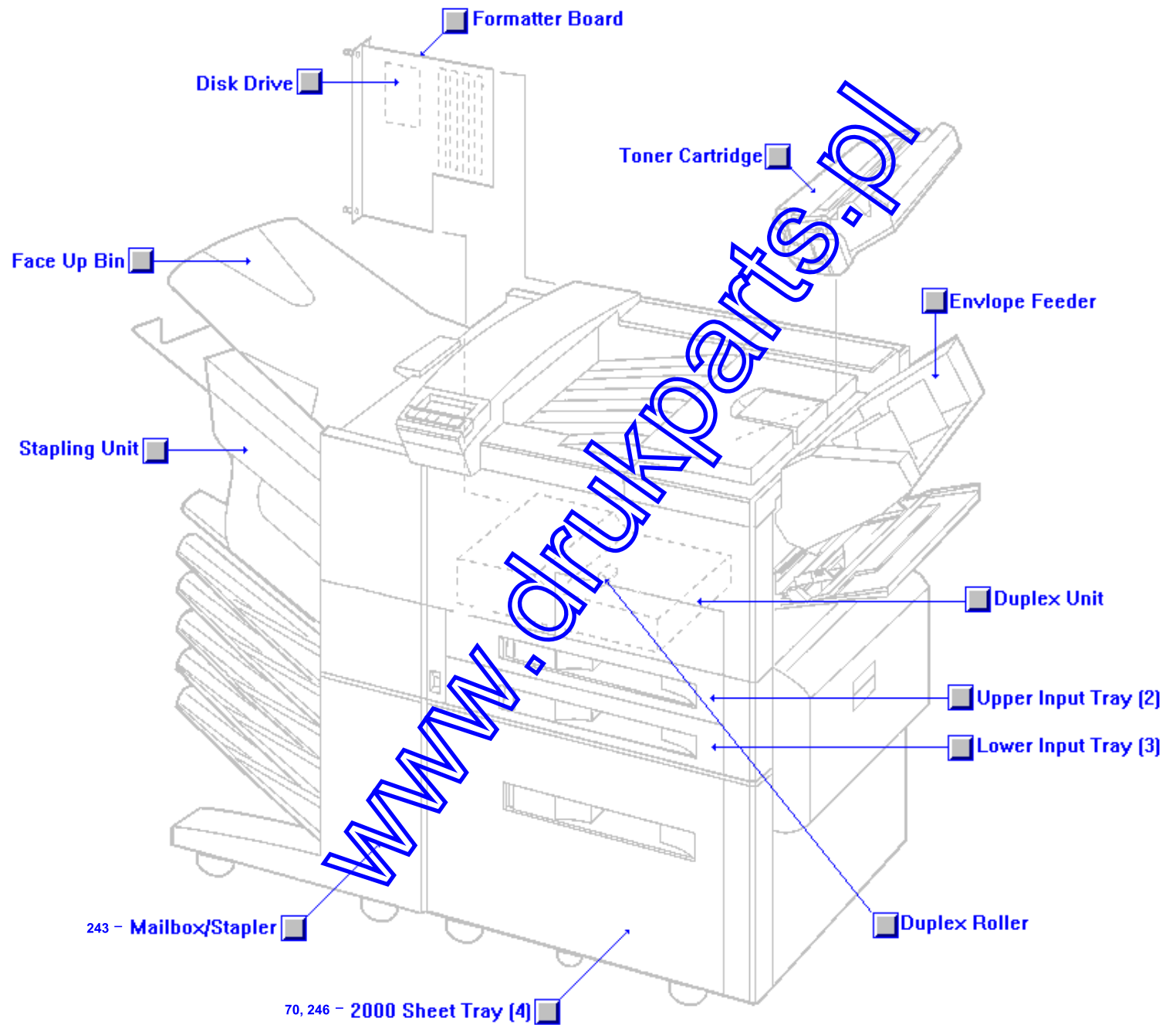


Internal Components (4 of 4)

← 3 of 4

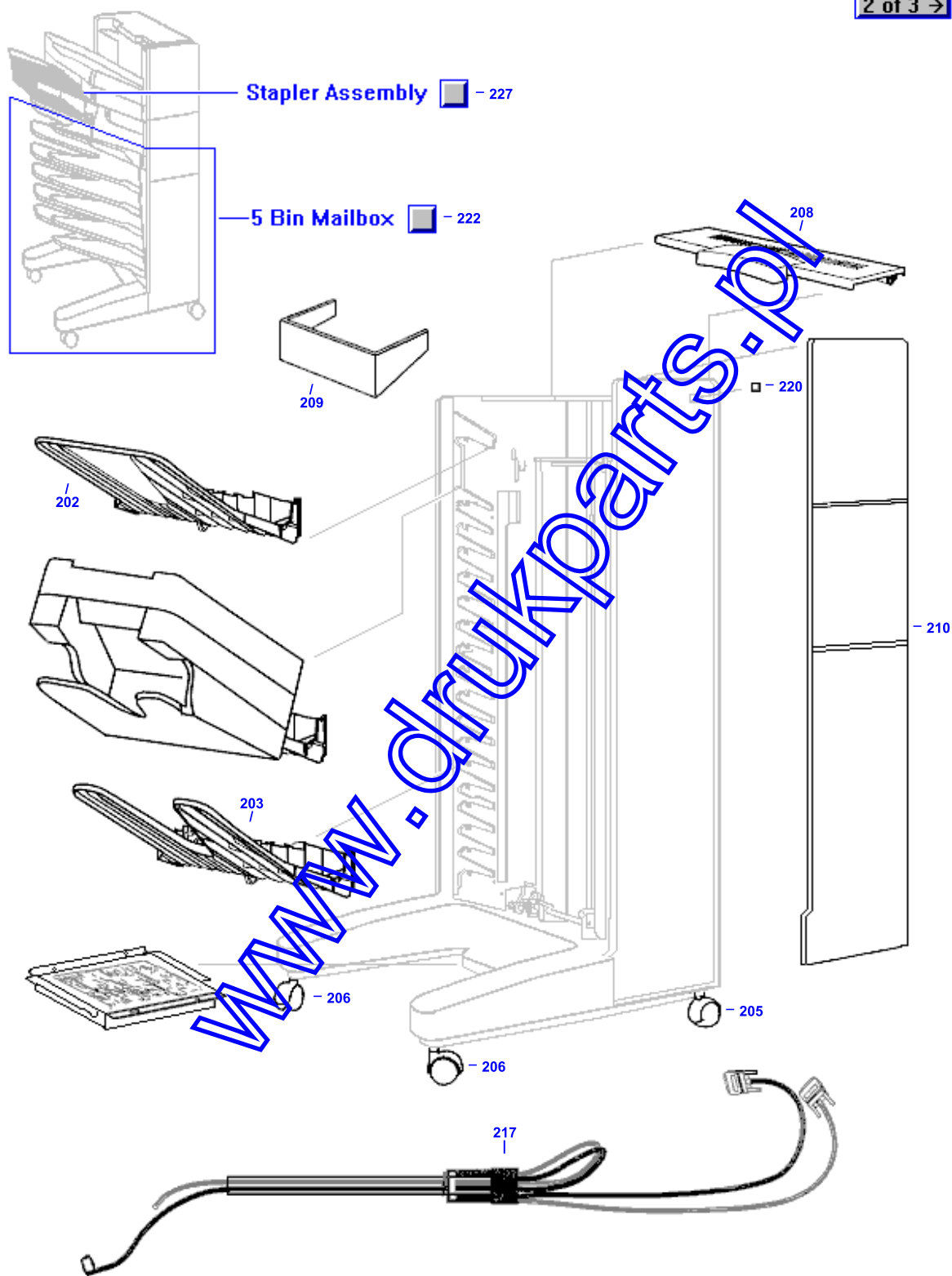


Major Printer and Paper Handling Parts



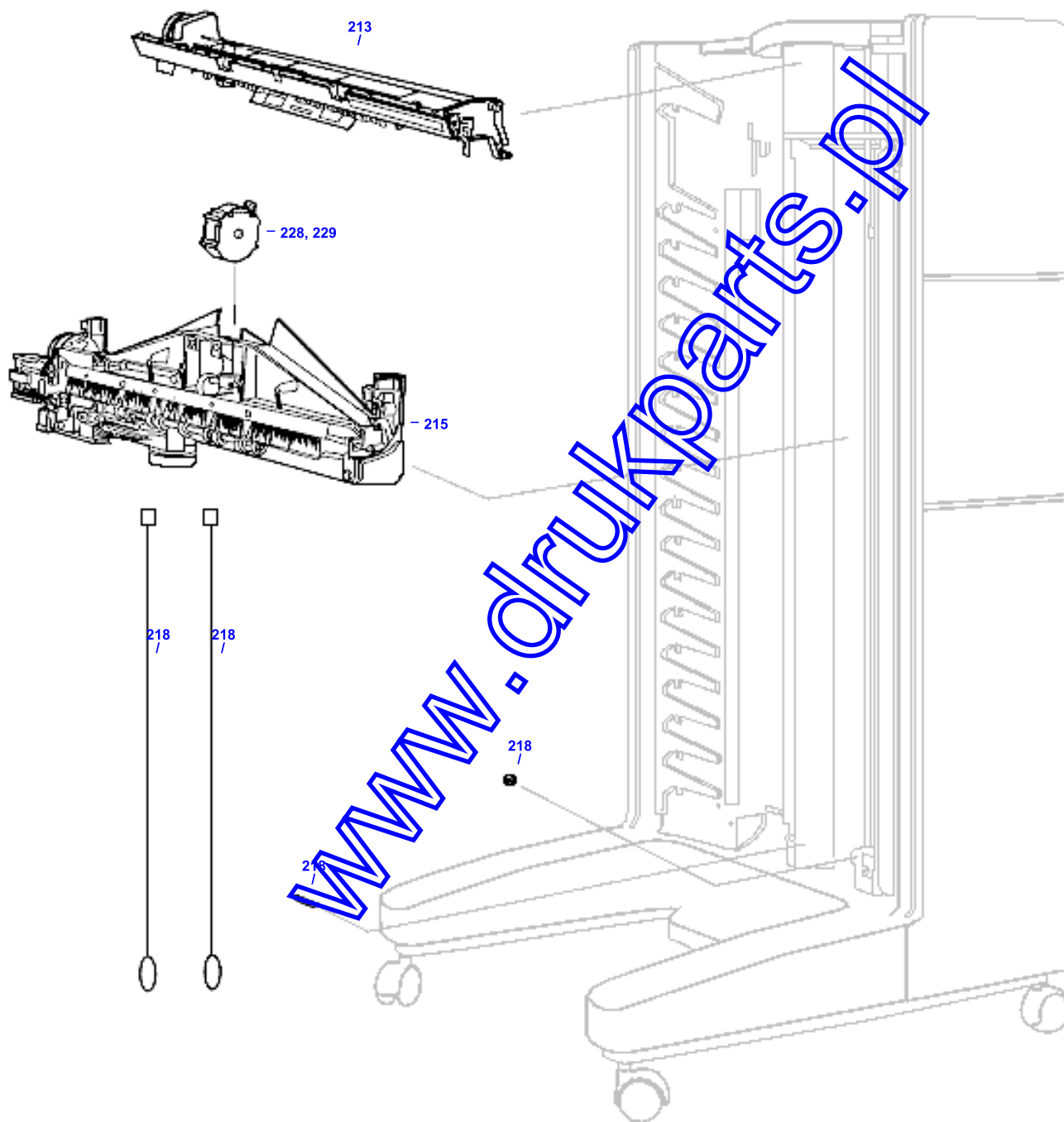
Multibin Mailbox (1 of 3)

2 of 3 →



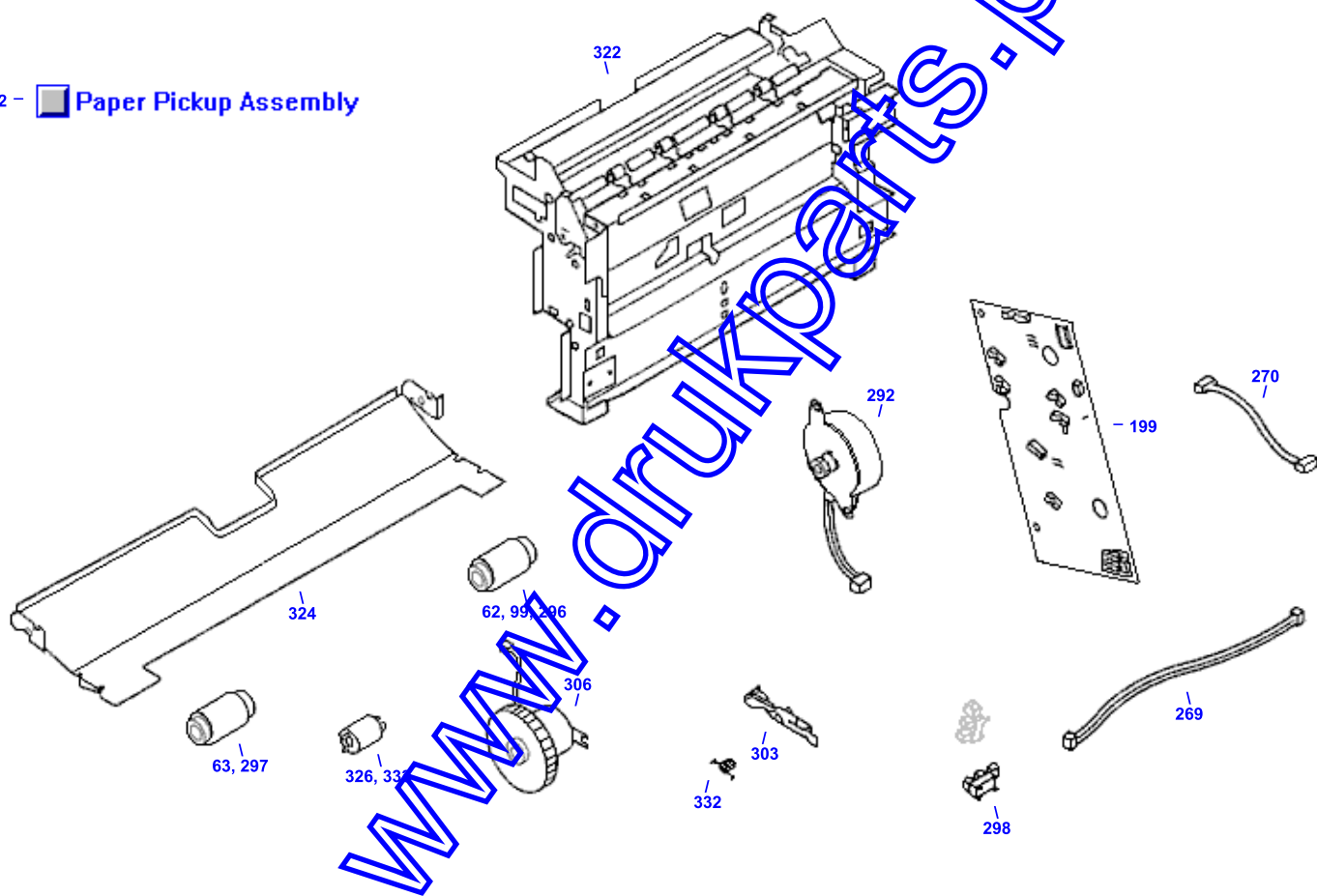
← 1 of 3

3 of 3 →



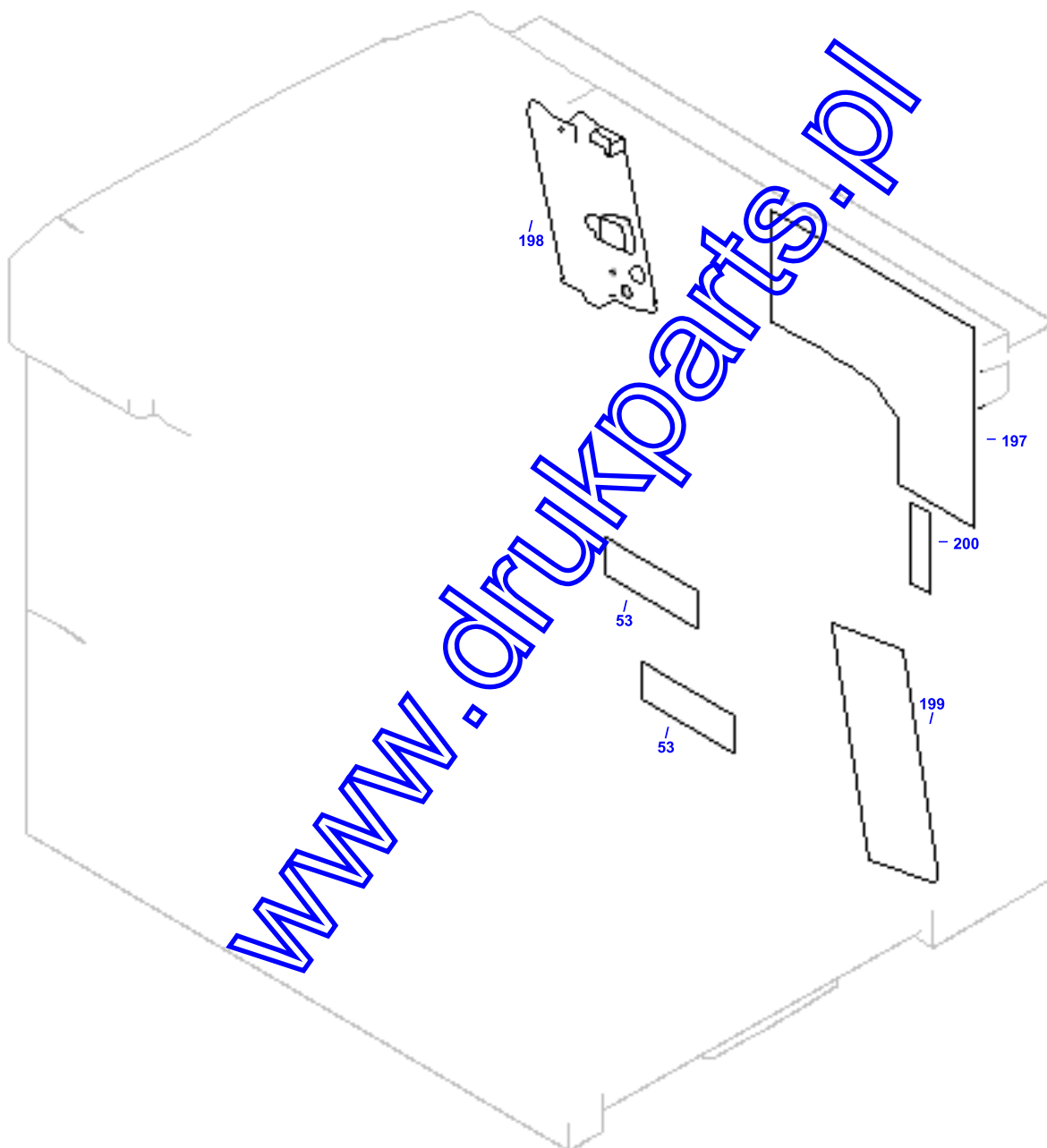
Paper Pickup Assembly

322 -  Paper Pickup Assembly

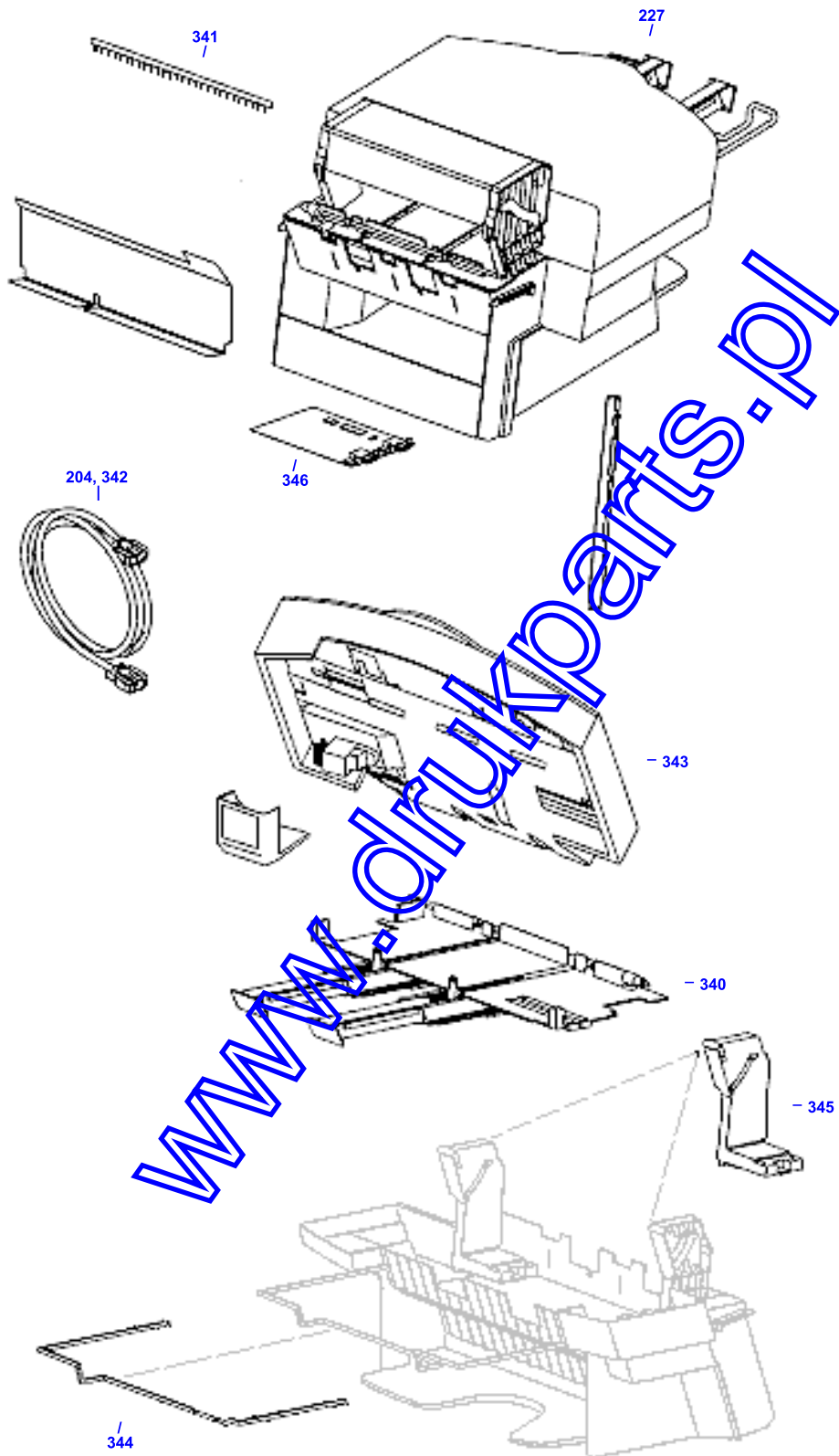


PCB Assembly Location

PCB Assembly Locations

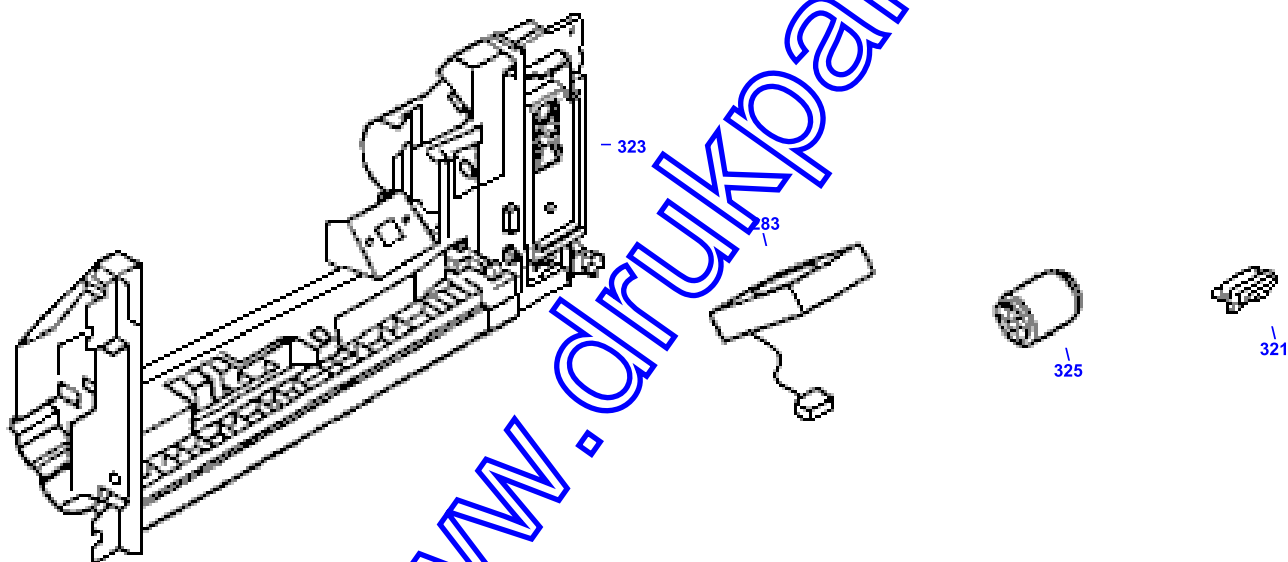


Stapler



Tray 1 Assembly

323 -  Tray 1 Assembly





HP Parts Reference Guide

<http://www.hp.com/go/parts>

HP PartSurfer

<http://partsurfer.hp.com>

HP Parts Ordering Information

<http://www.hp.com/go/hpparts>

HP Parts Questions/Comments

<http://partsurfer.hp.com/contactus.htm>

www.drukparts.pl