



## Electronic Accessories

### Adapter (Product)

C4109A Serial to parallel I/O adapter - Self-powered 9 to 25-pin adapter - RS-232/422 - Comes with parallel extension  
NO LONGER SUPPLIED

### Cable (Interface)

5063-1254 IEEE-1284 Bi-Tronics parallel cable - DB-25 (M) connector (type A) to 36 pin high density IEEE-1284C (M) connector (type C) - 3.0m (9.8ft) long

5063-1255 IEEE-1284 Bi-Tronics parallel cable - DB-25 (M) connector (type A) to 36 pin high density IEEE-1284C (M) connector (type C) - 10m (33ft) long

5063-1256 IEEE-1284 Bi-Tronics parallel cable - DB-25 (M) connector (type A) to 36 pin Centronics (M) connector (type B) - 2.0m (6.6ft) long

5063-1257 IEEE-1284 Bi-Tronics parallel cable - DB-25 (M) connector (type A) to 36 pin Centronics (M) connector (type B) - 3.0m (9.8ft) long

C2946A IEEE-1284 Bi-Tronics parallel cable - DB-25 (M) connector (type A) to 36 pin high density IEEE-1284C (M) connector (type C) - 3.0m (9.8ft) long

C2947A IEEE-1284 Bi-Tronics parallel cable - DB-25 (M) connector (type A) to 36 pin high density IEEE-1284C (M) connector (type C) - 10m (33ft) long

C2950A IEEE-1284 Bi-Tronics parallel cable - DB-25 (M) connector (type A) to 36 pin Centronics (M) connector (type B) - 2.0m (6.6ft) long

5063-1256 *New Part for C2950A*

C2951A IEEE-1284 Bi-Tronics parallel cable - DB-25 (M) connector (type A) to 36 pin Centronics (M) connector (type B) - 3.0m (9.8ft) long

C2990A IEEE-1284 Bi-Tronics parallel cable - DB-25 (M) (type A) to 36 pin (M) Centronics (type B) - 1.8m (6ft) long  
NO LONGER SUPPLIED

C2991A IEEE-1284 Bi-Tronics parallel cable - DB-25 (M) (type A) to 36 pin (M) Centronics (type B) - 3.0m (10ft) long  
NO LONGER SUPPLIED

### Memory (Product)

C3131A 2MB, 70nS, 36-bit SIMM memory module - For HP LaserJet 4P, 4+, 4V, 5, 5N, 5M, 5P, 5Si  
NO LONGER SUPPLIED

C3146-67901 *New Part for C3131A*

C3132A 4MB, 70nS, 36-bit SIMM memory module - For HP LaserJet 4P, 4+, 4V, 5, 5N, 5M, 5P, 5Si  
NO LONGER SUPPLIED

C3146-67901 *New Part for C3132A*

C3133A 8MB, 70nS, 36-bit SIMM memory module - For HP LaserJet 4P, 4+, 4V, 5, 5N, 5M, 5P, 5Si  
NO LONGER SUPPLIED

C3146-67901 *New Part for C3133A*

### Memory (SIMM)

C3130-60001 1MB, 32-bit SIMM memory module

C3131-67901 2MB, 32-bit SIMM memory module  
NO LONGER SUPPLIED

C3146-67901 *New Part for C3131-67901*

C3132-67901 4MB, 70nS, 36-bit parity SIMM memory module  
NO LONGER SUPPLIED

C3146-67901 *New Part for C3132-67901*

C3133-67901 8MB, 70nS, 36-bit parity SIMM memory module  
NO LONGER SUPPLIED

C3146-67901 *New Part for C3133-67901*

C3146-67901 16MB SIMM memory module

### PostScript

C3987-69001 PostScript level 2 SIMM module  
REQUIRES RETURN OF DEFECTIVE PART

C3987-67901 *New Part for C3987-69001*



## External Case Parts

### Arm

21 RB1-5939-000CN Sensor arm - Detects if paper is in multipurpose input tray

### Button

22 RB1-9164-000CN Lock button - Unlocks top cover door

23 RB1-9165-000CN Top cover door lock button guide

### Cover

24 RB1-9151-000CN Interface connector cover

25 RB1-9160-000CN Main top cover/case assembly - Top door NOT included

26 RG5-2779-000CN Power cord cover assembly - Power button and spring included

27 RG5-2780-000CN Left side cover assembly - Includes interface connector cover, light pipe block, and infrared filter lens

### Door

28 RG5-2782-000CN Top door assembly - Attaches to main top cover/case assembly

### Foot

29 RB1-6007-000CN Rubber foot  
NO LONGER SUPPLIED

### Nameplate/Logo

30 C3980-00001 Nameplate - LaserJet 6P printer

### Spring

RS5-2228-000CN Top door latch spring - Attaches to the lock button  
NO LONGER SUPPLIED

### Tray

32 RG5-2784-000CN Face-up paper output tray assembly - Includes main tray that attaches to printer ribbed flapper part, and slide out extension tray

33 RG5-2785-000CN Multi-Purpose input tray (Tray 1) - Fold down front cover

## Fusing Assembly Parts

### Cover

34 RB1-5918-000CN Delivery cover

### Delivery

35 RG5-0681-000CN Delivery assembly - Plastic guide with two spring loaded rollers - Mounts in the fusing assembly

### Fusing Assembly

36 C3980-69010 Fusing assembly (for 100V to 120V operation) - Bonds toner to paper with heat

RG5-4110-000CN *New Part for C3980-69010*

37 C3980-69011 Fusing assembly (For 220V to 240V operation) - Bonds toner to paper with heat  
REQUIRES RETURN OF DEFECTIVE PART

RG5-4111-000CN *New Part for C3980-69011*

### Gear

38 RS5-0637-000CN Drive gear - 24 teeth  
NO LONGER SUPPLIED

### Lever

39 RB1-3097-000CN Paper exit (flag) lever - For the exit sensor - Mounts in the fusing assembly

40 RB1-5906-000CN Fuser release lever - For clearing paper jams

### Roller

41 RB1-3107-000CN Plastic roller (Clear) - Part of the delivery assembly - Mounts in the fusing assembly (two used)

42 RB1-3109-000CN Conductive roller - 'Tire' like roller that mounts on end of pressure roller shaft (Next to drive gear) - Mounts in the fusing assembly  
NO LONGER SUPPLIED

43 RB1-9181-020CN Exit roller - Shaft with 3 rubber rollers - In fusing assembly

**Fusing Assembly Parts**

**Roller**

- 44 RB1-9210-000CN Lower pressure roller - Hard rubber roller in fusing assembly
- 45 RG5-2802-000CN Fusing roller assembly (For 100V to 120V operation) - Includes heating element and teflon sleeve
- 46 RG5-2803-080CN Fusing roller assembly (For 220V to 240V operation) - Includes heating element and teflon sleeve

**Spring**

- 47 RB1-3108-000CN Delivery roller retaining spring - Mounts in the fusing assembly  
NO LONGER SUPPLIED
- 48 RS5-2421-000CN Hook spring - Keeps fusing assembly closed  
NO LONGER SUPPLIED

**Labels and Transparencies**

**Film (Transparency)**

- 92296U LaserJet printer transparency film - A4 size (21.0cm x 29.7cm) - 50 sheets per box
- 92296T LaserJet printer transparency film - A size (8.5 x 11-inches) - 50 sheets per box

**Labels**

- 92296A LaserJet printer addressing labels - 2.54cm (1.00in) x 6.67cm (2.63in) labels - 30 per sheet - 100 sheets per box  
NO LONGER SUPPLIED
- 92296B LaserJet printer addressing labels - 3.38cm (1.33in) x 10.2cm (4.00in) labels - 14 per sheet - 100 sheets per box  
NO LONGER SUPPLIED
- 92296C LaserJet printer addressing labels - 2.54cm (1.00in) x 10.2cm (4.00in) labels - 20 per sheet - 100 sheets per box  
NO LONGER SUPPLIED
- 92296D LaserJet printer addressing/shipping labels - 5.08cm (2.00in) x 10.2cm (4.00in) labels - 10 per sheet - 100 sheets per box  
NO LONGER SUPPLIED
- 92296E LaserJet printer shipping labels - 8.47cm (3.33in) x 10.2cm (4.00in) labels - Six per sheet - 100 sheets per box  
NO LONGER SUPPLIED
- 92296F LaserJet printer return address labels - 1.27cm (0.50in) x 4.45cm (1.75in) labels - 80 per sheet - 25 sheets per box  
NO LONGER SUPPLIED
- 92296G LaserJet printer file folder labels - 1.69cm (0.67in) x 8.73cm (3.44in) labels - 30 per sheet - 25 sheets per box  
NO LONGER SUPPLIED
- 92296H LaserJet printer labels for 3.5-inch diskettes - 7.00cm (2.75in) x 7.00cm (2.75in) labels - Nine per sheet - 70 sheets per box  
NO LONGER SUPPLIED
- 92296J LaserJet printer labels for 5.25-inch diskettes - 3.81cm (1.50in) x 10.2cm (4.00in) labels - 12 per sheet - 70 sheets per box  
NO LONGER SUPPLIED
- 92296K LaserJet printer full sheet label - A size (8.5 x 11-inches) label - One per sheet - 100 sheets per box  
NO LONGER SUPPLIED

**Logic/Control Electronics**

**Cable**

- 61 RG5-1804-000CN Cable - From sensor located in multipurpose pickup assy area to small connector board attached to DC controller/PS board
- 62 RH2-5259-000CN Cable - From DC controller/power supply board to small connector board  
NO LONGER SUPPLIED

**Connector**

- 1252-5460 DC controller connector - Interconnect between formatter PCA and DC controller PCA - NOT included on controller PCA

**Laser/Scanner**

- 64 C3980-69005 Laser/scanner assembly  
REQUIRES RETURN OF DEFECTIVE PART
- RG5-2848-000CN *New Part for C3980-69005*

**Logic/Control Electronics**
**Module**

J2591-69001 External JetDirect LAN interface module with ethertwist (10Base-T) and ThinLAN (10BASE-2) connectors

**PC Board**

66 C3980-69008 DC controller/power supply board - For 100 to 120V operation  
 REQUIRES RETURN OF DEFECTIVE PART

*RG5-2826-040CN New Part for C3980-69008*

67 C3980-69009 DC controller/power supply board - For 220 to 240V operation  
 REQUIRES RETURN OF DEFECTIVE PART

*RG5-2827-040CN New Part for C3980-69009*

68 C3981-69001 Formatter (Main logic) board

**Power Cord**

8120-8381 Power cord (Flint Gray) - 18 AWG, 1.8m (72 in.) long - Has 90 degree (F) receptacle. For 120V in the USA, Canada, Latin America, Korea, Taiwan, and Thailand)

**Sensor**

70 WG8-5210-000CN Photo sensor

**Optional Interfaces**
**Interface (Module)**

J4101-61011 External JetDirect 300X print server module (10Base-T and 100Base-T) - Connects between printer parallel port and LAN network - Does NOT include power module - (J4101A, J4101B)

**Interface (Product)**

J2590A External JetDirect LAN interface module with RJ-45 connector for EtherTwist (10Base-T) or 100VG/802.12 input and 3 parallel (DB-25) output connectors  
 NO LONGER SUPPLIED

J2591A External JetDirect LAN interface module and power module - Has EtherTwist (10Base-T) and ThinLAN (10Base-2) connectors  
 NO LONGER SUPPLIED

J3258B External JetDirect 170X LAN interface module - Interfaces a parallel printer to an ethernet 10Base-T (RJ-45) LAN

J3264A External JetDirect 500X token ring interface module - Interfaces up to 3 parallel printers to a token ring (DB-9 or RJ-45) LAN

J3265A External JetDirect 500X LAN interface module - Interfaces up to 3 parallel printers to an ethernet 10Base-T (RJ-45), 10Base2 (BNC), or 100Base-TX (RJ-45) LAN

**Module**

J2382-69003 External JetDirect LAN interface module with ethertwist (10Base-T) and ThinLAN (10BASE-2) connectors

J2383-61005 External token ring interface module - Has DB-9 connector

J2590-69001 External JetDirect LAN interface module with RJ-45 connector for ethertwist (10Base-T) or 100VG/802.12 input and 3 parallel (DB-25) output connectors  
 REQUIRES RETURN OF DEFECTIVE PART

*J2590-61011 New Part for J2590-69001*

J2591-69001 External JetDirect LAN interface module with ethertwist (10Base-T) and ThinLAN (10BASE-2) connectors

J2592-69001 External JetDirect LAN interface module with ethertwist (10Base-T) connector  
 REQUIRES RETURN OF DEFECTIVE PART

*J2592-61001 New Part for J2592-69001*

J2593-69001 External JetDirect LAN interface module with Ethertwist (10Base-T) and ThinLAN (10BASE-2) input connectors and 3 parallel (DB-25) output connectors - (part of J2593A)

J2594-69001 External JetDirect token ring interface module with DB-9 and RJ-45 input connectors and 3 parallel (DB-25) output connectors - (part of J2594A)  
 REQUIRES RETURN OF DEFECTIVE PART

*J2594-61011 New Part for J2594-69001*

J3258-61011 External JetDirect LAN interface module with EtherTwist (10Base-T) connector - (J3258A, J3258B)

**Optional Interfaces**

- Module**
- J4102-69011 External JetDirect LAN interface module with EtherTwist (10Base-T) connector - (J4102A, J4102B)  
REQUIRES RETURN OF DEFECTIVE PART
  - J4102-61011 *New Part for J4102-69011*

- Module (Product)**
- J4101B External JetDirect LAN interface module with EtherTwist (10Base-T/Base-TX) connector
  - J4102B External JetDirect LAN interface module with EtherTwist (10Base-T) connector

- Power Cord**
- 8120-1351 Power cord (Mint Gray) - 17 AWG, 2.3m (7.5ft) long - Has straight (F) receptacle (For 240V in the UK, Hong Kong, Singapore, Malaysia, and Brunei)
  - 8120-1369 Power cord (Mint Gray) - 17 AWG, 2.0m (6.6ft) long - Has straight (F) receptacle (For 240V in Australia, New Zealand, and China)
  - 8120-1689 Power cord (Mint Gray) - 17 AWG, 2.0m (6.6ft) long - Has straight (F) receptacle (For 220V in Europe, Bangladesh, Indonesia, Pakistan, Burma, Sri Lanka, and Vietnam)
  - 8120-2104 Power cord (Mint Gray) - 2.0m (6.6ft) long - Has straight (F) receptacle (For 220V in Switzerland)
  - 8120-2956 Power cord (Mint Gray) - 2.0m (6.6ft) long - Has straight (F) receptacle (For 220V in Denmark)
  - 8120-4753 Power cord (Flint Gray) - 18 AWG, 2.3m (7.5ft) long - Has straight (F) receptacle (For 100V in Japan)
  - 8120-6302 'Daisy chain' power cord (Dove Gray) - 18 AWG, 1.2m (4.0ft) long - Has C14 (M) plug for power input and C13 (F) plug for power output

- Power Module**
- 0950-2372 Power supply module - 100-240VAC input, 47-63Hz, requires separate AC power cord - 5VDC output, 1A, 5 watts - For J2382/83A/B
  - 0950-3169 Wall mount power supply module - 110-127V AC 57-63Hz input - 13V DC output at 300mA (USA, Canada) - For use with the J2592A external JetDirect LAN interface module
  - 0950-3170 Power supply module - 209-253VAC input, 47-53Hz - 13VDC output, 300mA (Europe, Israel) - For use with the J2592A external JetDirect LAN interface module
  - 0950-3171 Power supply module - 220-240VAC input, 47-53Hz - 13VDC output, 300mA (U.K., Hong Kong) - For use with the J2592A external JetDirect LAN interface module
  - 0950-3172 Power supply module - 240VAC input, 47-53Hz - 13VDC output, 300mA (Australia) - For use with the J2592A external JetDirect LAN interface module
  - 0950-3348 Wall mount power supply module (MEI-AH ED12006) - 110-127VAC input, 57-63Hz - 13VDC output, 800mA, 10.4 watts (for use in the United States and Canada) - For models J2590/91/93/94A, J2964A, J3258A/B, J3263/64/65A, J3282B, J4101A/B, J4102A/B
  - 0950-3349 Wall mount power supply module (MEI-AH ED12007) - 230VAC input, 47-53Hz - 13VDC output, 800mA, 10.4 watts (for use in Europe and Israel) - For JetDirect/infrared interface models J2590/91/93/94A, J2964A, J3258A/B, J3263/64/65A, J3282B, J4101A/B, J4102A/B
  - 0950-3350 Wall mount power supply module (MEI-AH ED12008) - 220-240VAC input, 47-53Hz - 13VDC output, 800mA, 10.4 watts (for use in the United Kingdom) - For JetDirect/infrared interfaces J2590/91/93/94A, J2964A, J3258A/B, J3263/64/65A, J3282B, J4101A/B, J4102A/B
  - 0950-3351 Wall mount power supply module (MEI-AH ED12009) - 220VAC input, 47-63Hz - 13VDC output, 800mA, 10.4 watts (for use in South Korea) - For JetDirect/infrared interface models J2590/91/93/94A, J2964A, J3258A/B, J3263/64/65A, J3282B, J4101A/B, J4102A/B
  - 0950-3352 Wall mount power supply module (MEI-AH ED12010) - 100VAC input, 47-63Hz - 13VDC output, 800mA, 10.4 watts (for use in Japan) - For JetDirect/infrared interface models J2590/91/93/94A, J2964A, J3258A/B, J3263/64/65A, J3282B, J4101A/B, J4102A/B
  - 0950-3354 Wall mount power supply module (MEI-AH ED12010) - 220-250VAC input, 47-53Hz - 13VDC output, 800mA, 10.4 watts (for use in South Africa) - For JetDirect/infrared interface models J2590/91/93/94A, J2964A, J3258A/B, J3263/64/65A, J3282B, J4101A/B, J4102A/B
  - 9100-5176 Wall mount power supply module (Leader Electronics 48130625HK) - 200VAC input, 48-52Hz - 13VDC output, 625mA (Hong Kong) - For JetDirect Modules and Infrared Interface Models J2590/91/93/94A, J2964A, J3258A/B, J3263/64/65A, J3282B, J4101A/B, J4102A/B
  - 0950-3350 *New Part for 9100-5176*



## Other Accessories

### Brush

107 RF5-0593-000CN Cleaning brush - For cleaning the reflecting mirror - Mounts under the top door assembly

### Cartridge

5184-5204 Black toner (EP) cartridge - With 'Micro-Fine' toner  
C3903A Black microfine toner (EP) cartridge  
C3903F Black microfine toner (EP) cartridge - For Asia Pacific only

### Kit

H3966-60001 Maintenance kit (120V) - Includes fuser assembly, separation pad, transfer roller, tray 1 and 2 pickup rollers - NOTE: replacing these parts requires the use of the service manual  
H3966-69001 Maintenance kit (120V) - Includes fuser, separation pad, transfer roller, tray 1 and 2 pickup rollers - NOTE: replacing these parts requires the use of the service manual  
*H3966-60001 New Part for H3966-69001*  
H3967-60001 Maintenance kit (220V) - Includes fuser assembly, separation pad, transfer roller, tray 1 and 2 pick-up rollers - NOTE: replacing these parts requires the use of the service manual  
H3967-69001 Maintenance kit (220V) - Includes fuser, separation pad, transfer roller, tray 1 and 2 pick-up rollers - NOTE: replacing these parts requires the use of the service manual  
*H3967-60001 New Part for H3967-69001*

### Manual

5851-1468 LaserJet printer family paper specification guide  
C3980-90914 LaserJet 6P/6MP user's manual (Korean)  
C3980-90919 LaserJet 6P/6MP user's manual (Chinese)  
C3980-90923 LaserJet 6P/6MP user's manual (Taiwan)  
C3980-90924 LaserJet 6P/6MP user's manual (Thai)  
C3980-91013 LaserJet 6P/6MP user's guide (European English)  
C3980-91014 LaserJet 6P/6MP user's manual (German)  
C3980-91015 LaserJet 6P/6MP user's manual (French)  
C3980-91016 LaserJet 6P/6MP user's manual (Italian)  
C3980-91017 LaserJet 6P/6MP user's manual (Spanish)  
C3980-91018 LaserJet 6P/6MP user's manual (Swedish)  
C3980-91019 LaserJet 6P/6MP user's manual (Norwegian)  
C3980-91020 LaserJet 6P/6MP user's manual (Danish)  
C3980-91021 LaserJet 6P/6MP user's manual (Dutch)  
C3980-91022 LaserJet 6P/6MP user's manual (Finnish)  
C3980-91023 LaserJet 6P/6MP user's manual (Portuguese)  
C3980-91024 LaserJet 6P/6MP user's manual (Turkish)  
C3980-91025 LaserJet 6P/6MP user's manual (Polish)  
C3980-91026 LaserJet 6P/6MP user's manual (Czechoslovakian)  
C3980-91027 LaserJet 6P/6MP user's manual (Hungarian)  
C3980-91028 LaserJet 6P/6MP user's manual (Cyrillic, Russian)  
C3980-91033 LaserJet 6P/6MP user's manual (French Canadian)  
C3980-91034 LaserJet 6P/6MP user's manual (Hebrew)  
C3980-91035 LaserJet 6P/6MP user's manual (Greek)  
C3980-91036 LaserJet 6P/6MP user's manual (Arabic)  
C3980-91037 LaserJet 6P/6MP user's manual on CD-ROM (English)  
C3980-91078 LaserJet 4L/4ML/4P/4MP/5P/5MP/6P/6MP combined service manual (English)  
5021-8943 LaserJet quick reference guide - Volume 1 of 2 volume set



**Other Accessories**

**Manual**

5090-3390 LaserJet quick reference guide - Volume 2 of 2 volume set

**Manual Kit**

5021-0377 HP-GL/2, PCL5 and PJP technical reference manual kit

**Software**

- C6072-60301 HP-GL/2 driver software for AutoCAD - For DOS and Windows 3.1/95/NT 4.0 - On 3.5-inch 1.44MB floppy disks (English)
- C6072-60304 HP-GL/2 driver software for AutoCAD - For DOS and Windows 3.1/95/NT 4.0 - On 3.5-inch 1.44MB floppy disks (German)
- C6072-60305 HP-GL/2 driver software for AutoCAD - For DOS and Windows 3.1/95/NT 4.0 - On 3.5-inch 1.44MB floppy disks (French)
- C6072-60306 HP-GL/2 driver software for AutoCAD - For DOS and Windows 3.1/95/NT 4.0 - On 3.5-inch 1.44MB floppy disks (Spanish)
- C6072-60307 HP-GL/2 driver software for AutoCAD - For DOS and Windows 3.1/95/NT 4.0 - On 3.5-inch 1.44MB floppy disks (Italian)

**Tool**

5062-4661 Infrared interface tool - Tests operation of infrared interface of printer host

**Training Kit**

- C3980-67904 Self paced training kit for LaserJet 4L, 4ML, 4P, 4MP, 5P, 5MP, 6P, and 6MP - Includes service manual, NTSC format videos (VHS), and five tests - Does NOT include 'LaserJet Basics' course
- C3980-67905 Self paced training kit for LaserJet 4L, 4ML, 4P, 4MP, 5P, 5MP, 6P, and 6MP - Includes service manual, PAL format videos (VHS), and five tests - Does NOT include 'LaserJet Basics' course

**Training Test**

C3980-91080 Hardware training course - Student self-paced guide and test for LaserJet 4L, 4ML, 4P, 4MP, 5P, 5MP, and 6P - Used with video tape hardware training course - 20 page booklet

**Other Internal Parts**

**Cable**

154 RG5-0766-030CN Scanner connector assembly - Scanner to DC controller board  
NO LONGER SUPPLIED

**Case**

155 RG5-2774-000CN DC controller/power supply board Case assembly - Includes plastic spring that holds cassette tray in printer & small connector board for cable from DC con/ps board

**Connector**

156 RG5-1719-000CN High voltage DC controller/power supply connector assembly

**Fan**

157 RG5-2776-000CN Fan

**Latch**

158 RB1-3002-040CN Top door latch bar (Spring loaded)

**Mirror**

159 RG5-1786-000CN Mirror assembly - Top, center of print structure

**PC Board**

160 RG5-2828-000CN Small connector board

**Shield**

161 RB1-2987-020CN High voltage shield - Has cutout for modified paper sensor arm  
NO LONGER SUPPLIED

**Spring**

162 RS5-2232-000CN Compression spring - For top cover latch bar  
NO LONGER SUPPLIED



## Paper Path Parts

### Arm

163 RB1-6006-000CN Paper input sensor arm

### Gear Assembly

164 RG5-2778-000CN Gear drive train plate assembly - 16 gears mounted on side plate

### Guide

165 RG5-1691-000CN Feeder guide assembly - Ribbed plastic plate with sensor lever

166 RG5-1694-000CN Paper guide plate - For multipurpose paper tray  
NO LONGER SUPPLIED

167 RG5-1698-020CN Upper feeder guide/roller assembly

168 RG5-1706-000CN Transfer guide assembly - Plate in front of transfer roller

### Motor

169 RG5-2786-000CN Main motor assembly

### Mount

170 RG5-0674-000CN Left mounting block - For transfer guide assembly

171 RG5-0675-000CN Right mounting block - For transfer guide assembly

### Pad

172 RF5-0343-000CN Separation pad (Rectangular) - For multipurpose tray input

### Pickup Assembly

173 RG5-2790-000CN Paper pickup assembly - Includes pickup roller assembly, guide plate, solenoid, photo sensor (PS5) photo sensor cable, and separation pad

174 RG5-2791-000CN Paper pickup roller - Includes pickup roller

175 RG5-2796-000CN Paper pickup assy - Includes D-shaped pickup roller and solenoid

### Repair Kit

5062-4662 Repair kit - For repairing broken paper cassette side support guides - Includes two bottom guides (for the paper cassette), left side support, and instructions

### Roller

177 RB1-2205-000CN Pickup roller (Oval shaped) - For multipurpose tray

178 RB1-6332-000CN Pickup roller (D-shaped) - In universal cassette pickup assembly

179 RF5-0596-000CN Transfer charge roller (Black) - Behind transfer guide assembly

180 RG5-0682-030CN Lower roller assembly (L-shaped) - For top cover output

181 RG5-0683-020CN Upper roller - Shaft with 4 rollers - For top cover output

182 RG5-1814-000CN Small media roller assembly - mounts on the bottom of the plate in the feeder guide assembly

### Solenoid

183 RH7-5162-000CN Solenoid - Engages pickup assembly for multipurpose paper tray (Tray 1)

### Spring

184 RS5-2458-000CN Compression spring - Front, left

### Static Dissipater

185 RF5-0584-000CN Static dissipator for lower feeder guide

### Stop

186 RB1-6382-000CN Stop plate (Green) - For paper length - In universal cassette

### Tray

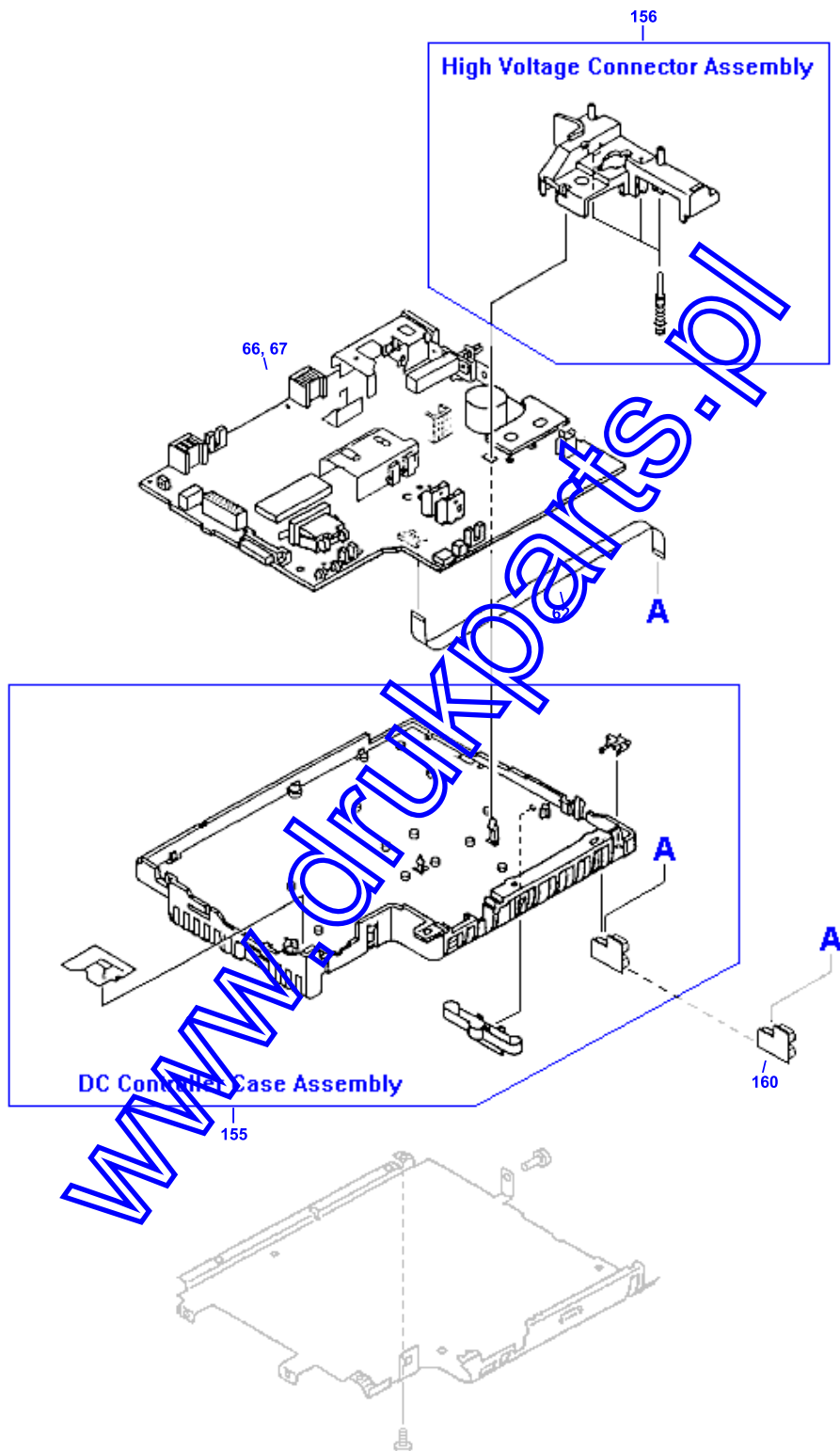
187 R98-1001-000CN Universal cassette tray (Tray 2) - Adjusts for letter, legal, Executive, and A4 paper

188 RB1-6378-000CN Legal tray extension - Rear of universal cassette - Green paper stop inserts into this part

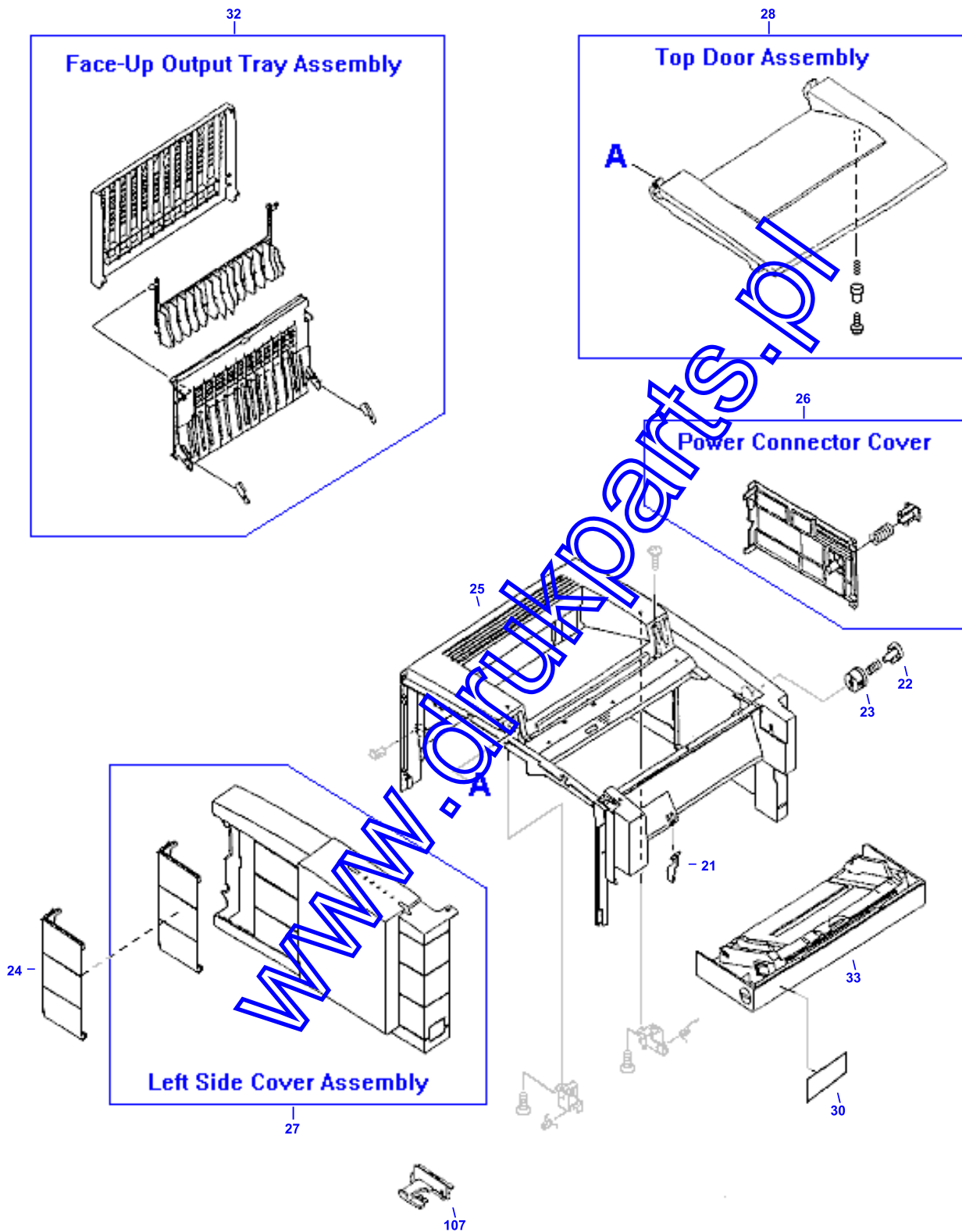
189 RF5-1366-000CN Adjustable side guide (limit panel) - For universal cassette tray



DC Controller/Power Supply Assembly

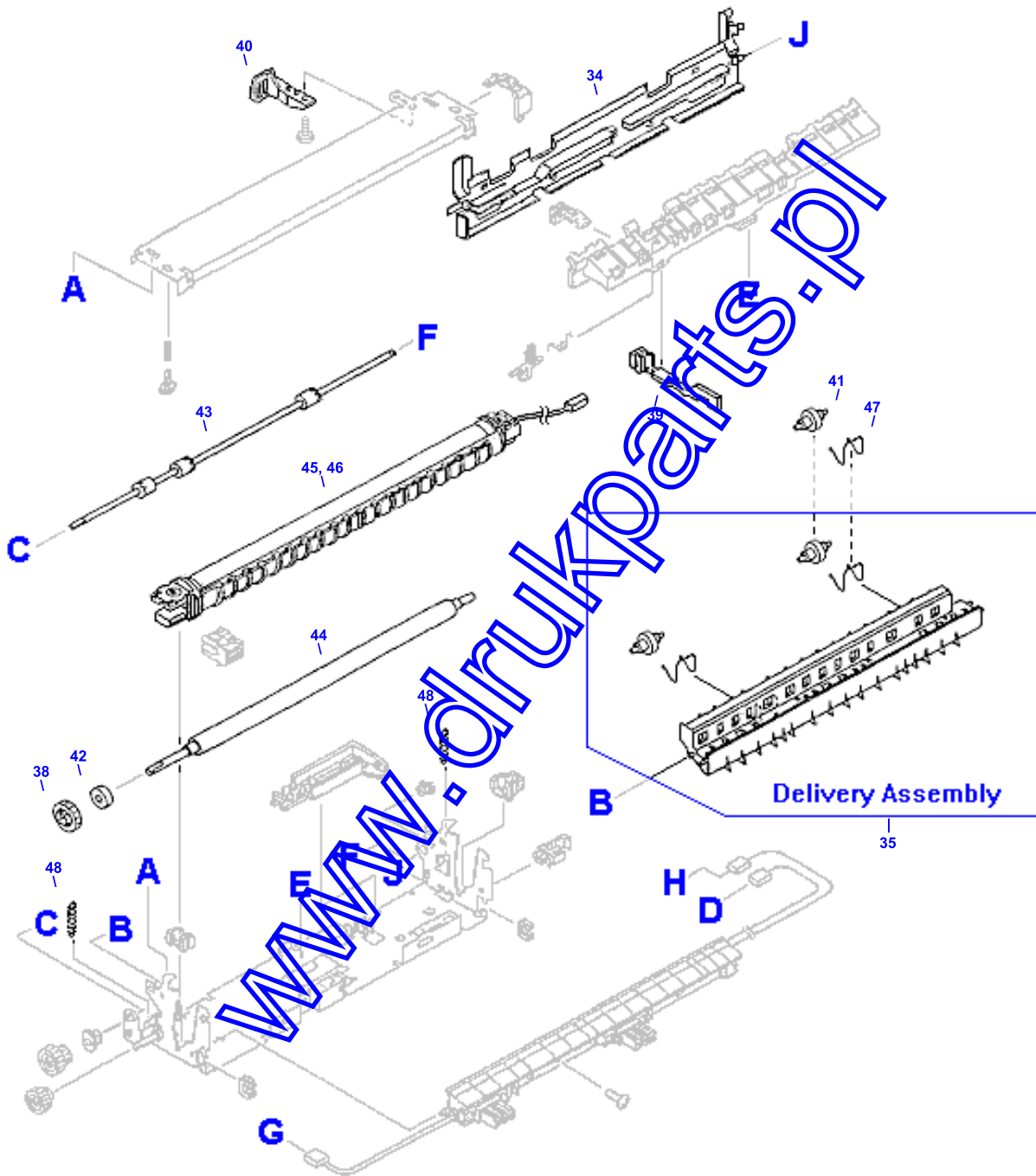


External Covers and Doors



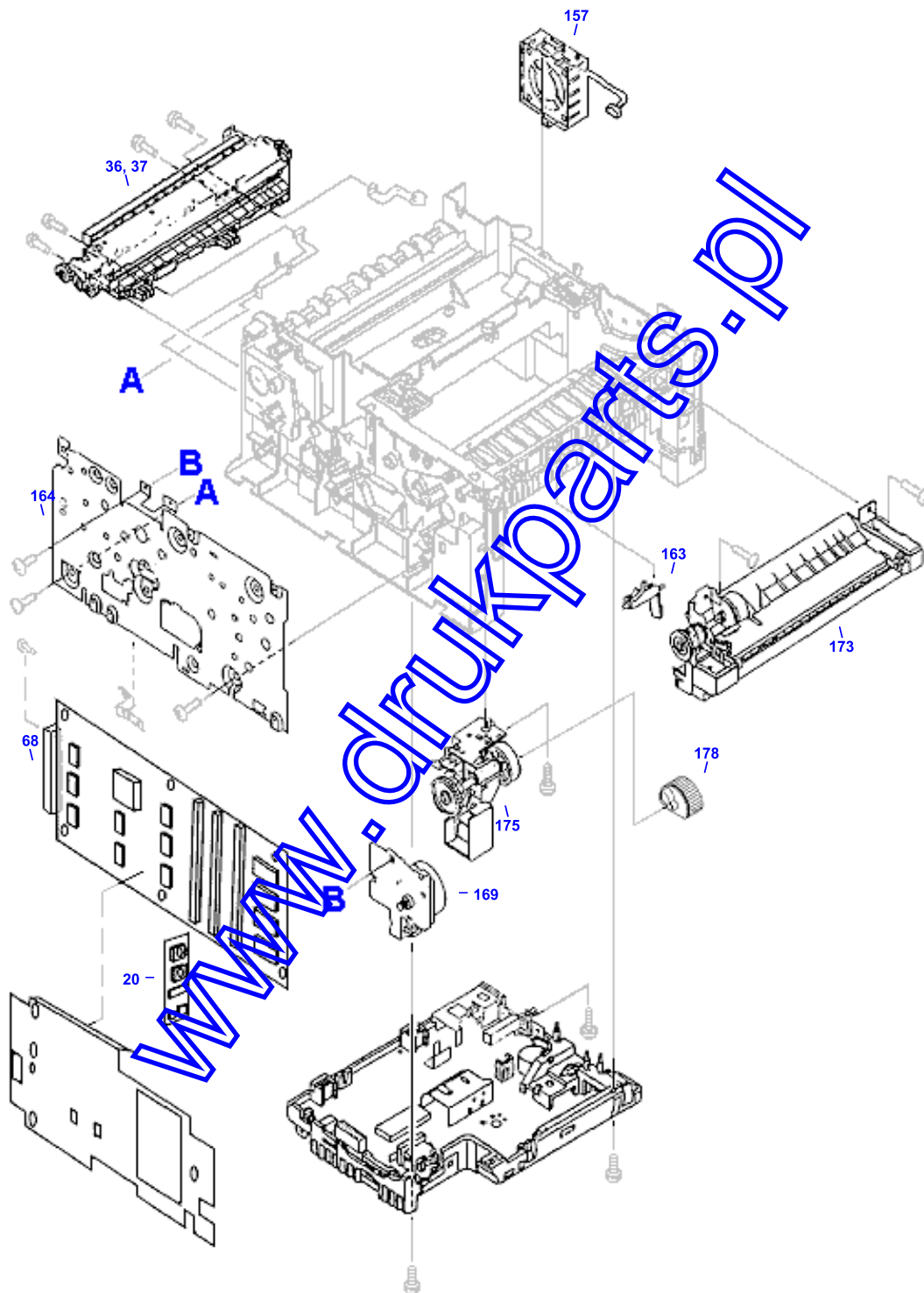
Fusing Assembly

 Fusing Assembly - 36, 37



Internal Assemblies (1 of 3)

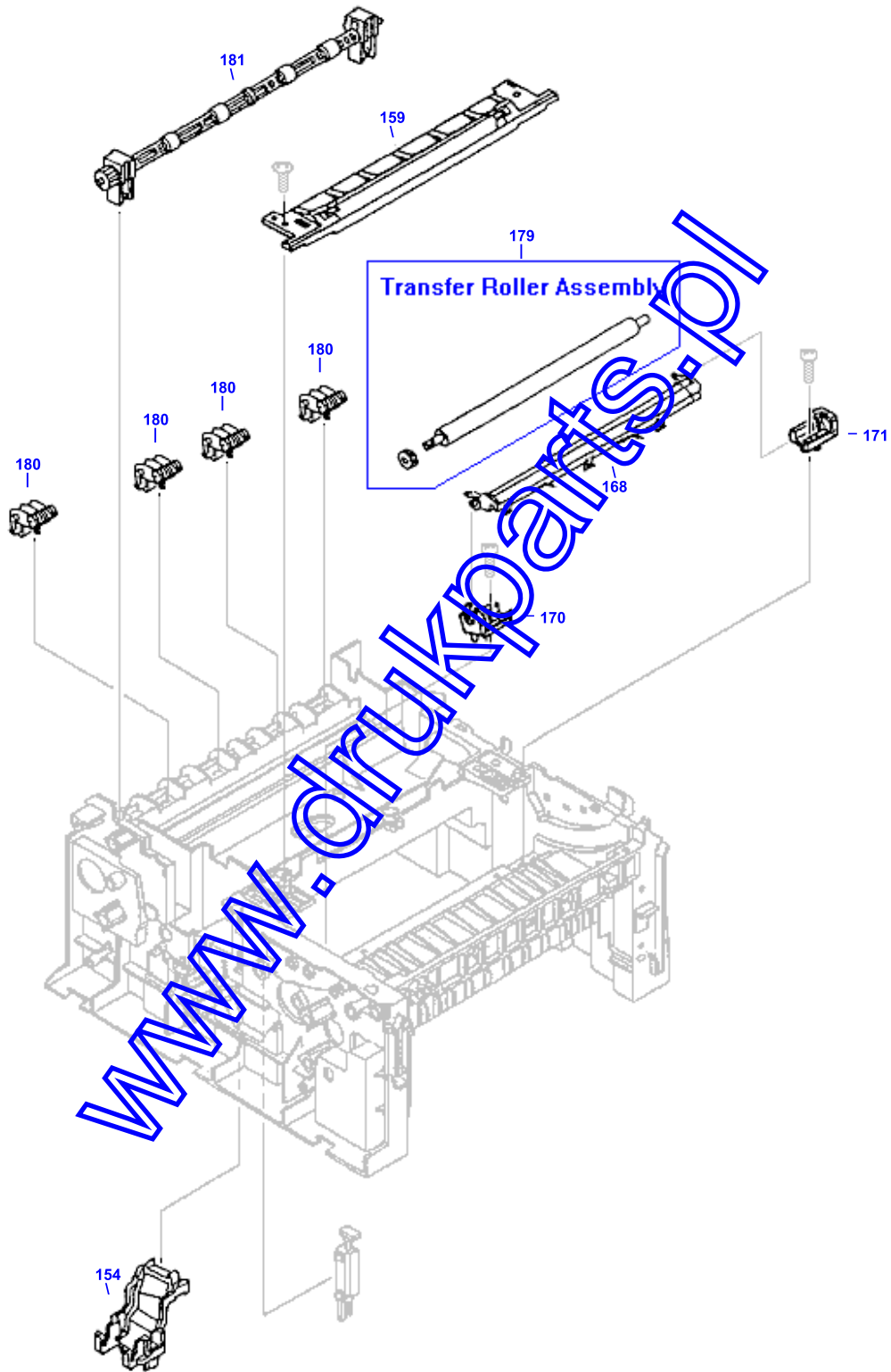
2 of 3 →



Internal Assemblies (2 of 3)

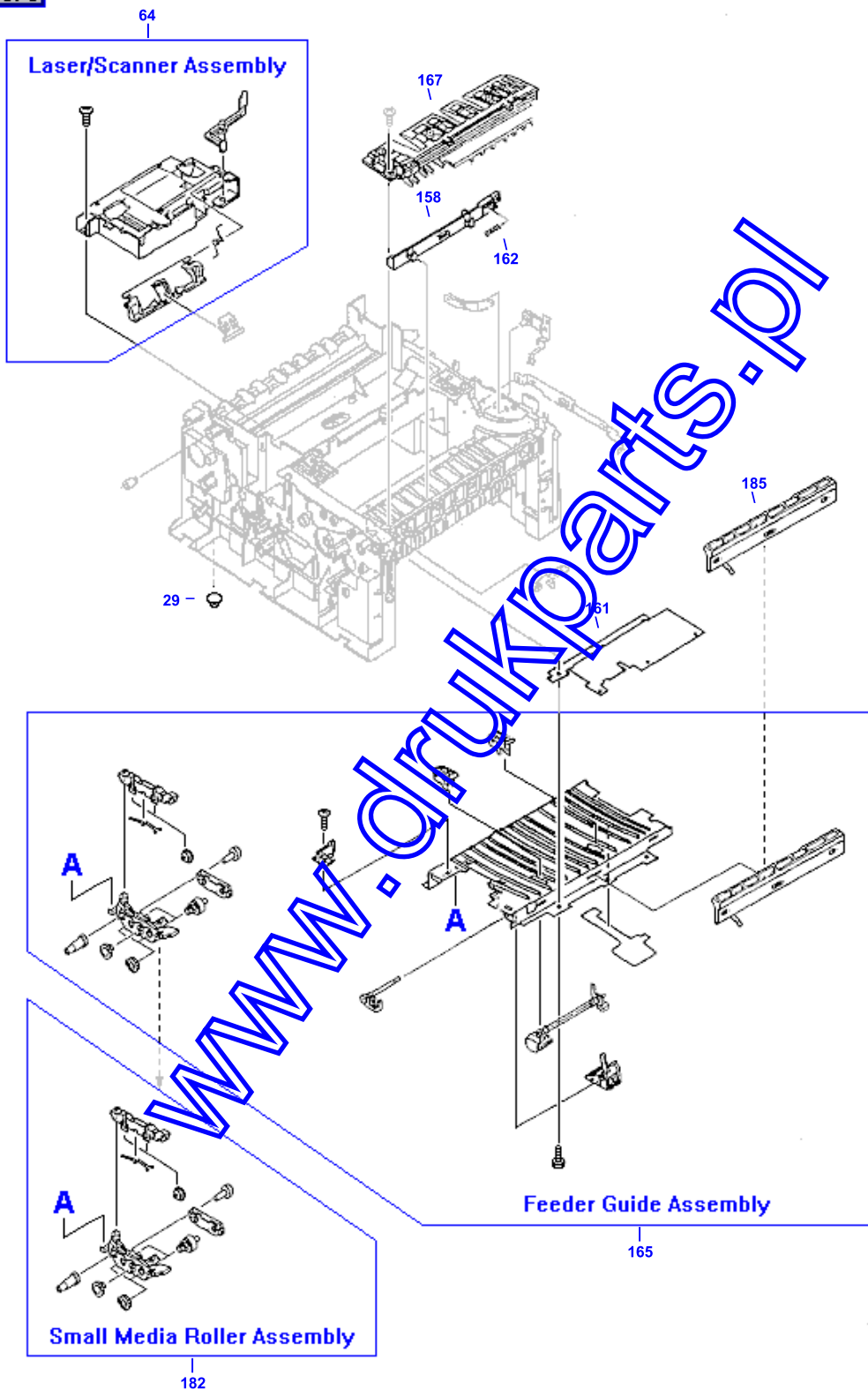
< 1 of 3

3 of 3 >



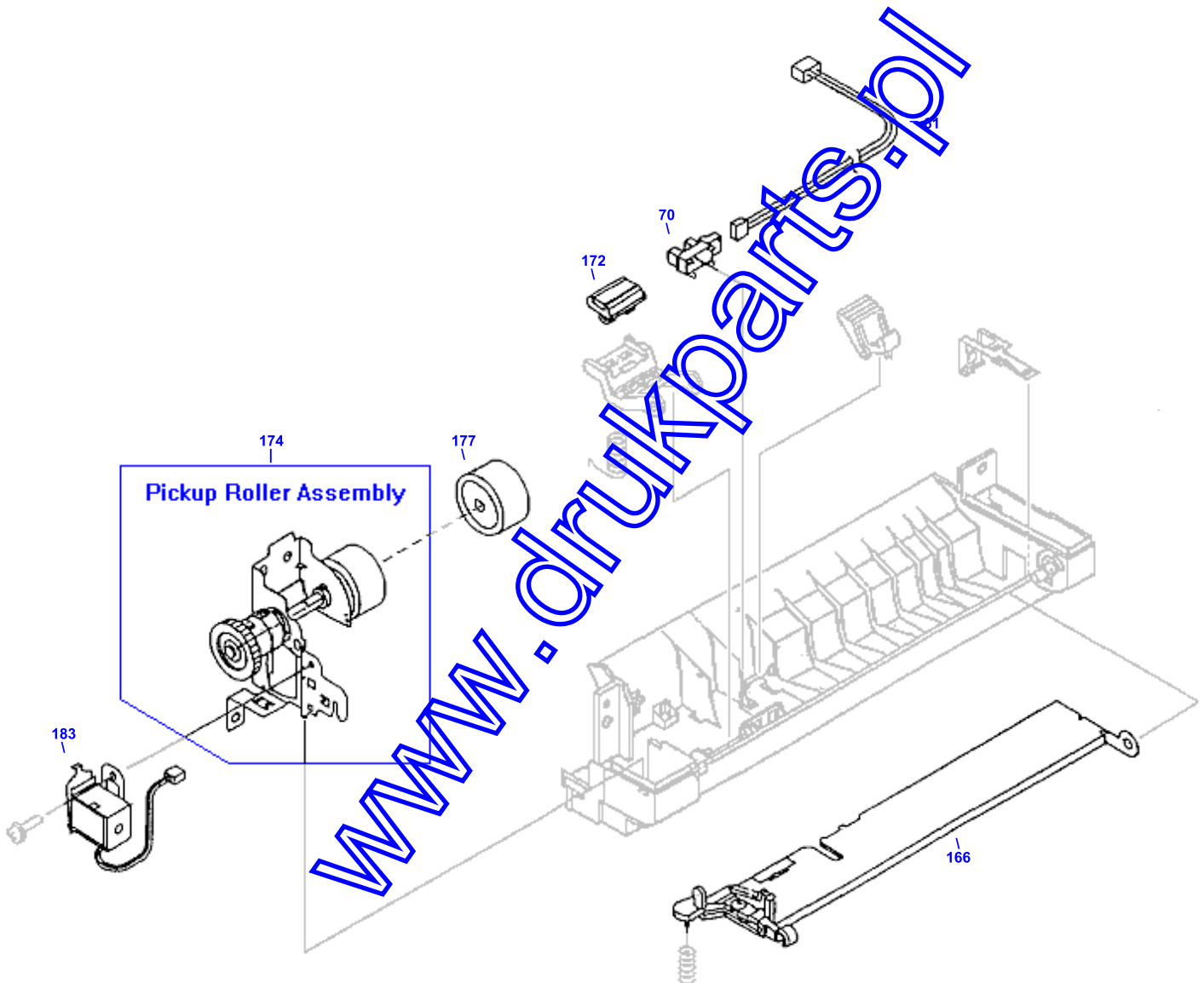
Internal Assemblies (3 of 3)

← 2 of 3



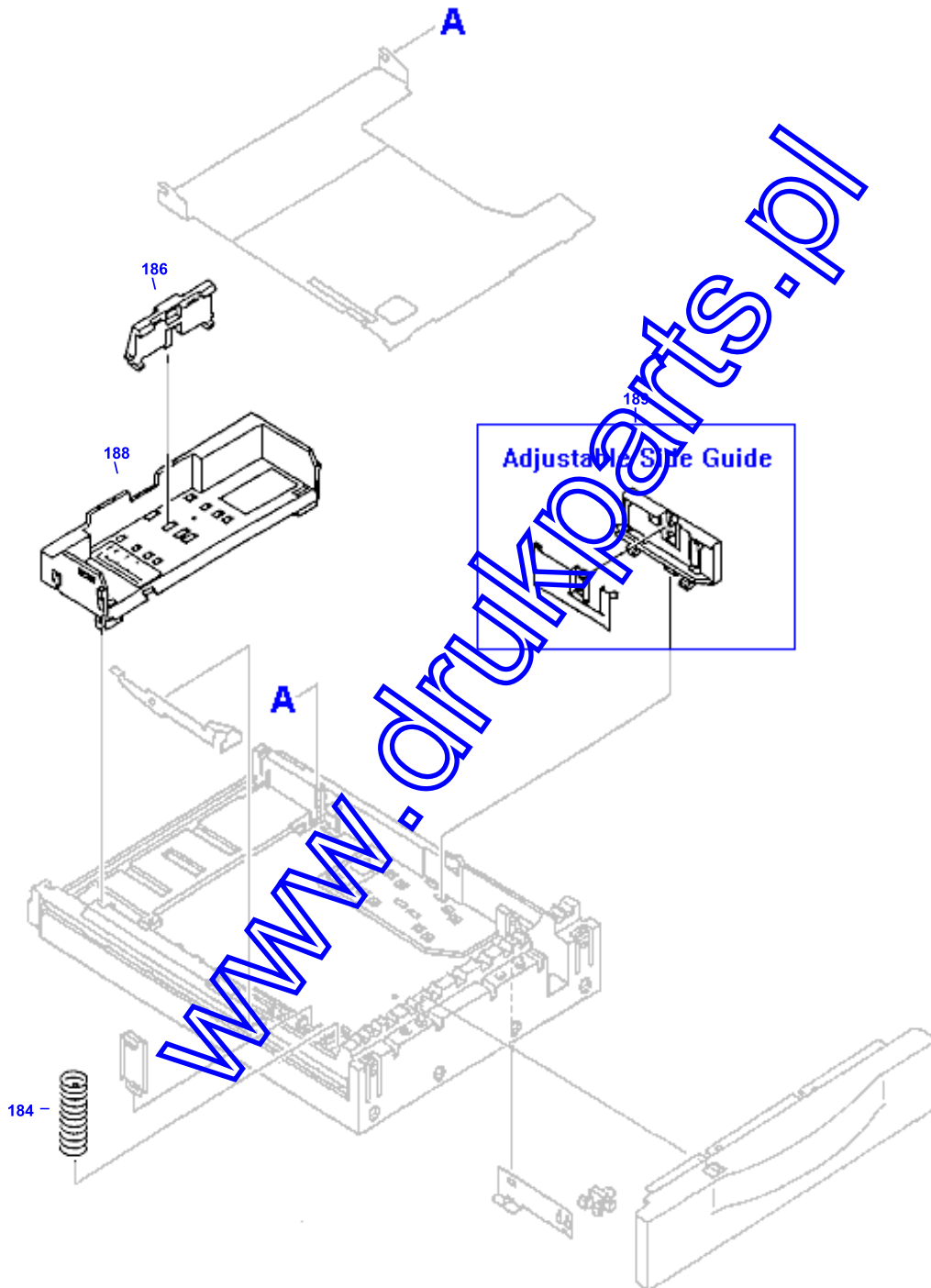
Multipurpose Tray Pickup Assembly

 Multipurpose Tray Pickup Assembly - 173



Universal Cassette Tray Assembly

■ Universal Cassette Tray Assembly - 187







**HP Parts Reference Guide**

<http://www.hp.com/go/parts>

**HP PartSurfer**

<http://partsurfer.hp.com>

**HP Parts Ordering Information**

<http://www.hp.com/go/hpparts>

**HP Parts Questions/Comments**

<http://partsurfer.hp.com/contactus.htm>

[www.drukparts.pl](http://www.drukparts.pl)