



Accessories

Cleaning Supplies

5090-3379 Toner cleaning cloth - Specially treated cloth for absorbing toner (1 per package) - Ideal for cleaning up toner spills

Delivery Assembly

Delivery

RG5-3474-020CN Delivery assembly - Attaches to the lower center area of the internal chassis - Includes four White 'multi-ridged' and two other delivery rollers and their associated springs

Guide

RG5-3478-000CN Paper guide - Inside spur assembly

RG5-3479-000CN Paper guide - Outside spur assembly

Protector

RB1-7334-000CN Jam prevention protector - Installs in the delivery assembly allows paper jams to be cleared without damaging printer

Roller

RB1-7284-000CN Delivery roller #1 - White 'Multi-ridged' roller - Four are used in delivery assembly

RB2-1685-000CN Delivery roller #2

Spring

RB1-7286-000CN Spring for #1 delivery rollers

RB1-7287-000CN Spring for the delivery rollers

Electronic Accessories

Adapter (Product)

C4109A Serial to parallel I/O adapter - Self-powered 9 to 25-pin adapter - RS-232/422 - Comes with parallel extension
NO LONGER SUPPLIED

Cable (Interface)

5063-1256 IEEE-1284 Bi-Tronics parallel cable - DB-25 (M) connector (type A) to 36 pin Centronics (M) connector (type B) - 2.0m (6.6ft) long

5063-1257 IEEE-1284 Bi-Tronics parallel cable - DB-25 (M) connector (type A) to 36 pin Centronics (M) connector (type B) - 3.0m (9.8ft) long

C2950A IEEE-1284 Bi-Tronics parallel cable - DB-25 (M) connector (type A) to 36 pin Centronics (M) connector (type B) - 2.0m (6.6ft) long

5063-1256 *New Part for C2950A*

C2951A IEEE-1284 Bi-Tronics parallel cable - DB-25 (M) connector (type A) to 36 pin Centronics (M) connector (type B) - 3.0m (9.8ft) long

C2990A IEEE-1284 Bi-Tronics parallel cable - DB-25 (M) (type A) to 36 pin (M) Centronics (type B) - 1.8m (6ft) long
NO LONGER SUPPLIED

C2991A IEEE-1284 Bi-Tronics parallel cable - DB-25 (M) (type A) to 36 pin (M) Centronics (type B) - 3.0m (10ft) long
NO LONGER SUPPLIED

Fax

C2971A HP PrinterPal accessory - Adds (External) fax capabilities to the LaserJet printer
NO LONGER SUPPLIED

Kit

H3972-60001 Maintenance Kit - 120V - Most common wear parts - Includes, transfer roller, pickup roller, separation pad, idler roller assembly, and fusing assembly - Procedure requires service manual

Memory (Product)

C3148A 4MB DRAM Jeida memory module - For HP LaserJet 4LC, 5L, 6L

C3938A 2MB DRAM memory module - For HP LaserJet 4LC, 5L
NO LONGER SUPPLIED

C3939A 2MB DRAM Jeida memory module - For HP LaserJet 4LC, 5L
NO LONGER SUPPLIED



Electronic Accessories

Memory Module

C3148-67901	4MB DRAM JEIDA memory module - For LaserJets - (C3148A)
C3938-67901	2MB DRAM JEIDA memory module - For LaserJets - (C3938A)
C3939-67901	1MB DRAM JEIDA memory module - For LaserJets

External Case Parts

Cover

25	RB1-7321-000CN	Memory expansion cover (Door)
26	RB1-7333-000CN	Back cover - Has cut-outs for interface and power connectors
27	RB2-1639-000CN	Memory expansion cover (Door)
28	RG5-3443-000CN	Main top cover - Does NOT include the paper input assemblies

Door

29	RF5-2352-000CN	EP (Toner) door assembly - Fold forward door
----	----------------	--

Extender

30	RB1-7326-000CN	Large paper output extender - Does NOT include smaller extender NO LONGER SUPPLIED
31	RB1-7331-000CN	Small paper output extender
32	RB2-1637-000CN	Large paper input extender - Does NOT include smaller extender
33	RB2-1638-000CN	Small paper input extender

Faceplate

34	RB1-7305-000CN	I/O faceplate - For parallel connector
----	----------------	--

Nameplate/Logo

35	RB2-1641-000CN	Nameplate - LaserJet 6L
----	----------------	-------------------------

Switch

36	RB2-1644-000CN	Face-up/face-down selection switch
----	----------------	------------------------------------

Tray

37	RG5-3488-000CN	Input bin assembly - Paper input supply bin
38	RG5-3491-000CN	Single sheet input slot - Manual feed tray

Internal Components

Laser/Scanner

39	RG5-3497-000CN	Laser/scanner assembly
----	----------------	------------------------

Labels and Transparencies

Film (Transparency)

92296U	LaserJet printer transparency film - A4 size (21.0cm x 29.7cm) - 50 sheets per box
92296T	LaserJet printer transparency film - A size (8.5 x 11-inches) - 50 sheets per box

Labels

92296A	LaserJet printer addressing labels - 2.54cm (1.00in) x 6.67cm (2.63in) labels - 30 per sheet - 100 sheets per box NO LONGER SUPPLIED
92296B	LaserJet printer addressing labels - 3.38cm (1.33in) x 10.2cm (4.00in) labels - 14 per sheet - 100 sheets per box NO LONGER SUPPLIED
92296C	LaserJet printer addressing labels - 2.54cm (1.00in) x 10.2cm (4.00in) labels - 20 per sheet - 100 sheets per box NO LONGER SUPPLIED
92296D	LaserJet printer addressing/shipping labels - 5.08cm (2.00in) x 10.2cm (4.00in) labels - 10 per sheet - 100 sheets per box NO LONGER SUPPLIED
92296E	LaserJet printer shipping labels - 8.47cm (3.33in) x 10.2cm (4.00in) labels - Six per sheet - 100 sheets per box NO LONGER SUPPLIED



Labels and Transparencies

Labels

92296F	LaserJet printer return address labels - 1.27cm (0.50in) x 4.45cm (1.75in) labels - 80 per sheet - 25 sheets per box NO LONGER SUPPLIED
92296G	LaserJet printer file folder labels - 1.69cm (0.67in) x 8.73cm (3.44in) labels - 30 per sheet - 25 sheets per box NO LONGER SUPPLIED
92296H	LaserJet printer labels for 3.5-inch diskettes - 7.00cm (2.75in) x 7.00cm (2.75in) labels - Nine per sheet - 70 sheets per box NO LONGER SUPPLIED
92296J	LaserJet printer labels for 5.25-inch diskettes - 3.81cm (1.50in) x 10.2cm (4.00in) labels - 12 per sheet - 70 sheets per box NO LONGER SUPPLIED
92296K	LaserJet printer full sheet label - A size (8.5 x 11-inches) label - One per sheet - 100 sheets per box NO LONGER SUPPLIED

Logic/Control Electronics

Cable

52	RG5-2029-000CN	Cable - From connector J202 on DC controller board to paper registration and paper-out photosensors (PS203 and PS202)
53	RG5-2032-000CN	Cable - From connector J206 on DC controller board to fusing assembly
54	RG5-2033-000CN	Motor cable - From connector J401 on DC controller board to main motor
55	RG5-2035-000CN	Laser cable - From connector J208 on DC controller board to laser unit (Laser driver/beam detect circuitry)
56	RG5-2037-000CN	Door switch cable - From connector J305 on DC controller board to switch 101
57	RG5-3499-000CN	Cable - From control panel to formatter board
58	RG5-3661-000CN	Scanner cable - From connector J207 on DC controller board to scanner motor
59	RG5-3662-000CN	Door switch cable - From connector J209 on DC controller board to door closed/toner cartridge installed sensor (PS204)

Control Panel

60	RG5-2028-000CN	Control panel - Small board on left side of printer
----	----------------	---

PC Board

61	C3991-60001	Formatter board - Has Bi-Tronics interface connector on board
----	-------------	---

Optional Interfaces

Interface (Module)

J4101-61011	External JetDirect 300X print server module (10Base-T and 100Base-T) - Connects between printer parallel port and LAN network - Does NOT include power module - (J4101A, J4101B)
-------------	--

Interface (Product)

J2590A	External JetDirect LAN interface module with RJ-45 connector for EtherTwist (10Base-T) or 100VG/802.12 input and 3 parallel (DB-25) output connectors NO LONGER SUPPLIED
J2591A	External JetDirect LAN interface module and power module - Has EtherTwist (10Base-T) and ThinLAN (10Base-2) connectors NO LONGER SUPPLIED
J3258B	External JetDirect 400X LAN interface module - Interfaces a parallel printer to an ethernet 10Base-T (RJ-45) LAN
J3264A	External JetDirect 500X token ring interface module - Interfaces up to 3 parallel printers to a token ring (DB-9 or RJ-45) LAN
J3265A	External JetDirect 500X LAN interface module - Interfaces up to 3 parallel printers to an ethernet 10Base-T (RJ-45), 10Base2 (BNC), or 100Base-TX (RJ-45) LAN

Module

J2382-69003	External JetDirect LAN interface module with ethertwist (10Base-T) and ThinLAN (10BASE-2) connectors
J2383-61005	External token ring interface module - Has DB-9 connector
J2590-69001	External JetDirect LAN interface module with RJ-45 connector for ethertwist (10Base-T) or 100VG/802.12 input and 3 parallel (DB-25) output connectors REQUIRES RETURN OF DEFECTIVE PART
J2590-61011	<i>New Part for J2590-69001</i>

Optional Interfaces
Module

J2591-69001	External JetDirect LAN interface module with ethertwist (10Base-T) and ThinLAN (10BASE-2) connectors
J2592-69001	External JetDirect LAN interface module with ethertwist (10Base-T) connector REQUIRES RETURN OF DEFECTIVE PART
J2592-61001	<i>New Part for J2592-69001</i>
J2593-69001	External JetDirect LAN interface module with Ethertwist (10Base-T) and ThinLAN (10BASE-2) input connectors and 3 parallel (DB-25) output connectors - (part of J2593A)
J2594-69001	External JetDirect token ring interface module with DB-9 and RJ-45 input connectors and 3 parallel (DB-25) output connectors - (part of J2594A) REQUIRES RETURN OF DEFECTIVE PART
J2594-61011	<i>New Part for J2594-69001</i>
J3258-61011	External JetDirect LAN interface module with EtherTwist (10Base-T) connector - (J3258A, J3258B)
J4102-69011	External JetDirect LAN interface module with EtherTwist (10Base-T) connector - (J4102A, J4102B) REQUIRES RETURN OF DEFECTIVE PART
J4102-61011	<i>New Part for J4102-69011</i>

Module (Product)

J4101B	External JetDirect LAN interface module with EtherTwist (10Base-T) connector
J4102B	External JetDirect LAN interface module with EtherTwist (10Base-T) connector

Power Cord

8120-1351	Power cord (Mint Gray) - 17 AWG, 2.3m (7.5ft) long - Has straight (F) receptacle (For 240V in the UK, Hong Kong, Singapore, Malaysia, and Brunei)
8120-1369	Power cord (Mint Gray) - 17 AWG, 2.0m (6.6ft) long - Has straight (F) receptacle (For 240V in Australia, New Zealand, and China)
8120-1689	Power cord (Mint Gray) - 17 AWG, 2.0m (6.6ft) long - Has straight (F) receptacle (For 220V in Europe, Bangladesh, Indonesia, Pakistan, Burma, Sri Lanka, and Vietnam)
8120-2104	Power cord (Mint Gray) - 2.0m (6.6ft) long - Has straight (F) receptacle (For 220V in Switzerland)
8120-2956	Power cord (Mint Gray) - 2.0m (6.6ft) long - Has straight (F) receptacle (For 220V in Denmark)
8120-4753	Power cord (Flint Gray) - 18 AWG, 2.3m (7.5ft) long - Has straight (F) receptacle (For 100V in Japan)
8120-6302	'Daisy chain' power cord (Dove Gray) - 18 AWG, 1.2m (4.0ft) long - Has C14 (M) plug for power input and C13 (F) plug for power output

Power Module

0950-2372	Power supply module - 100-240VAC input, 47-63Hz, requires separate AC power cord - 5VDC output, 1A, 5 watts - For J2382/83A/B
0950-3169	Wall mount power supply module - 110-127V AC 57-63Hz input - 13V DC output at 300mA (USA, Canada) - For use with the J2592A external JetDirect LAN interface module
0950-3170	Power supply module - 200-250VAC input, 47-53Hz - 13VDC output, 300mA (Europe, Israel) - For use with the J2592A external JetDirect LAN interface module
0950-3171	Power supply module - 220-240VAC input, 47-53Hz - 13VDC output, 300mA (U.K., Hong Kong) - For use with the J2592A external JetDirect LAN interface module
0950-3172	Power supply module - 240VAC input, 47-53Hz - 13VDC output, 300mA (Australia) - For use with the J2592A external JetDirect LAN interface module
0950-3348	Wall mount power supply module (MEI-AH ED12006) - 110-127VAC input, 57-63Hz - 13VDC output, 800mA, 10.4 watts (for use in the United States and Canada) - For models J2590/91/93/94A, J2964A, J3258A/B, J3263/64/65A, J3282B, J4101A/B, J4102A/B
0950-3349	Wall mount power supply module (MEI-AH ED12007) - 230VAC input, 47-53Hz - 13VDC output, 800mA, 10.4 watts (for use in Europe and Israel) - For JetDirect/infrared interface models J2590/91/93/94A, J2964A, J3258A/B, J3263/64/65A, J3282B, J4101A/B, J4102A/B
0950-3350	Wall mount power supply module (MEI-AH ED12008) - 220-240VAC input, 47-53Hz - 13VDC output, 800mA, 10.4 watts (for use in the United Kingdom) - For JetDirect/infrared interfaces J2590/91/93/94A, J2964A, J3258A/B, J3263/64/65A, J3282B, J4101A/B, J4102A/B
0950-3351	Wall mount power supply module (MEI-AH ED12009) - 220VAC input, 47-63Hz - 13VDC output, 800mA, 10.4 watts (for use in South Korea) - For JetDirect/infrared interface models J2590/91/93/94A, J2964A, J3258A/B, J3263/64/65A, J3282B, J4101A/B, J4102A/B



Optional Interfaces

Power Module

0950-3352	Wall mount power supply module (MEI-AH ED12010) - 100VAC input, 47-63Hz - 13VDC output, 800mA, 10.4 watts (for use in Japan) - For JetDirect/infrared interface models J2590/91/93/94A, J2964A, J3258A/B, J3263/64/65A, J3282B, J4101A/B, J4102A/B
0950-3354	Wall mount power supply module (MEI-AH ED12010) - 220-250VAC input, 47-53Hz - 13VDC output, 800mA, 10.4 watts (for use in South Africa) - For JetDirect/infrared interface models J2590/91/93/94A, J2964A, J3258A/B, J3263/64/65A, J3282B, J4101A/B, J4102A/B
9100-5176	Wall mount power supply module (Leader Electronics 48130625HK) - 200VAC input, 48-52Hz - 13VDC output, 625mA (Hong Kong) - For JetDirect Modules and Infrared Interface Models J2590/91/93/94A, J2964A, J3258A/B, J3263/64/65A, J3282B, J4101A/B, J4102A/B
0950-3350	<i>New Part for 9100-5176</i>

Other Accessories

Cartridge

C3903F	Black microfine toner (EP) cartridge - For Asia Pacific only
C3906A	Black (Micro-Fine) toner (EP) cartridge - Will print approximately 2,500 pages based on a 5 percent print density

Lubricant

CK-8006-000CN	Grease
---------------	--------

Manual

5851-1468	LaserJet printer family paper specification guide
C3990-90901	LaserJet 6L printer user's manual (English)
C3990-90902	LaserJet 6L printer user's manual (French)
C3990-90903	LaserJet 6L printer user's manual (Italian)
C3990-90904	LaserJet 6L printer user's manual (German)
C3990-90905	LaserJet 6L printer user's manual (Spanish)
C3990-90906	LaserJet 6L printer user's manual (Dutch)
C3990-90907	LaserJet 6L printer user's manual (Danish)
C3990-90908	LaserJet 5L printer user's manual (Finnish)
C3990-90909	LaserJet 6L printer user's manual (Norwegian)
C3990-90910	LaserJet 6L printer user's manual (Swedish)
C3990-90911	LaserJet 6L printer user's manual (Portuguese)
C3990-90912	LaserJet 6L printer user's manual (Polish)
C3990-90913	LaserJet 6L printer user's manual (Turkish)
C3990-90914	LaserJet 6L user's manual (Traditional Chinese, Taiwan)
C3990-90915	LaserJet 6L printer user's manual (Korean)
C3990-90916	LaserJet 6L printer user's manual (Russian)
C3990-90917	LaserJet 6L printer user's manual (Hungarian)
C3990-90918	LaserJet 6L printer user's manual (Czechoslovakian)
C3990-90919	LaserJet 6L user's manual (Simplified Chinese)
C3990-90920	LaserJet 6L printer user's manual (Thai)
C3990-90923	LaserJet 6L user's manual (Saudi Arabia)
C3990-90924	LaserJet 6L user's manual (Hebrew)
C3990-90925	LaserJet 6L user's manual (Greek)
C3990-90926	LaserJet 6L printer user's manual (Japanese)
C3990-90991	LaserJet 5L and 6L service manual
5021-8943	LaserJet quick reference guide - Volume 1 of 2 volume set
5090-3390	LaserJet quick reference guide - Volume 2 of 2 volume set



Other Accessories

Manual Kit

5021-0377 HP-GL/2, PCL5 and PJL technical reference manual kit

Software

C6072-60301 HP-GL/2 driver software for AutoCAD - For DOS and Windows 3.1/95/NT 4.0 - On 3.5-inch 1.44MB floppy disks (English)

C6072-60304 HP-GL/2 driver software for AutoCAD - For DOS and Windows 3.1/95/NT 4.0 - On 3.5-inch 1.44MB floppy disks (German)

C6072-60305 HP-GL/2 driver software for AutoCAD - For DOS and Windows 3.1/95/NT 4.0 - On 3.5-inch 1.44MB floppy disks (French)

C6072-60306 HP-GL/2 driver software for AutoCAD - For DOS and Windows 3.1/95/NT 4.0 - On 3.5-inch 1.44MB floppy disks (Spanish)

C6072-60307 HP-GL/2 driver software for AutoCAD - For DOS and Windows 3.1/95/NT 4.0 - On 3.5-inch 1.44MB floppy disks (Italian)

Training Kit

C3990-67915 Self paced training kit for LaserJet 5L, 5L-FS, 6L printers - NTSC format video (VHS)

C3990-67916 Self paced training kit for LaserJet 5L, 5L-FS, 6L printers - PAL format video (VHS)

Training Test

C3990-60184 Additional self paced training test - Contains 1 test for LaserJet 5L, 6L - Contains NTSC training video

Other Internal Parts

Gear Assembly

138 RY7-5007-000CN Fuser release assembly - Gear/tab assembly on left side of internal main chassis - Includes housing, 2 gears, fuser release tab

Guide

139 RB1-7109-000CN Guide - For memory expansion cover (Door)

Holder

140 RB1-7107-000CN Gear holder - For gear kit #1

Interlock

141 RG5-3453-000CN Interlock assembly - Detects if EP (Toner) door is open

Plate

142 RB2-1632-000CN Gear support plate - For gear kit #2

Tab

143 RB1-7105-000CN Fuser release lever - Part of fuser release assembly

Paper Path Parts

Arm

144 RB1-7293-000CN Paper exit sensor arm - Springs NOT included

Bushing

145 RB1-7184-000CN Pickup roller bushing

146 RB1-7246-000CN Pressure roller bushing

147 RB1-7288-020CN Exit roller bushing

Clip

148 RB1-7223-000CN Pickup roller shaft grounding clip

Clutch

149 RB1-7197-000CN Clutch

Connector

150 VS1-5057-002CN SL2/Tray 2 solenoid electrical connector



Paper Path Parts

Door

RF5-1501-030CN Main front door that is attached to the multipurpose input tray

Feed Assembly

152 RG5-3485-030CN Feed assembly - Has idler roller, sensor flag and paper input sensor

Frame

153 RB1-7177-000CN Paper feed frame - Main frame that parts such as pickup roller assembly and separation pad are installed on

Fusing Assembly

154 5182-2809 Heating element assembly (For 220V to 240V operation) - Bonds toner to paper by heat - In quantity price break packaging (Contains 5 New assemblies)
NO LONGER SUPPLIED

155 5182-2810 Heating element assembly (For 220V to 240V operation) - Bonds toner to paper by heat - In quantity price break packaging (Contains 10 New assemblies)

156 RG5-3459-040CN Heating element assembly (For 100V to 120V operation) - Bonds toner to paper by heat

157 RG5-3463-000CN Heating element assembly (For 220V to 240V operation) - Bonds toner to paper by heat

Gear

158 RS5-0796-000CN Pressure roller shaft gear

159 RY7-5005-000CN Gear kit - Includes first five gears on front left side area of the internal chassis - Gear kit #1

Gear Assembly

160 RY7-5036-000CN Gear kit '#3' - Includes first four gears driven by main motor

Guide

161 RB1-7176-000CN Sheet guide - Mylar strip paper guide

162 RB1-7247-000CN Fuser paper guide

163 RB1-7341-000CN Right side toner cartridge guide

164 RF5-1514-000CN Left side toner cartridge guide - Back half of guide

165 RF5-1515-000CN Right side toner cartridge guide - Back half of guide

166 RF5-1533-000CN Pressure roller ground guide - Protects pressure roller ground cable

167 RF5-2358-000CN Transfer roller guide

168 RG5-3452-000CN Transfer guide

Leg

169 RB1-7185-000CN Left leg - Small leg on left side of paper kick plate

170 RB1-7186-000CN Right leg - Small leg on right side of paper kick plate

Motor

171 RH7-1320-000CN Main motor

Pad

172 RY7-5077-000CN Printer separation pad kit - Includes main pad, spring, and two smaller subpads - Also order pickup roller assembly

Plate

173 RF5-1517-000CN Fuser pressure plate - Guides paper over fuser roller

174 RF5-2372-000CN Paper kick plate (Middle)

Roller

175 RB2-1699-000CN Idler roller for feed assembly

176 RF5-1534-000CN Transfer roller - Located underneath toner (EP) cartridge

177 RF5-2364-000CN Pressure roller - Shaft/roller with gear on left side of roller located underneath the heating element

178 RF5-2367-000CN Exit roller assembly - Shaft with four black rollers - Rollers are aligned with and work in conjunction with the white 'Multi-ridged' rollers of the delivery assembly

179 RG5-3486-040CN Pickup roller assembly - Shaft/roller assy that feeds paper from paper input assemblies - Also order separation pad kit

**Paper Path Parts****Sensor**

180 RY7-5009-000CN Paper sensor flag/arm - Detects leading and trailing edges of paper

Shaft

181 RG5-1947-000CN Idler roller shaft assembly - Includes spring and gears on left end of shaft

Solenoid

182 RH7-5139-000CN Paper pickup solenoid

Spring

183 RS5-2501-000CN Paper kick plate spring

Strap

184 RB1-7129-000CN Case grounding strap (metal)

Support

185 RB1-7255-000CN Left side pressure roller support

186 RB1-7256-000CN Right side pressure roller support

Tray Fin

RB1-7332-000CN Output tray fin - Added to output tray to reduce possibility of accordion paper jams at fuser roller - Replaced by EP (Toner) door assembly
NO LONGER SUPPLIED

RF5-1501-030CN *New Part for RB1-7332-000CN*

Power Supplies and Parts**Power Cord**

8120-1351 Power cord (Mint Gray) - 17 AWG, 2.3m (7.5ft) long - Has straight (F) receptacle (For 240V in the UK, Hong Kong, Singapore, Malaysia, and Brunei)

8120-1369 Power cord (Mint Gray) - 17 AWG, 2.0m (6.6ft) long - Has straight (F) receptacle (For 240V in Australia, New Zealand, and China)

8120-1378 Power cord (Jade Gray) - 18 AWG, 2.3m (7.5ft) long - Has straight (F) receptacle (For 120V in USA, Canada, Latin America, Korea, Taiwan, Thailand, Spain, Brazil, and Vietnam)

8120-1689 Power cord (Mint Gray) - 17 AWG, 2.0m (6.6ft) long - Has straight (F) receptacle (For 220V in Europe, Bangladesh, Indonesia, Pakistan, Burma, Sri Lanka, and Vietnam)

8120-2104 Power cord (Mint Gray) - 2.0m (6.6ft) long - Has straight (F) receptacle (For 220V in Switzerland)

8120-2956 Power cord (Mint Gray) - 2.0m (6.6ft) long - Has straight (F) receptacle (For 220V in Denmark)

8120-4211 Power cord (Mint Gray) - 17 AWG, 2.0m (6.6ft) long - Has straight (F) receptacle (For 240V in South Africa and India)

Power Supply

195 RG5-3506-000CN DC controller/power supply board - 120VAC

196 RG5-3768-000CN DC controller/power supply board - 240VAC

Separation Guide Assembly**Bushing**

197 RB2-1690-000CN Fuser exit roller bushing

Guide

RG5-3475-000CN Separation guide assembly - Includes the face-up/face-down paper selection lever/deflector and fuser exit roller assembly

Lever Assembly

199 RG5-3476-000CN Face-up/face-down shaft and media deflector

Roller

200 RF5-2368-000CN Fuser exit roller assembly - Shaft and rollers - Attaches to separation guide assembly



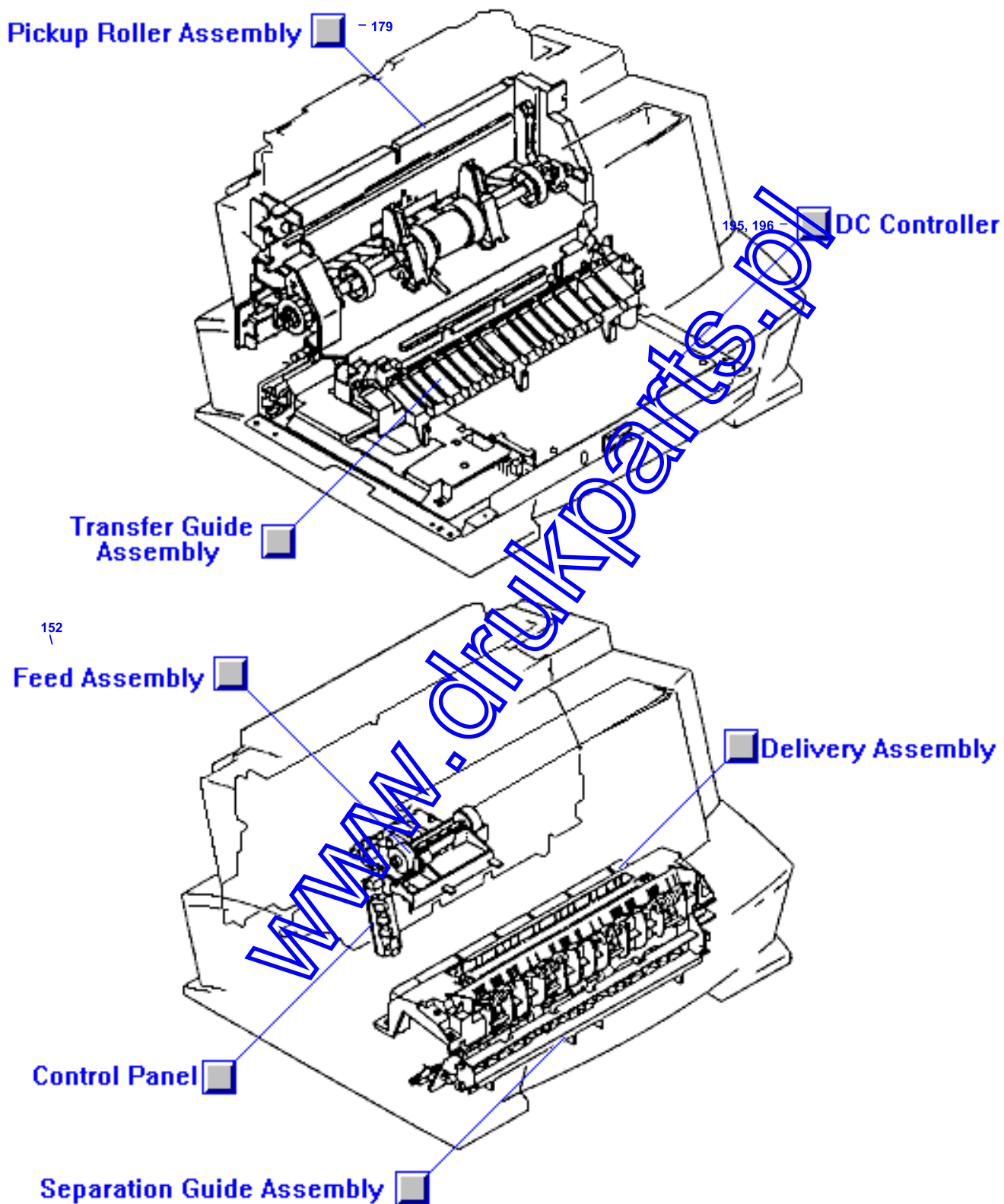
Seperation Guide Assembly

Spring

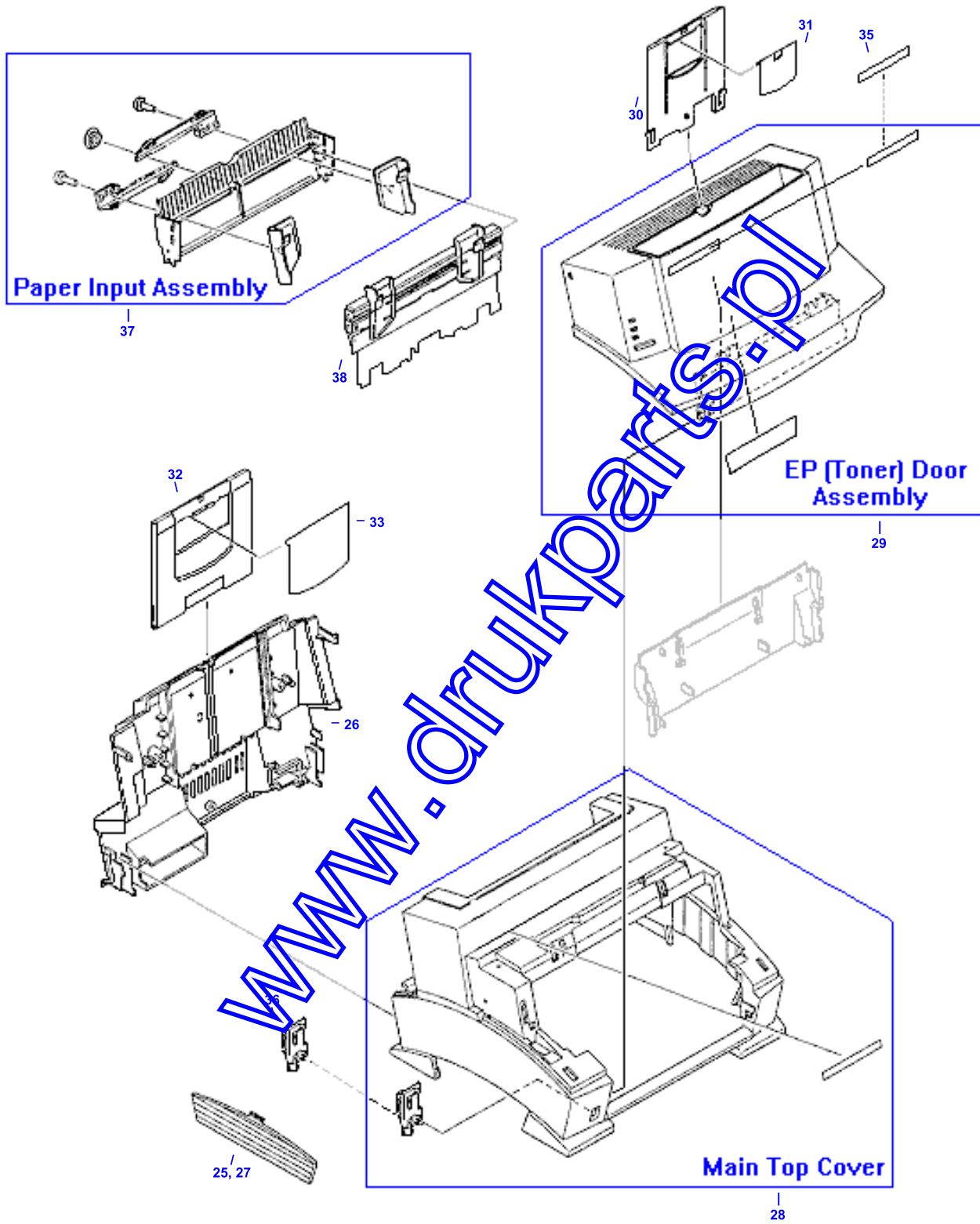
201 RB1-7294-000CN Spring - For paper exit sensor arm

www.drukparts.pl

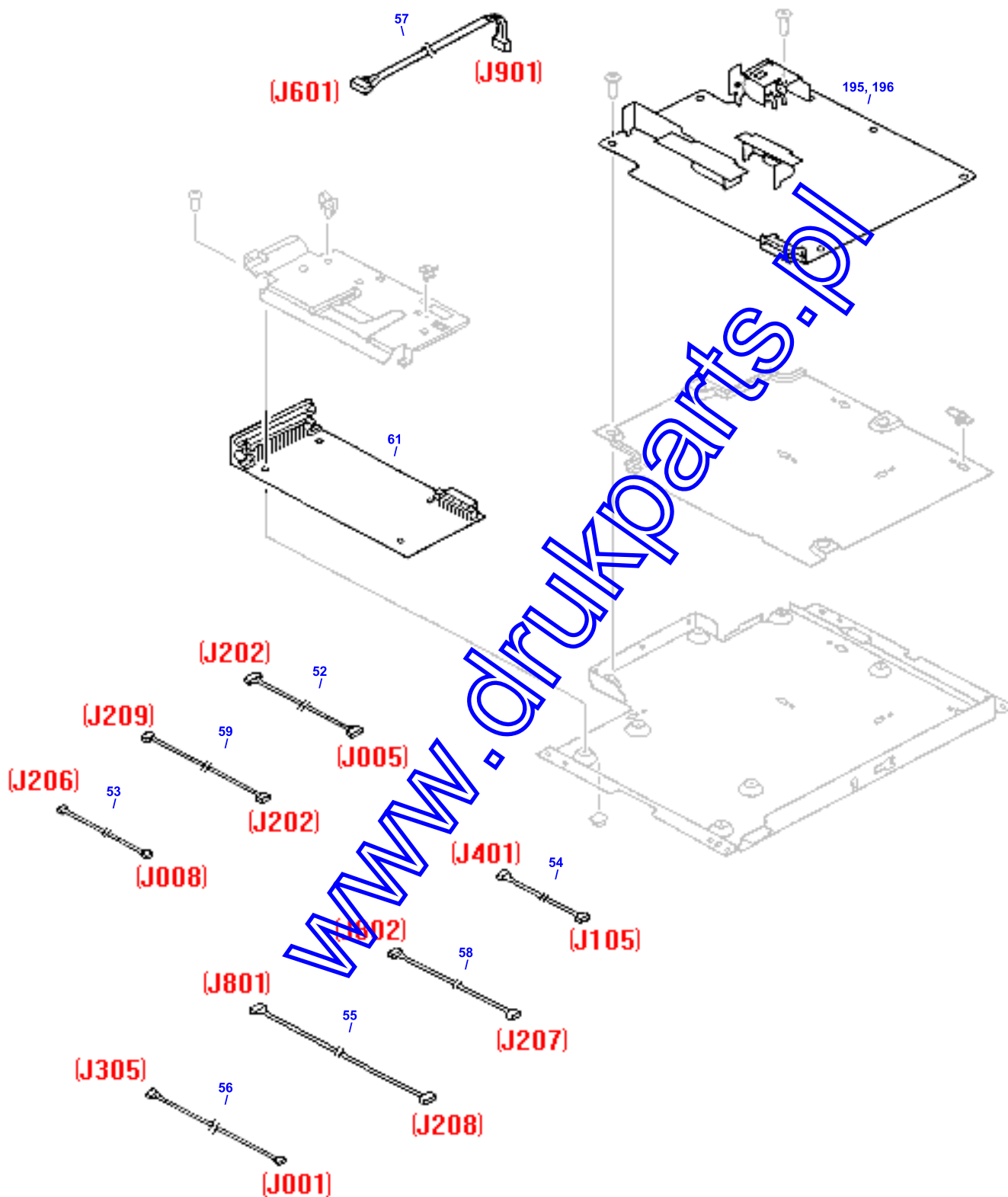
Major Assembly Locations



Covers and Doors

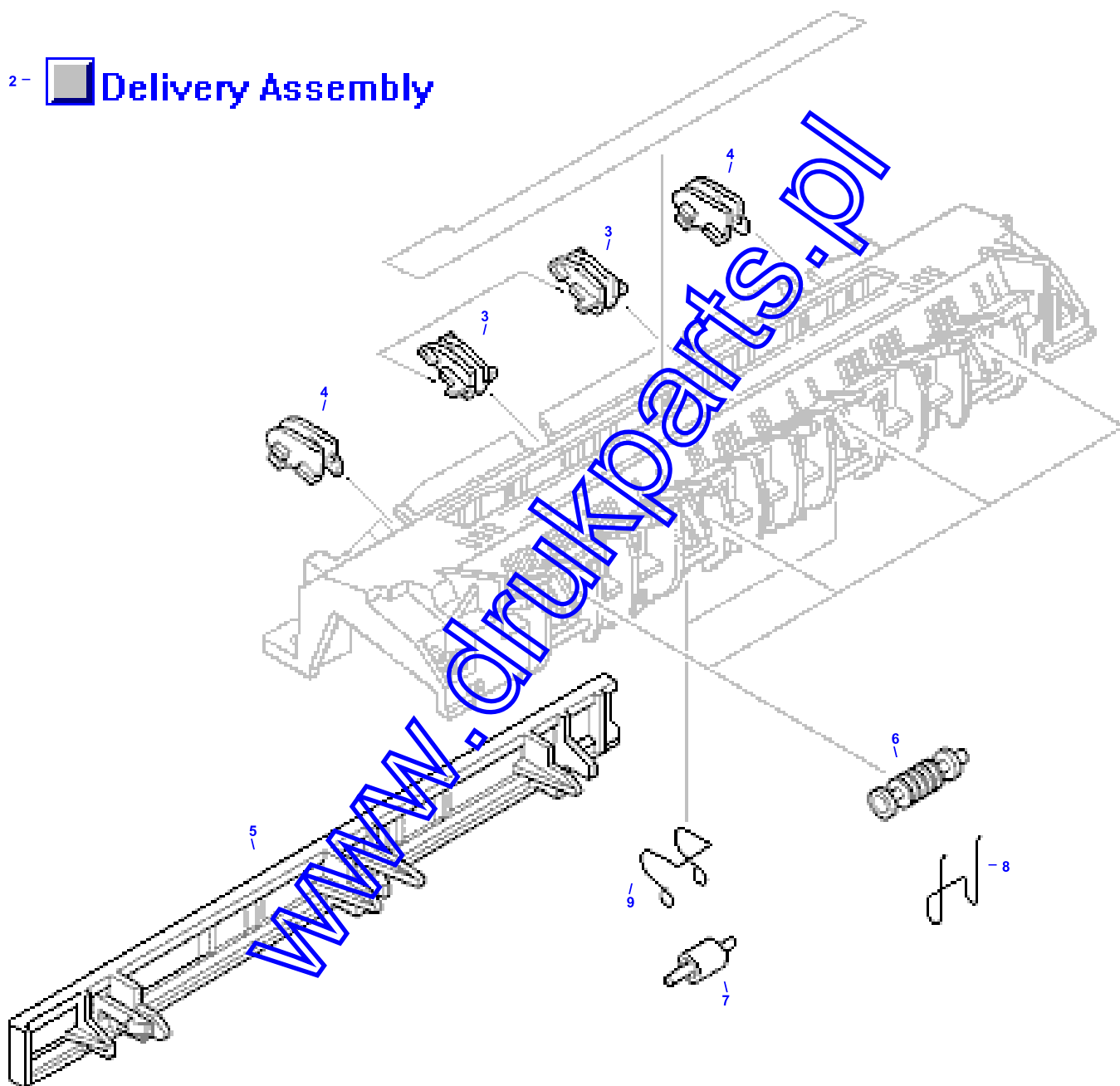


DC Controller/Formatter and Cables

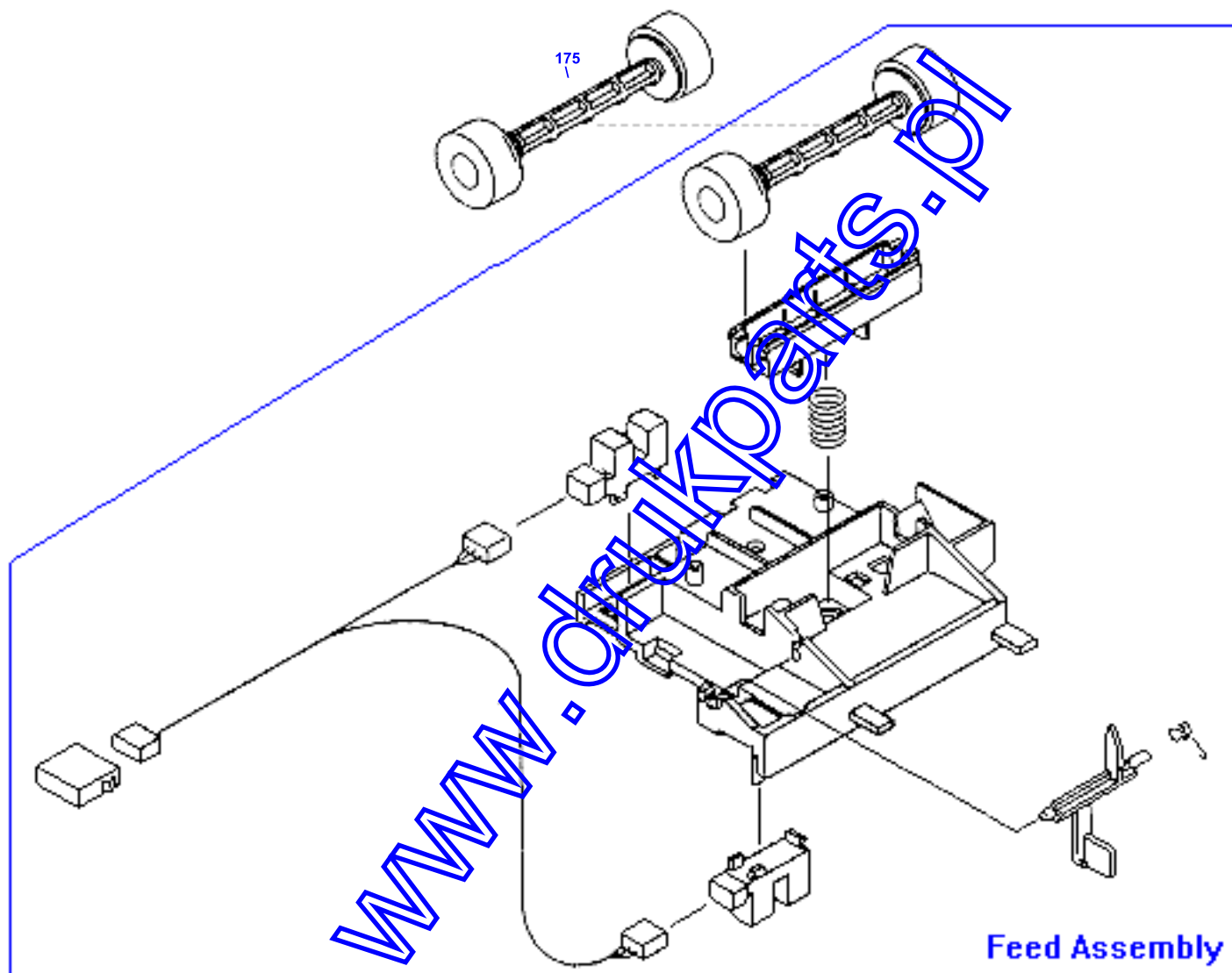


Delivery Assembly

2-  Delivery Assembly



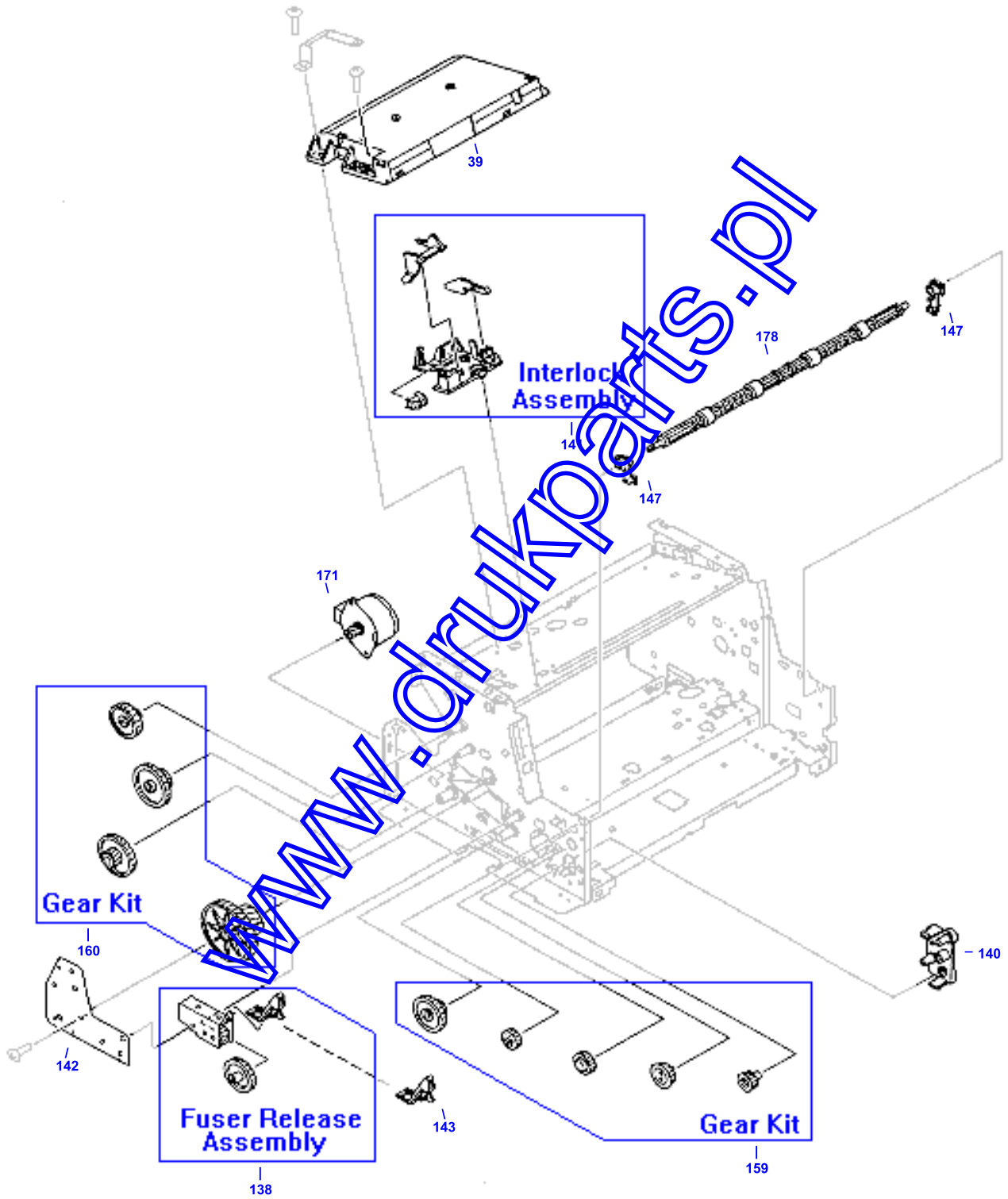
Feed Assembly



152

Internal Components (1 of 3)

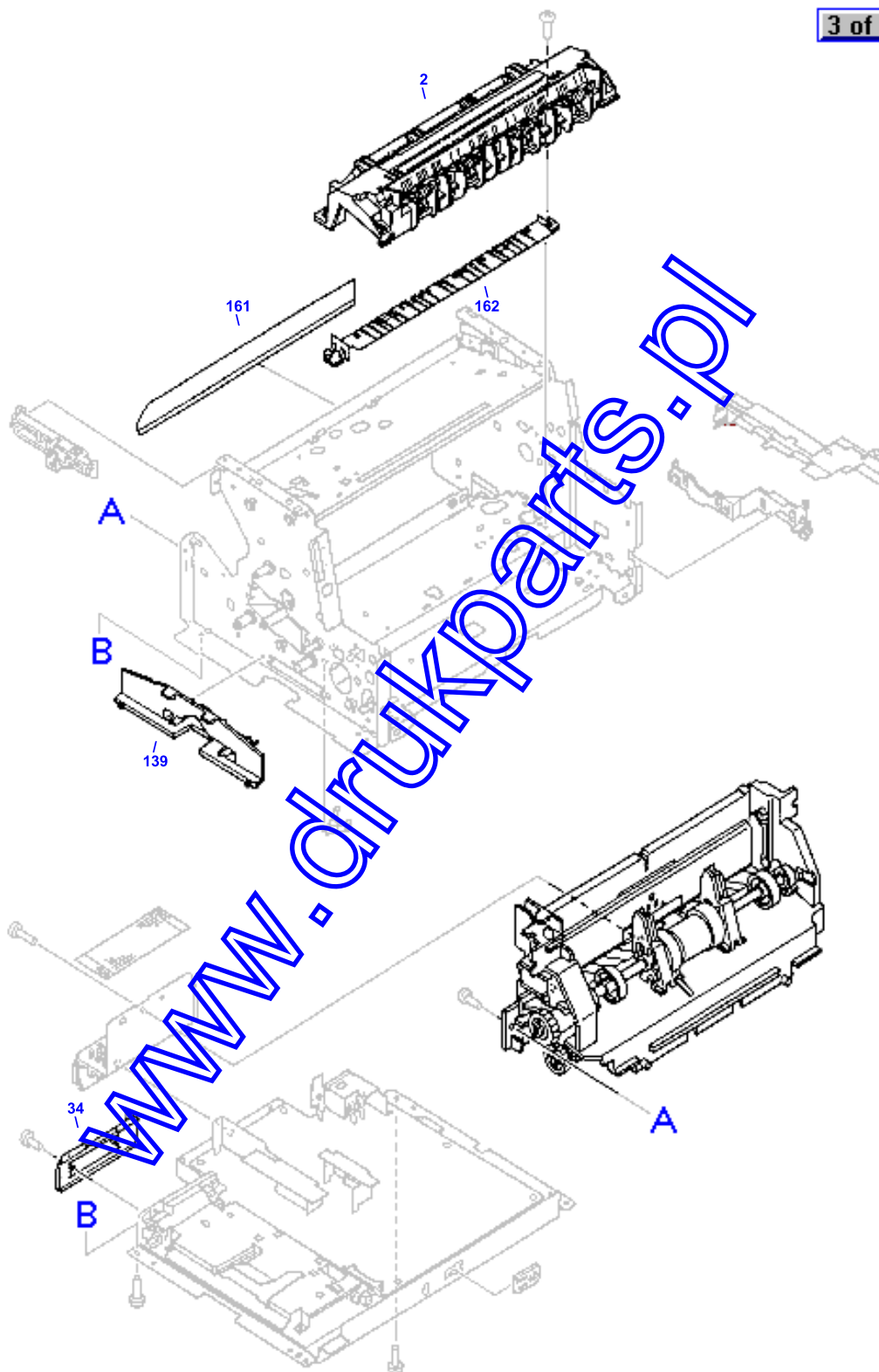
2 of 3 →



Internal Components (2 of 3)

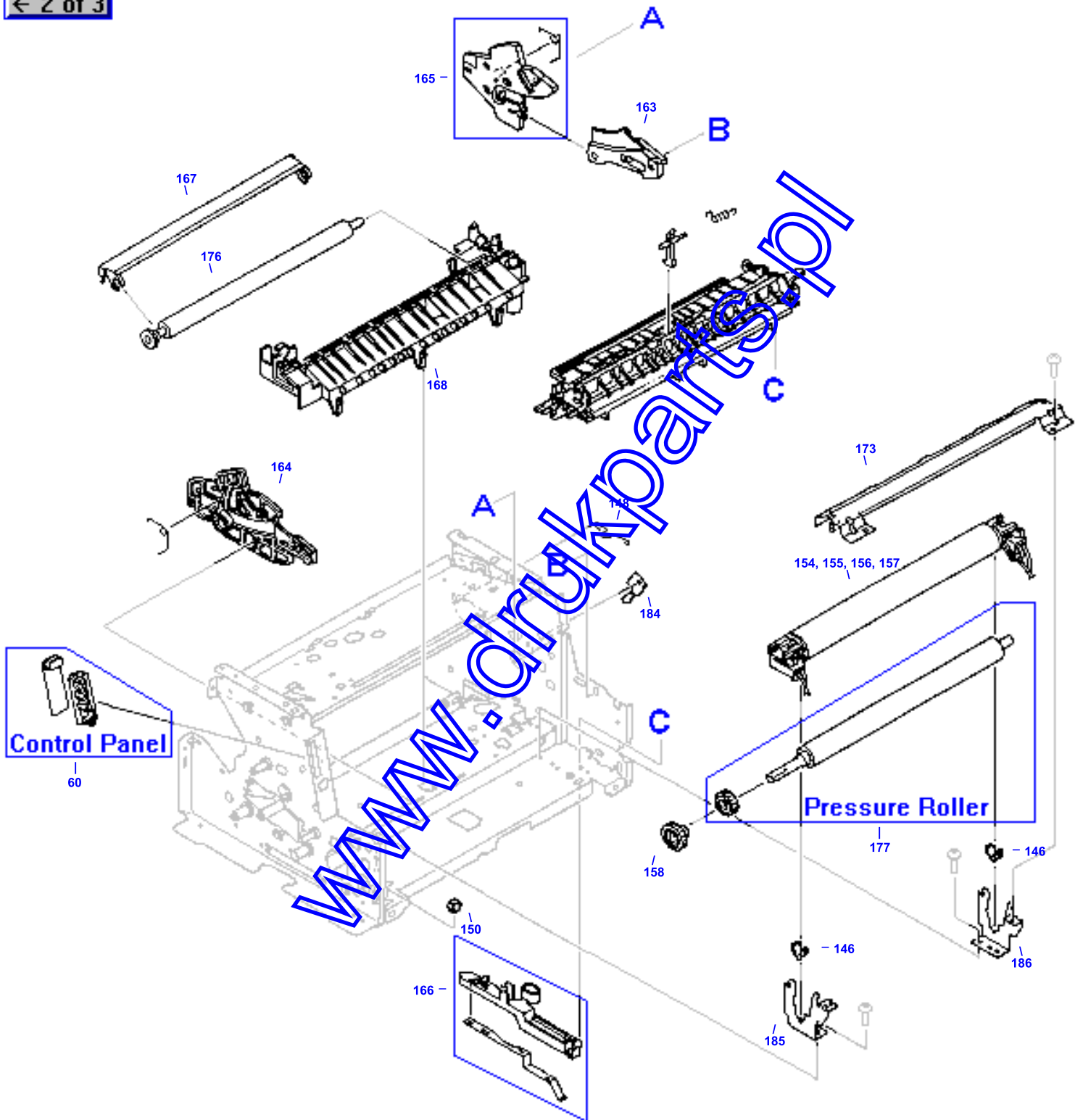
← 1 of 3

3 of 3 →

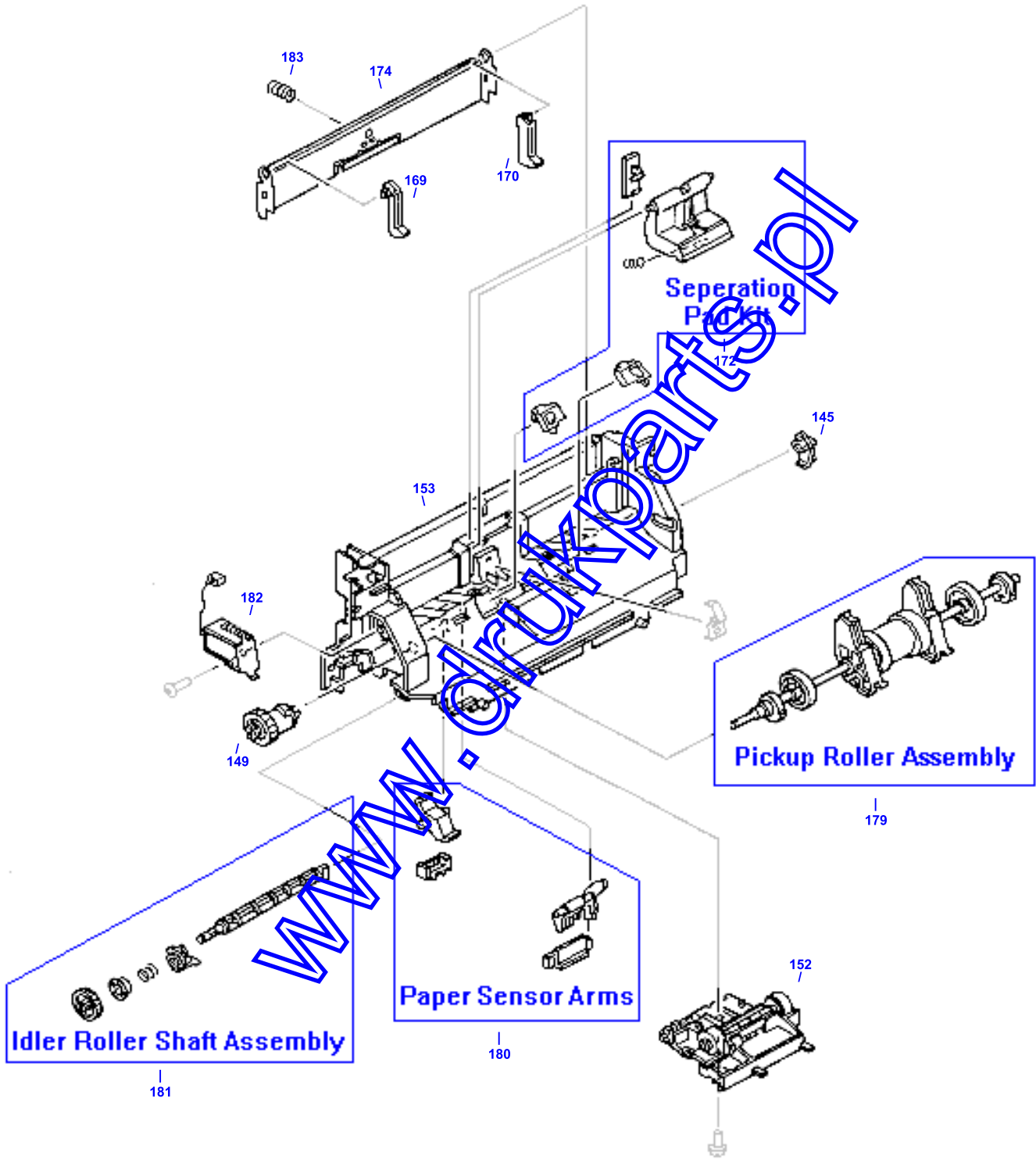


Internal Components (3 of 3)

← 2 of 3

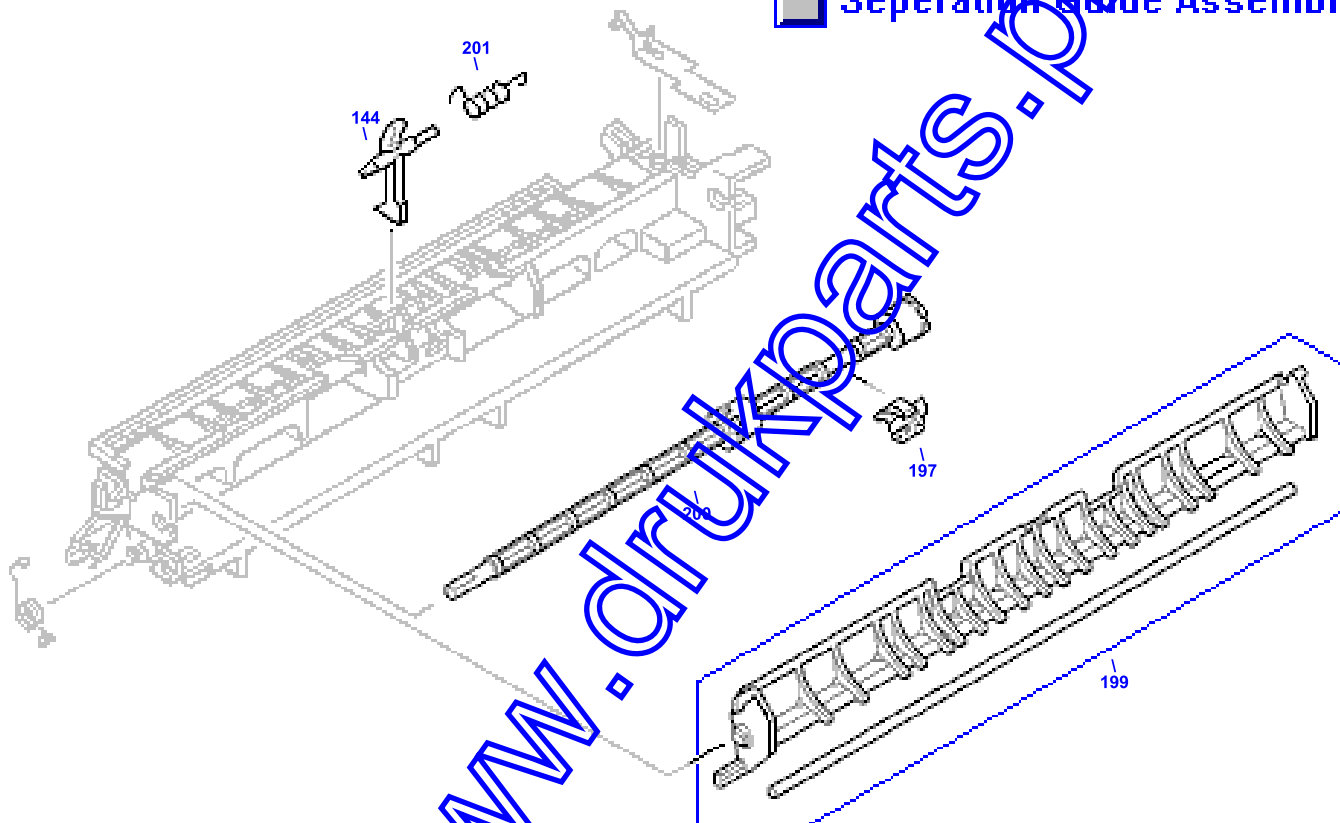


Pickup Assembly



Seperation Guide Assembly

■ Seperation Guide Assembly





HP Parts Reference Guide

<http://www.hp.com/go/parts>

HP PartSurfer

<http://partsurfer.hp.com>

HP Parts Ordering Information

<http://www.hp.com/go/hpparts>

HP Parts Questions/Comments

<http://partsurfer.hp.com/contactus.htm>

www.drukparts.pl