

**C3763A 2000 Sheet Tray**

**Bushing**

1 RS5-1207-020CN Drive bushing - Paper deck drive assembly bushing

**Cover**

2 RB1-7832-020CN 2000 sheet paper tray right side cover

3 RB1-7833-020CN 2000 sheet paper tray left side cover

4 RB1-7834-000CN 2000 sheet paper tray rear cover

5 RF5-1632-000CN 2000 sheet paper tray front cover

**Drive Assembly**

6 RG5-2164-030CN 2000 sheet paper tray drive assembly

**Flag**

RB1-7813-000CN Paper registration sensor flag

**Labels**

8 RB2-5342-000CN 2000 sheet paper tray cassette size label

**PC Board**

9 RG5-2225-000CN 2000 sheet tray paper sensor board

10 RG5-2226-000CN 2000 sheet tray paper size board

11 RG5-4198-000CN 2000 sheet paper tray controller board

**Pickup Assembly**

12 RG5-2170-000CN 2000 sheet paper tray paper pickup assembly - Used in C3763 or C3773A input trays ONLY

**Plate**

13 RB1-6894-000CN Paper cassette size plate - Self adhesive label NOT included

14 RG5-2150-000CN Back paper limit plate

15 RG5-2151-000CN Middle paper limit plate - Paper width adjustment stop

16 RG5-2156-000CN Front paper reference plate - Front length adjustment stop

**Power Supply**

17 RG5-2281-000CN Power supply for 2000 sheet paper tray

**Roller**

18 RF5-1834-000CN Feed/separation roller - Has a blue gear on one end and blue release tab on the other - Mounts in the paper input unit assembly (4 used)

19 RF5-1835-000CN Pickup roller assembly - Has attached black plastic gear - Mounts in the paper input unit (two Used)

**Torque Limiter**

20 RB1-6588-000CN Torque limiter

**Transfer Assembly**

21 C4085-69004 Transfer assembly - Mounted on right side of 2000 sheet tray

RG5-2175-020CN *New Part for C4085-69004*

**Tray**

22 C4781-69514 2000 sheet paper tray (Tray 4) - Complete unit with paper holder cassette  
REQUIRES RETURN OF DEFECTIVE PART

C4781-60106 *New Part for C4781-69514*

RG5-2155-000CN 2000 sheet paper tray - Slide out tray - Includes cables to raise tray

**C3764A Multi-Bin Mailbox**

**Bin**

24 C3764-60505 Face up output bin - Top bin on multi-bin mailbox

25 C3764-60506 Paper output bin

C4785-60502 *New Part for C3764-60506*



## C3764A Multi-Bin Mailbox

### Bin

26 C4785-60502 Single paper output bin - For the multi-bin mailbox assembly

### Box

27 C3764-60523 Metal box - Controller board is mounted in

### Cable

28 C3764-60546 Flipper assembly cable

29 C3764-60547 Cable assembly with ferrite - 5 pin (F) connector to 4 pin (M) connector - 75.4cm (29.7 inches) long

30 C3764-67903 Delivery head flat ribbon cable kit - Includes cable and 2 cable holders

### Cable (Interface)

C4781-60504 Multi-Bin mailbox interface C-link cable - 45cm (17.7 inches) long

C4785-60530 Multi-Bin mailbox interface cable - 1.8m (5.8ft) long

### Caster

33 C3764-60551 Swivel caster - Set of four

### Cover

34 C3764-60553 Right side cover

35 C3764-60554 Left side cover

36 C3764-60555 Top cover

37 C4785-60503 Blind cover - Covers space trays and face-up bin - Home position cover for head assembly

### Door

38 C3764-60514 Jam access door assembly - Assembly with 6 rollers

### Flipper

39 C3764-60501 Flipper assembly  
NO LONGER SUPPLIED

C4785-69524 New Part for C3764-60501

### Guide

40 C3764-60561 Paper input guide - Mounted in top of multi-bin mailbox

### Hardware Kit

41 C3764-67901 Hardware kit - Includes access door springs, 2 lower pulleys with springs, cable holder, cable clamps, and metric screws - For multibin mailbox

### Kit

42 C3764-67902 Paper guide kit - Includes 2 anti-curl strings, 2 small pullys and 2 springs

43 C3764-67906 Attachment kit - Includes beam, bracket and 2 clips

### Mailbox

44 C4785-69524 8-bin mailbox - Mailbox assembly without attachment rod  
REQUIRES RETURN OF DEFECTIVE PART

C4785-60538 New Part for C4785-69524

### Motor

45 C3764-60507 Elevator stepper motor

46 C3764-67904 Stepper motor/encoder kit - Includes motor, encoder and encoder cable

### PC Board

47 C3766-60541 Controller board

### Shaft

48 C3764-60516 Hex shaft in jam access door assembly



## C3764A Multi-Bin Mailbox

### Switch

49 C3764-67905 Interlock switch kit - Includes interlock switch and cable

### Tape

50 C3764-67900 Metallic tape and housing kit - Includes metal tape holder, metallic tape, and housing

## Electronic Accessories

### Cable (Interface)

5063-1256 IEEE-1284 Bi-Tronics parallel cable - DB-25 (M) connector (type A) to 36 pin Centronics (M) connector (type B) - 2.0m (6.6ft) long

5063-1257 IEEE-1284 Bi-Tronics parallel cable - DB-25 (M) connector (type A) to 36 pin Centronics (M) connector (type B) - 3.0m (9.8ft) long

C2950A IEEE-1284 Bi-Tronics parallel cable - DB-25 (M) connector (type A) to 36 pin Centronics (M) connector (type B) - 2.0m (6.6ft) long

5063-1256 *New Part for C2950A*

C2951A IEEE-1284 Bi-Tronics parallel cable - DB-25 (M) connector (type A) to 36 pin Centronics (M) connector (type B) - 3.0m (9.8ft) long

C2990A IEEE-1284 Bi-Tronics parallel cable - DB-25 (M) (type A) to 36 pin (M) Centronics (type B) - 1.8m (6ft) long  
NO LONGER SUPPLIED

C2991A IEEE-1284 Bi-Tronics parallel cable - DB-25 (M) (type A) to 36 pin (M) Centronics (type B) - 3.0m (10ft) long  
NO LONGER SUPPLIED

### Drive (Product)

57 C2965A 420MB disk drive  
NO LONGER SUPPLIED

### Envelope Feeder

58 C3765-69501 Replacement optional envelope feeder - Holds 100 envelopes  
REQUIRES RETURN OF DEFECTIVE PART

C3765-60501 *New Part for C3765-69501*

59 C3765B Optional envelope feeder - Automatically feeds 100 envelopes

### Mailbox

60 C4785-69524 8-bin mailbox - Mailbox assembly without attachment rod  
REQUIRES RETURN OF DEFECTIVE PART

C4785-60538 *New Part for C4785-69524*

C4787A 5-bin mail box with stapler - Holds 2100 sheets of paper used with 5Si family, mopier and 8000 printers

### Memory (Product)

C3131A 2MB, 70nS, 36-bit SIMM memory module - For HP LaserJet 4P, 4+, 4V, 5, 5N, 5M, 5P, 5Si  
NO LONGER SUPPLIED

C3146-67901 *New Part for C3131A*

C3132A 4MB, 70nS, 36-bit SIMM memory module - For HP LaserJet 4P, 4+, 4V, 5, 5N, 5M, 5P, 5Si  
NO LONGER SUPPLIED

C3146-67901 *New Part for C3132A*

C3133A 8MB, 70nS, 36-bit SIMM memory module - For HP LaserJet 4P, 4+, 4V, 5, 5N, 5M, 5P, 5Si  
NO LONGER SUPPLIED

C3146-67901 *New Part for C3133A*

### Memory (SIMM)

C2747-69501 16MB SIMM memory module  
REQUIRES RETURN OF DEFECTIVE PART

1818-5621 *New Part for C2747-69501*

C3131-67901 2MB, 32-bit SIMM memory module  
NO LONGER SUPPLIED

C3146-67901 *New Part for C3131-67901*



## Electronic Accessories

### Memory (SIMM)

C3132-67901	4MB, 70nS, 36-bit parity SIMM memory module NO LONGER SUPPLIED
C3146-67901	<i>New Part for C3132-67901</i>
C3133-67901	8MB, 70nS, 36-bit parity SIMM memory module NO LONGER SUPPLIED
C3146-67901	<i>New Part for C3133-67901</i>
C3146-67901	16MB SIMM memory module

### PC Board

C3768-60501	Paper handling controller board - Includes short ribbon cable to connect to formatter board
-------------	---

### PostScript

C3169-69001	PostScript (Level 2) SIMM module REQUIRES RETURN OF DEFECTIVE PART
C3169-67901	<i>New Part for C3169-69001</i>
C3169A	Postscript (Level 2) SIMM module NO LONGER SUPPLIED

### Tray

C4785A	8 bin mail box - Holds 2600 sheets of paper - Used with 2000 sheet paper tray or printer cabinet
--------	--

### Upgrade Kit

C4101A	HP Mopy upgrade kit for LaserJet 5Si/MX - Includes new formatter board, 420MB hard drive, paper handling controller board, software and documentation NO LONGER SUPPLIED
--------	---

## Electronics/Power Supply

### Power Cord

8120-6798	Power cord (Flint Gray) - 18 AWG, 2.3m (7.5ft) long - Has straight (F) receptacle (For 100V in Japan)
8120-6800	Power cord (Flint Gray) - 16 AWG, 2.3m (7.5ft) long - Has straight (F) receptacle (For 240V in Israel)
8120-6809	Power cord (Dove Gray) - 2.3m (7.5ft) long - Has straight (F) receptacle (For 240V operation in the United Kingdom, Hong Kong, Singapore, Malaysia)
8120-6810	Power cord (Flint Gray) - 2.3m (7.5ft) long - Has straight (F) receptacle (For 240V operation in Australia, New Zealand)
8120-6811	Power cord (Flint Gray) - 17 AWG, 2.3m (7.5ft) long - Has straight (F) receptacle (For 220V in Europe, Saudi Arabia, South Africa, India, and Korea)
8120-6812	Power cord (Flint Gray) - 18 AWG, 2.3m (7.5ft) long - Has straight (F) receptacle (For 120V in the USA, Canada, Mexico, Philippines, and Taiwan)
8120-6813	Power cord (Flint Gray) - 17 AWG, 2.3m (7.5ft) long - Has straight (F) receptacle (For 220V in South Africa, Saudi Arabia, and India)
8120-6815	Power cord (Flint Gray) - 17 AWG, 2.3m (7.5ft) long - Has straight (F) receptacle (For 220V in Switzerland)

## External Case Parts

### Cover

83	RB1-6480-000CN	Lower left cover
	RB1-6489-000CN	AC access cover - Has cut out for A/C power cord connection
85	RB1-6492-000CN	Power switch cover - Has cutout for power switch
86	RB1-6494-000CN	Front cover
87	RB1-6498-000CN	Right rear cover
88	RF5-1402-000CN	Rear cover - Sheet metal
89	RG5-1870-090CN	Top cover assembly - Does NOT include face up tray or control panel display



## External Case Parts

### Door

- 90 RB1-6495-020CN Front access door
- 91 RB1-6667-000CN Diverter door assembly - Upper door on left side of printer - Two struts are mounted to door
- 92 RG5-1915-040CN Right door assembly - Door below paper tray 1 - Support strap attached to right side

### Latch

- 93 XZ9-0379-000CN Door latch insert (Black)

### Overlay

- C3166-40001 Control panel overlay (English)
- C3166-40002 Control panel overlay (French)
- C3166-40003 Control panel overlay (Italian)
- C3166-40004 Control panel overlay (German)
- C3166-40005 Control panel overlay (Spanish)
- C3166-40007 Control panel overlay (Swedish)
- C3166-40008 Control panel overlay (Danish)
- C3166-40009 Control panel overlay (Finnish)
- C3166-40010 Control panel overlay (Dutch)
- C3166-40011 Control panel overlay (Polish)
- C3166-40012 Control panel overlay (Turkish)  
NO LONGER SUPPLIED
- C3166-40013 Control panel overlay (Portuguese)
- C3166-40018 Control panel overlay (Japanese)  
NO LONGER SUPPLIED
- C3166-40019 Control panel overlay (Scandinavian)
- C3166-40020 Control panel overlay (Korean)

### Plate

- C2009-00006 Lower MIO Cover Plate - For empty MIO slot  
NO LONGER SUPPLIED
- C2009-60109 Upper MIO Cover Plate - For empty MIO slot

### Spring

- 111 RB1-6493-000CN Compression spring - Center support for left output bin

### Strap

- 112 RB1-6484-000CN Support strap - Supports door when open

### Support

- 113 RF5-2701-060CN Access door struts - Attached to each side of diverter door assembly

### Tray

- 114 RB1-6490-000CN Face-down output tray - At top of printer
- 115 RB1-6491-000CN Face-up output tray - At upper left side
- 116 RG5-1883-060CN Multi-Purpose paper input tray (Tray 1) - Includes pull out extender tray

## Fusing Assembly Parts

### Arm

- 117 RF5-2694-020CN Fusing sensor arm - Senses paper in fusing assembly

### Fusing Assembly

- 118 5182-2811 Fusing assembly (For 220V to 240V operation) - Bonds toner to paper by heat - In quantity price break packaging (Contains 5 New fusing assemblies)  
NO LONGER SUPPLIED
- 119 5182-2812 Fusing assembly (For 220V to 240V operation) - Bonds toner to paper by heat - In quantity price break packaging (Contains 10 New fusing assemblies)

**Fusing Assembly Parts**
**Fusing Assembly**

- 120 C3166-69017 Fusing assembly (For 100V to 120V operation) - Bonds toner to paper with heat  
 REQUIRES RETURN OF DEFECTIVE PART  
*RG5-4447-030CN New Part for C3166-69017*
- 121 C3166-69018 Fusing assembly (For 220V to 240V operation) - Bonds toner to paper with heat  
 REQUIRES RETURN OF DEFECTIVE PART  
*RG5-4448-030CN New Part for C3166-69018*

**Lock**

- 122 RB1-6615-020CN Right fusing assembly lock - Locks fuser in place
- 123 RB1-6616-020CN Left fusing assembly lock - Locks fuser in place

**Internal Parts**
**Paper Pick-Up**

- C3166-69009 Paper pickup assembly  
*RG5-1880-100CN New Part for C3166-69009*

**Labels and Transparencies**
**Film (Transparency)**

- 92296U LaserJet printer transparency film - A4 size (21.0cm x 29.7cm) - 50 sheets per box
- 92296T LaserJet printer transparency film - A size (8.5 x 11-inches) - 50 sheets per box

**Labels**

- 92296A LaserJet printer addressing labels - 2.54cm (1.00in) x 6.67cm (2.63in) labels - 30 per sheet - 100 sheets per box  
 NO LONGER SUPPLIED
- 92296B LaserJet printer addressing labels - 3.38cm (1.33in) x 10.2cm (4.00in) labels - 14 per sheet - 100 sheets per box  
 NO LONGER SUPPLIED
- 92296C LaserJet printer addressing labels - 2.54cm (1.00in) x 10.2cm (4.00in) labels - 20 per sheet - 100 sheets per box  
 NO LONGER SUPPLIED
- 92296D LaserJet printer addressing/shipping labels - 5.08cm (2.00in) x 10.2cm (4.00in) labels - 10 per sheet - 100 sheets per box  
 NO LONGER SUPPLIED
- 92296E LaserJet printer shipping labels - 8.47cm (3.33in) x 10.2cm (4.00in) labels - Six per sheet - 100 sheets per box  
 NO LONGER SUPPLIED
- 92296F LaserJet printer return address labels - 1.27cm (0.50in) x 4.45cm (1.75in) labels - 80 per sheet - 25 sheets per box  
 NO LONGER SUPPLIED
- 92296G LaserJet printer file folder labels - 1.69cm (0.67in) x 8.73cm (3.44in) labels - 30 per sheet - 25 sheets per box  
 NO LONGER SUPPLIED
- 92296H LaserJet printer labels for 3.5-inch diskettes - 7.00cm (2.75in) x 7.00cm (2.75in) labels - Nine per sheet - 70 sheets per box  
 NO LONGER SUPPLIED
- 92296J LaserJet printer labels for 5.25-inch diskettes - 3.81cm (1.50in) x 10.2cm (4.00in) labels - 12 per sheet - 70 sheets per box  
 NO LONGER SUPPLIED
- 92296K LaserJet printer full sheet label - A size (8.5 x 11-inches) label - One per sheet - 100 sheets per box  
 NO LONGER SUPPLIED

**Logic/Control Electronics**
**Cable**

- C2965-60004 Disk drive ribbon cable
- 138 RG5-1849-000CN Cable assembly - Fuser cable 1 - J50/51 to J10/56/222
- 139 RG5-1919-000CN Cable assembly - From DC controller board to main motor
- 140 RG5-1923-000CN Control panel display cable  
 NO LONGER SUPPLIED  
*RG5-1924-000CN New Part for RG5-1923-000CN*



## Logic/Control Electronics

### Cable

141	RG5-1924-000CN	Dual cable assembly with ferrites - 10 pin (F) connector, 9 pin (F) connector, and two 6 pin (F) connectors - 1.1m (3.7ft) long
142	RG5-1925-000CN	Cable assembly - 5 pin (F) connector to both a 27cm (10.6 inch) cable with a 3 pin (M) connector and a 27.2cm (10.7 inch) cable with a 2 pin (M) connector
143	RG5-1926-000CN	BD cable - J18 to J2007
144	RG5-1927-000CN	ILS cable - From J1401 to J221/J205

### Control Panel

145	RG5-2433-000CN	Control panel - Includes display
-----	----------------	----------------------------------

### Drive

146	C2965-69001	420MB disk drive
-----	-------------	------------------

### PC Board

147	C3166-69010	DC controller board REQUIRES RETURN OF DEFECTIVE PART  <i>RG5-1844-050CN</i> <i>New Part for C3166-69010</i>
148	C3168-69006	Formatter board - Main logic PCA - Has parallel connector REQUIRES RETURN OF DEFECTIVE PART  <i>C3168-67906</i> <i>New Part for C3168-69006</i>
149	RG5-1846-000CN	Switch/sensor board - Includes face down tray sensors, fusing delivery sensor and door switch
150	RG5-1860-000CN	Paper pickup board - Includes 8 photosensors
151	RG5-1884-000CN	Multipurpose paper tray board - Includes paper sensors (PS130) and PS1302

### Power Cord

	RH2-5263-000CN	Power cord (Gray) - 14 AWG, 2.3m (7.5ft) long - Has standard (N) receptacle (For 120V in the USA and Canada)
--	----------------	--

## Optional Interfaces

### Bulkhead

	C2009-60111	MIO slot bulkhead
--	-------------	-------------------

### Interface (Module)

	J4101-61011	External JetDirect 300X print server module (10Base-T and 100Base-T) - Connects between printer parallel port and LAN network - Does NOT include power module - (J4101A, J4101B)
--	-------------	--

### Interface (Product)

	J2552B	LAN & LocalTalk interface - Has EtherTwist (10Base-T), ThinLAN (10Base-2), and LocalTalk (DIN-8) connectors NO LONGER SUPPLIED
	J2555B	Token ring LAN interface board - DB-9 and RJ-45 connectors NO LONGER SUPPLIED
	J2556B	EtherTwist (10Base-T) or 100Base-TX LAN interface board - Has an RJ-45 connector NO LONGER SUPPLIED
	J2590A	External JetDirect LAN interface module with RJ-45 connector for EtherTwist (10Base-T) or 100VG/802.12 input and 3 parallel (DB-25) output connectors NO LONGER SUPPLIED
	J2591A	External JetDirect LAN interface module and power module - Has EtherTwist (10Base-T) and ThinLAN (10Base-2) connectors NO LONGER SUPPLIED
	J3258B	External JetDirect 170X LAN interface module - Interfaces a parallel printer to an ethernet 10Base-T (RJ-45) LAN
	J3264A	External JetDirect 500X token ring interface module - Interfaces up to 3 parallel printers to a token ring (DB-9 or RJ-45) LAN
	J3265A	External JetDirect 500X LAN interface module - Interfaces up to 3 parallel printers to an ethernet 10Base-T (RJ-45), 10Base2 (BNC), or 100Base-TX (RJ-45) LAN
	J4100A	JetDirect 400N modular input/output (MIO) - Internal print server - Provides 10/100Base-T or 10Base-2 network connection using RJ45 or BNC connectors

**Optional Interfaces**

**Interface (Product)**

- J4105A JetDirect 400N modular input/output (MIO) internal print server - Provides token ring network connection using RJ45 or DB9 connectors
- J4106A JetDirect 400N modular input/output (MIO) internal print server - Provides 10Base-T network connection using RJ45 connector

**Module**

- J2382-69003 External JetDirect LAN interface module with ethertwist (10Base-T) and ThinLAN (10BASE-2) connectors
- J2383-61005 External token ring interface module - Has DB-9 connector
- J2590-69001 External JetDirect LAN interface module with RJ-45 connector for ethertwist (10Base-T) or 100VG/802.12 input and 3 parallel (DB-25) output connectors  
REQUIRES RETURN OF DEFECTIVE PART  
*New Part for J2590-69001*
- J2591-69001 External JetDirect LAN interface module with ethertwist (10Base-T) and ThinLAN (10BASE-2) connectors
- J2592-69001 External JetDirect LAN interface module with ethertwist (10Base-T) connector  
REQUIRES RETURN OF DEFECTIVE PART  
*New Part for J2592-69001*
- J2593-69001 External JetDirect LAN interface module with Ethertwist (10Base-T) and ThinLAN (10BASE-2) input connectors and 3 parallel (DB-25) output connectors - (part of J2593A)
- J2594-69001 External JetDirect token ring interface module with DB-9 and RJ-45 input connectors and 3 parallel (DB-25) output connectors - (part of J2594A)  
REQUIRES RETURN OF DEFECTIVE PART  
*New Part for J2594-69001*
- J3258-61011 External JetDirect LAN interface module with EtherTwist (10Base-T) connector - (J3258A, J3258B)
- J4102-69011 External JetDirect LAN interface module with EtherTwist (10Base-T) connector - (J4102A, J4102B)  
REQUIRES RETURN OF DEFECTIVE PART  
*New Part for J4102-69011*

**Module (Product)**

- J4101B External JetDirect LAN interface module with EtherTwist (10Base-T/Base-TX) connector
- J4102B External JetDirect LAN interface module with EtherTwist (10Base-T) connector

**PC Board (Interface)**

- J2550-69013 EtherTwist 10Base-T LAN interface board
- J2552-69013 LAN and LocalTalk interface - EtherTwist (10Base-T), ThinLAN (10Base-2), and LocalTalk (DIN-8) connectors
- J2555-69013 Token ring LAN interface board - DB-9 and RJ-45 connectors
- J4100-69001 JetDirect 400N modular input/output (MIO) internal print server - Provides 10/100Base-TX or 10Base-2 network connection using RJ45 or BNC connectors - (J4100A)  
REQUIRES RETURN OF DEFECTIVE PART  
*New Part for J4100-69001*
- J4106-69001 Replacement JetDirect 400N modular input/output (MIO) internal print server  
REQUIRES RETURN OF DEFECTIVE PART  
*New Part for J4106-69001*

**Power Cord**

- 8120-1351 Power cord (Mint Gray) - 17 AWG, 2.3m (7.5ft) long - Has straight (F) receptacle (For 240V in the UK, Hong Kong, Singapore, Malaysia, and Brunei)
- 8120-1369 Power cord (Mint Gray) - 17 AWG, 2.0m (6.6ft) long - Has straight (F) receptacle (For 240V in Australia, New Zealand, and China)
- 8120-1378 Power cord (Jade Gray) - 18 AWG, 2.3m (7.5ft) long - Has straight (F) receptacle (For 120V in USA, Canada, Latin America, Korea, Taiwan, Thailand, Spain, Brazil, and Vietnam)
- 8120-1689 Power cord (Mint Gray) - 17 AWG, 2.0m (6.6ft) long - Has straight (F) receptacle (For 220V in Europe, Bangladesh, Indonesia, Pakistan, Burma, Sri Lanka, and Vietnam)
- 8120-2104 Power cord (Mint Gray) - 2.0m (6.6ft) long - Has straight (F) receptacle (For 220V in Switzerland)





**Optional Interfaces**

**Power Cord**

- 8120-2956 Power cord (Mint Gray) - 2.0m (6.6ft) long - Has straight (F) receptacle (For 220V in Denmark)
- 8120-4753 Power cord (Flint Gray) - 18 AWG, 2.3m (7.5ft) long - Has straight (F) receptacle (For 100V in Japan)
- 8120-6302 'Daisy chain' power cord (Dove Gray) - 18 AWG, 1.2m (4.0ft) long - Has C14 (M) plug for power input and C13 (F) plug for power output

**Power Module**

- 0950-2372 Power supply module - 100-240VAC input, 47-63Hz, requires separate AC power cord - 5VDC output, 1A, 5 watts - For J2382/83A/B
- 0950-3169 Wall mount power supply module - 110-127V AC 57-63Hz input - 13V DC output at 300mA (USA, Canada) - For use with the J2592A external JetDirect LAN interface module
- 0950-3170 Power supply module - 209-253VAC input, 47-53Hz - 13VDC output, 300mA (Europe, Israel) - For use with the J2592A external JetDirect LAN interface module
- 0950-3171 Power supply module - 220-240VAC input, 47-53Hz - 13VDC output, 300mA (UK, Hong Kong) - For use with the J2592A external JetDirect LAN interface module
- 0950-3172 Power supply module - 240VAC input, 47-53Hz - 13VDC output, 300mA (Australia) - For use with the J2592A external JetDirect LAN interface module
- 0950-3348 Wall mount power supply module (MEI-AH ED12006) - 110-127VAC input, 57-63Hz - 13VDC output, 800mA, 10.4 watts (for use in the United States and Canada) - For models J2590/91/93/94A, J2964A, J3258A/B, J3263/64/65A, J3282B, J4101A/B, J4102A/B
- 0950-3349 Wall mount power supply module (MEI-AH ED12007) - 230VAC input, 47-53Hz - 13VDC output, 800mA, 10.4 watts (for use in Europe and Israel) - For JetDirect/infrared interface models J2590/91/93/94A, J2964A, J3258A/B, J3263/64/65A, J3282B, J4101A/B, J4102A/B
- 0950-3350 Wall mount power supply module (MEI-AH ED12008) - 220-240VAC input, 47-53Hz - 13VDC output, 800mA, 10.4 watts (for use in the United Kingdom) - For JetDirect/infrared interfaces J2590/91/93/94A, J2964A, J3258A/B, J3263/64/65A, J3282B, J4101A/B, J4102A/B
- 0950-3351 Wall mount power supply module (MEI-AH ED12009) - 220VAC input, 47-63Hz - 13VDC output, 800mA, 10.4 watts (for use in South Korea) - For JetDirect/infrared interface models J2590/91/93/94A, J2964A, J3258A/B, J3263/64/65A, J3282B, J4101A/B, J4102A/B
- 0950-3352 Wall mount power supply module (MEI-AH ED12010) - 100VAC input, 47-63Hz - 13VDC output, 800mA, 10.4 watts (for use in Japan) - For JetDirect/infrared interface models J2590/91/93/94A, J2964A, J3258A/B, J3263/64/65A, J3282B, J4101A/B, J4102A/B
- 0950-3354 Wall mount power supply module (MEI-AH ED12010) - 220-250VAC input, 47-53Hz - 13VDC output, 800mA, 10.4 watts (for use in South Africa) - For JetDirect/infrared interface models J2590/91/93/94A, J2964A, J3258A/B, J3263/64/65A, J3282B, J4101A/B, J4102A/B
- 9100-5176 Wall mount power supply module (Leader Electronics 48130625HK) - 200VAC input, 48-52Hz - 13VDC output, 625mA (Hong Kong) - For JetDirect Modules and Infrared Interface Models J2590/91/93/94A, J2964A, J3258A/B, J3263/64/65A, J3282B, J4101A/B, J4102A/B
- 0950-3350 *New Part for 9100-5176*

**Optional Paper Trays**

**Controller**

- 202 C3920-67901 Paper handling controller board  
NO LONGER SUPPLIED

**Guide**

- RF5-1484-000CN Paper size guide/stop - For upper or lower paper input tray

**Tray**

- 204 C4781-69514 2000 sheet paper tray (Tray 4) - Complete unit with paper holder cassette  
REQUIRES RETURN OF DEFECTIVE PART
- C4781-60106 *New Part for C4781-69514*
- 205 C4781A HP LaserJet 8000, 8100, and 5Si Series Optional 2000 sheet paper tray (Tray 4) - Holds up to 2000 sheets of letter, legal, tabloid/ledger, A3, A4, B, or B4 size paper - Does NOT include paper handling controller board
- 206 R77-0003-000CN Lower paper input tray (Tray 3) - 500 sheet capacity - For letter, legal, 11 x 17 inch (B-size), A4 (210MM x 297MM), A3 (297MM x 420MM) and B4 (257MM x 364MM) size paper



## Optional Paper Trays

### Tray

207 R77-0004-000CN Upper paper input tray (Tray 2) - 500 sheet capacity - For letter, legal, and A4 size paper

## Other Accessories

### Cartridge

208 5184-5203 Black (Micro-Fine) toner cartridge - Page yield index 15,000  
209 C3909A Black (Micro-Fine) toner cartridge - Page yield index 15,000  
210 C3909X Black (Micro-Fine) toner cartridge - Page yield index 17, 100

### Duplexer

211 C3762-69000 Duplexer assembly - For 2 sided printing capability

### Manual

C4077-90961 LaserJet 5Si Printer family service manual supplement for paper handling accessories (English)  
J2552-90051 HP JetDirect print server software installation guide  
5021-8943 LaserJet quick reference guide - Volume 1 of 2 volume set  
5090-3390 LaserJet quick reference guide - Volume 2 of 2 volume set

### Manual Kit

5021-0377 HP-GL/2, PCL5 and PJI technical reference manual kit  
C3166-99018 C3166A/C3167A LaserJet 5Si/5Si MX user's manual bundle - Includes user's guide, 'Getting Started' guide, and paper specification guide (English)  
C3166-99019 C3166A/C3167A LaserJet 5Si/5Si MX user's manual bundle - Includes user's guide, 'Getting Started' guide, and paper specification guide (French)  
C3166-99020 C3166A/C3167A LaserJet 5Si/5Si MX user's manual bundle - Includes user's guide, 'Getting Started' guide, and paper specification guide (Italian)  
C3166-99021 C3166A/C3167A LaserJet 5Si/5Si MX user's manual bundle - Includes user's guide, 'Getting Started' guide, and paper specification guide (German)  
C3166-99022 C3166A/C3167A LaserJet 5Si/5Si MX user's manual bundle - Includes user's guide, 'Getting Started' guide, and paper specification guide (Spanish)  
C3166-99023 C3166A/C3167A LaserJet 5Si/5Si MX user's manual bundle - Includes user's guide, 'Getting Started' guide, and paper specification guide (Dutch)  
C3166-99024 C3166A/C3167A LaserJet 5Si/5Si MX user's manual bundle - Includes user's guide, 'Getting Started' guide, and paper specification guide (Danish)  
C3166-99025 C3166A/C3167A LaserJet 5Si/5Si MX user's manual bundle - Includes user's guide, 'Getting Started' guide, and paper specification guide (Finnish)  
C3166-99026 C3166A/C3167A LaserJet 5Si/5Si MX user's manual bundle - Includes user's guide, 'Getting Started' guide, and paper specification guide (Norwegian)  
C3166-99027 C3166A/C3167A LaserJet 5Si/5Si MX user's manual bundle - Includes user's guide, 'Getting Started' guide, and paper specification guide (Swedish)  
C3166-99028 C3166A/C3167A LaserJet 5Si/5Si MX user's manual bundle - Includes user's guide, 'Getting Started' guide, and paper specification guide (Portuguese)  
C3166-99029 C3166A/C3167A LaserJet 5Si/5Si MX user's manual bundle - Includes user's guide, 'Getting Started' guide, and paper specification guide (Polish)  
C3166-99030 C3166A/C3167A LaserJet 5Si/5Si MX user's manual bundle - Includes user's guide, 'Getting Started' guide, and paper specification guide (Turkish)  
C4077-99016 C3166A/C3167A LaserJet 5Si/5Si MX and 5Si Mopier service manual kit - Includes service manual and LaserJet family quick reference service guide (English)

### Software

C6072-60301 HP-GL/2 driver software for AutoCAD - For DOS and Windows 3.1/95/NT 4.0 - On 3.5-inch 1.44MB floppy disks (English)  
C6072-60304 HP-GL/2 driver software for AutoCAD - For DOS and Windows 3.1/95/NT 4.0 - On 3.5-inch 1.44MB floppy disks (German)  
C6072-60305 HP-GL/2 driver software for AutoCAD - For DOS and Windows 3.1/95/NT 4.0 - On 3.5-inch 1.44MB floppy disks (French)



## Other Accessories

### Software

- C6072-60306 HP-GL/2 driver software for AutoCAD - For DOS and Windows 3.1/95/NT 4.0 - On 3.5-inch 1.44MB floppy disks (Spanish)
- C6072-60307 HP-GL/2 driver software for AutoCAD - For DOS and Windows 3.1/95/NT 4.0 - On 3.5-inch 1.44MB floppy disks (Italian)

### Stand

- C2975A HP LaserJet Printer Cabinet - For LaserJet 5Si family and 8000/8100 series printers - Supports the printer, and provides storage for supplies and accessories

### Staple Cartridge

- C3772A HP LaserJet flat-wire staple cartridges for Multi-Bin Mailbox with Stapler - For LaserJet 8000, 8100, 8150, 5Si series and Mopier 240, 320 - Package of 3 with 2000 staples/cartridge - (C3774A)

### Training Kit

- C4085-67901 Self paced training kit for LaserJet 5Si Series and 8000 Series - Includes NTSC format video (VHS), and student guide - Test available from Hewlett-Packard Insight
- C4085-67902 Self paced training kit for LaserJet 5Si Series and 8000 Series - Includes PAL format video (VHS), and student guide
- C4214-67901 Self Paced Training Kit for LaserJet 5Si Series,8000,8100 and 8150

## Other Internal Parts

### Arm

- 241 RB1-6417-000CN Registration paper sensor arm - Senses paper in registration assembly
- 242 RB1-6444-000CN Release arm - Front toner cartridge release arm - Hook shaped cartridge holder
- 243 RB1-6446-000CN Release arm - Toner cartridge release arm - Hook shaped cartridge holder
- 244 RB1-6557-000CN Paper input unit sensor arm - Senses when paper passes through paper input unit

### Cable

- 245 RG5-1850-000CN Duplexer cable assembly - From duplexer to DC controller
- 246 RG5-1920-000CN Cassette size sensor cable - Between cassette size sensor PCA's and formatter board
- 247 RG5-1921-000CN Fan cable - Fan 3 power cable
- 248 RG5-1928-000CN Registration cable assembly - Includes 7P and 3P connectors

### Clutch

- 249 RH7-5204-000CN Paper feed clutch

### Drive Assembly

- 250 RF9-1249-000CN Diverter drive assembly - 4 gear drive assembly - 20 tooth gear NOT included

### Fan

- 251 RH7-1266-000CN Tubeaxial fan assembly (FM2)
- 252 RH7-1271-000CN Formatter board fan (FM3)
- 253 RH7-1289-000CN Delivery assembly fan (FM4)

### Gear

- 254 RA9-1127-000CN Gear - 20 tooth

### Guide

- 255 RB1-6443-000CN Toner cartridge guide - Front guide - Plastic piece with slot to guide toner cartridge
- 256 RB1-6771-000CN PCA guide - Formatter board support guides
- 257 RB1-6775-000CN Slide guide - Guide for formatter PCA

### Laser/Scanner

- 258 C3166-69006 Laser/scanner assembly  
REQUIRES RETURN OF DEFECTIVE PART
- RG5-1895-000CN *New Part for C3166-69006*



**Other Internal Parts**

**Lever**

- 259 RB1-6692-000CN Paper sensing lever - Senses paper in face down delivery assembly
- 260 RB1-6693-020CN Paper height lever - Senses when face-down tray is full

**Motor**

- 261 RH7-1262-000CN Paper input motor

**PC Board**

- 262 RG5-1845-000CN Paper size sensor board - Used to sense paper size in upper and lower paper trays

**Plate**

- 263 RF5-1464-000CN Switch/sensor board plate - Shields switch/sensor PCA

**Rail**

- RB1-6777-000CN Right side tray rail

**Roller**

- RB1-6581-000CN Feed roller - Shaft with four rubber rollers - Under toner cartridge and green handle 3
- 266 RF5-1834-000CN Feed/separation roller - Has a blue gear on one end and blue release tab on the other - Mounts in the paper input unit assembly (4 used)
- 267 RF5-1835-000CN Pickup roller assembly - Has attached black plastic gear - Mounts in the paper input unit (two Used)

**Sensor**

- 268 WG8-0291-000CN Photo sensor

**Shield**

- 269 RF5-1466-000CN Formatter board EMI shield

**Torque Limiter**

- 270 RB1-6588-000CN Torque limiter

**Paper Path Parts**

**Bushing**

- 271 RB1-6441-000CN Transfer guide bushing

**Clip**

- 272 RB1-6708-000CN Retainer clip - Keeps multipurpose/tray 1 hinge in place - Black plastic clip for left side tray 1 hinge stop
- 273 RB1-6709-000CN Retainer clip - Keeps multipurpose/tray 1 hinge in place - Black plastic clip for right side tray 1 hinge

**Clutch**

- 274 RH7-5203-000CN Registration assembly clutch

**Cover**

- 275 RB1-6468-000CN Clutch cover - Paper feed clutch cover

**Delivery**

- 276 RG5-1874-110CN Face down delivery assembly - Feeds paper to top of printer

**Diverter**

- 277 RG9-1150-000CN Diverter assembly - Diverts paper to duplexer assembly or face up tray or face down delivery assembly

**Feed Assembly**

- 278 RG5-1834-000CN Feeder assembly - Transfer roller and registration assembly are mounted on this assembly

**Gear Assembly**

- 279 RG5-1847-000CN Main print drive gear assembly

**Guide**

- 280 RF5-1394-000CN Transfer guide - Guide transfer roller is mounted into

www.druckparts.pl



**Paper Path Parts**

**Kit**

- C3971-67903 Maintenance kit (120V) - Replacement parts after 350K pages includes, fusing assembly, eight feed/separation rollers, and transfer roller - NOTE: Pickup rollers are not included in this kit - Please order separately if needed
- C3971-69002 Maintenance kit (120V) - Replacement parts after 350K pages includes, fusing assembly, eight feed/separation rollers, and transfer roller - NOTE: Pickup rollers are not included in this kit - Please order separately if needed  
REQUIRES RETURN OF DEFECTIVE PART
- C3971-67903 *New Part for C3971-69002*
- C3971B Maintenance kit (120V) - Replacement parts after 350K pages includes, fusing assembly, 6 feed/separation rollers, and transfer roller
- C3972-67903 Maintenance kit (220V) - Replacement parts after 350K pages includes, fusing assembly, eight feed/separation rollers, and transfer roller - NOTE: Pickup rollers are not included in this kit - Please order separately if needed
- C3972-69002 Maintenance kit (220V) - Replacement parts after 350K pages includes, fusing assembly, eight feed/separation rollers, and transfer roller - NOTE: Pickup rollers are not included in this kit - Please order separately if needed  
REQUIRES RETURN OF DEFECTIVE PART
- C3972-67903 *New Part for C3972-69002*

**Motor**

- 286 RH7-1260-000CN Main motor

**Pad**

- 287 RF5-1455-000CN Multipurpose paper input tray separation pad

**Pickup Assembly**

- 288 C3166-69020 Paper pickup assembly - Includes pickup, feed and separation rollers  
REQUIRES RETURN OF DEFECTIVE PART  
*RG5-1852-490CN New Part for C3166-69020*
- 289 RG5-1880-100CN Paper pickup assembly

**Roller**

- RB1-6623-030CN Lower roller in fusing assembly - Black pressure roller
- 291 RB1-6730-000CN Multipurpose paper input tray feed roller
- 292 RB1-6822-000CN Duplex roller - Roller in center of duplexer
- 293 RF5-1412-000CN Transfer charge roller (Black)

**Roller Assembly**

- RB1-6622-050CN Fusing roller assembly with internal heating element - Upper roller in fuser assembly
- 295 RG5-1833-040CN Registration assembly - Set of rollers before toner cartridge and after feed rollers - Has green handle with the number 2 printed on it
- RG5-1887-000CN Transfer Roller Assembly - Includes transfer guide bushings, transfer guide and transfer roller

**Solenoid**

- 297 RG5-1875-000CN Face up solenoid assembly

**Power Supplies and Parts**

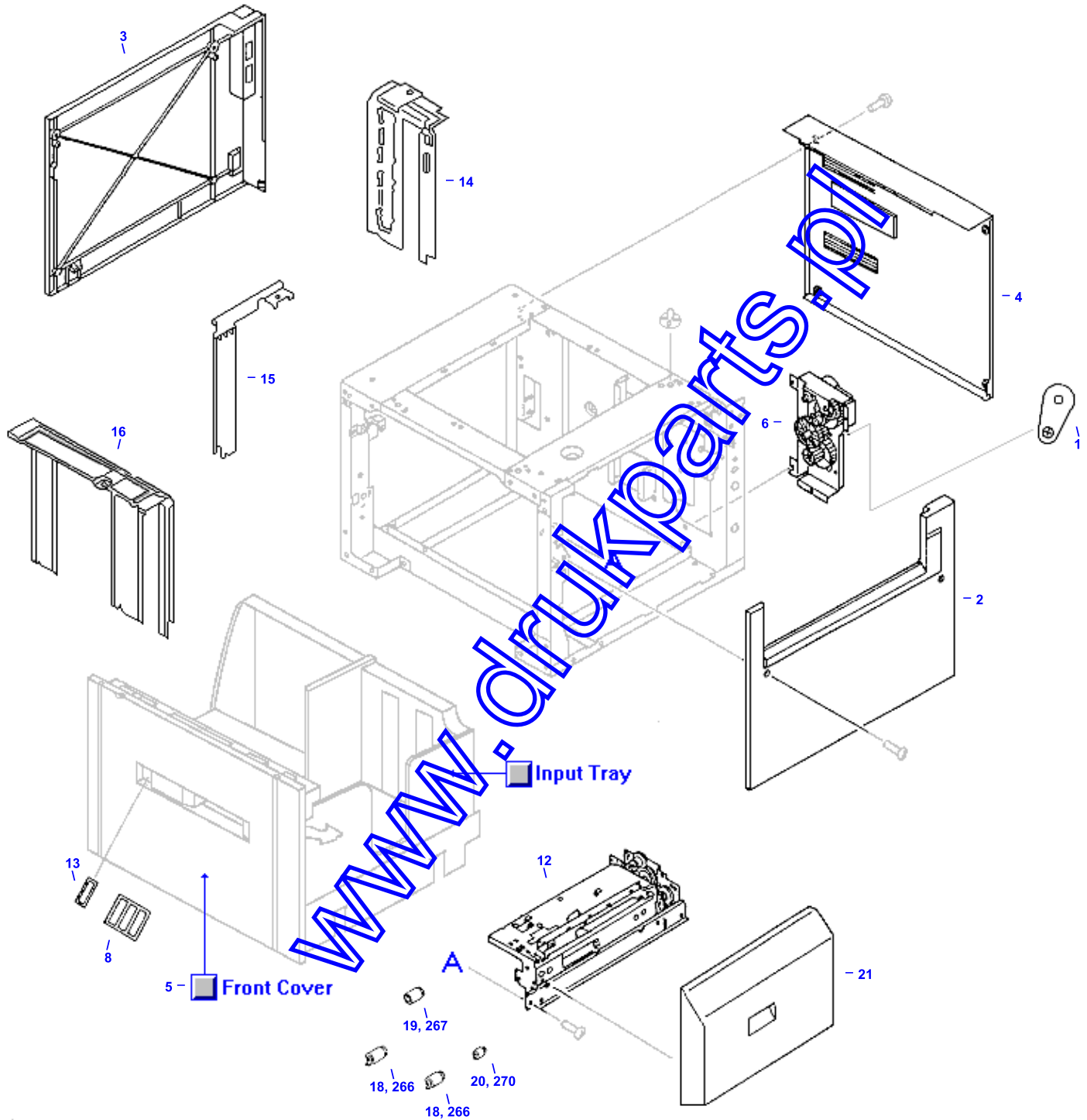
**Fuse**

- 298 VD5-0056-301CN Low voltage power supply fuse - For 110/120V operation
- 299 VD7-0646-301CN Low voltage power supply fuse - For 220/240V operation

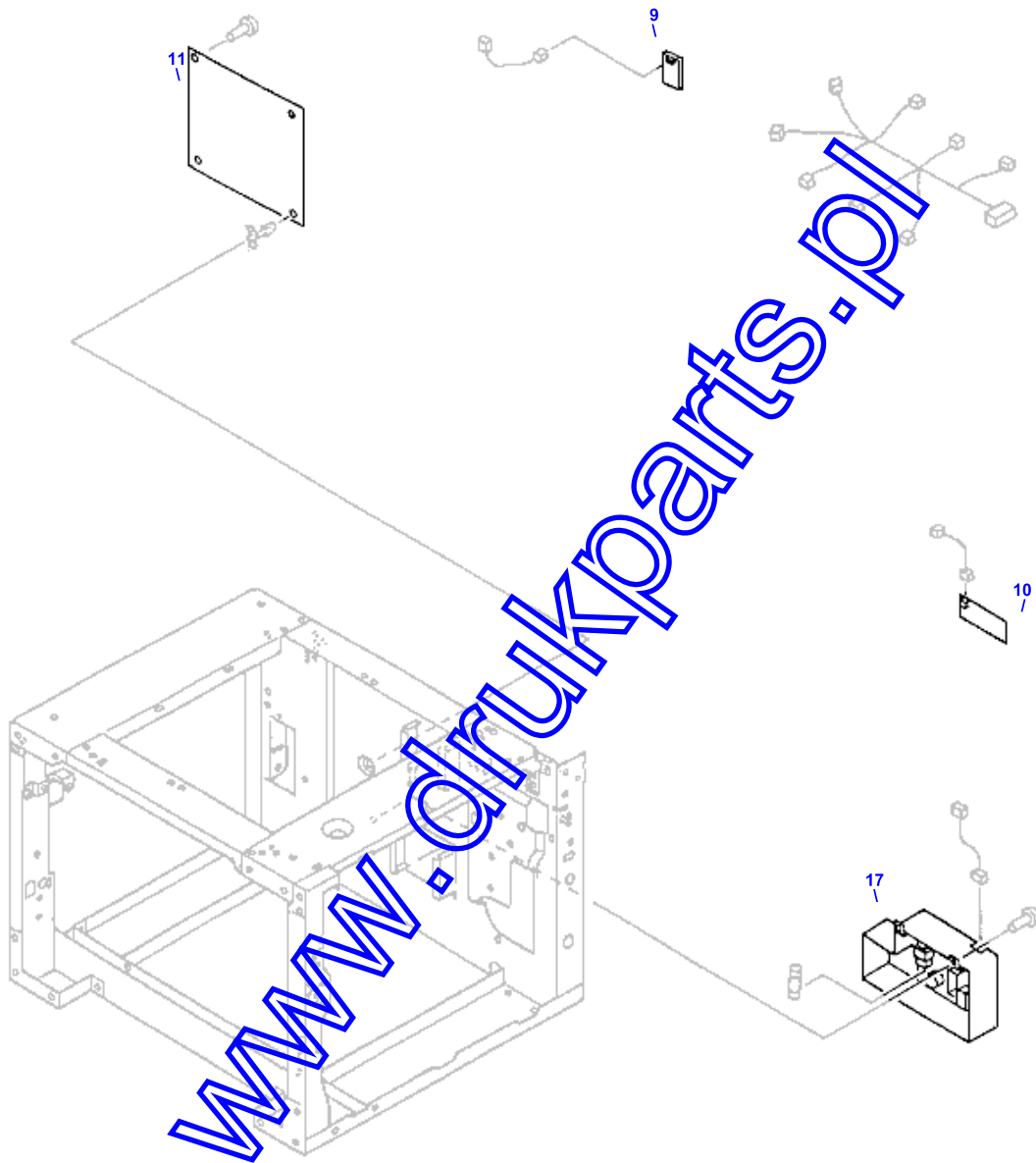
**Power Supply**

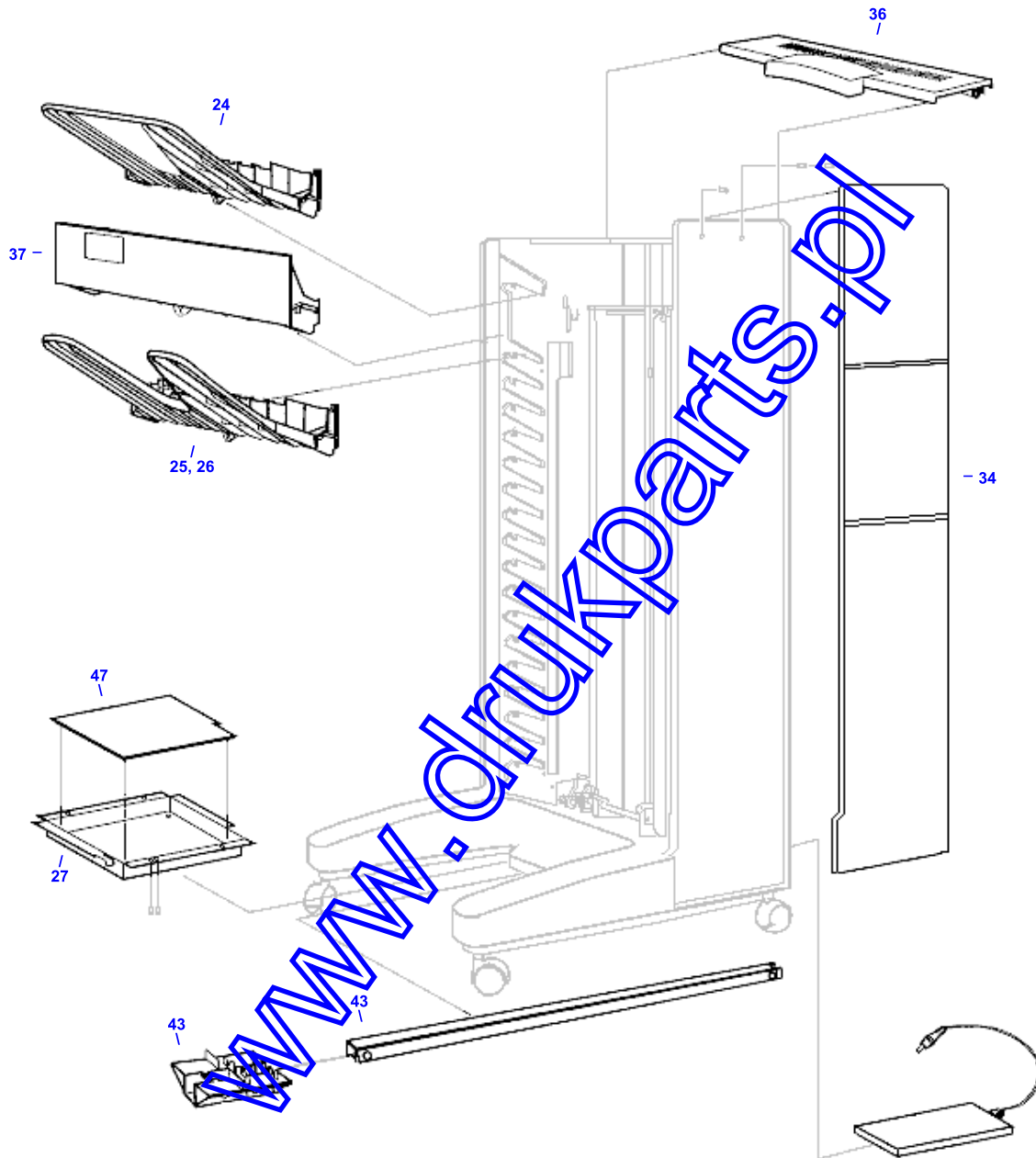
- 300 C3166-69008 Low voltage power supply - 240VAC, 50Hz - Includes power switch, AC receptacle and DC power supply  
REQUIRES RETURN OF DEFECTIVE PART  
*RG5-1878-000CN New Part for C3166-69008*
- 301 C3166-69019 Low voltage power supply - Includes power switch, AC receptacle, and DC power supply
- 302 C3166-69021 High voltage power supply assembly  
REQUIRES RETURN OF DEFECTIVE PART  
*RG5-1888-150CN New Part for C3166-69021*

C3763A 2000 Sheet Tray Covers and Doors



C3763A 2000 Sheet Tray Internal Parts



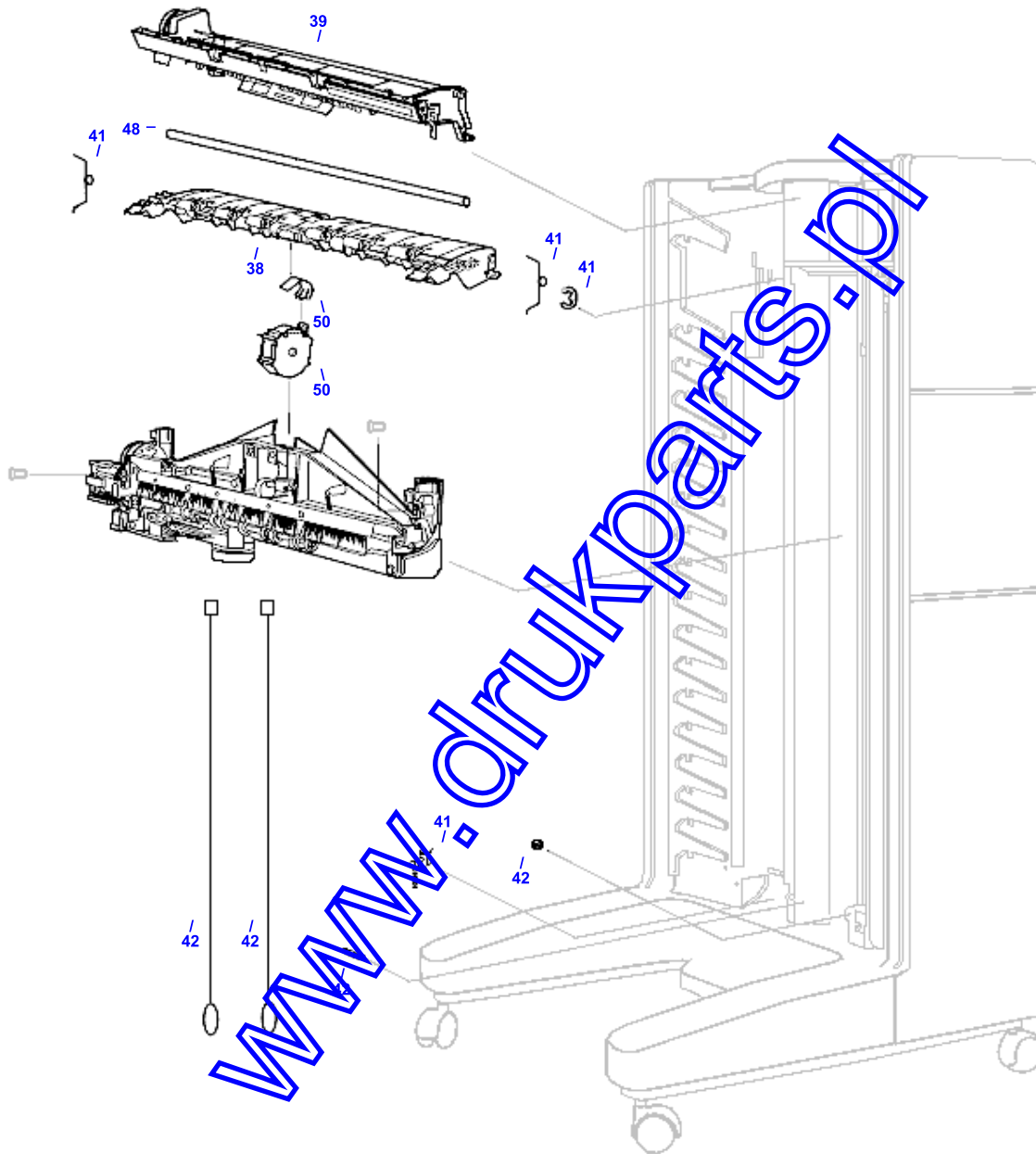




C3764A Multi-Bin Mailbox (2 of 3)

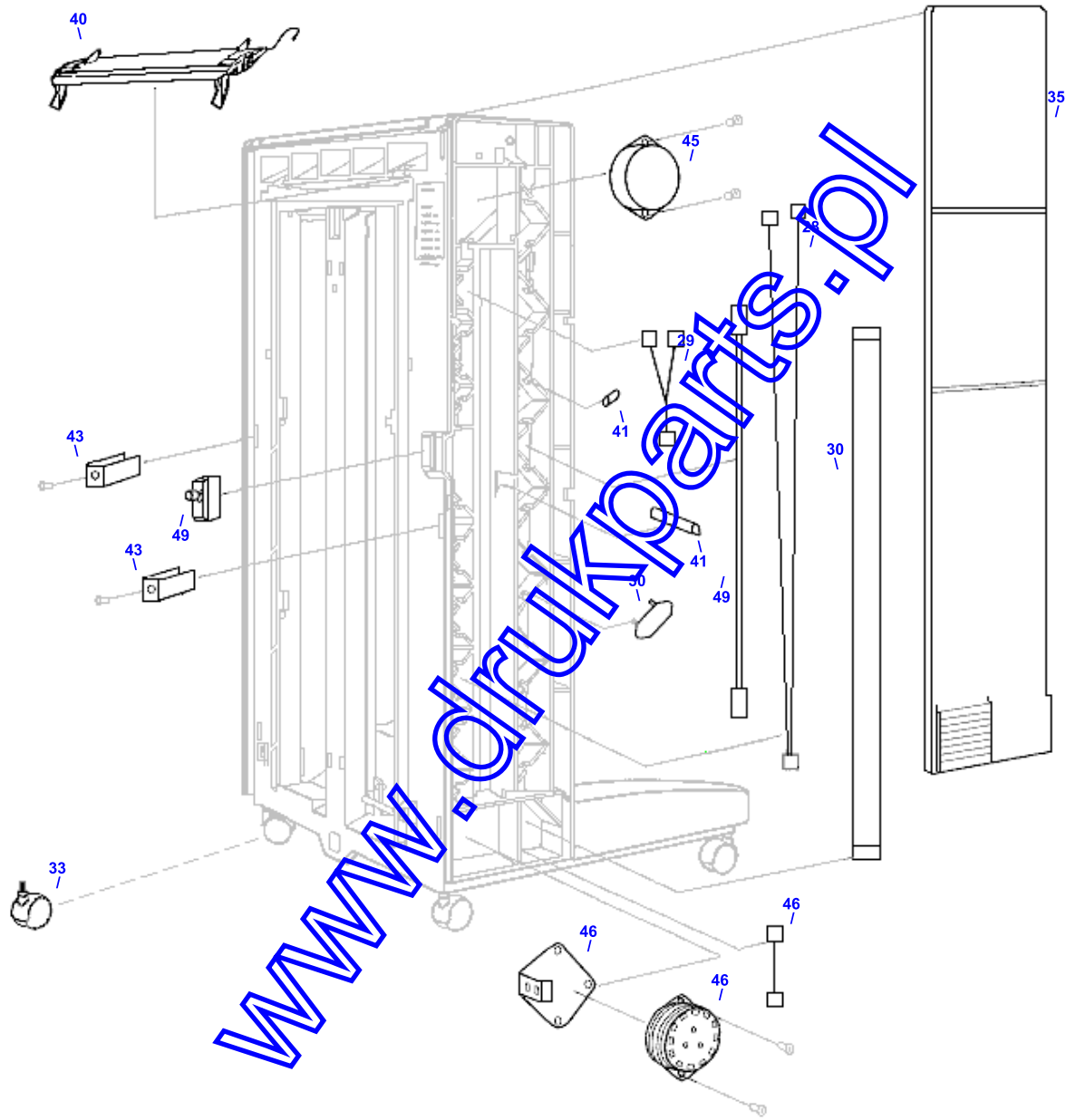
← 1 of 3

3 of 3 →

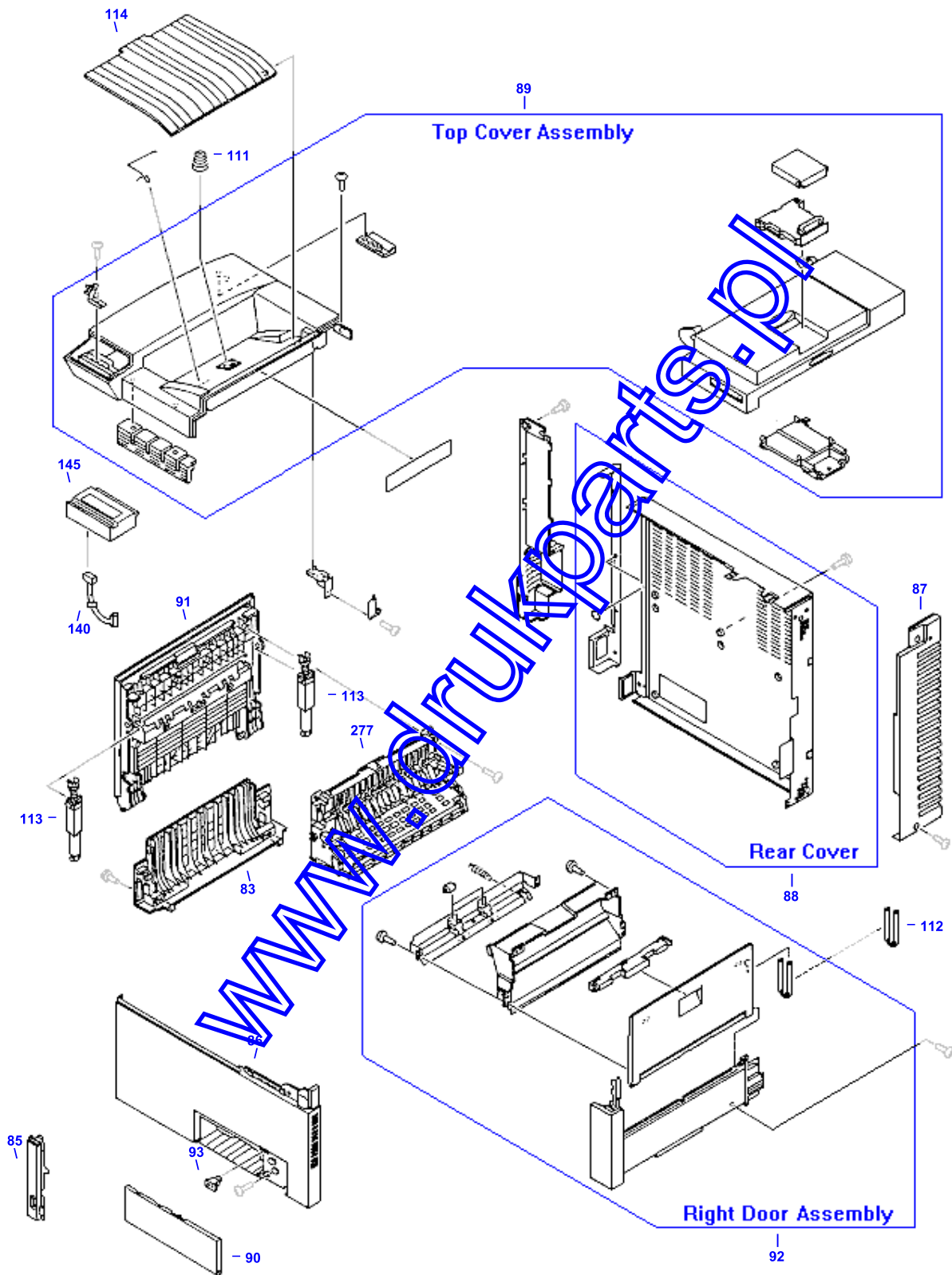


C3764A Multi-Bin Mailbox (3 of 3)

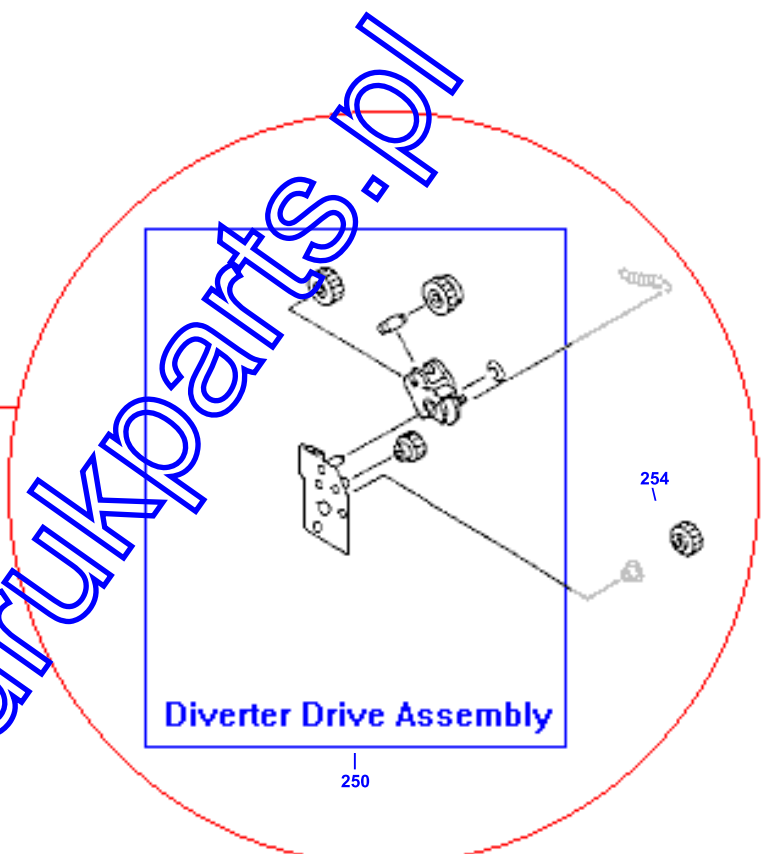
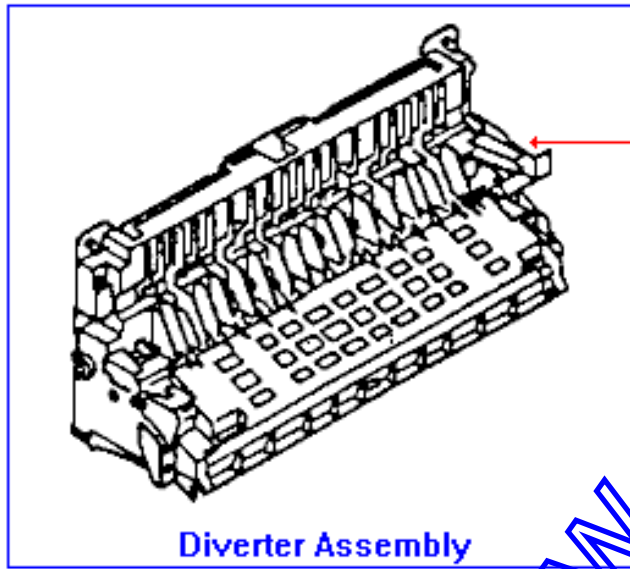
← 2 of 3



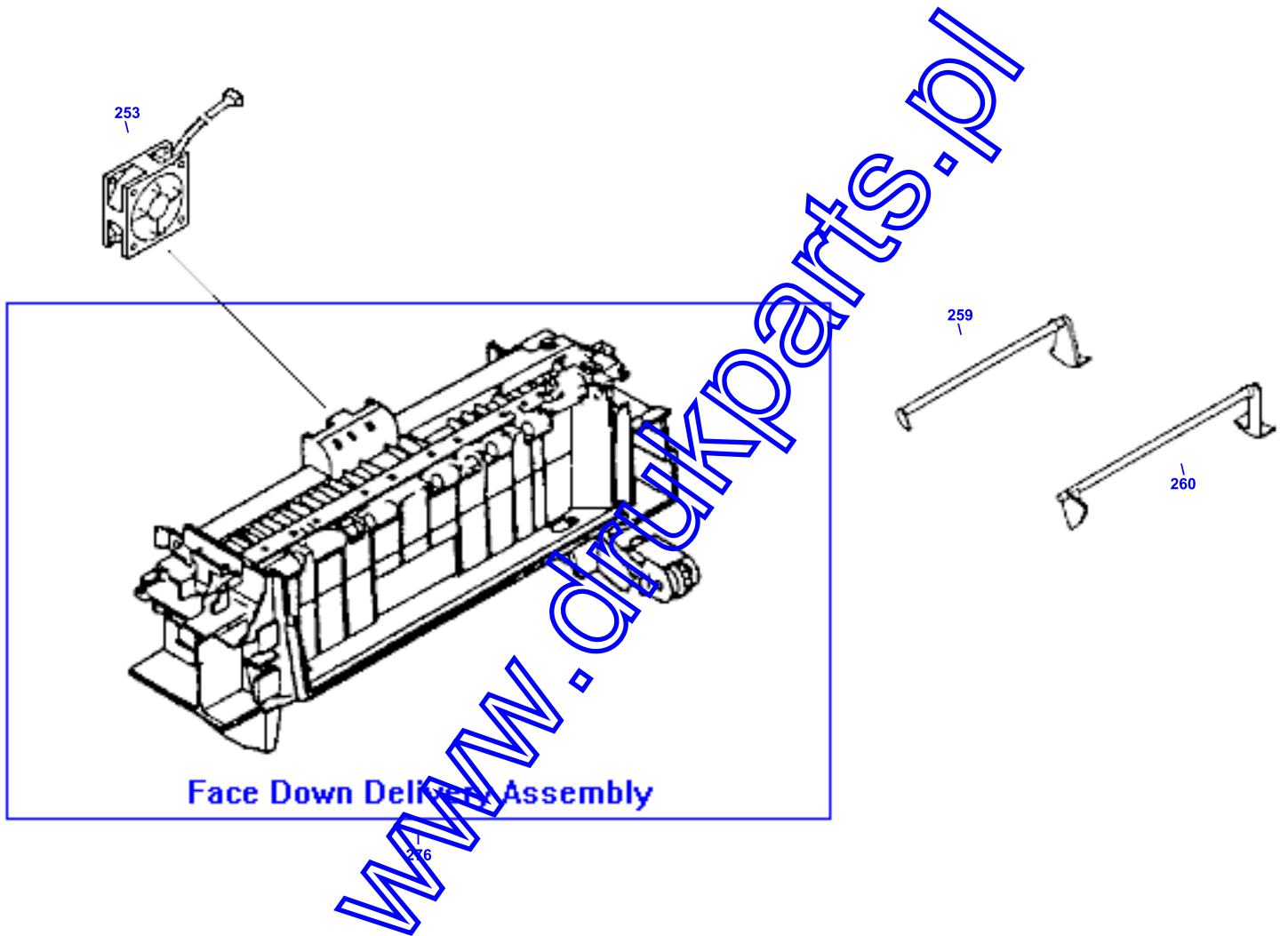
Covers and Doors



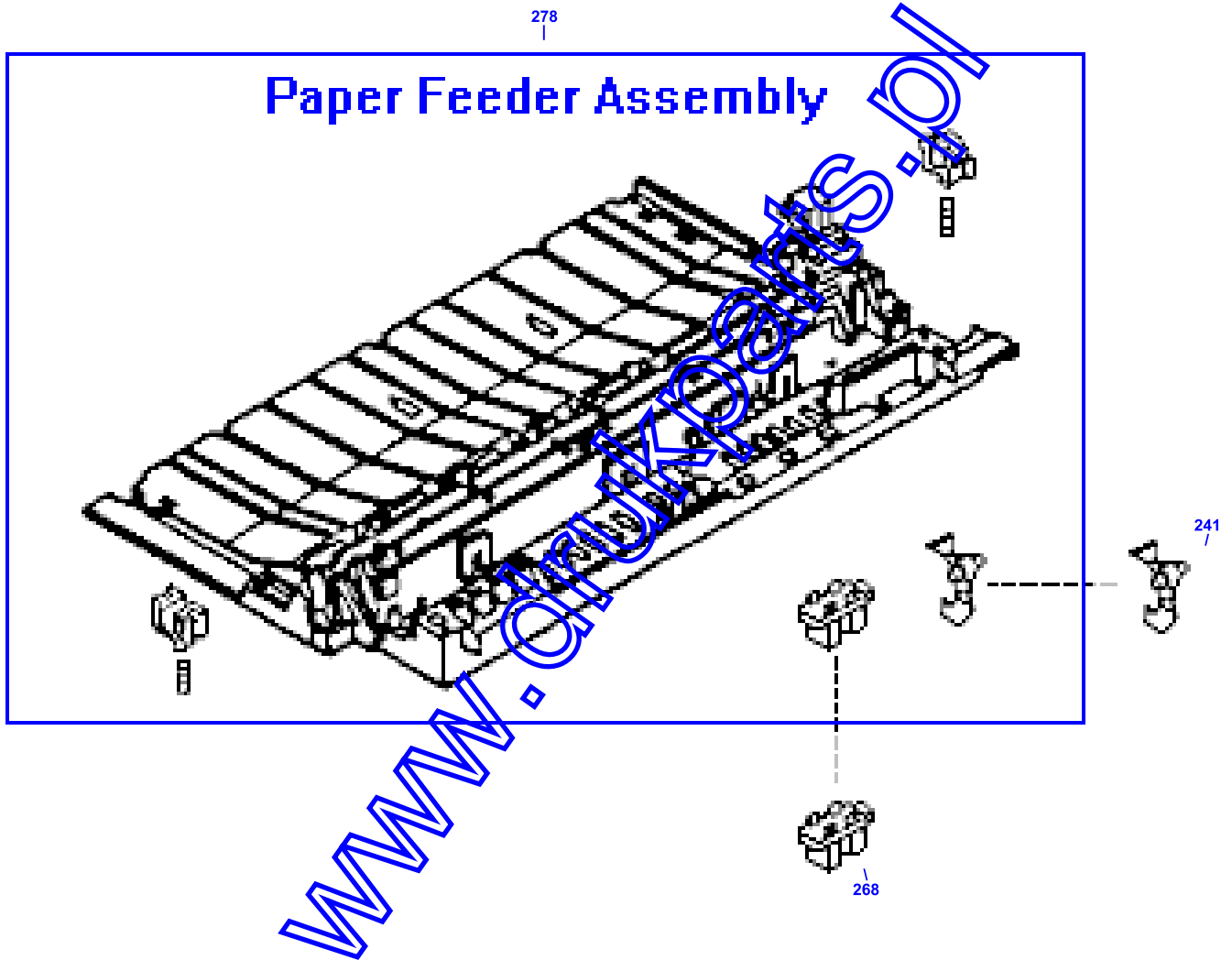
Diverter Assembly



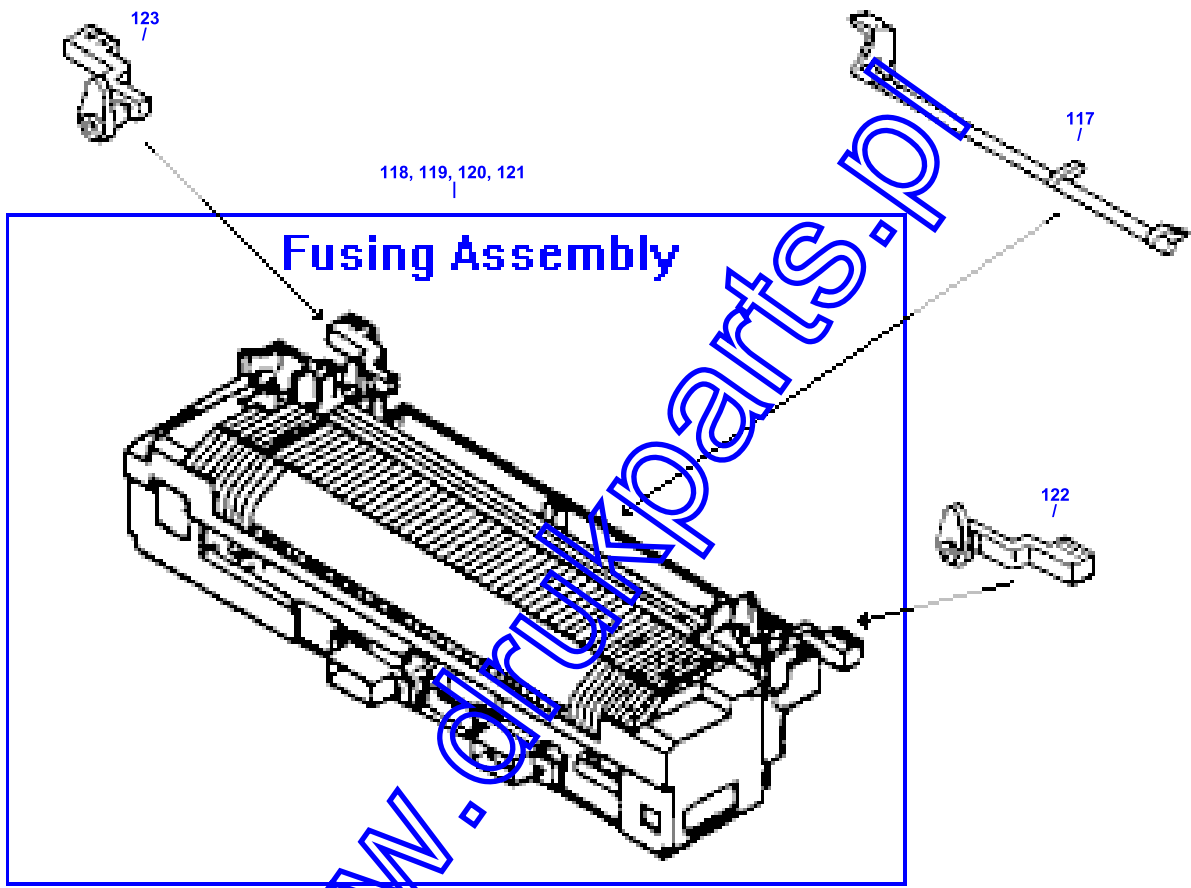
Face Down Delivery Assembly



Feeder Assembly

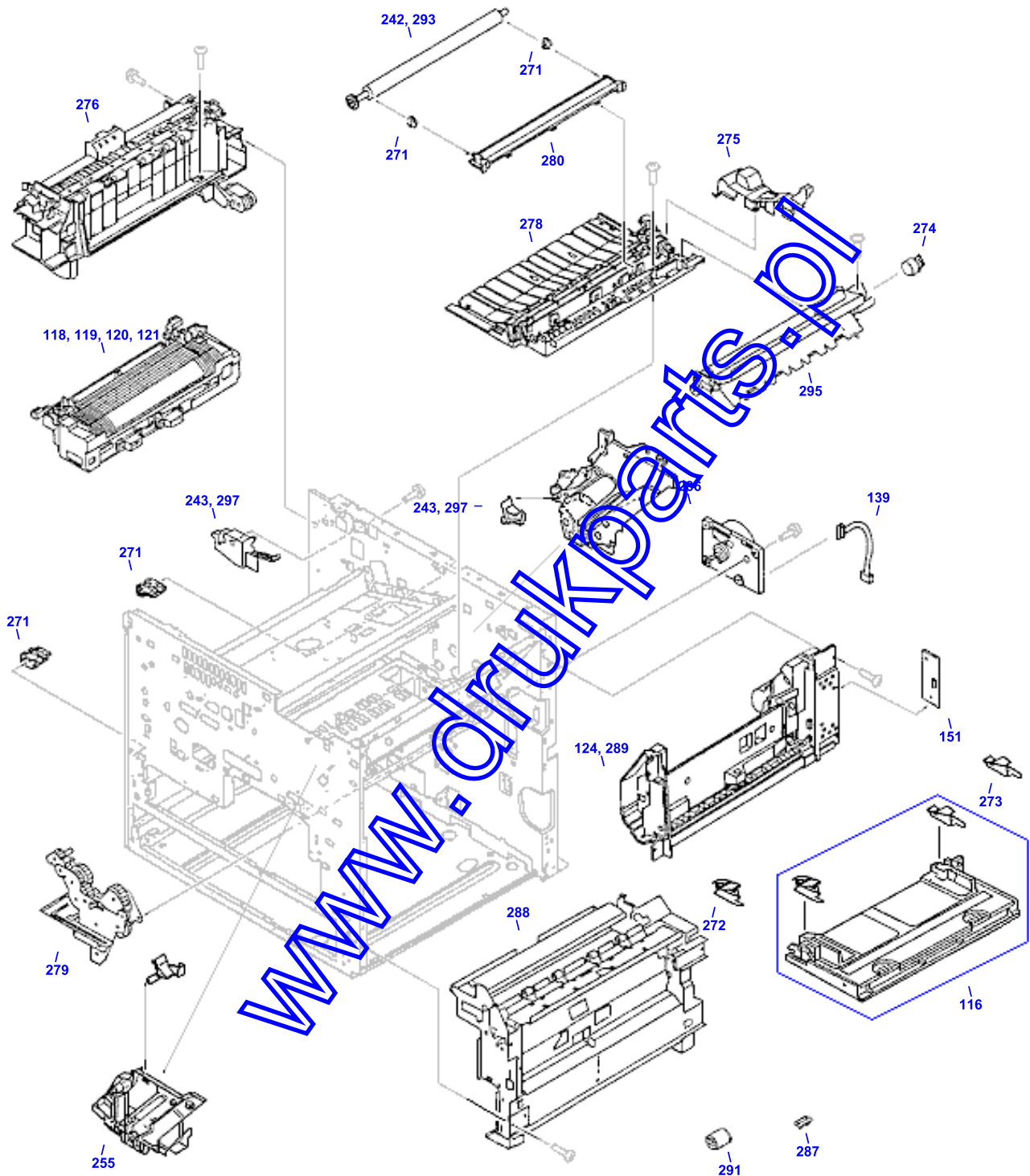


Fusing Assembly



Internal Components (1 of 3)

2 of 3 →

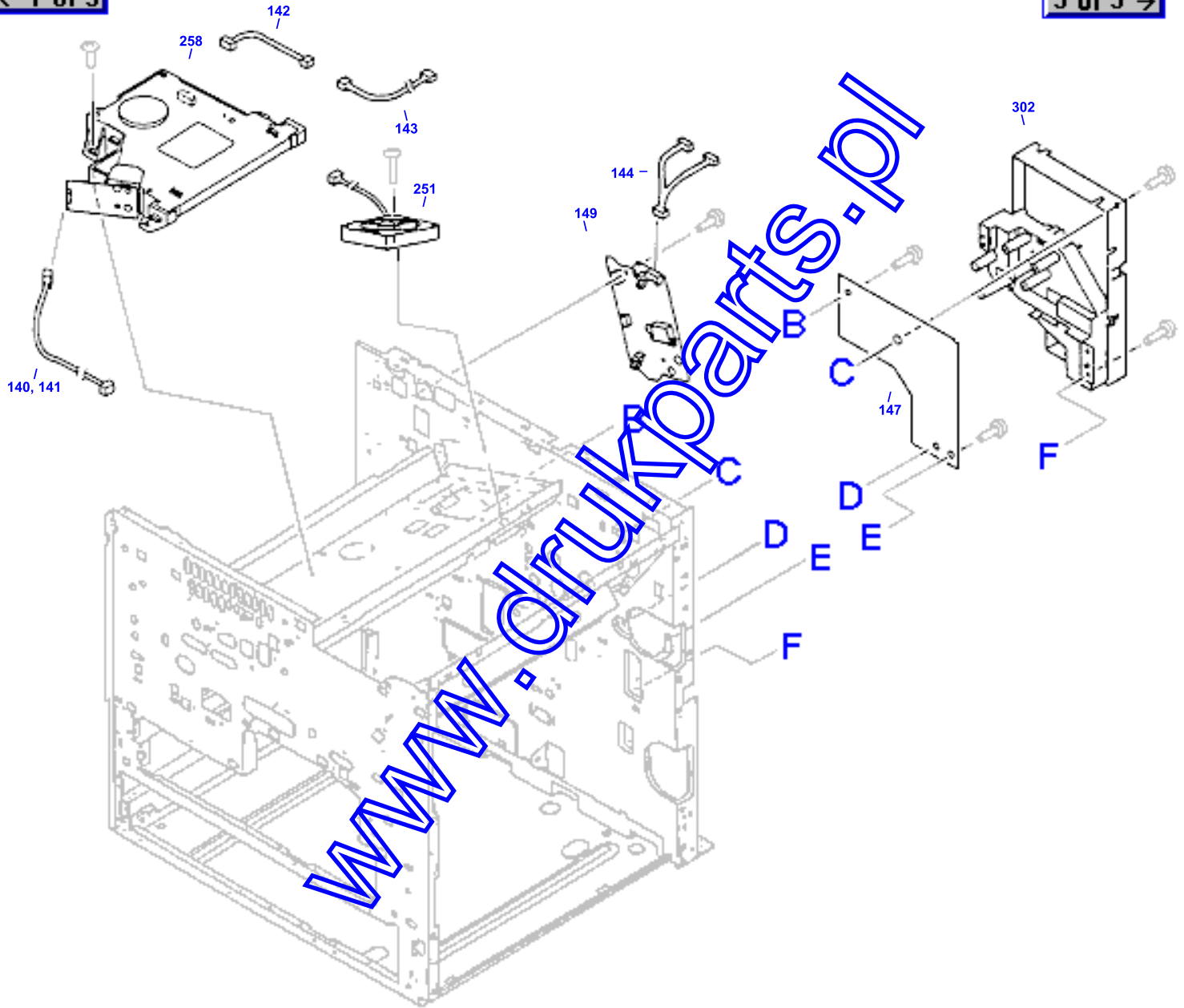




Internal Components (2 of 3)

← 1 of 3

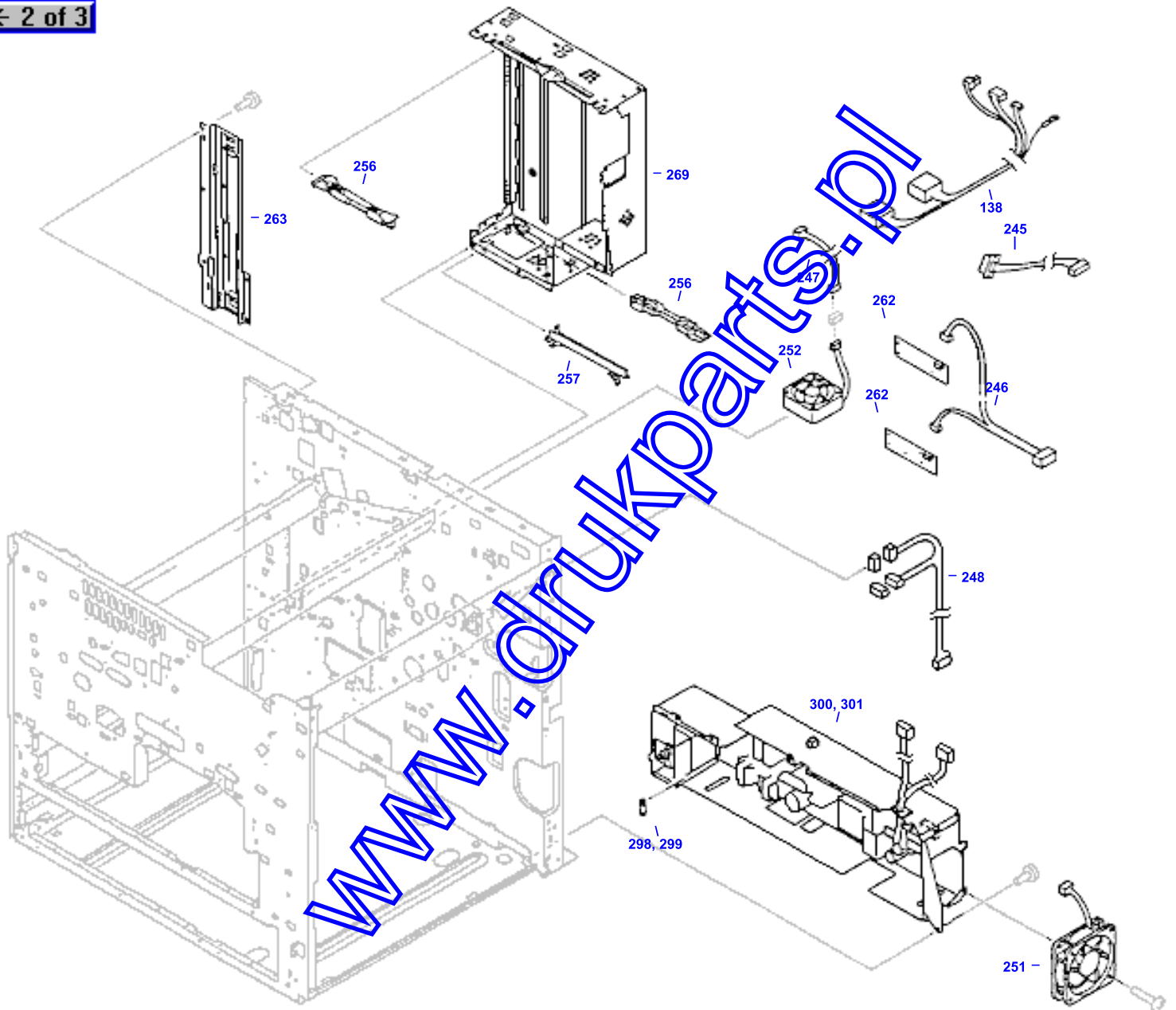
3 of 3 →



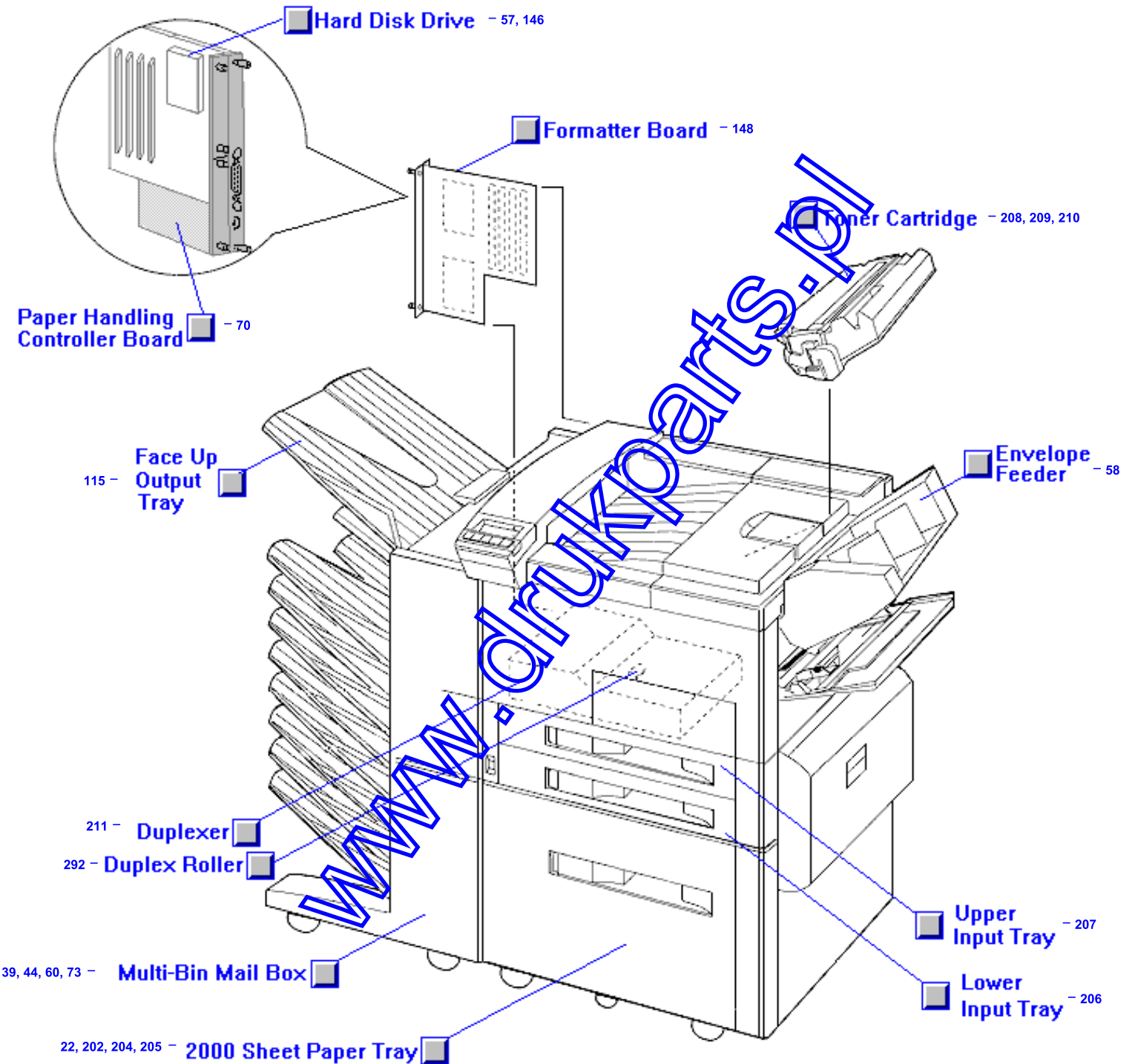
www.drukparts.pl

Internal Components (3 of 3)

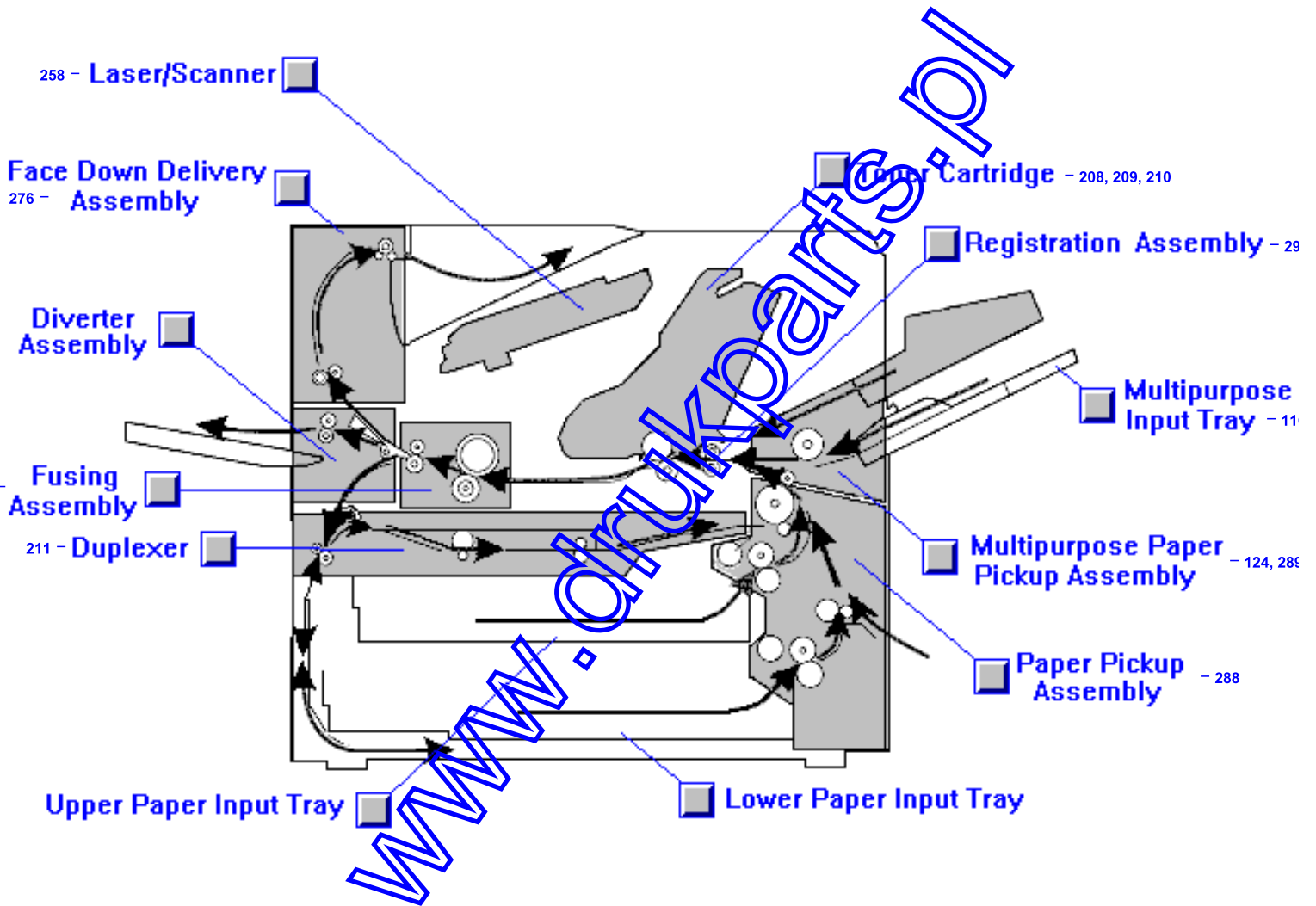
← 2 of 3



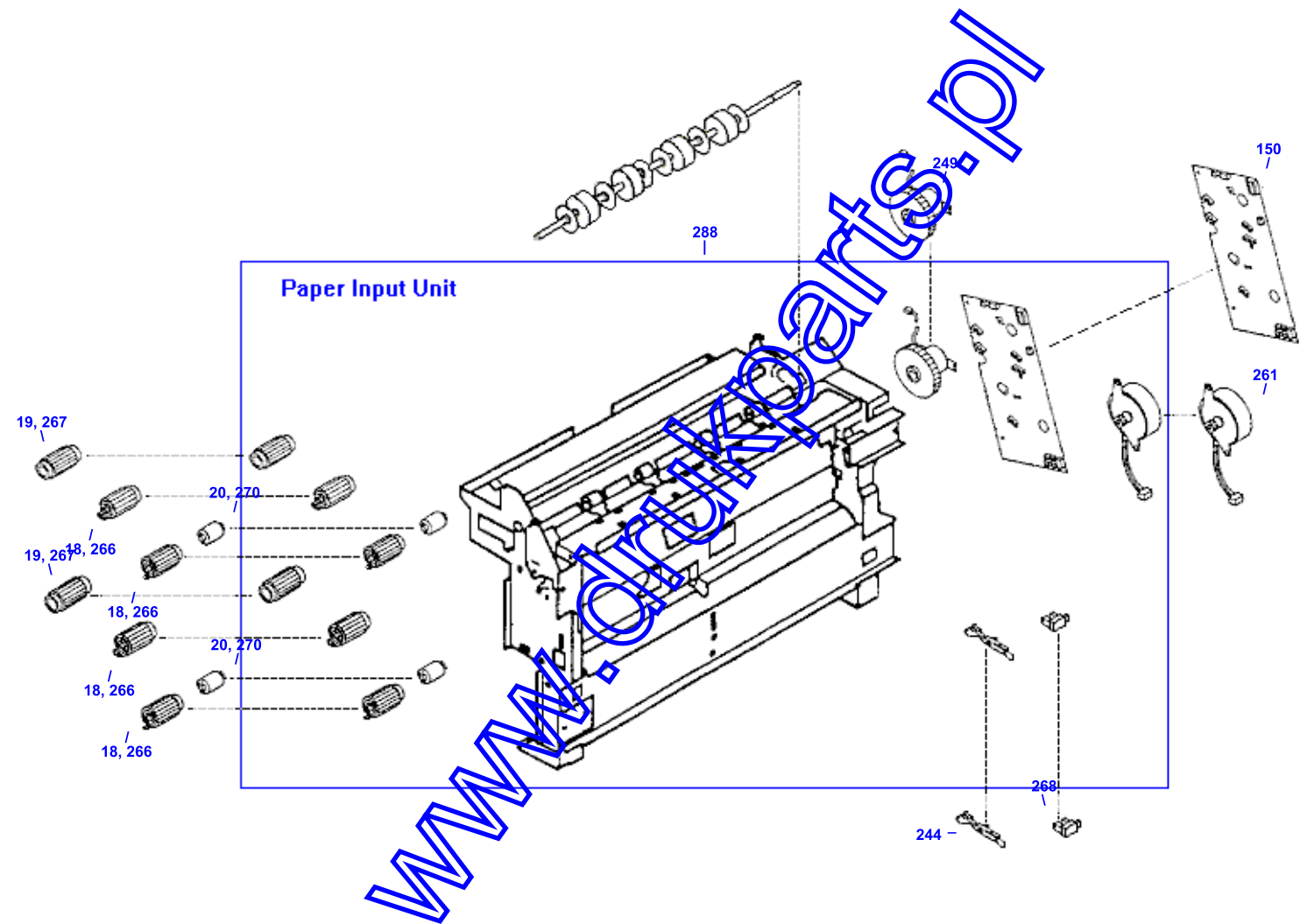
Major Printer and Paper Handling Parts



Overall Paper Path Parts



Paper Pickup Assembly





**HP Parts Reference Guide**

<http://www.hp.com/go/parts>

**HP PartSurfer**

<http://partsurfer.hp.com>

**HP Parts Ordering Information**

<http://www.hp.com/go/hpparts>

**HP Parts Questions/Comments**

<http://partsurfer.hp.com/contactus.htm>

[www.drukparts.pl](http://www.drukparts.pl)