



Accessories

Kit

- H3973-60001 Maintenance kit (120V) - Includes Fusing assembly, transfer roller, MP Tray pickup roller, D shaped pickup roller, separation roller - Procedure requires service manual
- H3973-69001 Maintenance kit (120V) - Includes fusing assembly, transfer roller, MP Tray pickup roller, paper cassette D shaped pickup roller, separation roller - Procedure requires service manual
NO LONGER SUPPLIED
REQUIRES RETURN OF DEFECTIVE PART
- H3973-60001 New Part for H3973-69001*

Electronic Accessories

Cable (Interface)

- 5063-1254 IEEE-1284 Bi-Tronics parallel cable - DB-25 (M) connector (type A) to 36 pin high density IEEE-1284C (M) connector (type C) - 3.0m (9.8ft) long
- 5063-1256 IEEE-1284 Bi-Tronics parallel cable - DB-25 (M) connector (type A) to 36 pin Centronics (M) connector (type B) - 2.0m (6.6ft) long
- 5063-1257 IEEE-1284 Bi-Tronics parallel cable - DB-25 (M) connector (type A) to 36 pin Centronics (M) connector (type B) - 3.0m (9.8ft) long
- 92215N Interface cable kit - For HP peripherals designed for use in an AppleTalk/Pronet network - Not for Macintosh models that have recessed I/O connectors
- C2946A IEEE-1284 Bi-Tronics parallel cable - DB-25 (M) connector (type A) to 36 pin high density IEEE-1284C (M) connector (type C) - 3.0m (9.8ft) long
- C2950A IEEE-1284 Bi-Tronics parallel cable - DB-25 (M) connector (type A) to 36 pin Centronics (M) connector (type B) - 2.0m (6.6ft) long
- 5063-1256 New Part for C2950A*
- C2951A IEEE-1284 Bi-Tronics parallel cable - DB-25 (M) connector (type A) to 36 pin Centronics (M) connector (type B) - 3.0m (9.8ft) long
- C2990A IEEE-1284 Bi-Tronics parallel cable - DB-25 (M) (type A) to 36 pin (M) Centronics (type B) - 1.8m (6ft) long
NO LONGER SUPPLIED
- C2991A IEEE-1284 Bi-Tronics parallel cable - DB-25 (M) (type A) to 36 pin (M) Centronics (type B) - 3.0m (10ft) long
NO LONGER SUPPLIED

Fax

- C2971A HP PrinterPal accessory - Adds (External) fax capabilities to the LaserJet printer
NO LONGER SUPPLIED

Memory (Product)

- C3131A 2MB, 70nS, 36-bit SIMM memory module - For HP LaserJet 4P, 4+, 4V, 5, 5N, 5M, 5P, 5Si
NO LONGER SUPPLIED
- C3146-67901 New Part for C3131A*
- C3132A 4MB, 70nS, 36-bit SIMM memory module - For HP LaserJet 4P, 4+, 4V, 5, 5N, 5M, 5P, 5Si
NO LONGER SUPPLIED
- C3146-67901 New Part for C3132A*
- C3133A 8MB, 70nS, 36-bit SIMM memory module - For HP LaserJet 4P, 4+, 4V, 5, 5N, 5M, 5P, 5Si
NO LONGER SUPPLIED
- C3146-67901 New Part for C3133A*

Memory (SIMM)

- C2747-69501 16MB SIMM memory module
REQUIRES RETURN OF DEFECTIVE PART
- 1818-5621 New Part for C2747-69501*
- C3130-60001 1MB, 32-bit SIMM memory module
- C3131-67901 2MB, 32-bit SIMM memory module
NO LONGER SUPPLIED
- C3146-67901 New Part for C3131-67901*
- C3132-67901 4MB, 70nS, 36-bit parity SIMM memory module
NO LONGER SUPPLIED
- C3146-67901 New Part for C3132-67901*



Electronic Accessories

Memory (SIMM)

C3133-67901	8MB, 70nS, 36-bit parity SIMM memory module NO LONGER SUPPLIED
C3146-67901	<i>New Part for C3133-67901</i>
C3146-67901	16MB SIMM memory module

PostScript

C3152-69001	PostScript level 2 SIMM module
C3152A	Adobe's PostScript (Level 2) SIMM module NO LONGER SUPPLIED

External Case Parts

Arm

RB1-5939-000CN	Sensor arm - Detects if paper is in multipurpose input tray
----------------	---

Button

RB1-5935-000CN	Lock button - Unlocks top cover door NO LONGER SUPPLIED
RB1-5936-000CN	Top cover door lock button guide NO LONGER SUPPLIED

Cover

RB1-5931-000CN	Main top cover/case assembly - Top door NOT included NO LONGER SUPPLIED
RB1-5934-000CN	Interface connector cover
RG5-1699-000CN	Power cord cover assembly - Power button and spring included NO LONGER SUPPLIED
RG5-1710-000CN	Left side cover assembly - Includes interface connector cover, light pipe block, and infrared filter lens NO LONGER SUPPLIED

Door

RG5-1709-000CN	Top door assembly - Attaches to main top cover/case assembly NO LONGER SUPPLIED
----------------	--

Foot

RB1-6007-000CN	Rubber foot NO LONGER SUPPLIED
----------------	-----------------------------------

Nameplate/Logo

C3150-00004	Nameplate - LaserJet 5P printer NO LONGER SUPPLIED
-------------	---

Spring

RS5-2228-000CN	Top door latch spring - Attaches to the lock button NO LONGER SUPPLIED
----------------	---

Tray

RG5-1697-000CN	Multi-Purpose input tray (Tray 1) - Fold down front cover
RG5-1707-020CN	Face-up paper output tray assy - Attaches to rear of printer - Includes main tray that attaches to printer ribbed flapper part, and slide out extension tray

Fusing Assembly Parts

Cover

RB1-5918-000CN	Delivery cover
----------------	----------------

Delivery

RG5-0681-000CN	Delivery assembly - Plastic guide with two spring loaded rollers - Mounts in the fusing assembly
----------------	--



Fusing Assembly Parts

Fusing Assembly

- 39 5182-2807 Fusing assembly (For 220V to 240V operation) - Bonds toner to paper by heat - In quantity price break packaging (Contains 5 New fusing assemblies)
NO LONGER SUPPLIED
- 40 5182-2808 Fusing assembly (For 220V to 240V operation) - Bonds toner to paper by heat - In quantity price break packaging (Contains 10 New fusing assemblies)
- 41 C3150-69003 Fusing assembly (for 100V to 120V operation) - Bonds toner to paper with heat
NO LONGER SUPPLIED
- 42 C3150-69004 Fusing assembly (For 220V to 240V operation) - Bonds toner to paper with heat
NO LONGER SUPPLIED
REQUIRES RETURN OF DEFECTIVE PART
- RG5-1701-250CN *New Part for C3150-69004*

Gear

- 43 RS5-0637-000CN Drive gear - 24 tooth
NO LONGER SUPPLIED

Lever

- 44 RB1-3097-000CN Paper exit (flag) lever - For the exit sensor - Mounts in the fusing assembly
- 45 RB1-5906-000CN Fuser release lever - For clearing paper jams

Roller

- 46 RB1-3107-000CN Plastic roller (Clear) - Part of the delivery assembly - Mounts in the fusing assembly (two used)
- 47 RB1-3109-000CN Conductive roller - 'Tire' like roller that mounts on end of pressure roller shaft (Next to drive gear) - Mounts in the fusing assembly
NO LONGER SUPPLIED
- 48 RB1-5910-030CN Lower pressure roller - Hard rubber roller in fusing assembly
NO LONGER SUPPLIED
- 49 RB1-5917-000CN Exit roller - Shaft with 3 rubber rollers - In fusing assembly
NO LONGER SUPPLIED
- 50 RG5-1702-080CN Fusing roller assembly (For 100V to 120V operation) - Includes heating element and teflon sleeve
- 51 RG5-1703-080CN Fusing roller assembly (For 220V to 240V operation) - Includes heating element and teflon sleeve

Spring

- 52 RB1-3108-000CN Delivery roller retaining spring - Mounts in the fusing assembly
NO LONGER SUPPLIED
- 53 RS5-2421-000CN Hook spring - Keeps fusing assembly closed
NO LONGER SUPPLIED

Labels and Transparencies

Film (Transparency)

- 92296U LaserJet printer transparency film - A4 size (21.0cm x 29.7cm) - 50 sheets per box
- 92296T LaserJet printer transparency film - A size (8.5 x 11-inches) - 50 sheets per box

Labels

- 92296A LaserJet printer addressing labels - 2.54cm (1.00in) x 6.67cm (2.63in) labels - 30 per sheet - 100 sheets per box
NO LONGER SUPPLIED
- 92296B LaserJet printer addressing labels - 3.38cm (1.33in) x 10.2cm (4.00in) labels - 14 per sheet - 100 sheets per box
NO LONGER SUPPLIED
- 92296C LaserJet printer addressing labels - 2.54cm (1.00in) x 10.2cm (4.00in) labels - 20 per sheet - 100 sheets per box
NO LONGER SUPPLIED
- 92296D LaserJet printer addressing/shipping labels - 5.08cm (2.00in) x 10.2cm (4.00in) labels - 10 per sheet - 100 sheets per box
NO LONGER SUPPLIED
- 92296E LaserJet printer shipping labels - 8.47cm (3.33in) x 10.2cm (4.00in) labels - Six per sheet - 100 sheets per box
NO LONGER SUPPLIED



Labels and Transparencies

Labels

92296F	LaserJet printer return address labels - 1.27cm (0.50in) x 4.45cm (1.75in) labels - 80 per sheet - 25 sheets per box NO LONGER SUPPLIED
92296G	LaserJet printer file folder labels - 1.69cm (0.67in) x 8.73cm (3.44in) labels - 30 per sheet - 25 sheets per box NO LONGER SUPPLIED
92296H	LaserJet printer labels for 3.5-inch diskettes - 7.00cm (2.75in) x 7.00cm (2.75in) labels - Nine per sheet - 70 sheets per box NO LONGER SUPPLIED
92296J	LaserJet printer labels for 5.25-inch diskettes - 3.81cm (1.50in) x 10.2cm (4.00in) labels - 12 per sheet - 70 sheets per box NO LONGER SUPPLIED
92296K	LaserJet printer full sheet label - A size (8.5 x 11-inches) label - One per sheet - 100 sheets per box NO LONGER SUPPLIED

Logic/Control Electronics

Cable

66	RG5-1804-000CN	Cable - From sensor located in multipurpose pickup assy area to small connector board attached to DC controller/PS board
67	RH2-5259-000CN	Cable - From DC controller/power supply board to small connector board NO LONGER SUPPLIED

Connector

1252-5460	DC controller connector - Interconnect between formatter PCA and DC controller PCA - NOT included on controller PCA
-----------	---

Laser/Scanner

69	C3150-69005	Laser/scanner assembly REQUIRES RETURN OF DEFECTIVE PART
	RG5-1780-000CN	<i>New Part for C3150-69005</i>

PC Board

70	C3150-69001	DC controller/power supply board - With power switch and switch actuator rod - 120V NO LONGER SUPPLIED
71	C3150-69002	DC controller/power supply board - For 220 to 240V operation NO LONGER SUPPLIED
72	C3151-60001	Formatter (Main logic) board

Power Cord

8120-8381	Power cord (Flint Gray) - 18 AWG, 1.8m (72 in.) long - Has 90 degree (F) receptacle (For 120V in the USA, Canada, Latin America, Korea, Taiwan, and Thailand)
-----------	---

Sensor

74	WG8-5210-000CN	Photo sensor
----	----------------	--------------

Optional Interfaces

Interface (Module)

J4101-61011	External JetDirect 500X print server module (10Base-T and 100Base-T) - Connects between printer parallel port and LAN network - Does NOT include power module - (J4101A, J4101B)
-------------	--

Interface (Product)

J2590A	External JetDirect LAN interface module with RJ-45 connector for EtherTwist (10Base-T) or 100VG/802.12 input and 3 parallel (DB-25) output connectors NO LONGER SUPPLIED
J2591A	External JetDirect LAN interface module and power module - Has EtherTwist (10Base-T) and ThinLAN (10Base-2) connectors NO LONGER SUPPLIED
J3258B	External JetDirect 170X LAN interface module - Interfaces a parallel printer to an ethernet 10Base-T (RJ-45) LAN
J3264A	External JetDirect 500X token ring interface module - Interfaces up to 3 parallel printers to a token ring (DB-9 or RJ-45) LAN



Optional Interfaces

Interface (Product)

J3265A External JetDirect 500X LAN interface module - Interfaces up to 3 parallel printers to an ethernet 10Base-T (RJ-45), 10Base2 (BNC), or 100Base-TX (RJ-45) LAN

Module

- J2382-69003 External JetDirect LAN interface module with ethertwist (10Base-T) and ThinLAN (10BASE-2) connectors
- J2383-61005 External token ring interface module - Has DB-9 connector
- J2590-69001 External JetDirect LAN interface module with RJ-45 connector for ethertwist (10Base-T) or 100VG/802.12 input and 3 parallel (DB-25) output connectors
REQUIRES RETURN OF DEFECTIVE PART
- J2590-61011 *New Part for J2590-69001*
- J2591-69001 External JetDirect LAN interface module with ethertwist (10Base-T) and ThinLAN (10BASE-2) connectors
- J2592-69001 External JetDirect LAN interface module with ethertwist (10Base-T) connector
REQUIRES RETURN OF DEFECTIVE PART
- J2592-61001 *New Part for J2592-69001*
- J2593-69001 External JetDirect LAN interface module with Ethertwist (10Base-T) and ThinLAN (10BASE-2) input connectors and 3 parallel (DB-25) output connectors - (part of J2593A)
- J2594-69001 External JetDirect token ring interface module with DB-9 and RJ-45 input connectors and 3 parallel (DB-25) output connectors - (part of J2594A)
REQUIRES RETURN OF DEFECTIVE PART
- J2594-61011 *New Part for J2594-69001*
- J3258-61011 External JetDirect LAN interface module with EtherTwist (10Base-T) connector - (J3258A, J3258B)
- J4102-69011 External JetDirect LAN interface module with EtherTwist (10Base-T) connector - (J4102A, J4102B)
REQUIRES RETURN OF DEFECTIVE PART
- J4102-61011 *New Part for J4102-69011*

Module (Product)

- J4101B External JetDirect LAN interface module with EtherTwist (10Base-T/Base-TX) connector
- J4102B External JetDirect LAN interface module with EtherTwist (10Base-T) connector

Power Cord

- 8120-1351 Power cord (Mint Gray) - 17 AWG, 2.3m (7.5ft) long - Has straight (F) receptacle (For 240V in the UK, Hong Kong, Singapore, Malaysia, and Brunei)
- 8120-1369 Power cord (Mint Gray) - 17 AWG, 2.0m (6.6ft) long - Has straight (F) receptacle (For 240V in Australia, New Zealand, and China)
- 8120-1378 Power cord (Jade Gray) - 18 AWG, 2.3m (7.5ft) long - Has straight (F) receptacle (For 120V in USA, Canada, Latin America, Korea, Taiwan, Thailand, Spain, Brazil, and Vietnam) - NOTE: This is NOT the printer power cord - LaserJet 5P requires the 90 degree
- 8120-1689 Power cord (Mint Gray) - 17 AWG, 2.0m (6.6ft) long - Has straight (F) receptacle (For 220V in Europe, Bangladesh, Indonesia, Pakistan, Burma, Sri Lanka, and Vietnam)
- 8120-2104 Power cord (Mint Gray) - 2.0m (6.6ft) long - Has straight (F) receptacle (For 220V in Switzerland)
- 8120-2956 Power cord (Mint Gray) - 2.0m (6.6ft) long - Has straight (F) receptacle (For 220V in Denmark)
- 8120-4753 Power cord (Mint Gray) - 18 AWG, 2.3m (7.5ft) long - Has straight (F) receptacle (For 100V in Japan)
- 8120-6302 'Daisy chain' power cord (Dove Gray) - 18 AWG, 1.2m (4.0ft) long - Has C14 (M) plug for power input and C13 (F) plug for power output

Power Module

- 0950-2372 Power supply module - 100-240VAC input, 47-63Hz, requires separate AC power cord - 5VDC output, 1A, 5 watts - For J2382/83A/B
- 0950-3169 Wall mount power supply module - 110-127V AC 57-63Hz input - 13V DC output at 300mA (USA, Canada) - For use with the J2592A external JetDirect LAN interface module
- 0950-3170 Power supply module - 209-253VAC input, 47-53Hz - 13VDC output, 300mA (Europe, Israel) - For use with the J2592A external JetDirect LAN interface module
- 0950-3171 Power supply module - 220-240VAC input, 47-53Hz - 13VDC output, 300mA (U.K., Hong Kong) - For use with the J2592A external JetDirect LAN interface module

Optional Interfaces

Power Module

0950-3172	Power supply module - 240VAC input, 47-53Hz - 13VDC output, 300mA (Australia) - For use with the J2592A external JetDirect LAN interface module
0950-3348	Wall mount power supply module (MEI-AH ED12006) - 110-127VAC input, 57-63Hz - 13VDC output, 800mA, 10.4 watts (for use in the United States and Canada) - For models J2590/91/93/94A, J2964A, J3258A/B, J3263/64/65A, J3282B, J4101A/B, J4102A/B
0950-3349	Wall mount power supply module (MEI-AH ED12007) - 230VAC input, 47-53Hz - 13VDC output, 800mA, 10.4 watts (for use in Europe and Israel) - For JetDirect/infrared interface models J2590/91/93/94A, J2964A, J3258A/B, J3263/64/65A, J3282B, J4101A/B, J4102A/B
0950-3350	Wall mount power supply module (MEI-AH ED12008) - 220-240VAC input, 47-53Hz - 13VDC output, 800mA, 10.4 watts (for use in the United Kingdom) - For JetDirect/infrared interfaces J2590/91/93/94A, J2964A, J3258A/B, J3263/64/65A, J3282B, J4101A/B, J4102A/B
0950-3351	Wall mount power supply module (MEI-AH ED12009) - 220VAC input, 47-63Hz - 13VDC output, 800mA, 10.4 watts (for use in South Korea) - For JetDirect/infrared interface models J2590/91/93/94A, J2964A, J3258A/B, J3263/64/65A, J3282B, J4101A/B, J4102A/B
0950-3352	Wall mount power supply module (MEI-AH ED12010) - 100VAC input, 47-63Hz - 13VDC output, 800mA, 10.4 watts (for use in Japan) - For JetDirect/infrared interface models J2590/91/93/94A, J2964A, J3258A/B, J3263/64/65A, J3282B, J4101A/B, J4102A/B
0950-3354	Wall mount power supply module (MEI-AH ED12010) - 220-250VAC input, 47-53Hz - 13VDC output, 800mA, 10.4 watts (for use in South Africa) - For JetDirect/infrared interface models J2590/91/93/94A, J2964A, J3258A/B, J3263/64/65A, J3282B, J4101A/B, J4102A/B
9100-5176	Wall mount power supply module (Leader Electronics 48130625HK) - 200VAC input, 48-52Hz - 13VDC output, 625mA (Hong Kong) - For JetDirect Modules and Infrared Interface Models J2590/91/93/94A, J2964A, J3258A/B, J3263/64/65A, J3282B, J4101A/B, J4102A/B
0950-3350	<i>New Part for 9100-5176</i>

Other Accessories

Brush

112 RF5-0593-000CN	Cleaning brush - For cleaning the reflecting mirror - Mounts under the top door assembly
--------------------	--

Cartridge

5184-5204	Black toner (EP) cartridge - With 'Micro-Fine' toner
C3903A	Black microfine toner (EP) cartridge
C3903F	Black microfine toner (EP) cartridge - For Asia Pacific only

Manual

5851-1468	LaserJet printer family paper specification guide
C3980-91078	LaserJet 4L/4ML/4P/4MP/5P/5MP/6P/6MP combined service manual (English)
5021-8943	LaserJet quick reference guide - Volume 1 of 2 volume set
5090-3390	LaserJet quick reference guide - Volume 2 of 2 volume set

Manual Kit

5021-0377	HP-GL/2, PCL5 and PCL6 technical reference manual kit
C3150-99025	LaserJet 5P/5MP manual kit - Includes user's manual and quick reference guide (English) NO LONGER SUPPLIED
C3150-99026	LaserJet 5P/5MP manual kit - Includes user's manual and quick reference guide (German) NO LONGER SUPPLIED
C3150-99027	LaserJet 5P/5MP manual kit - Includes user's manual and quick reference guide (Spanish) NO LONGER SUPPLIED
C3150-99028	LaserJet 5P/5MP manual kit - Includes user's manual and quick reference guide (Norwegian) NO LONGER SUPPLIED
C3150-99029	LaserJet 5P/5MP manual kit - Includes user's manual and quick reference guide (Dutch) NO LONGER SUPPLIED
C3150-99030	LaserJet 5P/5MP manual kit - Includes user's manual and quick reference guide (French) NO LONGER SUPPLIED



Other Accessories

Manual Kit

C3150-99031	LaserJet 5P/5MP manual kit - Includes user's manual and quick reference guide (Swedish) NO LONGER SUPPLIED
C3150-99032	LaserJet 5P/5MP manual kit - Includes user's manual and quick reference guide (Portuguese) NO LONGER SUPPLIED
C3150-99033	LaserJet 5P/5MP manual kit - Includes user's manual and quick reference guide (Turkish) NO LONGER SUPPLIED
C3150-99034	LaserJet 5P/5MP manual kit - Includes user's manual and quick reference guide (Italian) NO LONGER SUPPLIED
C3150-99035	LaserJet 5P/5MP manual kit - Includes user's manual and quick reference guide (Danish) NO LONGER SUPPLIED
C3150-99036	LaserJet 5P/5MP manual kit - Includes user's manual and quick reference guide (Finnish) NO LONGER SUPPLIED
C3150-99037	LaserJet 5P/5MP manual kit - Includes user's manual and quick reference guide (Polish) NO LONGER SUPPLIED
C3150-99038	LaserJet 5P/5MP manual kit - Includes user's manual and quick reference guide (Czechoslovakian) NO LONGER SUPPLIED
C3150-99039	LaserJet 5P/5MP manual kit - Includes user's manual and quick reference guide (Hungarian) NO LONGER SUPPLIED
C3150-99040	LaserJet 5P/5MP manual kit - Includes user's manual and quick reference guide (Russian) NO LONGER SUPPLIED

Software

C6072-60301	HP-GL/2 driver software for AutoCAD - For DOS and Windows 3.1/95/NT 4.0 - On 3.5-inch 1.44MB floppy disks (English)
C6072-60304	HP-GL/2 driver software for AutoCAD - For DOS and Windows 3.1/95/NT 4.0 - On 3.5-inch 1.44MB floppy disks (German)
C6072-60305	HP-GL/2 driver software for AutoCAD - For DOS and Windows 3.1/95/NT 4.0 - On 3.5-inch 1.44MB floppy disks (French)
C6072-60306	HP-GL/2 driver software for AutoCAD - For DOS and Windows 3.1/95/NT 4.0 - On 3.5-inch 1.44MB floppy disks (Spanish)
C6072-60307	HP-GL/2 driver software for AutoCAD - For DOS and Windows 3.1/95/NT 4.0 - On 3.5-inch 1.44MB floppy disks (Italian)

Tool

5062-4661	Infrared interface tool - Tests operation of infrared interface of printer/host
-----------	---

Training Kit

C3980-67904	Self paced training kit for LaserJet 4L, 4ML, 4P, 4MP, 5P, 5MP, 6P, and 6MP - Includes service manual, NTSC format videos (VHS), and five tests - Does NOT include 'LaserJet Basics' course
C3980-67905	Self paced training kit for LaserJet 4L, 4ML, 4P, 4MP, 5P, 5MP, 6P, and 6MP - Includes service manual, PAL format videos (VHS), and five tests - Does NOT include 'LaserJet Basics' course

Training Test

C3980-91080	Hardware training course - Student self-paced guide and test for LaserJet 4L, 4ML, 4P, 4MP, 5P, 5MP, and 6P - Used with video tape hardware training course - 20 page booklet
-------------	---

Other Internal Parts

Cable

146	RG5-0766-030CN	Scanner connector assembly - Scanner to DC controller board NO LONGER SUPPLIED
-----	----------------	---

Case

147	RG5-1712-000CN	DC controller/power supply board case assembly - Includes plastic spring that holds cassette tray in printer & small connector board for cable from DC con/ps board NO LONGER SUPPLIED
-----	----------------	---



Other Internal Parts

Connector

148 RG5-1719-000CN High voltage DC controller/power supply connector assembly

Fan

149 RG5-1801-000CN Fan
NO LONGER SUPPLIED

Latch

150 RB1-3002-040CN Top door latch bar (Spring loaded)

Mirror

151 RG5-1786-000CN Mirror assembly - Top, center of print structure

PC Board

152 RG5-1808-000CN Small connector board

Shield

153 C3150-00005 Formatter (Main logic) board shield
NO LONGER SUPPLIED

154 RB1-2987-020CN High voltage shield - Has cutout for modified paper sensor arm
NO LONGER SUPPLIED

Spring

155 RS5-2232-000CN Compression spring - For top cover latch bar
NO LONGER SUPPLIED

Paper Path Parts

Arm

156 RB1-6006-000CN Paper input sensor arm

Gear Assembly

157 RG5-1713-000CN Gear drive train plate assembly - 16 gears mounted on side plate
NO LONGER SUPPLIED

Guide

158 RG5-1691-000CN Feeder guide assembly - Ribbed plastic plate with sensor lever

159 RG5-1694-000CN Paper guide plate - For multipurpose paper tray
NO LONGER SUPPLIED

160 RG5-1698-020CN Upper feeder guide/roller assembly

161 RG5-1706-000CN Transfer guide assembly - Plate in front of transfer roller

Motor

162 RG5-1799-000CN Main motor assembly
NO LONGER SUPPLIED

Mount

163 RG5-0674-000CN Left mounting block - For transfer guide assembly

164 RG5-0675-000CN Right mounting block - For transfer guide assembly

Pad

165 RF5-0343-000CN Separation pad (Rectangular) - For multipurpose tray input

Pickup Assembly

166 RG5-1692-000CN Paper pickup assy - Includes D-shaped pickup roller and solenoid

167 RG9-1082-000CN Paper pickup roller assembly - Includes pickup roller
NO LONGER SUPPLIED

168 RG9-1083-000CN Paper pickup assembly - Includes pickup roller assembly, guide plate, solenoid, photo sensor (PS5) photo sensor cable, and separation pad

www.drukparts.pl



Paper Path Parts

Repair Kit

5062-4662 Repair kit - For repairing broken paper cassette side support guides - Includes two bottom guides (for the paper cassette), left side support, and instructions

Roller

- 170 RB1-2205-000CN Pickup roller (Oval shaped) - For multipurpose tray
- 171 RB1-6332-000CN Pickup roller (D-shaped) - In universal cassette pickup assembly
- 172 RF5-1290-000CN Transfer charge roller - Behind transfer guide assembly
- 173 RG5-0682-030CN Lower roller assembly (L-shaped) - For top cover output
- 174 RG5-0683-020CN Upper roller - Shaft with 4 rollers - For top cover output
- 175 RG5-1814-000CN Small media roller assembly - Mounts on the bottom of the plate in the feeder guide assembly

Solenoid

176 RH7-1258-000CN Solenoid - Engages pickup assembly for multipurpose paper tray (Tray 1)
NO LONGER SUPPLIED

Spring

177 RS5-2458-000CN Compression spring - Front, left

Static Dissipater

178 RF5-0584-000CN Static dissipator for lower feeder guide

Stop

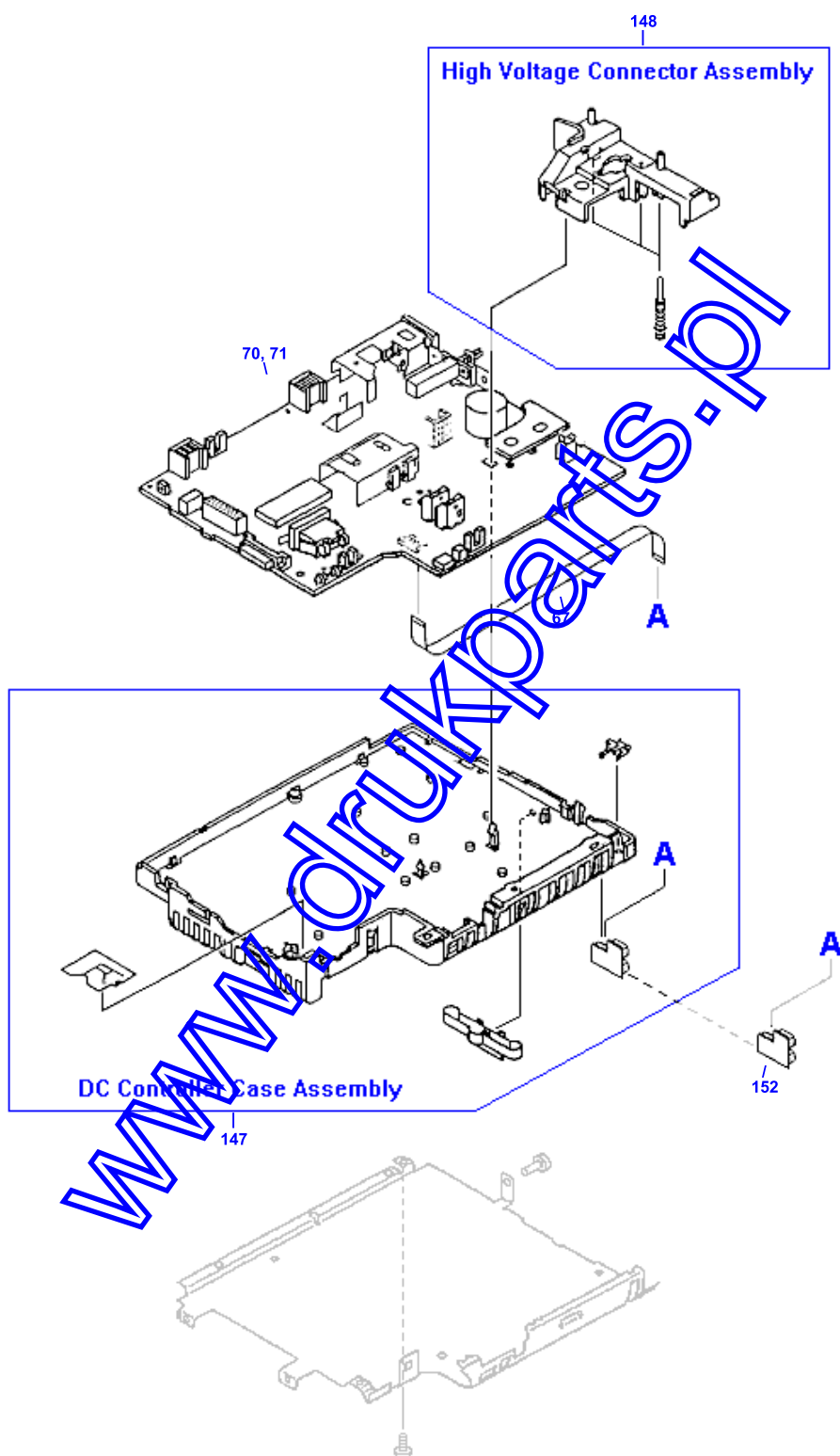
179 RB1-6382-000CN Stop plate (Green) - For paper length - In universal cassette

Tray

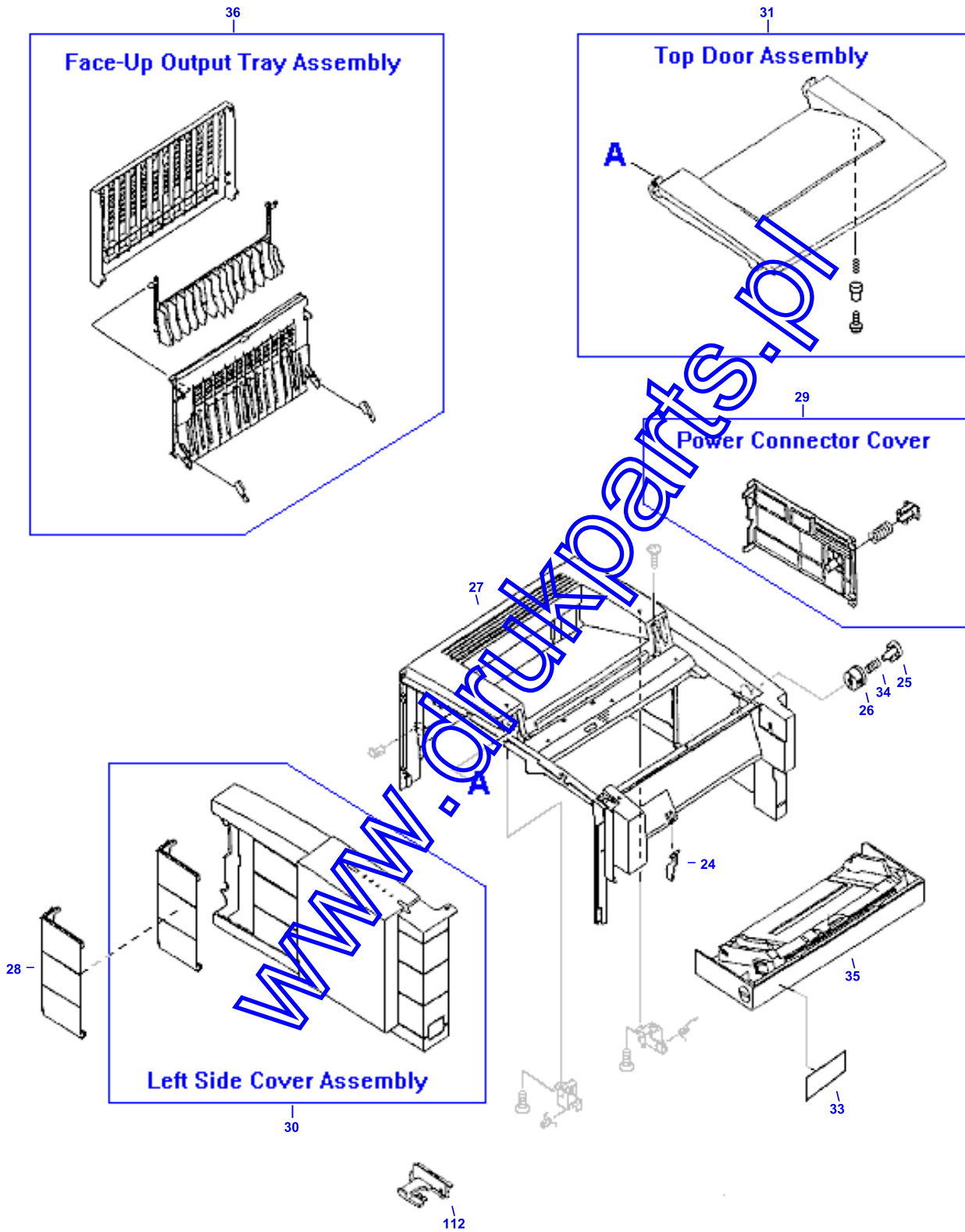
- 180 R75-4000-000CN Universal cassette tray (Tray 2) - Adjusts for letter, legal, Executive, and A4 paper
NO LONGER SUPPLIED
- 181 RB1-6378-000CN Legal tray extension - Rear of universal cassette - Green paper stop inserts into this part
- 182 RF5-1366-000CN Adjustable side guide (limit panel) - For universal cassette tray

www.druckparts.pl

DC Controller/Power Supply Assembly

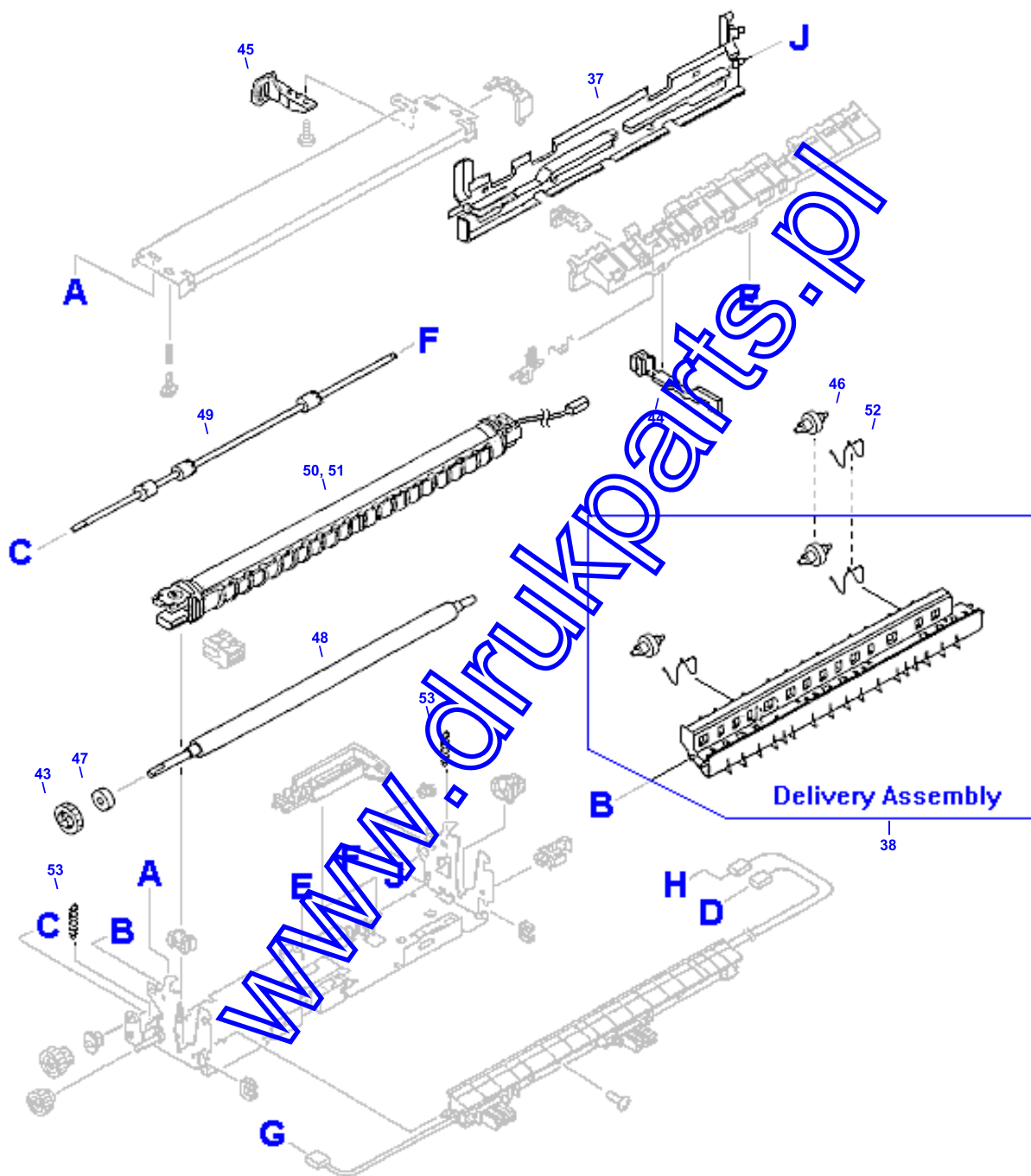


External Covers and Doors



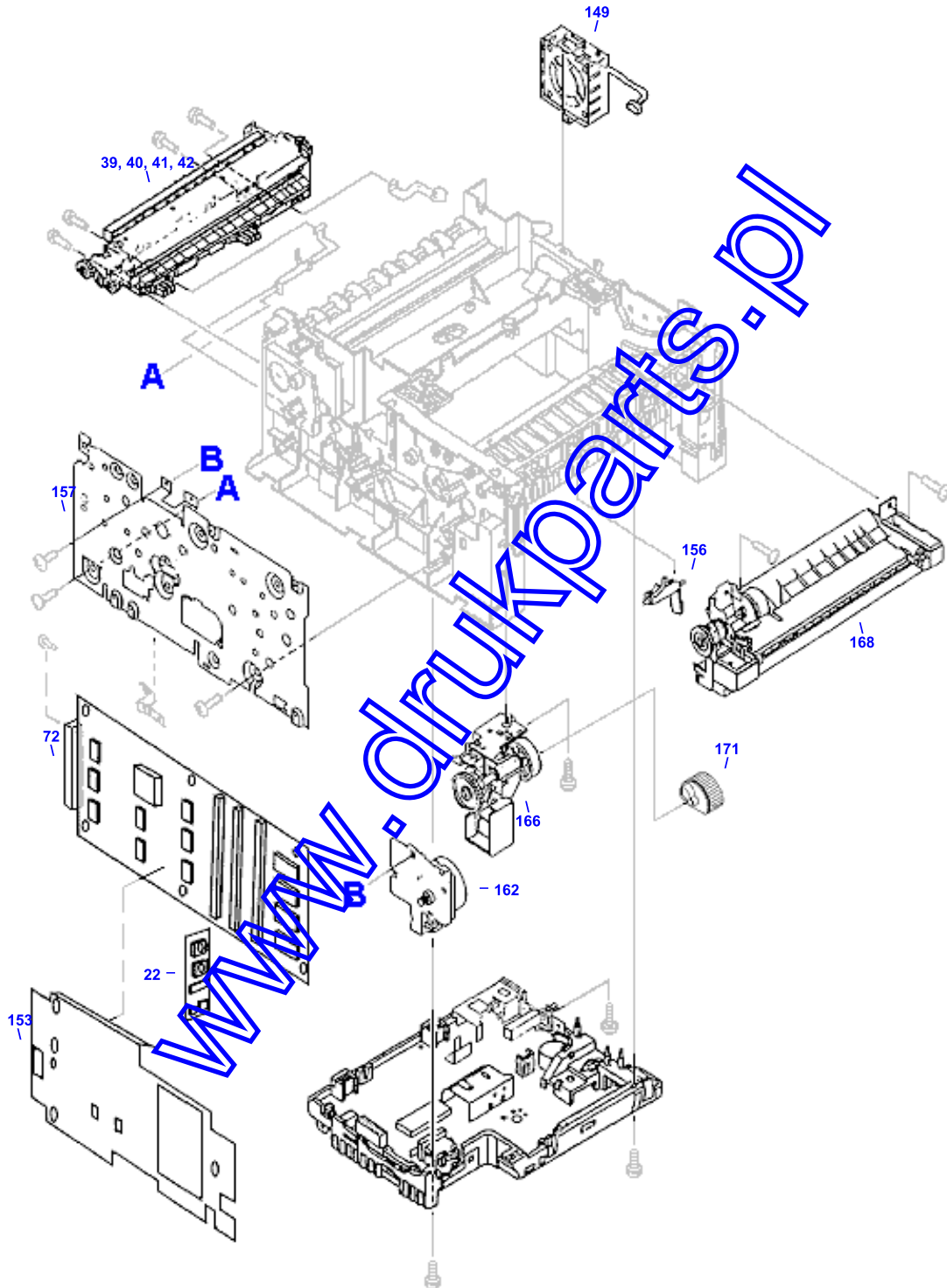
Fusing Assembly

 Fusing Assembly - 39, 40, 41, 42



Internal Assemblies (1 of 3)

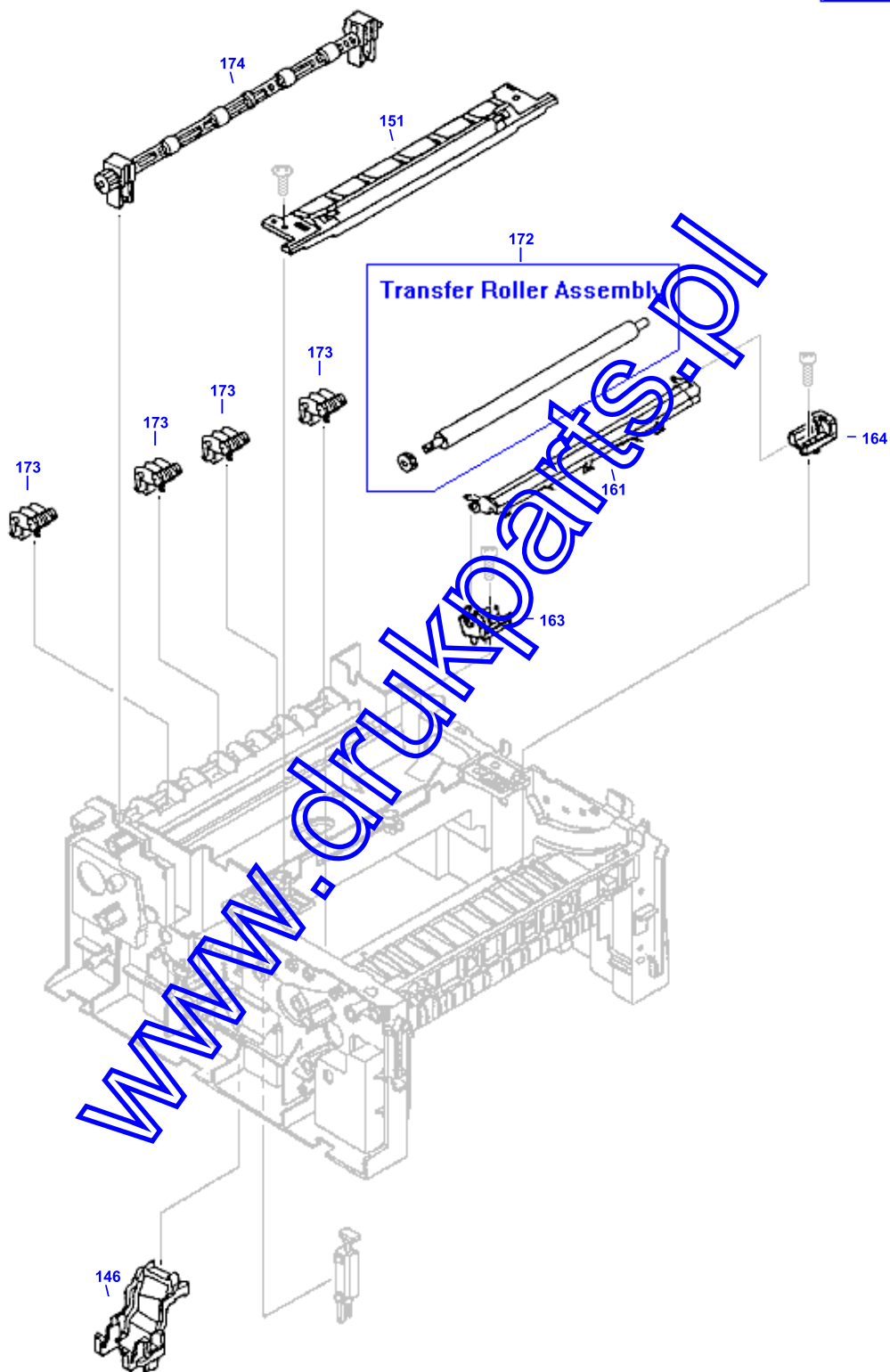
2 of 3 →



Internal Assemblies (2 of 3)

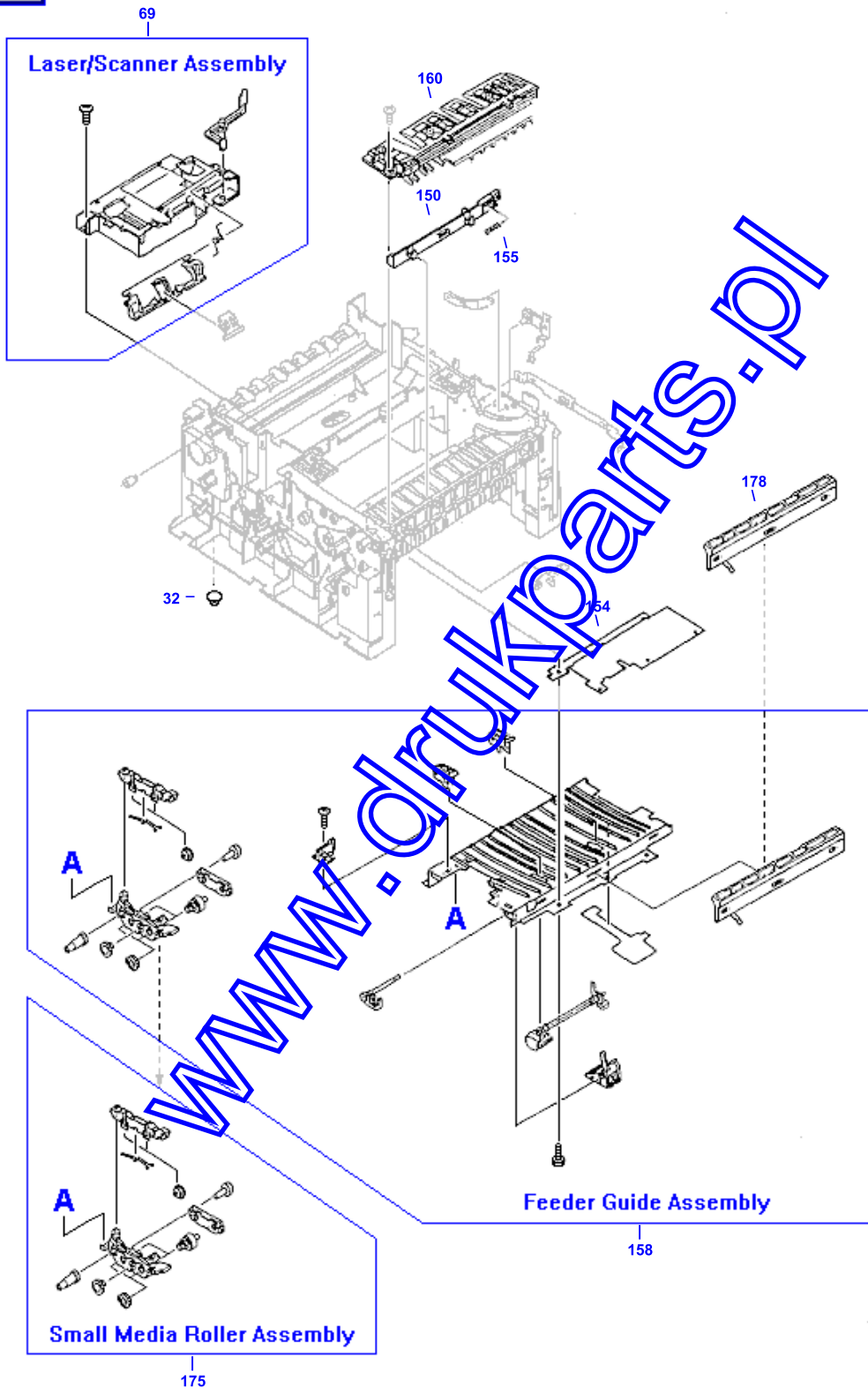
< 1 of 3

3 of 3 >



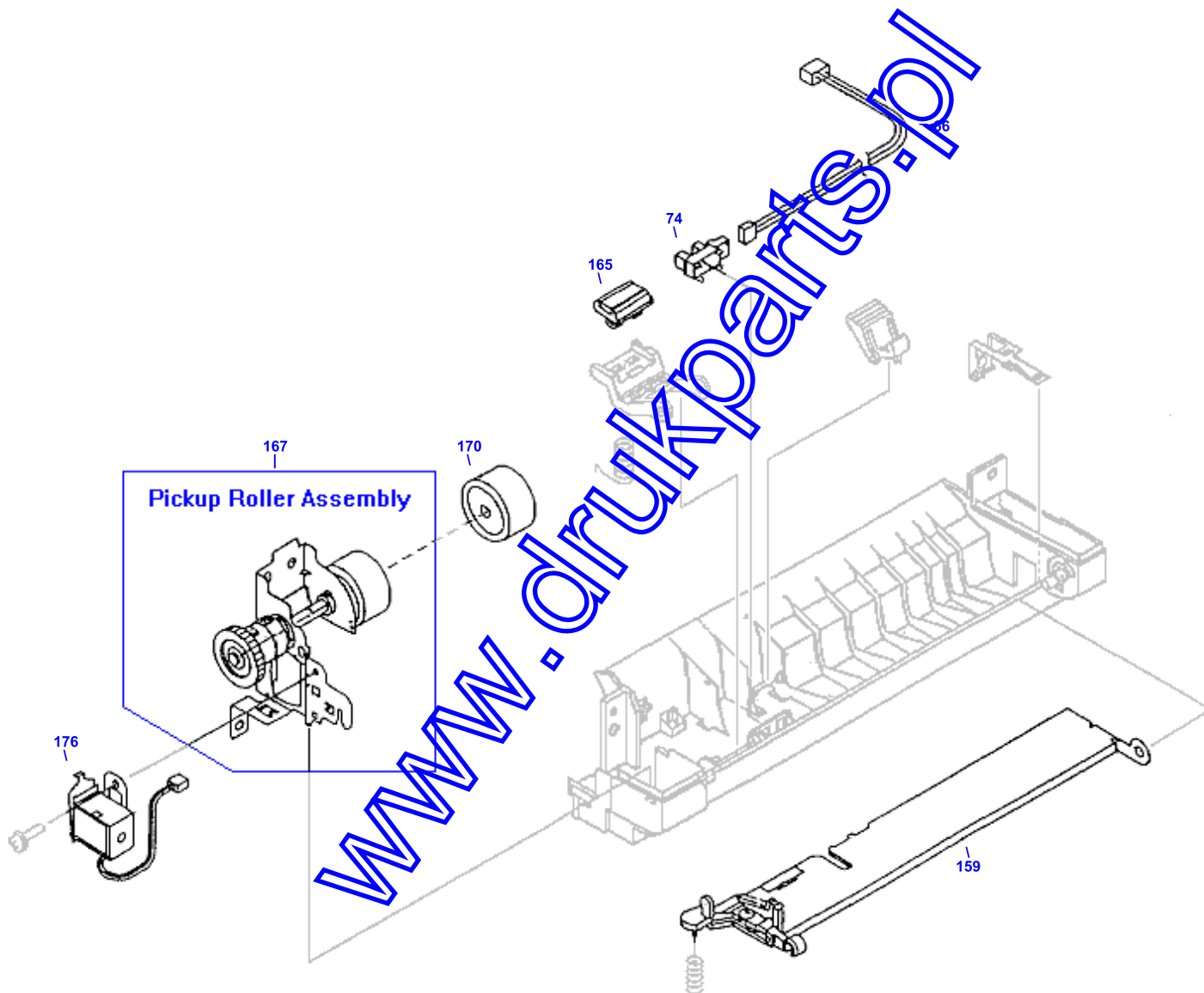
Internal Assemblies (3 of 3)

← 2 of 3



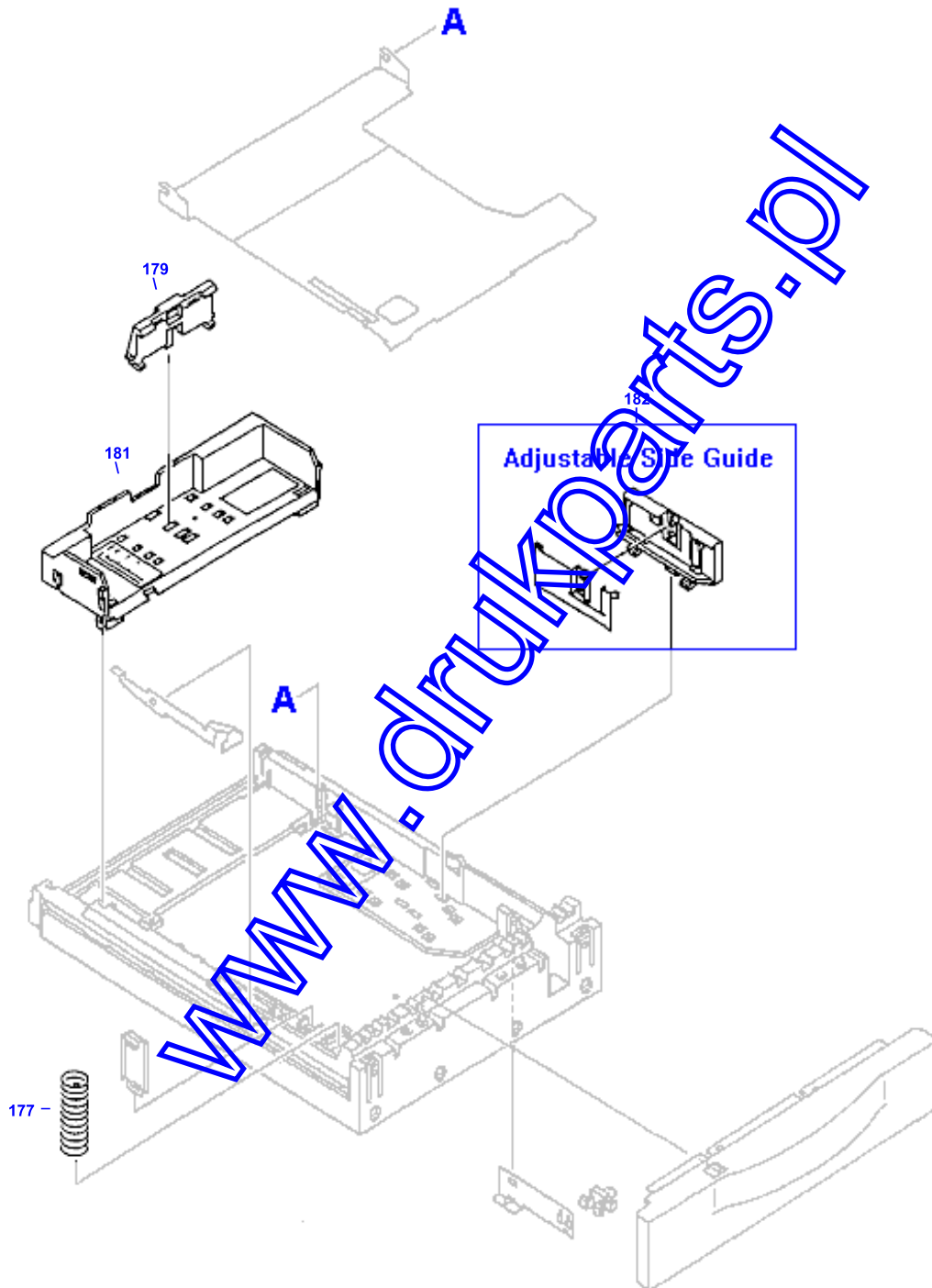
Multipurpose Tray Pickup Assembly

 Multipurpose Tray Pickup Assembly - 168



Universal Cassette Tray Assembly

■ Universal Cassette Tray Assembly - 180





HP Parts Reference Guide

<http://www.hp.com/go/parts>

HP PartSurfer

<http://partsurfer.hp.com>

HP Parts Ordering Information

<http://www.hp.com/go/hpparts>

HP Parts Questions/Comments

<http://partsurfer.hp.com/contactus.htm>

www.drukparts.pl