



Accessories

Cleaning Supplies

5090-3379 Toner cleaning cloth - Specially treated cloth for absorbing toner (1 per package) - Ideal for cleaning up toner spills

Kit

H3971-60002 Maintenance Kit - 220V - Most common wear parts - Includes, transfer roller, pickup roller, separation pad, idler roller assembly, and fusing assembly - Procedure requires service manual

Electronic Accessories

Cable (Interface)

5063-1256 IEEE-1284 Bi-Tronics parallel cable - DB-25 (M) connector (type A) to 36 pin Centronics (M) connector (type B) - 2.0m (6.6ft) long

5063-1257 IEEE-1284 Bi-Tronics parallel cable - DB-25 (M) connector (type A) to 36 pin Centronics (M) connector (type B) - 3.0m (9.8ft) long

C2950A IEEE-1284 Bi-Tronics parallel cable - DB-25 (M) connector (type A) to 36 pin Centronics (M) connector (type B) - 2.0m (6.6ft) long

5063-1256 *New Part for C2950A*

C2951A IEEE-1284 Bi-Tronics parallel cable - DB-25 (M) connector (type A) to 36 pin Centronics (M) connector (type B) - 3.0m (9.8ft) long

C2990A IEEE-1284 Bi-Tronics parallel cable - DB-25 (M) (type A) to 36 pin (M) Centronics (type B) - 1.8m (6ft) long
NO LONGER SUPPLIED

C2991A IEEE-1284 Bi-Tronics parallel cable - DB-25 (M) (type A) to 36 pin (M) Centronics (type B) - 3.0m (10ft) long
NO LONGER SUPPLIED

Fax

C2971A HP PrinterPal accessory - Adds (External) fax capabilities to the LaserJet printer
NO LONGER SUPPLIED

Memory (Product)

C3148A 4MB DRAM JEIDA memory module - For HP LaserJet 4LC, 5L, 6L

C3938A 2MB DRAM memory module - For HP LaserJet 4LC, 5L
NO LONGER SUPPLIED

C3939A 2MB DRAM JEIDA memory module - For HP LaserJet 4LC, 5L
NO LONGER SUPPLIED

Memory Module

C3148-67901 4MB DRAM JEIDA memory module - For LaserJets - (C3148A)

C3938-67901 2MB DRAM JEIDA memory module - For LaserJets - (C3938A)

C3939-67901 1MB DRAM JEIDA memory module - For LaserJets

External Case Parts

Cover

16 RB1-7321-000CN Memory expansion cover (Door)

17 RB1-7333-000CN Back cover - Has cut-outs for interface and power connectors

18 RG5-1995-000CN Main top cover - Does NOT include the paper input assemblies

Door

19 RF5-1501-030CN Main front door that is attached to the multipurpose input tray

Extender

20 RB1-7211-000CN Large paper input extender - Does NOT include smaller extender
NO LONGER SUPPLIED

21 RB1-7212-000CN Small paper input extender

22 RB1-7326-000CN Large paper output extender - Does NOT include smaller extender
NO LONGER SUPPLIED

23 RB1-7331-000CN Small paper output extender



External Case Parts

Faceplate

24 RB1-7305-000CN I/O faceplate - For parallel connector

Input Assembly

25 RG5-1944-050CN Paper input assembly - Rear half of input paper feed slot

26 RG5-1945-040CN Paper input assembly - Front half of paper input feed slot - Input assembly 2

Nameplate/Logo

27 RB1-7335-000CN Nameplate - LaserJet 5L

Switch

28 RB1-7278-000CN Face-up/face-down selection switch

Internal Components

Spring

RS5-2508-000CN Compression spring - Provides tension for pressure plate

Labels and Transparencies

Film (Transparency)

92296U LaserJet printer transparency film - A4 size (21.0cm x 29.7cm) - 50 sheets per box

92296T LaserJet printer transparency film - A size (8.5 x 11-inches) - 50 sheets per box

Labels

92296A LaserJet printer addressing labels - 2.54cm (1.00in) x 6.67cm (2.63in) labels - 30 per sheet - 100 sheets per box
NO LONGER SUPPLIED

92296B LaserJet printer addressing labels - 3.38cm (1.33in) x 10.2cm (4.00in) labels - 14 per sheet - 100 sheets per box
NO LONGER SUPPLIED

92296C LaserJet printer addressing labels - 2.54cm (1.00in) x 10.2cm (4.00in) labels - 20 per sheet - 100 sheets per box
NO LONGER SUPPLIED

92296D LaserJet printer addressing/shipping labels - 5.08cm (2.00in) x 10.2cm (4.00in) labels - 10 per sheet - 100 sheets per box
NO LONGER SUPPLIED

92296E LaserJet printer shipping labels - 8.47cm (3.33in) x 10.2cm (4.00in) labels - Six per sheet - 100 sheets per box
NO LONGER SUPPLIED

92296F LaserJet printer return address labels - 4.27cm (0.50in) x 4.45cm (1.75in) labels - 80 per sheet - 25 sheets per box
NO LONGER SUPPLIED

92296G LaserJet printer file folder labels - 1.69cm (0.67in) x 8.73cm (3.44in) labels - 30 per sheet - 25 sheets per box
NO LONGER SUPPLIED

92296H LaserJet printer labels for 3.5-inch diskettes - 7.00cm (2.75in) x 7.00cm (2.75in) labels - Nine per sheet - 70 sheets per box
NO LONGER SUPPLIED

92296J LaserJet printer labels for 5.25-inch diskettes - 3.81cm (1.50in) x 10.2cm (4.00in) labels - 12 per sheet - 70 sheets per box
NO LONGER SUPPLIED

92296K LaserJet printer full sheet label - A size (8.5 x 11-inches) label - One per sheet - 100 sheets per box
NO LONGER SUPPLIED

Logic/Control Electronics

Cable

42 RG5-2029-000CN Cable - From connector J202 on DC controller board to paper registration and paper-out photosensors (PS203 and PS202)

43 RG5-2031-000CN Cable - From connector J209 on DC controller board to door closed/toner cartridge installed sensor (PS204)
NO LONGER SUPPLIED

44 RG5-2032-000CN Cable - From connector J206 on DC controller board to fusing assembly

45 RG5-2033-000CN Motor cable - From connector J401 on DC controller board to main motor

46 RG5-2034-000CN Scanner cable - From connector J207 on DC controller board to scanner motor

Logic/Control Electronics

Cable

- 47 RG5-2035-000CN Laser cable - From connector J208 on DC controller board to laser unit (Laser driver/beam detect circuitry)
- 48 RG5-2036-000CN Cable - From control panel to formatter board
- 49 RG5-2037-000CN Door switch cable - From connector J305 on DC controller board to switch 101

Control Panel

- 50 RG5-2028-000CN Control panel - Small board on left side of printer

PC Board

- 51 C3942-69002 Formatter board - Has Bi-Tronics interface connector on board
NO LONGER SUPPLIED

Optional Interfaces

Interface (Module)

- J4101-61011 External JetDirect 300X print server module (10Base-T and 100Base-T) - Connects between printer parallel port and LAN network - Does NOT include power module - (J4101A, J4101B)

Interface (Product)

- J2590A External JetDirect LAN interface module with RJ-45 connector for EtherTwist (10Base-T) or 100VG/802.12 input and 3 parallel (DB-25) output connectors
NO LONGER SUPPLIED
- J2591A External JetDirect LAN interface module and power module - Has EtherTwist (10Base-T) and ThinLAN (10Base-2) connectors
NO LONGER SUPPLIED
- J3258B External JetDirect 170X LAN interface module - Interfaces a parallel printer to an ethernet 10Base-T (RJ-45) LAN
- J3264A External JetDirect 500X token ring interface module - Interfaces up to 3 parallel printers to a token ring (DB-9 or RJ-45) LAN
- J3265A External JetDirect 500X LAN interface module - Interfaces up to 3 parallel printers to an ethernet 10Base-T (RJ-45), 10Base2 (BNC), or 100Base-TX (RJ-45) LAN

Module

- J2382-69003 External JetDirect LAN interface module with ethertwist (10Base-T) and ThinLAN (10BASE-2) connectors
- J2383-61005 External token ring interface module - Has DB-9 connector
- J2590-69001 External JetDirect LAN interface module with RJ-45 connector for ethertwist (10Base-T) or 100VG/802.12 input and 3 parallel (DB-25) output connectors
REQUIRES RETURN OF DEFECTIVE PART
- J2590-61011 *New Part for J2590-69001*
- J2591-69001 External JetDirect LAN interface module with ethertwist (10Base-T) and ThinLAN (10BASE-2) connectors
- J2592-69001 External JetDirect LAN interface module with ethertwist (10Base-T) connector
REQUIRES RETURN OF DEFECTIVE PART
- J2592-61001 *New Part for J2592-69001*
- J2593-69001 External JetDirect LAN interface module with Ethertwist (10Base-T) and ThinLAN (10BASE-2) input connectors and 3 parallel (DB-25) output connectors - (part of J2593A)
- J2594-69001 External JetDirect token ring interface module with DB-9 and RJ-45 input connectors and 3 parallel (DB-25) output connectors - (part of J2594A)
REQUIRES RETURN OF DEFECTIVE PART
- J2594-61011 *New Part for J2594-69001*
- J3258-61011 External JetDirect LAN interface module with EtherTwist (10Base-T) connector - (J3258A, J3258B)
- J4102-69011 External JetDirect LAN interface module with EtherTwist (10Base-T) connector - (J4102A, J4102B)
REQUIRES RETURN OF DEFECTIVE PART
- J4102-61011 *New Part for J4102-69011*

Module (Product)

- J4101B External JetDirect LAN interface module with EtherTwist (10Base-T/Base-TX) connector
- J4102B External JetDirect LAN interface module with EtherTwist (10Base-T) connector



Optional Interfaces

Power Cord

8120-1351	Power cord (Mint Gray) - 17 AWG, 2.3m (7.5ft) long - Has straight (F) receptacle (For 240V in the UK, Hong Kong, Singapore, Malaysia, and Brunei)
8120-1369	Power cord (Mint Gray) - 17 AWG, 2.0m (6.6ft) long - Has straight (F) receptacle (For 240V in Australia, New Zealand, and China)
8120-1378	Power cord (Jade Gray) - 18 AWG, 2.3m (7.5ft) long - Has straight (F) receptacle (For 120V in USA, Canada, Latin America, Korea, Taiwan, Thailand, Spain, Brazil, and Vietnam)
8120-1689	Power cord (Mint Gray) - 17 AWG, 2.0m (6.6ft) long - Has straight (F) receptacle (For 220V in Europe, Bangladesh, Indonesia, Pakistan, Burma, Sri Lanka, and Vietnam)
8120-2104	Power cord (Mint Gray) - 2.0m (6.6ft) long - Has straight (F) receptacle (For 220V in Switzerland)
8120-2956	Power cord (Mint Gray) - 2.0m (6.6ft) long - Has straight (F) receptacle (For 220V in Denmark)
8120-4753	Power cord (Flint Gray) - 18 AWG, 2.3m (7.5ft) long - Has straight (F) receptacle (For 100V in Japan)
8120-6302	'Daisy chain' power cord (Dove Gray) - 18 AWG, 1.2m (4.0ft) long - Has C14 (M) plug for power input and C13 (F) plug for power output

Power Module

0950-2372	Power supply module - 100-240VAC input, 47-63Hz, requires separate AC power cord - 5VDC output, 1A, 5 watts - For J2382/83A/B
0950-3169	Wall mount power supply module - 110-127V AC 57-63Hz input - 13V DC output at 300mA (USA, Canada) - For use with the J2592A external JetDirect LAN interface module
0950-3170	Power supply module - 209-253VAC input, 47-53Hz - 13VDC output, 300mA (Europe, Israel) - For use with the J2592A external JetDirect LAN interface module
0950-3171	Power supply module - 220-240VAC input, 47-53Hz - 13VDC output, 300mA (U.K., Hong Kong) - For use with the J2592A external JetDirect LAN interface module
0950-3172	Power supply module - 240VAC input, 47-53Hz - 13VDC output, 300mA (Australia) - For use with the J2592A external JetDirect LAN interface module
0950-3348	Wall mount power supply module (MEI-AH ED12006) - 110-127VAC input, 57-63Hz - 13VDC output, 800mA, 10.4 watts (for use in the United States and Canada) - For models J2590/91/93/94A, J2964A, J3258A/B, J3263/64/65A, J3282B, J4101A/B, J4102A/B
0950-3349	Wall mount power supply module (MEI-AH ED12007) - 230VAC input, 47-53Hz - 13VDC output, 800mA, 10.4 watts (for use in Europe and Israel) - For JetDirect/infrared interface models J2590/91/93/94A, J2964A, J3258A/B, J3263/64/65A, J3282B, J4101A/B, J4102A/B
0950-3350	Wall mount power supply module (MEI-AH ED12008) - 220-240VAC input, 47-53Hz - 13VDC output, 800mA, 10.4 watts (for use in the United Kingdom) - For JetDirect/infrared interfaces J2590/91/93/94A, J2964A, J3258A/B, J3263/64/65A, J3282B, J4101A/B, J4102A/B
0950-3351	Wall mount power supply module (MEI-AH ED12009) - 220VAC input, 47-63Hz - 13VDC output, 800mA, 10.4 watts (for use in South Korea) - For JetDirect/infrared interface models J2590/91/93/94A, J2964A, J3258A/B, J3263/64/65A, J3282B, J4101A/B, J4102A/B
0950-3352	Wall mount power supply module (MEI-AH ED12010) - 100VAC input, 47-63Hz - 13VDC output, 800mA, 10.4 watts (for use in Japan) - For JetDirect/infrared interface models J2590/91/93/94A, J2964A, J3258A/B, J3263/64/65A, J3282B, J4101A/B, J4102A/B
0950-3354	Wall mount power supply module (MEI-AH ED12010) - 220-250VAC input, 47-53Hz - 13VDC output, 800mA, 10.4 watts (for use in South Africa) - For JetDirect/infrared interface models J2590/91/93/94A, J2964A, J3258A/B, J3263/64/65A, J3282B, J4101A/B, J4102A/B
9100-5176	Wall mount power supply module (Leader Electronics 48130625HK) - 200VAC input, 48-52Hz - 13VDC output, 625mA (Hong Kong) - For JetDirect Modules and Infrared Interface Models J2590/91/93/94A, J2964A, J3258A/B, J3263/64/65A, J3282B, J4101A/B, J4102A/B
0950-3350	<i>New Part for 9100-5176</i>

Other Accessories

Cartridge

C3906A	Black (Micro-Fine) toner (EP) cartridge - Will print approximately 2,500 pages based on a 5 percent print density
--------	---



Other Accessories

Kit

H3971-60001 Maintenance Kit - 120V - Most common wear parts - Includes, transfer roller, pickup roller, separation pad, idler roller assembly, and fusing assembly - Procedure requires service manual

Lubricant

CK-8006-000CN Grease

Manual

5851-1468 LaserJet printer family paper specification guide
C3941-90901 LaserJet 5L printer user's manual (English)
C3941-90902 LaserJet 5L printer user's manual (German)
NO LONGER SUPPLIED
C3941-90903 LaserJet 5L printer user's manual (Spanish)
NO LONGER SUPPLIED
C3941-90904 LaserJet 5L printer user's manual (Denmark)
NO LONGER SUPPLIED
C3941-90905 LaserJet 5L printer user's manual (Portuguese)
NO LONGER SUPPLIED
C3941-90906 LaserJet 5L printer user's manual (Italian)
NO LONGER SUPPLIED
C3941-90907 LaserJet 5L printer user's manual (Swedish)
NO LONGER SUPPLIED
C3941-90908 LaserJet 5L printer user's manual (Dutch)
NO LONGER SUPPLIED
C3941-90909 LaserJet 5L printer user's manual (Polish)
NO LONGER SUPPLIED
C3941-90910 LaserJet 5L printer user's manual (French)
NO LONGER SUPPLIED
C3941-90911 LaserJet 5L printer user's manual (Norwegian)
NO LONGER SUPPLIED
C3941-90912 LaserJet 5L printer user's manual (Finnish)
NO LONGER SUPPLIED
C3941-90913 LaserJet 5L printer user's manual (Turkish)
NO LONGER SUPPLIED
C3941-90917 LaserJet 5L printer user's manual (Czechoslovakian)
NO LONGER SUPPLIED
C3941-90918 LaserJet 5L printer user's manual (Hungarian)
NO LONGER SUPPLIED
C3941-90919 LaserJet 5L printer user's manual (Russian)
NO LONGER SUPPLIED
C3941-90923 LaserJet 5L printer user's manual (European English)
NO LONGER SUPPLIED
C3990-90991 LaserJet 5L and 6L service manual
5021-8943 LaserJet quick reference guide - Volume 1 of 2 volume set
5090-3390 LaserJet quick reference guide - Volume 2 of 2 volume set

Manual Kit

5021-0377 HP-GL/2, PCL5 and PJP technical reference manual kit

Software

C6072-60301 HP-GL/2 driver software for AutoCAD - For DOS and Windows 3.1/95/NT 4.0 - On 3.5-inch 1.44MB floppy disks (English)
C6072-60304 HP-GL/2 driver software for AutoCAD - For DOS and Windows 3.1/95/NT 4.0 - On 3.5-inch 1.44MB floppy disks (German)
C6072-60305 HP-GL/2 driver software for AutoCAD - For DOS and Windows 3.1/95/NT 4.0 - On 3.5-inch 1.44MB floppy disks (French)



Other Accessories

Software

- C6072-60306 HP-GL/2 driver software for AutoCAD - For DOS and Windows 3.1/95/NT 4.0 - On 3.5-inch 1.44MB floppy disks (Spanish)
- C6072-60307 HP-GL/2 driver software for AutoCAD - For DOS and Windows 3.1/95/NT 4.0 - On 3.5-inch 1.44MB floppy disks (Italian)

Training Kit

- C3990-67915 Self paced training kit for LaserJet 5L, 5L-FS, 6L printers - NTSC format video (VHS)
- C3990-67916 Self paced training kit for LaserJet 5L, 5L-FS, 6L printers - PAL format video (VHS)

Training Test

- C3990-60184 Additional self paced training test - Contains 1 test for LaserJet 5L, 6L - Contains NTSC training video

Other Internal Parts

Gear Assembly

- 122 RY7-5007-000CN Fuser release assembly - Gear/tab assembly on left side of internal main chassis. Includes housing, 2 gears, fuser release tab

Guide

- 123 RB1-7109-000CN Guide - For memory expansion cover (Door)

Holder

- 124 RB1-7107-000CN Gear holder - For gear kit #1

Interlock

- 125 RG5-1984-000CN Interlock assembly - Detects if EP (Toner) door is open

Plate

- 126 RB1-7106-000CN Gear support plate - For gear kit #2
NO LONGER SUPPLIED

Tab

- 127 RB1-7105-000CN Fuser release lever - Part of fuser release assembly

Paper Path Parts

Arm

- 128 RB1-7293-000CN Paper exit sensor arm - Spring NOT included

Bushing

- 129 RB1-7184-000CN Pickup roller bushing
- 130 RB1-7246-000CN Pressure roller bushing
- 131 RB1-7288-020CN Exit roller bushing
- 132 RB1-7289-000CN Fuser exit roller bushing

Clip

- 133 RB1-7223-000CN Pickup roller shaft grounding clip

Clutch

- 134 RB1-7197-000CN Clutch

Connector

- 135 VS1-5057-002CN SL2/Tray 2 solenoid electrical connector

Delivery

- 136 RG5-2012-070CN Delivery assembly - Includes 4 white 'multi-ridged' & 2 other delivery rollers and their associated springs

Door

- 137 RF5-1501-030CN Main front door that is attached to the multipurpose input tray

Feed Assembly

- 138 RG5-1942-000CN Feed assembly - Has idler roller, sensor flag and paper input sensors - PS 202/203

www.druckparts.pl



Paper Path Parts

Frame

139 RB1-7177-000CN Paper feed frame - Main frame that parts such as pickup roller assembly and separation pad are installed on

Fusing Assembly

140 5182-2809 Heating element assembly (For 220V to 240V operation) - Bonds toner to paper by heat - In quantity price break packaging (Contains 5 New assemblies)
NO LONGER SUPPLIED

141 5182-2810 Heating element assembly (For 220V to 240V operation) - Bonds toner to paper by heat - In quantity price break packaging (Contains 10 New assemblies)

Gear

142 RS5-0796-000CN Pressure roller shaft gear

143 RY7-5005-000CN Gear kit - Includes first five gears on front left side area of the internal chassis - Gear kit #1

144 RY7-5006-000CN Gear kit - Includes first four gears driven by main motor

Guide

145 RB1-7176-000CN Sheet guide - Mylar strip paper guide

146 RB1-7247-000CN Fuser paper guide

147 RB1-7341-000CN Right side toner cartridge guide

148 RF5-1514-000CN Left side toner cartridge guide - Back half of guide

149 RF5-1515-000CN Right side toner cartridge guide - Back half of guide

150 RF5-1530-000CN Transfer roller guide - Fits over top of transfer roller

151 RF5-1533-000CN Pressure roller ground guide - Protects pressure roller ground cable

152 RG5-1961-000CN Transfer guide assembly

153 RG5-2013-000CN Separation guide assembly - Includes the face-up/face-down paper selection lever/deflector and fuser exit roller assembly
NO LONGER SUPPLIED

154 RG5-2014-000CN Paper guide - Inside spur assembly
NO LONGER SUPPLIED

155 RG5-2015-000CN Paper guide - Outside spur assembly
NO LONGER SUPPLIED

Heating Roller

156 RG5-1964-020CN Heating element assembly (For 100VAC to 120VAC operation) - Hollow shaft with heating element inside - Yellow 'Warning hot' label on top - Plastic sleeve not available separately
NO LONGER SUPPLIED

157 RG5-1965-020CN Heating element assembly (For 220V to 240V operation) - Hollow shaft with heating element inside - Plastic sleeve not available separately
NO LONGER SUPPLIED

Laser/Scanner

158 C3941-69003 Laser/scanner assembly - Mounts on top of the internal main chassis

Leg

159 RB1-7185-000CN Left leg - Small leg on left side of paper kick plate

160 RB1-7186-000CN Right leg - Small leg on right side of paper kick plate

Lever

161 RB1-7276-000CN Deflects paper from fuser exit roller to face-up or face-down output bin

Motor

162 RH7-1282-000CN Main motor
NO LONGER SUPPLIED

Pad

163 RY7-5077-000CN Printer separation pad kit - Includes main pad, spring, and two smaller subpads - Also order pickup roller assembly



Paper Path Parts

Plate

- 164 RF5-1517-000CN Fuser pressure plate - Guides paper over fuser roller
- 165 RF5-2372-000CN Paper kick plate (Middle)

Protector

- RB1-7334-000CN Jam prevention protector - Installs in the delivery assembly allows paper jams to be cleared without damaging printer

Roller

- 167 RB1-7226-000CN Idler roller - Shaft with roller on both ends - Part of feed assembly
- 168 RB1-7284-000CN Delivery roller #1 - White 'Multi-ridged' roller - Four are used in delivery assembly
- 169 RB1-7285-000CN Delivery roller #2 - 2 are used in delivery assembly
- 170 RF5-1516-000CN Pressure roller - Shaft/roller with gear on left side of roller located underneath the heating element
NO LONGER SUPPLIED
- 171 RF5-1521-000CN Exit roller assy - Shaft with 4 black rollers - Rollers are aligned with & work in conjunction with the white 'Multi-ridged' rollers of the delivery assembly
- 172 RF5-1522-000CN Fuser exit roller assembly - Shaft with two rollers - Attaches to separation guide assembly
- 173 RF5-1534-000CN Transfer roller - Located underneath toner (EP) cartridge
- 174 RG5-3486-040CN Pickup roller assembly - Shaft/roller assy that feeds paper from paper input assemblies - Also order separation pad kit

Sensor

- 175 RY7-5009-000CN Paper sensor flag/arm - Detects leading and trailing edges of paper

Shaft

- 176 RG5-1947-000CN Idler roller shaft assembly - Includes spring and gears on left end of shaft

Solenoid

- 177 RH7-5139-000CN Paper pickup solenoid

Spring

- 178 RB1-7286-000CN Spring for #1 delivery rollers
- 179 RB1-7287-000CN Spring for the delivery rollers
- 180 RB1-7294-000CN Spring - For paper exit sensor arm
- 181 RS5-2501-000CN Paper kick plate spring

Strap

- 182 RB1-7129-000CN Case grounding strap (metal)

Support

- 183 RB1-7255-000CN Left side pressure roller support
- 184 RB1-7256-000CN Right side pressure roller support

Tray Fin

- RB1-7332-000CN Output tray fin - Added to output tray to reduce possibility of accordion paper jams at fuser roller - Replaced by EP (Toner) door assembly
NO LONGER SUPPLIED
- RF5-1501-030CN New Part for RB1-7332-000CN

Power Supplies and Parts

Power Cord

- 8120-1351 Power cord (Mint Gray) - 17 AWG, 2.3m (7.5ft) long - Has straight (F) receptacle (For 240V in the UK, Hong Kong, Singapore, Malaysia, and Brunei)
- 8120-1369 Power cord (Mint Gray) - 17 AWG, 2.0m (6.6ft) long - Has straight (F) receptacle (For 240V in Australia, New Zealand, and China)
- 8120-1378 Power cord (Jade Gray) - 18 AWG, 2.3m (7.5ft) long - Has straight (F) receptacle (For 120V in USA, Canada, Latin America, Korea, Taiwan, Thailand, Spain, Brazil, and Vietnam)
- 8120-1689 Power cord (Mint Gray) - 17 AWG, 2.0m (6.6ft) long - Has straight (F) receptacle (For 220V in Europe, Bangladesh, Indonesia, Pakistan, Burma, Sri Lanka, and Vietnam)



Power Supplies and Parts

Power Cord

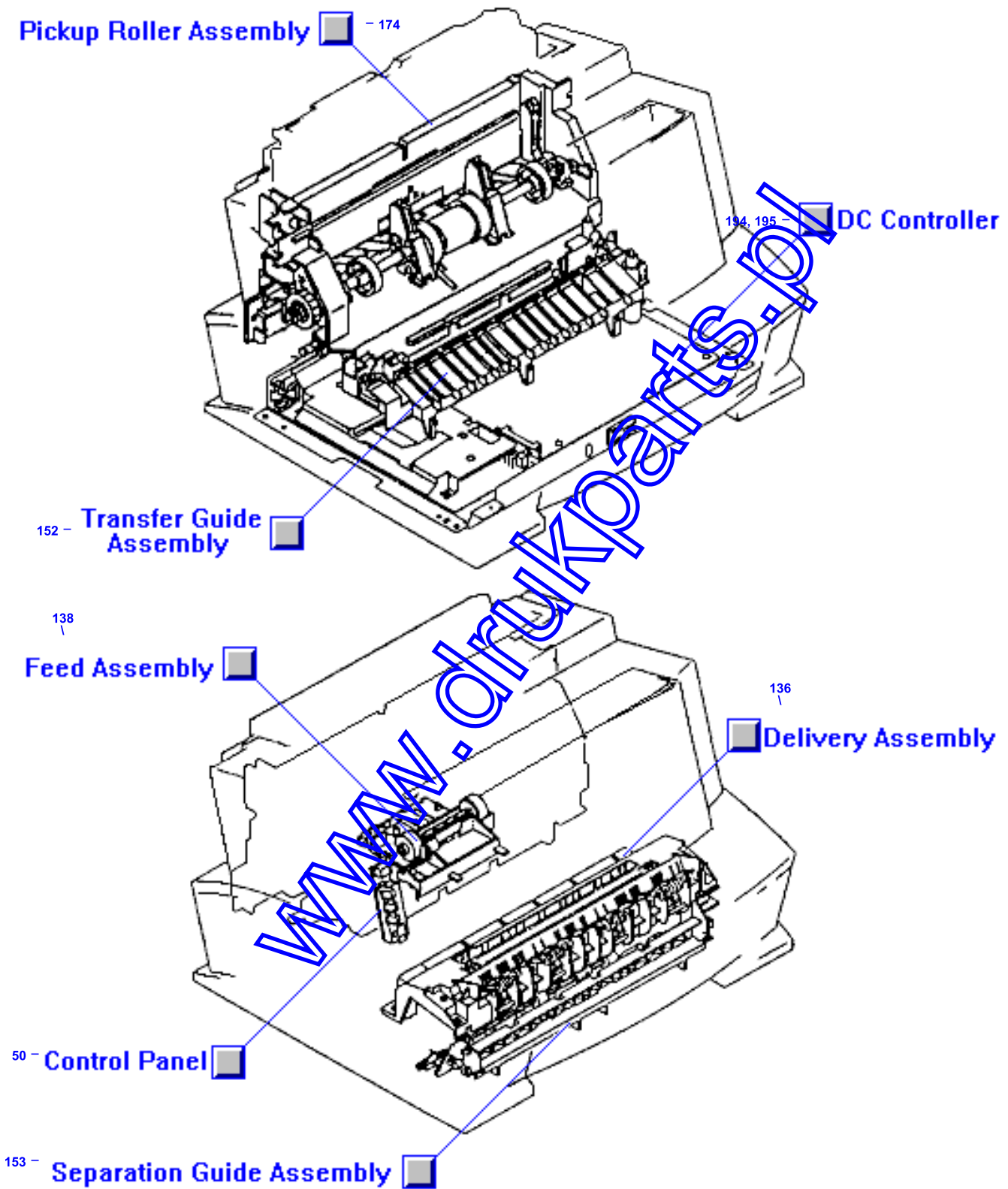
- 8120-2104 Power cord (Mint Gray) - 2.0m (6.6ft) long - Has straight (F) receptacle (For 220V in Switzerland)
- 8120-2956 Power cord (Mint Gray) - 2.0m (6.6ft) long - Has straight (F) receptacle (For 220V in Denmark)
- 8120-4211 Power cord (Mint Gray) - 17 AWG, 2.0m (6.6ft) long - Has straight (F) receptacle (For 240V in South Africa and India)
- 8120-4753 Power cord (Flint Gray) - 18 AWG, 2.3m (7.5ft) long - Has straight (F) receptacle (For 100V in Japan)

Power Supply

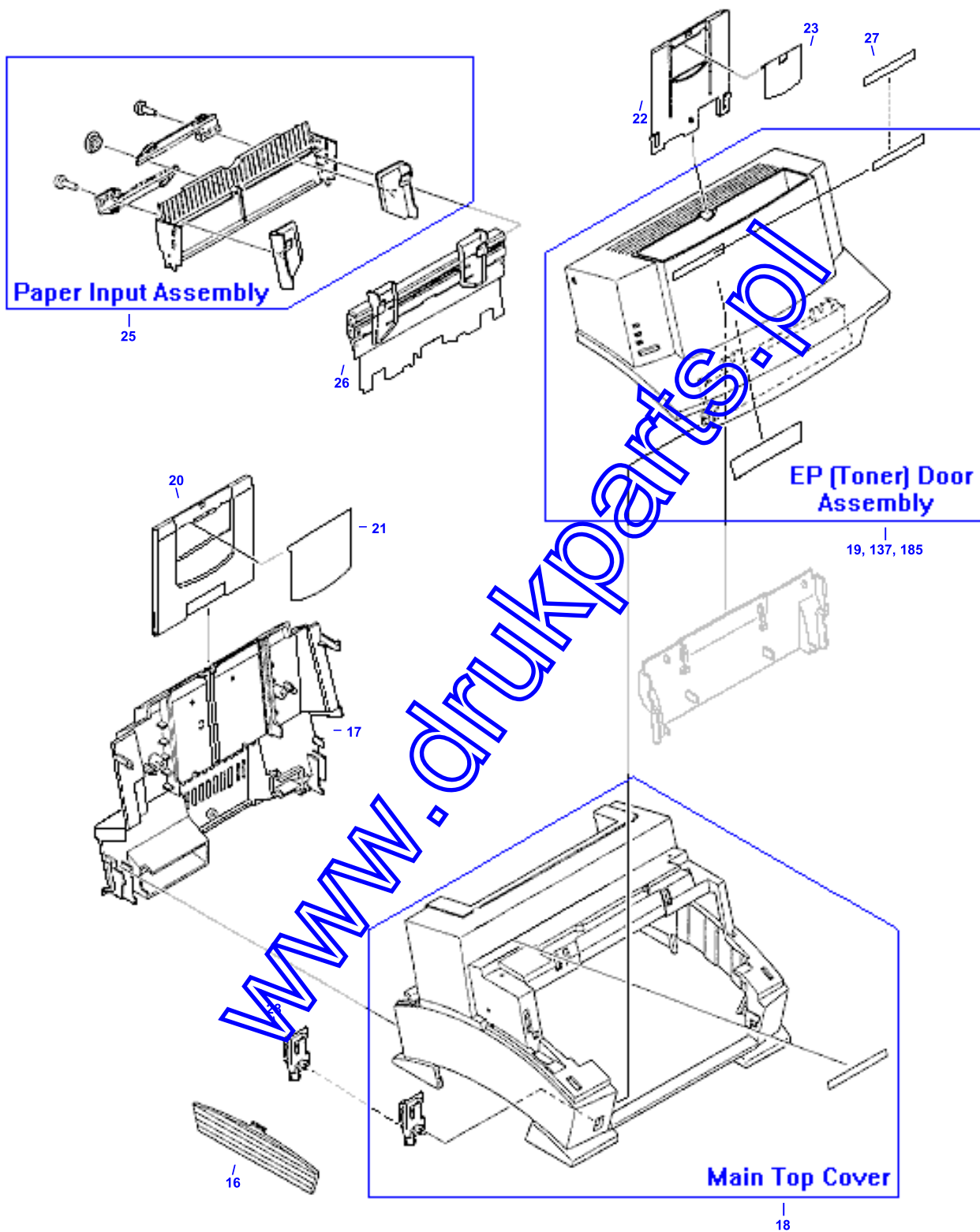
- 194 C3941-69001 DC controller/power supply board - 120VAC input
NO LONGER SUPPLIED
- 195 C3941-69002 DC controller/power supply board - 240VAC input

www.drukparts.pl

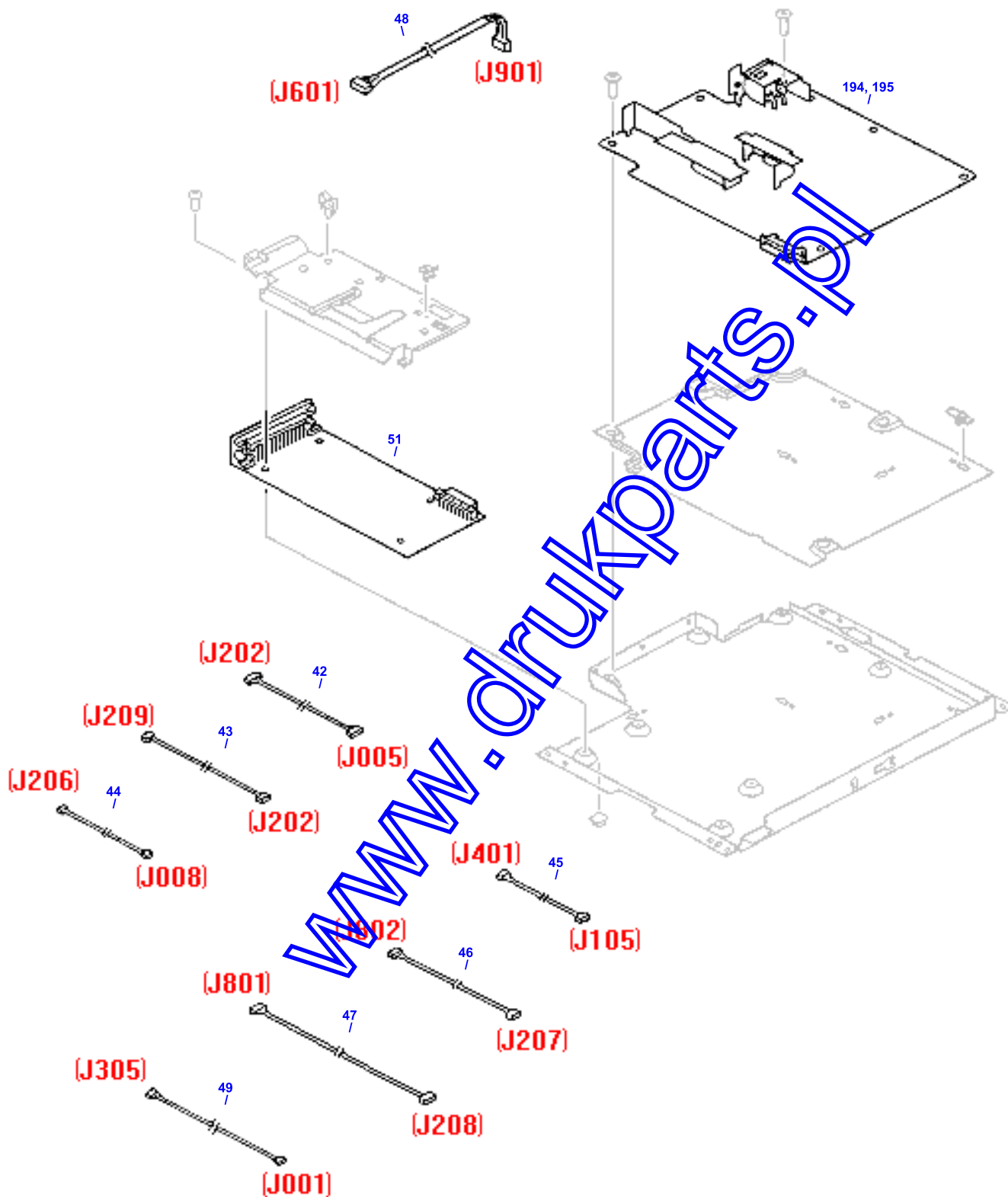
Major Assembly Locations



Covers and Doors

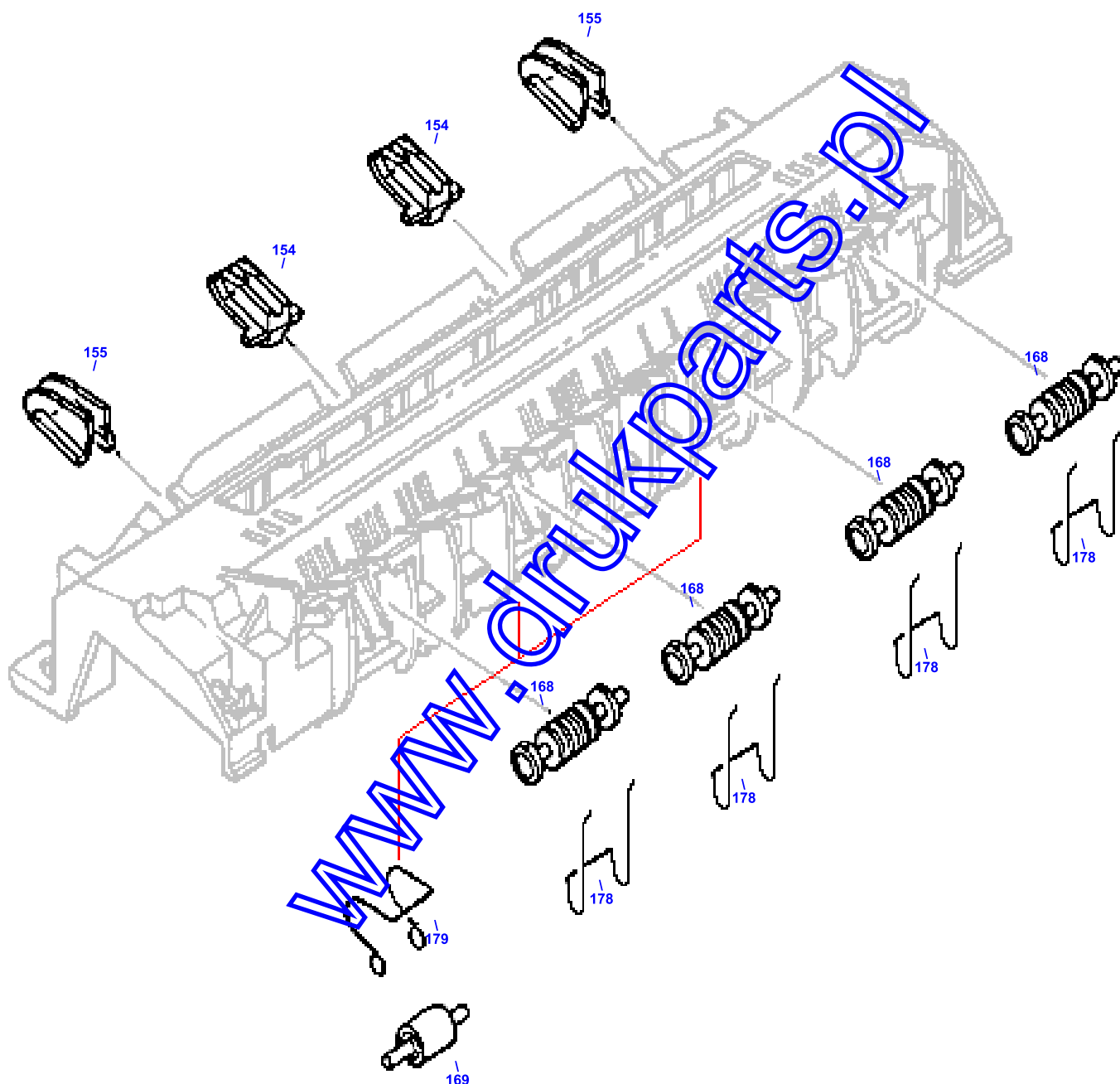


DC Controller/Formatter and Cables

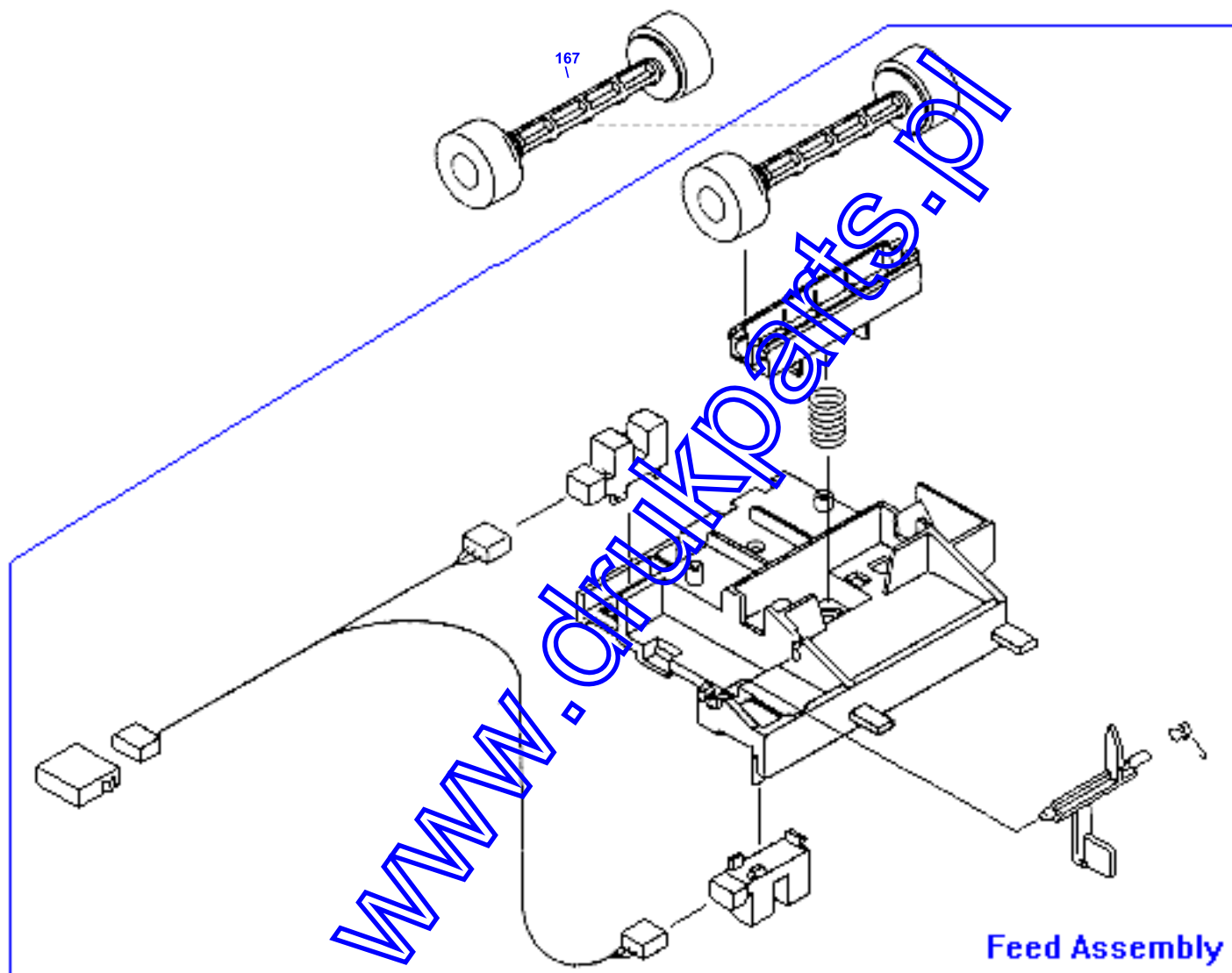


Delivery Assembly

136 -  Delivery Assembly



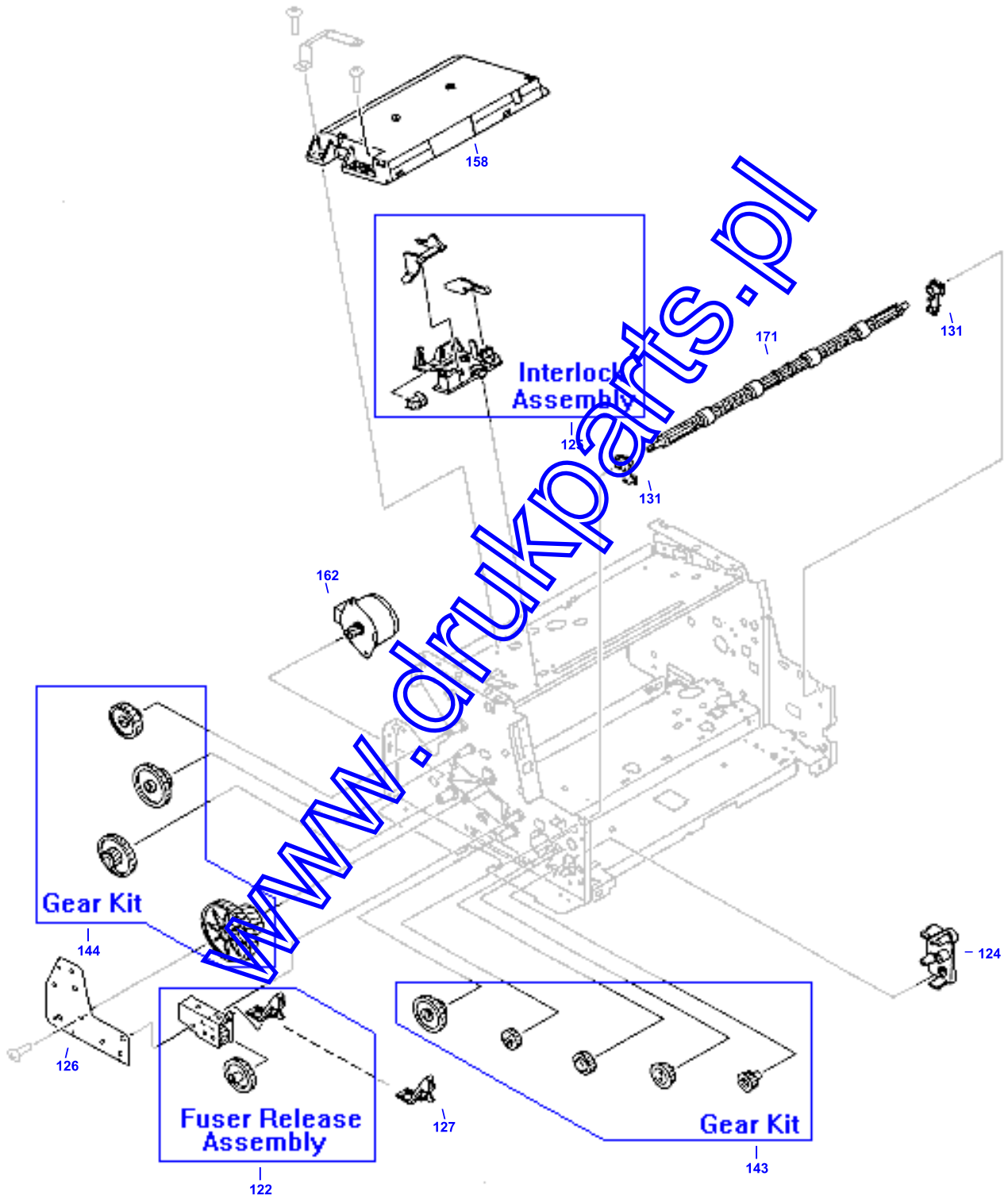
Feed Assembly



138

Internal Components (1 of 3)

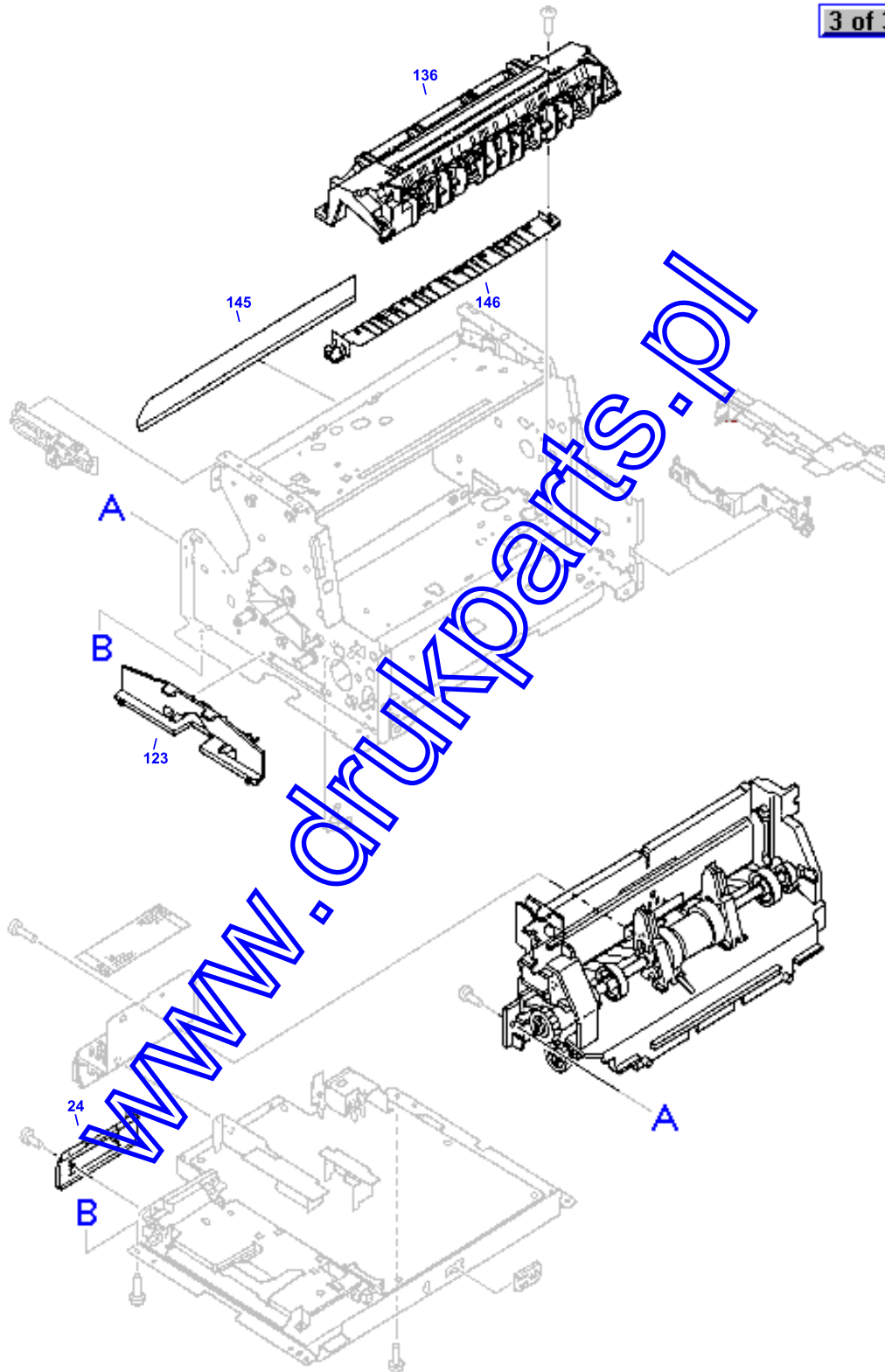
2 of 3 →



Internal Components (2 of 3)

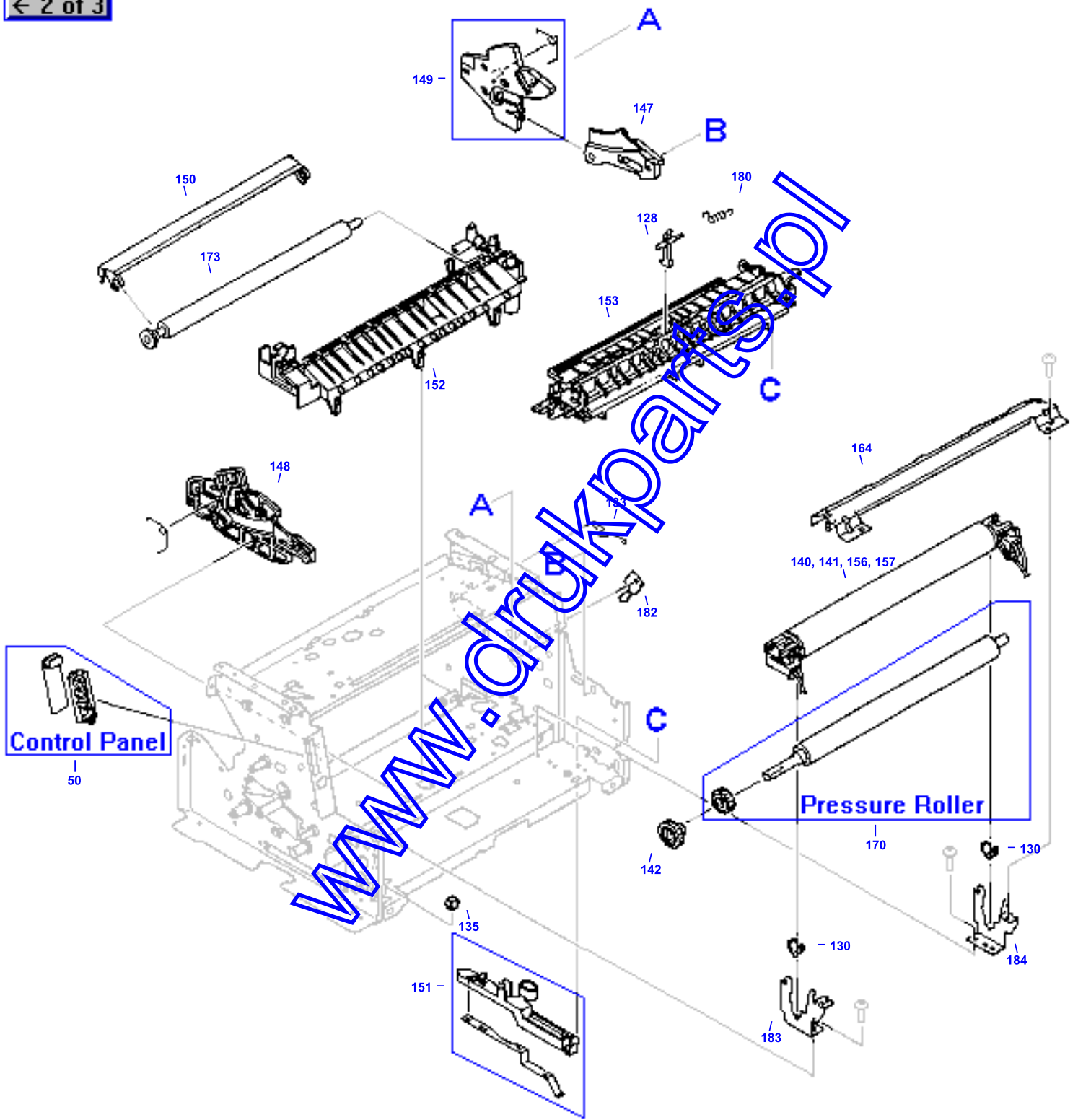
← 1 of 3

3 of 3 →

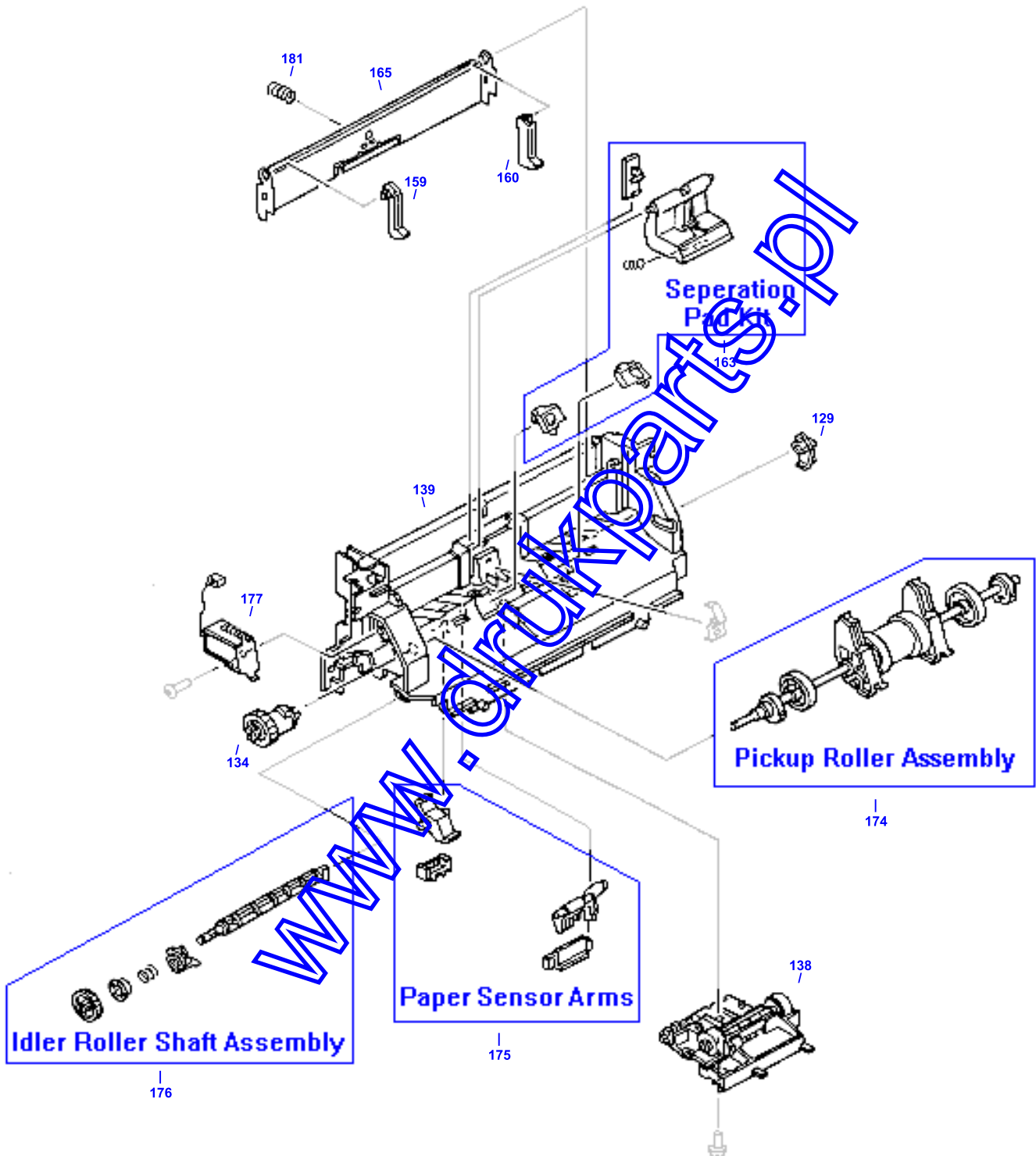


Internal Components (3 of 3)

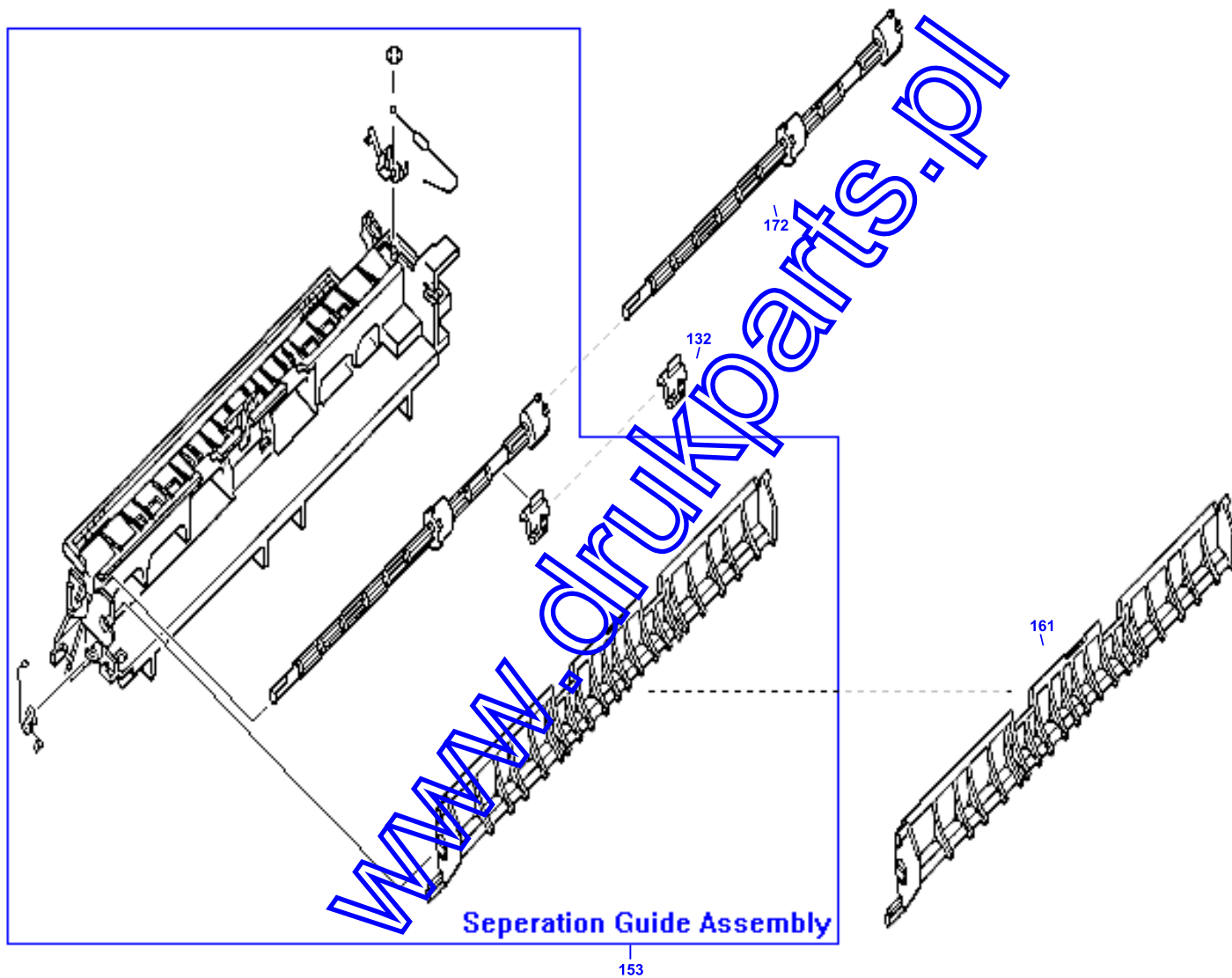
← 2 of 3



Pickup Assembly



Seperation Guide Assembly





HP Parts Reference Guide

<http://www.hp.com/go/parts>

HP PartSurfer

<http://partsurfer.hp.com>

HP Parts Ordering Information

<http://www.hp.com/go/hpparts>

HP Parts Questions/Comments

<http://partsurfer.hp.com/contactus.htm>

www.drukparts.pl