



## C2083D Lower Cassette

### Upgrade Kit

C2083D Lower cassette upgrade (500 sheet feeder) - With 500 sheet multi-size paper tray  
NO LONGER SUPPLIED

## C3157A Duplexer Parts

### Duplexer

C3157A C3157A Duplexer

## Electronic Accessories

### Adapter

C2809A Serial cable adapter - 9-pin male to 25-pin female

### Cable (Interface)

24540-80010 Centronics (parallel) cable - 36 pin (M) to 25 pin (M) - 2.0m (6.6ft) long  
5063-1256 IEEE-1284 Bi-Tronics parallel cable - DB-25 (M) connector (type A) to 36 pin Centronics (M) connector (type B) - 2.0m (6.6ft) long  
5063-1257 IEEE-1284 Bi-Tronics parallel cable - DB-25 (M) connector (type A) to 36 pin Centronics (M) connector (type B) - 3.0m (9.8ft) long  
C2932A RS-232C serial cable - 9 pin (M) to 9 pin (F) - 3.0m (9.8ft) long  
NO LONGER SUPPLIED  
C2933A RS-232C serial cable - 9 pin (M) to 25 pin (F) - 3.0m (9.8ft) long  
NO LONGER SUPPLIED  
C2950A IEEE-1284 Bi-Tronics parallel cable - DB-25 (M) connector (type A) to 36 pin Centronics (M) connector (type B) - 2.0m (6.6ft) long  
5063-1256 *New Part for C2950A*  
C2951A IEEE-1284 Bi-Tronics parallel cable - DB-25 (M) connector (type A) to 36 pin Centronics (M) connector (type B) - 3.0m (9.8ft) long  
C2990A IEEE-1284 Bi-Tronics parallel cable - DB-25 (M) (type A) to 36 pin (M) Centronics (type B) - 1.8m (6ft) long  
NO LONGER SUPPLIED  
C2991A IEEE-1284 Bi-Tronics parallel cable - DB-25 (M) (type A) to 36 pin (M) Centronics (type B) - 3.0m (10ft) long  
NO LONGER SUPPLIED

### Duplexer

C3157-69001 Duplexer assembly - For 2 sided printing  
NO LONGER SUPPLIED

### Envelope Feeder

C2082-67901 Power envelope feeder - Holds 75 envelopes

### Memory (Product)

C3131A 2MB, 70nS, 36-bit SIMM memory module - For HP LaserJet 4P, 4+, 4V, 5, 5N, 5M, 5P, 5Si  
NO LONGER SUPPLIED  
C3146-67901 *New Part for C3131A*  
C3132A 4MB, 70nS, 36-bit SIMM memory module - For HP LaserJet 4P, 4+, 4V, 5, 5N, 5M, 5P, 5Si  
NO LONGER SUPPLIED  
C3146-67901 *New Part for C3132A*  
C3133A 8MB, 70nS, 36-bit SIMM memory module - For HP LaserJet 4P, 4+, 4V, 5, 5N, 5M, 5P, 5Si  
NO LONGER SUPPLIED  
C3146-67901 *New Part for C3133A*

### Memory (SIMM)

C2747-69501 16MB SIMM memory module  
REQUIRES RETURN OF DEFECTIVE PART  
1818-5621 *New Part for C2747-69501*  
C3130-60001 1MB, 32-bit SIMM memory module  
C3131-67901 2MB, 32-bit SIMM memory module  
NO LONGER SUPPLIED  
C3146-67901 *New Part for C3131-67901*



## Electronic Accessories

### Memory (SIMM)

C3132-67901	4MB, 70nS, 36-bit parity SIMM memory module NO LONGER SUPPLIED
C3146-67901	<i>New Part for C3132-67901</i>
C3133-67901	8MB, 70nS, 36-bit parity SIMM memory module NO LONGER SUPPLIED
C3146-67901	<i>New Part for C3133-67901</i>
C3146-67901	16MB SIMM memory module

### Paper Stacker

C2806-63001	Output paper stacker - Holds 1000 sheets or 80 envelopes NO LONGER SUPPLIED
-------------	--

### PostScript

C3129-69001	Adobe's PostScript (Level 2) SIMM module NO LONGER SUPPLIED
C3129A	Adobe's PostScript (Level 2) SIMM module - Includes 35 fonts NO LONGER SUPPLIED

## External Case Parts

### Cover

27	RB1-2366-000CN	Empty slot cover
28	RB1-3470-000CN	Right side cover NO LONGER SUPPLIED
29	RB1-3471-000CN	Left side cover NO LONGER SUPPLIED
30	RG5-0459-000CN	Right front cover assembly - Includes spring loaded front door NO LONGER SUPPLIED
31	RG5-0872-000CN	Top cover assembly - Includes hinges, top cover, & top door

### Door

32	RB1-3474-000CN	Door - On top of printer - Lift-up printer access cover NO LONGER SUPPLIED
33	RB1-3559-000CN	MP door - On front panel - Does NOT include tray extension
34	RF5-0733-000CN	Rear door assembly - Includes support strap, latch, and spring NO LONGER SUPPLIED

### Holder

35	RB1-3560-000CN	Latch holder (Black) NO LONGER SUPPLIED
----	----------------	--

### Latch

36	RB1-2335-000CN	Rear door latch
37	XZ9-0379-000CN	Door latch insert (Black)

### Overlay

38	C2037-40002	Control panel overlay (French)
39	C2037-40003	Control panel overlay (German)
40	C2037-40004	Control panel overlay (Italian)
41	C2037-40005	Control panel overlay (Spanish) NO LONGER SUPPLIED
42	C2037-40006	Control panel overlay (Norwegian)
43	C2037-40007	Control panel overlay (Swedish)
44	C2037-40008	Control panel overlay (Danish)
45	C2037-40009	Control panel overlay (Finnish)



## External Case Parts

### Overlay

46	C2037-40010	Control panel overlay (Dutch)
47	C2037-40011	Control panel overlay (Polish)
48	C2037-40012	Control panel overlay (Turkish)
49	C2037-40013	Control panel overlay (Portuguese)
50	C2037-40014	Control panel overlay (European English)

### Spring

51	RS5-2219-000CN	Rear door spring under rear door latch NO LONGER SUPPLIED
----	----------------	--

### Strap

52	RB1-2354-000CN	Support strap for rear door - Supports door when open
----	----------------	---

### Tray

53	RB1-3558-000CN	Multi-Purpose tray extension - Flips out from MP door (Tray)
54	RG5-0888-000CN	Multi-Purpose input tray - Attaches to front door NO LONGER SUPPLIED

## Fusing Assembly Parts

### Fusing Assembly

55	5182-2805	Fusing assembly (240V, 50Hz) - Bonds toner to paper by heat - In quantity price break packaging (Contains 5 New fusing assemblies) NO LONGER SUPPLIED
56	5182-2806	Fusing assembly (240V, 50Hz) - Bonds toner to paper by heat - In quantity price break packaging (Contains 10 New fusing assemblies)
57	C2037-69001	Fusing assembly (120V) - Bonds toner to paper by heat REQUIRES RETURN OF DEFECTIVE PART <i>RG5-0879-130CN New Part for C2037-69001</i>
58	C2037-69002	Fusing assembly (240V) - Bonds toner to paper by heat REQUIRES RETURN OF DEFECTIVE PART <i>RG5-0880-130CN New Part for C2037-69002</i>

### Gear

59	RS5-0231-000CN	Fuser drive gear - 19 tooth
	RS5-0232-000CN	Fuser output gear - 23 tooth
61	RS5-0388-000CN	Fusing roller drive gear - 42 tooth

### Lamp

62	RH7-4054-020CN	Fusing heat lamp (120V, 60Hz)
63	RH7-4055-020CN	Fusing heat lamp (240V, 50Hz)

### Roller

64	RB1-3516-020CN	Fusing roller - Hollow roller - Heat lamp goes in its core
65	RB1-3517-030CN	Lower pressure roller - Hard rubber roller - In fusing assembly

### Thermistor

66	RH7-7054-000CN	Thermistor assembly - Includes cable
----	----------------	--------------------------------------

### Thermoswitch

67	RG5-0881-000CN	Thermoswitch (fuser temperature switch) - At left of fusing roller
----	----------------	--

## Labels and Transparencies

### Film (Transparency)

92296U	LaserJet printer transparency film - A4 size (21.0cm x 29.7cm) - 50 sheets per box
92296T	LaserJet printer transparency film - A size (8.5 x 11-inches) - 50 sheets per box



## Labels and Transparencies

### Labels

92296A	LaserJet printer addressing labels - 2.54cm (1.00in) x 6.67cm (2.63in) labels - 30 per sheet - 100 sheets per box NO LONGER SUPPLIED
92296B	LaserJet printer addressing labels - 3.38cm (1.33in) x 10.2cm (4.00in) labels - 14 per sheet - 100 sheets per box NO LONGER SUPPLIED
92296C	LaserJet printer addressing labels - 2.54cm (1.00in) x 10.2cm (4.00in) labels - 20 per sheet - 100 sheets per box NO LONGER SUPPLIED
92296D	LaserJet printer addressing/shipping labels - 5.08cm (2.00in) x 10.2cm (4.00in) labels - 10 per sheet - 100 sheets per box NO LONGER SUPPLIED
92296E	LaserJet printer shipping labels - 8.47cm (3.33in) x 10.2cm (4.00in) labels - Six per sheet - 100 sheets per box NO LONGER SUPPLIED
92296F	LaserJet printer return address labels - 1.27cm (0.50in) x 4.45cm (1.75in) labels - 80 per sheet - 25 sheets per box NO LONGER SUPPLIED
92296G	LaserJet printer file folder labels - 1.69cm (0.67in) x 8.73cm (3.44in) labels - 30 per sheet - 25 sheets per box NO LONGER SUPPLIED
92296H	LaserJet printer labels for 3.5-inch diskettes - 7.00cm (2.75in) x 7.00cm (2.75in) labels - Nine per sheet - 70 sheets per box NO LONGER SUPPLIED
92296J	LaserJet printer labels for 5.25-inch diskettes - 3.81cm (1.50in) x 10.2cm (4.00in) labels - 12 per sheet - 70 sheets per box NO LONGER SUPPLIED
92296K	LaserJet printer full sheet label - A size (8.5 x 11-inches) label - One per sheet - 100 sheets per box NO LONGER SUPPLIED
92296L	LaserJet/DeskJet printer labels - 9.91cm (3.90in) x 3.81cm (1.50in) labels on A4 size (21.0cm x 29.7cm) sheet - 14 per sheet - 100 sheets per box NO LONGER SUPPLIED
92296M	LaserJet/DeskJet printer labels - 9.91cm (3.90in) x 3.38cm (1.33in) labels on A4 size (21.0cm x 29.7cm) sheet - 16 per sheet - 100 sheets per box NO LONGER SUPPLIED
92296N	LaserJet/DeskJet printer labels - 6.35cm (2.50in) x 3.81cm (1.50in) labels on A4 size (21.0cm x 29.7cm) sheet - 21 per sheet - 100 sheets per box NO LONGER SUPPLIED
92296P	LaserJet/DeskJet printer labels - 10.0cm (3.94in) x 5.10cm (2.01in) labels on A4 size (21.0cm x 29.7cm) sheet - 10 per sheet - 100 sheets per box NO LONGER SUPPLIED
92296R	LaserJet/DeskJet printer labels - 20.0cm (7.86in) x 28.9cm (11.4in) labels on A4 size (21.0cm x 29.7cm) sheet - One per sheet - 100 sheets per box NO LONGER SUPPLIED

## Logic/Control Electronics

### Cable

85	RG5-0524-000CN	Cable assembly - From DC controller to paper control board
86	RG5-0982-000CN	Cable assembly - From DC controller board to the control panel

### Control Panel

87	RG5-1076-000CN	Control panel assembly (for 220V/240V operation ONLY) - Includes the display (overlay NOT included)
88	RG5-1077-000CN	Control panel assembly (for 100V/120V operation) - Includes the display and an English overlay NO LONGER SUPPLIED

### PC Board

89	C2037-69004	DC controller board
	RG5-0966-030CN	New Part for C2037-69004
90	C2038-69004	Formatter (Main logic) board REQUIRES RETURN OF DEFECTIVE PART
	C2038-67901	New Part for C2038-69004



## Logic/Control Electronics

### PC Board

- 91 RG5-0512-070CN Paper control board - On right side of paper feed assembly
- RG5-0966-030CN DC controller board

## Optional Interfaces

### Interface (Module)

- J4101-61011 External JetDirect 300X print server module (10Base-T and 100Base-T) - Connects between printer parallel port and LAN network - Does NOT include power module - (J4101A, J4101B)

### Interface (Product)

- J2552B LAN & LocalTalk interface - Has EtherTwist (10Base-T), ThinLAN (10Base-2), and LocalTalk (DIN-8) connectors  
NO LONGER SUPPLIED
- J2555B Token ring LAN interface board - DB-9 and RJ-45 connectors  
NO LONGER SUPPLIED
- J2556B EtherTwist (10Base-T) or 100Base-TX LAN interface board - Has an RJ-45 connector  
NO LONGER SUPPLIED
- J2590A External JetDirect LAN interface module with RJ-45 connector for EtherTwist (10Base-T) or 100VG/802.12 input and 3 parallel (DB-25) output connectors  
NO LONGER SUPPLIED
- J2591A External JetDirect LAN interface module and power module - Has EtherTwist (10Base-T) and ThinLAN (10Base-2) connectors  
NO LONGER SUPPLIED
- J3258B External JetDirect 170X LAN interface module - Interfaces a parallel printer to an ethernet 10Base-T (RJ-45) LAN
- J3264A External JetDirect 500X token ring interface module - Interfaces up to 3 parallel printers to a token ring (DB-9 or RJ-45) LAN
- J3265A External JetDirect 500X LAN interface module - Interfaces up to 3 parallel printers to an ethernet 10Base-T (RJ-45), 10Base2 (BNC), or 100Base-TX (RJ-45) LAN
- J4100A JetDirect 400N modular input/output (MIO) - Internal print server - Provides 10/100Base-T or 10Base-2 network connection using RJ45 or BNC connectors
- J4105A JetDirect 400N modular input/output (MIO) - Internal print server - Provides token ring network connection using RJ45 or DB9 connectors
- J4106A JetDirect 400N modular input/output (MIO) - Internal print server - Provides 10Base-T network connection using RJ45 connector

### Module

- J2382-69003 External JetDirect LAN interface module with ethertwist (10Base-T) and ThinLAN (10BASE-2) connectors
- J2383-61005 External token ring interface module - Has DB-9 connector
- J2590-69001 External JetDirect LAN interface module with RJ-45 connector for ethertwist (10Base-T) or 100VG/802.12 input and 3 parallel (DB-25) output connectors  
REQUIRES RETURN OF DEFECTIVE PART
- J2590-61011 *New Part for J2590-69001*
- J2591-69001 External JetDirect LAN interface module with ethertwist (10Base-T) and ThinLAN (10BASE-2) connectors
- J2592-69001 External JetDirect LAN interface module with ethertwist (10Base-T) connector  
REQUIRES RETURN OF DEFECTIVE PART
- J2592-61001 *New Part for J2592-69001*
- J2593-69001 External JetDirect LAN interface module with Ethertwist (10Base-T) and ThinLAN (10BASE-2) input connectors and 3 parallel (DB-25) output connectors - (part of J2593A)
- J2594-69001 External JetDirect token ring interface module with DB-9 and RJ-45 input connectors and 3 parallel (DB-25) output connectors - (part of J2594A)  
REQUIRES RETURN OF DEFECTIVE PART
- J2594-61011 *New Part for J2594-69001*
- J3258-61011 External JetDirect LAN interface module with EtherTwist (10Base-T) connector - (J3258A, J3258B)
- J4102-69011 External JetDirect LAN interface module with EtherTwist (10Base-T) connector - (J4102A, J4102B)  
REQUIRES RETURN OF DEFECTIVE PART
- J4102-61011 *New Part for J4102-69011*



## Optional Interfaces

### Module (Product)

- J4101B External JetDirect LAN interface module with EtherTwist (10Base-T/Base-TX) connector
- J4102B External JetDirect LAN interface module with EtherTwist (10Base-T) connector

### PC Board (Interface)

- J2550-69013 EtherTwist 10Base-T LAN interface board
- J2552-69013 LAN and LocalTalk interface - EtherTwist (10Base-T), ThinLAN (10Base-2), and LocalTalk (DIN-8) connectors
- J2555-69013 Token ring LAN interface board - DB-9 and RJ-45 connectors
- J4100-69001 JetDirect 400N modular input/output (MIO) internal print server - Provides 10/100Base-TX or 10Base-2 network connection using RJ45 or BNC connectors - (J4100A)  
REQUIRES RETURN OF DEFECTIVE PART
- J4100-61001 *New Part for J4100-69001*
- J4106-69001 Replacement JetDirect 400N modular input/output (MIO) internal print server  
REQUIRES RETURN OF DEFECTIVE PART
- J4106-61001 *New Part for J4106-69001*

### Power Cord

- 8120-1351 Power cord (Mint Gray) - 17 AWG, 2.3m (7.5ft) long - Has straight (F) receptacle (For 240V in the UK, Hong Kong, Singapore, Malaysia, and Brunei)
- 8120-1369 Power cord (Mint Gray) - 17 AWG, 2.0m (6.6ft) long - Has straight (F) receptacle (For 240V in Australia, New Zealand, and China)
- 8120-1378 Power cord (Jade Gray) - 18 AWG, 2.3m (7.5ft) long - Has straight (F) receptacle (For 120V in USA, Canada, Latin America, Korea, Taiwan, Thailand, Spain, Brazil, and Vietnam)
- 8120-1689 Power cord (Mint Gray) - 17 AWG, 2.0m (6.6ft) long - Has straight (F) receptacle (For 220V in Europe, Bangladesh, Indonesia, Pakistan, Burma, Sri Lanka, and Vietnam)
- 8120-2104 Power cord (Mint Gray) - 2.0m (6.6ft) long - Has straight (F) receptacle (For 220V in Switzerland)
- 8120-2956 Power cord (Mint Gray) - 2.0m (6.6ft) long - Has straight (F) receptacle (For 220V in Denmark)
- 8120-4753 Power cord (Flint Gray) - 18 AWG, 2.3m (7.5ft) long - Has straight (F) receptacle (For 100V in Japan)
- 8120-6302 'Daisy chain' power cord (Dove Gray) - 18 AWG, 1.2m (4.0ft) long - Has C14 (M) plug for power input and C13 (F) plug for power output

### Power Module

- 0950-2372 Power supply module - 100-240VAC input, 47-63Hz, requires separate AC power cord - 5VDC output, 1A, 5 watts - For J2382/83A/B
- 0950-3169 Wall mount power supply module - 110-127V AC 57-63Hz input - 13V DC output at 300mA (USA, Canada) - For use with the J2592A external JetDirect LAN interface module
- 0950-3170 Power supply module - 200-250VAC input, 47-53Hz - 13VDC output, 300mA (Europe, Israel) - For use with the J2592A external JetDirect LAN interface module
- 0950-3171 Power supply module - 220-240VAC input, 47-53Hz - 13VDC output, 300mA (U.K., Hong Kong) - For use with the J2592A external JetDirect LAN interface module
- 0950-3172 Power supply module - 240VAC input, 47-53Hz - 13VDC output, 300mA (Australia) - For use with the J2592A external JetDirect LAN interface module
- 0950-3348 Wall mount power supply module (MEI-AH ED12006) - 110-127VAC input, 57-63Hz - 13VDC output, 800mA, 10.4 watts (for use in the United States and Canada) - For models J2590/91/93/94A, J2964A, J3258A/B, J3263/64/65A, J3282B, J4101A/B, J4102A/B
- 0950-3349 Wall mount power supply module (MEI-AH ED12007) - 230VAC input, 47-53Hz - 13VDC output, 800mA, 10.4 watts (for use in Europe and Israel) - For JetDirect/infrared interface models J2590/91/93/94A, J2964A, J3258A/B, J3263/64/65A, J3282B, J4101A/B, J4102A/B
- 0950-3350 Wall mount power supply module (MEI-AH ED12008) - 220-240VAC input, 47-53Hz - 13VDC output, 800mA, 10.4 watts (for use in the United Kingdom) - For JetDirect/infrared interfaces J2590/91/93/94A, J2964A, J3258A/B, J3263/64/65A, J3282B, J4101A/B, J4102A/B
- 0950-3351 Wall mount power supply module (MEI-AH ED12009) - 220VAC input, 47-63Hz - 13VDC output, 800mA, 10.4 watts (for use in South Korea) - For JetDirect/infrared interface models J2590/91/93/94A, J2964A, J3258A/B, J3263/64/65A, J3282B, J4101A/B, J4102A/B



## Optional Interfaces

### Power Module

0950-3352	Wall mount power supply module (MEI-AH ED12010) - 100VAC input, 47-63Hz - 13VDC output, 800mA, 10.4 watts (for use in Japan) - For JetDirect/infrared interface models J2590/91/93/94A, J2964A, J3258A/B, J3263/64/65A, J3282B, J4101A/B, J4102A/B
0950-3354	Wall mount power supply module (MEI-AH ED12010) - 220-250VAC input, 47-53Hz - 13VDC output, 800mA, 10.4 watts (for use in South Africa) - For JetDirect/infrared interface models J2590/91/93/94A, J2964A, J3258A/B, J3263/64/65A, J3282B, J4101A/B, J4102A/B
9100-5176	Wall mount power supply module (Leader Electronics 48130625HK) - 200VAC input, 48-52Hz - 13VDC output, 625mA (Hong Kong) - For JetDirect Modules and Infrared Interface Models J2590/91/93/94A, J2964A, J3258A/B, J3263/64/65A, J3282B, J4101A/B, J4102A/B
0950-3350	<i>New Part for 9100-5176</i>

## Optional Paper Trays

### Stop

141	RB1-2370-020CN	Stop plate - For paper length in 250 page universal cassette
142	RF5-0430-000CN	Stop plate - For paper width in 250 page universal cassette
143	RF5-0446-000CN	Stop plate - For paper length in 500 page lower cassette NO LONGER SUPPLIED

### Tab

RA2-1999-000CN	Corner tab for universal cassette, LaserJet 4 - Prevents paper wrinkling and misfeeds
----------------	---

### Tray

145	C2084C	HP LaserJet 4, 4M, 4+, and 4M+ Multi-size 500-sheet tray - Holds letter, Executive, and A4 size paper
146	C2084D	HP LaserJet 4, 4M, 4+, and 4M+ Multi-size 500-sheet tray - Holds letter, legal Executive, and A4 size paper - Only fits C2083D optional 500 sheet feeder assembly
147	C2085D	HP LaserJet 4 Plus and 4M Plus Multi-size paper tray - Holds 250 sheets of letter, legal, Executive, or A4 size paper
148	C2085E	HP LaserJet 4 Plus and 4M Plus Letter paper input tray - Holds 250 sheets of 8.5in x 11in letter size paper
149	C2085F	HP LaserJet 4 Plus and 4M Plus A4 paper input tray - Holds 250 sheets of 8.3in x 11.7in A4 size paper

## Other Accessories

### Brush

150	RB1-2260-000CN	Cleaning brush - For cleaning the anti-static brush
-----	----------------	---

### Cartridge

92298A	Black toner (EP) cartridge - With 'Micro-Fine' toner - Prints approximately 6,800 pages
92298X	Maximum black toner (EP) cartridge - With 'Micro-Fine' toner - Prints approximately 8,800 pages

### Manual

C2037-90901	LaserJet 4 Plus/4M Plus printer user's manual (English) NO LONGER SUPPLIED
C2037-90903	LaserJet 4 Plus/4M Plus printer user's manual (German) NO LONGER SUPPLIED
C2037-90904	LaserJet 4 Plus/4M Plus printer user's manual (Italian) NO LONGER SUPPLIED
C2037-90905	LaserJet 4 Plus/4M Plus printer user's manual (French) NO LONGER SUPPLIED
C2037-90906	LaserJet 4 Plus/4M Plus printer user's manual (Spanish) NO LONGER SUPPLIED
C2037-90907	LaserJet 4 Plus/4M Plus printer user's manual (Swedish) NO LONGER SUPPLIED
C2037-90908	LaserJet 4 Plus/4M Plus printer user's manual (Norwegian) NO LONGER SUPPLIED
C2037-90909	LaserJet 4 Plus/4M Plus printer user's manual (Danish) NO LONGER SUPPLIED



**Other Accessories**

**Manual**

- C2037-90910 LaserJet 4 Plus/4M Plus printer user's manual (Dutch)  
NO LONGER SUPPLIED
- C2037-90911 LaserJet 4 Plus/4M Plus printer user's manual (Finnish)  
NO LONGER SUPPLIED
- C2037-90912 LaserJet 4 Plus/4M Plus printer user's manual (Portuguese)  
NO LONGER SUPPLIED
- C2037-90913 LaserJet 4 Plus/4M Plus printer user's manual (Polish)  
NO LONGER SUPPLIED
- C2037-90914 LaserJet 4 Plus/4M Plus printer user's manual (Turkish)  
NO LONGER SUPPLIED
- C2037-90917 LaserJet 4 Plus printer 'Getting Started' manual (English)  
NO LONGER SUPPLIED
- C2037-90919 LaserJet 4 Plus printer 'Getting Started' manual (German)  
NO LONGER SUPPLIED
- C2037-90920 LaserJet 4 Plus printer 'Getting Started' manual (Italian)  
NO LONGER SUPPLIED
- C2037-90921 LaserJet 4 Plus printer 'Getting Started' manual (French)  
NO LONGER SUPPLIED
- C2037-90922 LaserJet 4 Plus printer 'Getting Started' manual (Spanish)  
NO LONGER SUPPLIED
- C2037-90923 LaserJet 4 Plus printer 'Getting Started' manual (Swedish)  
NO LONGER SUPPLIED
- C2037-90924 LaserJet 4 Plus printer 'Getting Started' manual (Norwegian)  
NO LONGER SUPPLIED
- C2037-90925 LaserJet 4 Plus printer 'Getting Started' manual (Danish)  
NO LONGER SUPPLIED
- C2037-90926 LaserJet 4 Plus printer 'Getting Started' manual (Dutch)  
NO LONGER SUPPLIED
- C2037-90927 LaserJet 4 Plus printer 'Getting Started' manual (Finnish)  
NO LONGER SUPPLIED
- C2037-90928 LaserJet 4 Plus printer 'Getting Started' manual (Portuguese)  
NO LONGER SUPPLIED
- C2037-90929 LaserJet 4 Plus printer 'Getting Started' manual (Polish)  
NO LONGER SUPPLIED
- C2037-90930 LaserJet 4 Plus printer 'Getting Started' manual (Turkish)  
NO LONGER SUPPLIED
- C3129-90901 C3129A PostScript SIMM technical reference guide  
NO LONGER SUPPLIED
- C3916-90984 LaserJet 4, 4M, 4+, 4M+, 5, 5M, and 5N printer combined service manual (English) - Also includes installation and service and parts information on the C3157A and C3920A duplexers
- 5021-8943 LaserJet quick reference guide - Volume 1 of 2 volume set
- 5090-3390 LaserJet quick reference guide - Volume 2 of 2 volume set

**Manual Kit**

- 5021-0377 HP-GL/2, PCL5 and PJP technical reference manual kit

**Packaging**

- C2001-00906 Packaging (Shipping box) kit  
NO LONGER SUPPLIED

**Software**

- C6072-60301 HP-GL/2 driver software for AutoCAD - For DOS and Windows 3.1/95/NT 4.0 - On 3.5-inch 1.44MB floppy disks (English)
- C6072-60304 HP-GL/2 driver software for AutoCAD - For DOS and Windows 3.1/95/NT 4.0 - On 3.5-inch 1.44MB floppy disks (German)





**Other Accessories**

**Software**

- C6072-60305 HP-GL/2 driver software for AutoCAD - For DOS and Windows 3.1/95/NT 4.0 - On 3.5-inch 1.44MB floppy disks (French)
- C6072-60306 HP-GL/2 driver software for AutoCAD - For DOS and Windows 3.1/95/NT 4.0 - On 3.5-inch 1.44MB floppy disks (Spanish)
- C6072-60307 HP-GL/2 driver software for AutoCAD - For DOS and Windows 3.1/95/NT 4.0 - On 3.5-inch 1.44MB floppy disks (Italian)

**Training Kit**

- C2037+49A-61 Self paced training kit for LaserJet 4, 4M, 4+, and 4M+ - Includes service manual, NTSC format video (VHS), and five tests - Also includes 'LaserJet Basics' course  
NO LONGER SUPPLIED
- C2037+49A-62 Self paced training kit for LaserJet 4, 4M, 4+, and 4M+ - Includes service manual, NTSC format video (VHS), and five tests - Does NOT include 'LaserJet Basics' course  
NO LONGER SUPPLIED
- C2037+49A-64 Self paced training kit for LaserJet 4, 4M, 4+, and 4M+ - Includes service manual, PAL format video (VHS), and five tests - Does NOT include 'LaserJet Basics' course  
NO LONGER SUPPLIED
- C3916-67909 Self paced training kit for LaserJet 4, 4M, 4+, 4M+, 5, 5M, and 5N - Includes service manual, NTSC format video (VHS)
- C3916-67910 Self paced training kit for LaserJet 4, 4M, 4+, 4M+, 5, 5M, and 5N - Includes service manual, PAL format video (VHS)

**Training Test**

- 5961-0882 Additional self paced training test - Contains 5 tests for 'LaserJet Basics'  
NO LONGER SUPPLIED
- C3916-90995 Additional self paced training test - Contains 5 tests for the LaserJet 5 series - Also covers the LJ 4, 4+, 4M, and 4M+

**Other Internal Parts**

**Cable**

- 197 RG5-0529-000CN Cable assembly - From paper control board to envelope feeder
- 198 RG5-0975-000CN Cable assembly - 8 pin (F) connector to both a 16.5cm (6.5 inch) cable with a 4 pin (F) connector and a 22.5cm (8.9 inch) cable with a ferrite and a 6 pin (F) connector
- 199 RG5-0976-000CN Cable assembly - 7 pin (F) connector on each end - 31.1cm (12.3 inches) long
- 200 RG5-0978-000CN Cable assembly - From DC controller to main motor
- 201 RG5-0979-000CN Cable assembly - From DC controller to connector board assembly - For high voltage connector block

**Cover**

- 202 RB1-2141-000CN Inner cover plate
- 203 RB1-2226-000CN High voltage cover - Plastic 'Part' for high voltage board
- 204 RB1-3481-020CN Cover for gear cluster (Main Drive Train) assembly
- 205 RF5-0739-000CN SIMM access cover plate

**Fan**

- 206 RH7-1177-000CN Fan assembly

**Guide**

- 207 RB1-2107-000CN Cassette guide - Paper cassette support guide  
NO LONGER SUPPLIED
- RF5-1079-000CN Right cassette guide (L-shaped)

**Laser/Scanner**

- 209 C2037-69008 Laser/scanner assembly  
REQUIRES RETURN OF DEFECTIVE PART
- RG5-0903-070CN *New Part for C2037-69008*

**Lever**

- 210 RB1-2138-000CN Top cover interlock lever



### Other Internal Parts

#### PC Board

211 RG5-0515-000CN Interconnect board - Includes cable to A/C power module - Connects DC controller and high voltage power supply to fusing assembly

#### Shield

212 RF5-0746-000CN Formatter RFI shield

#### Shutter

213 RB1-2080-000CN Laser shutter - Attaches to bottom of laser/scanner assembly

#### Support

214 RB1-2105-030CN Toner cartridge support - Black plastic bar that attaches above the toner cartridge

### Paper Path Parts

#### Arm

215 RB1-2133-000CN 'Paper out' sensor arm

#### Base

216 RG5-0467-060CN Tray 1 base assembly - Attachment point for MP input tray

#### Belt

217 XF9-0410-000CN Timing belt

#### Brush

218 RB1-2237-020CN Brush - Static eliminating

#### Cable

219 RG5-0980-000CN Cable assembly - From DC controller to delivery sensor (PS3)

#### Gear Assembly

220 RG5-0876-050CN Gear cluster (Drive train) assembly

#### Guide

221 RB1-2131-000CN Paper guide - Guides paper out of tray 1  
NO LONGER SUPPLIED

222 RB1-2236-000CN Feeder guide - Ribbed (Gray) metal plate at top of printer

223 RF5-0532-000CN Upper delivery guide - On top of paper output assembly

224 RG5-0468-000CN Transfer guide assembly - Ribbed paper guide for the high voltage transfer roller (Does NOT include transfer roller)

225 RG5-0469-020CN Transfer guide assembly - Plate between toner cartridge & fuser

#### Holder

226 RB1-2181-000CN Guide roller holder (U-shaped)

227 RB1-2259-040CN Rear paper holder

228 RF5-0369-040CN Front paper holder

#### Kit

C2037-69010 Maintenance kit (120V) - Includes fusing assembly, separation pad, transfer roller, multipurpose pickup roller, upper cassette pickup roller, and lower cassette pickup roller  
NO LONGER SUPPLIED  
REQUIRES RETURN OF DEFECTIVE PART

C2037-67912 *New Part for C2037-69010*

C2037-69011 Maintenance kit (220V) - Includes fusing assembly, separation pad, transfer roller, multipurpose pickup roller, upper cassette pickup roller, and lower cassette pickup roller  
NO LONGER SUPPLIED

H3968-60001 Paper exit jam repair kit - Includes upper and lower delivery rollers, output rollers and roller pressure springs - Installation procedure requires service manual



## Paper Path Parts

### Motor

- 232 RH7-1197-000CN Paper pickup motor
- 233 RH7-1301-000CN Main motor assembly

### PC Board

- 237 RG5-0514-000CN Sensor board - Narrow board w/ sensors

### Pad

- 234 RF5-0343-000CN Separation pad (Rectangular) - For multipurpose tray input

### Paper Output Unit

- 235 RG5-0886-070CN Paper output assembly - Belt driven

### Paper Pick-Up

- 236 C2037-69003 Paper pickup (Feeder) assembly (Motor driven)

### Roller

- 238 RB1-2127-000CN Pickup roller (Oval shaped) - For multipurpose tray
- 239 RB1-2182-000CN Guide roller - In center of paper feed assembly
- 240 RB1-2253-000CN Guide roller - Fits on paper guide
- 241 RB1-2299-030CN Delivery roller - Double roller in paper output assembly
- 242 RB1-3477-000CN Pickup roller (Quarter circle shaped) - For upper cassette
- 243 RF5-0349-000CN Transfer roller - Goes in paper guide/hv contact plate assembly
- 244 RF5-1077-030CN Lower delivery roller - Shaft with 4 double rollers on it
- 245 RF9-1326-000CN Upper delivery roller - Shaft with 7 rollers on it

### Roller/Holder

- 246 RF5-0425-040CN Output roller & holder
- 247 RF5-0747-000CN Roller

### Sensor

- 248 RG5-0466-000CN Leading edge registration sensor and PC paper out sensor
- 249 RG5-0475-060CN Paper exit (Delivery) sensor assembly
- 250 WG8-0291-000CN Photo sensor

### Solenoid

- 251 RH7-5071-000CN Pickup solenoid (SL1) - For the paper cassette paper pickup (feed) roller
- 252 RH7-5075-000CN Pickup solenoid (SL2) - For multipurpose tray pickup roller

### Spring

- 253 RB1-2302-000CN Delivery roller spring (U-shaped)
- 254 RS5-2267-000CN Spring - For delivery roller holder in paper output

## Power Supplies and Parts

### Base

- 255 RB1-2118-000CN Base structure - For the power switch actuator assembly - Does NOT include the power switch  
NO LONGER SUPPLIED

### Button

- 256 RB1-2119-000CN Power switch button (Rocker)  
NO LONGER SUPPLIED

### Cable

- 257 RG5-0526-000CN Cable assembly - From DC controller to AC power supply

### Power Cord

- 8120-1351 Power cord (Mint Gray) - 17 AWG, 2.3m (7.5ft) long - Has straight (F) receptacle (For 240V in the UK, Hong Kong, Singapore, Malaysia, and Brunei)



## Power Supplies and Parts

### Power Cord

8120-1369	Power cord (Mint Gray) - 17 AWG, 2.0m (6.6ft) long - Has straight (F) receptacle (For 240V in Australia, New Zealand, and China)
8120-1378	Power cord (Jade Gray) - 18 AWG, 2.3m (7.5ft) long - Has straight (F) receptacle (For 120V in USA, Canada, Latin America, Korea, Taiwan, Thailand, Spain, Brazil, and Vietnam)
8120-1689	Power cord (Mint Gray) - 17 AWG, 2.0m (6.6ft) long - Has straight (F) receptacle (For 220V in Europe, Bangladesh, Indonesia, Pakistan, Burma, Sri Lanka, and Vietnam)
8120-2104	Power cord (Mint Gray) - 2.0m (6.6ft) long - Has straight (F) receptacle (For 220V in Switzerland)
8120-2956	Power cord (Mint Gray) - 2.0m (6.6ft) long - Has straight (F) receptacle (For 220V in Denmark)
8120-4211	Power cord (Mint Gray) - 17 AWG, 2.0m (6.6ft) long - Has straight (F) receptacle (For 240V in South Africa and India)

### Power Supply

265	C2037-69007	Power supply assembly - 220/240VAC REQUIRES RETURN OF DEFECTIVE PART
	RG5-2500-000CN	<i>New Part for C2037-69007</i>
266	RG5-0969-040CN	High voltage power supply assembly
267	RG5-2499-000CN	Power supply assembly - 100-120VAC input

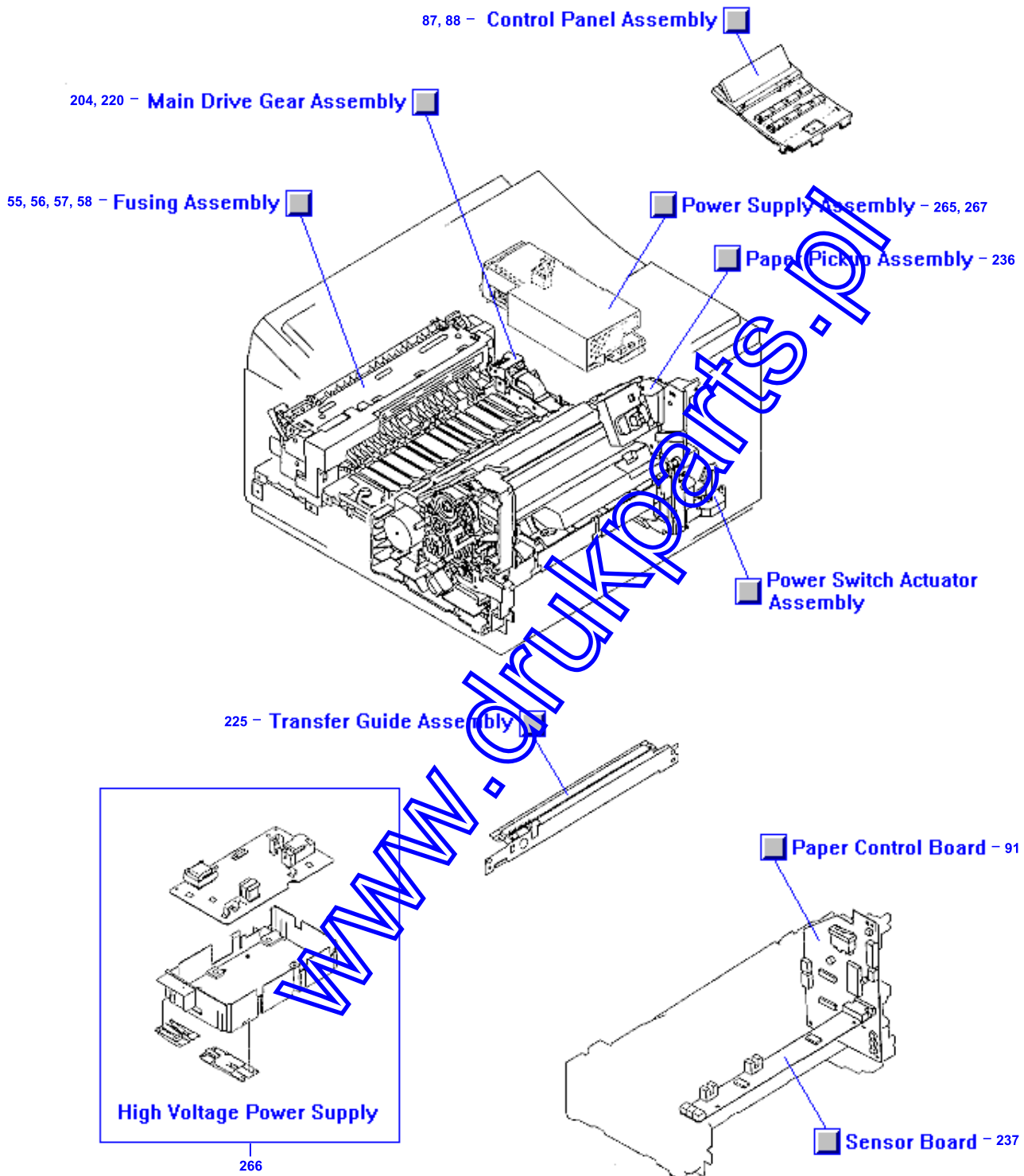
### Rod

268	RB1-2352-000CN	Power switch rod - From main switch assembly to power supply
-----	----------------	--

www.drukparts.pl

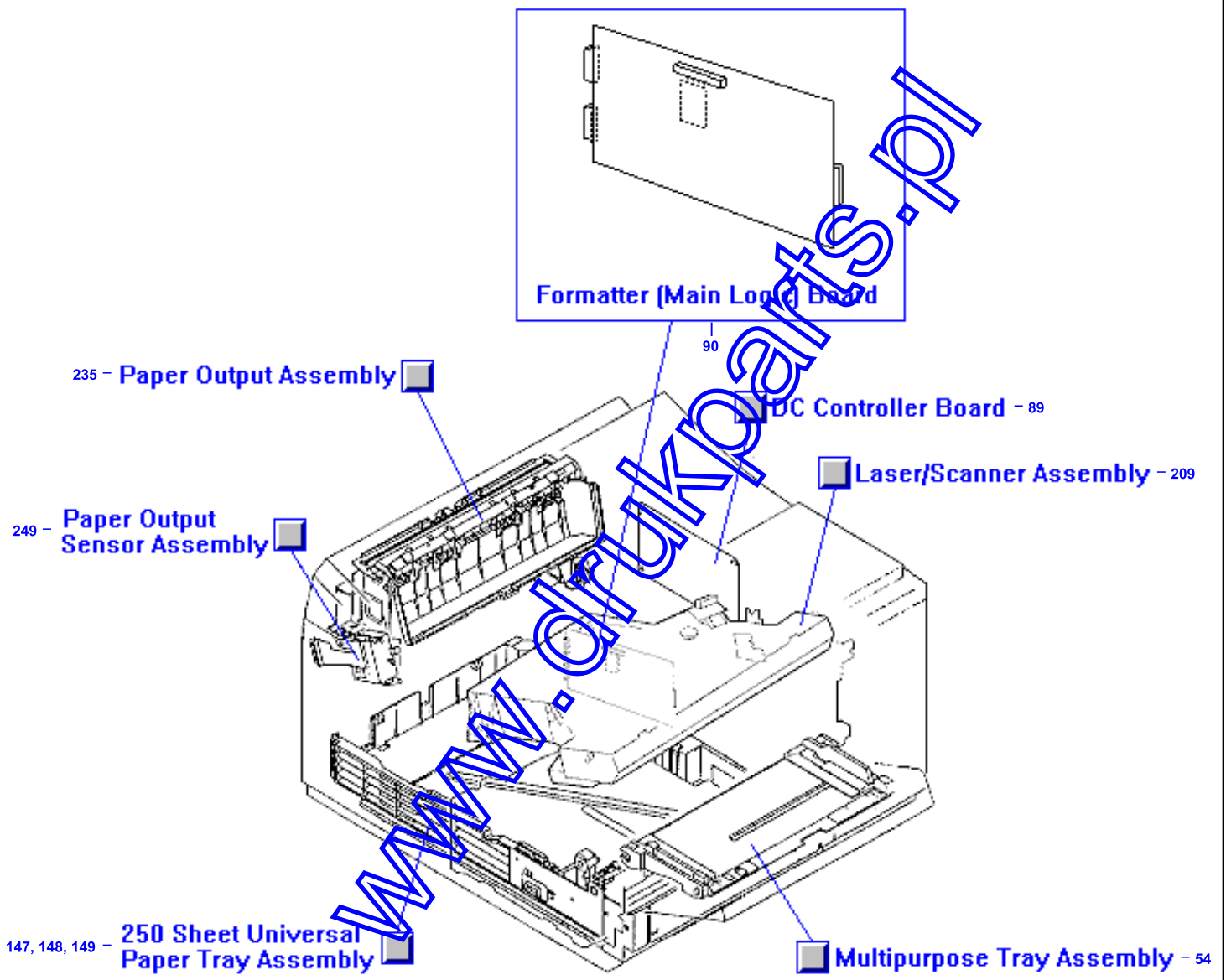
Main Assembly Locator (1 of 2)

2 of 2 →



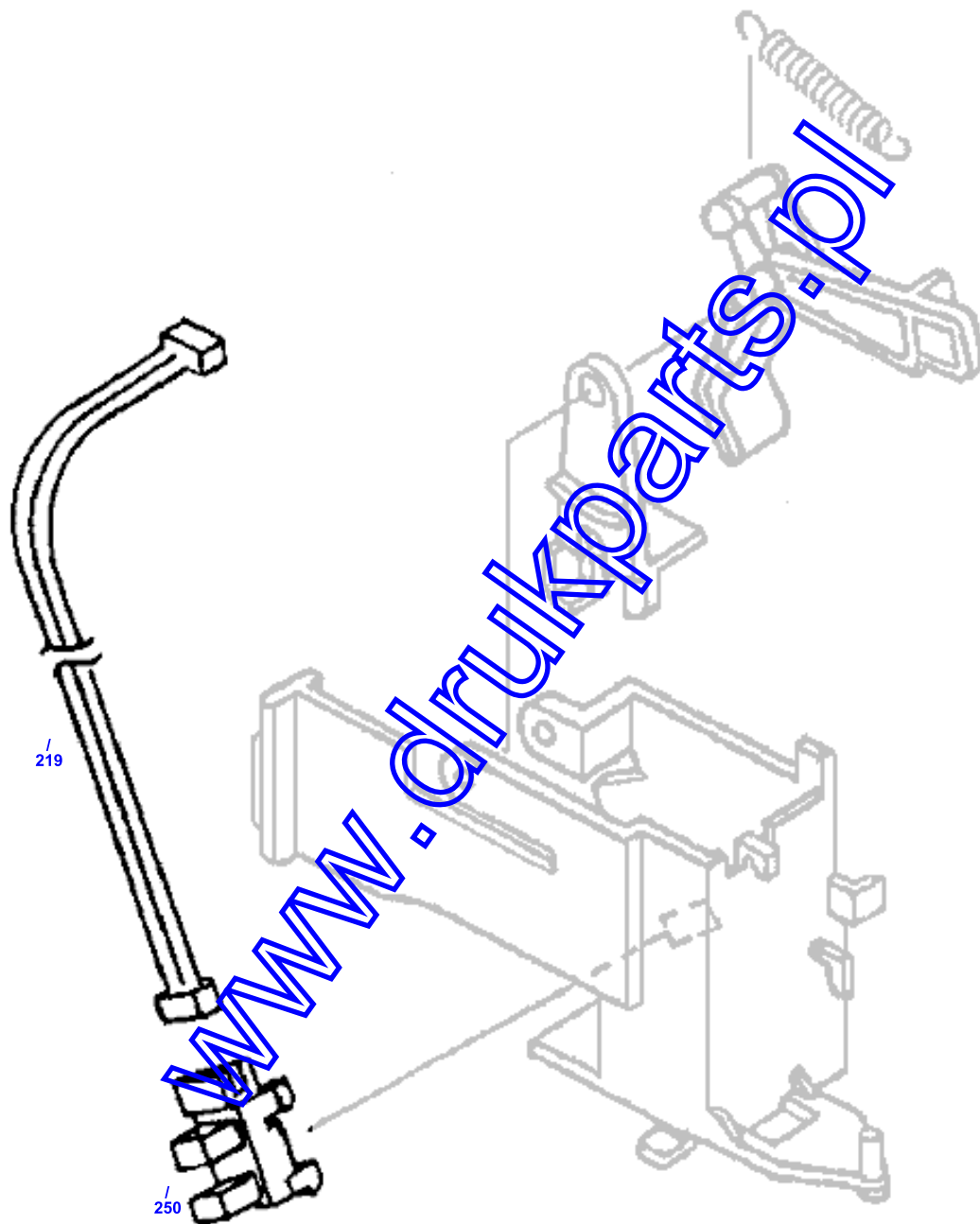
Main Assembly Locator (2 of 2)

← 1 of 2

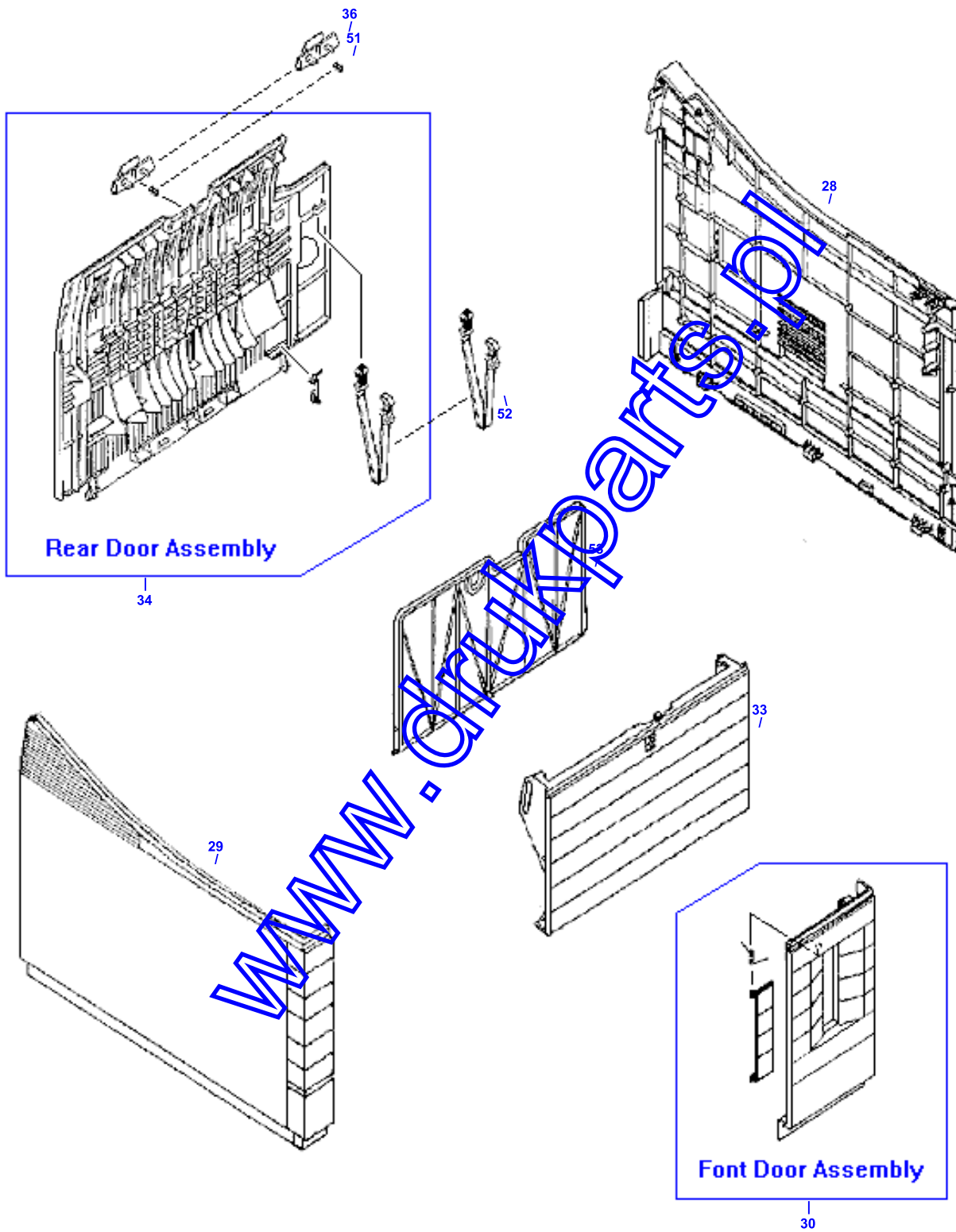


Delivery Sensor Assembly

249 -  Delivery Sensor Assembly



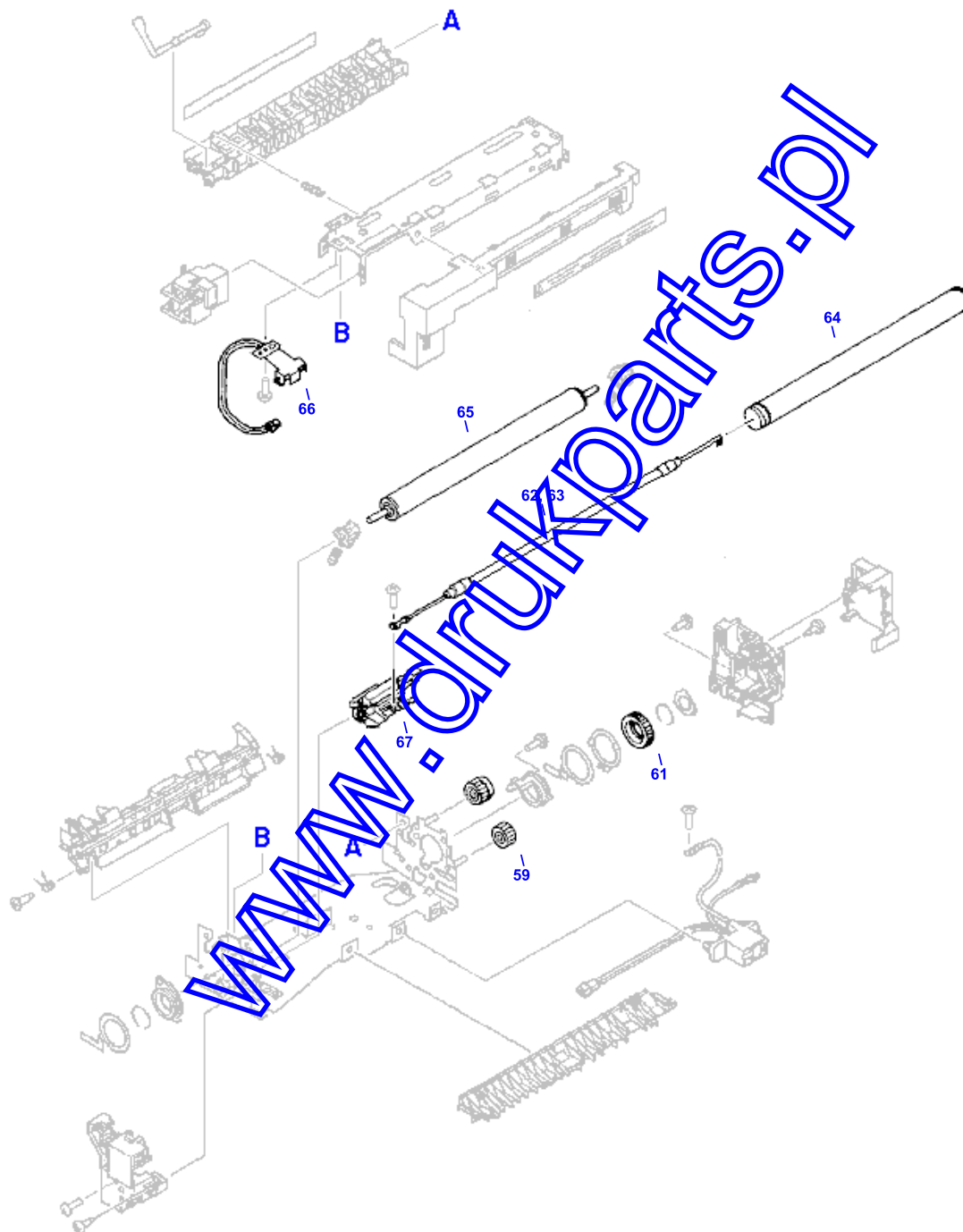
External Covers and Panels





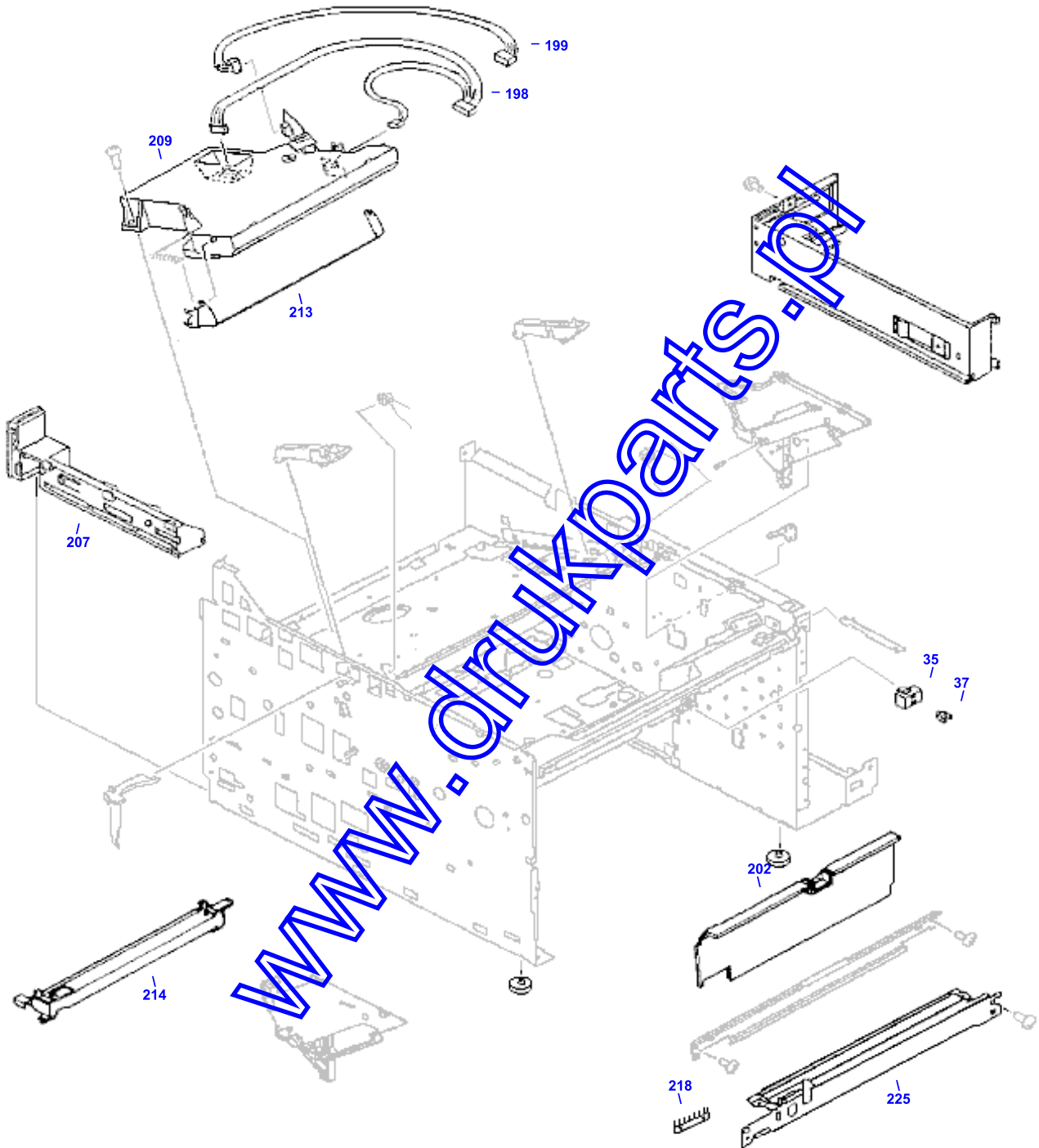
Fusing Assembly

55, 56, 57, 58 -  Fusing Assembly



Internal Components (1 of 4)

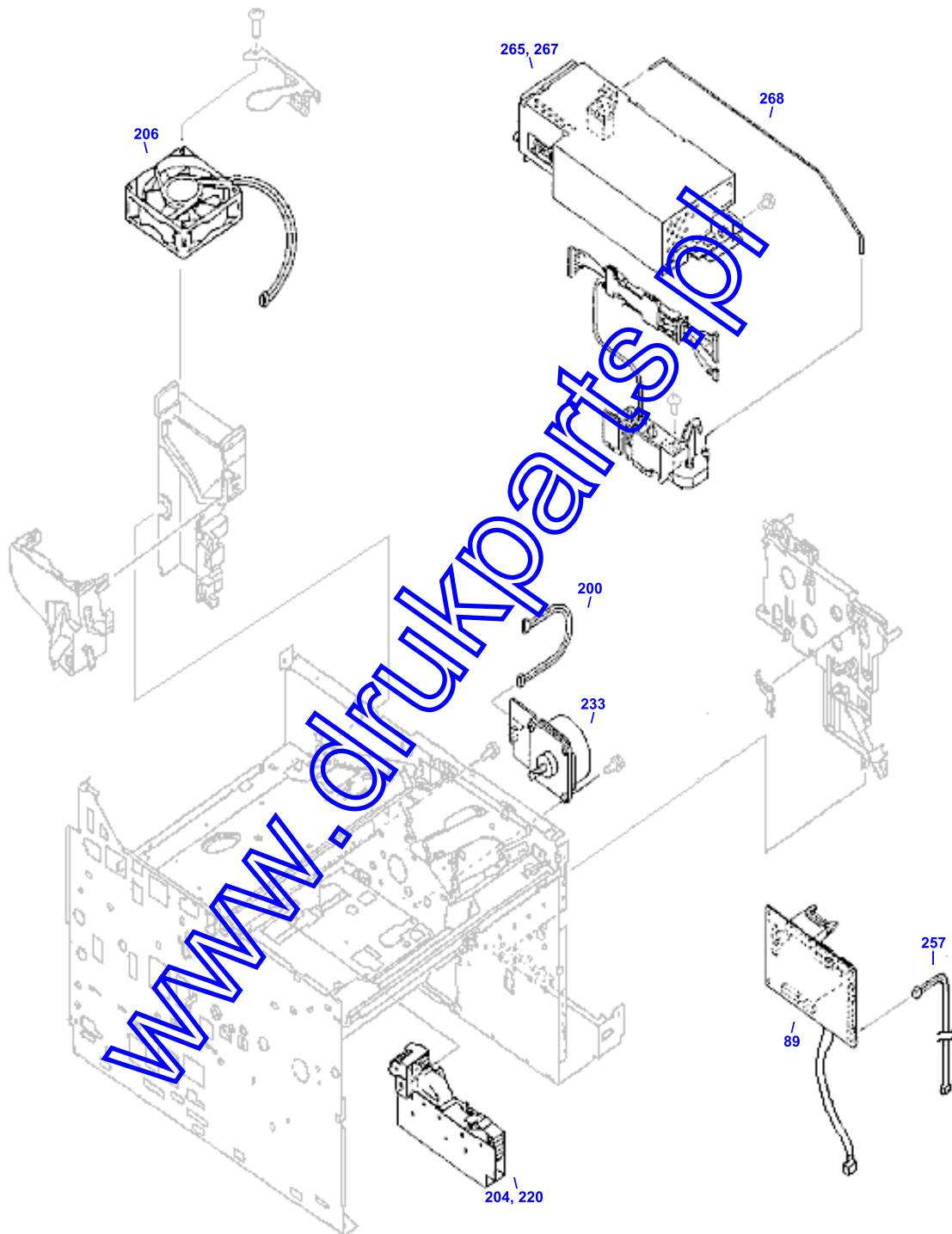
2 of 4 →



Internal Components (2 of 4)

← 1 of 4

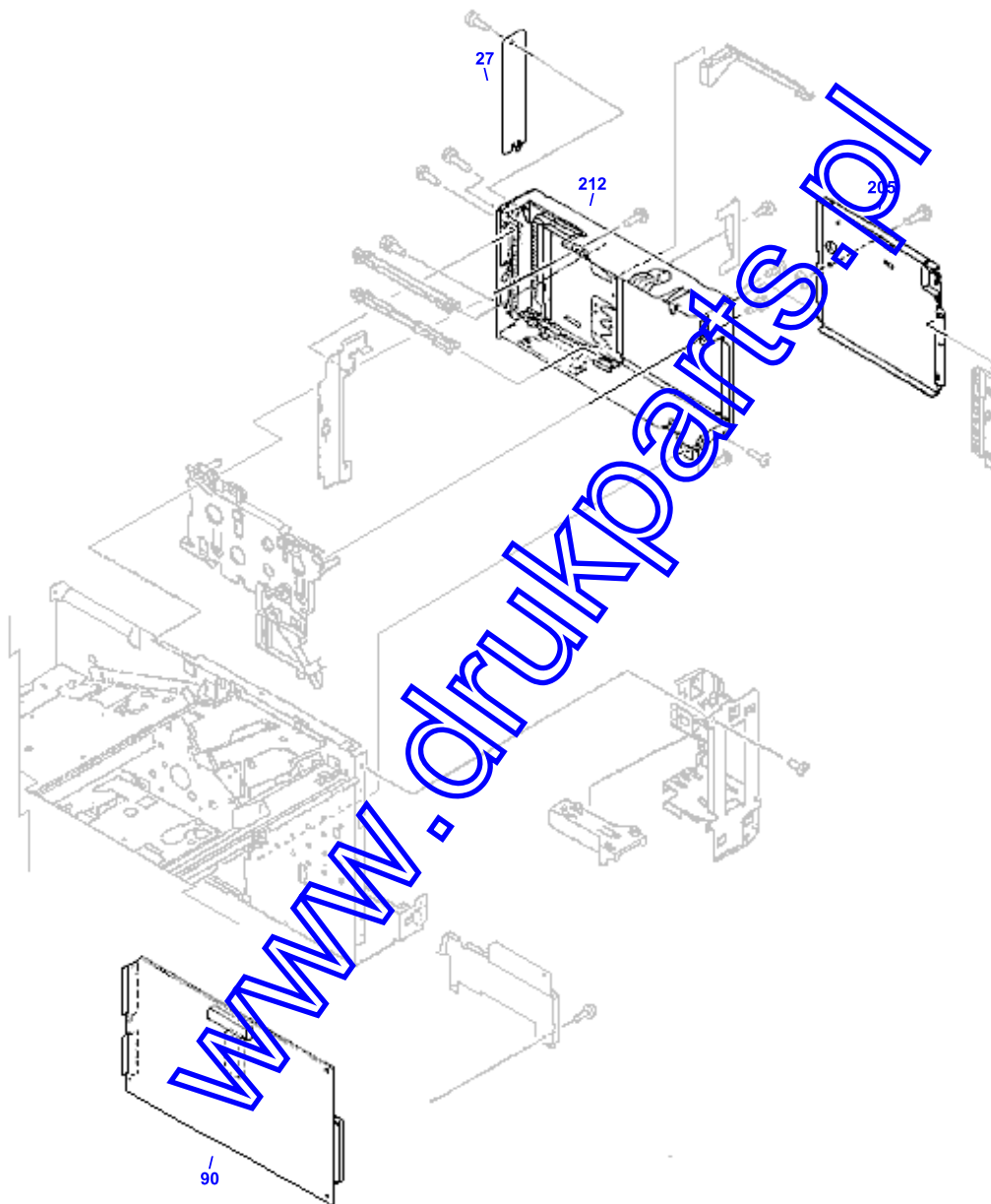
3 of 4 →



Internal Components (3 of 4)

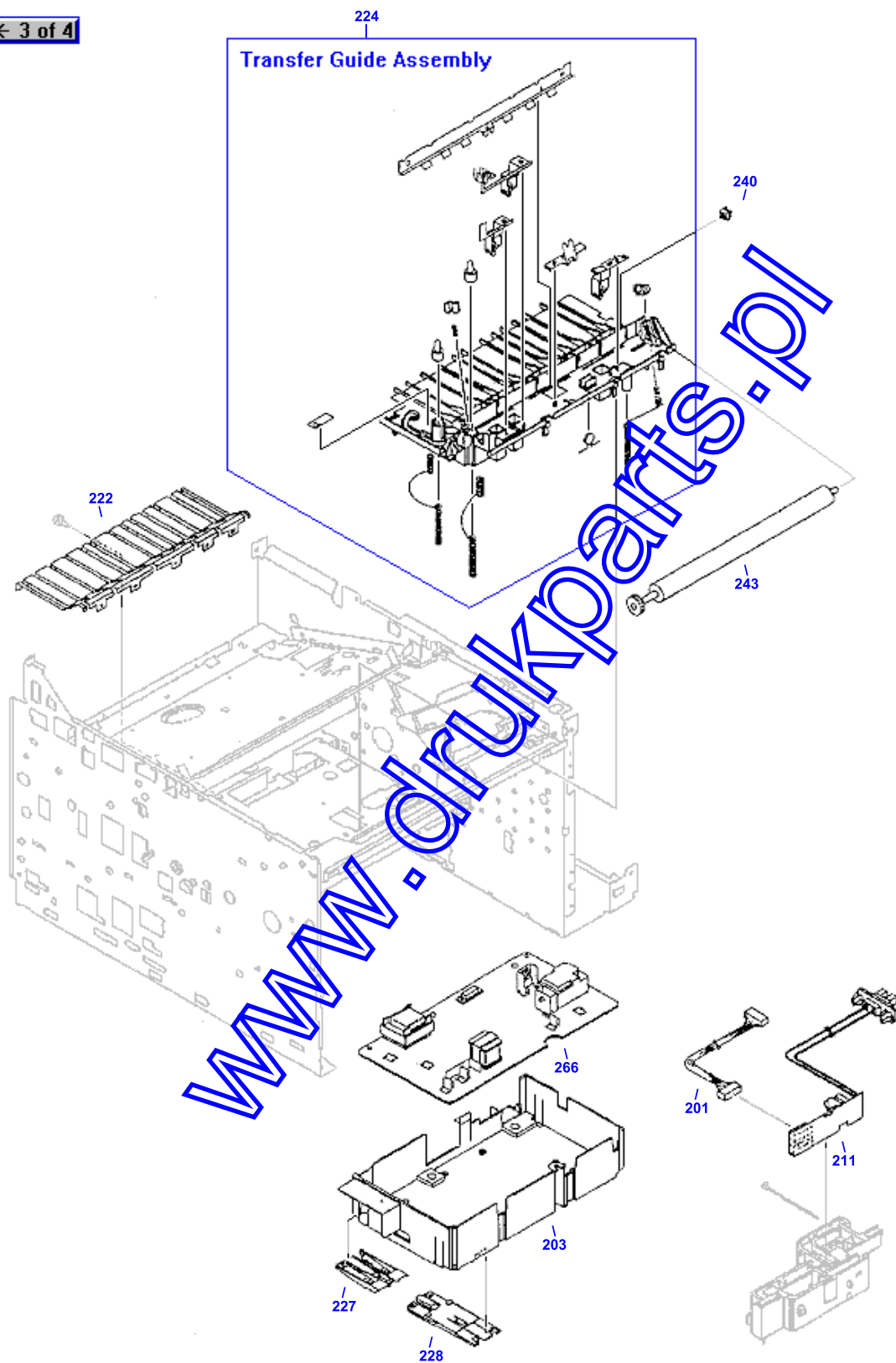
← 2 of 4

4 of 4 →



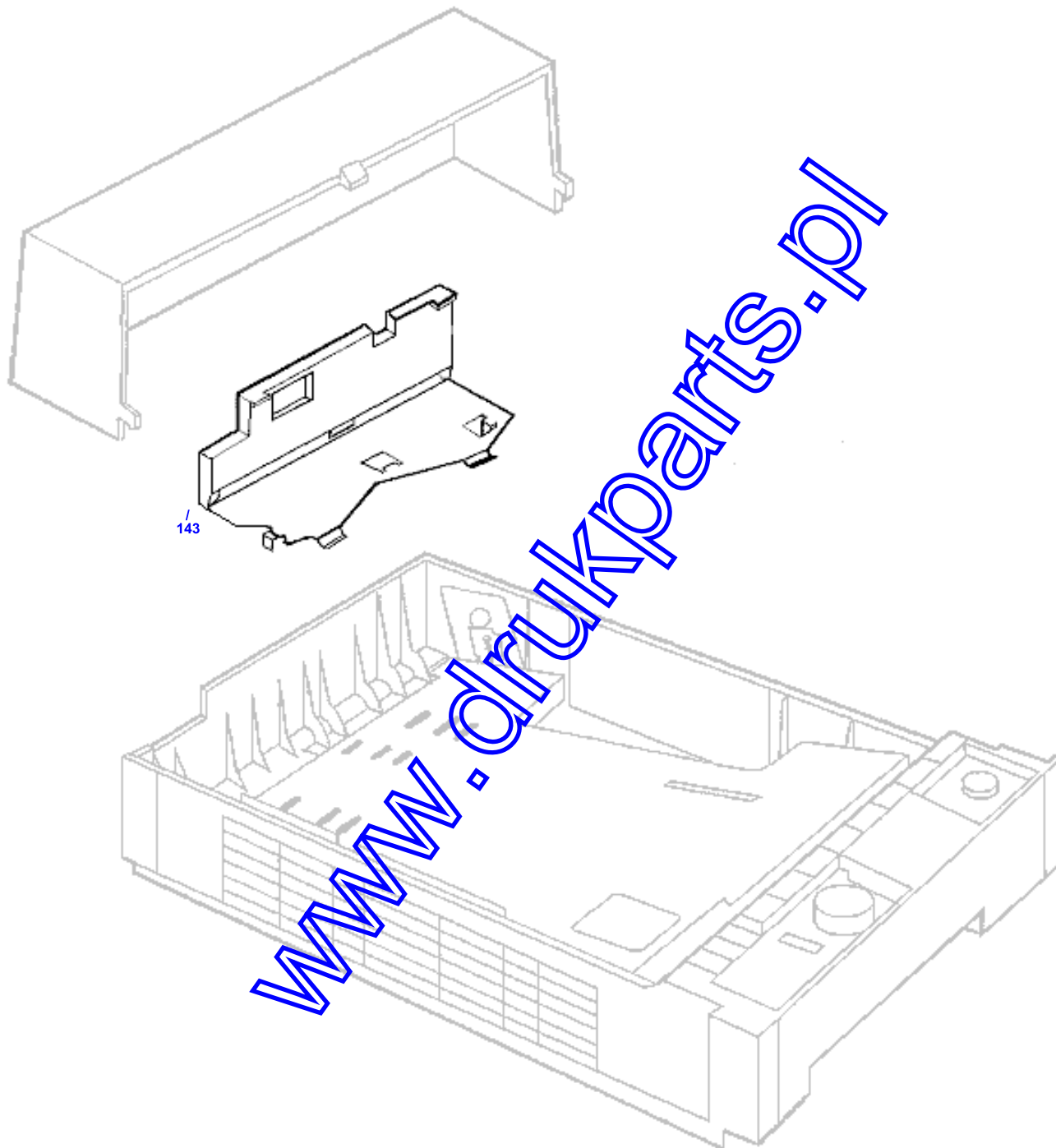
Internal Components (4 of 4)

← 3 of 4

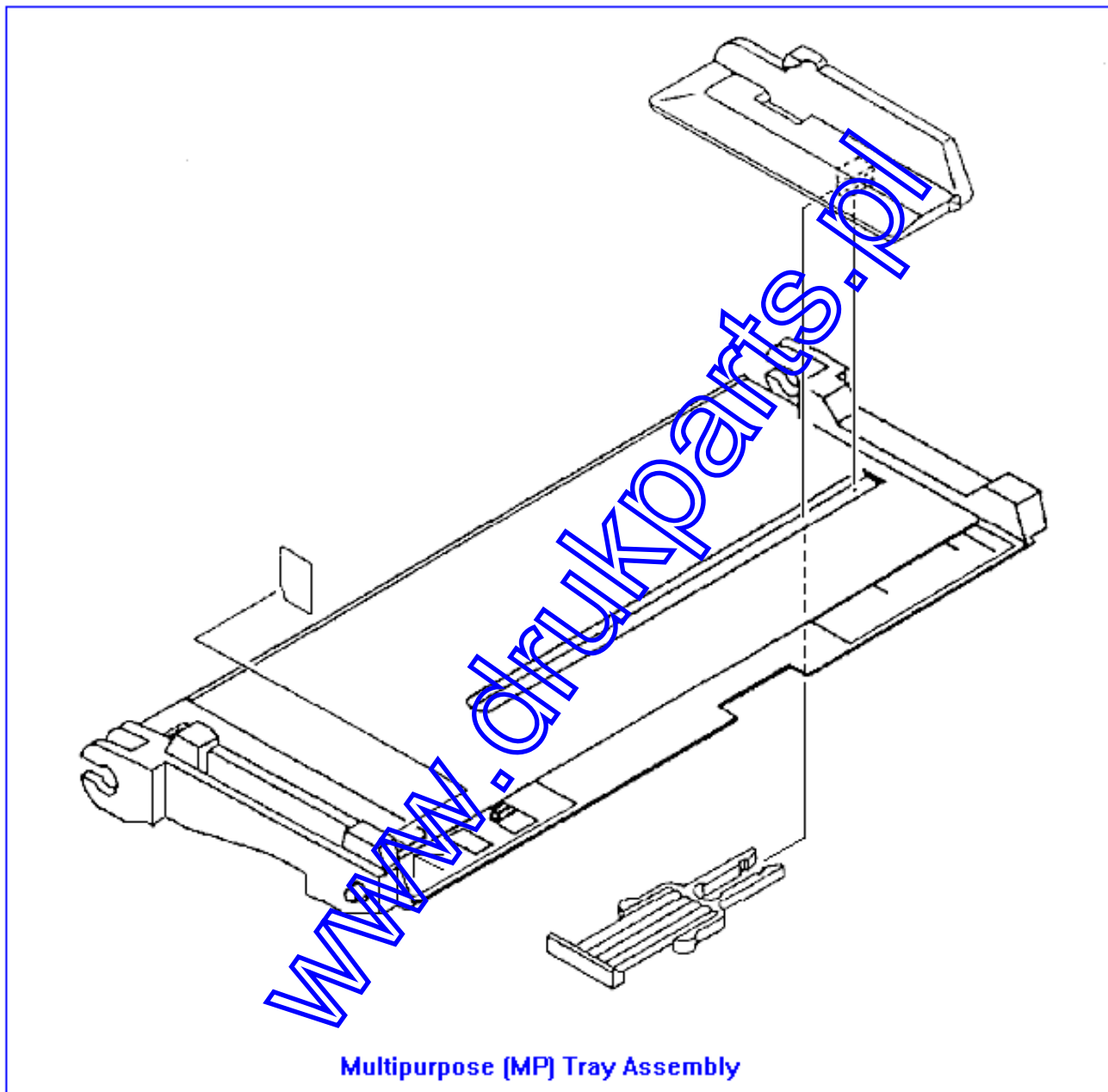


Lower Cassette Tray Assembly

145, 146 -  Lower Cassette Tray Assembly

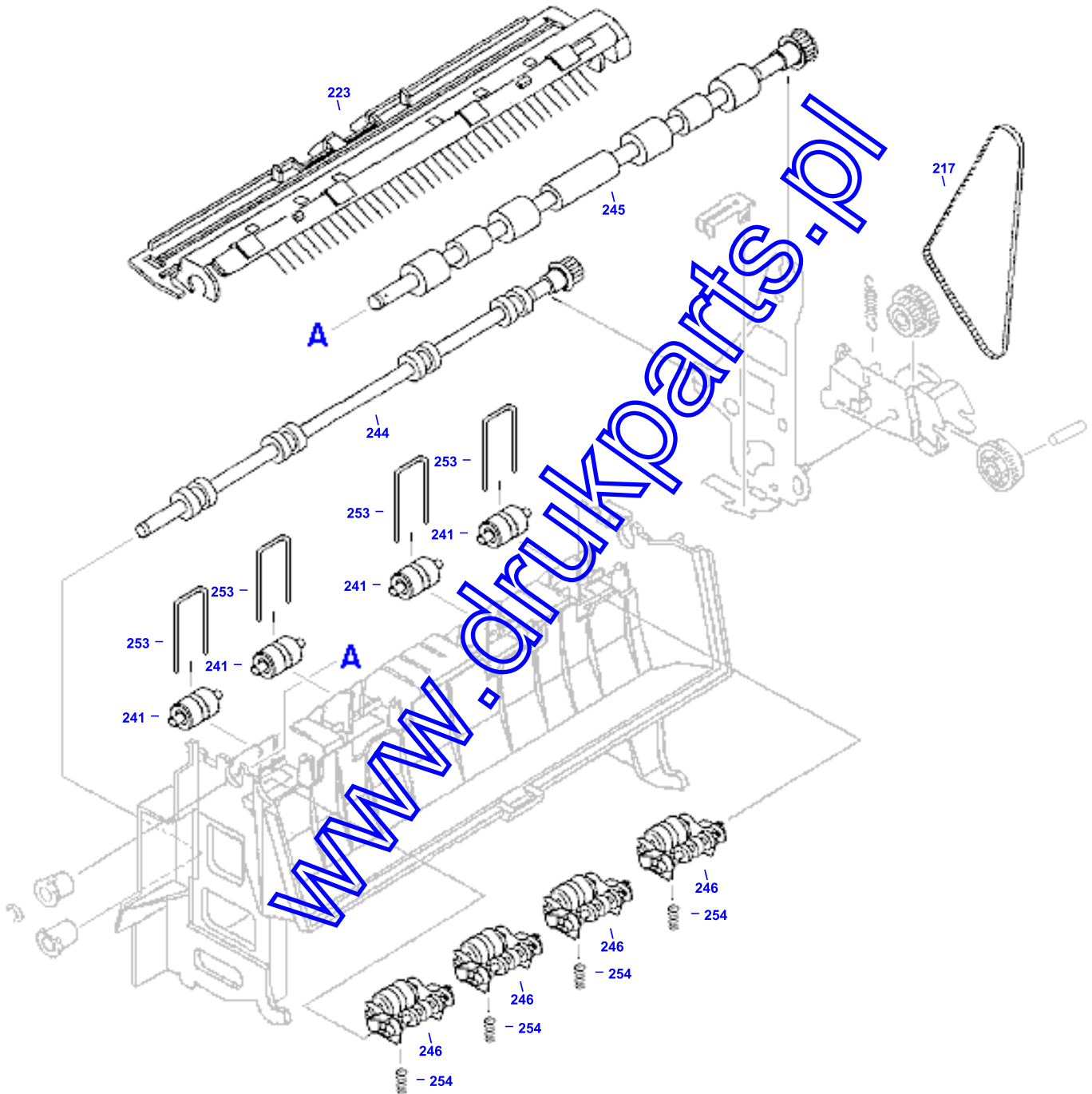


Multipurpose (MP) Tray Assembly



Paper Output Assembly

235 -  Paper Output Assembly

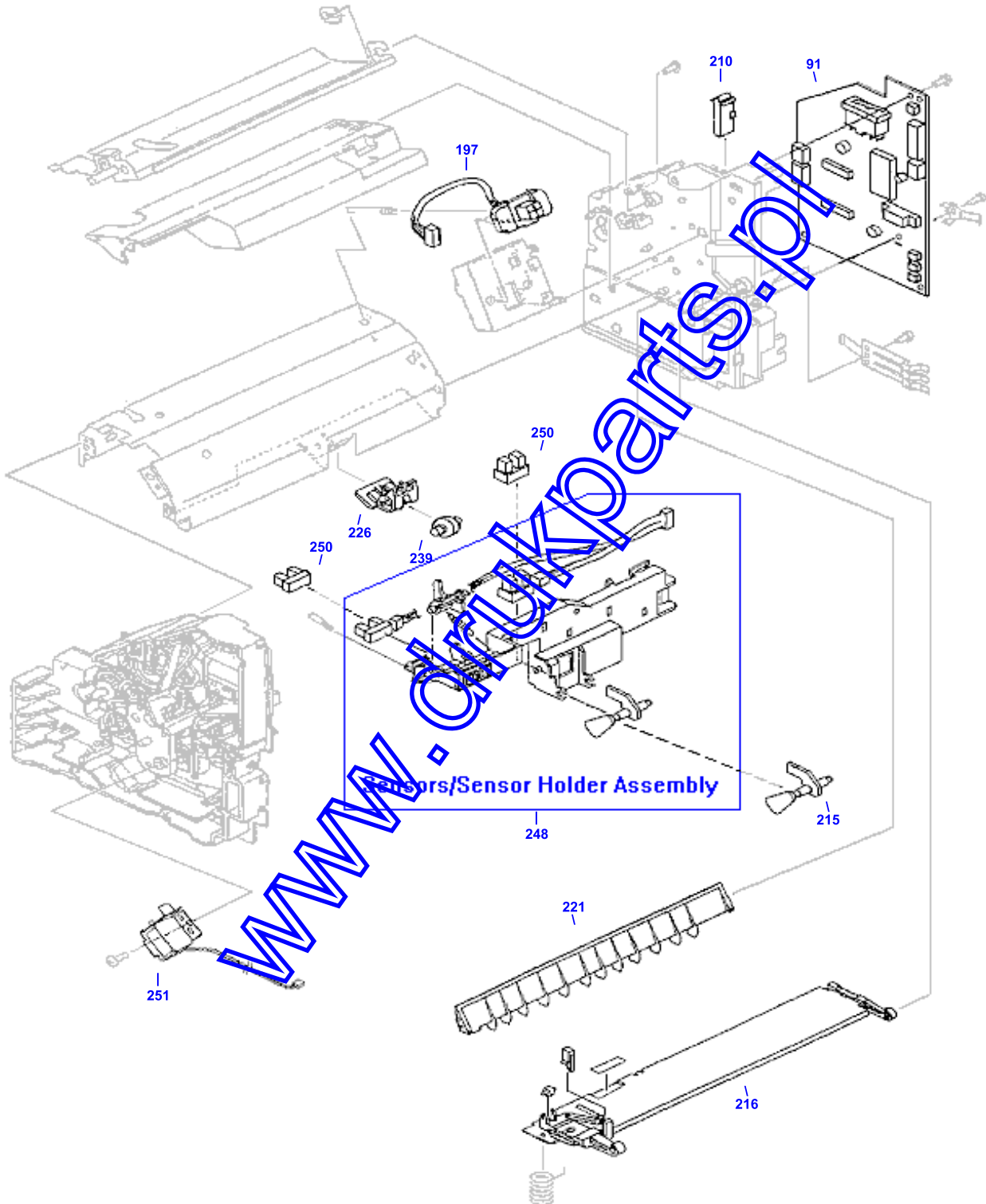




Paper Pickup Assembly (1 of 2)

236 -  Paper Pickup Assembly

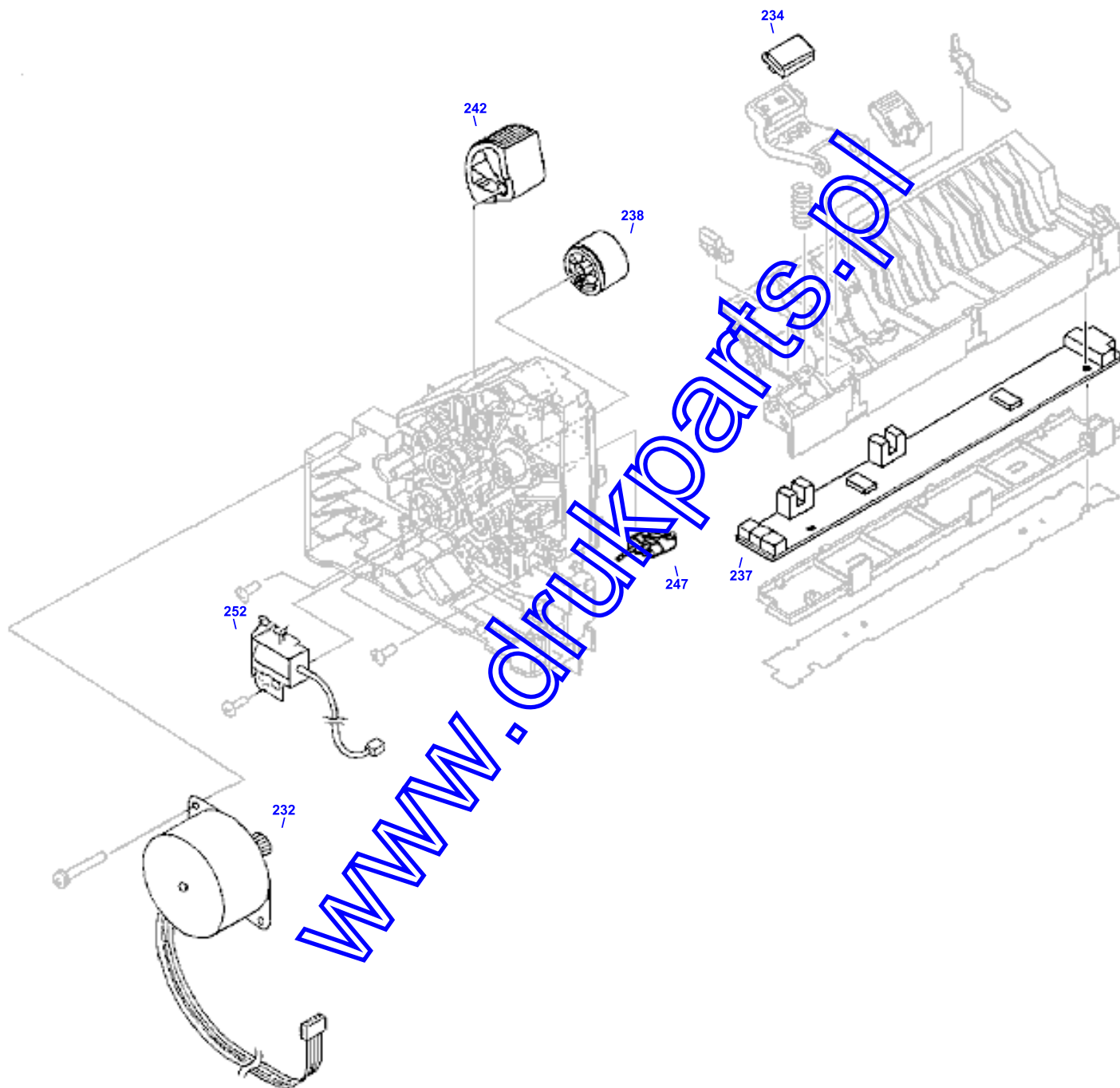
2 of 2 →



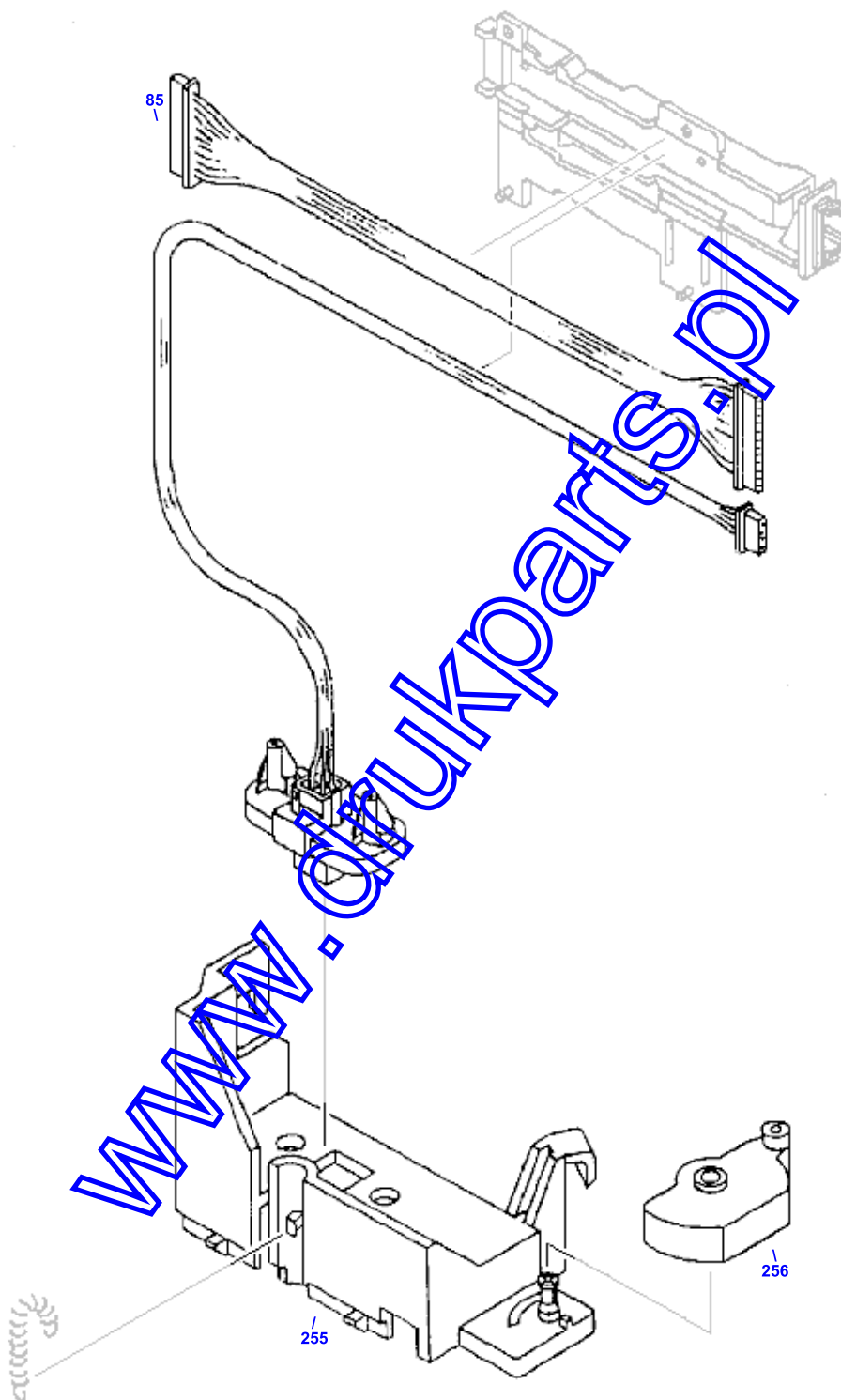
Paper Pickup Assembly (2 of 2)

← 1 of 2

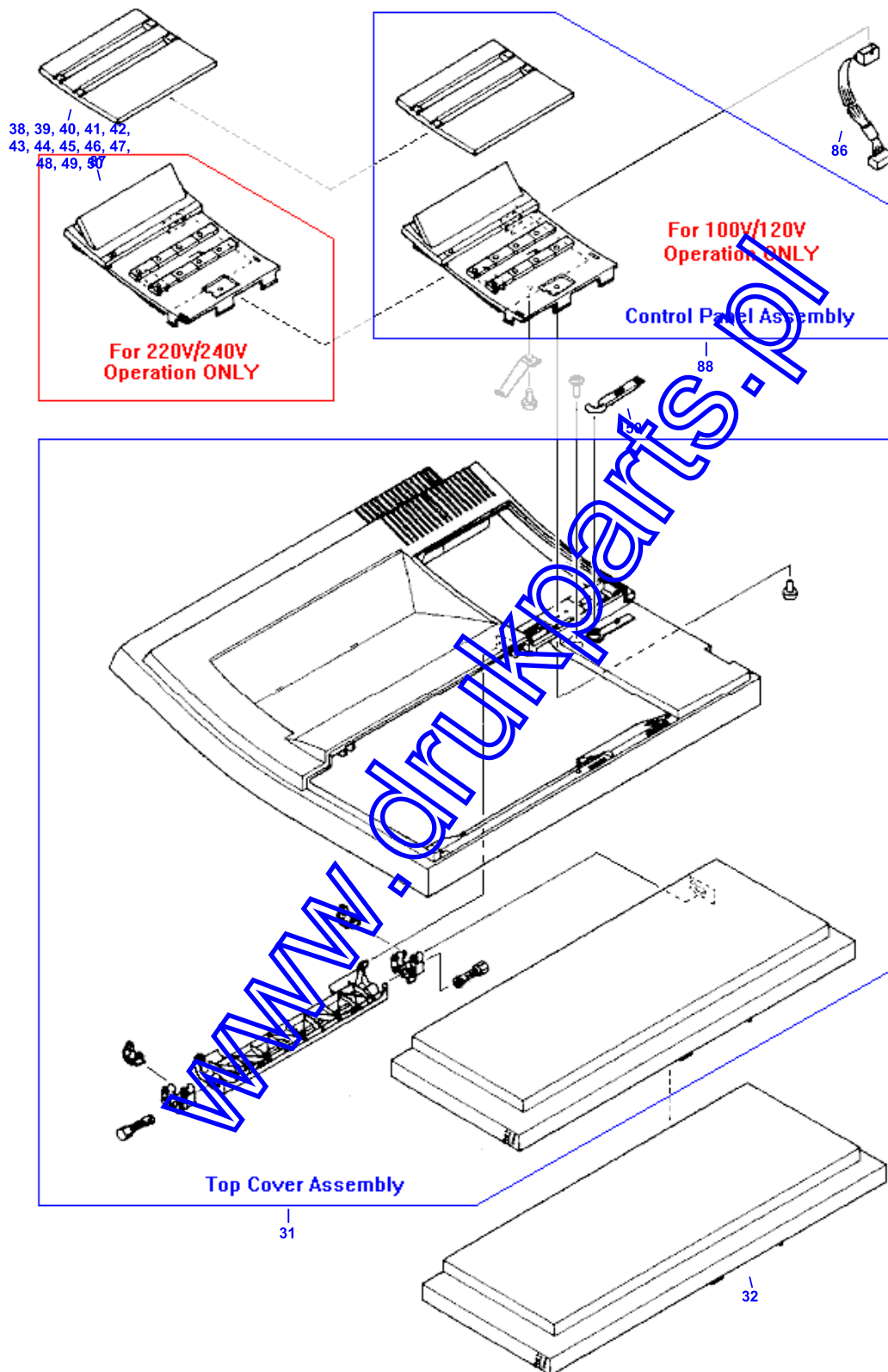
236 - Paper Pickup Assembly



Power Switch Actuator Assembly

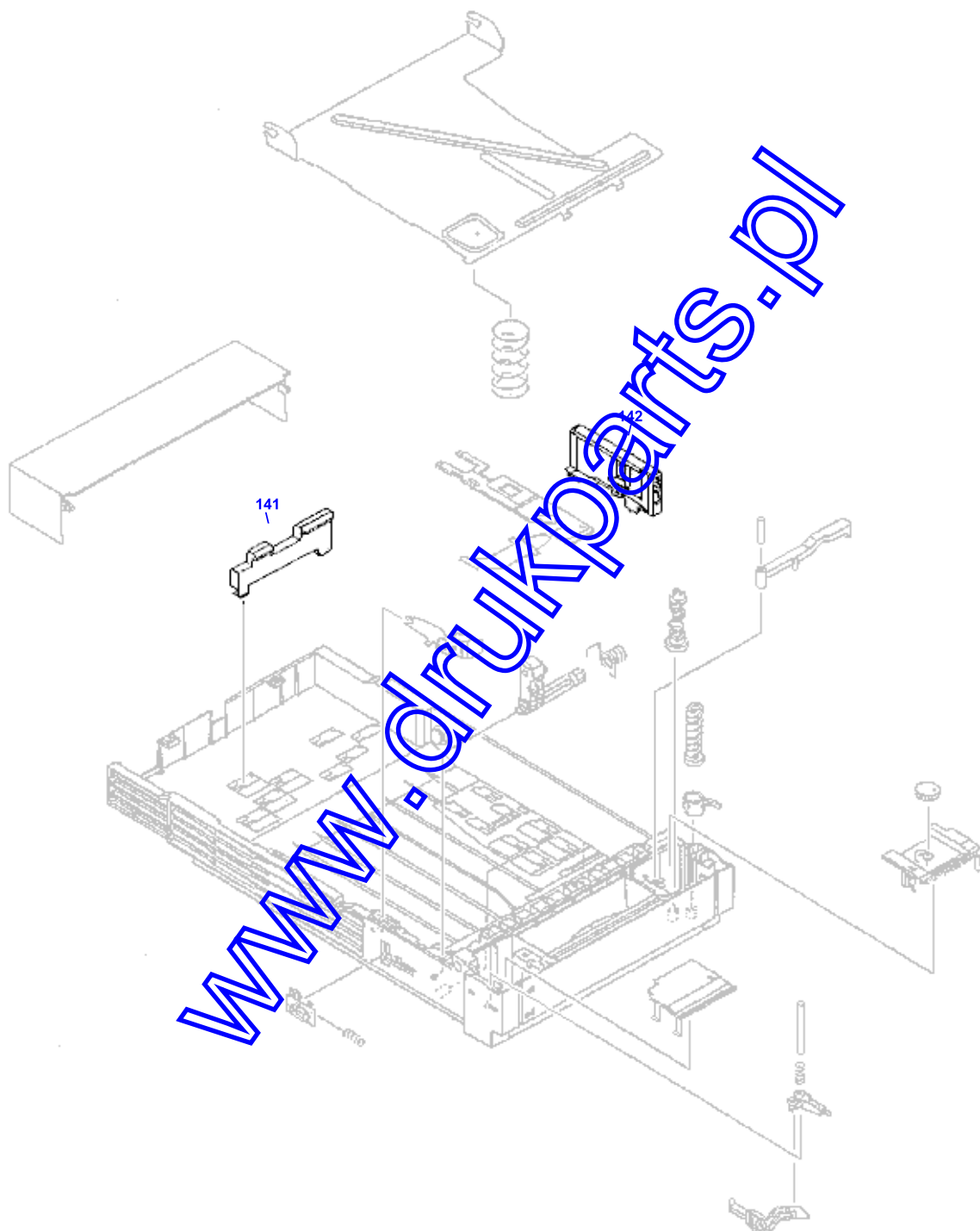


Top Cover Assembly



Universal Paper Tray

147, 148, 149 -  Universal Paper Tray





**HP Parts Reference Guide**

<http://www.hp.com/go/parts>

**HP PartSurfer**

<http://partsurfer.hp.com>

**HP Parts Ordering Information**

<http://www.hp.com/go/hpparts>

**HP Parts Questions/Comments**

<http://partsurfer.hp.com/contactus.htm>

[www.drukparts.pl](http://www.drukparts.pl)