



## 500 Sheet Tray

### Bushing

1 RB1-8946-000CN Separation roller bushing

### Clutch

2 RB1-8974-000CN Separation roller clutch - Torque limiter

### Coupler

3 RB1-8945-000CN Separation roller/gear coupler

### Lifter

4 RB1-8961-000CN Arm lifter - White plastic arm that holds top left side metal corner piece up when loading paper in tray

5 RB1-8962-000CN Arm lifter - White plastic arm that holds top right side metal corner piece up when loading paper in tray

### Panel

6 RB1-8947-000CN Separation roller access panel

### Roller

7 RF5-3114-000CN Feed roller

### Spindle

8 RF5-2489-000CN Separation roller mounting assembly

### Spring

9 RS5-2622-020CN Separation roller tension spring

## Accessories

### Cartridge

C8061X Black toner (EP) cartridge - With 'Micro-Fine' toner - Has maximum capacity toner (prints approximately 10,000 pages)

### IR Assembly

C4103A HP FIR pod - Fast Infrared Connection pod

### Kit

C8057-67903 Maintenance kit (120V) - Includes fusing assembly three separation rollers, transfer roller, three paper feed rollers, pickup roller and instruction manual

C8057-69003 Maintenance kit (120V) - Includes fusing assembly three separation rollers, transfer roller, three paper feed rollers, pickup roller and instruction manual  
REQUIRES RETURN OF DEFECTIVE PART

*C8057-67903 New Part for C8057-69003*

C8057A Maintenance kit (120V) - Includes fusing assembly three separation rollers, transfer roller, three paper feed rollers, pickup roller and instruction manual

C8058A Maintenance kit (220V) - Includes fusing assembly three separation rollers, transfer roller, three paper feed rollers, pickup roller and instruction manual

H3970-60001 Roller kit - LaserJet 4100 series paper path roller kit - Kit contains 4 feed/separation rollers, 8 cassette pickup D-rollers, and 1 MP tray pickup roller. Installation of kit requires service manual

## C8055A 500 Sheet Feeder

### Arm

17 RB1-8879-000CN Paper tray sensing arm

### Button

18 RB2-3497-000CN Release lever button

### Cable

19 RG5-3711-000CN Optical sensor cable

20 RG5-3822-000CN Paper feeder cable

### Clip

21 RB1-9397-000CN Grounding strap



## C8055A 500 Sheet Feeder

### Connector

22 RG5-3712-000CN Lower tray connector and cable

### Cover

23 RB2-4836-000CN Rear tray cover

### Drive Assembly

24 RG5-5293-000CN Optional 500 sheet paper pickup drive assembly

### Frame

25 RG5-2689-030CN Upper frame assembly

26 RG5-5291-000CN Right side frame assembly

27 RG5-5292-000CN Left side frame assembly

### Guide

28 RB1-8914-000CN Lower paper guide

29 RB1-8924-000CN Optional lower cassette support guide

30 RB1-9385-000CN Optional lower cassette support guide

### Hook

31 RB1-2190-000CN Pick-up roller spring hook

### Lever

32 RB2-2412-000CN Release lever - Actuated by release button

### PC Board

33 RG5-5539-000CN Lower tray logic PCA - With tray size switches

### Roller

34 RB1-8957-000CN Paper pick-up roller - 'D' roller (Sold individually)

35 RF5-3114-000CN Feed roller

### Sensor

36 WG8-5362-000CN Optical sensor

### Spring

37 RS5-2632-000CN Tension spring - Provides tension for pickup roller

38 RS5-2658-000CN Release lever spring - Provides tension for tray release lever

## Duplexer Components

### Cover

39 RB1-9045-000CN Duplexer rear cover panel

40 RB2-4766-000CN Duplexer access top cover

41 RB2-4768-000CN Right side duplexer cover

42 RF5-3092-000CN Left side duplexer cover - With connector

### Fan

43 RH7-1361-000CN Duplexer fan - 24VDC

## Electronic Accessories

### Cable (Interface)

C2951A IEEE-1284 Bi-Tronics parallel cable - DB-25 (M) connector (type A) to 36 pin Centronics (M) connector (type B) - 3.0m (9.8ft) long

### Drive

J6054-61001 5GB EIO hard drive - (J6054A)

J6054-61031 *New Part for J6054-61001*

www.druckparts.pl



**Electronic Accessories**

**Duplexer**

- C8054-69001 Duplexer assembly - For 2 sided printing
- C8054A Optional duplexer assembly - For 2 sided printing

**Envelope Feeder**

- C8053-69002 Power envelope feeder - Holds 75 monarch, C5, DL, B5, or COM10 envelopes
- C8053A Power envelope feeder - Holds 75 monarch, C5, DL, B5, or COM10 envelopes
- C8053B *New Part for C8053A*

**Interface (Product)**

- J3110A Ethernet 10Base-T (RJ-45) EIO network internal print server PC board
- J3111A Ethernet 10Base-T/10Base2 and LocalTalk (RJ-45, BNC, LocalTalk) EIO network PCA
- J4135A JetDirect connectivity card - Has one USB port, one serial (DB9) port and one LocalTalk port - Plugs in the EIO slot on selected DesignJet and LaserJet printers
- J4169A JetDirect 610N internal print server (10Base-T and 100Base-TX) LAN interface board - Plugs into peripheral EIO slot - Has a RJ-45 connector - Comes with software on CD-ROM and manual
- J6057A JetDirect 615N internal print server (10Base-T and 100Base-TX) LAN interface board - Plugs into peripheral EIO slot - Has a RJ-45 connector - Comes with software on CD-ROM and manual
- J6057AR JetDirect 615N internal print server (10Base-T and 100Base-TX) LAN interface board - Plugs into peripheral EIO slot - Has a RJ-45 connector - Comes with software on CD-ROM and manual

**Memory (DIMM)**

- C7842-67901 8MB, 100-pin SDRAM DIMM memory module
- C7843-67901 16MB, 100-pin SDRAM DIMM memory module
- C7845-67901 32MB, 100-pin SDRAM DIMM memory module
- C7846-67901 64MB SDRAM - 100MHz synchronous DRAM - DIMM package
- Q1887-67901 *New Part for C7846-67901*

**Memory (Product)**

- C4140A 4MB, 100-pin SDRAM DIMM memory module  
NO LONGER SUPPLIED
- C7842A *New Part for C4140A*
- C4286A 2MB flash DIMM memory - Font storage device
- C4292A 8MB Traditional Chinese MROM DIMM - For LaserJet 4000 and 5100 series printers
- C4293A 8MB Simplified Chinese MROM DIMM - For LaserJet 4000 and 5100 series printers
- C7842A 8MB, 100-pin SDRAM DIMM memory module
- C7843A 16MB, 100-pin SDRAM DIMM memory module
- C7845A 32MB, 100-pin SDRAM DIMM memory module
- C9121A 128MB, 100MHz synchronous SDRAM DIMM memory module
- Q1887A 64MB, 100-pin synchronous SDRAM DIMM memory module

**PC Board (Interface)**

- J4169-69001 JetDirect 610N internal print server 10Base-T and 100Base-T LAN interface board - Has one RJ-45 connector
- J6057-69001 *New Part for J4169-69001*

**Envelope Feeder**

**Tray**

- 70 RB2-4734-020CN Envelope feeder input tray

**Weight**

- 71 RG5-2734-000CN Envelope weight assembly - Pivot mount and tension weight



## External Case Parts

### Button

72 RB1-8849-030CN Power switch button

### Clip

73 RB1-8860-000CN Right side panel retainer clip

### Cover

74 RB1-8858-000CN Formatter board cover panel

75 RB2-4827-000CN Duplexer cover

76 RG5-2664-070CN Right front cover assembly

77 RG5-5098-000CN Left side cover assembly - Includes panel retainer clip

### Tray

78 RG5-5097-000CN Drop down rear output tray - Includes pull-out extension

## Fusing Assembly Parts

### Fusing Assembly

79 C8049-69013 Fusing assembly - 110 volts  
REQUIRES RETURN OF DEFECTIVE PART

*RG5-5063-340CN New Part for C8049-69013*

80 C8049-69014 Fusing assembly - 220 volts  
REQUIRES RETURN OF DEFECTIVE PART

*RG5-5064-340CN New Part for C8049-69014*

RG5-5063-340CN Fusing assembly - 110 volts

### Heating Roller

RG5-5068-090CN Fusing roller - Heating element and film sleeve - 110V

RG5-5069-090CN Fusing roller - Heating element and film sleeve - 220V

### Roller

RB2-4927-020CN Fuser assembly delivery roller

RB2-4937-000CN Fusing assembly pressure roller

## Internal Components

### Actuator

86 RB1-8756-000CN Toner cartridge drive rod

87 RB1-8851-000CN Power switch actuator rod

### Antenna

88 RG5-5273-000CN Antenna assembly

### Arm

89 RB1-8700-000CN Laser shutter arm

### Bracket

90 RB2-5008-000CN Cartridge memory antenna mounting bracket (support plate)

### Cable

91 RG5-3711-000CN Optical sensor cable

92 RG5-5341-000CN Tray 1 sensor cable

93 RG5-5343-000CN Paper feed and tray 1 pickup solenoid cable

94 RG5-5344-000CN Envelope feeder cable with connector

95 RG5-5345-000CN Top cover switch cable

96 RG5-5346-000CN Main motor cable

97 RG5-5348-000CN Cable assembly - A 7 pin (F) connector to both a 27.9cm (11 inch) cable with a 4 pin (F) connector and a 36.8cm (14.5 inch) cable with a 3 pin (F) connector

www.druckparts.pl



## Internal Components

### Cable

98	RG5-5349-000CN	Cable assembly - 13 pin (F) connector to 12 pin (F) connector - 30.8cm (12.1 inches) long
99	RG5-5350-000CN	Laser/scanner assembly laser cable
100	RG5-5351-000CN	Formatter assembly cable
101	RG5-5357-000CN	Feed/registration sensor assembly cable
102	RG5-5358-000CN	Duplexer cable
103	RG5-5470-000CN	Cable assembly - Has two 10 pin (F) connectors - 33.0cm (13 inches) long
104	RG5-5471-000CN	Antenna cable

### Clip

105	RB2-4969-000CN	Registration assembly grounding clip
106	RB2-4986-000CN	Fan mounting clip

### Connector

107	RG5-3712-000CN	Lower tray connector and cable
-----	----------------	--------------------------------

### Cover

108	RG5-2669-050CN	Feeder cover left side
	RG5-5274-000CN	Front right side inner cover assembly

### Drive Assembly

110	RG5-5087-000CN	Print drive gear assembly
111	RG5-5095-000CN	Delivery drive assembly

### Fan

112	RH7-1442-000CN	Main cooling fan
-----	----------------	------------------

### Frame

113	RG5-5072-000CN	Tray 2 upper frame assembly
114	RG5-5278-000CN	Right side tray 2 frame assembly with paper size PCB

### Gear Assembly

115	RG5-3723-000CN	MP tray coupler gear and mounting plate
-----	----------------	---

### Guide

116	RB1-8704-030CN	Bottom cable guide
-----	----------------	--------------------

### Hardware

117	RB2-5013-000CN	Screw - M4 x 8.3mm
-----	----------------	--------------------

### Holder

118	RB2-4992-000CN	Formatter board cable holder - Right side
-----	----------------	---

### Insulator

	RB2-4975-000CN	Insulation sheet - Insulator sheet for controller board
--	----------------	---

### Laser/Scanner

120	RB1-8699-000CN	Laser/scanner spring
-----	----------------	----------------------

### Lever Assembly

121	RB2-4837-000CN	Tray size sensing lever assembly
-----	----------------	----------------------------------

### Motor

122	RH7-1504-000CN	Main motor assembly
-----	----------------	---------------------

### Mount

123	RB2-4996-000CN	Thermistor mount for TH3
-----	----------------	--------------------------

www.drukparts.pl



## Internal Components

### Paper Pick-Up

124 RG5-5084-040CN Tray 1 paper pickup assembly

### Plate

125 RB2-5002-000CN Continuity plate

### Sensor

126 WG8-5362-000CN Optical sensor

### Spring

127 RB1-8702-000CN Laser shutter spring - Provides tension for laser shutter

128 RB2-4122-000CN Tray 1 hinge spring

129 RB2-4997-020CN Toner cartridge grounding spring

### Support

130 RB2-5003-000CN Top cover left side support

### Thermistor

131 RH7-7116-000CN Environment temperature detection thermistor - Detects ambient air temperature to determine length of time for fuser warm up.

### Tray

132 RG5-2656-080CN Paper input tray (Tray 1) - Multi-Purpose tray assembly

## LaserJet Electronics

### Laser/Scanner

133 C8049-69005 Laser/scanner assembly  
REQUIRES RETURN OF DEFECTIVE PART

*RG5-5100-080CN New Part for C8049-69005*

### PC Board

C4169-69001 Formatter board assembly  
REQUIRES RETURN OF DEFECTIVE PART

*C4169-67901 New Part for C4169-69001*

### Power Cord

8120-8381 Power cord (Flint Gray) - 18 AWG, 1.8m (72 in.) long - Has 90 degree (F) receptacle (For 120V in the USA, Canada, Latin America, Korea, Taiwan, and Thailand)

### Receptacle

136 RG5-5111-000CN AC power receptacle - Connector and housing assembly - 110VAC

137 RG5-5280-000CN AC power receptacle - Connector and housing assembly - 220VAC

### Sensor

138 RG5-5275-000CN Registration and feed sensors assembly - Includes PS 102/103

### Switch

139 WC4-5139-000CN Top cover interlock access switch

### Transceiver

140 RG5-5276-000CN Toner cartridge memory transceiver assembly - Provides communication between memory controller board and toner cartridge memory

## Logic/Control Electronics

### Drive (Product)

C2985A 2.1GB hard drive - LaserJet EIO font/print job storage  
NO LONGER SUPPLIED

*C2985B New Part for C2985A*

www.druckparts.pl



## Logic/Control Electronics

### PC Board

- 142 C8049-69009 Engine controller board - Provides all power supply and motor control functions, including power switch - 110 volts - Does not include insulator sheet or bottom metal plate
- 143 C8049-69010 Engine controller board - Provides all power supply and motor control functions - 220 volt - Does not include insulator sheet or bottom metal plate  
REQUIRES RETURN OF DEFECTIVE PART  
*RG5-5360-050CN New Part for C8049-69010*
- 144 RG5-2673-000CN Feeder controller board - Paper Size detection  
RG5-5359-060CN Engine controller board - Provides all power supply and motor control functions, including power switch - 110 volts - Does not include insulator sheet or bottom metal plate
- 146 RG5-6996-000CN Cartridge memory controller board - Between ECU and the toner cartridge memory antenna

## Other Accessories

### Cartridge

- C8061-67901 Black toner (EP) cartridge - With 'Micro-Fine' toner - Has standard capacity toner - Prints approximately 6,000 pages
- C8061-67902 Black toner (EP) cartridge - With 'Micro-Fine' toner - Has maximum capacity toner - Prints approximately 10,000 pages

### Cleaning Supplies

- 5090-3379 Toner cleaning cloth - Specially treated cloth for absorbing toner (1 per package) - Ideal for cleaning up toner spills

### IR Assembly

- C4103-67901 FIR pod - Fast infrared receiver - With cable that plugs into formatter board port on back of printer

### Manual

- 5851-1891 LaserJet quick reference service guide (monochrome) - Covers the LaserJet 1000, 1100, 1300, 2300, 3300mfp, 4100mfp, 4200, 4300, 4000, 5100, 8150 and 9000 series printers
- C8049-90925 LaserJet 4100 service manual (English)

### Tray

- C8056-69001 500-sheet tray/cassette - This is only the tray, does not include feeder or frame that tray goes into  
REQUIRES RETURN OF DEFECTIVE PART  
*C8056-67901 New Part for C8056-69001*
- C8056A HP LaserJet 4000/4100 500 sheet tray, cassette - Tray only, does not include feeder or frame that tray goes into

### Tray Assembly

- C8055-67901 500-sheet paper feeder and tray cassette - This is the frame and tray that the printer sits on top of
- C8055A HP LaserJet 4100 500-sheet paper feeder and tray/cassette - This is the assembly frame and tray that the printer sits on top of

## Paper Path Parts

### ADF Assembly

- C9148-69004 ADF assembly - Does not include ADF input tray  
*RG5-6549-090CN New Part for C9148-69004*

### Arm

- 158 C8049-67904 Left side output roller
- 159 RG5-5093-000CN Delivery sensor arm assembly

### Coupler

- 160 C4119-67902 Coupler kit - Contains pickup roller coupler, four paper tray load limit clips and installation instruction sheet

### Feed Assembly

- 161 RG5-5086-000CN Paper feed assembly

### Flag

- RB2-5034-000CN Paper sensor flag - Arm that triggers PS106





**Paper Path Parts**

**Guide**

- 163 RB2-5043-000CN Lower transfer roller guide
- 164 RG5-5083-000CN Paper feed guide assembly

**Kit**

- C8058-67903 Maintenance kit (240V) - Includes fusing assembly three separation rollers, transfer roller, three paper feed rollers, pickup roller and instruction manual
- C8058-69003 Maintenance kit (240V) - Includes fusing assembly three separation rollers, transfer roller, three paper feed rollers, pickup roller and instruction manual  
REQUIRES RETURN OF DEFECTIVE PART
- C8058-67903 New Part for C8058-69003*

**Paper Output Unit**

- 167 RG5-5094-050CN Paper delivery assembly

**Pickup Assembly**

- 168 RG5-5277-000CN Tray 2 pickup assembly

**Roller**

- 169 RF5-3114-000CN Feed roller
- 170 RG5-5295-000CN Transfer roller assembly

**Roller Assembly**

- 171 RG5-5085-000CN Registration assembly

**Shaft**

- RB1-8867-000CN Pickup roller shaft - Shaft that the four pickup rollers mount to. Tray 2 pickup roller shaft

**Spring**

- RB2-5035-000CN Torsion spring - Provides tension for paper flag

**Pickup Assembly**

**Arm**

- 174 RB1-8879-000CN Paper tray sensing arm

**Hook**

- 175 RB1-2190-000CN Pick-up roller spring hook

**Roller**

- 176 RB1-8957-000CN Paper pick-up roller - 'D' roller (Sold individually)

**Spring**

- 177 RS5-2632-000CN Tension spring - Provides tension for pickup roller

**Top Cover Assembly**

**Control Panel**

- 178 RG5-5372-050CN Control panel - Does not include overlay

**Cover**

- 179 RG5-2663-090CN Top cover assembly - Does not include control panel

**Latch**

- 180 RB1-8846-000CN Rear output tray - Drop down release latch

**Overlay**

- C4251-40001 LaserJet 4050/4100 control panel overlay (English)
- C4251-40002 LaserJet 4050/4100 control panel overlay (French)
- C4251-40003 LaserJet 4050/4100 control panel overlay (Italian)
- C4251-40004 LaserJet 4050/4100 control panel overlay (Portuguese)
- C4251-40005 LaserJet 4050/4100 control panel overlay (Norwegian)

www.druckparts.pl





## Top Cover Assembly

### Overlay

C4251-40006	LaserJet 4050/4100 control panel overlay (Hungarian)
C4251-40007	LaserJet 4050/4100 control panel overlay (Swedish)
C4251-40008	LaserJet 4050/4100 control panel overlay (Polish)
C4251-40009	LaserJet 4050/4100 control panel overlay (Russian)
C4251-40010	LaserJet 4050/4100 control panel overlay (Czechoslovakian)
C4251-40011	LaserJet 4050/4100 control panel overlay (Korean)
C4251-40012	LaserJet 4050/4100 control panel overlay (Simplified Chinese)
C4251-40013	LaserJet 4050/4100 control panel overlay (Traditional Chinese)
C4251-40014	LaserJet 4050/4100 control panel overlay (German)
C4251-40015	LaserJet 4050/4100 control panel overlay (Spanish)
C4251-40016	LaserJet 4050/4100 control panel overlay (Danish)
C4251-40017	LaserJet 4050/4100 control panel overlay (Dutch)
C4251-40018	LaserJet 4050/4100 control panel overlay (Greek)
C4251-40019	LaserJet 4050/4100 control panel overlay (Finnish)
C4251-40020	LaserJet 4050/4100 control panel overlay (Turkish)
C4251-40021	LaserJet 4050/4100 control panel overlay (Hebrew)
C4251-40022	LaserJet 4050/4100 control panel overlay (Arabic)
C4251-40023	LaserJet 4050/4100 control panel overlay (Japanese)
C4251-40024	LaserJet 4050/4100 control panel overlay (Thailand)

### Panel

205	RB1-8841-000CN	Toner cartridge access panel
-----	----------------	------------------------------

### Spring

206	RB1-8847-000CN	Rear tray latch release spring
-----	----------------	--------------------------------

## Tray 1 Pickup Assembly

### Arm

207	RB1-8787-000CN	Tray 1 paper sensor actuator arm NO LONGER SUPPLIED
-----	----------------	--

*RF5-3116-000CN* *New Part for RB1-8787-000CN*

208	RB2-2387-000CN	Tray 1 retaining arm
-----	----------------	----------------------

### Cover

209	RB2-5019-000CN	Gear cover on right side of tray 1 pickup assembly
-----	----------------	--

210	RB2-5037-000CN	Envelope feeder cover
-----	----------------	-----------------------

### Pad

211	RF5-3086-000CN	Separation pad for tray 1 pickup assembly
-----	----------------	---

### Roller

212	RG5-3718-000CN	Tray 1 pickup roller assembly
-----	----------------	-------------------------------

### Sensor

213	WG8-5362-000CN	Optical sensor
-----	----------------	----------------

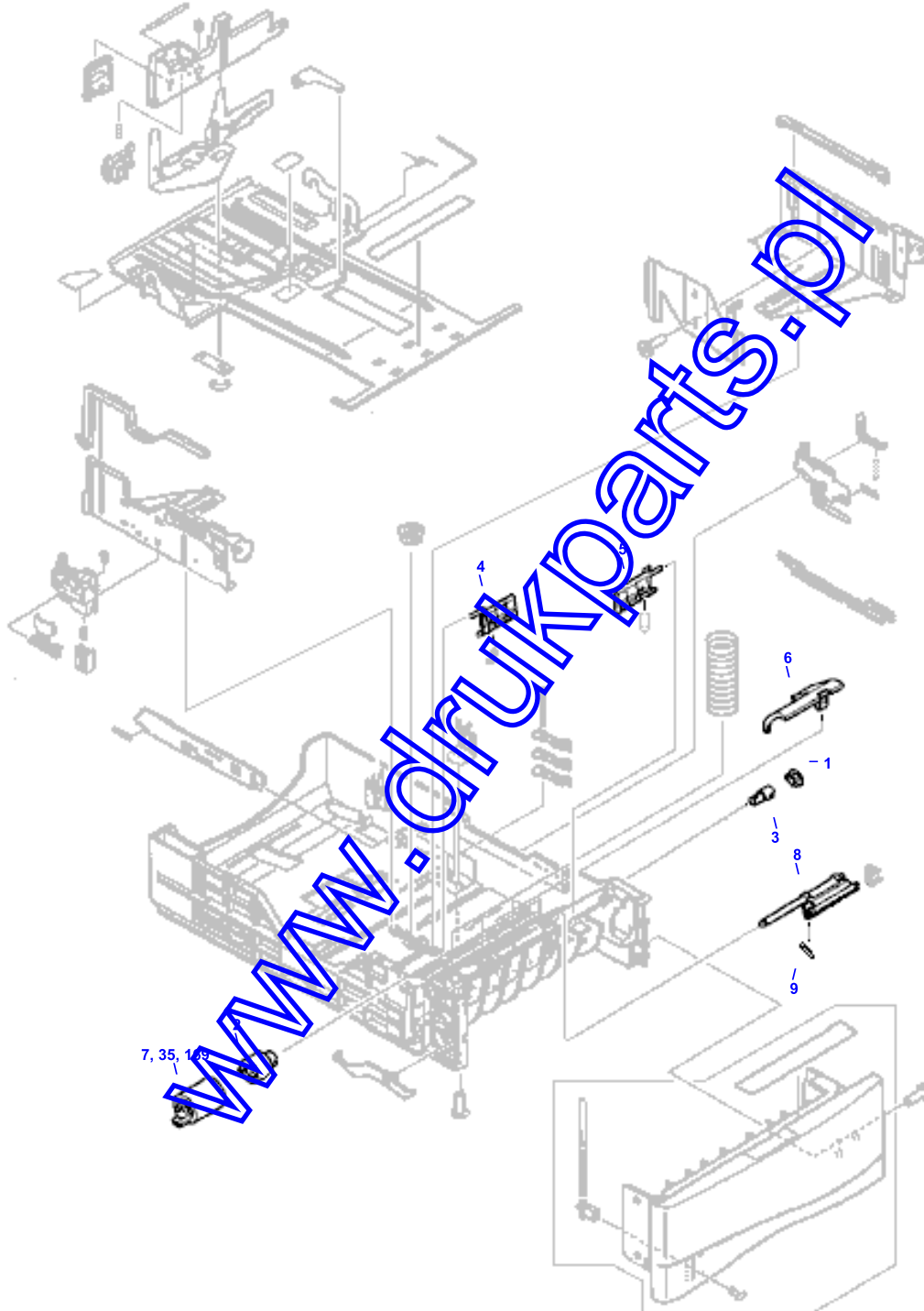
### Sensor Mechanism

RF5-3116-000CN	Tray 1 paper sensor actuator arm and cover assembly
----------------	---

### Solenoid

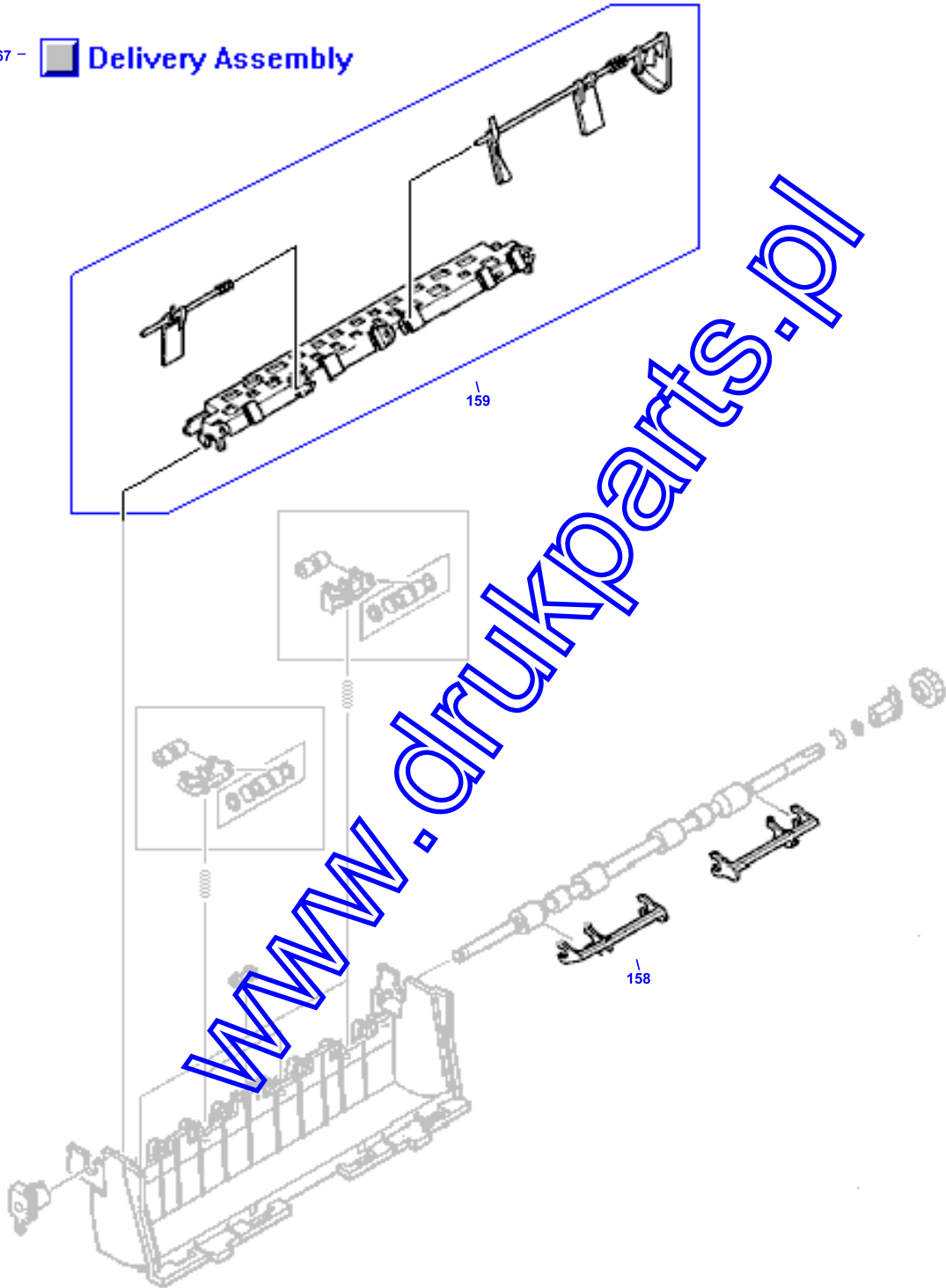
215	RH7-5172-000CN	Tray 1 paper pickup drive solenoid
-----	----------------	------------------------------------

500 Sheet Tray

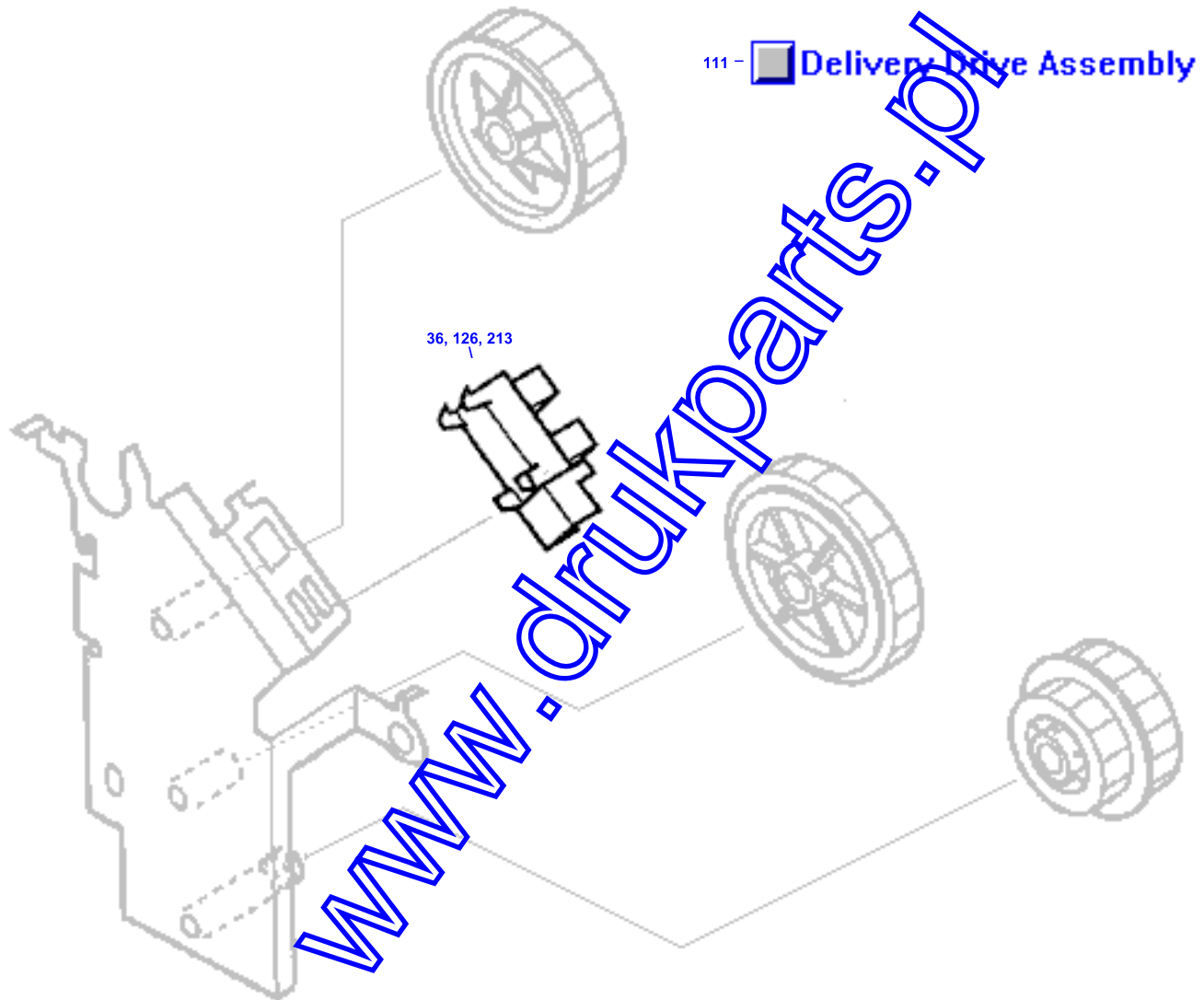


Delivery Assembly

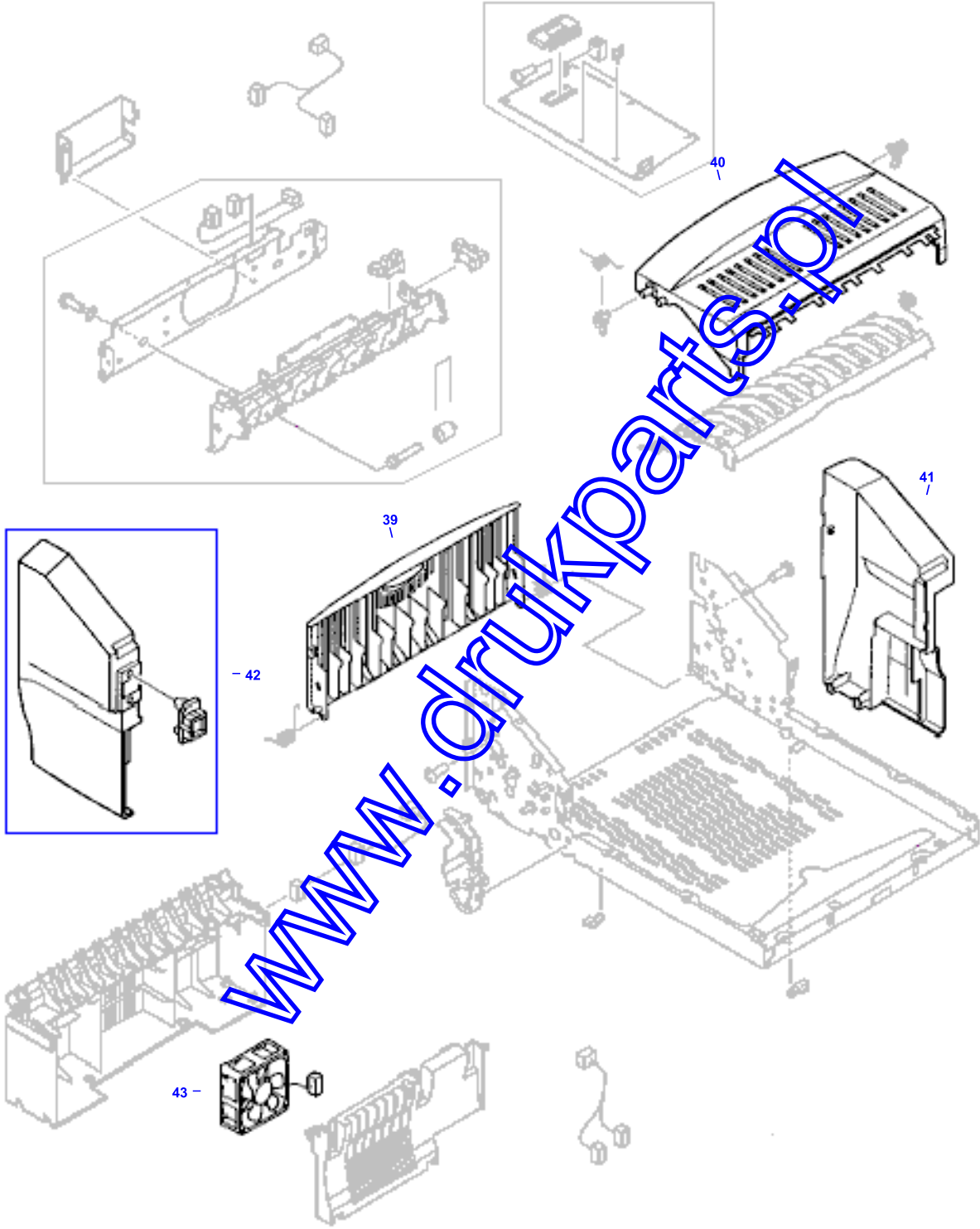
167 -  Delivery Assembly



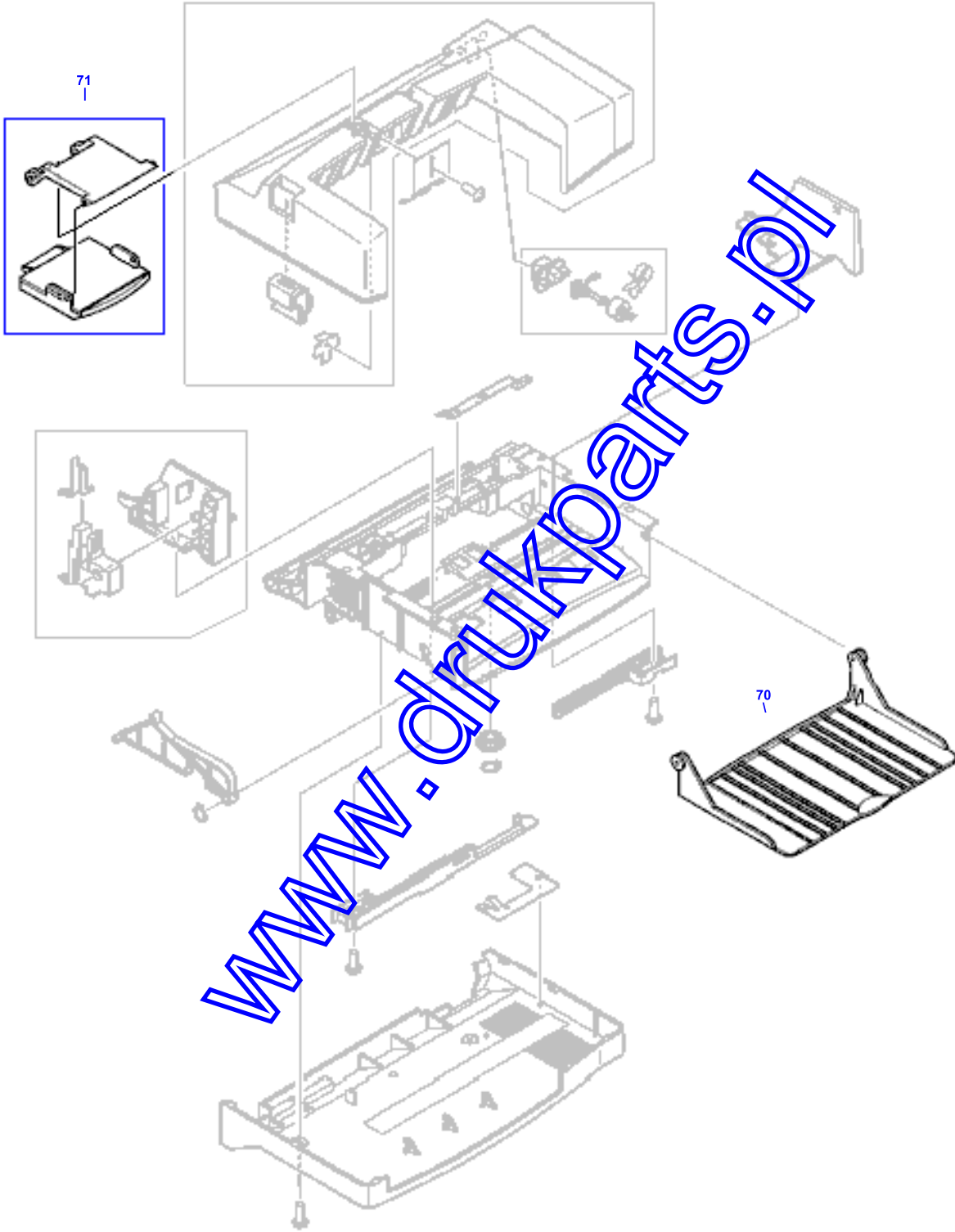
Delivery Drive Assembly



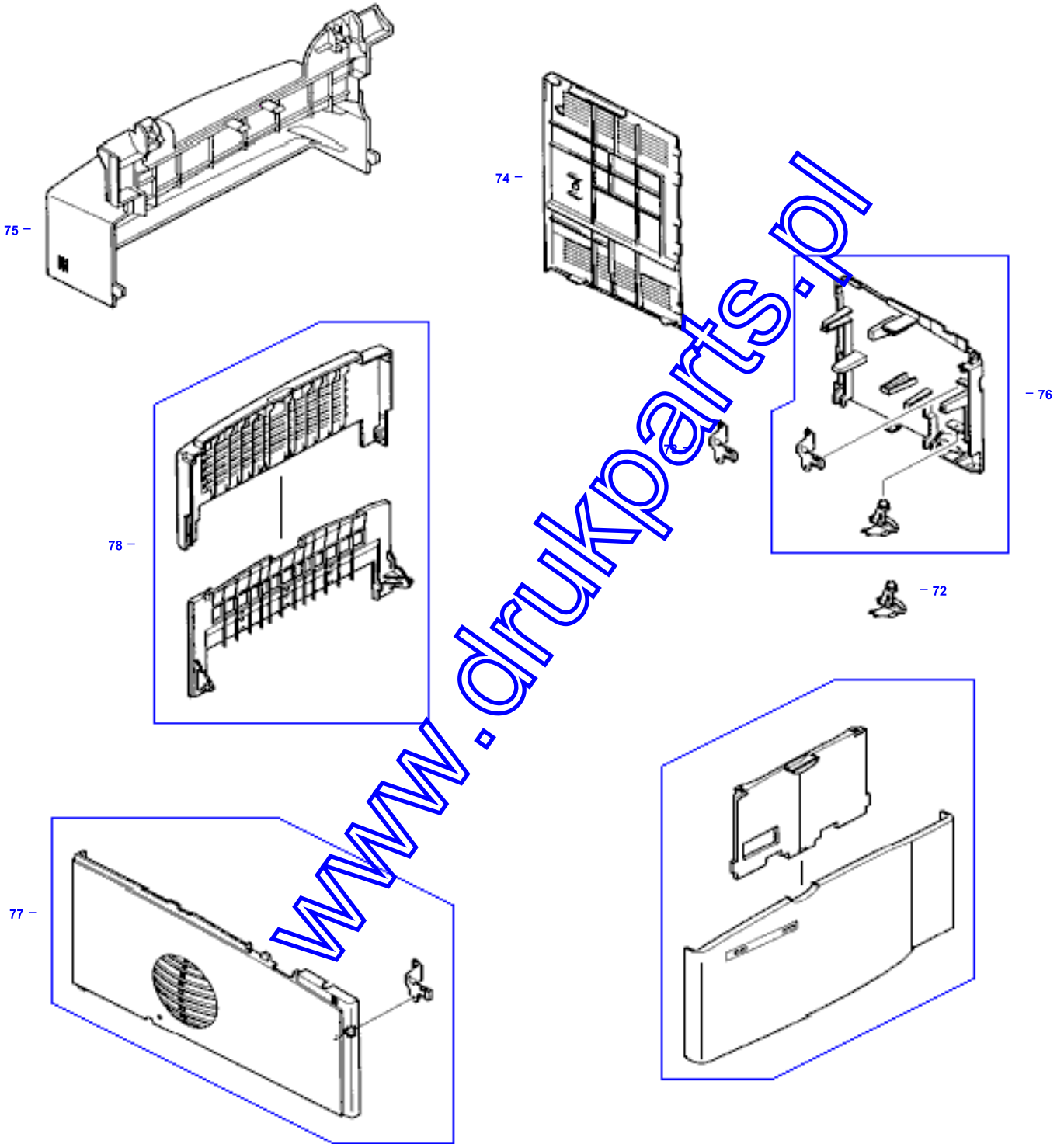
Duplexer



Envelope Feeder

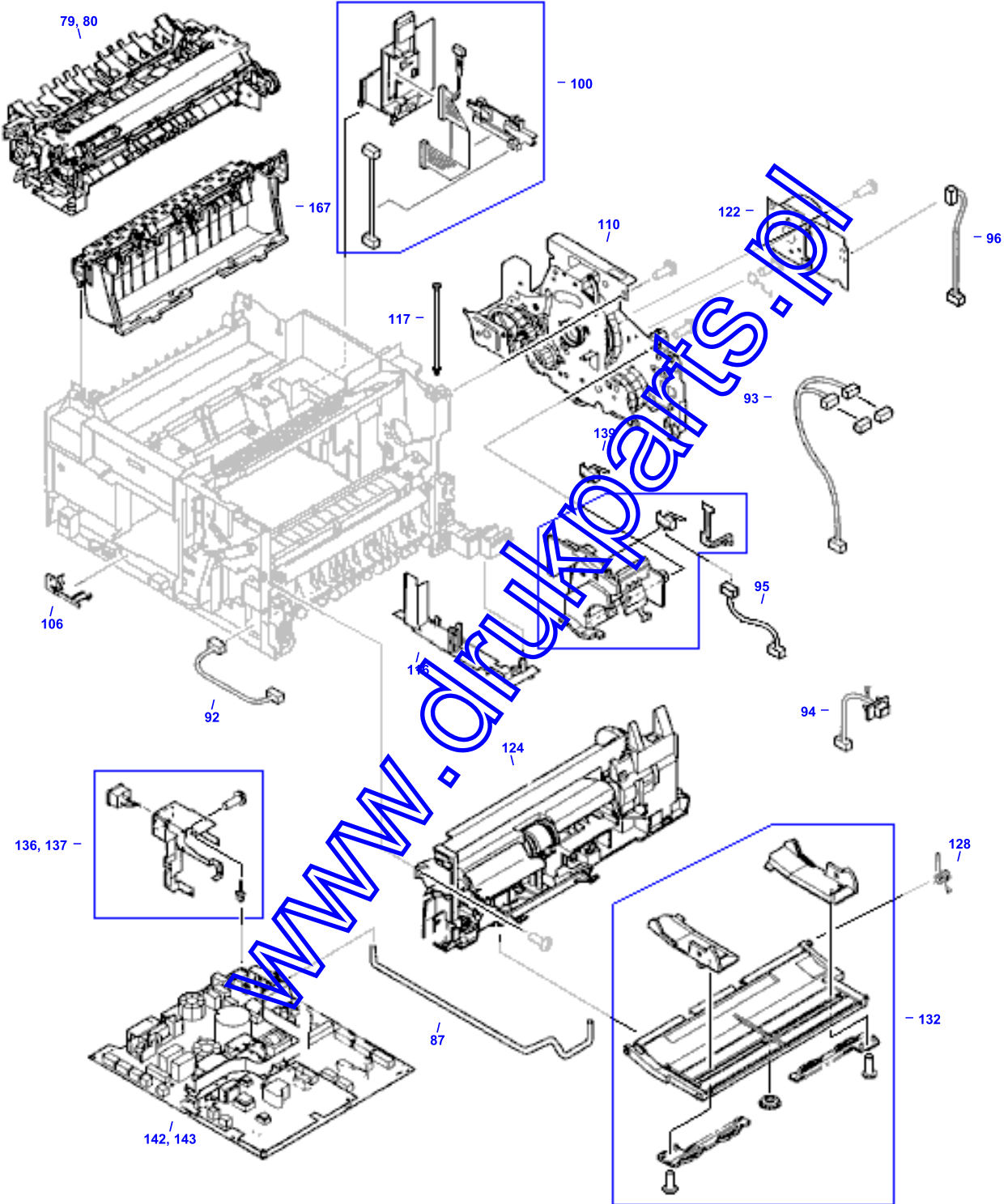


External Covers and Panels

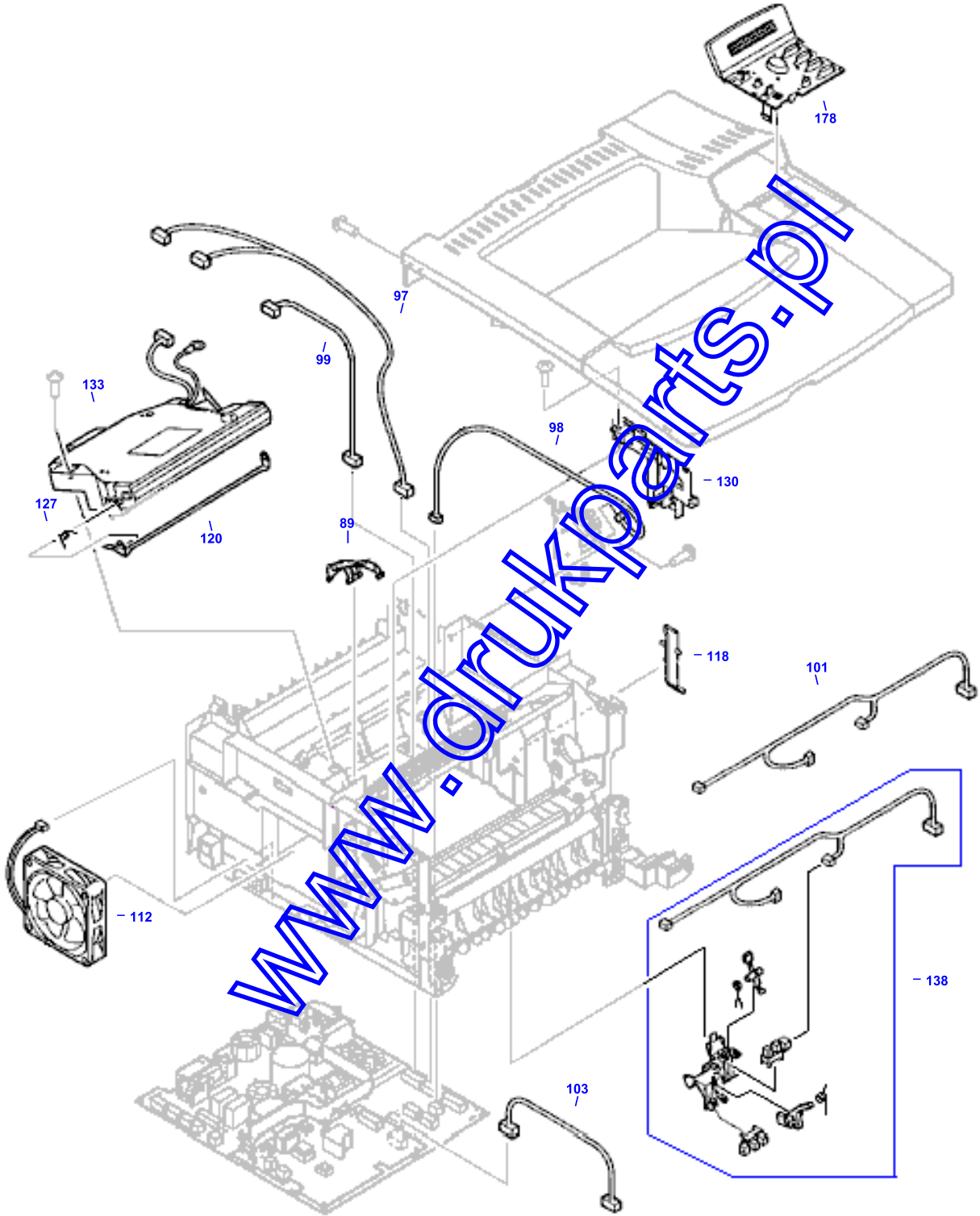




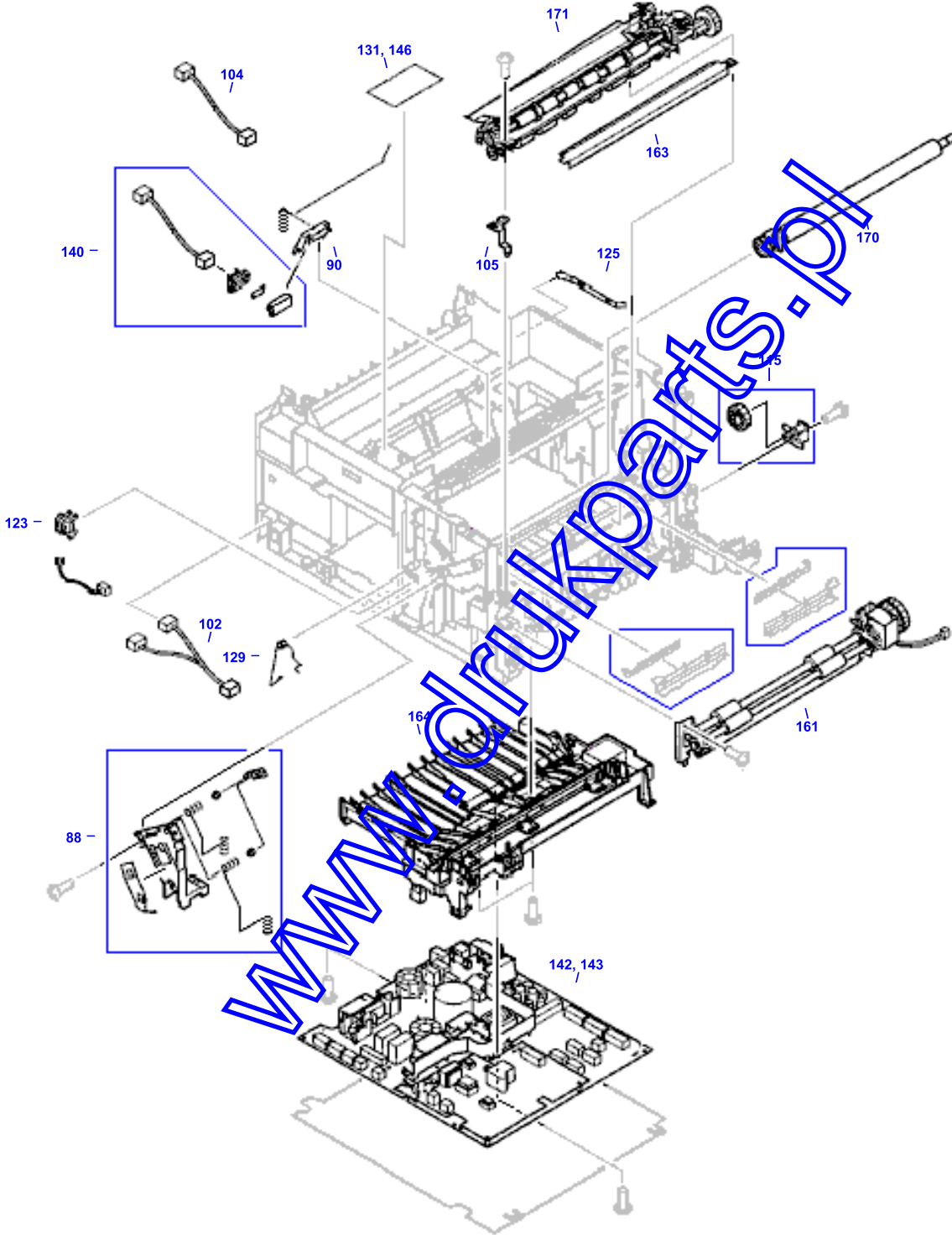
Internal Components (1 of 4)



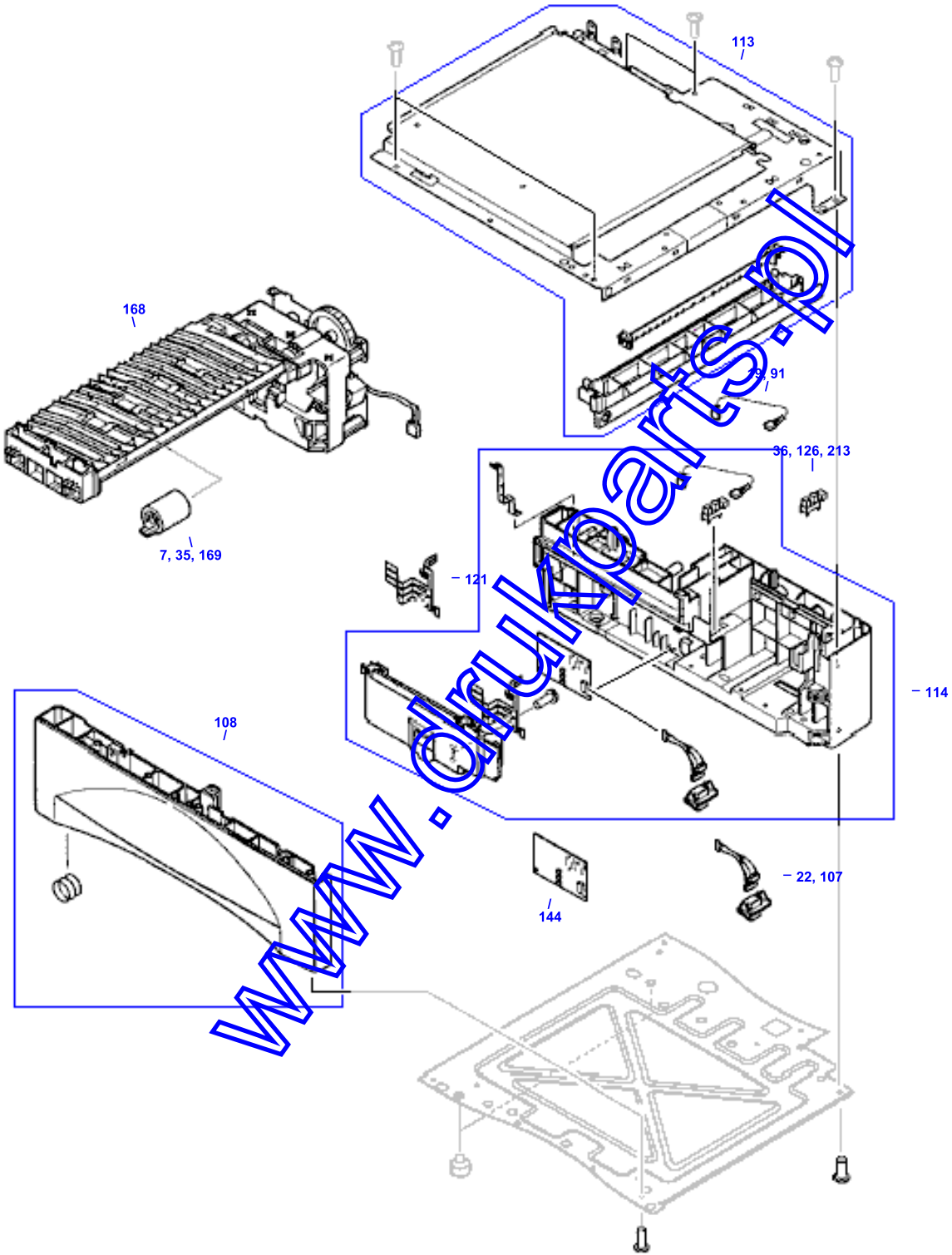
Internal Components (2 of 4)



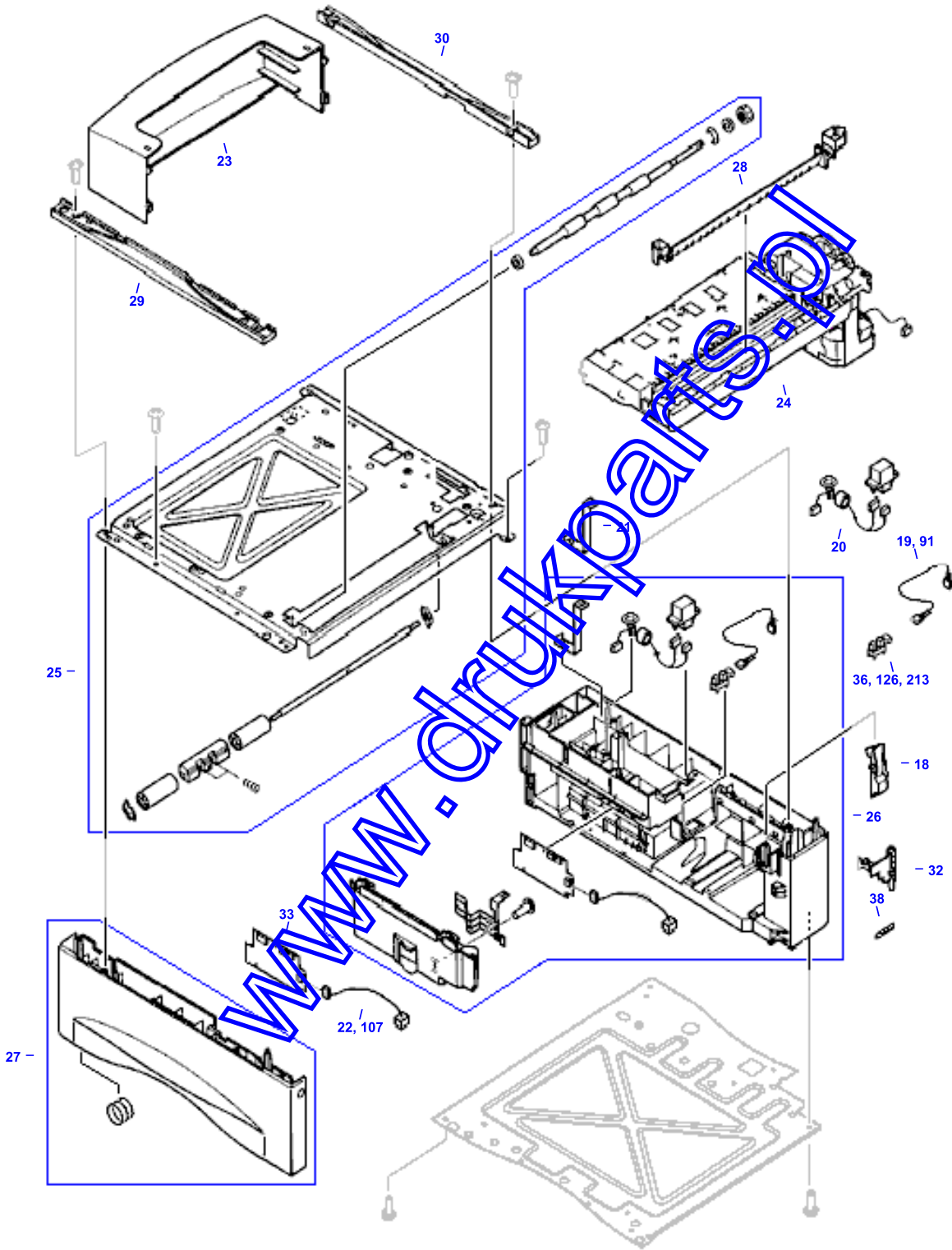
Internal Components (3 of 4)



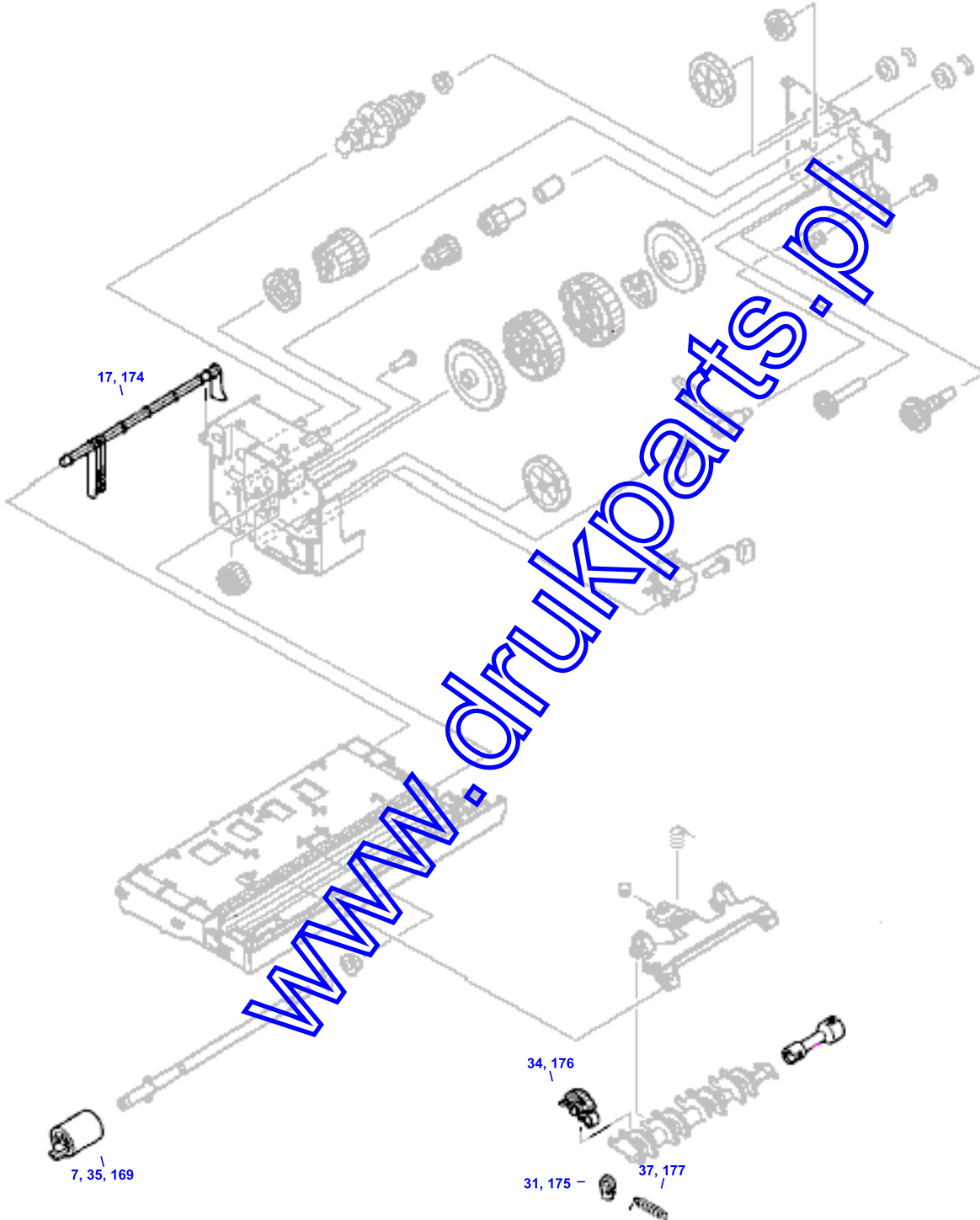
Internal Components (4 of 4)



Optional 500 Sheet Feeder

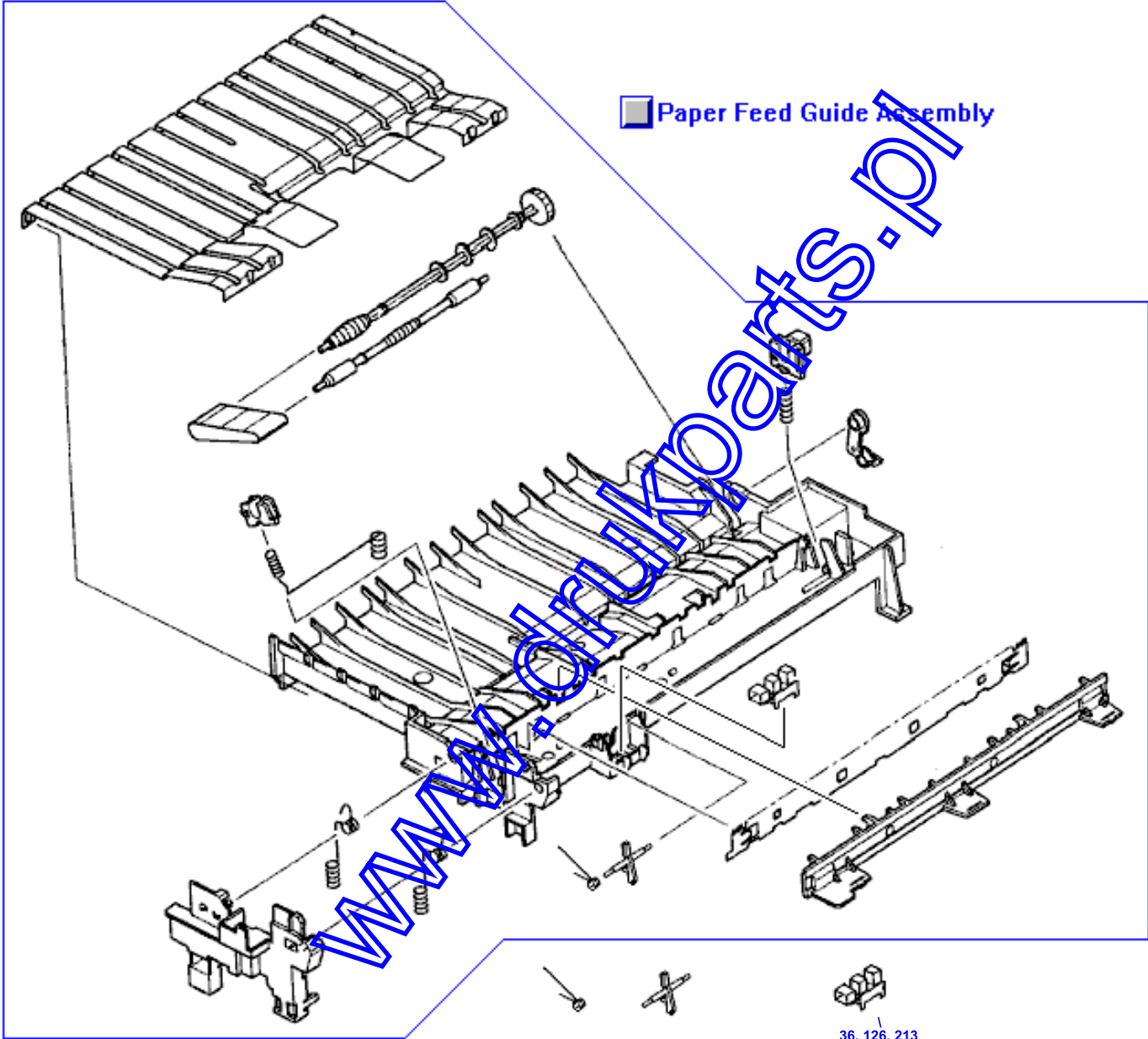


Optional 500 Sheet Pickup Assembly





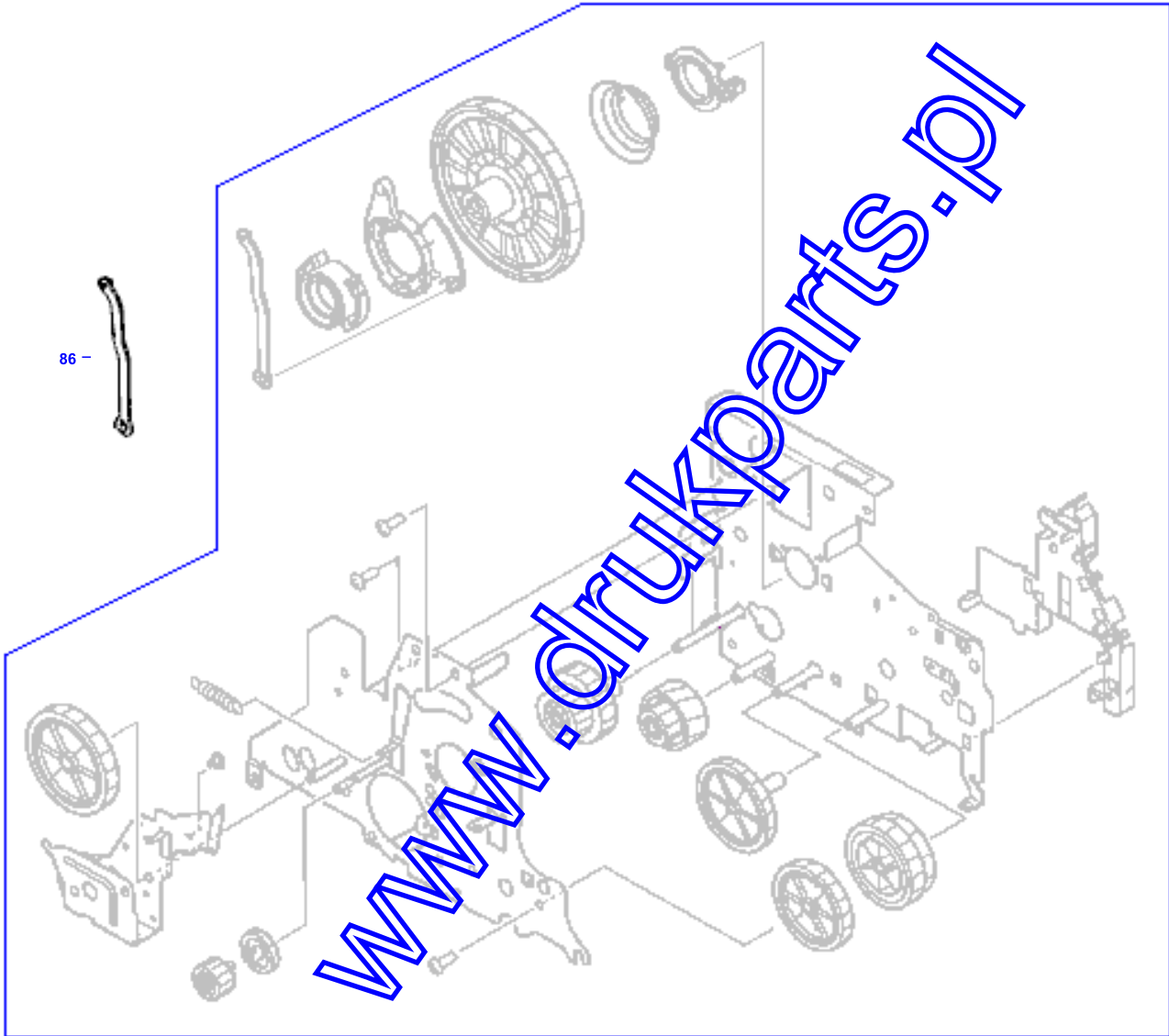
Paper Feed Guide Assembly





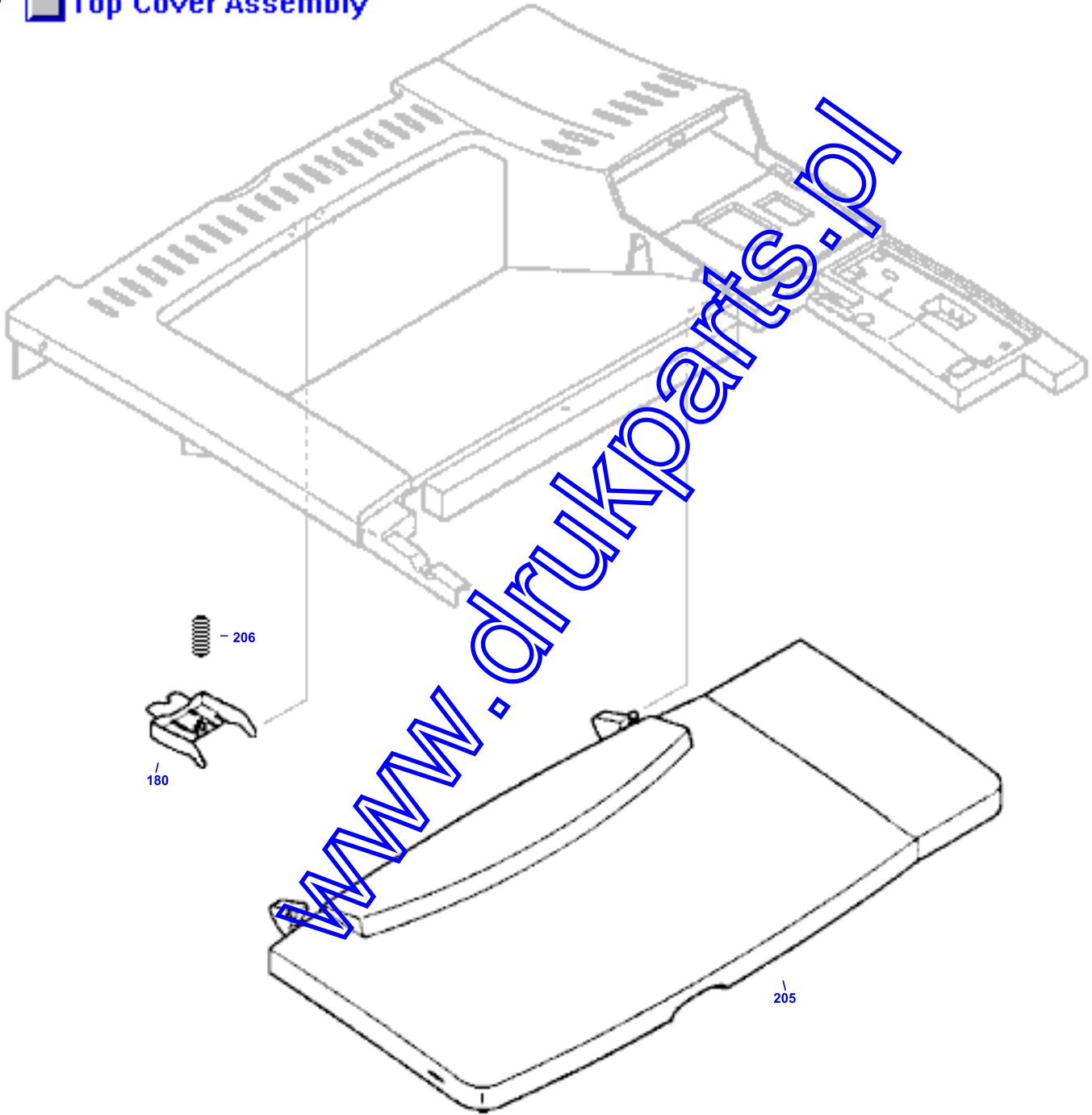
Printer Drive Assembly

110 -  Printer Drive Assembly

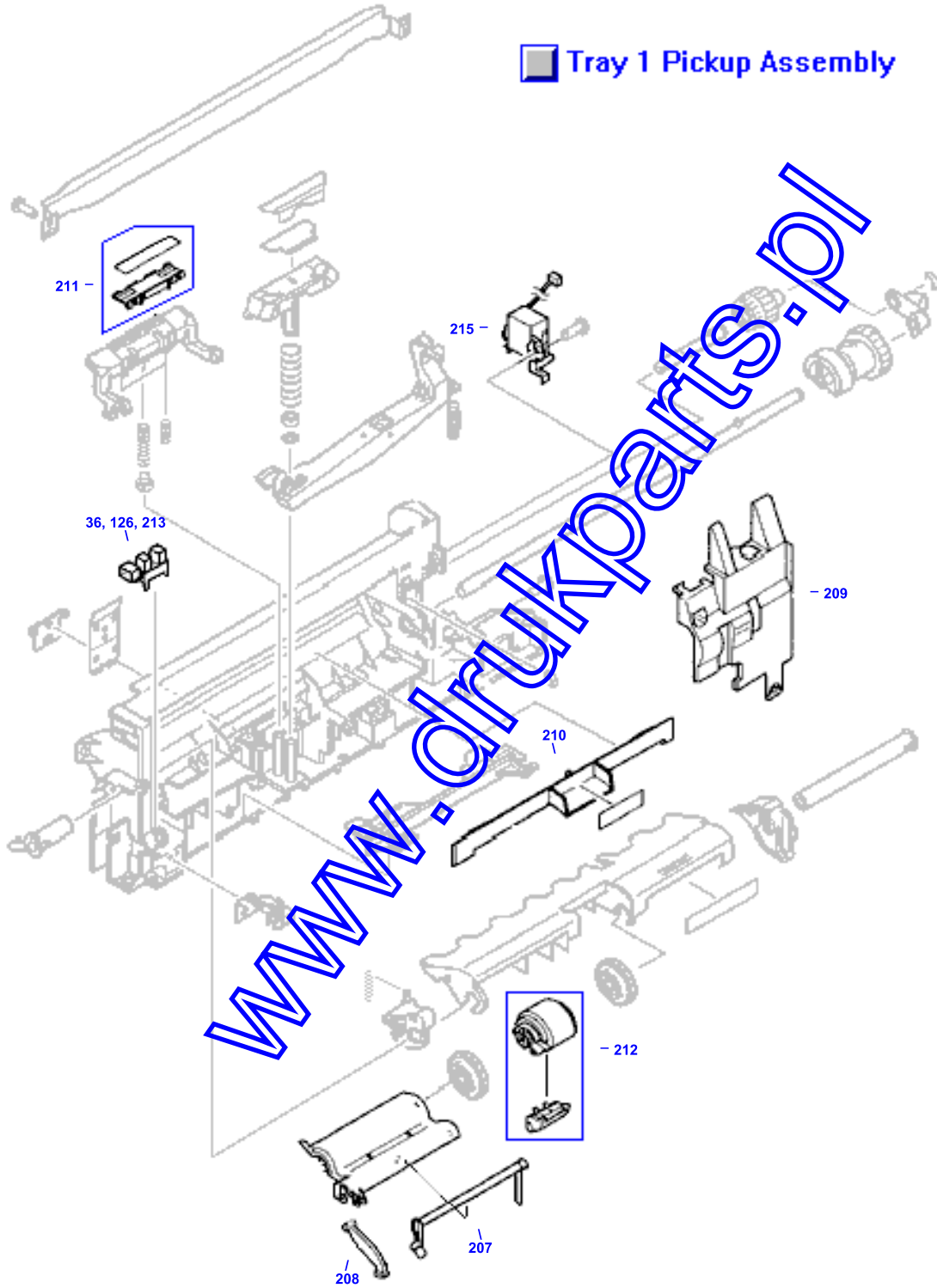


Top Cover Assembly

179 -  Top Cover Assembly

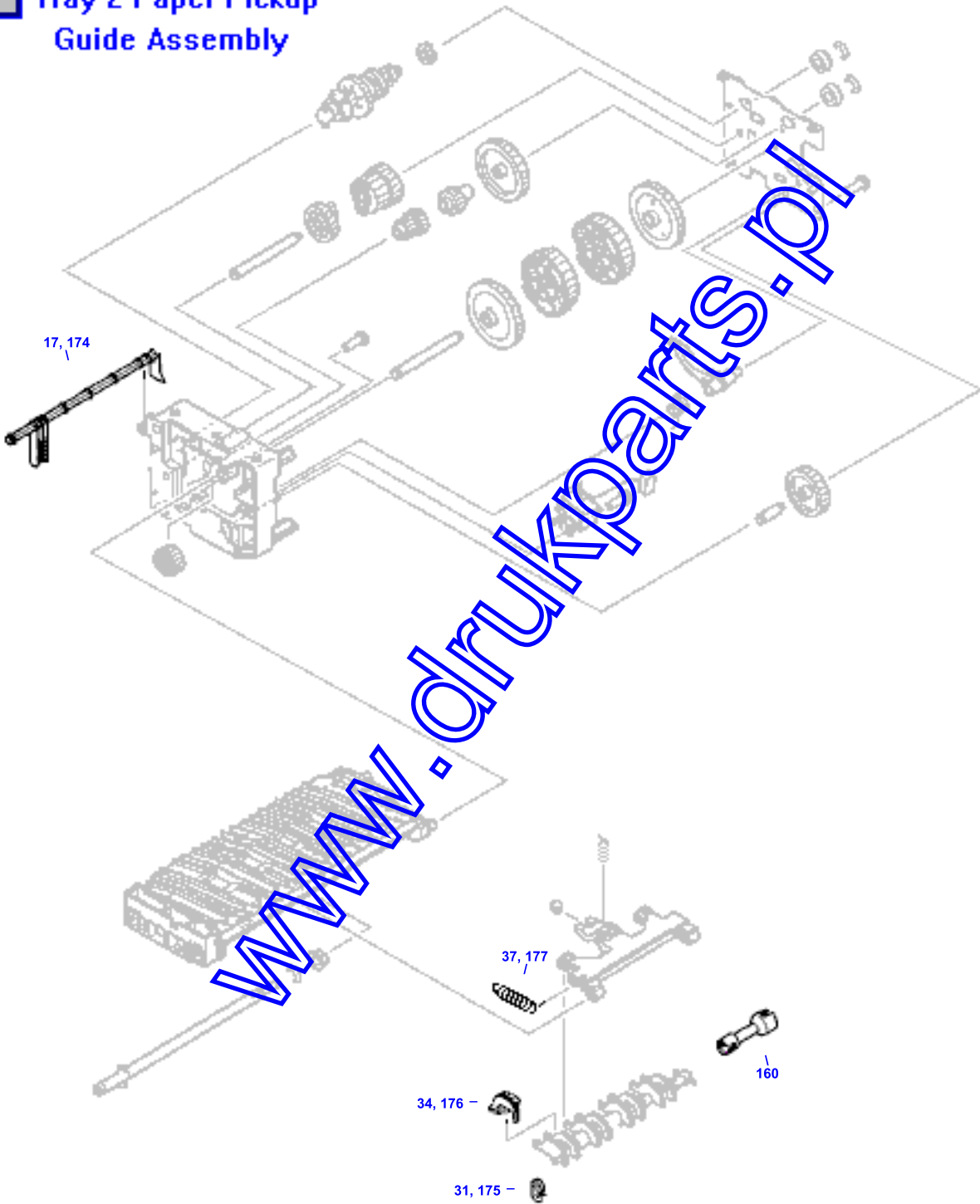


Tray 1 Pickup Assembly



Tray 2 Pickup Assembly

168 -  Tray 2 Paper Pickup Guide Assembly





**HP Parts Reference Guide**

<http://www.hp.com/go/parts>

**HP PartSurfer**

<http://partsurfer.hp.com>

**HP Parts Ordering Information**

<http://www.hp.com/go/hpparts>

**HP Parts Questions/Comments**

<http://partsurfer.hp.com/contactus.htm>

[www.drukparts.pl](http://www.drukparts.pl)

---