

500 Sheet Feeder

Cable

1 RG5-3711-000CN Optical sensor cable

Connector

2 RG5-3712-000CN Lower tray connector and cable
3 VS1-6176-006CN 250/500 sheet feeder connector

Cover

4 RB1-8886-000CN Feeder PC board cover
5 RG5-2668-120CN Right side feeder cover
6 RG5-2669-050CN Feeder cover left side

Foot

7 RB1-8107-000CN Rubber foot

Hardware

8 XA9-0917-000CN Feed module screw - M3 x 16mm

Kit

9 C4251-67906 Paper guide kit

Lever

10 RB1-8887-000CN Tray size sensing lever assembly

PC Board

12 RG5-2673-000CN Feeder controller board - Paper Size detection

Paper Pick-Up

11 RG5-2672-140CN 500 sheet paper pickup drive assembly

Plate

13 RG5-2670-000CN Lower base plate - Bottom plate of 500 sheet feeder

Roller

14 RB1-8865-000CN Paper pick-up roller - 'D' roller (Sold individually)

Spring

15 RS5-2652-000CN Tray lock spring

500 Sheet Tray

Bushing

16 RB1-8946-000CN Separation roller bushing

Clutch

17 RB1-8974-000CN Separation roller clutch - Torque limiter

Coupler

18 RB1-8945-000CN Separation roller gear coupler

Gear

19 RB1-8948-000CN Separation roller drive gear

Indicator

20 RB1-9009-000CN Level indicator - Small oval button on front left side of tray - Moves vertically to show amount of paper in tray

Lifter

21 RB1-8961-000CN Arm lifter - White plastic arm that holds top left side metal corner piece up when loading paper in tray
22 RB1-8962-000CN Arm lifter - White plastic arm that holds top right side metal corner piece up when loading paper in tray

Panel

23 RB1-8947-000CN Separation roller access panel



500 Sheet Tray

Roller

24 RF5-1885-000CN Feed/separation roller - Roller is gray with blue tab protruding out one side

Spindle

25 RF5-2489-000CN Separation roller mounting assembly

Spring

26 RS5-2622-020CN Separation roller tension spring

Stop

27 RF5-2760-000CN Paper stop for 500 sheet tray

Tray

28 C4125-67901 500 sheet universal paper tray assembly - This is ONLY the tray that holds the paper, NOT the Optional Feeder Assembly (C4124A) that the Printer Sits on - Holds A5 to Legal Size Paper - Replaces C3122A Tray

C4124A 500 Sheet Feeder

Bearing

29 RS5-1179-000CN Transport roller bearing

Bushing

30 RB1-8946-000CN Separation roller bushing

Cable

31 RG5-3822-000CN Paper feeder cable

Clip

32 XD2-1100-502CN E-ring clip - For the transport roller

Clutch

33 RB1-8974-000CN Separation roller clutch - Torque limiter

Connector

34 VS1-6174-006CN Feed drive assembly connector

Coupler

35 RB1-8945-000CN Separation roller/gear coupler

Drive Assembly

36 RG5-2690-000CN Optional 500 sheet paper pickup drive assembly

Frame

37 RG5-2687-000CN Right side frame assembly

38 RG5-2688-000CN Left side frame assembly

Gear

39 RB1-8948-000CN Separation roller drive gear

Guide

40 RB1-8924-000CN Optional lower cassette support guide

Indicator

41 RB1-9009-000CN Level indicator - Small oval button on front left side of tray - Moves vertically to show amount of paper in tray

Lifter

42 RB1-8962-000CN Arm lifter - White plastic arm that holds top right side metal corner piece up when loading paper in tray

PC Board

43 RG5-3821-000CN Lower tray logic PCA - With tray size switches

Plate

44 RB1-9371-000CN Adjustable paper length stop plate

www.druckparts.pl



C4124A 500 Sheet Feeder

Plunger

45 RB1-8928-000CN Tray identifier plunger - Identifies tray number installed

Roller

46 RF5-1885-000CN Feed/separation roller - Roller is gray with blue tab protruding out one side

Spindle

47 RF5-2489-000CN Separation roller mounting assembly

Spring

48 RB1-8927-000CN Left side frame leaf spring

49 RS5-2967-000CN Compression spring for tray identifier plunger

50 RS5-2981-000CN Paper stop spring - Provides tension for tray plate stop

Stop

51 RB1-9374-000CN Tray paper stop - Locks paper length plate in slot

Tray

52 C4125-67901 500 sheet universal paper tray assembly - This is ONLY the tray that holds the paper, NOT the Optional Feeder Assembly (C4124A) that the Printer Sits on - Holds A5 to Legal Size Paper - Replaces C3122A Tray

Duplexer Components

Cover

53 RB1-9044-000CN Top cover - Duplexer access top cover

54 RB1-9045-000CN Duplexer rear cover panel

55 RB1-9047-000CN Right side duplexer cover

56 RF5-1876-000CN Left side duplexer cover - With connector

Duplexer

57 C4123-69001 Duplexer assembly

Fan

58 RH7-1361-000CN Duplexer fan - 24VDC

Electronic Accessories

Adapter

C2809A Serial cable adapter - 9-pin male to 25-pin female

Cable (Interface)

5063-1256 IEEE-1284 Bi-Tronics parallel cable - DB-25 (M) connector (type A) to 36 pin Centronics (M) connector (type B) - 2.0m (6.6ft) long

5063-1257 IEEE-1284 Bi-Tronics parallel cable - DB-25 (M) connector (type A) to 36 pin Centronics (M) connector (type B) - 3.0m (9.8ft) long

92215N Interface cable kit - For HP peripherals designed for use in an AppleTalk/Phonenet network - Not for Macintosh models that have recessed I/O connectors

92215S RS-422 serial cable - 8 pin (M) to 8 pin (M) - 2.0m (6.6ft) long - For connecting Apple Macintosh with LocalTalk/serial connector

C2932A RS-232C serial cable - 9 pin (M) to 9 pin (F) - 3.0m (9.8ft) long
NO LONGER SUPPLIED

C2933A RS-232C serial cable - 9 pin (M) to 25 pin (F) - 3.0m (9.8ft) long
NO LONGER SUPPLIED

C2950A IEEE-1284 Bi-Tronics parallel cable - DB-25 (M) connector (type A) to 36 pin Centronics (M) connector (type B) - 2.0m (6.6ft) long

5063-1256 *New Part for C2950A*

C2951A IEEE-1284 Bi-Tronics parallel cable - DB-25 (M) connector (type A) to 36 pin Centronics (M) connector (type B) - 3.0m (9.8ft) long

C2990A IEEE-1284 Bi-Tronics parallel cable - DB-25 (M) (type A) to 36 pin (M) Centronics (type B) - 1.8m (6ft) long
NO LONGER SUPPLIED



Electronic Accessories

Cable (Interface)

C2991A IEEE-1284 Bi-Tronics parallel cable - DB-25 (M) (type A) to 36 pin (M) Centronics (type B) - 3.0m (10ft) long
NO LONGER SUPPLIED

Drive

C2985-61021 20GB hard drive (Laserjet) - LaserJet EIO font/print job storage - Used as replacement for 2.1GB and 3.2GB drives when used in a LaserJet

Duplexer

C4123A Duplexer assembly - For 2 sided printing

Envelope Feeder

C4122A Power envelope feeder - Holds 75 envelopes

Interface (Product)

J6057A JetDirect 615N internal print server (10Base-T and 100Base-TX) LAN interface board - Plugs into peripheral EIO slot - Has a RJ-45 connector - Comes with software on CD-ROM and manual

J6057AR JetDirect 615N internal print server (10Base-T and 100Base-TX) LAN interface board - Plugs into peripheral EIO slot - Has a RJ-45 connector - Comes with software on CD-ROM and manual

Memory (Product)

C4135A 4MB, 100-pin, 32-bit, 60nS, EDO DRAM DIMM memory module

C4136A 8MB, 100-pin, 32-bit, 60nS, EDO DRAM DIMM memory module

C4137A 16MB, 100-pin, 32-bit, 60nS, EDO DRAM DIMM memory module

C4140A 4MB, 100-pin SDRAM DIMM memory module
NO LONGER SUPPLIED

C7842A *New Part for C4140A*

C4286A 2MB flash DIMM memory - Font storage device

C4292A 8MB Traditional Chinese MROM DIMM - For LaserJet 4000 and 5100 series printers

C4293A 8MB Simplified Chinese MROM DIMM - For LaserJet 4000 and 5100 series printers

C7842A 8MB, 100-pin SDRAM DIMM memory module

C7843A 16MB, 100-pin SDRAM DIMM memory module

C7845A 32MB, 100-pin SDRAM DIMM memory module

PC Board (Interface)

J3111-69001 JetDirect 600N EIO internal print server (10Base-T, 10BASE-2, and LocalTalk LAN interface board - Has one RJ-45, BNC, and 8-pin DIN connector (J3111A) - NOTE: EIO interface boards are NOT interchangeable with MIO boards
REQUIRES RETURN OF DEFECTIVE PART

J3111-61001 *New Part for J3111-69001*

Envelope Feeder

Envelope Feeder

86 C4122-69001 Envelope feeder assembly

C8053-69002 *New Part for C4122-69001*

Mount

87 RF5-2798-000CN Envelope mount - Pivotal holder for envelope weight

Tray

88 RB1-9088-000CN Envelope feeder input tray

Weight

89 RF5-2511-000CN Envelope weight



External Case Parts

Button

90 RB1-8849-030CN Power switch button

Clip

91 RB1-8848-000CN Left side panel retainer clip

92 RB1-8860-000CN Right side panel retainer clip

Cover

5021-0349 EIO slot cover

94 RB1-8858-000CN Formatter board cover panel

95 RG5-2664-070CN Right front cover assembly

96 RG5-2665-000CN Left side cover assembly - Includes panel retainer clip

Door Kit

97 C4118-67907 Tray 1 door assembly kit - New style pull-out tray with extension and new spring - includes instructions

Panel

98 RB2-2400-000CN Left duplex access panel

99 RB2-2401-000CN Right duplex access panel

Tray

100 RB1-8843-000CN Rear output tray

101 RB1-8844-000CN Rear output tray pull-out extension

Fusing Assembly

Cover

102 RB1-8805-000CN Rear fuser cover panel

Fusing Assembly

103 C4118-69011 Fusing assembly - 110 volts
REQUIRES RETURN OF DEFECTIVE PART

RG5-2661-490CN *New Part for C4118-69011*

104 C4118-69012 Fusing assembly - 220 volts
REQUIRES RETURN OF DEFECTIVE PART

RG5-2662-500CN *New Part for C4118-69012*

Heating Roller

105 RG5-4290-000CN Fusing roller - Heating element and film sleeve - 110V

106 RG5-4291-000CN Fusing roller - Heating element and film sleeve - 220V

Roller

107 RB9-0684-000CN Fusing assembly pressure roller

Internal Components

Actuator

108 RB1-8851-000CN Power switch actuator rod

Arm

109 RB1-8700-000CN Laser shutter arm

Button

110 RB1-8688-000CN Engine test button - Manual test button

Cover

111 RB1-8706-000CN Main cooling fan cover

www.drukparts.pl



Internal Components

Drive Assembly

- 112 RG5-2653-020CN Print drive gear assembly
- 113 RG5-3721-000CN Delivery drive assembly

Fan

- 114 RH7-1334-000CN Main cooling fan

Gear

- 115 RS5-0911-000CN Coupler gear

Guide

- 116 RB1-8704-030CN Bottom cable guide
- 117 RB1-8862-000CN Formatter/control panel cable guide

Hardware

- RB1-8703-000CN Module attachment screw - Long screw with shoulder at bottom

Holder

- 119 RB1-8689-000CN Cable holder
- 120 RB1-8690-000CN Toner cartridge sensing spring retainer

Motor

- 121 RH7-1331-000CN Main motor assembly

Paper Output Unit

- 122 RG5-2648-110CN Paper delivery assembly

Paper Pick-Up

- 123 RG5-2655-360CN Tray 1 paper pickup assembly

Plate

- RB2-2405-000CN Control panel ground plate
- 125 RF5-1867-000CN Pre-transfer ground plate assembly
- 126 RF5-2496-000CN Coupler gear mounting plate

Sensor

- 127 WG8-5362-000CN Optical sensor

Spring

- 128 RB1-8693-000CN Toner cartridge drum ground spring
- 129 RB1-8695-000CN Toner cartridge sensing spring
- 130 RB1-8702-000CN Laser shutter spring - Provides tension for laser shutter
- 131 RB1-8827-000CN Leaf spring

Strap

- 132 RB1-8694-000CN Interlock switch support ground strap
- 133 RB1-8708-000CN Gear plate ground strap
- RB1-8747-000CN Registration assembly ground plate

Support

- 135 RB1-8671-000CN Left side top cover support
- 136 RG5-2645-000CN Right side top cover support assembly

Tray

- 137 RG5-2656-080CN Paper input tray (Tray 1) - Multi-Purpose tray assembly

www.drukparts.pl



LaserJet Electronics

Cable

- 138 RG5-3700-000CN Cable assembly - 3 pin (F) connectors on each end - 10.0cm (3.9 inches) long
- 139 RG5-3703-000CN Cable assembly - Large 6 pin (F) connector to both a 6.5cm (2.6 inch) grounding cable with a ring terminal and a 39.4cm (15.5 inch) cable with a small 6 pin (F) connector
- 140 RG5-3704-000CN Envelope feeder connector and cable
- 141 RG5-3705-000CN Cable assembly - A 6 pin (F) connector to both a 21.3cm (8.4 inch) cable with a 3 pin (F) connector and a 27.2cm (10.7 inch) cable with a 3 pin (F) connector
- 142 RG5-3706-000CN Feed/registration sensor assembly cable
- 143 RG5-3708-000CN Cable assembly - A 38 pin (F) connector to a 14cm (5.5 inch) ribbon cable with a 26 pin (F) connector, a 20cm (7.9 inch) ribbon cable with a 10 pin (F) connector, and a 34.6cm (13.6 inch) 2 wire cable with a 2 pin (F) connector
- 144 RG5-3709-000CN Main motor cable
- 145 RG5-3710-000CN Paper feeder module cable
- 146 RG5-3876-000CN Cable assembly with ferrite - A 13 pin (F) connector, a 6 pin (F) connector, a 4 pin (F) connector, and three 3 pin (F) connectors - 38.4cm (15.1 inches) long

Insulator

- 147 RB1-8838-000CN Sheet insulator - Plastic sheet between PCA and metal plate

Laser/Scanner

- 148 C4118-69005 Laser/scanner assembly
REQUIRES RETURN OF DEFECTIVE PART
RG5-2641-000CN New Part for C4118-69005

PC Board

- C4118-69008 Formatter board assembly
REQUIRES RETURN OF DEFECTIVE PART
C4118-67908 New Part for C4118-69008
- 150 C4118-69009 Engine controller board - Provides all power supply and motor control functions, including power switch - 110 volts - Does not include insulator sheet or bottom metal plate
REQUIRES RETURN OF DEFECTIVE PART
RG5-3693-080CN New Part for C4118-69009
- 151 C4118-69010 Engine controller board - Provides all power supply and motor control functions - 220 volt - Does not include insulator sheet or bottom metal plate
REQUIRES RETURN OF DEFECTIVE PART
RG5-3694-080CN New Part for C4118-69010

Plate

- 152 RB2-2404-000CN Cover plate - Metal bottom plate for engine controller PCA

Power Cord

- 8120-6802 Power cord (Flint Gray) - 2.3m (7.5ft) long - Has 90 degree (F) receptacle (For 220V in Europe, Saudi Arabia, South Africa, and India)
- 8120-6805 Power cord (Flint Gray) - 18 AWG, 2.3m (7.5ft) long - Has 90 degree receptacle (For 120V in the USA, Canada, Mexico, Philippines, and Taiwan)

Receptacle

- 155 RG5-3696-000CN AC power receptacle - Connector and housing assembly

Sensor

- 156 RG5-2642-000CN Registration and feed sensors assembly - Includes PS102/103

Switch

- 157 WC4-5139-000CN Top cover interlock access switch



Optional Interfaces

Interface (Product)

J3110A	Ethernet 10Base-T (RJ-45) EIO network internal print server PC board
J3111A	Ethernet 10Base-T/10Base2 and LocalTalk (RJ-45, BNC, LocalTalk) EIO network PCA
J3112A	JetDirect 600N token ring LAN interface board - DB-9 and RJ-45 connectors NO LONGER SUPPLIED
J4135A	JetDirect connectivity card - Has one USB port, one serial (DB9) port and one LocalTalk port - Plugs in the EIO slot on selected DesignJet and LaserJet printers
J4167A	JetDirect 610N token ring LAN interface board - DB-9 and RJ-45 connectors

PC Board (Interface)

J4135-61001	JetDirect connectivity card - Has one USB port, one serial (DB9) port and one LocalTalk port
-------------	--

Other Accessories

Cartridge

C4127A	Black toner (EP) cartridge - With 'Micro-Fine' toner - Has standard capacity toner (Prints approximately 6,000 pages)
C4127X	Black toner (EP) cartridge - With 'Micro-Fine' toner - Has maximum capacity toner (Prints approximately 10,000 pages)

Cleaning Supplies

5090-3379	Toner cleaning cloth - Specially treated cloth for absorbing toner (1 per package) - Ideal for cleaning up toner spills
-----------	---

Cover

C4232-60101	Dust cover
C4232A	Dust Cover - Used on Models With Standard 1X500 Paper Trays
C4233-60101	Dust cover
C4233A	Dust Cover - Used on Models With Standard 2X250 Paper Trays
C4234-60101	Dust cover
C4234A	Dust Cover - Used when optional 500 sheet feeder is added to standard LJ4000/4050/4100 with 1x500 or 2x250 paper trays

Kit

C4118-67905	Self paced training kit for laser jet 4000 family - Includes NTSC format video (VHS) and five student guides
C4118-67909	Maintenance kit (120V) - Includes fuser assembly, three feed/separation rollers, transfer roller, pickup roller and instruction manual
C4118-67910	Maintenance kit (240V) - Includes fusing assembly, feed/separation roller, transfer roller, tray 1,2,& 3 pick-up rollers and instruction manual
C4118-69001	Maintenance kit (120V) - Includes fusing assembly, transfer roller, six pickup/separation rollers, MP Tray/Tray 1 pickup roller and instruction guide REQUIRES RETURN OF DEFECTIVE PART
C4118-67909	<i>New Part for C4118-69001</i>
C4118-69002	Maintenance kit (240V) - Includes fusing assembly, transfer roller, six pickup/separation rollers, MP Tray pickup roller and instruction guide REQUIRES RETURN OF DEFECTIVE PART
C4118-67910	<i>New Part for C4118-69002</i>
C7851A	Maintenance kit (120V) - Includes fuser assembly, three separation rollers, transfer roller, three paper feed rollers, pickup roller and instruction manual
C7852A	Maintenance kit (240V) - Includes fusing assembly, transfer roller, tray 1,2,& 3 pickup/separation rollers and instruction manual

Manual

C4118-91026	LaserJet 4000 series service manual
C4118-91028	Additional self-paced training guides (English) - Pack of 5



Other Accessories

Manual Kit

C4118-99051	LaserJet 4000/4050 series manual bundle - Includes user's manual, 'Getting Started' guide, and pocket quick reference guide (English)
C4118-99052	LaserJet 4000/4050 series manual bundle - Includes user's manual, 'Getting Started' guide, and pocket quick reference guide (French)
C4118-99053	LaserJet 4000/4050 series manual bundle - Includes user's manual, 'Getting Started' guide, and pocket quick reference guide (Italian)
C4118-99054	LaserJet 4000/4050 series manual bundle - Includes user's manual, 'Getting Started' guide, and pocket quick reference guide (German)
C4118-99055	LaserJet 4000/4050 series manual bundle - Includes user's manual, 'Getting Started' guide, and pocket quick reference guide (Spanish)
C4118-99056	LaserJet 4000/4050 series manual bundle - Includes user's manual, 'Getting Started' guide, and pocket quick reference guide (Dutch)
C4118-99057	LaserJet 4000/4050 series manual bundle - Includes user's manual, 'Getting Started' guide, and pocket quick reference guide (Danish)
C4118-99058	LaserJet 4000/4050 series manual bundle - Includes user's manual, 'Getting Started' guide, and pocket quick reference guide (Finnish)
C4118-99059	LaserJet 4000/4050 series manual bundle - Includes user's manual, 'Getting Started' guide, and pocket quick reference guide (Norwegian)
C4118-99060	LaserJet 4000/4050 series manual bundle - Includes user's manual, 'Getting Started' guide, and pocket quick reference guide (Swedish)
C4118-99061	LaserJet 4000/4050 series manual bundle - Includes user's manual, 'Getting Started' guide, and pocket quick reference guide (Portuguese)
C4118-99062	LaserJet 4000/4050 series manual bundle - Includes user's manual, 'Getting Started' guide, and pocket quick reference guide (Polish)
C4118-99063	LaserJet 4000/4050 series manual bundle - Includes user's manual, 'Getting Started' guide, and pocket quick reference guide (Turkish)
C4118-99064	LaserJet 4000/4050 series manual bundle - Includes user's manual, 'Getting Started' guide, and pocket quick reference guide (Traditional Chinese)
C4118-99065	LaserJet 4000/4050 series manual bundle - Includes user's manual, 'Getting Started' guide, and pocket quick reference guide (Korean - Hangul)
C4118-99066	LaserJet 4000/4050 series manual bundle - Includes user's manual, 'Getting Started' guide, and pocket quick reference guide (Russian - Cyrillic)
C4118-99067	LaserJet 4000/4050 series manual bundle - Includes user's manual, 'Getting Started' guide, and pocket quick reference guide (Hungarian)
C4118-99068	LaserJet 4000/4050 series manual bundle - Includes user's manual, 'Getting Started' guide, and pocket quick reference guide (Czechoslovakian)
C4118-99069	LaserJet 4000/4050 series manual bundle - Includes user's manual, 'Getting Started' guide, and pocket quick reference guide (Simplified Chinese)
C4118-99070	LaserJet 4000/4050 series manual bundle - Includes user's manual, 'Getting Started' guide, and pocket quick reference guide (Thai)
C4118-99071	LaserJet 4000/4050 series manual bundle - Includes user's manual, 'Getting Started' guide, and pocket quick reference guide (Arabic)
C4118-99072	LaserJet 4000/4050 series manual bundle - Includes user's manual, 'Getting Started' guide, and pocket quick reference guide (Greek)
C4118-99073	LaserJet 4000/4050 series manual bundle - Includes user's manual, 'Getting Started' guide, and pocket quick reference guide (Hebrew)
C4118-99074	LaserJet 4000/4050 series manual bundle - Includes user's manual, 'Getting Started' guide, and pocket quick reference guide (Japanese)

Software

C6072-60301	HP-GL/2 driver software for AutoCAD - For DOS and Windows 3.1/95/NT 4.0 - On 3.5-inch 1.44MB floppy disks (English)
C6072-60304	HP-GL/2 driver software for AutoCAD - For DOS and Windows 3.1/95/NT 4.0 - On 3.5-inch 1.44MB floppy disks (German)



Other Accessories

Software

- C6072-60305 HP-GL/2 driver software for AutoCAD - For DOS and Windows 3.1/95/NT 4.0 - On 3.5-inch 1.44MB floppy disks (French)
- C6072-60306 HP-GL/2 driver software for AutoCAD - For DOS and Windows 3.1/95/NT 4.0 - On 3.5-inch 1.44MB floppy disks (Spanish)
- C6072-60307 HP-GL/2 driver software for AutoCAD - For DOS and Windows 3.1/95/NT 4.0 - On 3.5-inch 1.44MB floppy disks (Italian)

Training Kit

- C4118-61101 Self-paced training kit for LaserJet 4000 - Includes NTSC video, service manual bundle, user manual bundle, and five additional student guides

Transparency Adapter

- C4125A HP LaserJet 4000/4000N Series universal paper tray - Letter to A5 size paper - This is the 500 sheet removeable tray ONLY - NOT the feeder assembly

Tray

- C3122A 500 sheet tray - Letter/legal/A4 sizes - Paper cassette
- C4124A HP LaserJet 4000/N/T/TN 500 Sheet feeder with universal paper tray - Holds up to 500 sheets of paper from A5 size to legal size paper
- C8055A *New Part for C4124A*
- C4126A HP LaserJet 4000T/4000TN Series universal paper tray - Letter, legal, Executive - Holds 250 sheets - This is the removeable tray/cassette only

Paper Path Parts

Arm

- 216 RG5-2650-000CN Delivery sensor arm assembly

Belt

- 217 RB1-8668-030CN Feed guide drive belt - Small belt approximately 5/16 inch wide with 'A' shaped ribs on it

Feed Assembly

- 218 RG5-2651-090CN Paper feed assembly

Guide

- 219 RG5-2643-020CN Paper feed guide assembly

Kit

- H3969-60001 Paper path roller kit - Includes pickup rollers (8 each), Feed/Separation rollers (4 each) and Tray 1 pickup roller (1 each) - Installation procedure requires use of service manual

Pad

- 221 RG5-5281-020CN Separation pad for Tray 1 pickup assembly

Paper Output Unit

- 222 RG5-2648-110CN Paper delivery assembly

Roller

- 223 RG5-4283-000CN Transfer roller assembly

Roller Assembly

- 224 RG5-2652-070CN Registration assembly

Shaft

- 225 RB1-8674-000CN Belt drive shaft

Pickup Drive Assembly

Arm

- 226 RB1-8879-000CN Paper tray sensing arm



Pickup Drive Assembly

Coupler

227 C4119-67902 Coupler kit - Contains pickup roller coupler, four paper tray load limit clips and installation instruction sheet

Hook

228 RB1-2190-000CN Pick-up roller spring hook

Roller

229 RF5-1885-000CN Feed/separation roller - Roller is gray with blue tab protruding out one side

230 RF5-2484-000CN Pickup roller assembly

Spring

231 RS5-2632-000CN Tension spring - Provides tension for pickup roller

Print to Mail Parts

Base

232 C7833-40014 Mail base - Base that the print to mail unit sits on

Power Module

233 C7833-60102 Power supply module for the Print to Mail accessory - 100-240VAC input, 50-60Hz - 24VDC output, 2.7A, 65 watts - Includes detachable AC power cord for use in North America (flat blade, polarized, ungrounded)

Tray

234 C7833-40012 Upper fold chute - Tray on top of print to mail unit

235 C7833-40013 Lower fold chute - Tray below output bin/exit tray of print to mail accessory

236 C7833-40015 Exit tray - Mail output bin for print to mail accessory

Printer Drive Assembly

Actuator

237 RB1-8756-000CN Toner cartridge drive rod

Drive Assembly

238 RG5-2653-020CN Print drive gear assembly

Guide

239 RB1-8757-000CN Gear assembly plate cable guide

Top Cover Assembly

Control Panel

240 RG5-5372-050CN Control panel - Does not include overlay

Cover

241 RB1-8710-000CN Plate cover

242 RG5-2663-090CN Top cover assembly - Does not include control panel

Latch

243 RB1-8846-000CN Rear output tray - Drop down release latch

Overlay

244 C4118-40002 LaserJet 4000 control panel overlay (English)

245 C4118-40007 LaserJet 4000 control panel overlay (French)

246 C4118-40008 LaserJet 4000 control panel overlay (Italian)

247 C4118-40009 LaserJet 4000 control panel overlay (Portuguese)

248 C4118-40010 LaserJet 4000 control panel overlay (Norwegian)

249 C4118-40011 LaserJet 4000 control panel overlay (Hungarian)

250 C4118-40012 LaserJet 4000 control panel overlay (Swedish)

251 C4118-40013 LaserJet 4000 control panel overlay (Polish)

252 C4118-40014 LaserJet 4000 control panel overlay (Russian)

www.drukparts.pl



Top Cover Assembly

Overlay

253	C4118-40015	LaserJet 4000 control panel overlay (Czechoslovakian)
254	C4118-40017	LaserJet 4000 control panel overlay (Korean)
255	C4118-40018	LaserJet 4000 control panel overlay (Simplified Chinese)
256	C4118-40019	LaserJet 4000 control panel overlay (Traditional Chinese)
257	C4118-40020	LaserJet 4000 control panel overlay (German)
258	C4118-40021	LaserJet 4000 control panel overlay (Spanish)
259	C4118-40022	LaserJet 4000 control panel overlay (Danish)
260	C4118-40023	LaserJet 4000 control panel overlay (Dutch)
261	C4118-40024	LaserJet 4000 control panel overlay (Greek)
262	C4118-40025	LaserJet 4000 control panel overlay (Finnish)
263	C4118-40026	LaserJet 4000 control panel overlay (Turkish)
264	C4118-40027	LaserJet 4000 control panel overlay (Hebrew)
265	C4118-40028	LaserJet 4000 control panel overlay (Arabic)
266	C4118-40029	LaserJet 4000 control panel overlay (Japanese)
267	C4118-40030	LaserJet 4000 control panel overlay (Thailand)

Panel

268	RB1-8841-000CN	Toner cartridge access panel
-----	----------------	------------------------------

Spring

269	RB1-8847-000CN	Rear tray latch release spring
-----	----------------	--------------------------------

Tray 1 Pickup Assembly

Arm

270	RB1-8787-000CN	Tray 1 paper sensor actuator arm NO LONGER SUPPLIED
	RF5-3116-000CN	New Part for RB1-8787-000CN
271	RB2-2387-000CN	Tray 1 retaining arm

Cover

272	RB1-8788-000CN	Tray 1 sensor arm cover NO LONGER SUPPLIED
	RF5-3116-000CN	New Part for RB1-8788-000CN
273	RB2-2386-000CN	Envelope feeder drive cover

Paper Pick-Up

274	RG5-2655-360CN	Tray 1 paper pickup assembly
-----	----------------	------------------------------

Roller

275	RG5-3718-000CN	Tray 1 pickup roller assembly
-----	----------------	-------------------------------

Sensor Mechanism

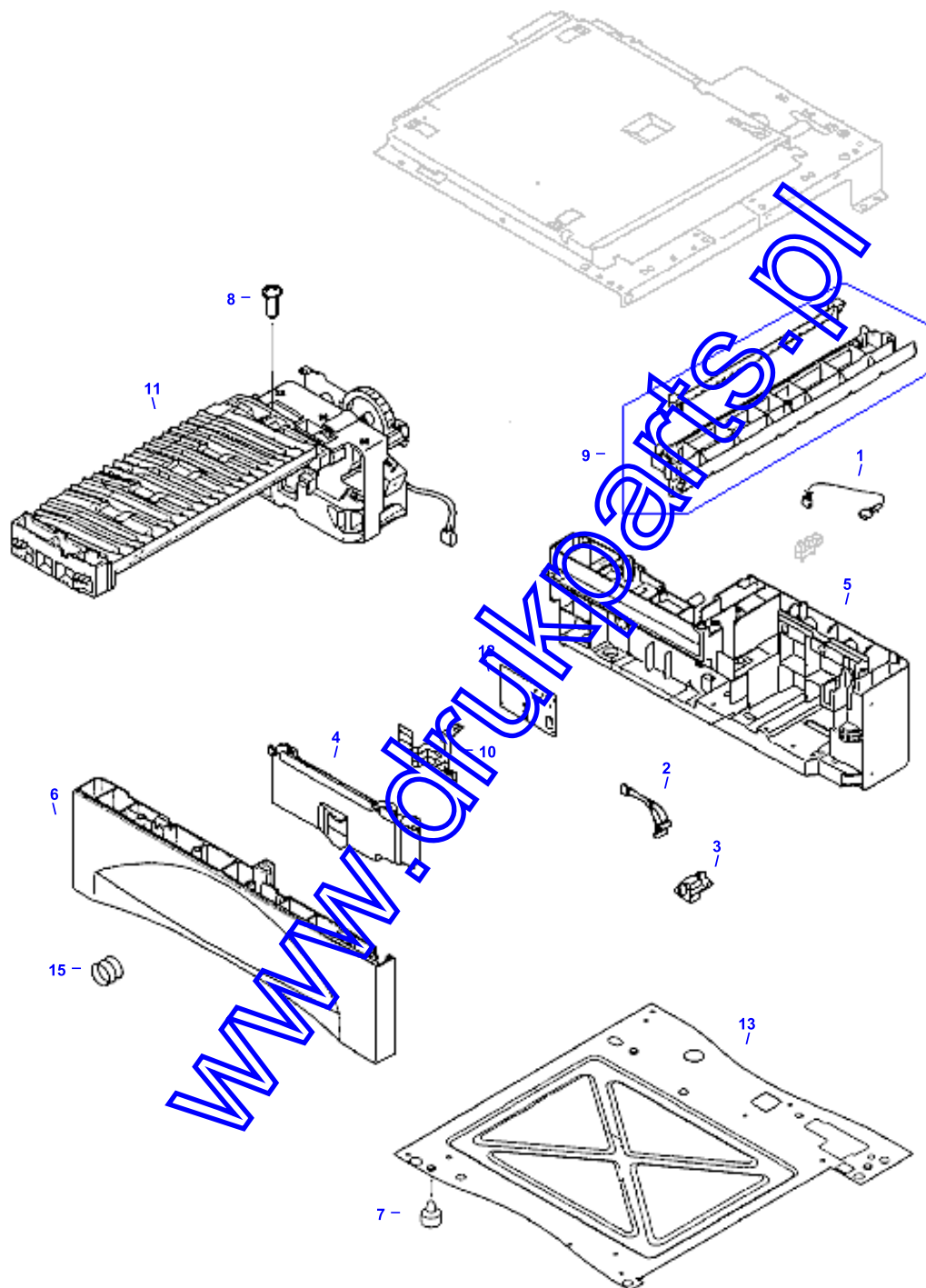
	RF5-3116-000CN	Tray 1 paper sensor actuator arm and cover assembly
--	----------------	---

Solenoid

277	RH7-5172-000CN	Tray 1 paper pickup drive solenoid
-----	----------------	------------------------------------

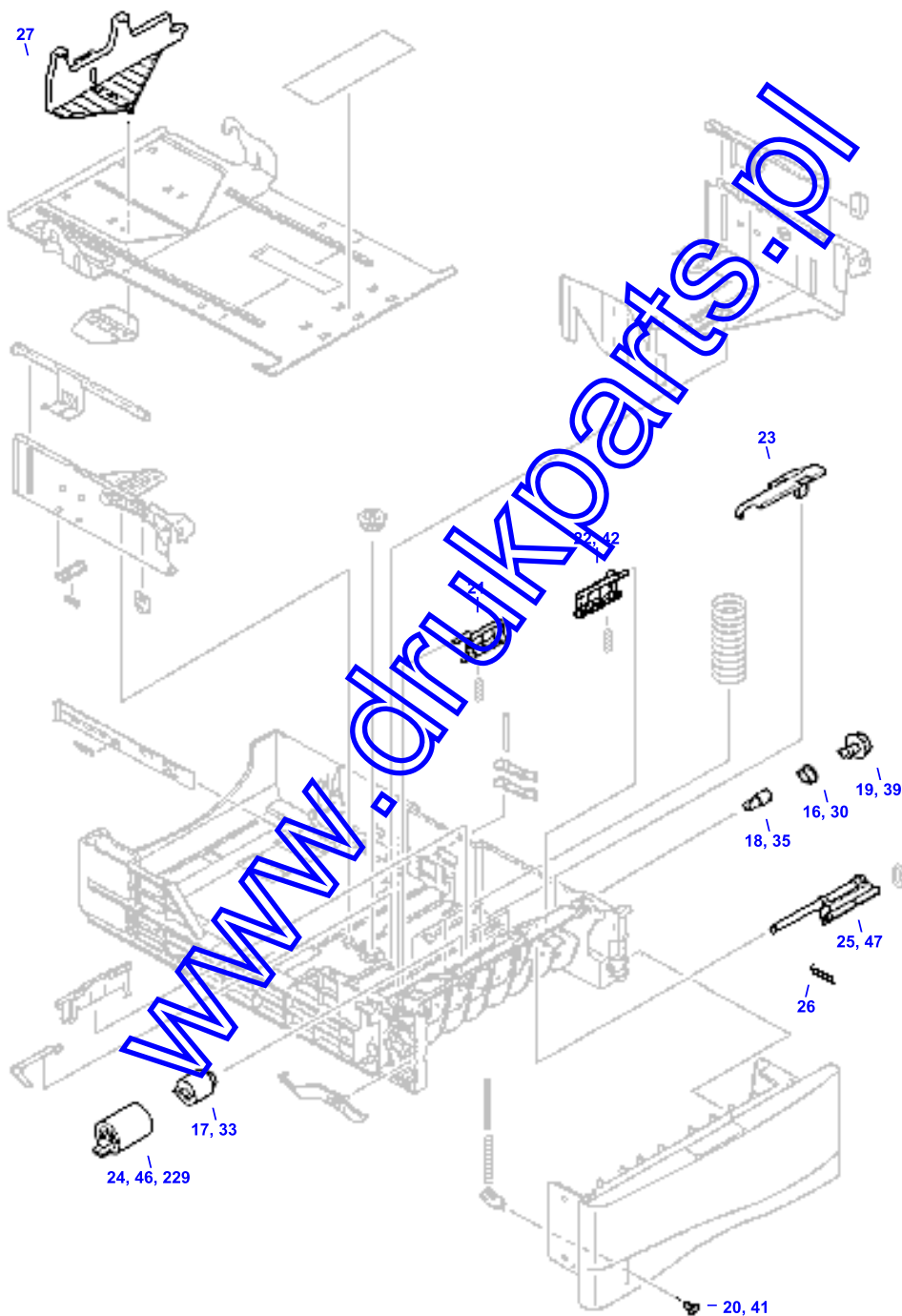
www.drukparts.pl

500 Sheet Feeder

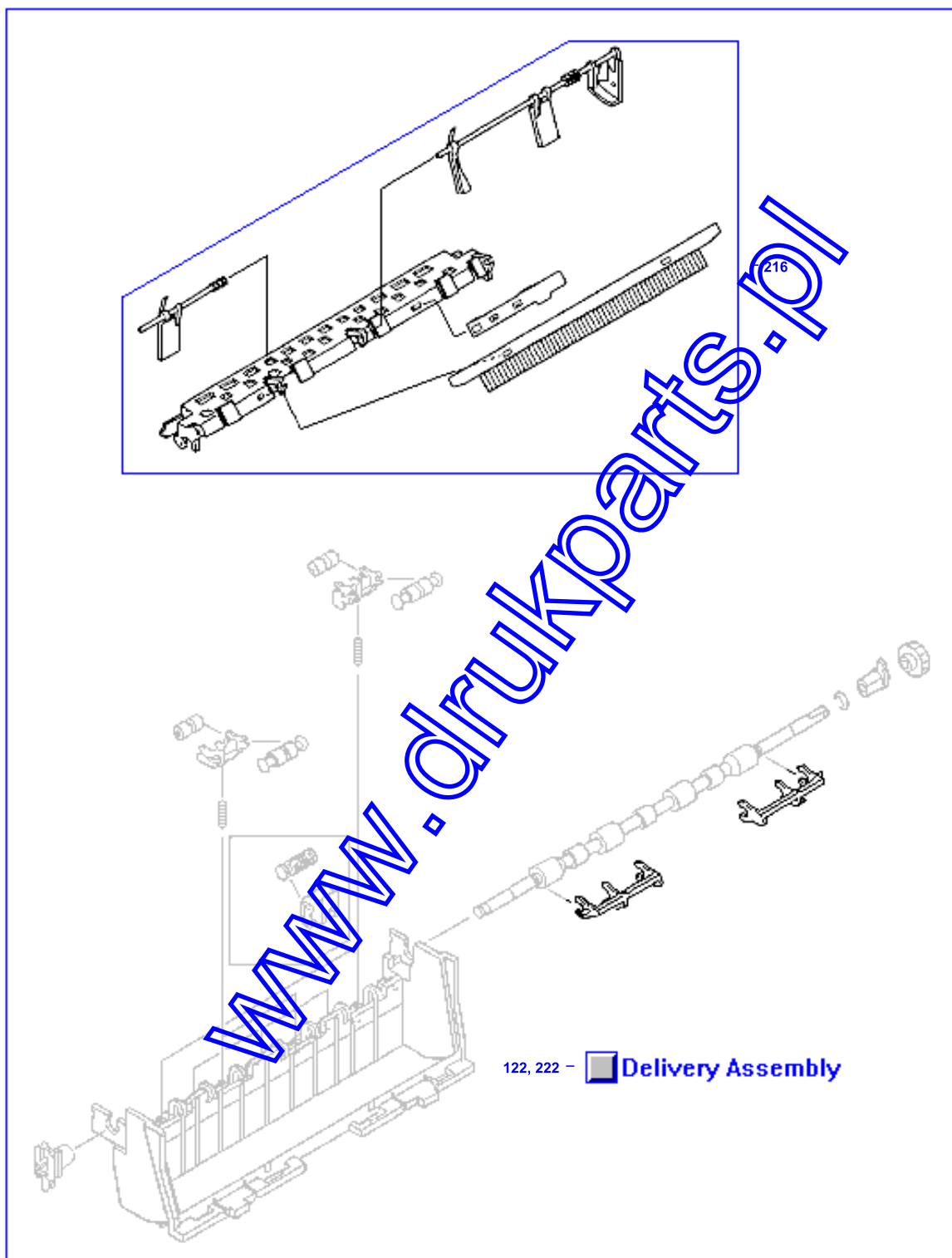


500 Sheet Tray

 500 Sheet Paper Tray Assembly - 28, 52

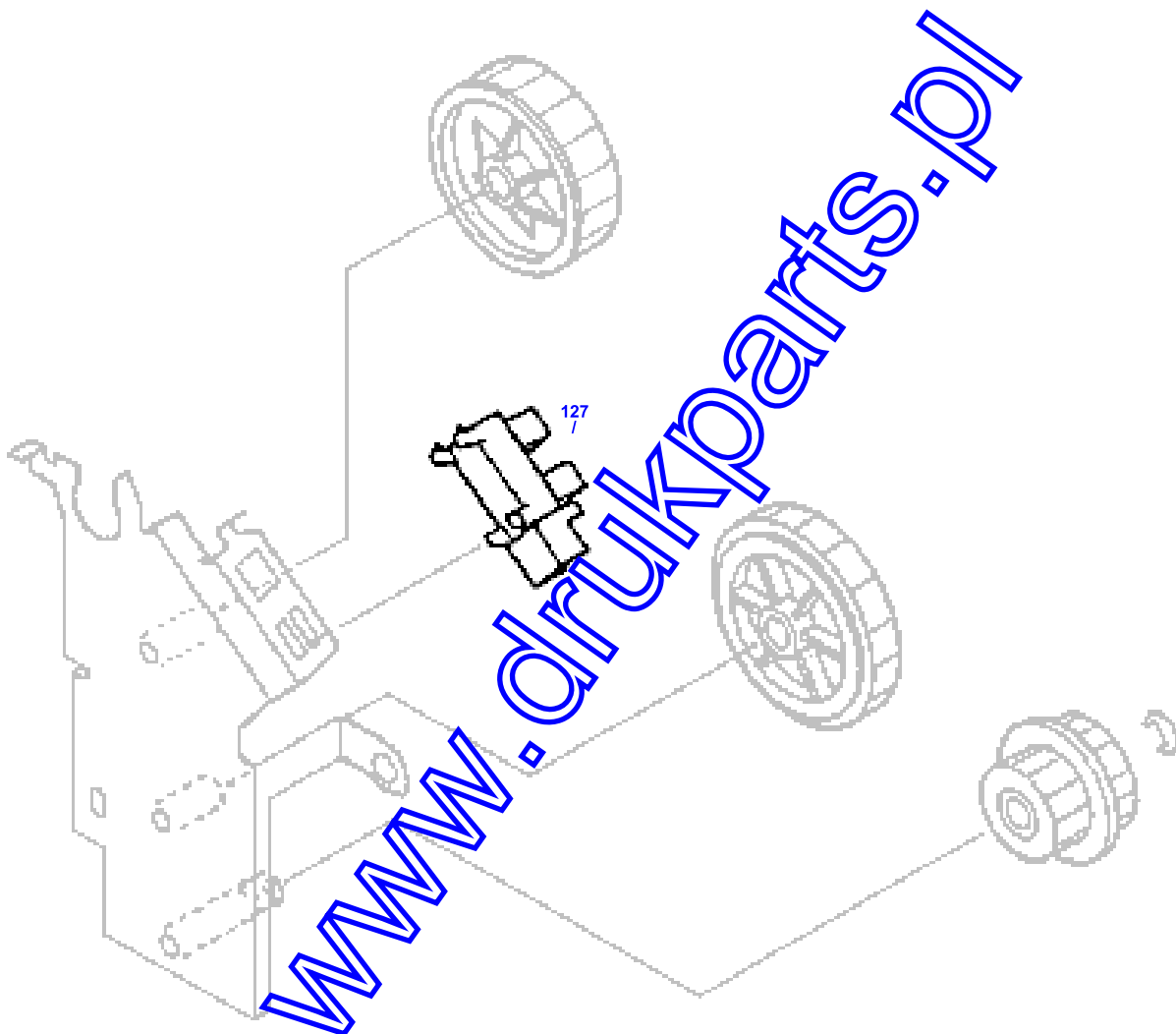


Delivery Assembly



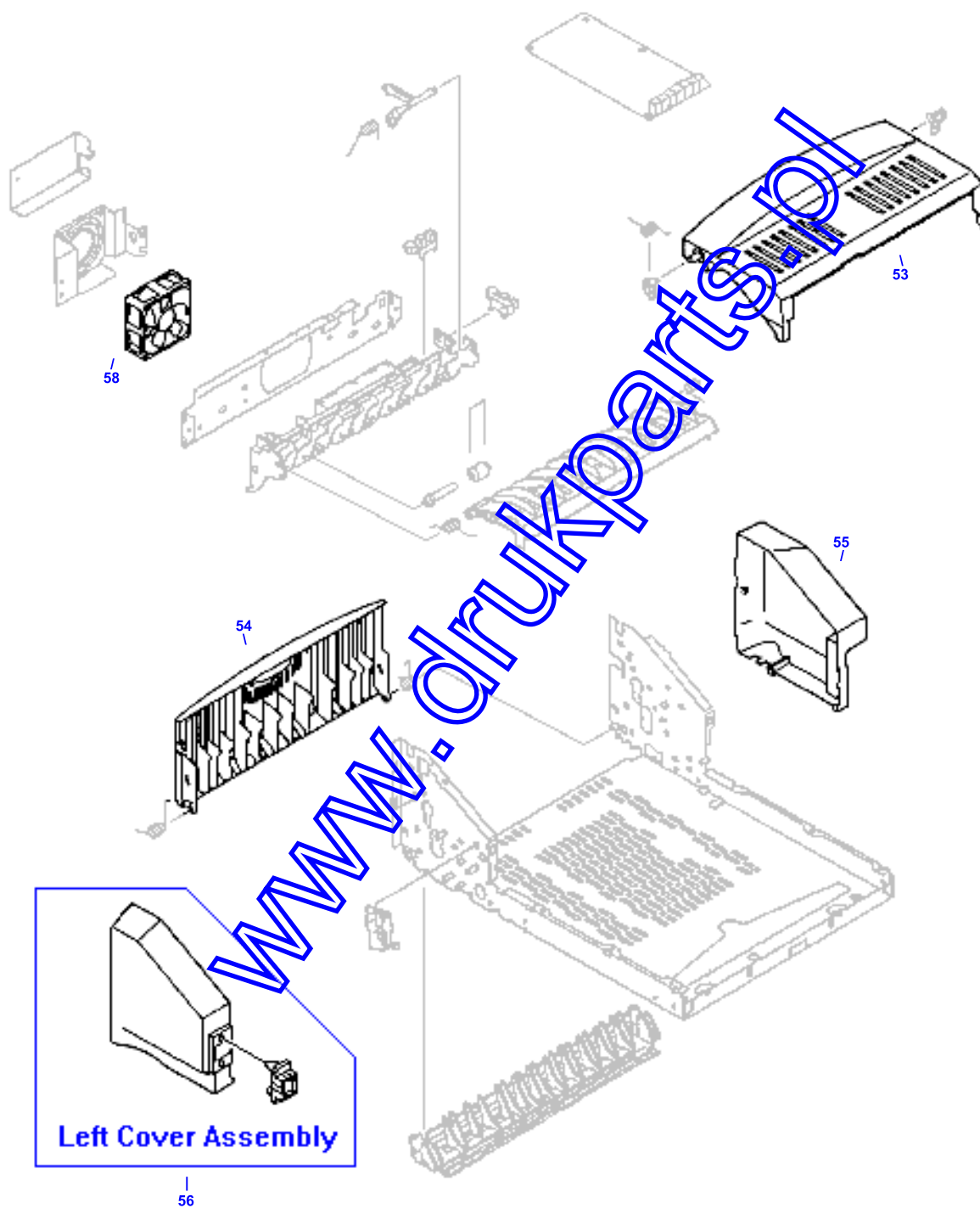
Delivery Drive Assembly

113 -  Delivery Drive Assembly

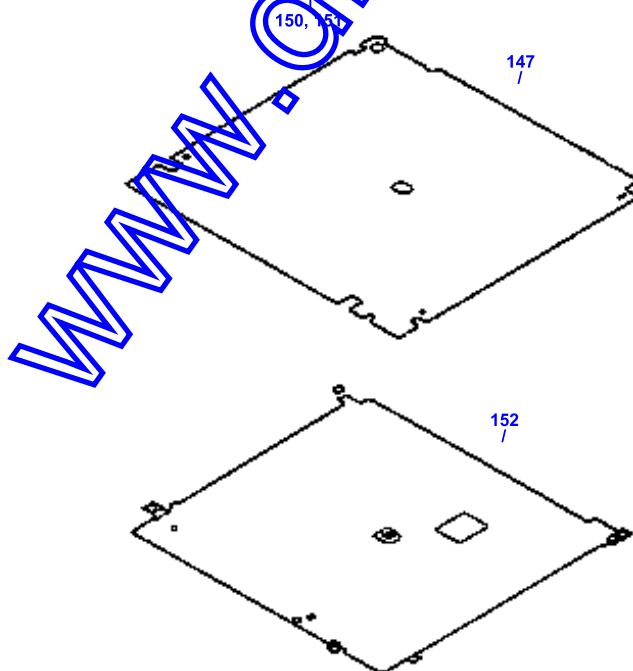
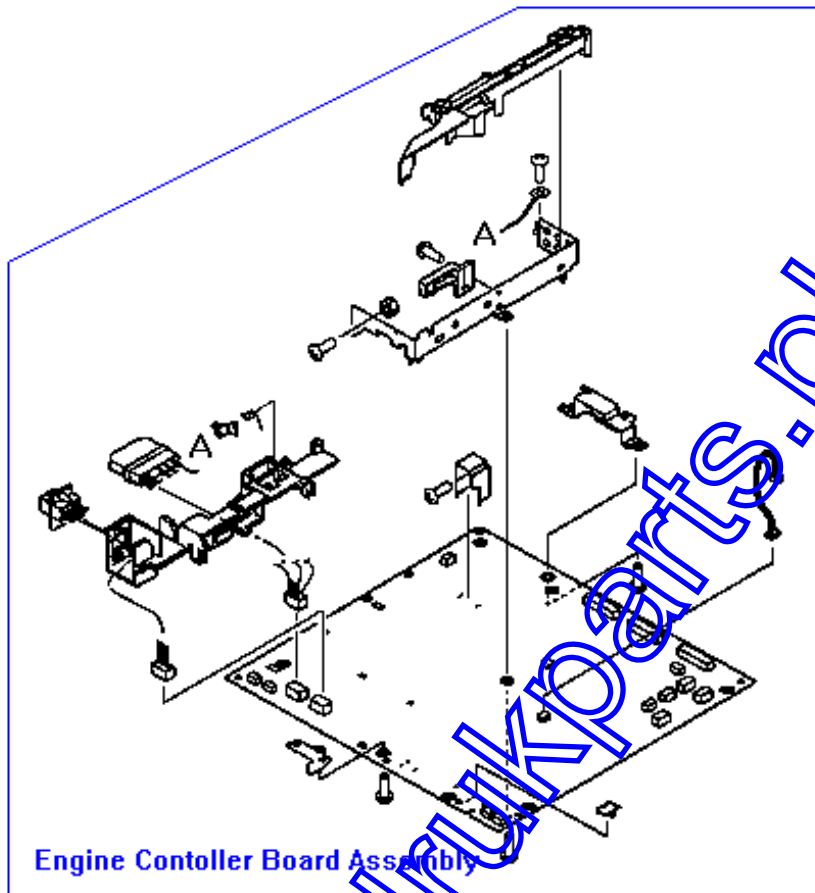


Duplexer Assembly

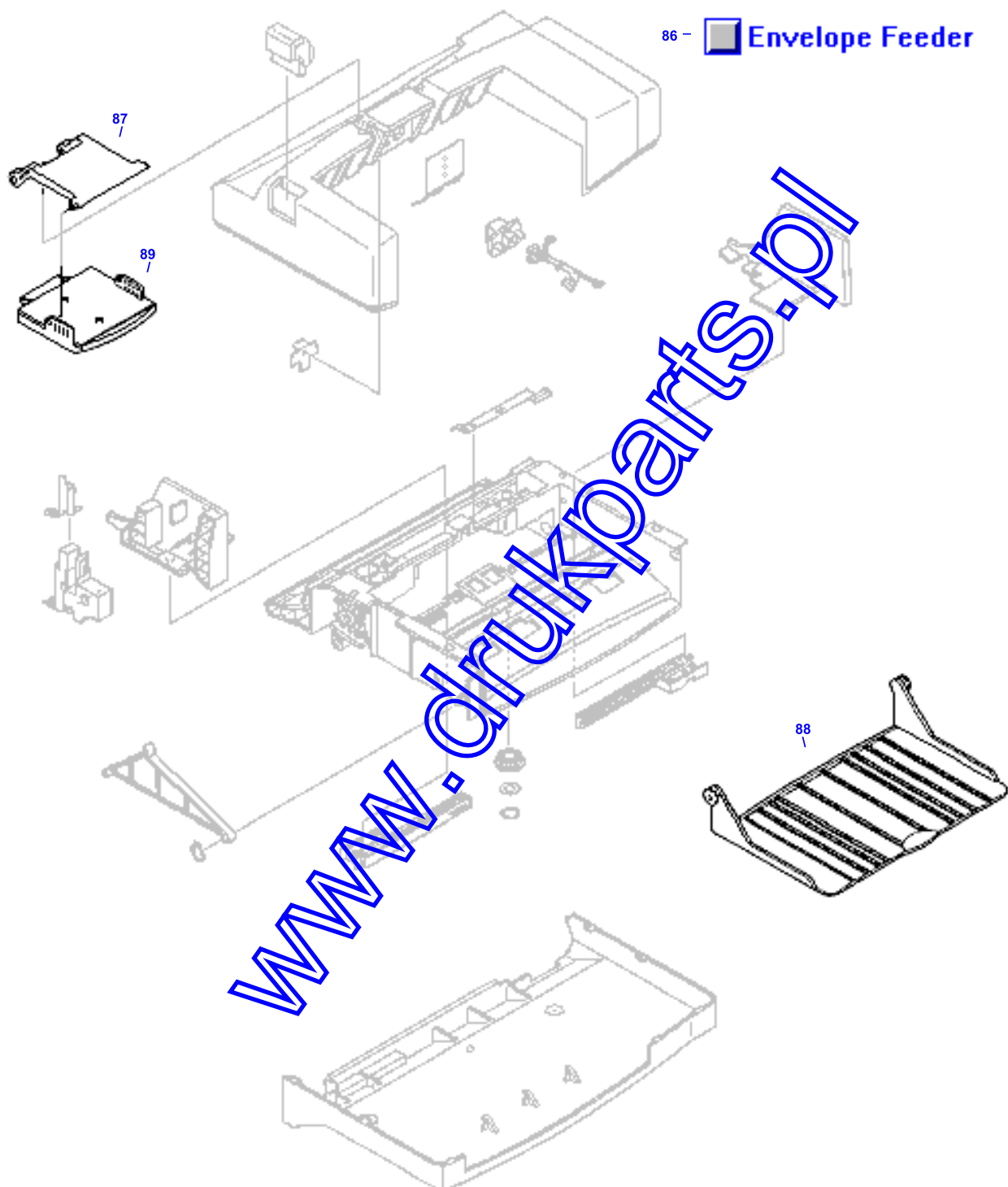
 Duplexer Assembly - 57



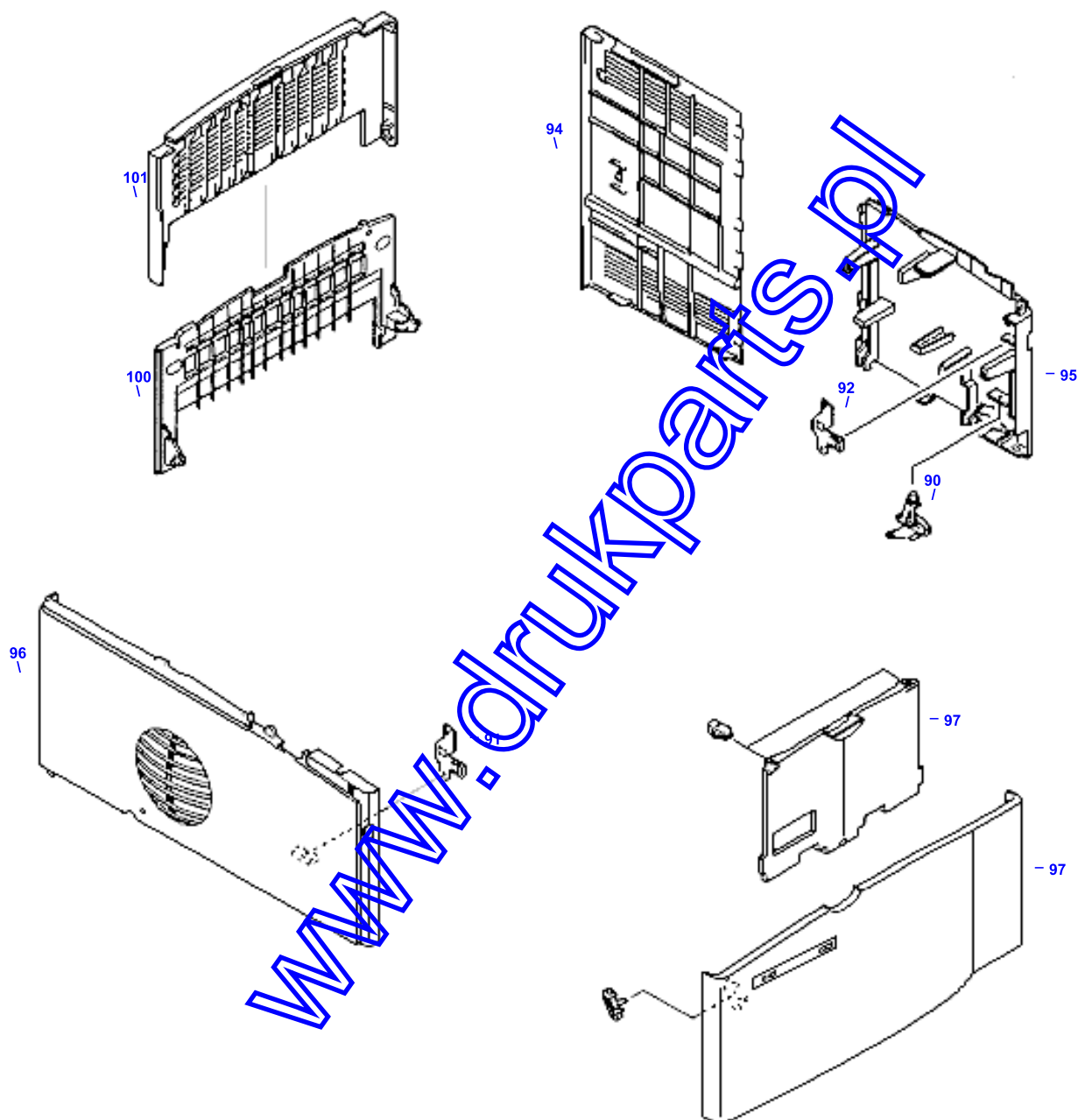
Engine Control Board Assembly



Envelope Feeder

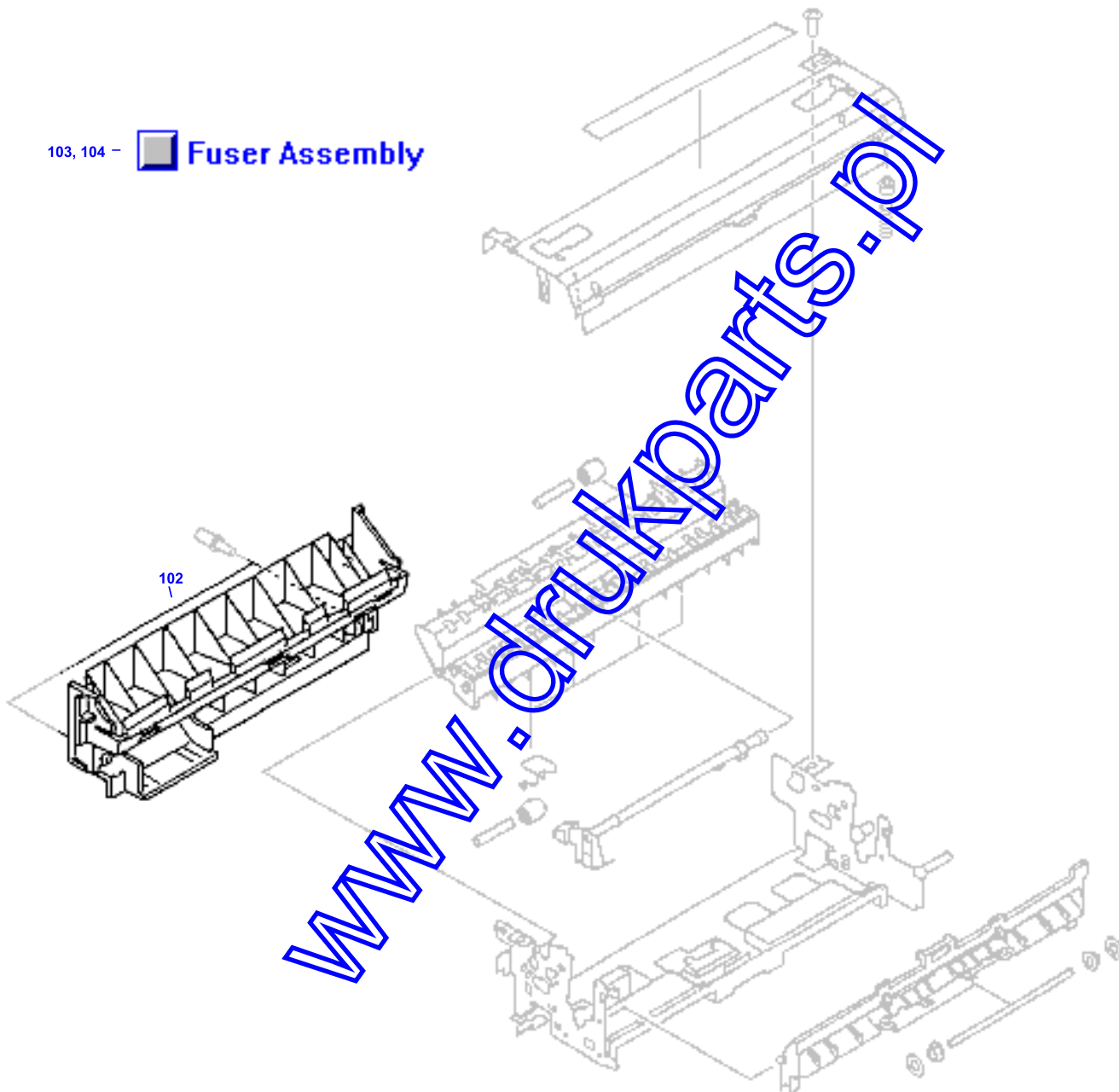


External Covers and Panels

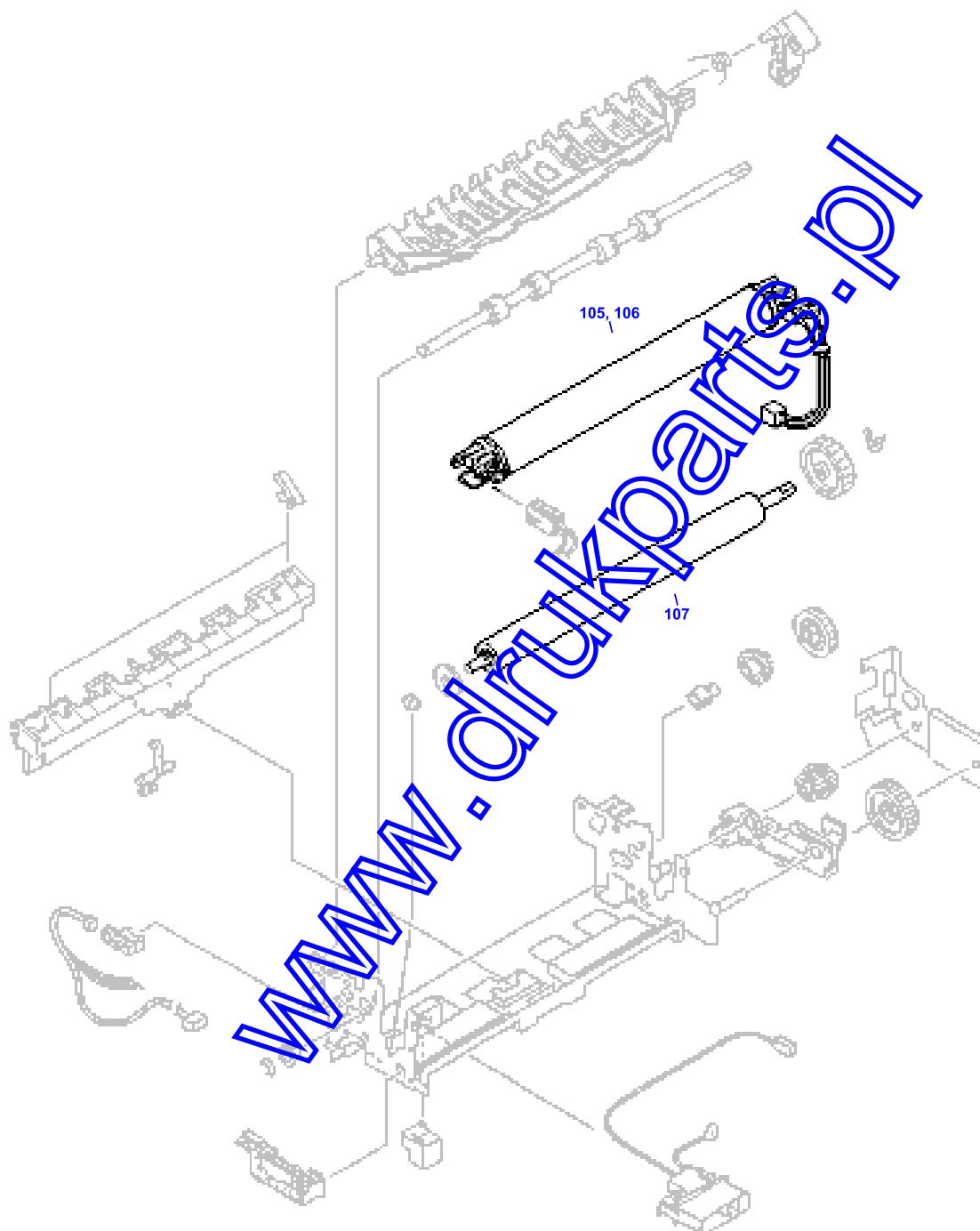


Fuser Assembly (1 of 2)

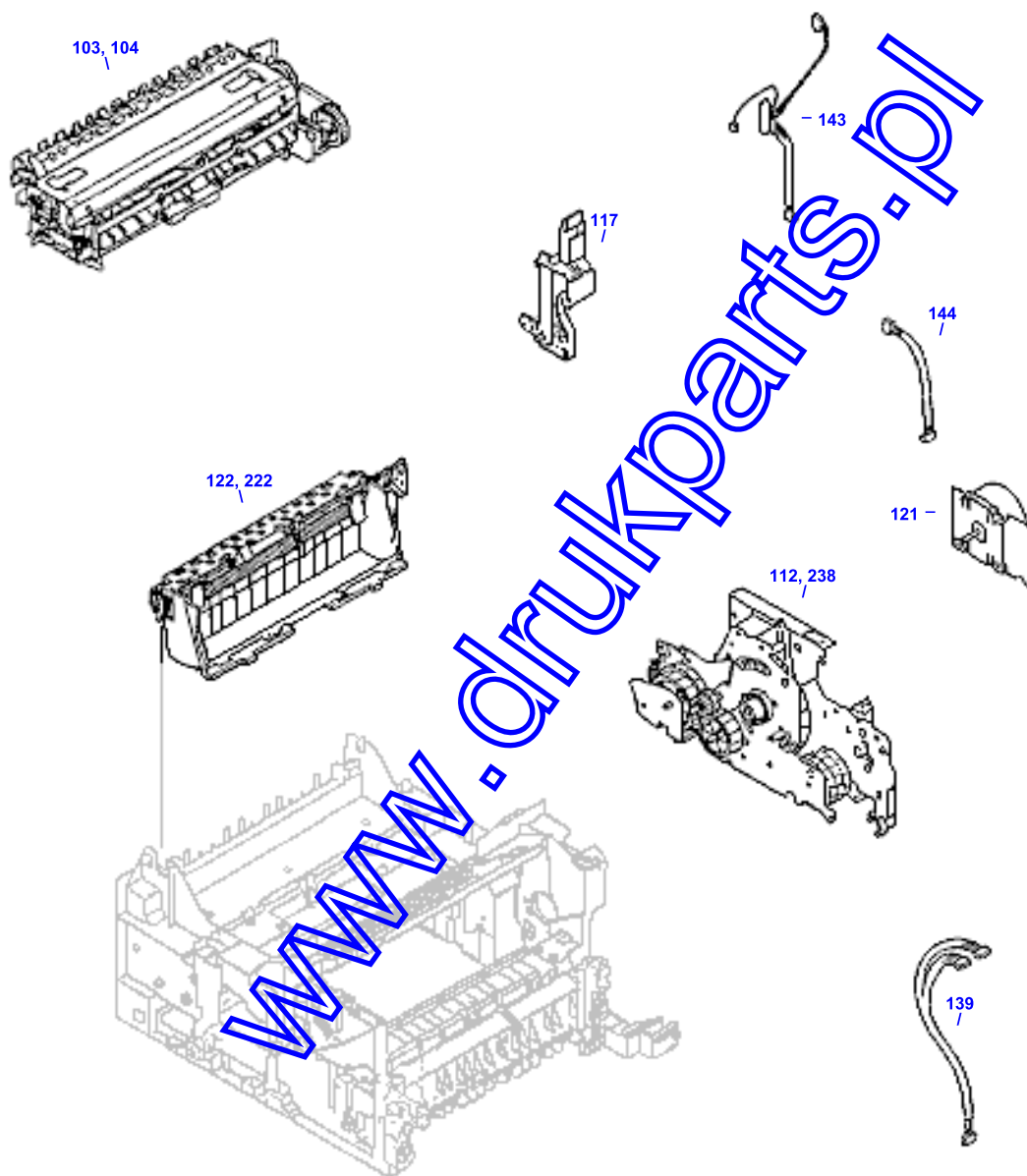
103, 104 -  Fuser Assembly



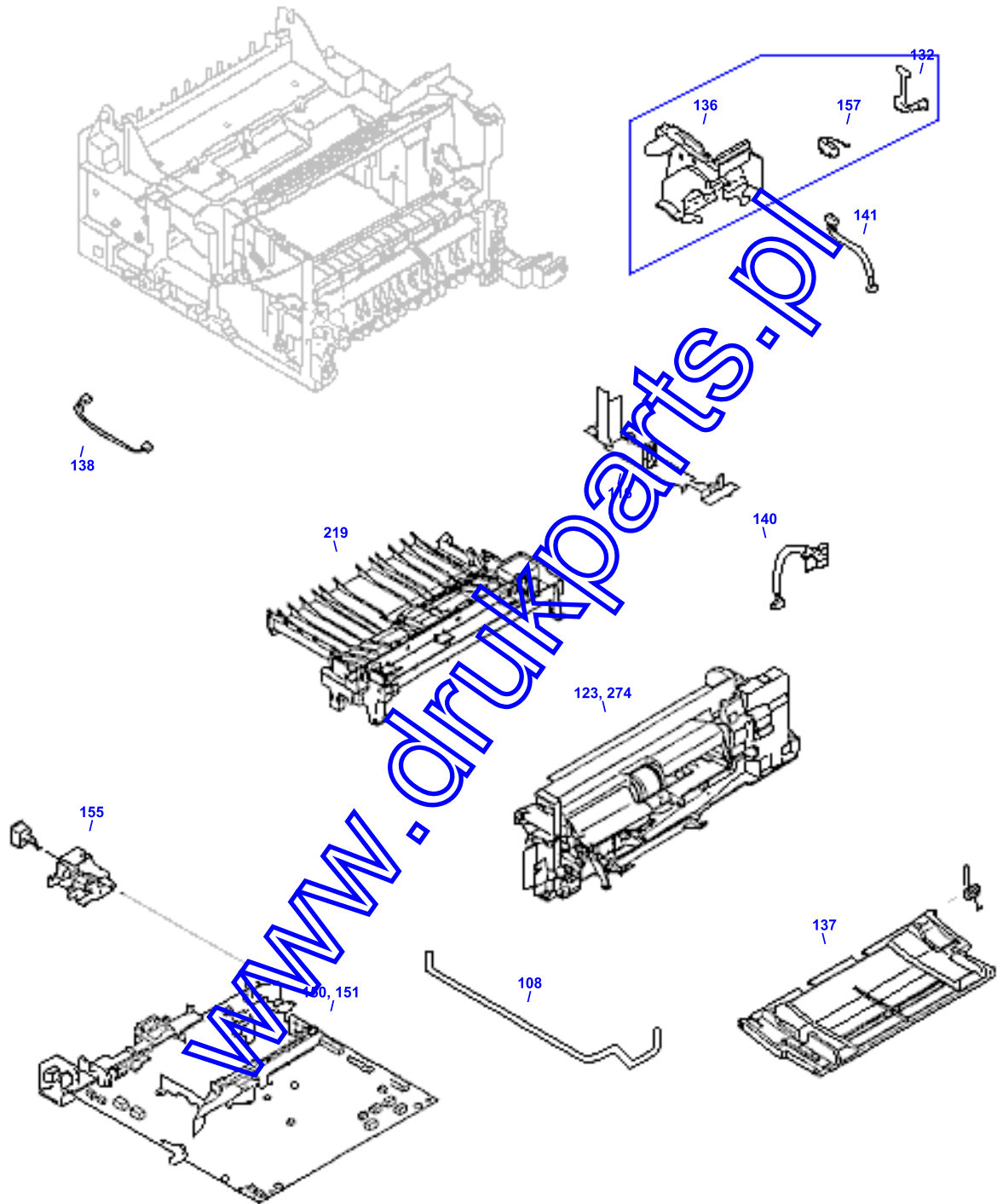
Fuser Assembly (2 of 2)



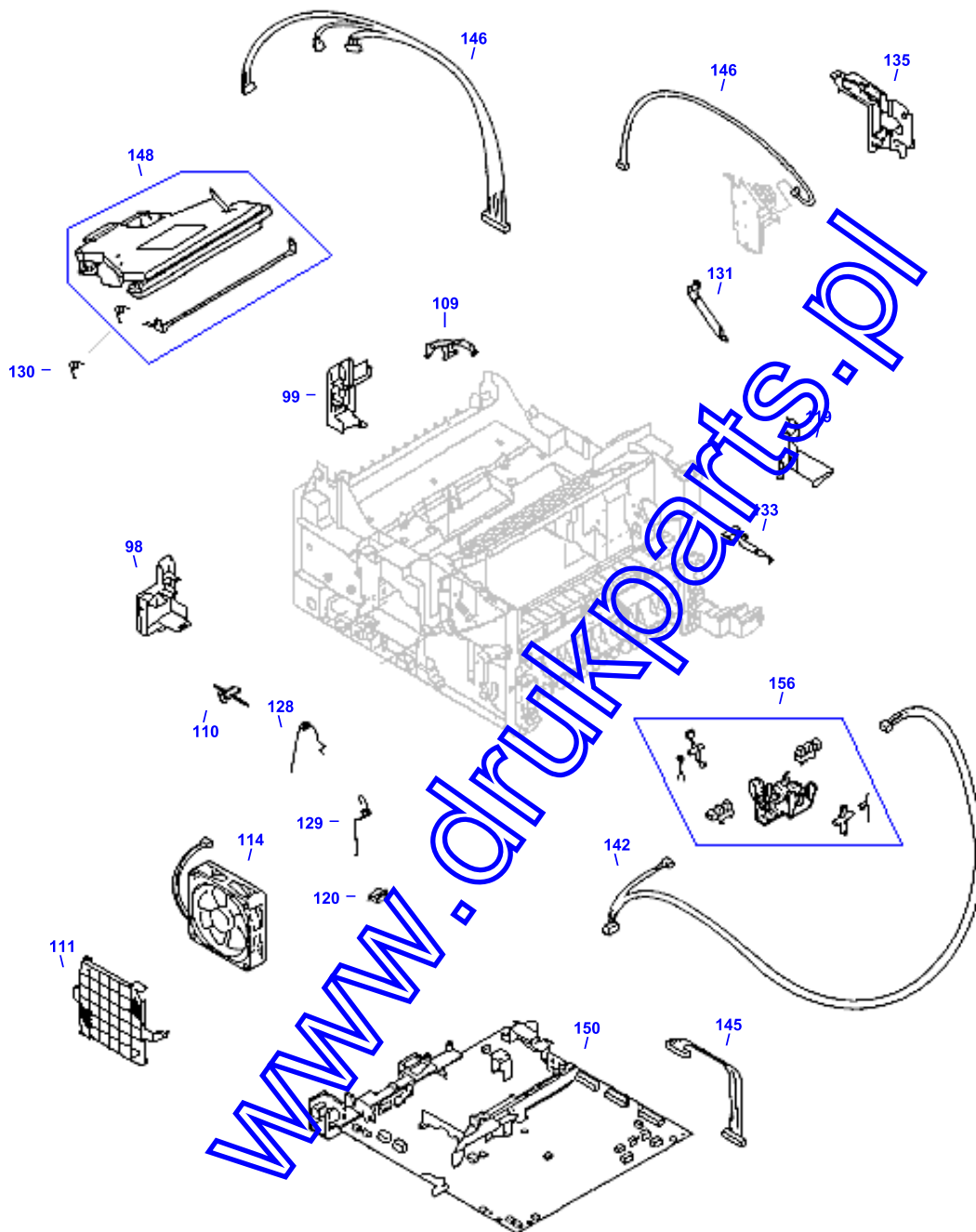
Internal Components (1 of 4)



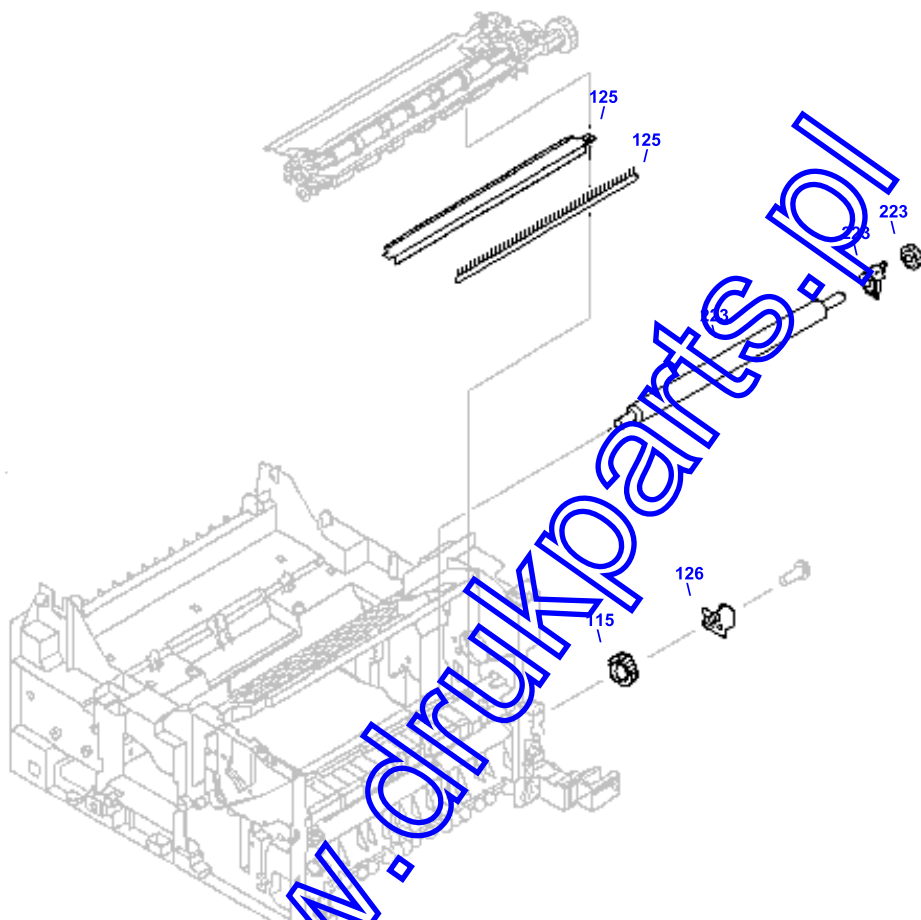
Internal Components (2 of 4)



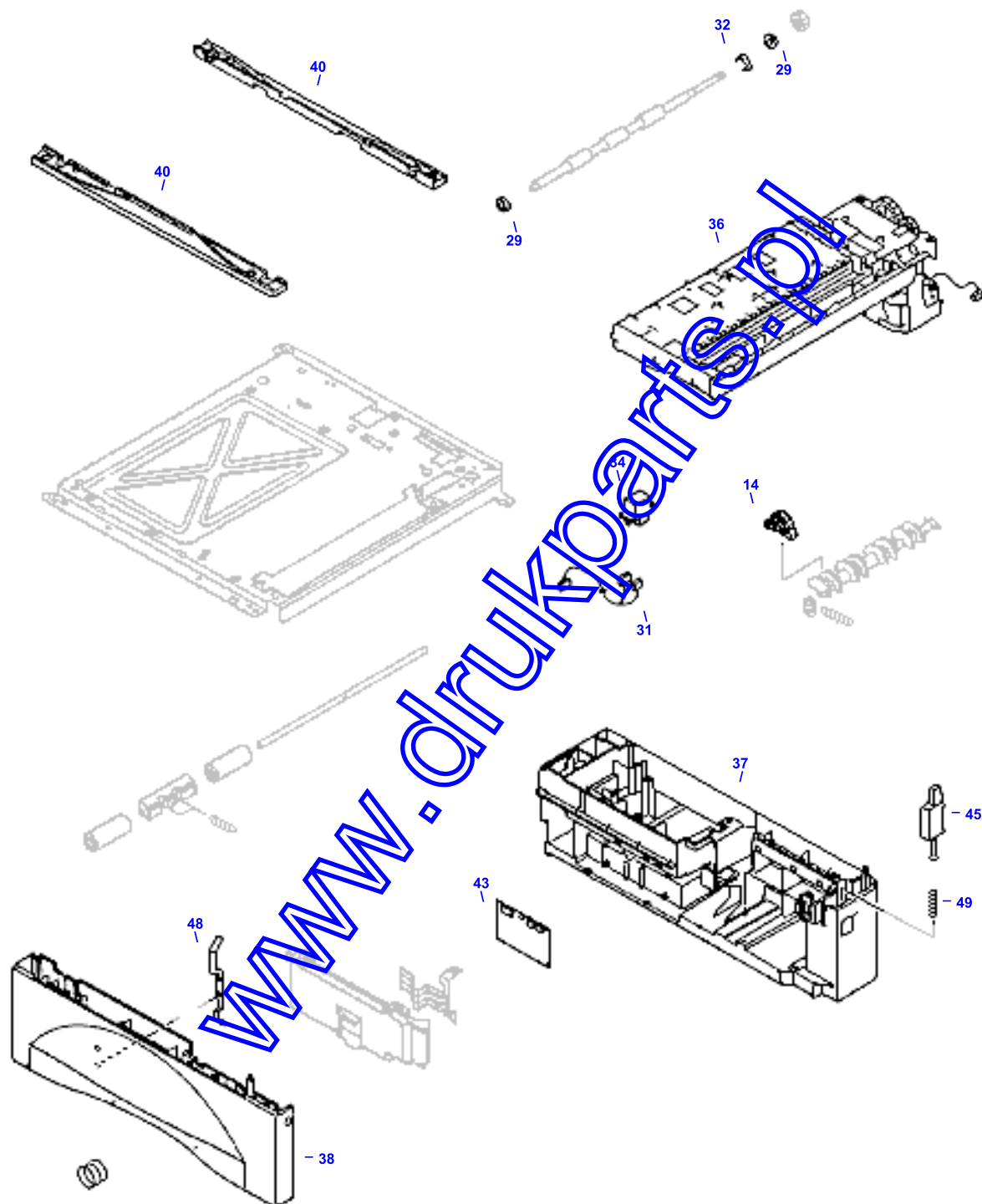
Internal Components (3 of 4)



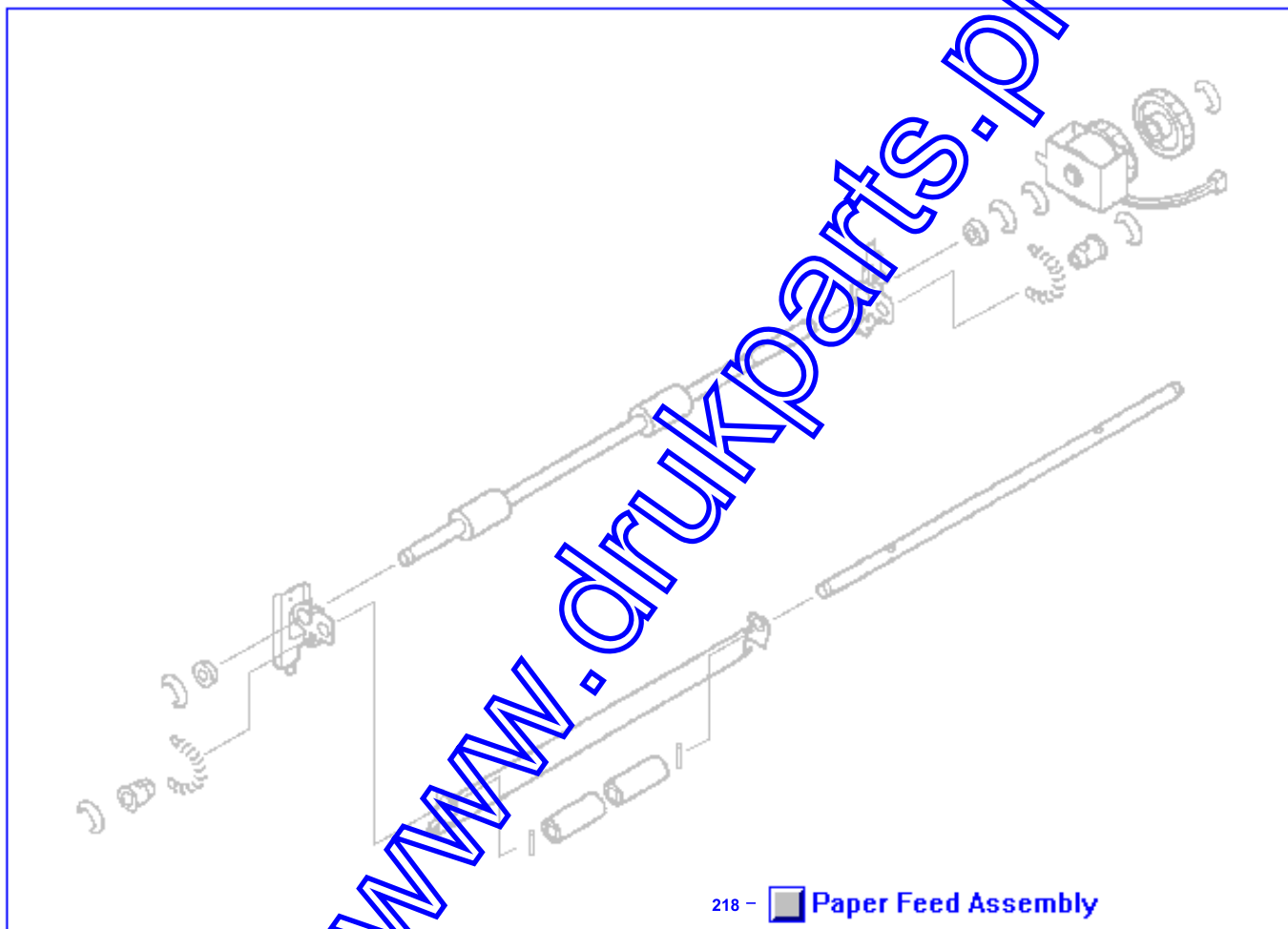
Internal Components (4 of 4)



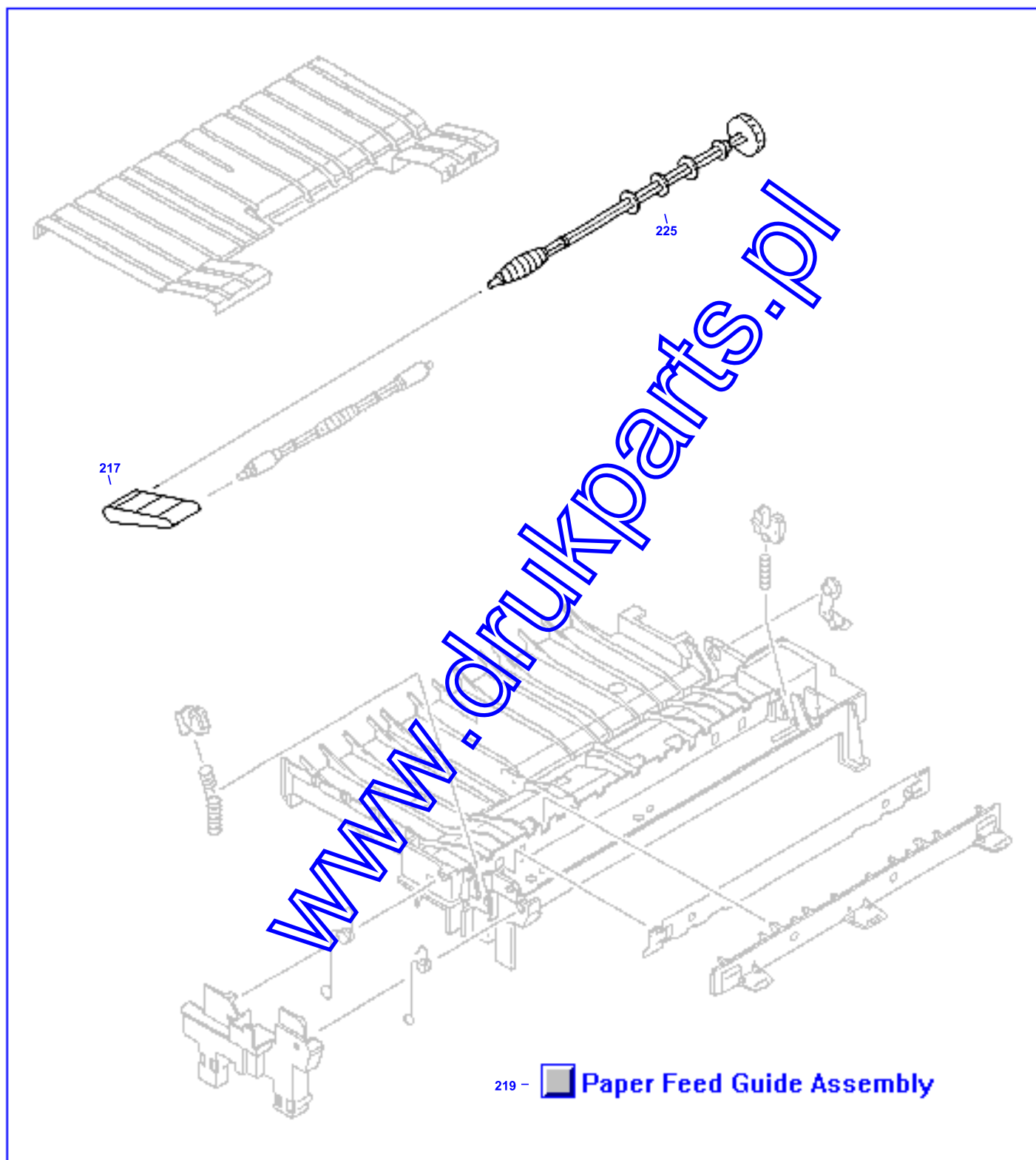
Optional 500 Sheet Feeder



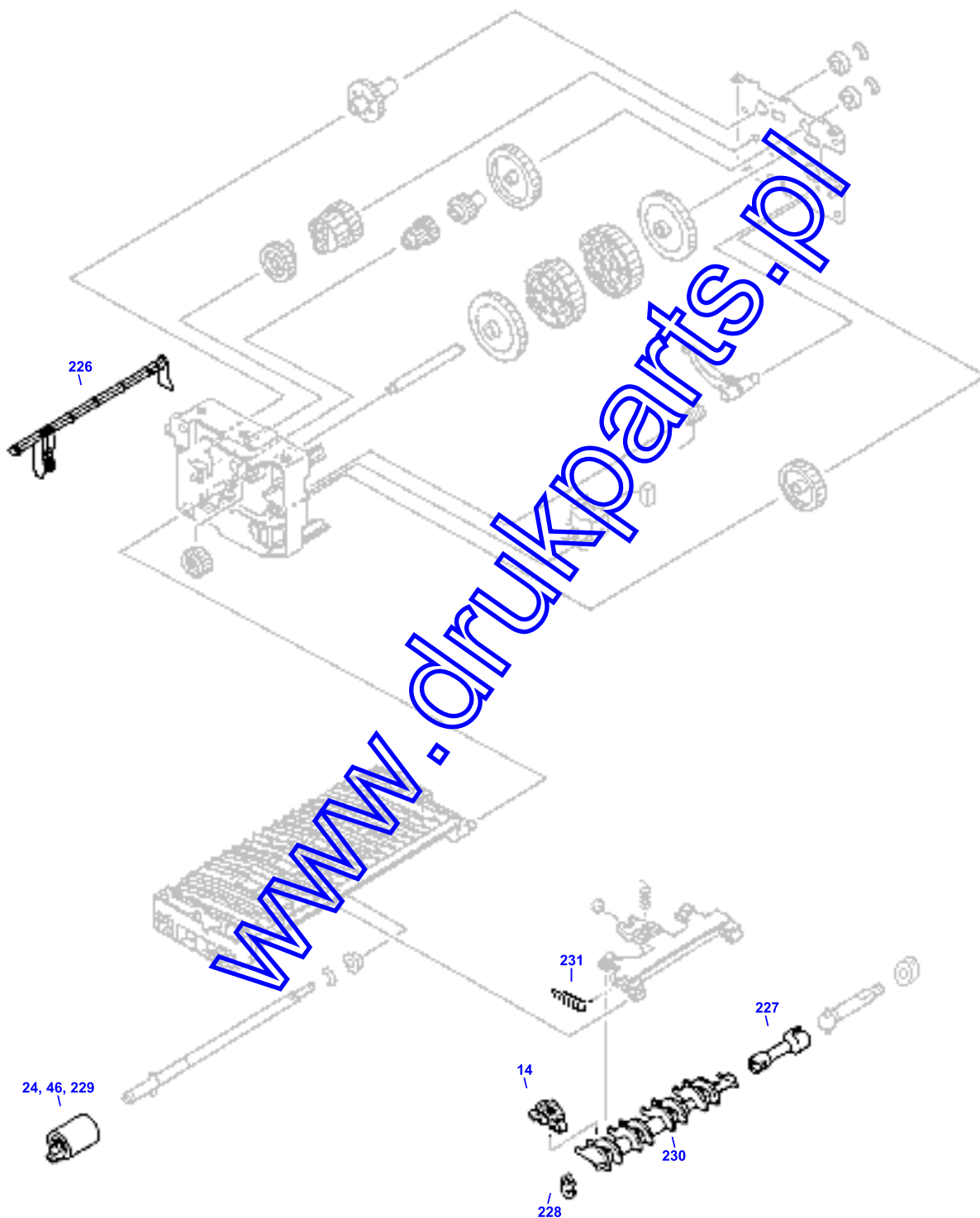
Paper Feed Assembly



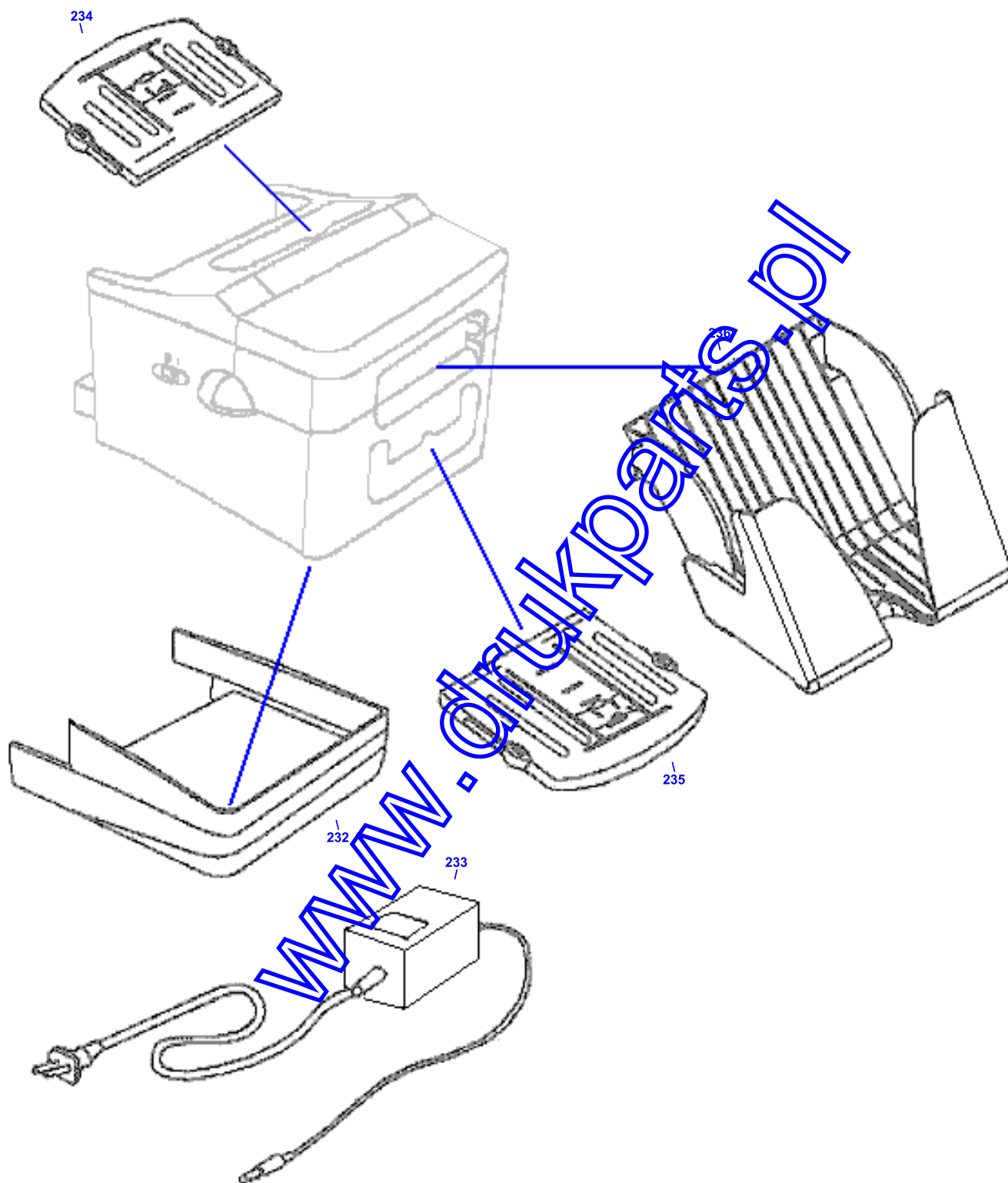
Paper Feed Guide Assembly



Paper Pickup Drive Assembly

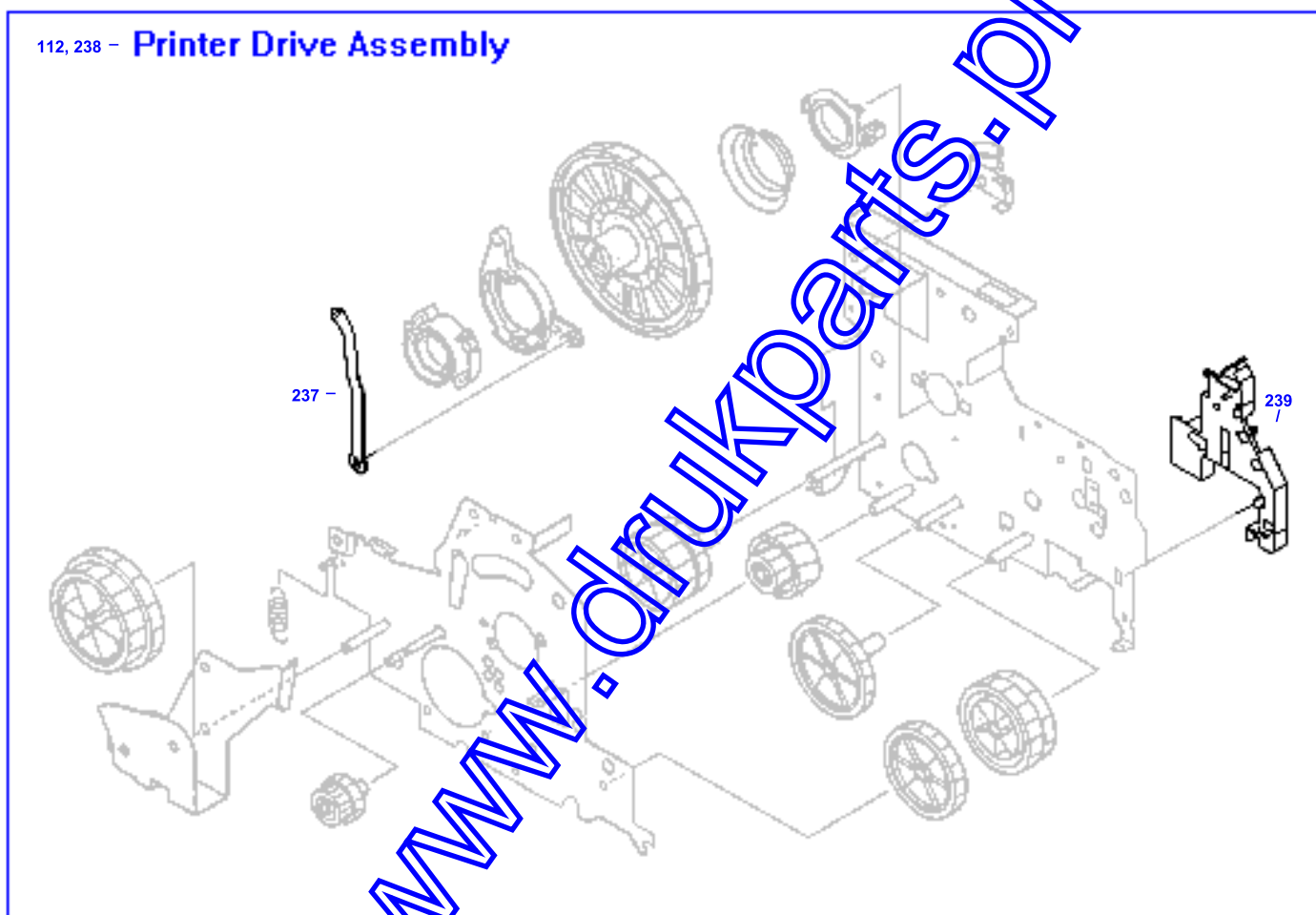


Print to Mail

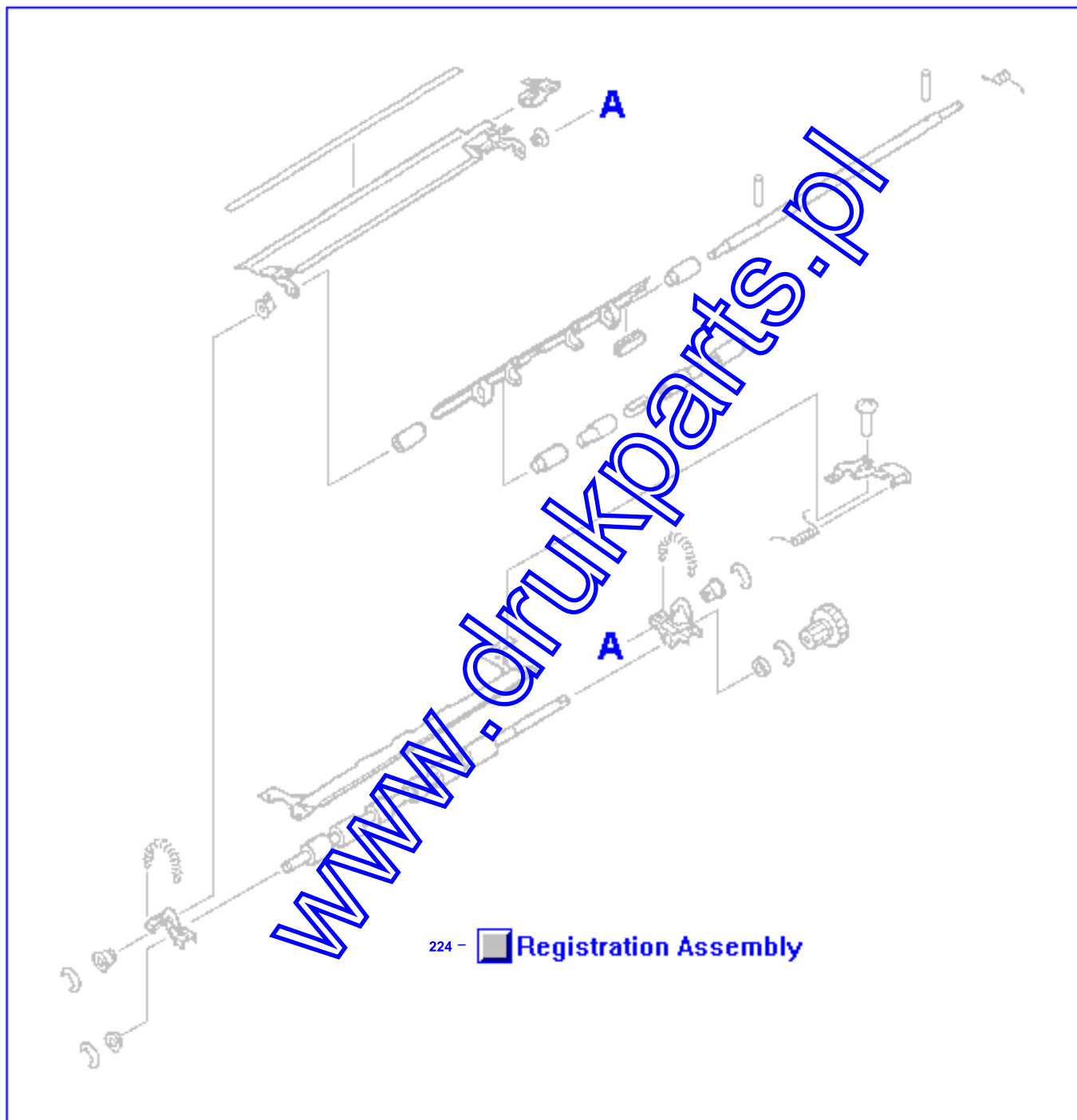


Printer Drive Assembly

112, 238 - Printer Drive Assembly

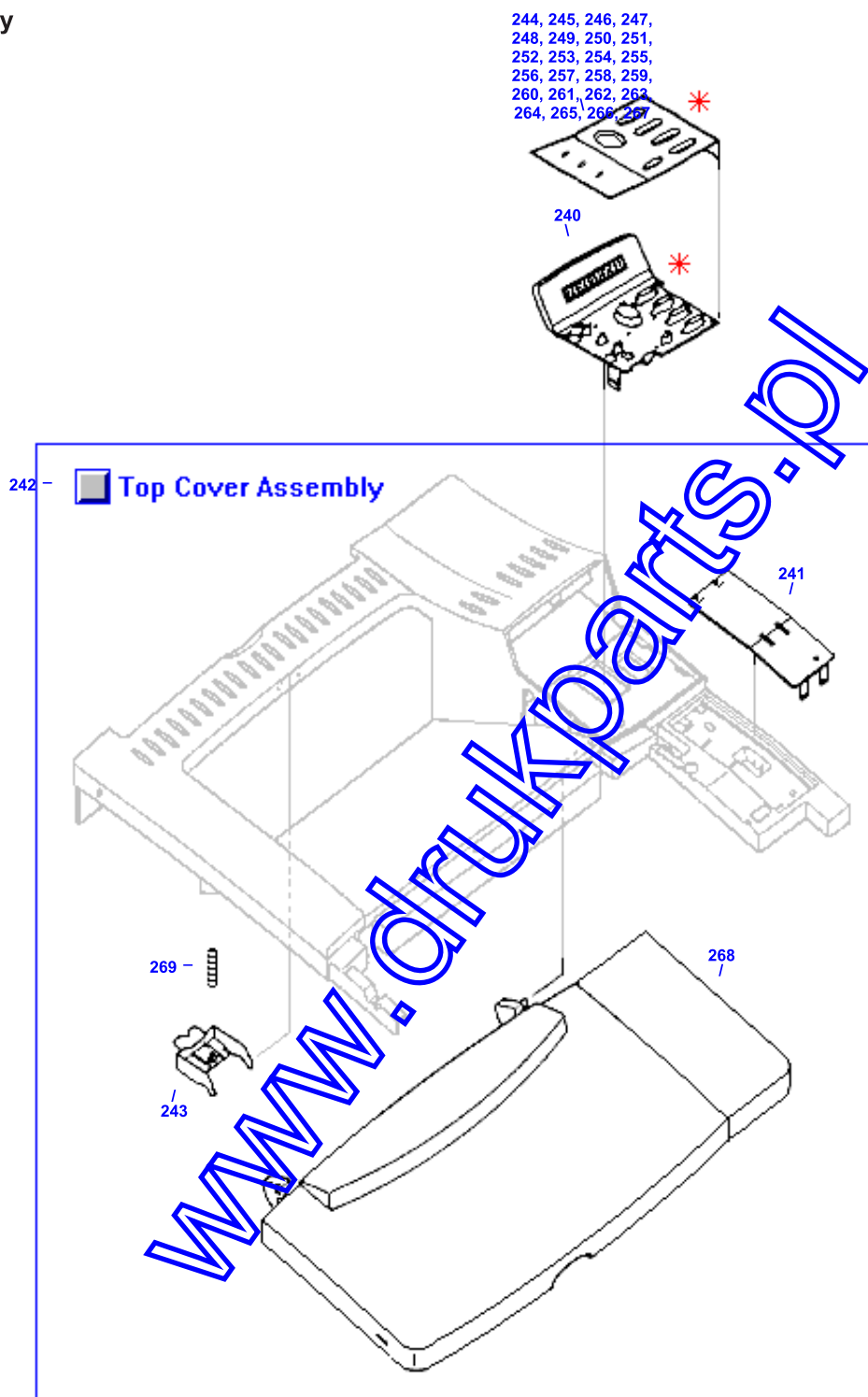


Registration Assembly



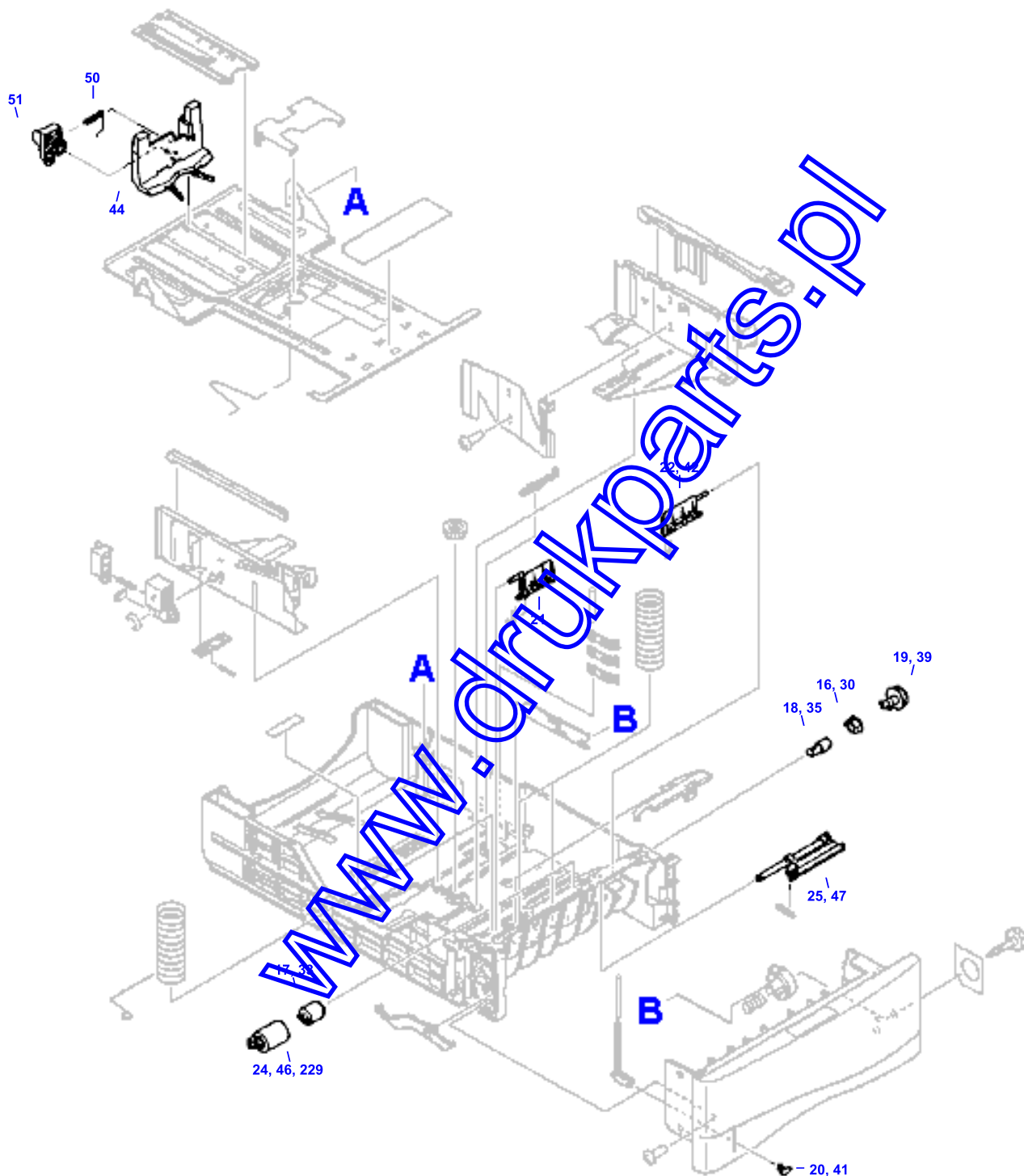
224 -  Registration Assembly

Top Cover Assembly

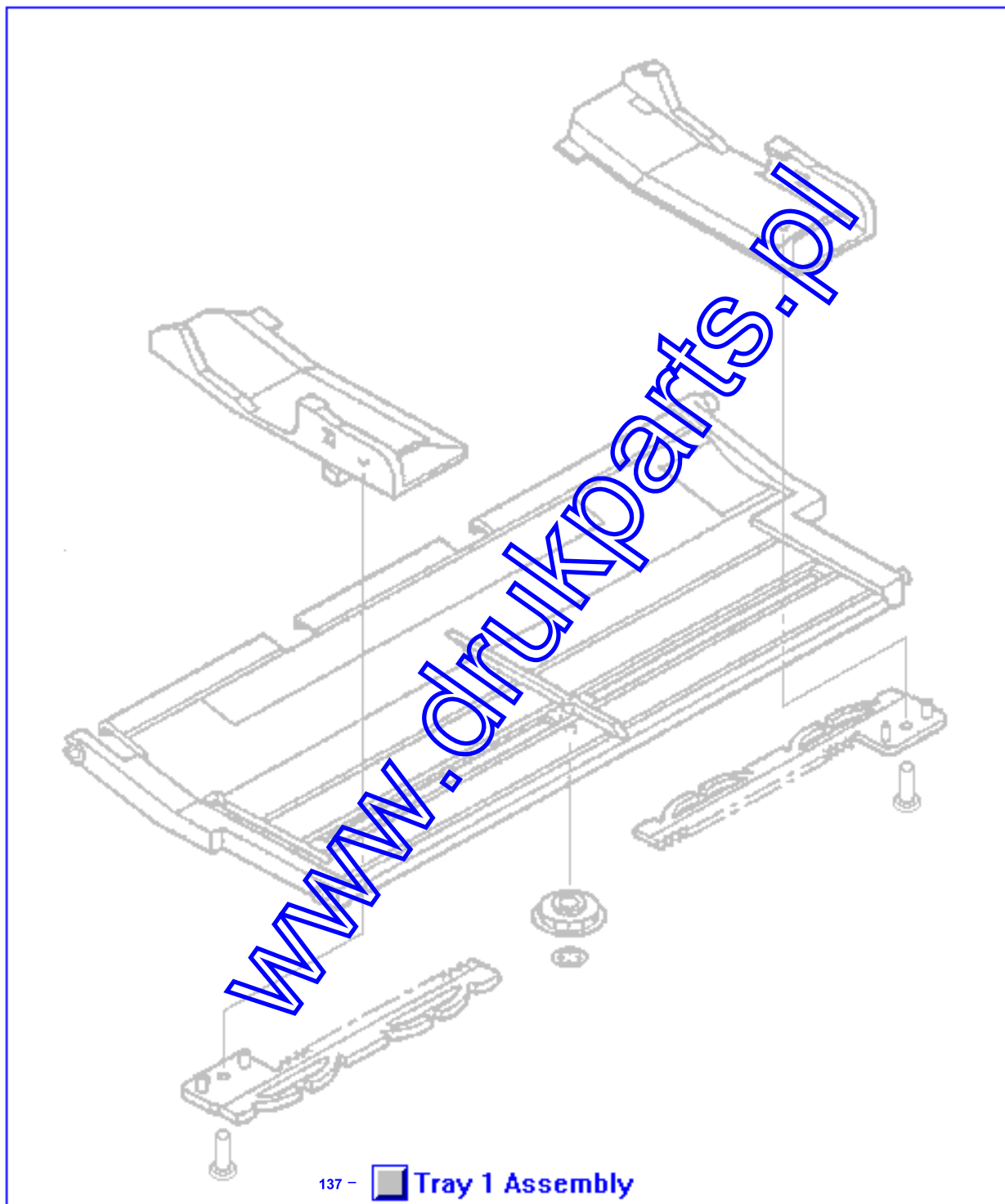


* Parts Indicated are Not Included with the Top Cover Assembly

Tray - For Optional 500-Sheet Feeder

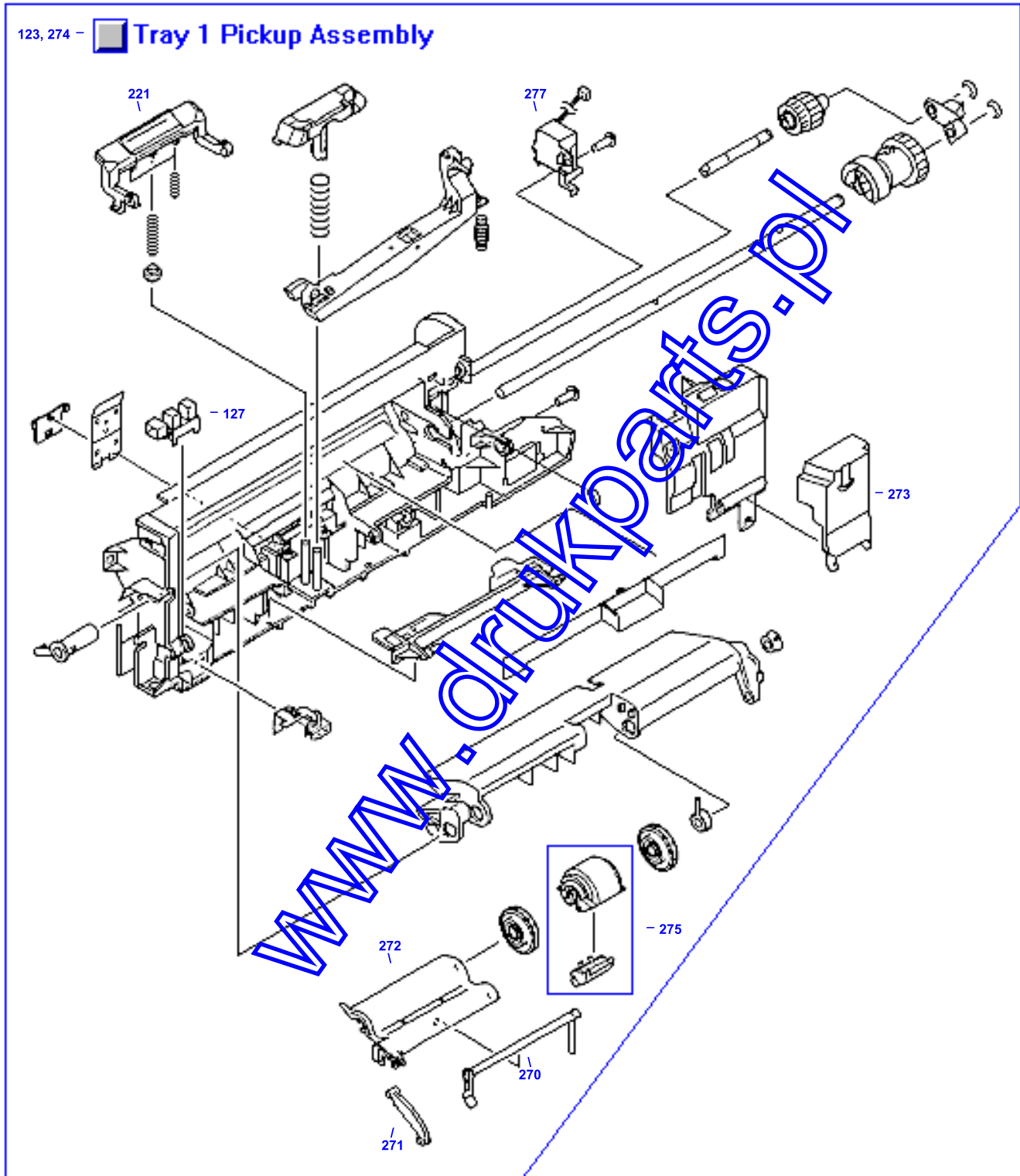


Tray 1 Assembly



Tray 1 Pickup Assembly

123, 274 -  Tray 1 Pickup Assembly





HP Parts Reference Guide

<http://www.hp.com/go/parts>

HP PartSurfer

<http://partsurfer.hp.com>

HP Parts Ordering Information

<http://www.hp.com/go/hpparts>

HP Parts Questions/Comments

<http://partsurfer.hp.com/contactus.htm>

www.drukparts.pl