



ADF Unit Parts

ADF Assembly

1 C9143-60108 Replacement automatic document feeder (ADF) assembly - Mounts on top of the flatbed scanner

Guide

2 C7309-40077 Document feed guide assembly - Mounts in the ADF assembly - Helps to guide the paper from the pick roller assembly to the prescan roller

C7309-40128 *New Part for C7309-40077*

Pad

3 C7309-60009 ADF separation pad assembly - Works with the pick roller assembly to separate the paper stack into individual sheets - Mounts below the pick roller in the ADF assembly

Roller Assembly

4 C7309-60049 ADF pick roller assembly - Includes two rollers in a bracket assembly - Moves the first few top pages of the input stack into the ADF assembly where the top page is picked off and feed to the prescan drive rollers

Screw

5 0624-1055 2-28 pan head T8 torx plastite screw - 0.312-inches long - Used to secure the separation pad assembly in the ADF assembly (two used)

Tray

6 C9143-60102 Paper input tray for the ADF assembly - Includes the width adjustment side rails - Mounts on top of the ADF assembly

Electronic Accessories

Cable (Interface)

8120-8485 Universal Serial Bus (USB) interface cable - Type 'A' connector to type 'B' connector, 1.8m (6.0 ft) long

C2950A IEEE-1284 Bi-Tronics parallel cable - DB-25 (M) connector (type A) to 36 pin Centronics (M) connector (type B) - 2.0m (6.6ft) long

5063-1256 *New Part for C2950A*

C2951A IEEE-1284 Bi-Tronics parallel cable - DB-25 (M) connector (type A) to 36 pin Centronics (M) connector (type B) - 3.0m (9.8ft) long

8121-0712 Universal serial bus (USB) interface cable - Type 'A' connector to type 'B' connector - 0.6m (24-inches) long

Interface (Product)

J6038A HP JetDirect 310X external print server - Fast Ethernet Internet connector for sharing network peripherals with USB ports, in a 10/100 TX LAN environment - Has one USB printer port and one RJ-45 10/100 Base-TX connector

Memory (DIMM)

C7842-67901 8MB, 100-pin SDRAM DIMM memory module

C7843-67901 16MB, 100-pin SDRAM DIMM memory module

C7845-67901 32MB, 100-pin SDRAM DIMM memory module

C7846-67901 64MB SDRAM - 100MHz synchronous DRAM - DIMM package

Q1887-67901 *New Part for C7846-67901*

Memory (Product)

C7842A 8MB, 100-pin SDRAM DIMM memory module

C7843A 16MB, 100-pin SDRAM DIMM memory module

C7845A 32MB, 100-pin SDRAM DIMM memory module

C7846A 64MB SDRAM - 100MHz synchronous DRAM - DIMM package

Q1887AX *New Part for C7846A*

Q1887A 64MB, 100-pin synchronous SDRAM DIMM memory module

Electronics/Power Cords

Cable

21 C9124-60111 Cable assembly - Connects between the control panel keypad and the scanner formatter PC board assembly

22 C9124-60116 Flex Cable Assembly - Interconnects the scanner formatter PC board assembly to the printer formatter PC board

23 RG0-1074-000CN Cable assembly with ferrite - 4 pin (F) connector on both ends - 35.7cm (14.1 inches) long - Connects between the laser/scanner assembly and the formatter board



Electronics/Power Cords

Cable

- 24 RH2-5440-000CN Flex cable - Has two 10 pin (M) edge connectors - 11.4cm (4.5 inches) long - Connects between the laser/scanner assembly and the formatter PC board

Control Panel

- 25 C9124-60108 Control panel keypad assembly - Has 'Copy', 'Print' and 'Scan' key functions - Does NOT include the bezel - Used with the LaserJet 3300, 3320 and 3320n only

Fan/Airflow Guide

- 26 RG0-1119-000CN Fan and airflow guide assembly - Mounts to the upper front on the right side plate

Laser/Scanner

- 27 RG9-1486-000CN Laser/scanner assembly - Mounts on top of the print structure frame

PC Board

- C8066-60002 Scanner Formatter PC board assembly - Includes the PC board and interconnecting flex cable - Mounts to the left end of the scanner assembly - When upgrading to the new scanner board also order the RFI shield
- 29 C9158-60002 Formatter PC Board assembly - Mounts on the left side frame
- 30 RG0-1117-040CN Engine control PC board - Main logic and power supply board for the printer - Mounts in the bottom of the printer (For 110V to 127V operation)
- 31 RG0-1118-050CN Engine control PC board - Main logic and power supply board for the printer - Mounts in the bottom of the printer (For 220V to 240V operation)

Power Cord

- 8120-6800 Power cord (Flint Gray) - 16 AWG, 2.3m (7.5ft) long - Has straight (F) receptacle (For 240V in Israel)
- 8120-6809 Power cord (Dove Gray) - 2.3m (7.5ft) long - Has straight (F) receptacle (For 240V operation in the United Kingdom, Hong Kong, Singapore, Malaysia)
- 8120-6811 Power cord (Flint Gray) - 17 AWG, 2.3m (7.5ft) long - Has straight (F) receptacle (For 220V in Europe, Saudi Arabia, South Africa, India, and Korea)
- 8120-6812 Power cord (Flint Gray) - 18 AWG, 2.3m (7.5ft) long - Has straight (F) receptacle (For 120V in the USA, Canada, Mexico, Philippines, and Taiwan)
- 8120-6813 Power cord (Flint Gray) - 17 AWG, 2.3m (7.5ft) long - Has straight (F) receptacle (For 220V in South Africa, Saudi Arabia, and India)
- 8120-6814 Power cord (Flint Gray) - 17 AWG, 2.3m (7.5ft) long - Has straight (F) receptacle (For 220V in Denmark)
- 8120-6815 Power cord (Flint Gray) - 17 AWG, 2.3m (7.5ft) long - Has straight (F) receptacle (For 220V in Switzerland)

Sensor

- 39 RG0-1072-000CN Paper sensor PC board - Small board with optical flag sensor (Flag not included) - For sensing leading edge of paper - Mounts on the paper feed assembly in the paper pick-up assembly
- 40 RG0-1082-000CN Delivery sensor PC board - Small board with optical flag sensor (Flag not included) - For sensing paper output - Mounts on the bottom center of the fusing assembly

Shield

- C9124-00002 RFI shield for the scanner controller PC board assembly

Solenoid

- 42 RH7-5315-000CN 24VDC Solenoid - Engages the pick-up roller gear/clutch assembly - Mounts on the right side plate assembly

Speaker

- 43 C9124-60113 Speaker assembly - Includes the speaker and cable - Mounts in the lower part of the control panel support chassis

Spring

- 44 RA0-1035-000CN Torsion spring - Provides high voltage connection to the toner cartridge (developing cylinder) - Mounts between the paper pickup roller and the transfer roller on the left side of the paper pickup assembly
- 45 RA0-1200-000CN Torsion spring - Provides high voltage connection to the toner cartridge (primary charging roller) - Mounts behind the transfer roller on the left side of the paper pickup assembly



External Case Parts

Bezel

46	C9125-40001	Control panel bezel - Oval shaped plastic piece with cutouts for the control function keys (English) - For the LaserJet 3320 series only
47	C9125-40002	Control panel bezel - Oval shaped plastic piece with cutouts for the control function keys (Traditional Chinese) - For the LaserJet 3320 series only
48	C9125-40003	Control panel bezel - Oval shaped plastic piece with cutouts for the control function keys (Korean) - For the LaserJet 3320 series only
49	C9125-40004	Control panel bezel - Oval shaped plastic piece with cutouts for the control function keys (Simplified Chinese) - For the LaserJet 3320 series only
50	C9125-40005	Control panel bezel - Oval shaped plastic piece with cutouts for the control function keys (Thai) - For the LaserJet 3320 series only
51	C9125-40006	Control panel bezel - Oval shaped plastic piece with cutouts for the control function keys (Greek) - For the LaserJet 3320 series only
52	C9125-40007	Control panel bezel - Oval shaped plastic piece with cutouts for the control function keys (Turkish) - For the LaserJet 3320 series only
53	C9125-40008	Control panel bezel - Oval shaped plastic piece with cutouts for the control function keys (Portuguese) - For the LaserJet 3320 series only
54	C9125-40009	Control panel bezel - Oval shaped plastic piece with cutouts for the control function keys (French) - For the LaserJet 3320 series only
55	C9125-40010	Control panel bezel - Oval shaped plastic piece with cutouts for the control function keys (German) - For the LaserJet 3320 series only
56	C9125-40011	Control panel bezel - Oval shaped plastic piece with cutouts for the control function keys (Spanish) - For the LaserJet 3320 series only
57	C9125-40012	Control panel bezel - Oval shaped plastic piece with cutouts for the control function keys (Dutch) - For the LaserJet 3320 series only
58	C9125-40013	Control panel bezel - Oval shaped plastic piece with cutouts for the control function keys (Norwegian) - For the LaserJet 3320 series only
59	C9125-40014	Control panel bezel - Oval shaped plastic piece with cutouts for the control function keys (Swedish) - For the LaserJet 3320 series only
60	C9125-40015	Control panel bezel - Oval shaped plastic piece with cutouts for the control function keys (Hebrew) - For the LaserJet 3320 series only
61	C9125-40016	Control panel bezel - Oval shaped plastic piece with cutouts for the control function keys (Finnish) - For the LaserJet 3320 series only
62	C9125-40017	Control panel bezel - Oval shaped plastic piece with cutouts for the control function keys (Danish) - For the LaserJet 3320 series only
63	C9125-40018	Control panel bezel - Oval shaped plastic piece with cutouts for the control function keys (Italian) - For the LaserJet 3320 series only
64	C9125-40019	Control panel bezel - Oval shaped plastic piece with cutouts for the control function keys (Russian) - For the LaserJet 3320 series only
65	C9125-40020	Control panel bezel - Oval shaped plastic piece with cutouts for the control function keys (Czech) - For the LaserJet 3320 series only
66	C9125-40021	Control panel bezel - Oval shaped plastic piece with cutouts for the control function keys (Hungarian) - For the LaserJet 3320 series only
67	C9125-40022	Control panel bezel - Oval shaped plastic piece with cutouts for the control function keys (Polish) - For the LaserJet 3320 series only
68	C9125-40023	Control panel bezel - Oval shaped plastic piece with cutouts for the control function keys (Arabic) - For the LaserJet 3320 series only

Cover

69	C9124-40002	Left scanner cover - Mounts on the left end of the scanner assembly - Covers the scanner formatter PC board
70	C9124-40003	Right scanner cover - Mounts on the right side of the scanner assembly
71	RA0-1450-020CN	Front cover - Lower front of printer - With opening for inserting the paper input tray assembly
72	RF0-1100-000CN	Top cover assembly - Has face-down paper output tray molded into it - Mounts to top of printer - Provides mounting support for the scanner assembly



External Case Parts

Cover

- 73 RG0-1114-000CN Rear cover assembly - Includes rear cover and fold down face-up (or straight through) paper output tray (tray is NOT sold separately)
- 74 RG0-1116-000CN Right side cover assembly - Has molded-in air intake louvers

Door

- 75 RG0-1113-000CN Left side door assembly - Includes the left side door and hinge - Provides access to connect the printer interface cables
- 76 RG0-1115-040CN Toner cartridge door - Fold down door used when accessing the toner cartridge - Mounts to the top of the front cover

Foot

- 77 RA0-1003-000CN Rubber foot - Used for the rear feet on the bottom of printer - Mounts on the front bottom frame of the paper pick-up assembly (two used)
- 78 RA0-1197-000CN Rubber foot - Used for the front feet on the bottom of the printer - Mounts on the bottom of the right and left side plate assemblies (two used)

Nameplate/Logo

- 79 7121-8043 Jewel - Rectangular silver plastic piece with the HP logo - Mounts to the toner cartridge door

Pan

- 80 RA0-1127-000CN Support pan (case) for the print engine controller board - Metal part which also acts as part of the bottom of the printer

Screw

- 81 0515-4330 Pan head plastite screw with washer - M3.0 x 1.27, 9.1mm long, Number 2 Phillips - Used to secure the scanner side panels, the scanner formatter PC board assembly, the scanner ADF glass frame, and the control panel to the support chassis (10 used)
- 82 0515-4331 Pan head plastite screw with washer - M4.0 x 1.75, 13.1mm long, Number 2 Phillips - For securing the scanner to the printer (four used)
- 83 RY7-5082-000CN Screw kit - Includes nine bags of different size screws - This is a complete set of screws for the Printer portion of the LaserJet 3300 series printer

Support

- 84 C9124-40006 Support Chassis - Curved plastic piece that supports the control panel keypad - Mounts to the front of the scanner assembly
- 85 RA0-1470-000CN Support frame - Curved plastic support piece - Mounts on the bottom left side of the printer (below the left side door)

Fusing Assembly Parts

Bushing

- 86 RA0-1104-000CN Roller bushing/retainer - Mounts on the right end of the face-up output roller and retains it in the fusing assembly

Fusing Assembly

- 87 RG9-1493-000CN Fusing assembly - Bonds toner to paper with heat (For 100V to 120V operation) - Mounts in the upper rear of the printer
- 88 RG9-1494-000CN Fusing assembly - Bonds toner to paper with heat (For 220V to 240V operation) - Mounts in the upper rear of the printer

Gear

- 89 RA0-1088-000CN 29 tooth gear - Mounts on the end of the pressure roller - Largest of the three gears on the fusing assembly
- 90 RA0-1089-000CN 17 tooth gear - Mounts on the end of the face-up output roller - Center gear of three gears on the fusing assembly

Roller

- 91 RF0-1003-000CN Face-up (straight through) output roller - Metal shaft with two rollers - Mounts in the fusing assembly behind the pressure roller

Roller Assembly

- 92 RG0-1010-000CN Output roller assembly - Includes face-down delivery roller, 4 spring-loaded pressure rollers, support frame, and drive gear - Delivers printed pages to the output tray on top of the printer - Mounts on the top rear of the fusing assembly

Sensor

- 93 RG0-1082-000CN Delivery sensor PC board - Small board with optical flag sensor (Flag not included) - For sensing paper output - Mounts on the bottom center of the fusing assembly



Other Accessories

Cartridge

- C7115-60101 Ultraprecise black toner cartridge - Will print approximately 2,500 pages - For CREW fulfillment
- C7115A Ultraprecise black toner cartridge - Will print approximately 2,500 pages based on a 5% print density
- C7115X Ultraprecise black toner cartridge - Will print approximately 3,500 pages based on a 5% print density

Cleaning Supplies

- 5090-3379 Toner cleaning cloth - Specially treated cloth for absorbing toner (1 per package) - Ideal for cleaning up toner spills

Manual

- C9124-90948 LaserJet 33xx series MFP service manual - Printed version (English)

Other Internal Parts

Bracket

- 99 RA0-1446-000CN Left side fuser bracket (L-shaped) - Provides mounting support for the fusing assembly - Mounts to the upper rear corner of the left side plate
- 100 RA0-1447-000CN Right side fuser bracket (L-shaped) - Provides mounting support for the fusing assembly - Mounts to the upper rear corner of the right side plate

Clamp

- 101 WT2-5694-000CN Snap-in cable clamp - Secures the drive motor cable from the controller PC board to the metal support pan

Gear

- 102 RA0-1176-000CN 69 tooth gear - Large gear with ribs and six small holes - Mounts on a rod in the upper rear corner of the right side plate

Gear Assembly

- 103 RA0-1172-000CN 17 tooth gear assembly - Includes the 17 tooth gear mounted on a black plastic bracket - Mounts to the right side plate assembly
- 104 RG0-1020-000CN Gear/clutch assembly (Solenoid activated) - Includes the two gear bodies and internal spring - Drives the pickup roller in the paper pickup assembly

Guide

- 105 RA0-1181-000CN Guide - For the shutter lever on the laser/scanner assembly - Mounts on the metal support bracket for the laser/scanner assembly
- 106 RA0-1451-000CN Front guide assembly - Ribbed plastic piece that runs the width of the printer - Mounts to the front of the left and right side plates

Lever

- 107 RA0-1182-000CN Shutter lever - Spring loaded lever - Mounts to the top of the laser/scanner assembly

Link

- 108 RA0-1457-000CN Connecting link - Connects between the sliding linkage on the left and right side plates and the toner cartridge access door (two used)

Motor

- 109 RH7-1473-000CN Stepper motor assembly - Drives all rollers and fusing assembly via the gear train on the right side plate - Mounts on the inside rear of the right side plate

Plate

- 110 RG0-1001-040CN Right side plate assembly - Includes the right side plate, drive motor, most all drive gears, and cam levers - Does not come with the pick-up roller solenoid or 69 tooth gear - Right side of the internal printer mechanism
- 111 RG0-1002-060CN Left plate assembly - Left side of internal printer mechanism - Plate that the formatter PC board mounts to

Screw

- 112 0515-2908 Pan head machine screw with washer - M3.0 x 0.5, 6mm long, Number 2 Phillips - Used to Mount the printer formatter board and shield to the left side plate (five used)

Shield

- 113 C9124-00003 RFI shield - Metal plate that covers the formatter PC board - Mounts on the left side plate



Other Internal Parts

Spacer

- 114 RA0-1128-000CN Printed circuit board spacer - Mounts between the print engine control board and the metal support pan (six used)

Spring

- 115 RA0-1169-000CN Compression spring - Provides tension for the shutter lever - Mounts between the shutter lever and the laser/scanner assembly
- 116 RA0-1212-000CN Tension spring - Provides tension for lever - Mounts on the lower front on the right side plate

Support

- 117 RA0-1173-000CN Mounting support - Metal piece that supports the paper pick-up solenoid (SL001) - Mounts on the right side plate
- 118 RA0-1444-000CN Front cover support (L-shaped) - Mounts on the upper left corner of the left side plate
- 119 RA0-1452-000CN Front cover support (L-shaped) - Mounts on the upper right corner of the right side plate

Paper Path Parts

Fusing Assembly

- 120 RG9-1493-000CN Fusing assembly - Bonds toner to paper with heat (For 100V to 120V operation) - Mounts in the upper rear of the printer
- 121 RG9-1494-000CN Fusing assembly - Bonds toner to paper with heat (For 220V to 240V operation) - Mounts in the upper rear of the printer

Laser/Scanner

- 122 RG9-1486-000CN Laser/scanner assembly - Mounts on top of the print structure frame

Paper Pick-Up

- 123 RG0-1120-000CN Paper pick-up assembly - Includes the pick-up roller, paper feed roller assembly, separation pad, plastic housing and other associated parts - Mounts in the bottom of the printer

Roller

- 124 RF0-1008-000CN Paper Pick-up Roller ('D' shaped roller) - Picks up media from the paper input tray - Clips in the holder on the paper pick-up shaft
- RL1-0303-000CN New Part for RF0-1008-000CN*
- 125 RG9-1483-000CN Transfer roller assembly - Transfers static charge to the media being printed on - Mounts in the top rear of the paper pick-up assembly

Paper Pick-Up Assy Parts

Foot

- 126 RA0-1003-000CN Rubber foot - Used for the rear feet on the bottom of printer - Mounts on the front bottom frame of the paper pick-up assembly (two used)

Gear Assembly

- 127 RY7-5081-000CN Gear/clutch assembly kit - Includes 19-tooth/31-tooth double-gear body, ratcheted shaft piece and spring - For driving the paper feed roller shaft in the paper pickup assembly

Ground Plane

- 128 RA0-1072-000CN Grounding Plate - L-shaped, spring steel - Mounts on the left end of the paper pickup assembly

Pad

- 129 RF0-1014-000CN Separation pad assembly - Mounts on a spring loaded arm in the paper pick-up assembly

Paper Pick-Up

- 130 RG0-1120-000CN Paper pick-up assembly - Includes the pick-up roller, paper feed roller assembly, separation pad, plastic housing and other associated parts - Mounts in the bottom of the printer

Plate

- 131 RG0-1124-000CN Paper lift plate assembly (Priority input tray) - Plastic plate assembly that includes the two blue paper width adjusters - Mounts to the top front of the paper pick-up assembly

Roller/Holder

- 132 RG0-1005-000CN Paper feed roller assembly - Includes feed roller, feed roller base assembly, retainer bushings, paper input leading edge sensor, sensor flag and spring - Mounts on the bottom of the paper pick-up assembly



Paper Pick-Up Assy Parts

Sensor

- 133 RG0-1072-000CN Paper sensor PC board - Small board with optical flag sensor (Flag not included) - For sensing leading edge of paper - Mounts on the paper feed assembly in the paper pick-up assembly

Shaft

- 134 RG0-1007-000CN Paper pick-up shaft assembly - Includes the shaft, the two cams, pick-up roller holder, and end cap - Mounts in the paper pick-up assembly
- RG0-1007-020CN *New Part for RG0-1007-000CN*

Spring

- 135 RA0-1035-000CN Torsion spring - Provides high voltage connection to the toner cartridge (developing cylinder) - Mounts between the paper pickup roller and the transfer roller on the left side of the paper pickup assembly
- 136 RA0-1200-000CN Torsion spring - Provides high voltage connection to the toner cartridge (primary charging roller) - Mounts behind the transfer roller on the left side of the paper pickup assembly

Paper Tray Parts

Cover

- 137 RG0-1122-000CN Paper tray cover assembly - Includes clear plastic cover with blue width adjustment guides for 'priority' paper input - Covers the LaserJet paper input tray

Tray

- 138 C9143-60102 Paper input tray for the ADF assembly - Includes the width adjustment side rails - Mounts on top of the ADF assembly
- 139 RG0-1121-000CN Printer input paper tray assembly - Includes bottom tray, blue paper length adjustment lever, and extension arm (also includes the paper tray cover)

Paper/Transparency/Labels

Film (Transparency)

- 92296T LaserJet printer transparency film - A size (8.5 x 11-inches) - 50 sheets per box
- 92296U LaserJet printer transparency film - A4 size (21.0cm x 29.7cm) - 50 sheets per box

Labels

- Q2550A White full-sheet labels - A size (8.5 x 11-inches) - 25 sheets
- Q2551A White full-sheet labels - A size (8.5 x 11-inches) - 100 sheets
- Q2587A White labels - 2.54cm (1in) x 6.67cm (2.63in) labels - 25 sheets
- Q2588A White labels - 2.54cm (1in) x 6.67cm (2.63in) labels - 100 sheets
- Q2589A White address labels - 3.39cm (1.33in) x 10.2cm (4in) labels - 25 sheets
- Q2590A White address labels - 3.39cm (1.33in) x 10.2cm (4in) labels - 100 sheets
- Q2591A White shipping labels - 5.08cm (2in) x 10.2cm (4in) labels - 25 sheets
- Q2592A White shipping labels - 5.08cm (2in) x 10.2cm (4in) labels - 100 sheets
- Q2593A White address labels - 1.27cm (0.5in) x 4.45cm (1.75in) labels - 25 sheets
- Q2594A White address labels - 8.47cm (3.33in) x 10.2cm (4in) labels - 100 sheets

Paper (Glossy)

- Q2415A Soft gloss LaserJet paper - Soft gloss finish on both sides, 95 brightness - A size (8.5 x 11-inches) - 500 sheets per box
- Q2417A Soft gloss LaserJet paper - Soft gloss finish on both sides, 95 brightness - A4 size (21.0cm x 29.7cm) - 250 sheets per box
- Q2419A High gloss LaserJet paper - High gloss finish on both sides, 95 brightness - A size (8.5 x 11-inches) - 200 sheets per box
- Q2421A High gloss LaserJet paper - High gloss finish on both sides, 95 brightness - A4 size (21.0cm x 29.7cm) - 200 sheets per box

Scanner Assembly Parts

Cover

- 156 C9124-40002 Left scanner cover - Mounts on the left end of the scanner assembly - Covers the scanner formatter PC board
- 157 C9124-40003 Right scanner cover - Mounts on the right side of the scanner assembly



Scanner Assembly Parts

Glass Assembly

- 158 C7296-00014 ADF glass window - Small glass window that mounts on the left end of the flatbed scanner assembly - Stationary window for the moving document fed from the ADF assembly

PC Board

- C8066-60002 Scanner Formatter PC board assembly - Includes the PC board and interconnecting flex cable - Mounts to the left end of the scanner assembly - When upgrading to the new scanner board also order the RFI shield

Retainer

- 160 C9124-40005 Retainer frame (U-shaped) - Retains the small piece of glass that is used with the ADF assembly - Mounts on the left end of the scanner assembly

Scanner

- 161 C9124-60103 Flatbed scanner assembly - Mounts to the top of the printer

Screw

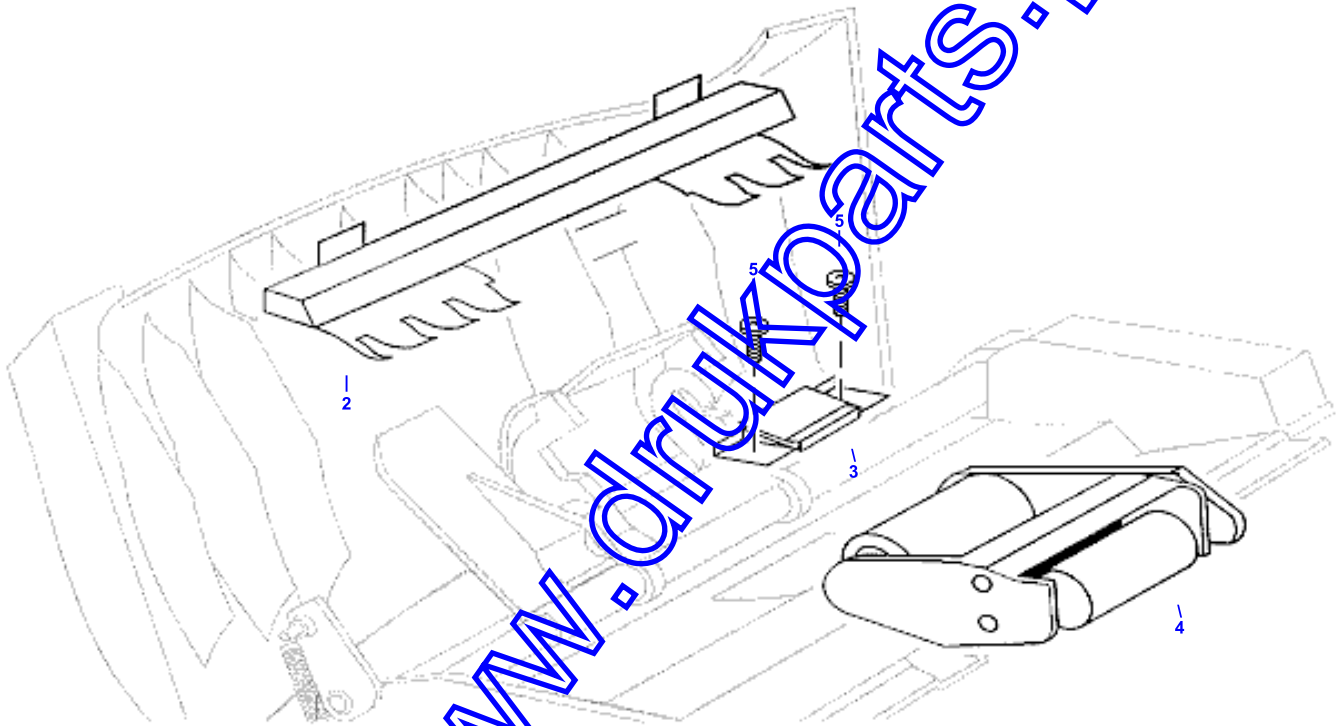
- 162 0515-4257 Pan head taptite screw with washer - M3.0 x 0.5, 6mm long, Number 2 Phillips - The single black screw (of the three screws) that secure the scanner formatter PC board assembly to the scanner case
- 163 0515-4330 Pan head plastite screw with washer - M3.0 x 1.27, 9.1mm long, Number 2 Phillips - Used to secure the scanner side panels, the scanner formatter PC board assembly, the scanner ADF glass frame, and the control panel to the support chassis (10 used)
- 164 0515-4331 Pan head plastite screw with washer - M4.0 x 1.75, 13.1mm long, Number 2 Phillips - For securing the scanner to the printer (four used)

Shield

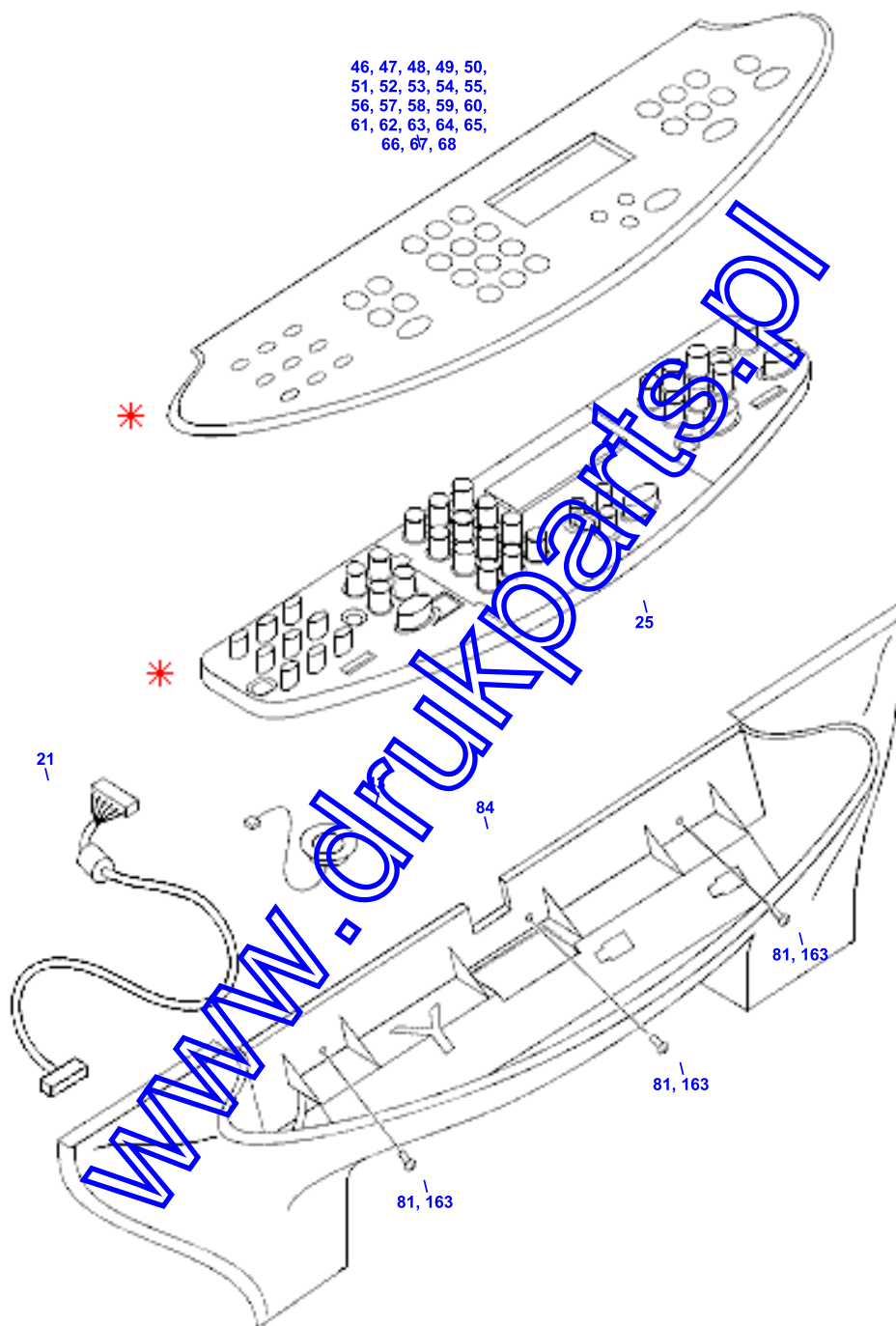
- C9124-00002 RFI shield for the scanner controller PC board assembly

www.drukparts.nl

ADF Rollers and Separation Pad

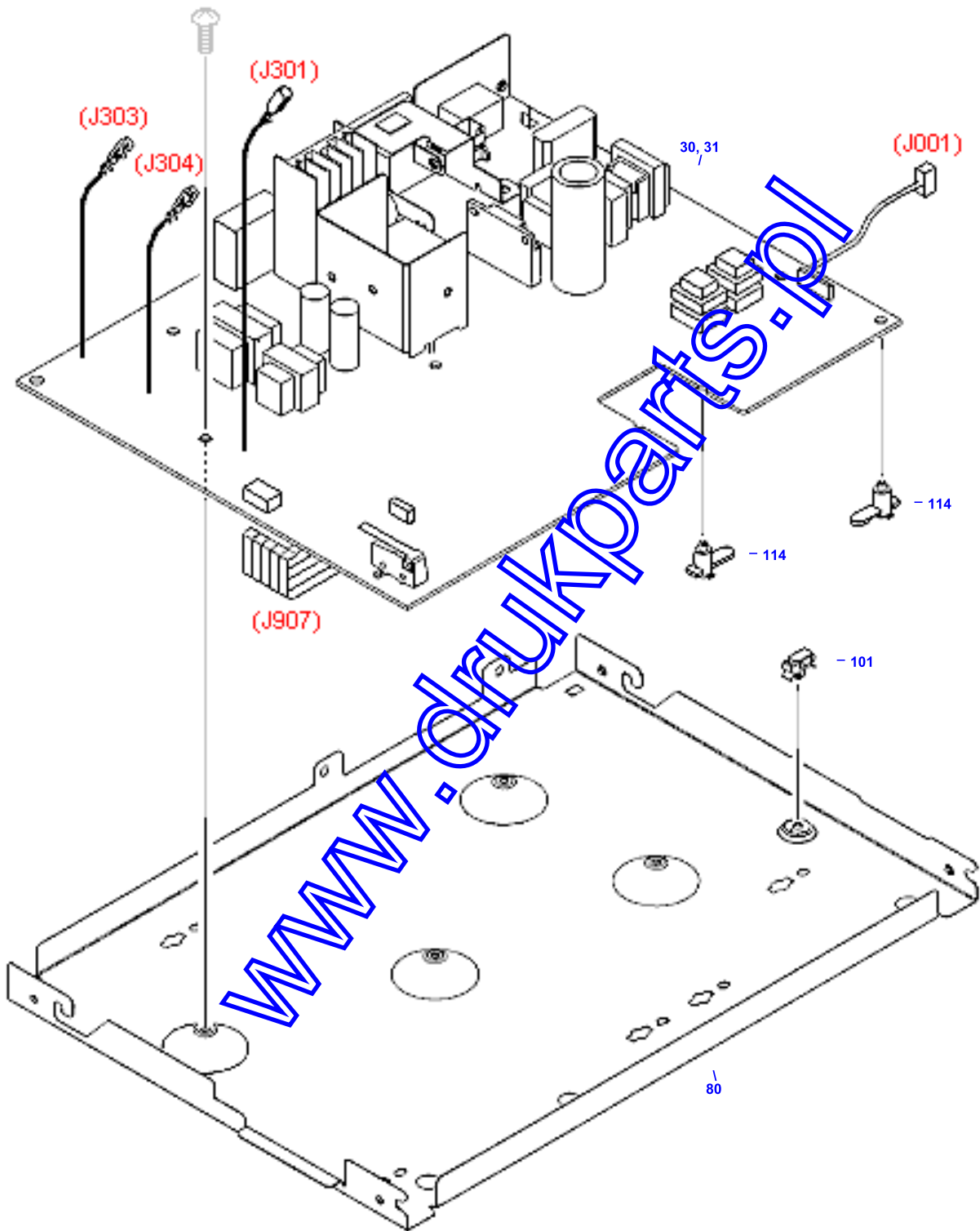


Control Panel Assembly

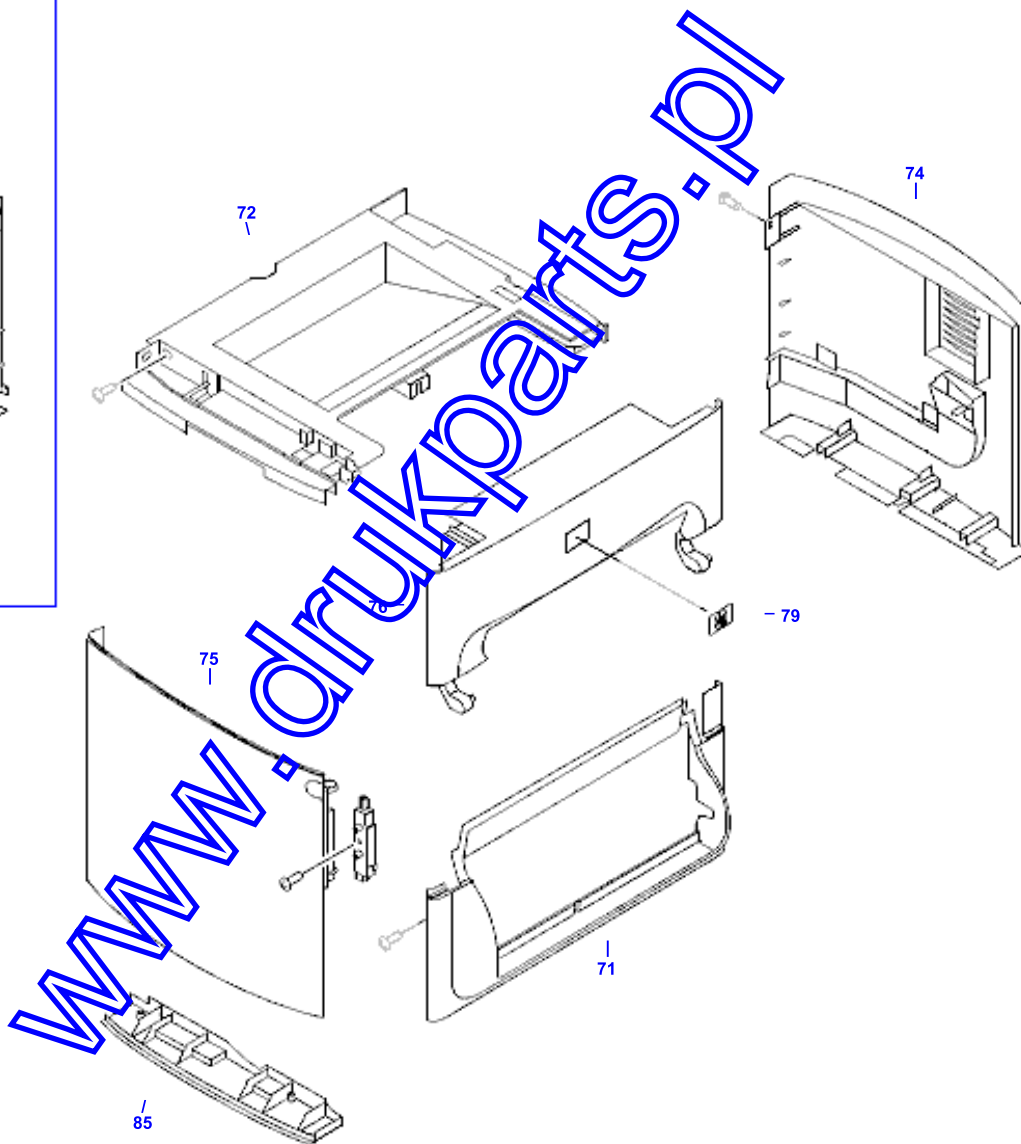
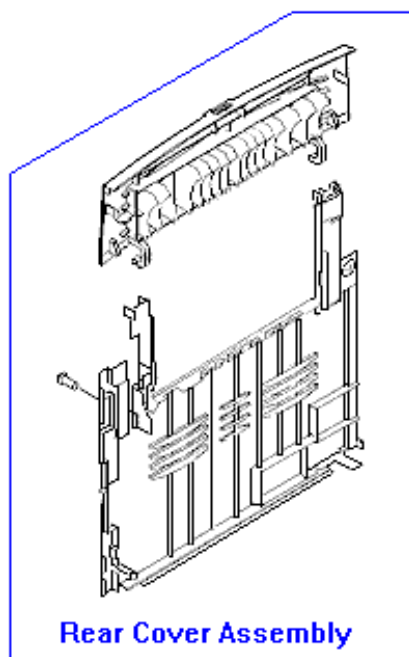


* **Note:** The Control Panel Bezel and Keypad Assembly may differ in appearance from what is shown above as it is model dependant.

Engine Controller PC Board Assembly

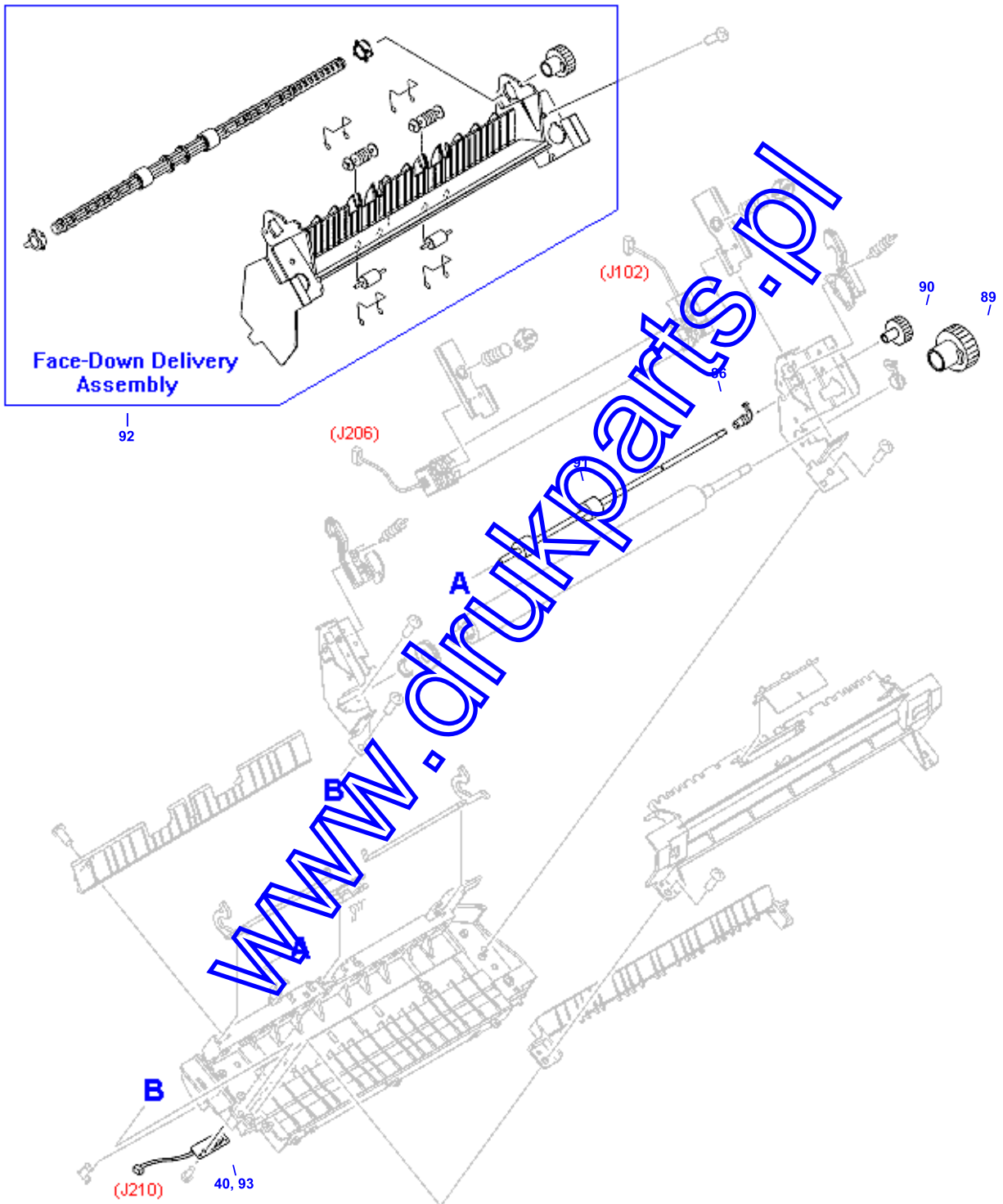


External Printer Covers



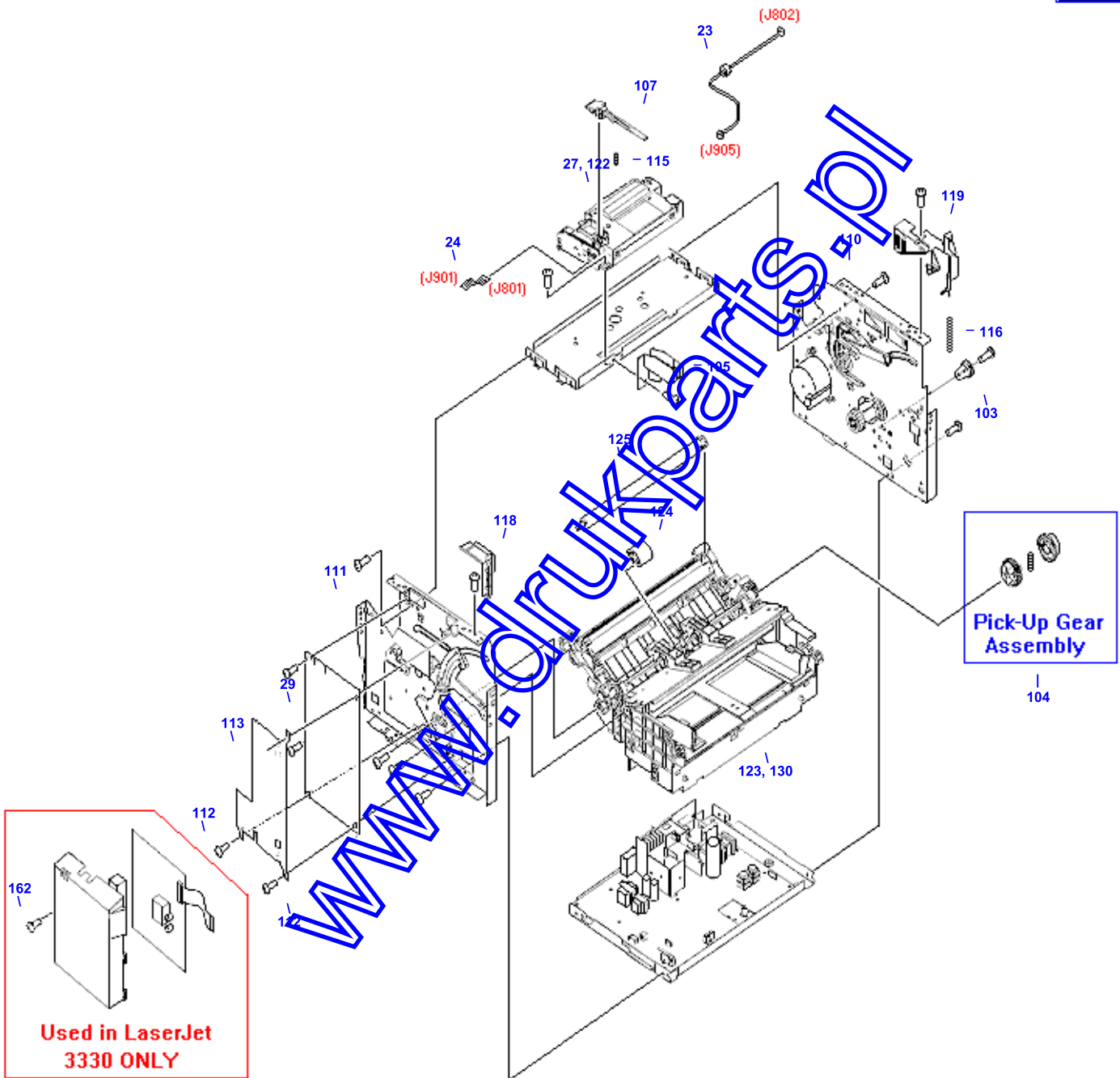
Fusing Assembly

 **Fusing Assembly** - 87, 88, 120, 121



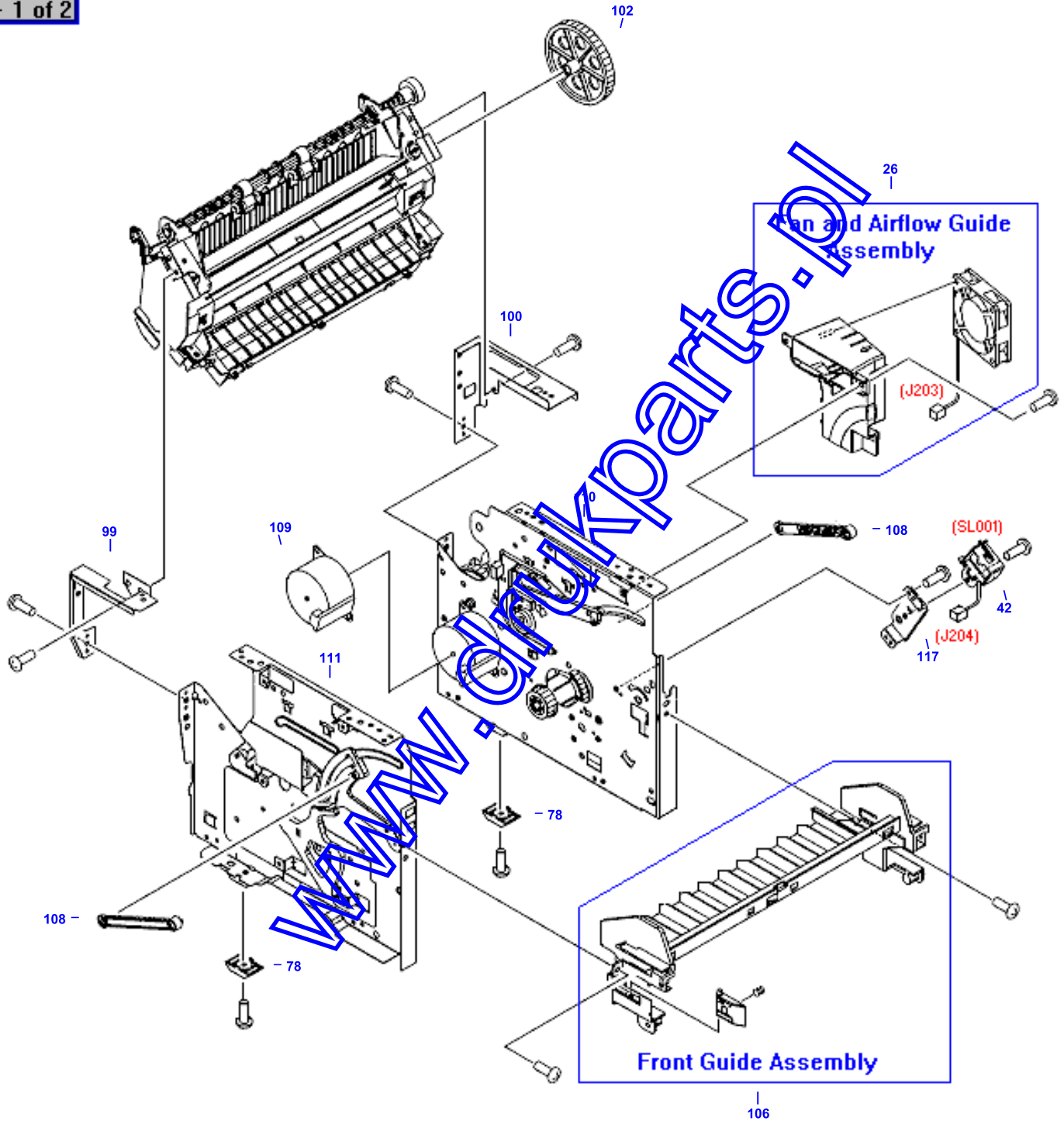
Internal Components (1 of 2)

2 of 2 →

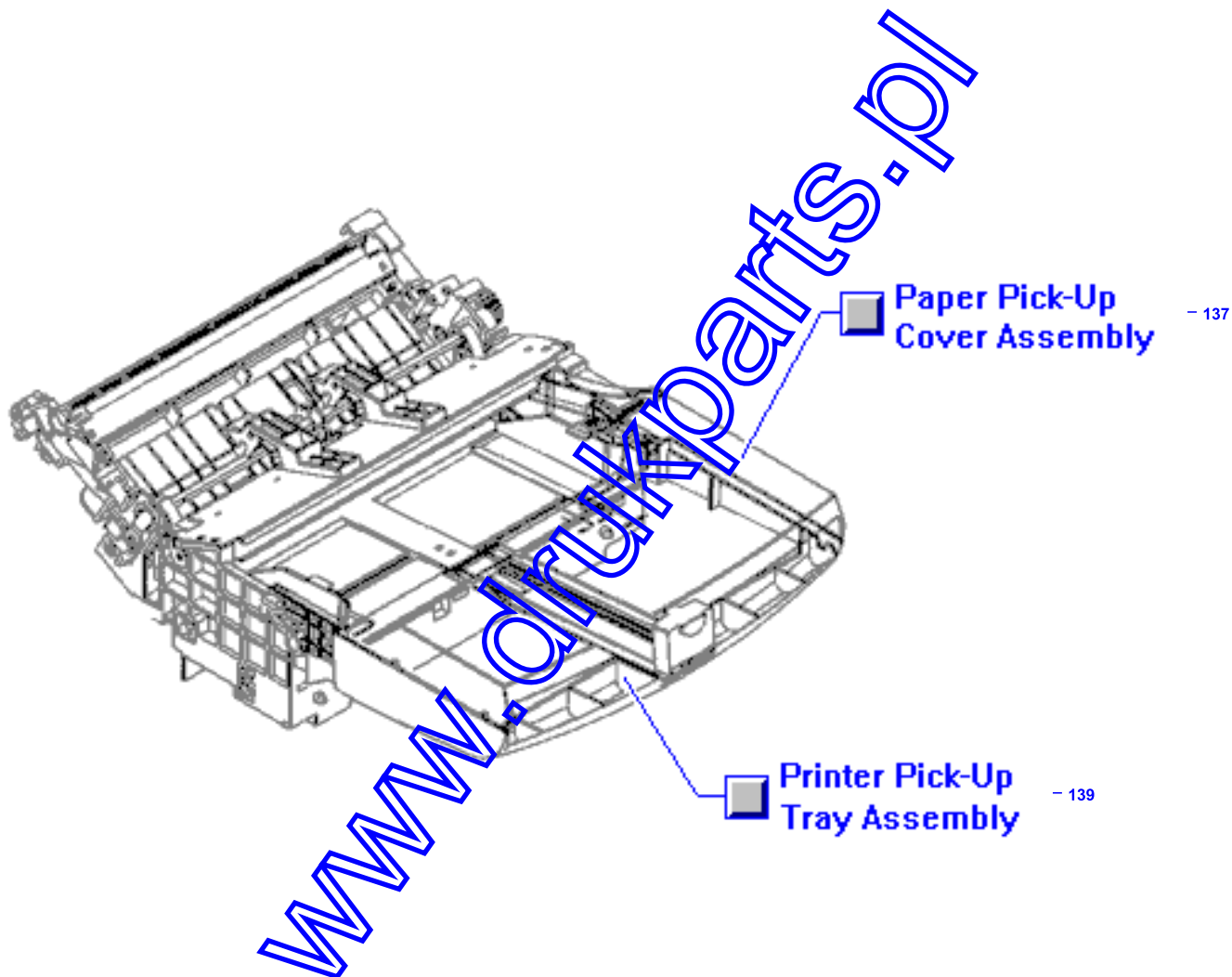


Internal Components (2 of 2)

← 1 of 2

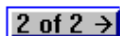


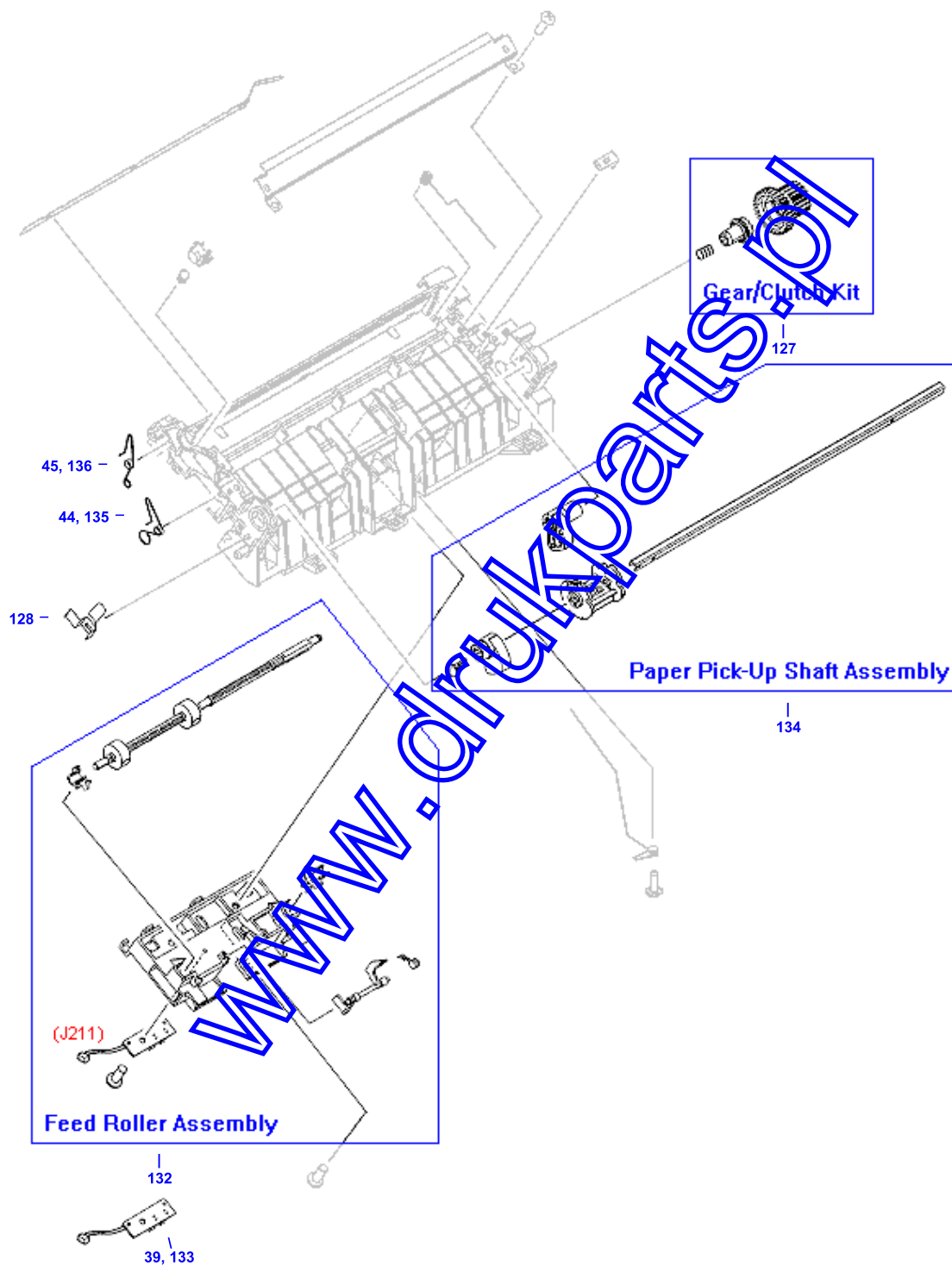
Paper Input Tray



Paper Pick-Up Assembly (1 of 2)

 Paper Pick-Up Assembly - 123, 130

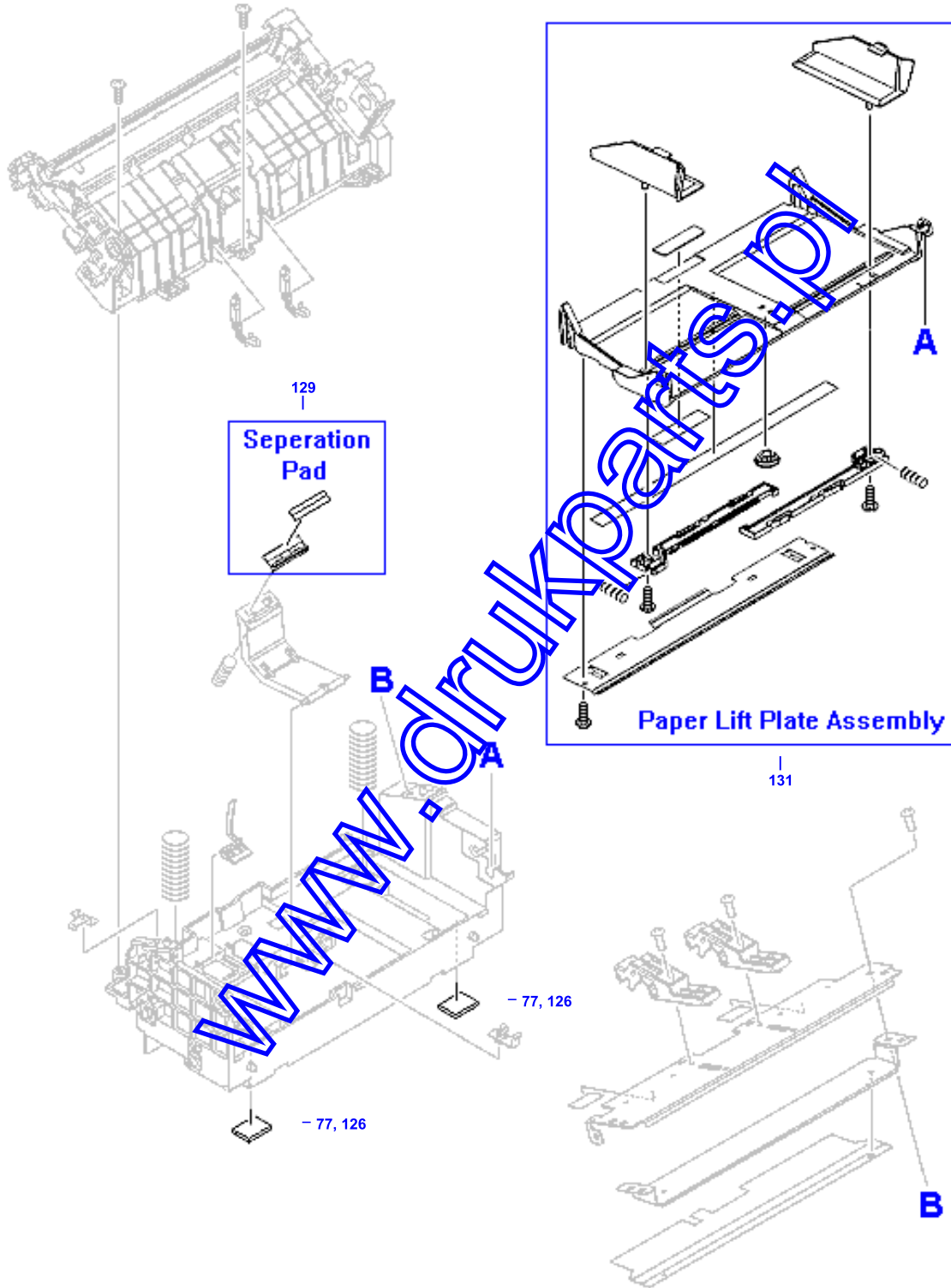
 2 of 2 →



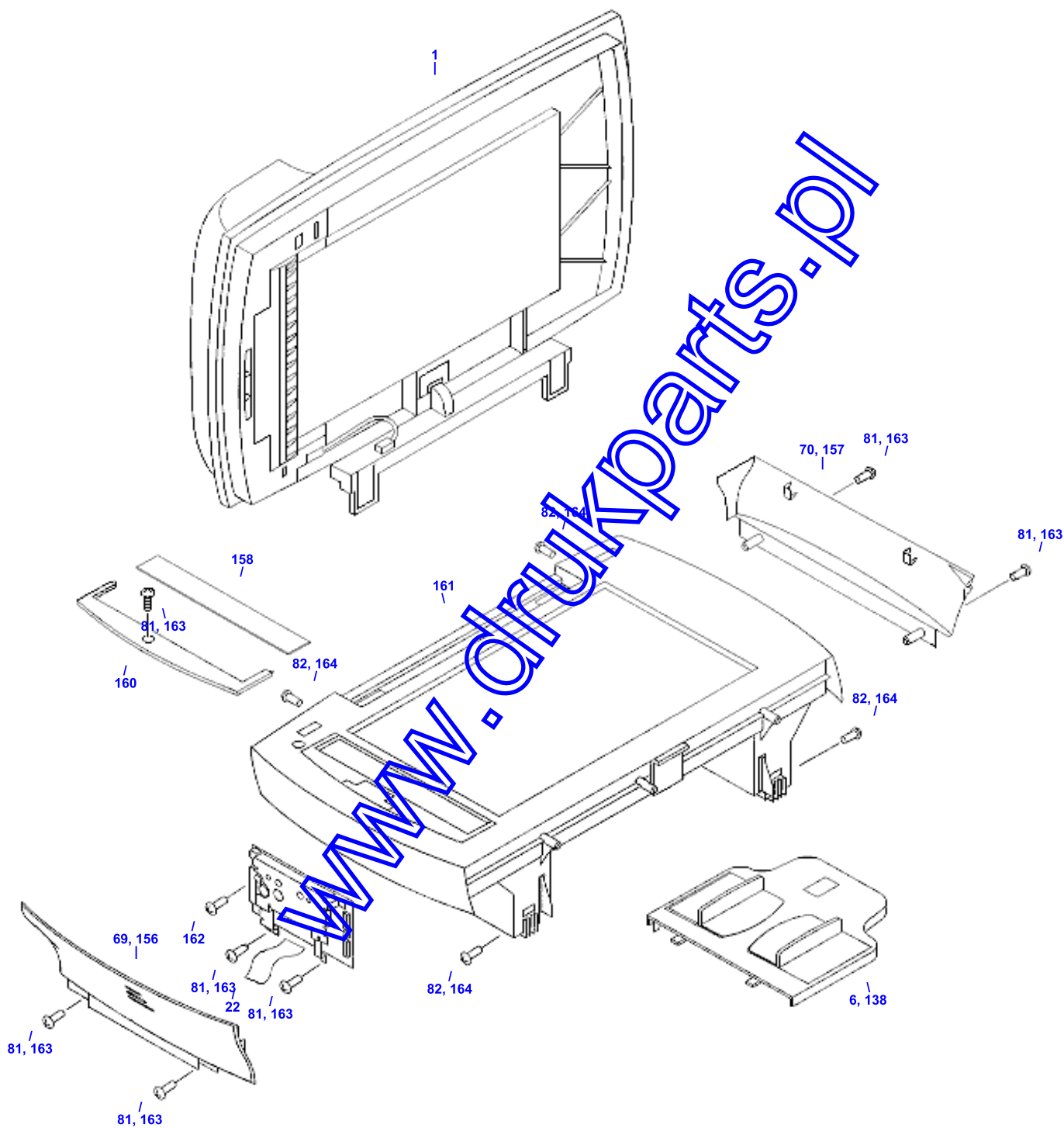
Paper Pick-Up Assembly (2 of 2)

← 1 of 2

 Paper Pick-Up Assembly - 123, 130



Scanner and ADF Assemblies



Screw Kit



 LaserJet 1000/1200 Scw Kit - 83



HP Parts Reference Guide

<http://www.hp.com/go/parts>

HP PartSurfer

<http://partsurfer.hp.com>

HP Parts Ordering Information

<http://www.hp.com/go/hpparts>

HP Parts Questions/Comments

<http://partsurfer.hp.com/contactus.htm>

www.drukparts.pl