



ADF Unit Parts

ADF Assembly

- 1 C9143-60108 Replacement automatic document feeder (ADF) assembly - Mounts on top of the flatbed scanner

Guide

- 2 C7309-40077 Document feed guide assembly - Mounts in the ADF assembly - Helps to guide the paper from the pick roller assembly to the prescan roller
C7309-40128 *New Part for C7309-40077*

Pad

- 3 C7309-60009 ADF separation pad assembly - Works with the pick roller assembly to separate the paper stack into individual sheets - Mounts below the pick roller in the ADF assembly

Roller Assembly

- 4 C7309-60049 ADF pick roller assembly - Includes two rollers in a bracket assembly - Moves the first few top pages of the input stack into the ADF assembly where the top page is picked off and feed to the prescan drive rollers

Screw

- 5 0624-1055 2-28 pan head T8 torx plastite screw - 0.312-inches long - Used to secure the separation pad assembly in the ADF assembly (two used)

Tray

- 6 C9143-60102 Paper input tray for the ADF assembly - Includes the width adjustment side rails - Mounts on top of the ADF assembly

Electronic Accessories

Cable (Interface)

- 8120-8485 Universal Serial Bus (USB) interface cable - Type 'A' connector to type 'B' connector, 1.8m (6.0 ft) long
C2950A IEEE-1284 Bi-Tronics parallel cable - DB-25 (M) connector (type A) to 36 pin Centronics (M) connector (type B) - 2.0m (6.6ft) long
5063-1256 *New Part for C2950A*
C2951A IEEE-1284 Bi-Tronics parallel cable - DB-25 (M) connector (type A) to 36 pin Centronics (M) connector (type B) - 3.0m (9.8ft) long
8121-0712 Universal serial bus (USB) interface cable - Type 'A' connector to type 'B' connector - 0.6m (24-inches) long

Interface (Product)

- J6038A HP JetDirect 310X external print server - Fast Ethernet Internet connector for sharing network peripherals with USB ports, in a 10/100 TX LAN environment - Has one USB printer port and one RJ-45 10/100 Base-TX connector

Memory (DIMM)

- C7842-67901 8MB, 100-pin SDRAM DIMM memory module
C7843-67901 16MB, 100-pin SDRAM DIMM memory module
C7845-67901 32MB, 100-pin SDRAM DIMM memory module
C7846-67901 64MB SDRAM - 100MHz synchronous DRAM - DIMM package
Q1887-67901 *New Part for C7846-67901*

Memory (Product)

- C7842A 8MB, 100-pin SDRAM DIMM memory module
C7843A 16MB, 100-pin SDRAM DIMM memory module
C7845A 32MB, 100-pin SDRAM DIMM memory module
C7846A 64MB SDRAM - 100MHz synchronous DRAM - DIMM package
Q1887AX *New Part for C7846A*
Q1887A 64MB, 100-pin synchronous SDRAM DIMM memory module

Electronics/Power Cords

Cable

- 21 C9124-60111 Cable assembly - Connects between the control panel keypad and the scanner formatter PC board assembly
22 C9124-60116 Flex Cable Assembly - Interconnects the scanner formatter PC board assembly to the printer formatter PC board
23 RG0-1074-000CN Cable assembly with ferrite - 4 pin (F) connector on both ends - 35.7cm (14.1 inches) long - Connects between the laser/scanner assembly and the formatter board



Electronics/Power Cords

Cable

24 RH2-5440-000CN Flex cable - Has two 10 pin (M) edge connectors - 11.4cm (4.5 inches) long - Connects between the laser/scanner assembly and the formatter PC board

Control Panel

25 C9709-60102 Control panel keypad assembly - Has 'Copy' and 'Print' key functions only - Does NOT include the bezel - Used with the LaserJet 3310 only

Fan/Airflow Guide

26 RG0-1119-000CN Fan and airflow guide assembly - Mounts to the upper front on the right side plate

Laser/Scanner

27 RG9-1486-000CN Laser/scanner assembly - Mounts on top of the print structure frame

PC Board

C8066-60002 Scanner Formatter PC board assembly - Includes the PC board and interconnecting flex cable - Mounts to the left end of the scanner assembly - When upgrading to the new scanner board also order the RFI shield

29 C9158-60002 Formatter PC Board assembly - Mounts on the left side frame

30 RG0-1117-040CN Engine control PC board - Main logic and power supply board for the printer - Mounts in the bottom of the printer (For 110V to 127V operation)

31 RG0-1118-050CN Engine control PC board - Main logic and power supply board for the printer - Mounts in the bottom of the printer (For 220V to 240V operation)

Power Cord

8120-6800 Power cord (Flint Gray) - 16 AWG, 2.3m (7.5ft) long - Has straight (F) receptacle (For 240V in Israel)

8120-6809 Power cord (Dove Gray) - 2.3m (7.5ft) long - Has straight (F) receptacle (For 240V operation in the United Kingdom, Hong Kong, Singapore, Malaysia)

8120-6811 Power cord (Flint Gray) - 17 AWG, 2.3m (7.5ft) long - Has straight (F) receptacle (For 220V in Europe, Saudi Arabia, South Africa, India, and Korea)

8120-6812 Power cord (Flint Gray) - 18 AWG, 2.3m (7.5ft) long - Has straight (F) receptacle (For 120V in the USA, Canada, Mexico, Philippines, and Taiwan)

8120-6813 Power cord (Flint Gray) - 17 AWG, 2.3m (7.5ft) long - Has straight (F) receptacle (For 220V in South Africa, Saudi Arabia, and India)

8120-6814 Power cord (Flint Gray) - 17 AWG, 2.3m (7.5ft) long - Has straight (F) receptacle (For 220V in Denmark)

8120-6815 Power cord (Flint Gray) - 17 AWG, 2.3m (7.5ft) long - Has straight (F) receptacle (For 220V in Switzerland)

Sensor

39 RG0-1072-000CN Paper sensor PC board - Small board with optical flag sensor (Flag not included) - For sensing leading edge of paper - Mounts on the paper feed assembly in the paper pick-up assembly

40 RG0-1082-000CN Delivery sensor PC board - Small board with optical flag sensor (Flag not included) - For sensing paper output - Mounts on the bottom center of the fusing assembly

Shield

C9124-00002 RFI shield for the scanner controller PC board assembly

Solenoid

42 RH7-5315-000CN 24VDC Solenoid - Engages the pick-up roller gear/clutch assembly - Mounts on the right side plate assembly

Speaker

43 C9124-60113 Speaker assembly - Includes the speaker and cable - Mounts in the lower part of the control panel support chassis

Spring

44 RA0-1035-000CN Torsion spring - Provides high voltage connection to the toner cartridge (developing cylinder) - Mounts between the paper pickup roller and the transfer roller on the left side of the paper pickup assembly

45 RA0-1200-000CN Torsion spring - Provides high voltage connection to the toner cartridge (primary charging roller) - Mounts behind the transfer roller on the left side of the paper pickup assembly



External Case Parts

Bezel

- 46 C9709-40002 Control panel bezel - Oval shaped plastic piece with cutouts for the control function keys (English) - For the LaserJet 3310 only

Cover

- 47 C9124-40002 Left scanner cover - Mounts on the left end of the scanner assembly - Covers the scanner formatter PC board
- 48 C9124-40003 Right scanner cover - Mounts on the right side of the scanner assembly
- 49 RA0-1450-020CN Front cover - Lower front of printer - With opening for inserting the paper input tray assembly
- 50 RF0-1100-000CN Top cover assembly - Has face-down paper output tray molded into it - Mounts to top of printer - Provides mounting support for the scanner assembly
- 51 RG0-1114-000CN Rear cover assembly - Includes rear cover and fold down face-up (or straight through) paper output tray (tray is NOT sold separately)
- 52 RG0-1116-000CN Right side cover assembly - Has molded-in air intake louvers

Door

- 53 RG0-1113-000CN Left side door assembly - Includes the left side door and hinge - Provides access to connect the printer interface cables
- 54 RG0-1115-040CN Toner cartridge door - Fold down door used when accessing the toner cartridges - Mounts to the top of the front cover

Foot

- 55 RA0-1003-000CN Rubber foot - Used for the rear feet on the bottom of printer - Mounts on the front bottom frame of the paper pick-up assembly (two used)
- 56 RA0-1197-000CN Rubber foot - Used for the front feet on the bottom of the printer - Mounts on the bottom of the right and left side plate assemblies (two used)

Nameplate/Logo

- 57 7121-8043 Jewel - Rectangular silver plastic piece with the HP logo - Mounts to the toner cartridge door

Pan

- 58 RA0-1127-000CN Support pan (case) for the print engine controller board - Metal pan which also acts as part of the bottom of the printer

Screw

- 59 0515-4330 Pan head plastite screw with washer - M3.0 x 1.27, 9.1mm long, Number 2 Phillips - Used to secure the scanner side panels, the scanner formatter PC board assembly, the scanner ADF glass frame, and the control panel to the support chassis (10 used)
- 60 0515-4331 Pan head plastite screw with washer - M4.0 x 1.75, 13.1mm long, Number 2 Phillips - For securing the scanner to the printer (four used)
- 61 RY7-5082-000CN Screw kit - Includes nine bags of different size screws - This is a complete set of screws for the Printer portion of the LaserJet 3300 series printer

Support

- 62 C9124-40006 Support Chassis - Curved plastic piece that supports the control panel keypad - Mounts to the front of the scanner assembly
- 63 RA0-1470-000CN Support frame - Curved plastic support piece - Mounts on the bottom left side of the printer (below the left side door)

Fusing Assembly Parts

Bushing

- 64 RA0-1104-000CN Roller bushing/retainer - Mounts on the right end of the face-up output roller and retains it in the fusing assembly

Fusing Assembly

- 65 RG9-1493-000CN Fusing assembly - Bonds toner to paper with heat (For 100V to 120V operation) - Mounts in the upper rear of the printer
- 66 RG9-1494-000CN Fusing assembly - Bonds toner to paper with heat (For 220V to 240V operation) - Mounts in the upper rear of the printer

Gear

- 67 RA0-1088-000CN 29 tooth gear - Mounts on the end of the pressure roller - Largest of the three gears on the fusing assembly
- 68 RA0-1089-000CN 17 tooth gear - Mounts on the end of the face-up output roller - Center gear of three gears on the fusing assembly



Fusing Assembly Parts

Roller

69 RF0-1003-000CN Face-up (straight through) output roller - Metal shaft with two rollers - Mounts in the fusing assembly behind the pressure roller

Roller Assembly

70 RG0-1010-000CN Output roller assembly - Includes face-down delivery roller, 4 spring-loaded pressure rollers, support frame, and drive gear - Delivers printed pages to the output tray on top of the printer - Mounts on the top rear of the fusing assembly

Sensor

71 RG0-1082-000CN Delivery sensor PC board - Small board with optical flag sensor (Flag not included) - For sensing paper output - Mounts on the bottom center of the fusing assembly

Other Accessories

Cartridge

- C7115-60101 Ultraprecise black toner cartridge - Will print approximately 2,500 pages - For CHEW fulfillment
- C7115A Ultraprecise black toner cartridge - Will print approximately 2,500 pages based on a 5% print density
- C7115X Ultraprecise black toner cartridge - Will print approximately 3,500 pages based on a 5% print density

Cleaning Supplies

5090-3379 Toner cleaning cloth - Specially treated cloth for absorbing toner (1 per package) - Ideal for cleaning up toner spills

Manual

C9124-90948 LaserJet 33xx series MFP service manual - Printed version (English)

Other Internal Parts

Bracket

77 RA0-1446-000CN Left side fuser bracket (L-shaped) - Provides mounting support for the fusing assembly - Mounts to the upper rear corner of the left side plate

78 RA0-1447-000CN Right side fuser bracket (L-shaped) - Provides mounting support for the fusing assembly - Mounts to the upper rear corner of the right side plate

Clamp

79 WT2-5694-000CN Snap-in cable clamp - Secures the drive motor cable from the controller PC board to the metal support pan

Gear

80 RA0-1176-000CN 69 tooth gear - Large gear with ribs and six small holes - Mounts on on a rod in the upper rear corner of the right side plate

Gear Assembly

81 RA0-1172-000CN 17 tooth gear assembly - Includes the 17 tooth gear mounted on a black plastic bracket - Mounts to the right side plate assembly

82 RG0-1020-000CN Gear/clutch assembly (Solenoid activated) - Includes the two gear bodies and internal spring - Drives the pickup roller in the paper pickup assembly

Guide

83 RA0-1181-000CN Guide - For the shutter lever on the laser/scanner assembly - Mounts on the metal support bracket for the laser/scanner assembly

84 RA0-1451-000CN Front guide assembly - Ribbed plastic piece that runs the width of the printer - Mounts to the front of the left and right side plates

Lever

85 RA0-1182-000CN Shutter lever - Spring loaded lever - Mounts to the top of the laser/scanner assembly

Link

86 RA0-1457-000CN Connecting link - Connects between the sliding linkage on the left and right side plates and the toner cartridge access door (two used)

Motor

87 RH7-1473-000CN Stepper motor assembly - Drives all rollers and fusing assembly via the gear train on the right side plate - Mounts on the inside rear of the right side plate



Other Internal Parts

Plate

- 88 RG0-1001-040CN Right side plate assembly - Includes the right side plate, drive motor, most all drive gears, and cam levers - Does not come with the pick-up roller solenoid or 69 tooth gear - Right side of the internal printer mechanism
- 89 RG0-1002-060CN Left plate assembly - Left side of internal printer mechanism - Plate that the formatter PC board mounts to

Screw

- 90 0515-2908 Pan head machine screw with washer - M3.0 x 0.5, 6mm long, Number 2 Phillips - Used to Mount the printer formatter board and shield to the left side plate (five used)

Shield

- 91 C9124-00003 RFI shield - Metal plate that covers the formatter PC board - Mounts on the left side plate

Spacer

- 92 RA0-1128-000CN Printed circuit board spacer - Mounts between the print engine control board and the metal support pan (six used)

Spring

- 93 RA0-1169-000CN Compression spring - Provides tension for the shutter lever - Mounts between the shutter lever and the laser/scanner assembly
- 94 RA0-1212-000CN Tension spring - Provides tension for lever - Mounts on the lower front of the right side plate

Support

- 95 RA0-1173-000CN Mounting support - Metal piece that supports the paper pick-up solenoid (SL001) - Mounts on the right side plate
- 96 RA0-1444-000CN Front cover support (L-shaped) - Mounts on the upper left corner of the left side plate
- 97 RA0-1452-000CN Front cover support (L-shaped) - Mounts on the upper right corner of the right side plate

Paper Path Parts

Fusing Assembly

- 98 RG9-1493-000CN Fusing assembly - Bonds toner to paper with heat (For 100V to 120V operation) - Mounts in the upper rear of the printer
- 99 RG9-1494-000CN Fusing assembly - Bonds toner to paper with heat (For 220V to 240V operation) - Mounts in the upper rear of the printer

Laser/Scanner

- 100 RG9-1486-000CN Laser/scanner assembly - Mounts on top of the print structure frame

Paper Pick-Up

- 101 RG0-1120-000CN Paper pick-up assembly - Includes the pick-up roller, paper feed roller assembly, separation pad, plastic housing and other associated parts - Mounts in the bottom of the printer

Roller

- 102 RF0-1008-000CN Paper Pick-up Roller ('D' shaped roller) - Picks up media from the paper input tray - Clips in the holder on the paper pick-up shaft
- RL1-0303-000CN New Part for RF0-1008-000CN*
- 103 RG9-1483-000CN Transfer roller assembly - Transfers static charge to the media being printed on - Mounts in the top rear of the paper pick-up assembly

Paper Pick-Up Assy Parts

Foot

- 104 RA0-1003-000CN Rubber foot - Used for the rear feet on the bottom of printer - Mounts on the front bottom frame of the paper pick-up assembly (two used)

Gear Assembly

- 105 RY7-5081-000CN Gear/clutch assembly kit - Includes 19-tooth/31-tooth double-gear body, ratcheted shaft piece and spring - For driving the paper feed roller shaft in the paper pickup assembly

Ground Plane

- 106 RA0-1072-000CN Grounding Plate - L-shaped, spring steel - Mounts on the left end of the paper pickup assembly

Pad

- 107 RF0-1014-000CN Separation pad assembly - Mounts on a spring loaded arm in the paper pick-up assembly



Paper Pick-Up Assy Parts

Paper Pick-Up

- 108 RG0-1120-000CN Paper pick-up assembly - Includes the pick-up roller, paper feed roller assembly, separation pad, plastic housing and other associated parts - Mounts in the bottom of the printer

Plate

- 109 RG0-1124-000CN Paper lift plate assembly (Priority input tray) - Plastic plate assembly that includes the two blue paper width adjusters - Mounts to the top front of the paper pick-up assembly

Roller/Holder

- 110 RG0-1005-000CN Paper feed roller assembly - Includes feed roller, feed roller base assembly, retainer bushings, paper input leading edge sensor, sensor flag and spring - Mounts on the bottom of the paper pick-up assembly

Sensor

- 111 RG0-1072-000CN Paper sensor PC board - Small board with optical flag sensor (Flag not included) - For sensing leading edge of paper - Mounts on the paper feed assembly in the paper pick-up assembly

Shaft

- 112 RG0-1007-000CN Paper pick-up shaft assembly - Includes the shaft, the two cams, pick-up roller holder, and end cap - Mounts in the paper pick-up assembly

RG0-1007-020CN *New Part for RG0-1007-000CN*

Spring

- 113 RA0-1035-000CN Torsion spring - Provides high voltage connection to the toner cartridge (developing cylinder) - Mounts between the paper pickup roller and the transfer roller on the left side of the paper pickup assembly
- 114 RA0-1200-000CN Torsion spring - Provides high voltage connection to the toner cartridge (primary charging roller) - Mounts behind the transfer roller on the left side of the paper pickup assembly

Paper Tray Parts

Cover

- 115 RG0-1122-000CN Paper tray cover assembly - Includes clear plastic cover with blue width adjustment guides for 'priority' paper input - Covers the LaserJet paper input tray

Tray

- 116 C9143-60102 Paper input tray for the ADF assembly - Includes the width adjustment side rails - Mounts on top of the ADF assembly
- 117 RG0-1121-000CN Printer input paper tray assembly - Includes bottom tray, blue paper length adjustment lever, and extension arm (also includes the paper tray cover)

Paper/Transparency/Labels

Film (Transparency)

- 92296T LaserJet printer transparency film - A size (8.5 x 11-inches) - 50 sheets per box
- 92296U LaserJet printer transparency film - A4 size (21.0cm x 29.7cm) - 50 sheets per box

Labels

- Q2550A White full-sheet labels - A size (8.5 x 11-inches) - 25 sheets
- Q2551A White full-sheet labels - A size (8.5 x 11-inches) - 100 sheets
- Q2587A White labels - 2.54cm (1in) x 6.67cm (2.63in) labels - 25 sheets
- Q2588A White labels - 2.54cm (1in) x 6.67cm (2.63in) labels - 100 sheets
- Q2589A White address labels - 3.39cm (1.33in) x 10.2cm (4in) labels - 25 sheets
- Q2590A White address labels - 3.39cm (1.33in) x 10.2cm (4in) labels - 100 sheets
- Q2591A White shipping labels - 5.08cm (2in) x 10.2cm (4in) labels - 25 sheets
- Q2592A White shipping labels - 5.08cm (2in) x 10.2cm (4in) labels - 100 sheets
- Q2593A White address labels - 1.27cm (0.5in) x 4.45cm (1.75in) labels - 25 sheets
- Q2594A White address labels - 8.47cm (3.33in) x 10.2cm (4in) labels - 100 sheets

Paper (Glossy)

- Q2415A Soft gloss LaserJet paper - Soft gloss finish on both sides, 95 brightness - A size (8.5 x 11-inches) - 500 sheets per box
- Q2417A Soft gloss LaserJet paper - Soft gloss finish on both sides, 95 brightness - A4 size (21.0cm x 29.7cm) - 250 sheets per box



Paper/Transparency/Labels

Paper (Glossy)

- Q2419A High gloss LaserJet paper - High gloss finish on both sides, 95 brightness - A size (8.5 x 11-inches) - 200 sheets per box
- Q2421A High gloss LaserJet paper - High gloss finish on both sides, 95 brightness - A4 size (21.0cm x 29.7cm) - 200 sheets per box

Scanner Assembly Parts

Cover

- 134 C9124-40002 Left scanner cover - Mounts on the left end of the scanner assembly - Covers the scanner formatter PC board
- 135 C9124-40003 Right scanner cover - Mounts on the right side of the scanner assembly

Glass Assembly

- 136 C7296-00014 ADF glass window - Small glass window that mounts on the left end of the flatbed scanner assembly - Stationary window for the moving document fed from the ADF assembly

PC Board

- C8066-60002 Scanner Formatter PC board assembly - Includes the PC board and interconnecting flex cable - Mounts to the left end of the scanner assembly - When upgrading to the new scanner board, also order the RFI shield

Retainer

- 138 C9124-40005 Retainer frame (U-shaped) - Retains the small piece of glass that is used with the ADF assembly - Mounts on the left end of the scanner assembly

Scanner

- 139 C9124-60103 Flatbed scanner assembly - Mounts to the top of the printer

Screw

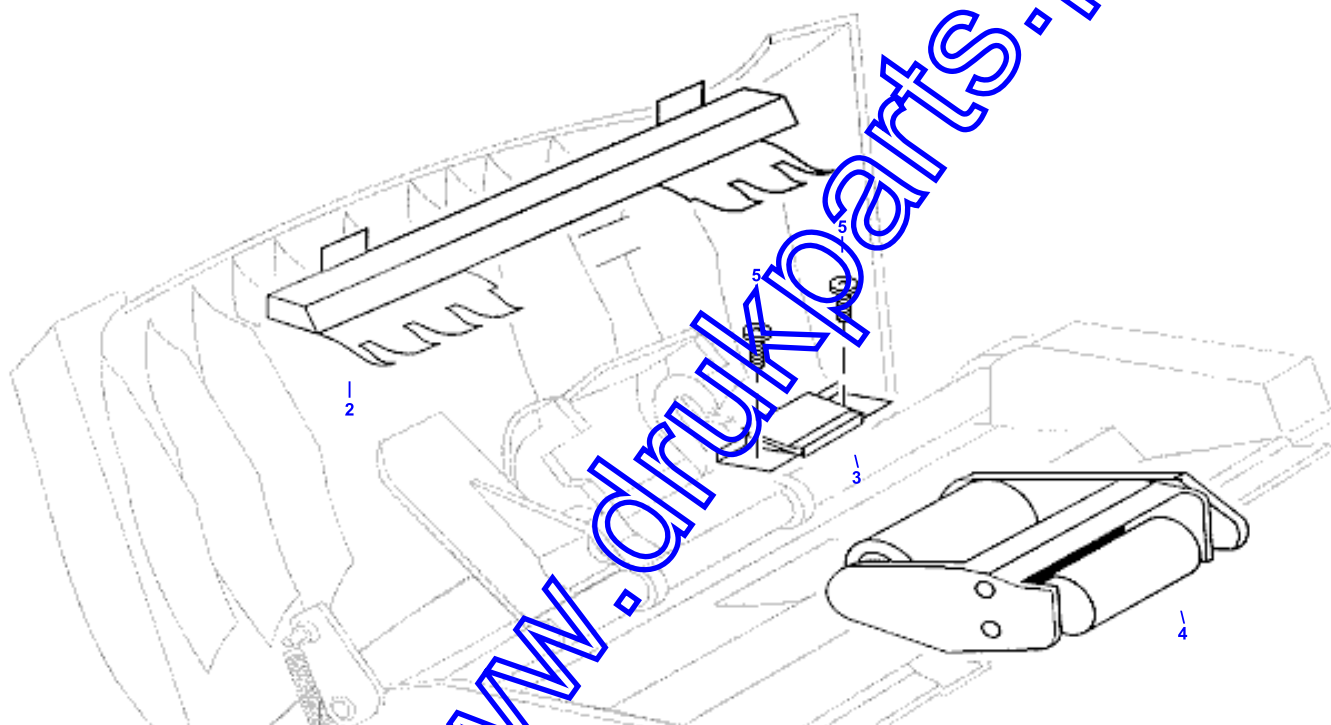
- 140 0515-4257 Pan head taptite screw with washer - M3.0 x 0.5, 6mm long, Number 2 Phillips - The single black screw (of the three screws) that secure the scanner formatter PC board assembly to the scanner case
- 141 0515-4330 Pan head plastite screw with washer - M3.0 x 1.27, 9.1mm long, Number 2 Phillips - Used to secure the scanner side panels, the scanner formatter PC board assembly, the scanner ADF glass frame, and the control panel to the support chassis (10 used)
- 142 0515-4331 Pan head plastite screw with washer - M4.0 x 1.75, 13.1mm long, Number 2 Phillips - For securing the scanner to the printer (four used)

Shield

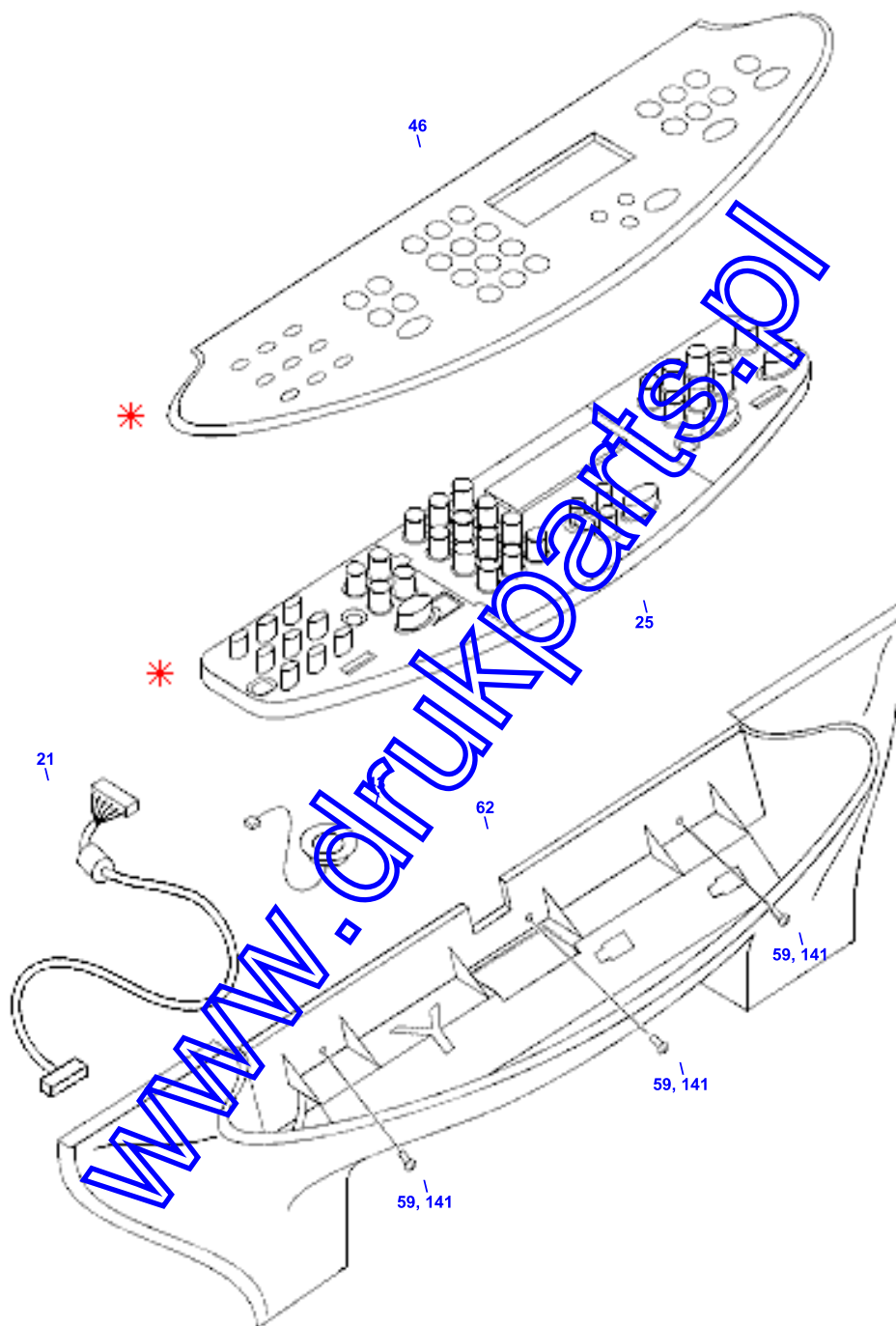
- C9124-00002 RFI shield for the scanner controller PC board assembly

www.hp.com/go/hpparts

ADF Rollers and Separation Pad

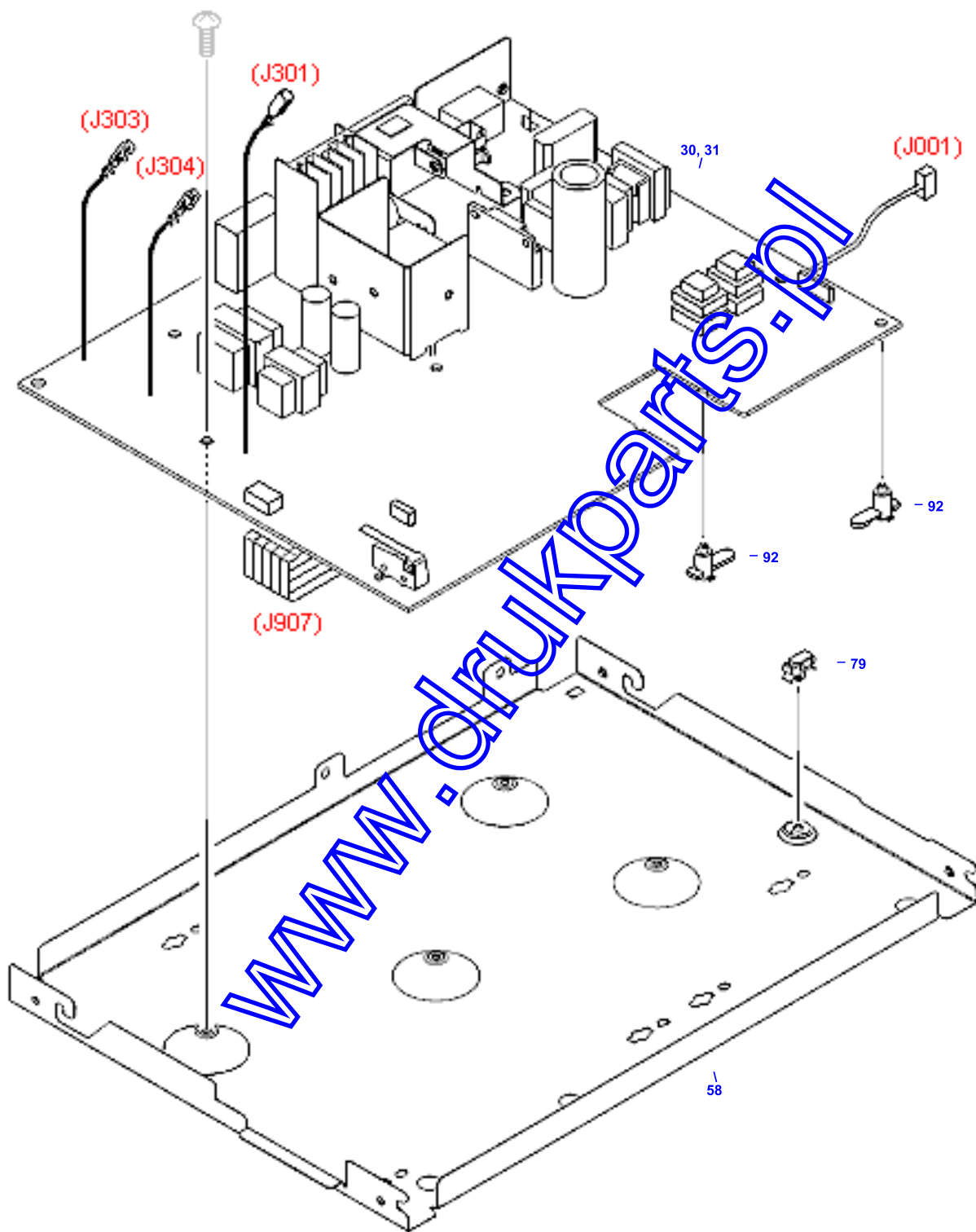


Control Panel Assembly

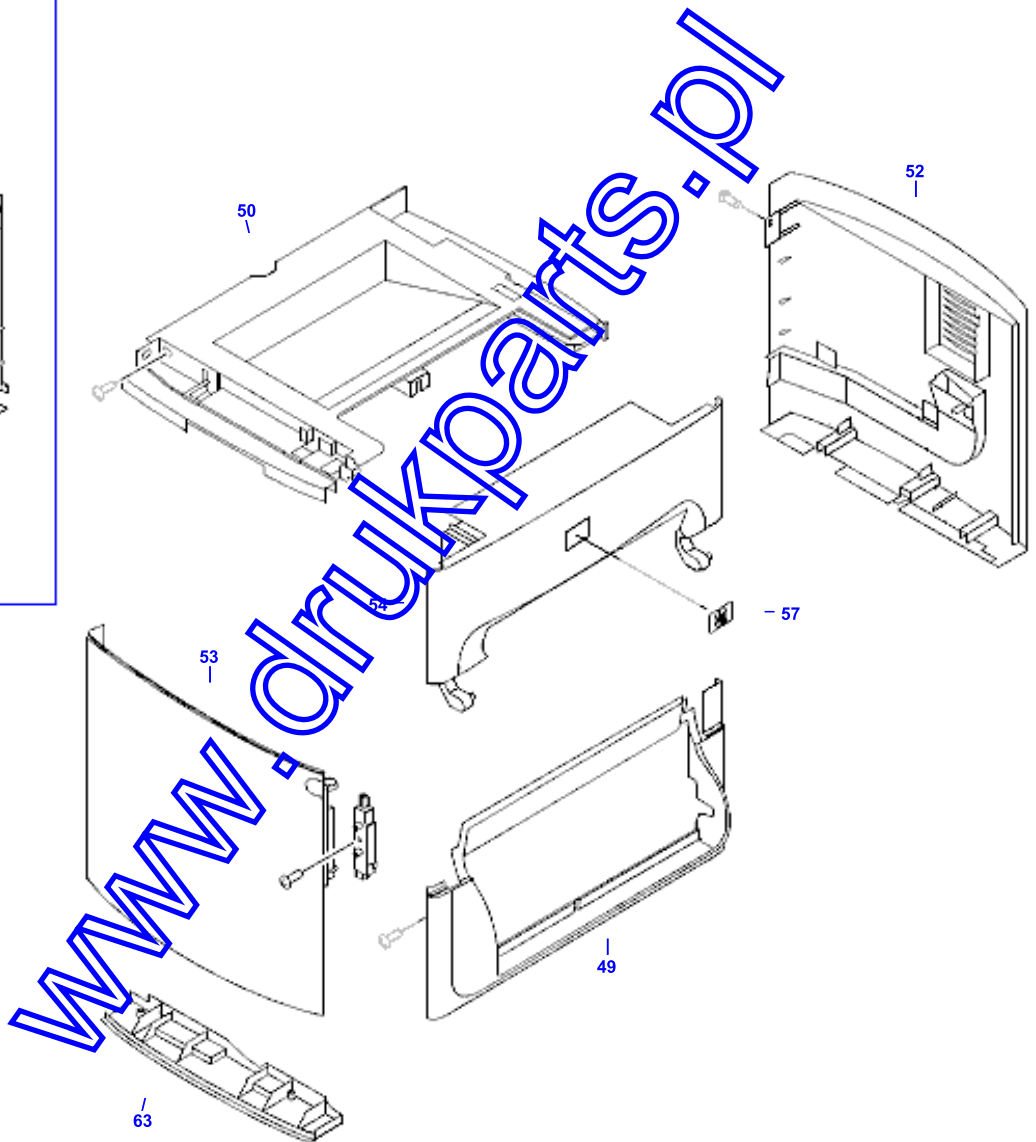
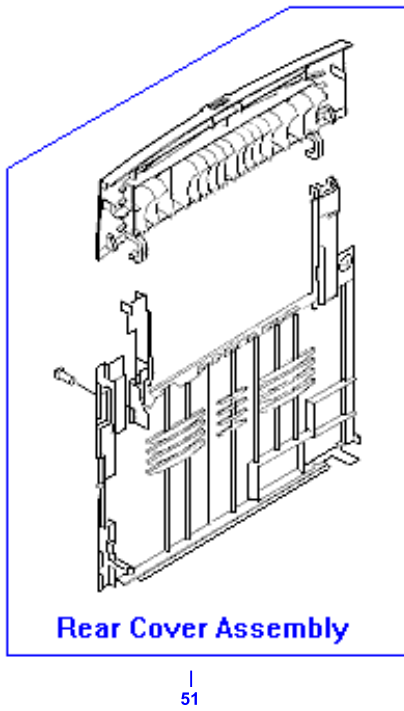


* **Note: The Control Panel Bezel and Keypad Assembly may differ in appearance from what is shown above as it is model dependant.**

Engine Controller PC Board Assembly

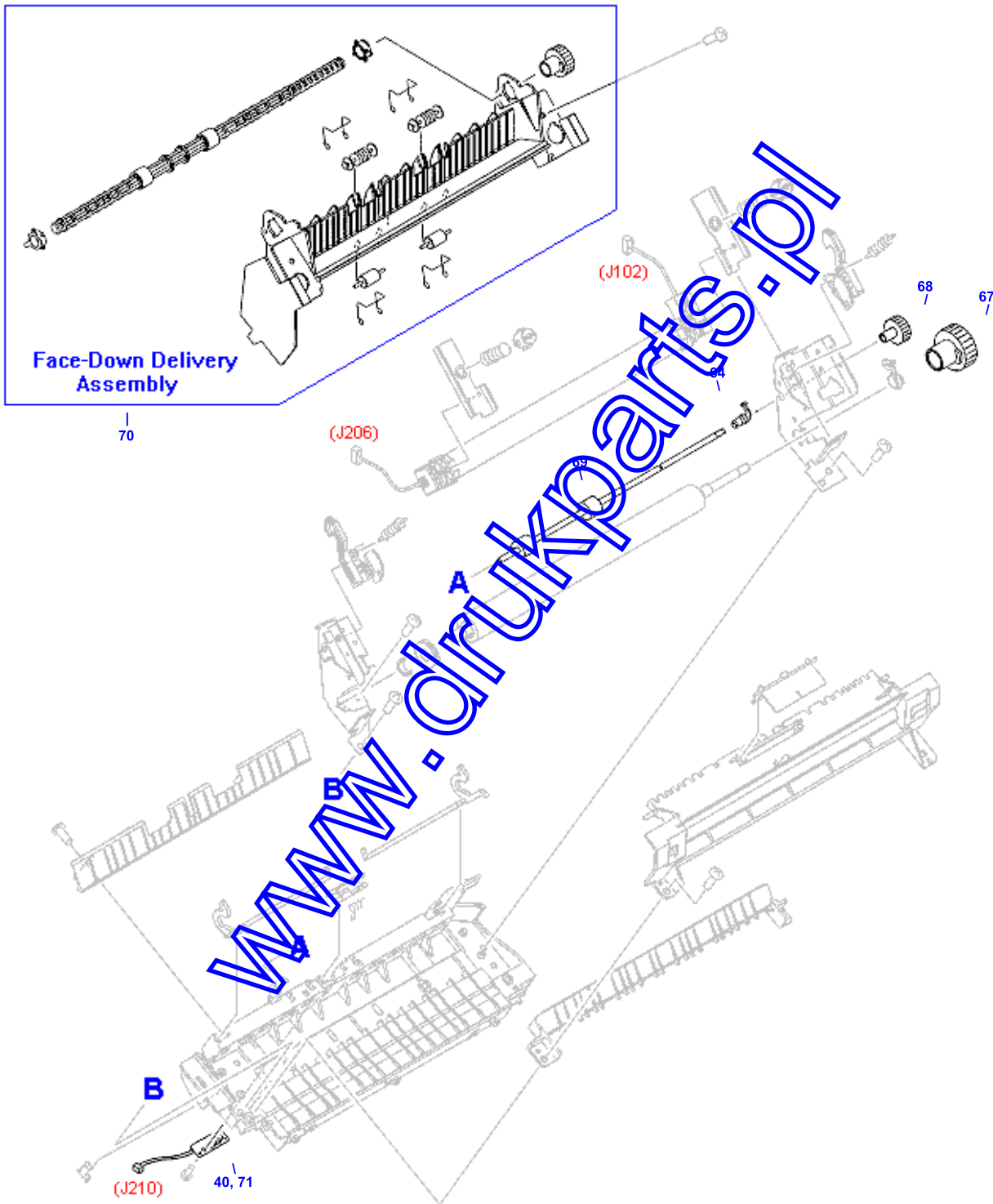


External Printer Covers



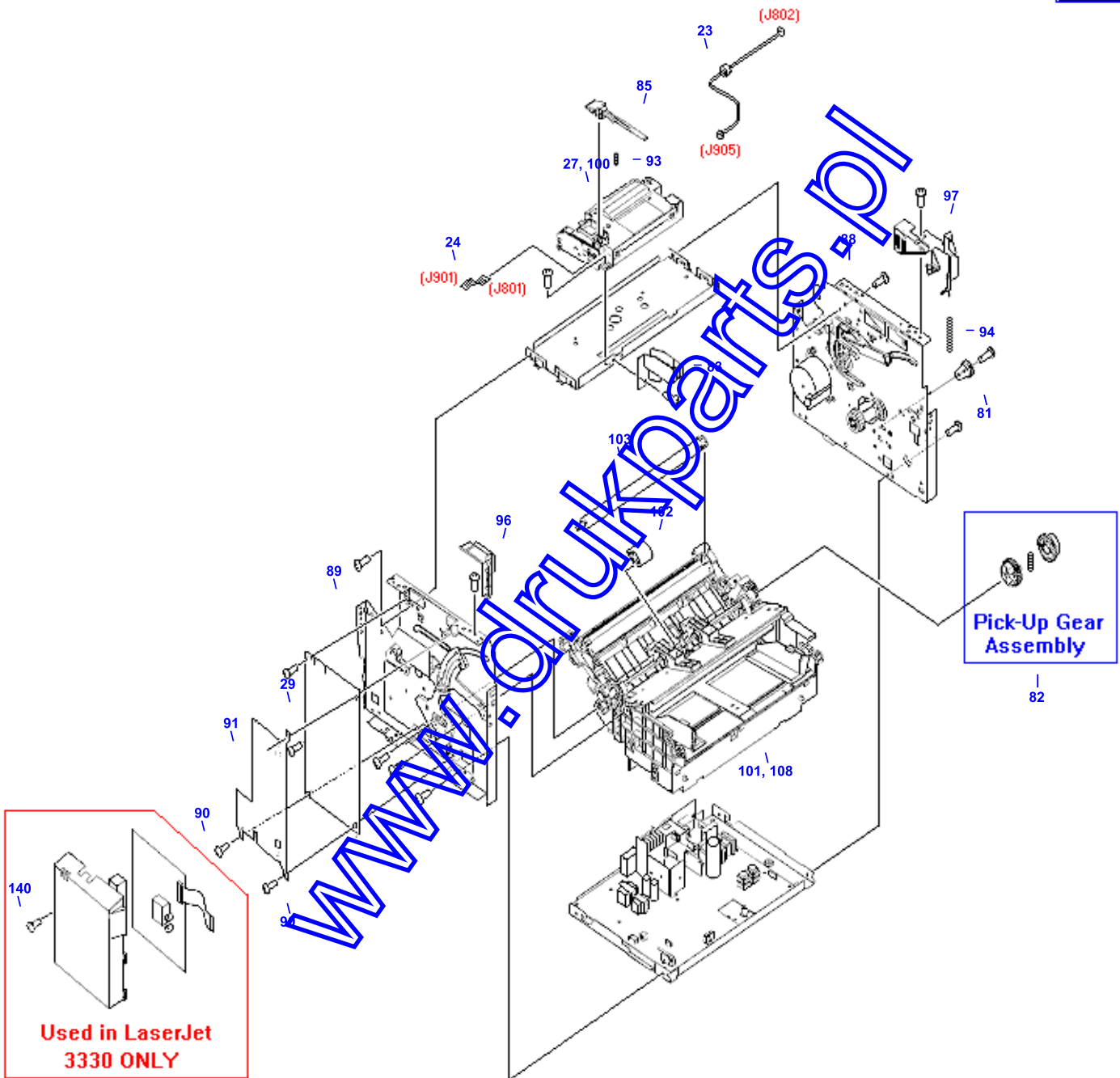
Fusing Assembly

 Fusing Assembly - 65, 66, 98, 99



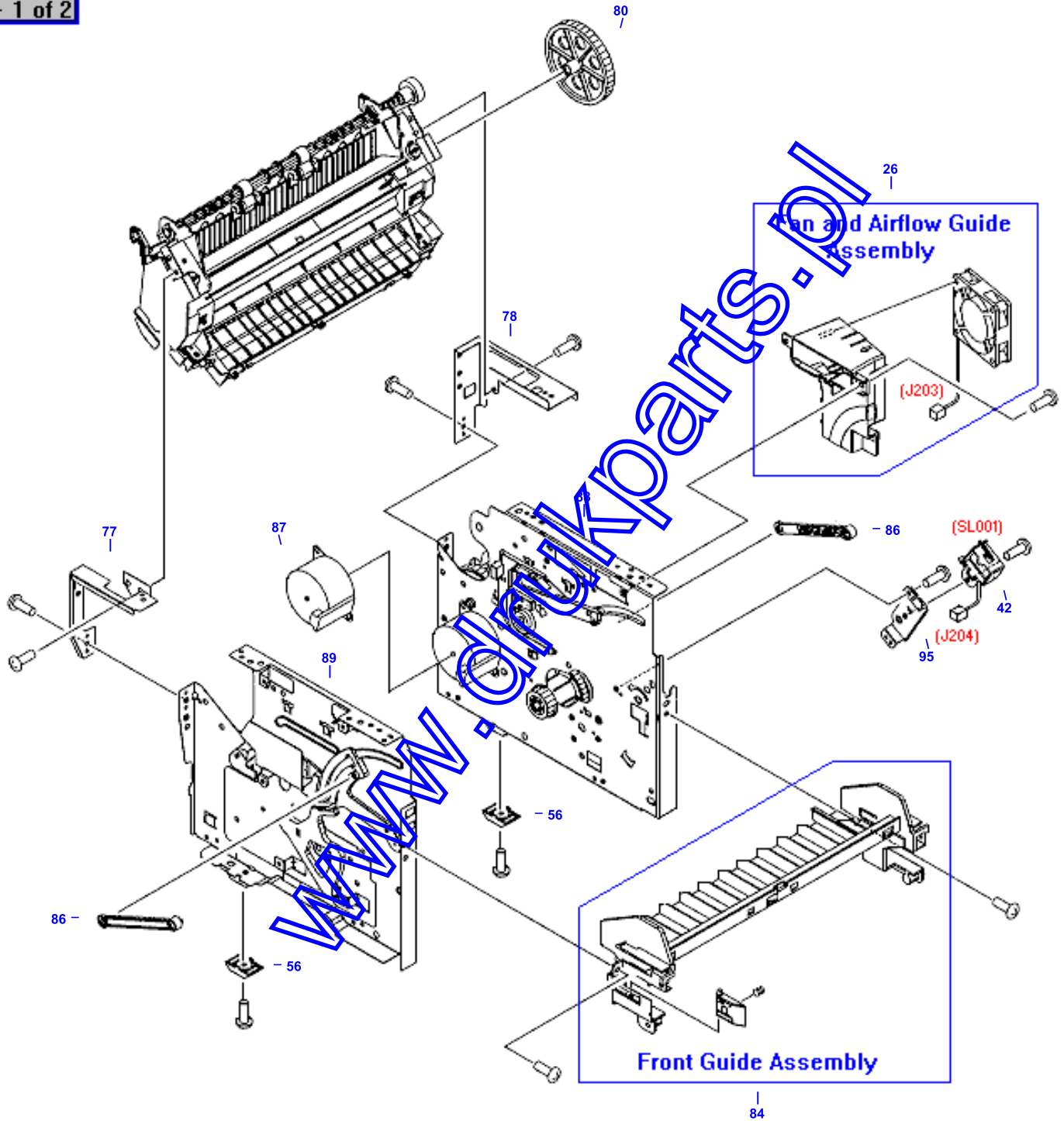
Internal Components (1 of 2)

2 of 2 →

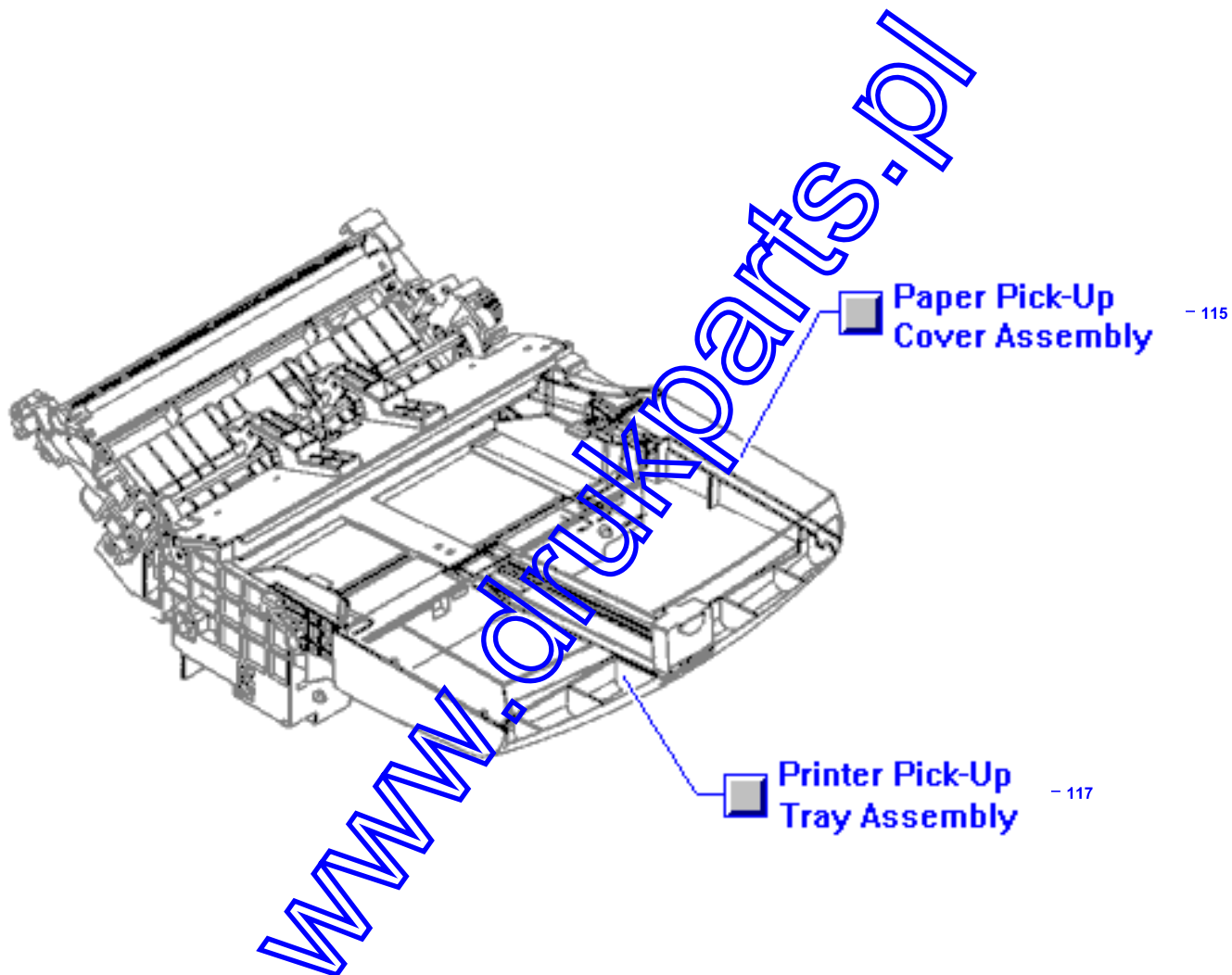


Internal Components (2 of 2)

← 1 of 2



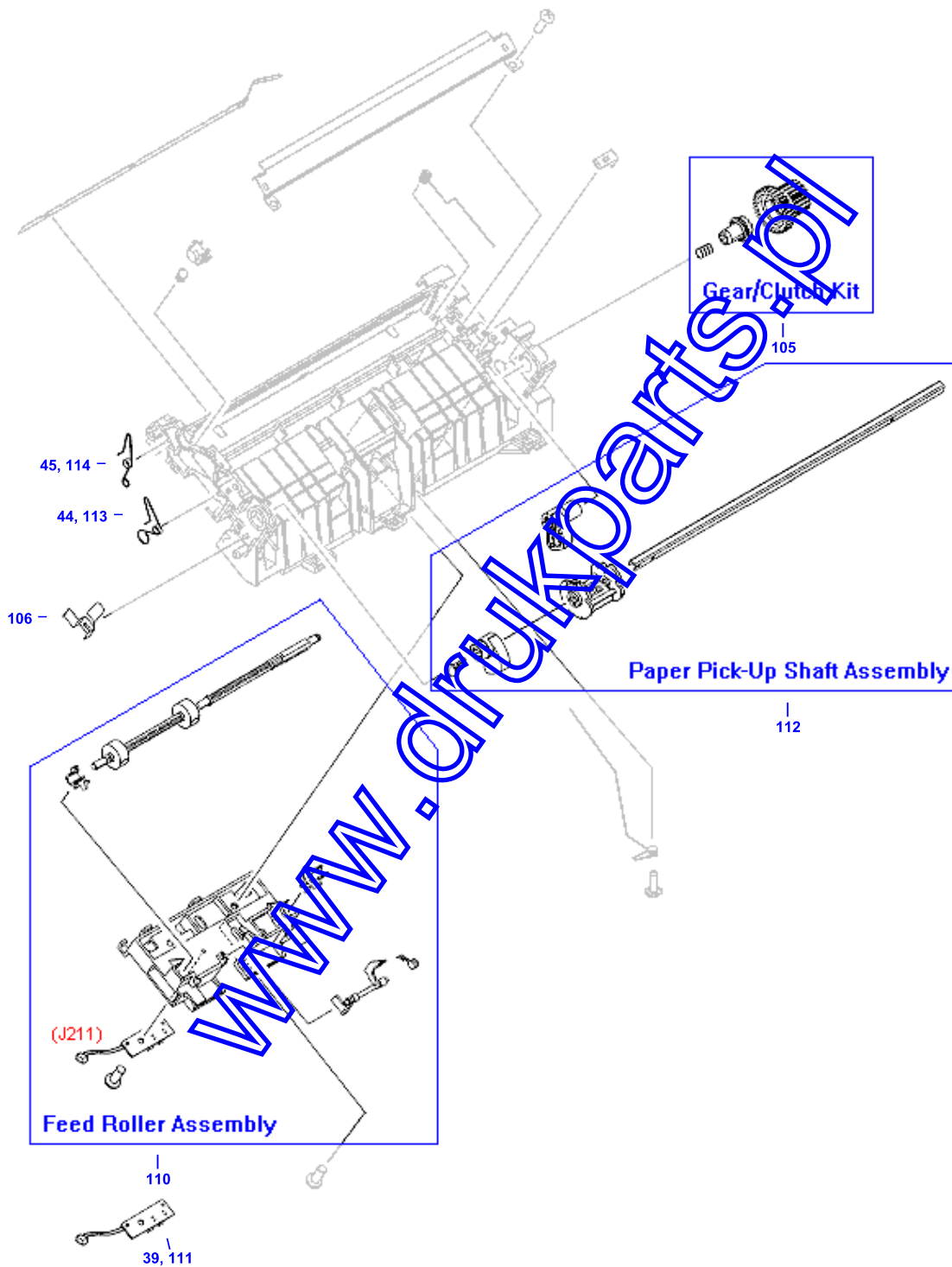
Paper Input Tray



Paper Pick-Up Assembly (1 of 2)

 Paper Pick-Up Assembly - 101, 108

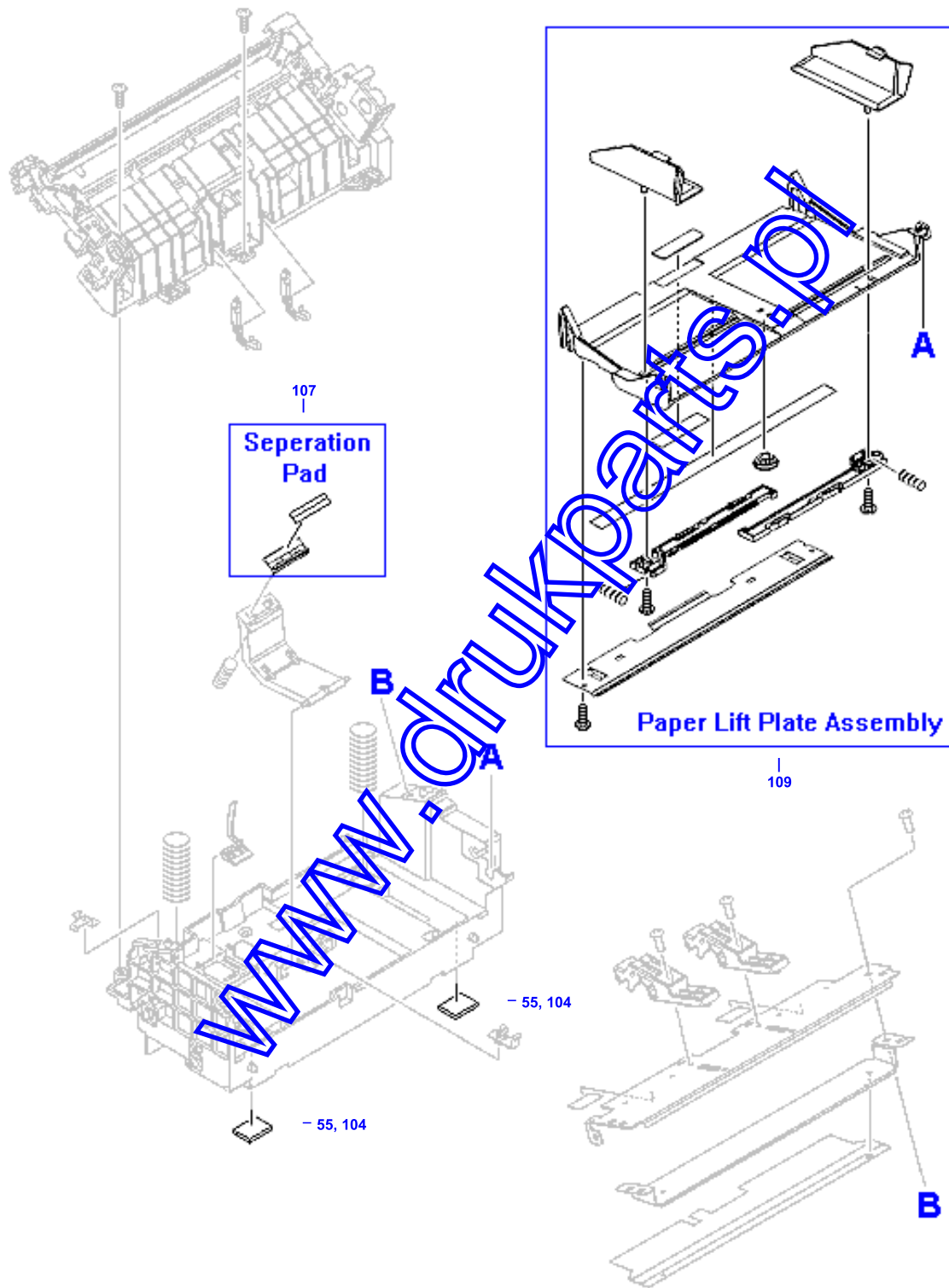
 2 of 2 →



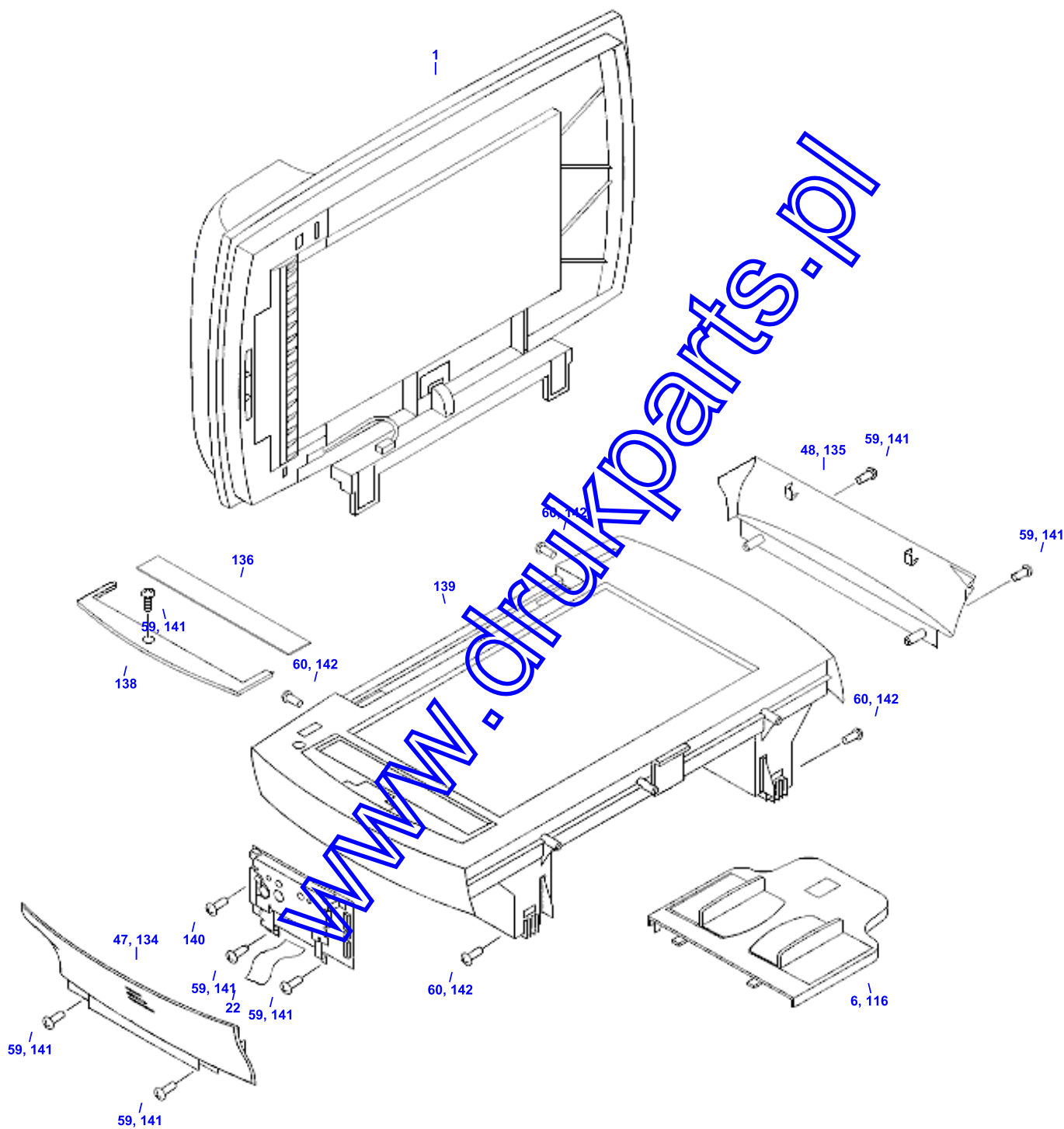
Paper Pick-Up Assembly (2 of 2)

← 1 of 2

 Paper Pick-Up Assembly - 101, 108




Scanner and ADF Assemblies



Screw Kit



 LaserJet 1000/1200 Scw Kit - 61



HP Parts Reference Guide

<http://www.hp.com/go/parts>

HP PartSurfer

<http://partsurfer.hp.com>

HP Parts Ordering Information

<http://www.hp.com/go/hpparts>

HP Parts Questions/Comments

<http://partsurfer.hp.com/contactus.htm>

www.drukparts.pl