



## 250 Sheet Feeder Assembly

### Bushing

- 1 RB2-2895-000CN Shaft bushing/retainer - Pickup roller support bushing on right side - Mounts on and retains the right end of the pick-up roller shaft - For the base on the 250 sheet and 500 sheet input tray assemblies
- 2 RB2-2896-000CN Shaft bushing/retainer - Pickup roller support bushing on left side - Mounts on and retains the left end of the pick-up roller shaft - For the base on the 250 sheet and 500 sheet paper input tray assemblies

### Cover

- RB2-3479-000CN 250 sheet feeder cover
- RB2-3480-000CN 250 sheet feeder drive cover
- RB2-3489-000CN Inner cover (Small Quartz Gray plastic cover)

### Feed Assembly

- RG5-4394-020CN Feed roller assembly - Includes roller, holder and spring

### Foot

- RB2-2816-000CN Rubber foot

### Holder

- RB2-3485-000CN Roller holder

### Housing

- RB2-3471-040CN Tray 3 housing - Bare frame that printer sits on top of printer

### Kit

- RY7-5100-000CN 250 sheet tray separation pad kit - Contains Separation pad, pad holder, pad compression spring and large lift plate spring

### Roller

- 11 RB2-2892-000CN Guide roller (Free spinning white plastic roller) - One on each side of the rubber paper pick-up roller - For the base on the 250 sheet and 500 sheet input tray assemblies
- RB2-3484-000CN Feed roller - Feed roller for sheet feeder - White plastic roller

### Spring

- RS6-2063-000CN Roller spring - Provides pressure for feed roller

## 500 Sheet Feeder Assembly

### Bushing

- 14 RB2-2895-000CN Shaft bushing/retainer - Pickup roller support bushing on right side - Mounts on and retains the right end of the pick-up roller shaft - For the base on the 250 sheet and 500 sheet input tray assemblies
- 15 RB2-2896-000CN Shaft bushing/retainer - Pickup roller support bushing on left side - Mounts on and retains the left end of the pick-up roller shaft - For the base on the 250 sheet and 500 sheet paper input tray assemblies

### Pad

- 16 RF5-4258-000CN Separation pad assembly - Includes the gray plastic frame with the rubber insert strip

### Roller

- 17 RB2-2892-000CN Guide roller (Free spinning white plastic roller) - One on each side of the rubber paper pick-up roller - For the base on the 250 sheet and 500 sheet input tray assemblies

### Tray Assembly

- 18 C7065-67901 500 Sheet Feeder and paper tray assembly - Holds 500 sheets of letter, legal, Executive, A4, A5, or B5 ISO size paper - Includes the feeder base assembly with pickup roller and the paper cassette tray

## Accessories

### Cartridge

- Q2610-60001 Black toner cartridge (Ultra Precise Toner) - Prints approximately 6,000 pages based on a 5% print density

### Interface (Product)

- J4135A JetDirect connectivity card - Has one USB port, one serial (DB9) port and one LocalTalk port - Plugs in the EIO slot on selected DesignJet and LaserJet printers
- J6057A JetDirect 615N internal print server (10Base-T and 100Base-TX) LAN interface board - Plugs into peripheral EIO slot - Has a RJ-45 connector - Comes with software on CD-ROM and manual



## Accessories

### Interface (Product)

J6057AR JetDirect 615N internal print server (10Base-T and 100Base-TX) LAN interface board - Plugs into peripheral EIO slot - Has a RJ-45 connector - Comes with software on CD-ROM and manual

### Kit

C7058-67905 Delivery roller kit - Includes all face-down delivery roller assemblies, upper delivery roller supports, and roller drive gear

C7058-67907 Duplex feed/Paper pick-up kit

Q2472-67901 Return service packaging kit - Contains new box with top and bottom foam set, plastic bag for printer and instruction sheet

U6180-60001 Maintenance Kit (120V) - Includes fuser roller assembly, transfer roller assembly, Tray 1 and Tray 2 pick-up rollers, Tray 1 and Tray 2 separation pads. Procedure requires use of service manual. Not for warranty use

U6180-60002 Maintenance Kit (220V) - Includes fuser roller assembly, transfer roller assembly, Tray 1 and Tray 2 pick-up rollers, Tray 1 and Tray 2 separation pads. Procedure requires use of service manual. Not for warranty use

### Manual

Q2472-90911 LaserJet 2300 series printer service manual - English only

### Memory (DIMM)

C7842-67901 8MB, 100-pin SDRAM DIMM memory module

C7843-67901 16MB, 100-pin SDRAM DIMM memory module

C7845-67901 32MB, 100-pin SDRAM DIMM memory module

### PC Board (Interface)

J4135-61001 JetDirect connectivity card - Has one USB port, one serial (DB9) port and one LocalTalk port

J4167-69001 JetDirect 610N token ring LAN interface board - DB-9 and RJ-45 connectors  
REQUIRES RETURN OF DEFECTIVE PART

*J4167-61001 New Part for J4167-69001*

J6057-69001 JetDirect 615N internal print server (10Base-T and 100Base-TX) LAN interface board - Plugs into peripheral EIO slot - Has one RJ-45 connector  
REQUIRES RETURN OF DEFECTIVE PART

*J6057-61001 New Part for J6057-69001*

### Tray Assembly

C4793-67901 250 Sheet tray assembly

## External Case Parts

### Button

RB2-6294-000CN Power button - Located on left side of printer

### Control Panel

RH6-0226-000CN Control panel assembly - Control panel mounted on upper right front of printer

### Cover

RB2-6283-000CN I/O cover - Hinged panel located on right rear of printer that allows access to concealed I/O cable connections

RG5-5549-000CN Left cover assembly - Includes power button and spring

RM1-0328-000CN Top cover assembly - Face-down output tray and toner cartridge access door

*RM1-0328-030CN New Part for RM1-0328-000CN*

RM1-0329-000CN Right side cover assembly

RM1-0367-000CN Rear cover - Back of printer cover - Includes face-down output tray assembly

### Extension

RB2-6286-000CN Output bin extension - Pull out extension for rear paper output bin

### Foot

RB2-6297-000CN Rubber foot - Square self-adhesive rubber foot



## Fusing Assembly Parts

### Bushing

- RC1-0983-000CN Roller bushing - Delivery roller bushing - Supports right side of delivery roller
- RC1-0988-000CN Pressure roller bushing - Support bushing under each end of fusing pressure roller - 2 used

### Cable

- RG1-4309-000CN Delivery sensor cable assembly

### Flag

- RB2-6402-000CN Paper sensor lever - Actuates PS2301 paper sensor

### Fusing Assembly

- 49 RM1-0354-000CN Fusing roller assembly (For 110V operation) - Bonds toner to paper with heat  
*RM1-0354-050CN New Part for RM1-0354-000CN*
- 50 RM1-0355-050CN Fusing roller assembly (For 220V - 240V operation) - Bonds toner to paper with heat

### Gear

- RC1-0985-000CN Delivery roller gear - Gear on left side of delivery roller - 48 teeth
- RS6-0921-000CN 14 Tooth Gear - Drives delivery roller - Attaches to lower delivery guide
- RS6-0923-000CN 27 Tooth Gear - Attaches to end of pressure roller
- RU5-0166-000CN 12 tooth gear - On left side of feed roller
- RU5-0167-000CN 16 Tooth Gear - Attaches to right end of delivery roller

### Guide

- RC1-0974-000CN Entrance guide - Paper input guide of fusing assembly

### Holder

- RC1-0986-000CN Gear holder - Plastic piece on left side of delivery roller between the 48 tooth gear and paper clearing knob
- RF5-2609-000CN Contact holder - Anchors fusing assembly to chassis

### Knob

- RC1-0984-000CN Paper jam clearing knob

### Plate

- RC1-0976-000CN Pressure plate - Plate that attaches above fusing roller

### Roller

- RC1-0978-000CN Delivery roller - Roller for Upper Delivery Guide - 4 Used
- RC1-0982-000CN Delivery roller - Feeds paper out of fusing assembly
- RC1-0991-000CN Pressure roller - Applies pressure to paper as it feeds through the fusing roller
- RM1-0356-050CN Fusing roller assembly (For 100V to 120V operation) - Includes heating element and fixing film sleeve
- RM1-0357-050CN Fusing roller assembly (For 220V to 240V operation) - Includes heating element and fixing sleeve

### Spring

- RB2-2978-000CN Compression spring - Provides tension for upper delivery rollers mounted on upper delivery guide - 4 used
- RB2-6352-000CN Torsion spring - Provides tension for paper sensor lever
- RU5-2115-000CN Compression spring - Between fusing roller and pressure plate above fusing roller - 2 used

## Internal Parts

### Bushing

- RC1-0922-000CN Roller bushing - Right side transfer roller bushing

### Cable

- 70 RG1-4310-000CN F/G cable - Chassis to scanner mounting plate ground cable
- 71 RG1-4314-000CN Control panel cable assembly
- 72 RG5-5598-000CN Paper-feed cable - Includes the I/F cable from the Engine Controller PCA to the accessory paper tray connector and the Engine Controller PCA ground cable.
- 73 RG5-5599-000CN Interface cable - The I/F cable from the Engine Controller PCA to the accessory paper tray connector - Six conductor/three connector cable



**Internal Parts**

**Cable**

- 74 RG5-5600-000CN Grounding cable - Engine Controller PCA ground cable
- 75 RH2-5580-000CN Flat interface cable - Flat cable that connects between the Formatter and ECU board

**Cover**

- 76 RC1-1013-000CN Front cover - White plastic cover behind drop down Tray 1/MP Tray paper input tray - Attaches with two top screws

**Damper**

- 77 RC1-1038-000CN Tray 1/MP Tray damper - Dampens movement on right side of drop down Tray 1 - White plastic gear mounted on a black plastic arm

**Drive Assembly**

- 78 RM1-0334-000CN Printer drive assembly - Large gear drive assembly on right side of printer

**Duct**

- 79 RC1-1003-000CN Cooling duct - Provides airflow for Laser/scanner assembly

**Fan**

- 80 RH7-1591-000CN Fan - Cooling fan mounted on left side of printer - FM1

**Fuse**

- RH3-8006-000CN Fuse - 8A, 250V max
- WD1-0268-000CN Fuse - 15A, 250V max

**Gear**

- 83 RC1-1039-000CN 26 tooth gear - Tray 1 pick-up roller drive gear
- 84 RC1-1040-000CN 29 tooth gear - Cassette Pick-up gear
- 85 RS6-0445-000CN Registration roller drive gear - 14 tooth
- 86 RU5-0155-000CN Drive gear - Provides power transmission to gear assembly that drives paper feed shaft - 27 tooth
- 87 RU5-0156-000CN Paper feed shaft drive gear - Between paper feed roller and paper feed shaft
- 88 RU5-0168-000CN Drive gear - Upper Delivery Roller drive gear - 15 Tooth

**Gear Assembly**

- 89 RM1-0337-000CN Belt drive gear assembly - Gear assembly on the right side of printer that drives paper feed assembly

**Ground Plane**

- 90 RC1-0911-000CN Static charge eliminator

**Ground Strap**

- 91 RC1-0916-000CN Grounding plate
- 92 RC1-0917-000CN Grounding plate - Attaches to right rear corner of Formatter board

**Guide**

- 93 RB2-2830-020CN Cartridge guide - Right side toner cartridge guide
- RB2-2831-020CN Cartridge guide - Left side toner cartridge guide
- 95 RC1-1002-000CN Cable guide - Attaches to rear of Laser/scanner assembly
- 96 RC1-1019-000CN Cable guide - Black plastic cover that protects flat cable on upper right side of printer
- 97 RM1-0333-000CN Guide assembly - Duplexer portion paper guide assembly

**Hardware**

- XA9-1223-000CN M3 X 6 TP screw

**Hinge**

- 99 RB2-6249-000CN Feed guide hinge
- 100 RB2-6405-000CN Tray hinge - For the left side of the multi-purpose front input tray (Tray 1)
- 101 RB2-6406-000CN Tray hinge - For the right side of the multi-purpose front input tray (Tray 1)

www.drukparts.pl



Internal Parts

**Holder**

RL1-0158-000CN Sensor lever holder - Automatic Duplexer pickup sensor (PS503)

**Insulator**

RC1-0930-000CN Insulation sheet - Plastic insulator sheet between power supply PCA and metal frame

**Lever**

104 RB2-2836-000CN Paper sensor lever - Mechanical device that engages photo sensor

105 RB2-6251-000CN Jam clearing lever - Helps to clear paper jams

**Motor**

106 RH7-1588-000CN DC Motor - Provides power for drive assembly on right side of printer - Motor M1

**Mount**

107 RB2-6255-000CN Fan mount - Secures fan to chassis on left side of printer

**PC Board**

108 WG8-5382-000CN Sensor PC board - Small board with flag activated photosensor

**Plate**

109 RC1-1001-000CN Laser/scanner mounting plate - Plate that attaches to printer chassis; the Laser/scanner assembly mounts to

**Receptacle**

110 RM1-0342-000CN Power Receptacle - Power input receptacle and cable going to power supply PCA

**Retainer**

111 RA0-1068-000CN Continuity cap - Gear retainer

**Rod**

112 RB2-6250-000CN Jam clearing rod - Helps to clear paper jams

**Screw**

113 XB4-7401-007CN Self tapping pan head M4 X 10 screw

XB4-7401-407CN Self tapping truss head M4 X 14 screw

XB6-7300-607CN 6 mm Phillips head screw with attached washer

**Sensor Mechanism**

116 RM1-0335-000CN E-label reader assembly - Sensor that reads toner cartridge information

**Shaft**

117 RU5-0158-000CN Paper feed drive shaft - Connects main drive to paper feed drive assembly

**Solenoid**

118 RH7-5279-000CN Solenoid - Automatic duplexer solenoid - SL3

119 RM1-0324-020CN Cable and guide Assembly - Cables run between Solenoids SL1/SL2 and Engine Controller board - Includes solenoids SL1 and SL2

120 RM1-0331-000CN Duplexer solenoid - SL3

**Spacer**

RC1-0931-000CN PC Board spacer - Power supply board spacer on right edge of board

**Spring**

122 RB2-2837-000CN Torsion spring - Provides tension for paper sensor lever

123 RB2-2843-000CN Torsion spring - Provides a small amount of back pressure for the paper sensor flag

124 RB2-2860-000CN Power button spring - Provides tension for power button

125 RB2-6262-000CN Compression contact spring - Provides electrical voltage contact

126 RB2-6263-000CN Compression contact spring - Provides electrical voltage contact

127 RB2-6266-000CN Leaf spring - Grounding spring

128 RB2-6271-000CN Contact spring - High voltage contact for transfer roller

129 RC1-1009-000CN Compression spring - Provides electrical ground connection



**Internal Parts**

**Spring**

- 130 RS6-2030-000CN Tension spring - Provides support tension for the multi-purpose front input tray guide assembly (two used)
- 131 RS6-2375-000CN Compression spring - Provides pressure for top output bin delivery roller assembly
- 132 RU5-2107-000CN Compression spring - Provides electrical ground connection
- 133 RU5-2108-000CN Compression contact spring - Provides electrical voltage contact
- 134 RU5-2109-000CN Compression spring - Provides tension for right side of transfer roller bushing
- 135 RU5-2112-000CN Tensioning spring - For the paper pick up gear assembly

**Standoff**

- VT2-0012-005CN PC Board support - Plastic standoff for supporting a PC board

**Switch**

- 137 RH7-6051-000CN Microswitch with lever activator

**Logic/Control Electronics**

**Memory (DIMM)**

- Q2651-67906 DIMM memory kit - 2300 Base Firmware Dimm

**PC Board**

- 139 Q1395-60002 Formatter (Main logic) board
- 140 RG1-4307-000CN Engine controller PC board
- RG5-4277-000CN Tray 3 controller board - Paper feed drive PCA - 250 Tray Controller Board - Paper Feed Drive PCA
- 142 RM1-0339-000CN Engine controller assembly - Engine controller PC board and back plate

**Power Supply**

- 143 RG1-4306-020CN Power supply PCA - Power supply board only - For 110V-127V operation
- 144 RG1-4329-020CN Power supply PCA - Power supply board only - For 220V-240V operation
- RM1-0340-000CN Power supply assembly - Includes frame, insulator, sensor holder and PCA - For 100V-127V operation
- RM1-0340-020CN *New Part for RM1-0340-000CN*
- RM1-0340-020CN Power supply assembly - Includes frame, insulator, sensor holder and PCA - For 100V-127V operation
- RM1-0341-000CN Power supply assembly - Includes frame, insulator, sensor holder and PCA - For 220-240VDC operation

**Paper Path Parts**

**Arm**

- 148 RB2-6310-000CN Paper sensor lever - Senses paper at pickup roller
- 149 RB3-0905-000CN Paper sensor arm - Flag for registration photosensor

**Belt**

- 150 RC1-0918-000CN Paper feed belt - Small black belt between paper feed roller and small pulleys toward front - 3 used

**Extender**

- 151 RB2-3036-000CN Tray 1 extender - Flip-out tray extension

**Extension**

- 152 RB2-6404-000CN Tray 1/MP Tray extension - Flip-out extension part of tray connected to the pull-out extension of tray assembly

**Fusing Assembly**

- 153 RM1-0354-000CN Fusing roller assembly (For 110V operation) - Bonds toner to paper with heat
- RM1-0354-050CN *New Part for RM1-0354-000CN*
- 154 RM1-0355-050CN Fusing roller assembly (For 220V - 240V operation) - Bonds toner to paper with heat

**Guard**

- 155 RC1-0919-000CN Leakage prevention sheet - Prevents toner from leaking on media

www.druckparts.pl



## Paper Path Parts

### Guide

- 156 RB2-6401-000CN Rear paper guide - Attaches to base of rear output bin
- 157 RG5-5548-000CN Reverse guide assembly - Guides paper back into printer to print back side when in duplex mode.
- RM1-0362-000CN Upper delivery guide - Has four separate rollers and springs
- RM1-0363-000CN Delivery roller guide - Supports delivery roller

### Laser/Scanner

- 160 RM1-0313-020CN Laser/Scanner Assembly - Mounts on top of print structure

### Pad

- 161 RC1-0939-000CN Separation pad - Tray 1 separation pad - Does not include holder
- 162 RM1-0345-000CN Separation Pad assembly - Separation pad and holder

### Pickup Assembly

- 163 RM1-0332-000CN Paper pickup assembly - Paper pickup assembly for Tray 2 paper cassette

### Plate

- 164 RC1-0912-000CN Center feeding plate - Middle metal piece in center of printer paper path
- 165 RC1-0913-000CN Left feeding plate - Left side metal piece in center of printer paper path
- 166 RC1-0914-000CN Right feeding plate - Right side metal piece in center of printer paper path
- 167 RC1-0915-000CN Front feeding plate - Small front side metal pieces in center of printer paper path - 2 used

### Pulley

- 168 RC1-0933-000CN Belt pulley - Small pulley opposite paper feed shaft for paper feed belt - 3 used

### Roller

- 169 RB2-6277-000CN Top output bin roller - Lower of the two middle set of rollers - 2 used
- 170 RB2-6288-000CN Roller guide - Small white plastic roller in rear paper output tray - 2 used
- 171 RB2-6304-000CN Pick-up roller assembly - Rubber roller on a short shaft with slots on the end - Does NOT include the two flanking hard plastic rollers
- 172 RB2-6400-000CN Face-Down Delivery roller - Lower rollers - Four used
- 173 RC1-0920-000CN Paper feed roller - White plastic shaft with three rollers that drive the three paper feed belts
- 174 RC1-0945-000CN Pickup roller - MP/Tray 1 pickup roller
- 175 RG5-5555-000CN Feed roller assembly - Feed roller for tray 2
- RG5-5555-020CN *New Part for RG5-5555-000CN*
- 176 RM1-0371-000CN Face-down output roller - Black roller shaft with four gray soft rollers attached and white plastic mounting tab on one end

### Roller Assembly

- 177 RG5-5542-050CN Face down delivery roller assembly - Middle two roller assemblies in center of top output bin
- 178 RM1-0343-000CN Transfer roller assembly - Includes left side bushing
- 179 RM1-0346-000CN Multi-purpose tray pick-up roller assembly - Includes pick-up roller, roller cam, right and left cams, both round rollers and dowel pin
- 180 RM1-0347-000CN Registration Assembly - Registration shutter and roller with holder frame assembly
- 181 RM1-0370-000CN Face down top output bin delivery roller assembly - Includes roller and holder

### Tray

- 182 RB2-6287-000CN Rear output tray - Drop down face up rear paper output tray
- 183 RM1-0353-000CN Tray 1 paper input - Adjustable paper width portion of Tray 1 assembly - Mounts above pull-out extension

### Tray Assembly

- 184 RG5-5575-000CN Tray 1/MP Tray assembly - Drop down tray on front of printer



## Paper Tray Parts

### Arm

RB2-3004-000CN	Release arm - Left side lifting plate release arm
RB2-3005-000CN	Release arm - Right side lifting plate release arm
RB2-3009-030CN	Lock arm - Locks rear paper length adjustment plate
RB2-3010-000CN	Paper sensor arm - Indicates on front cover the quantity of paper in tray

### Cover

RB2-3000-000CN	Front cover - Front cover and pull handle for paper tray
----------------	--

### Gear

RS6-0440-000CN	Gear - 10 tooth - Mechanical connection between right and left side paper plates
----------------	--

### Holder

RL1-0171-000CN	Pad holder - Separation pad holder on front of tray
----------------	---

### Pad

192 RC1-0954-000CN	Separation pad assembly in front portion of 250 sheet tray
--------------------	--

### Plate

RB2-3003-020CN	Rear end plate of paper cassette
RF5-2599-000CN	Upper lifting plate
RF5-2606-000CN	Adjustable width plate - Right side paper width stop plate
RG5-4159-000CN	Adjustable width plate - Left side paper width stop plate

### Spring

RB2-3012-000CN	Leaf spring - Provides side tension for paper in tray
RS6-2020-000CN	Plate spring - Provides pressure for paper lifting plate
RS6-2021-000CN	Pad spring - Provides tension for separation pad on front of paper tray
RS6-2035-000CN	Plate spring - Provides tension for left side width plate

### Tray

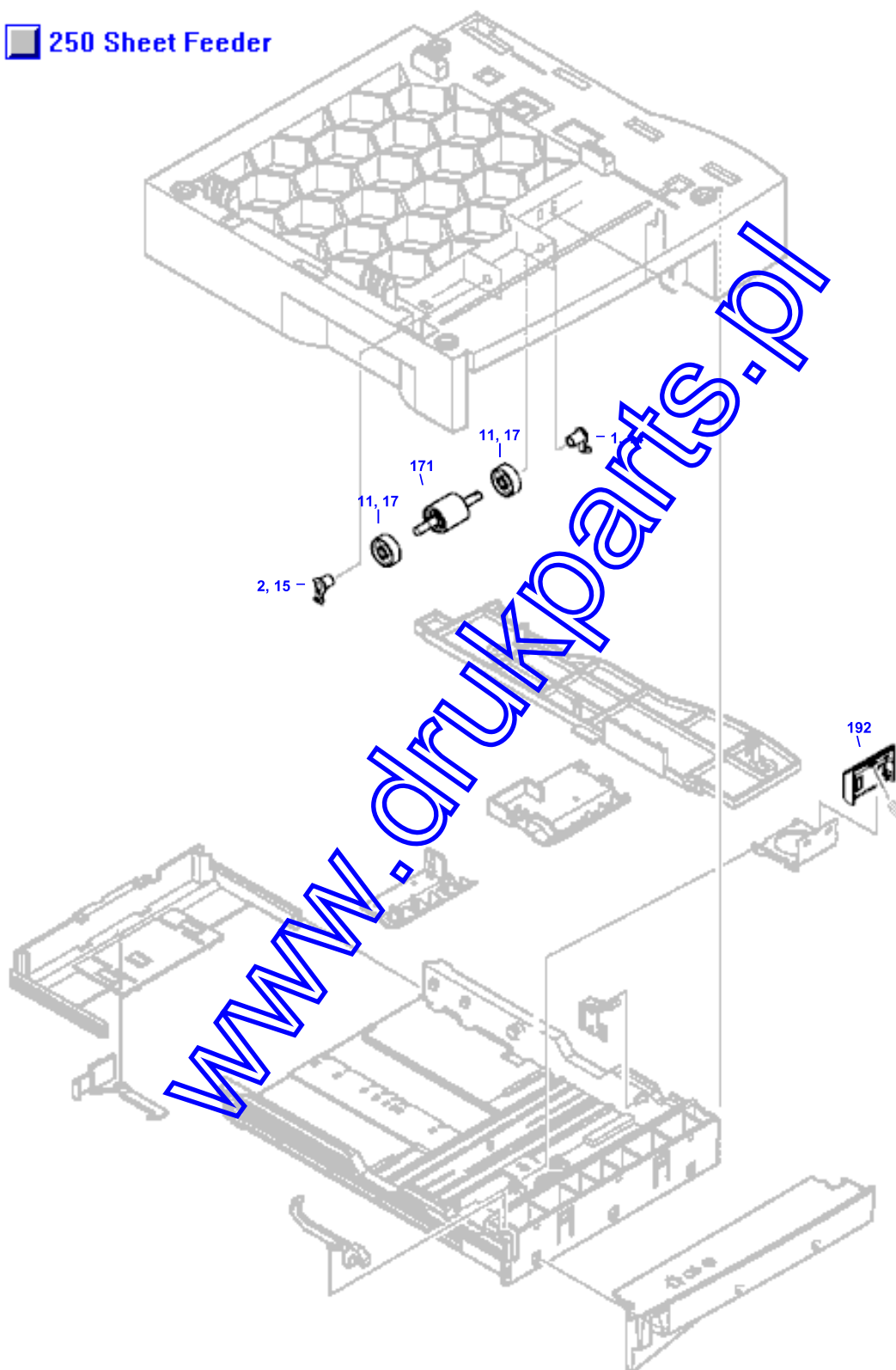
R98-1003-140CN	250 sheet paper tray - Adjusts for letter, legal, Executive, and A4 paper - Used for tray 2 and optional tray 3
RM1-0350-000CN	250 Sheet paper tray - Adjusts for Letter, Legal, Exec, A4 - Used for Tray 2 and optional Tray 3

www.druckparts.pl

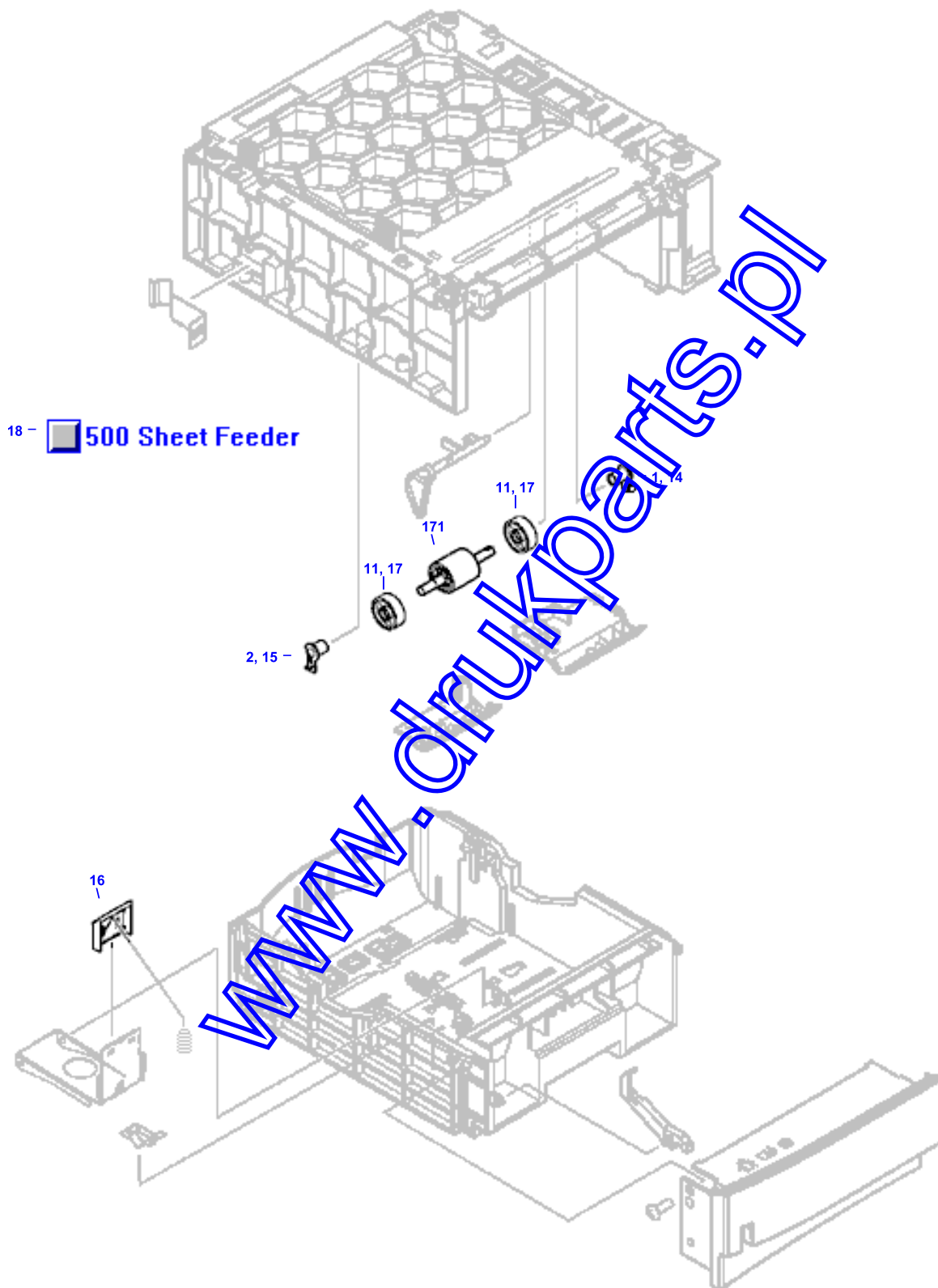


250 Sheet Feeder

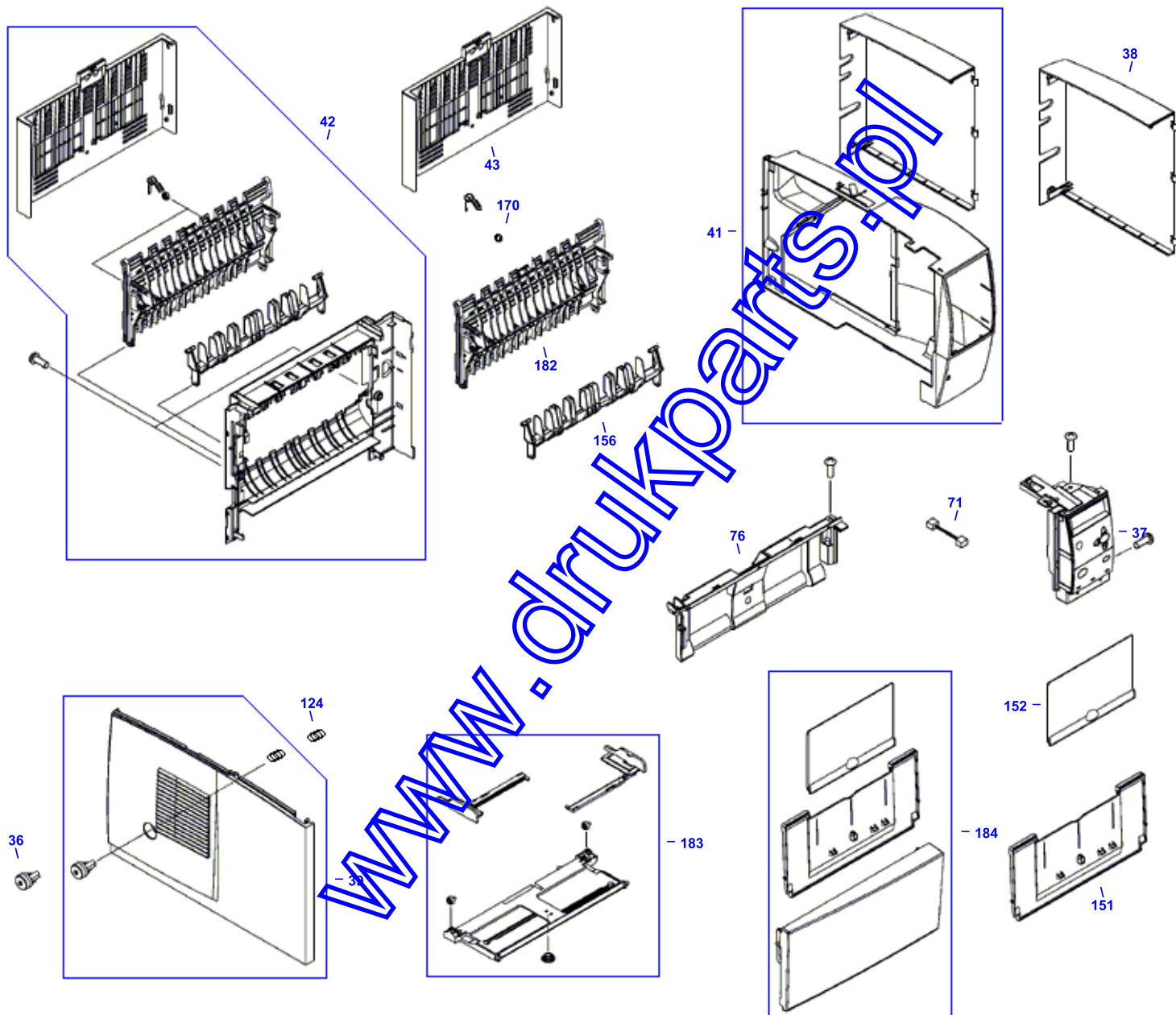
35 -  250 Sheet Feeder



500 Sheet Feeder

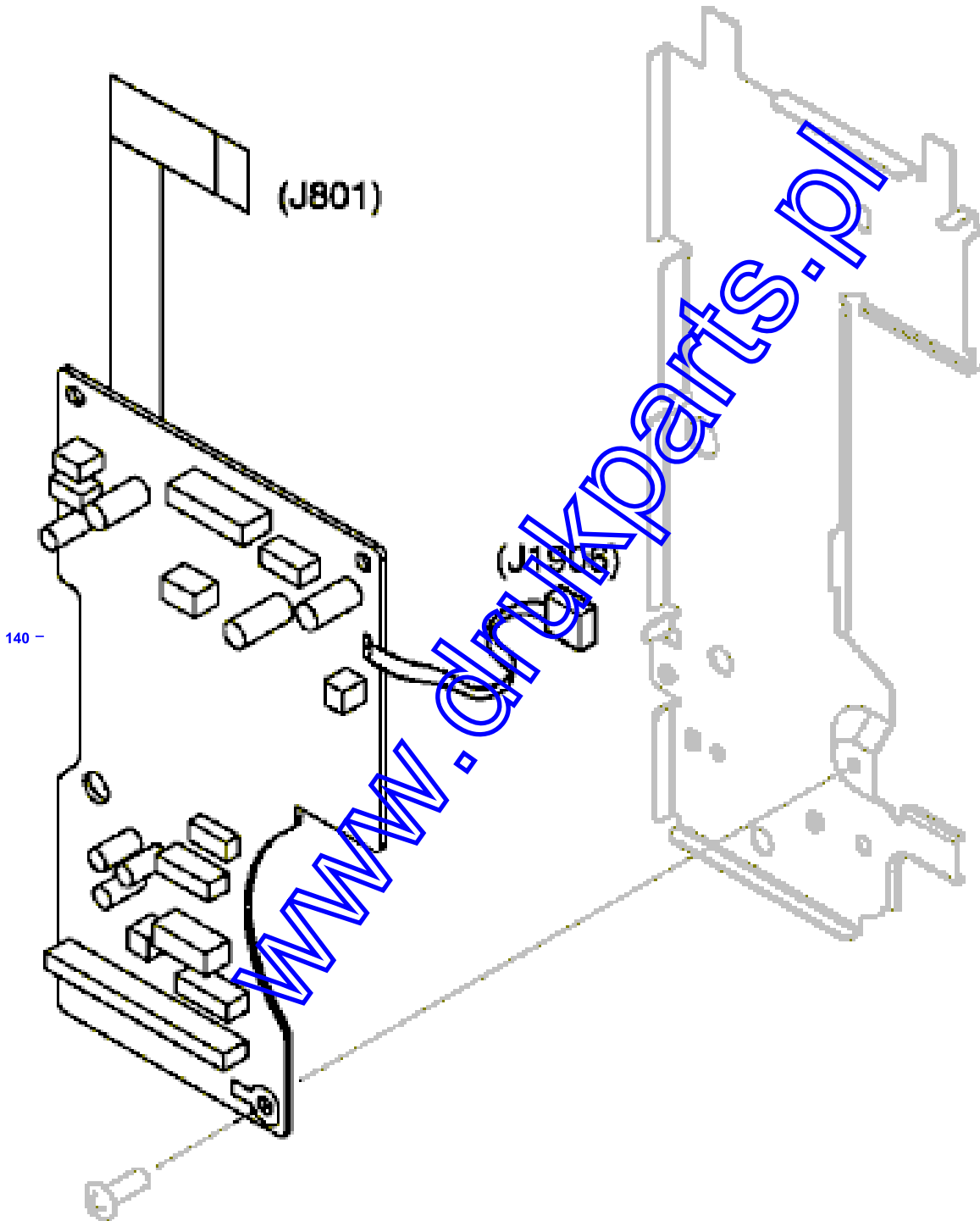


Covers and Panels

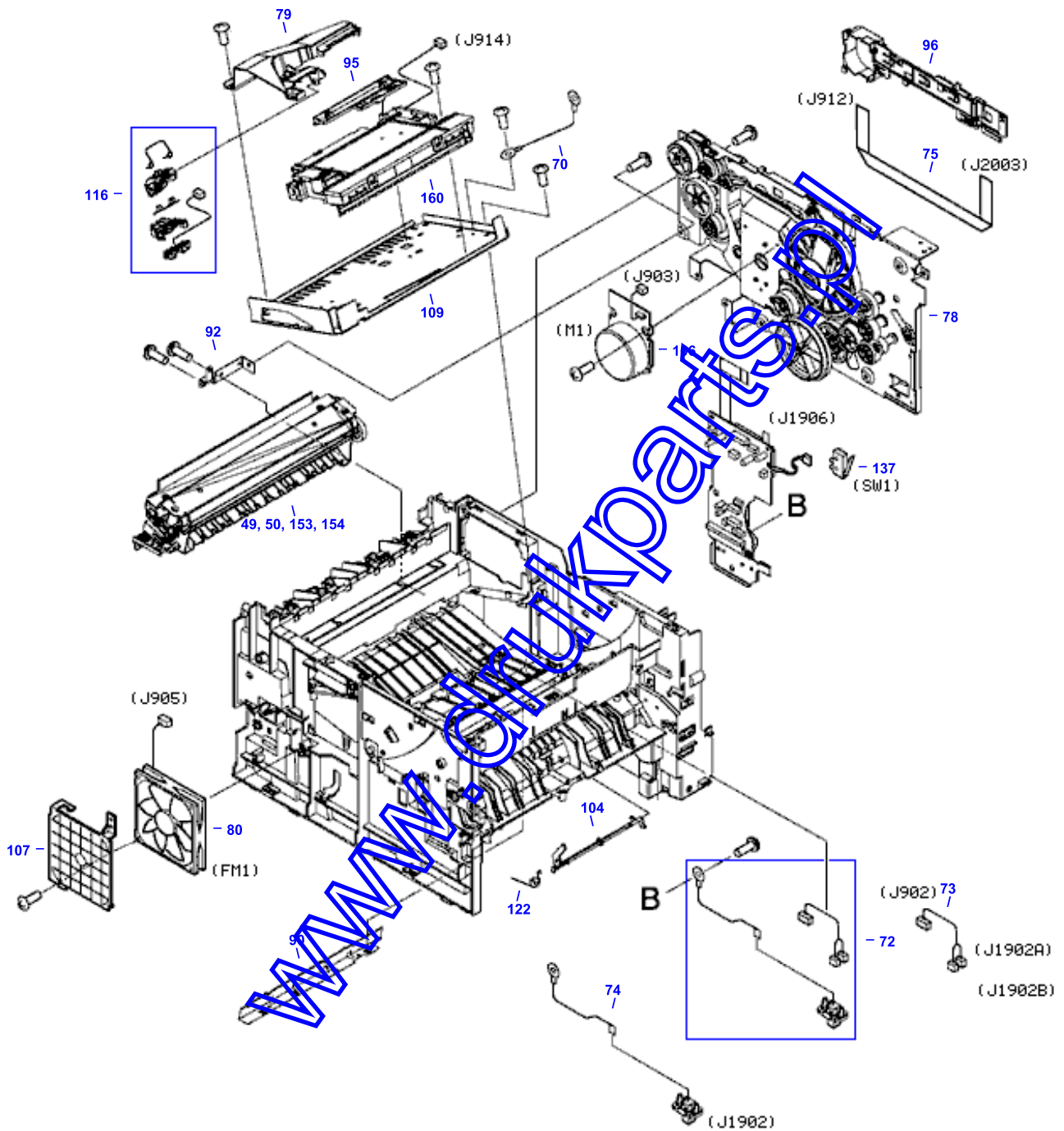


Engine Controller

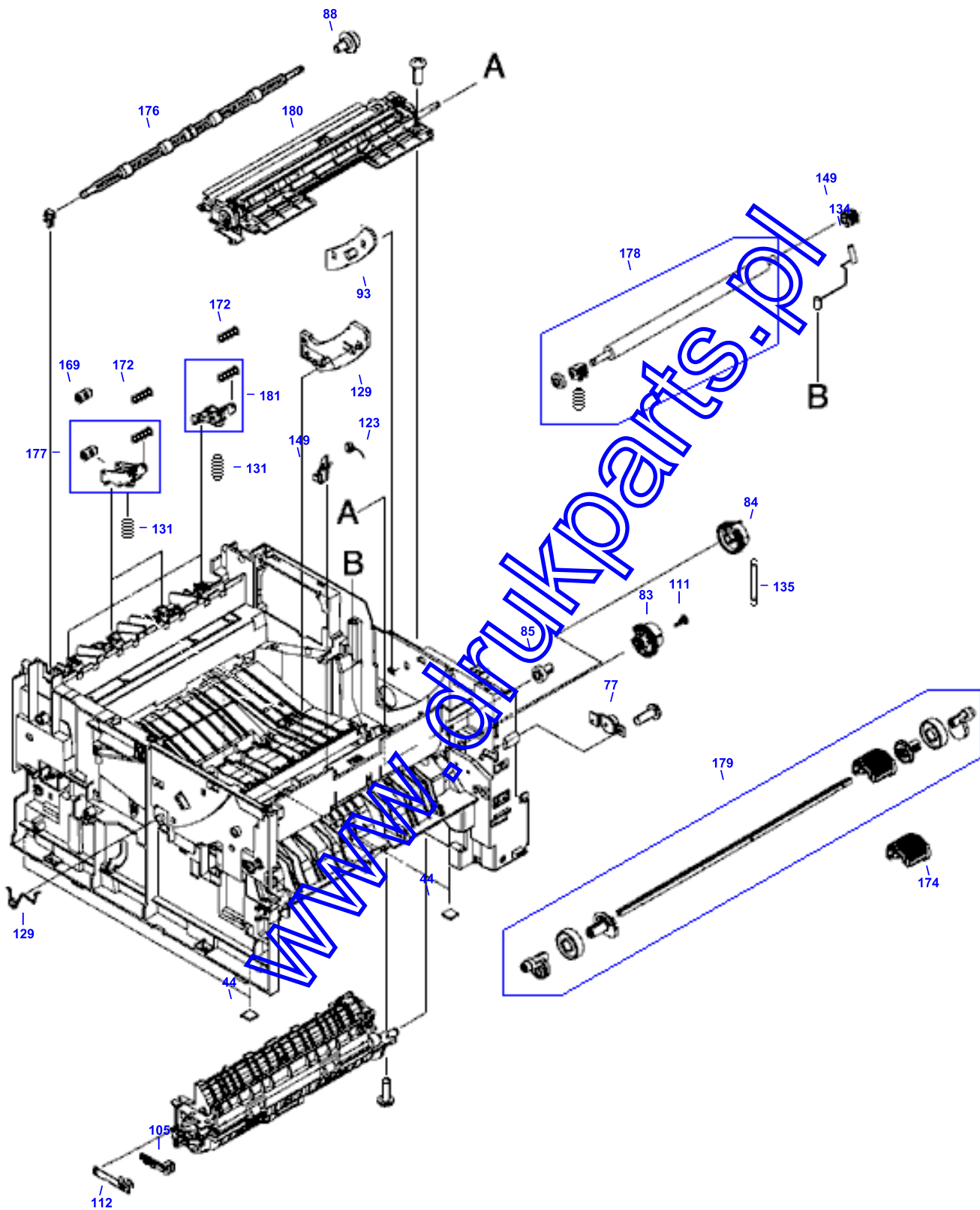
142 -  Engine Controller Assembly



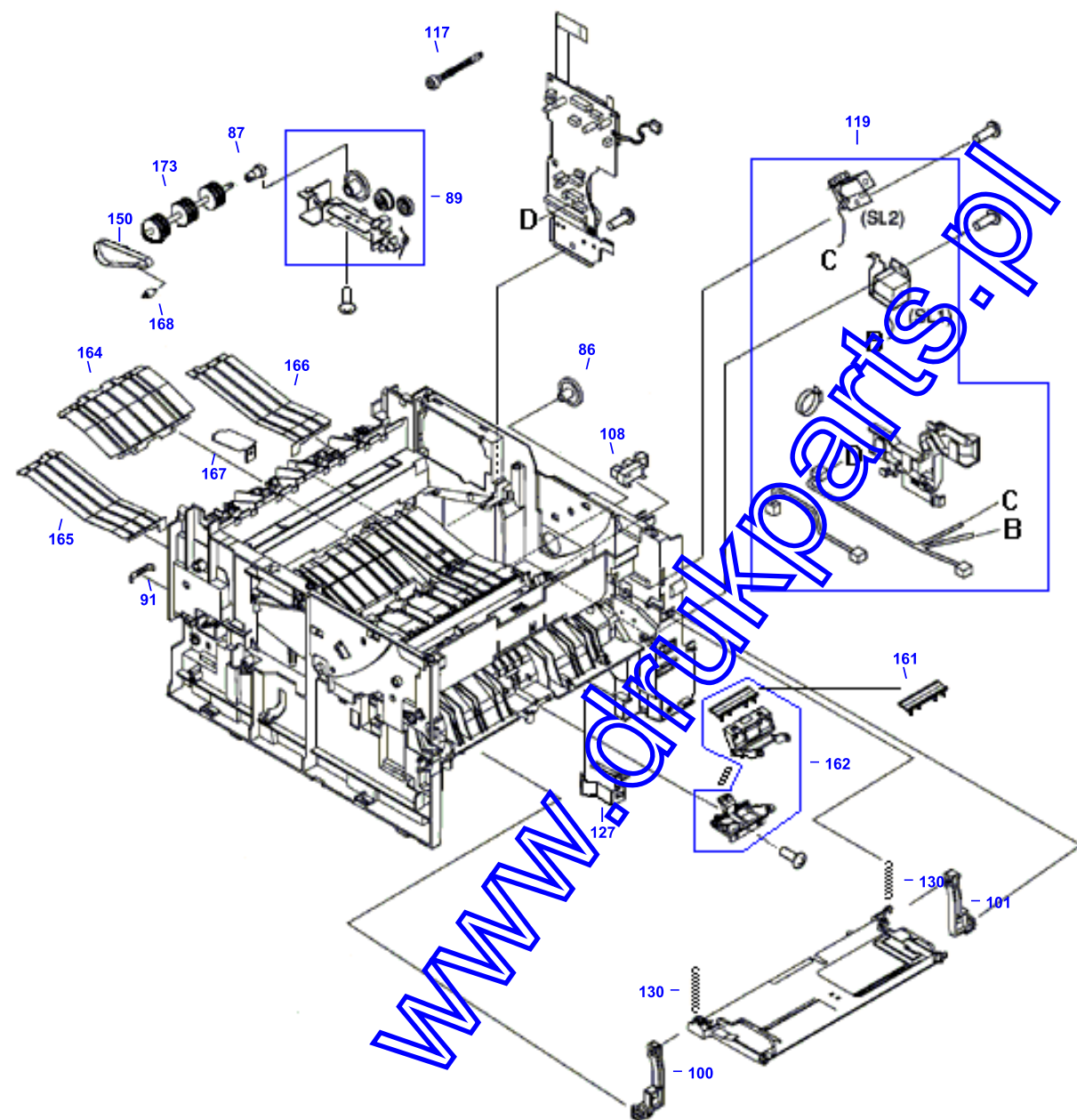
Internal Components (1 of 4)



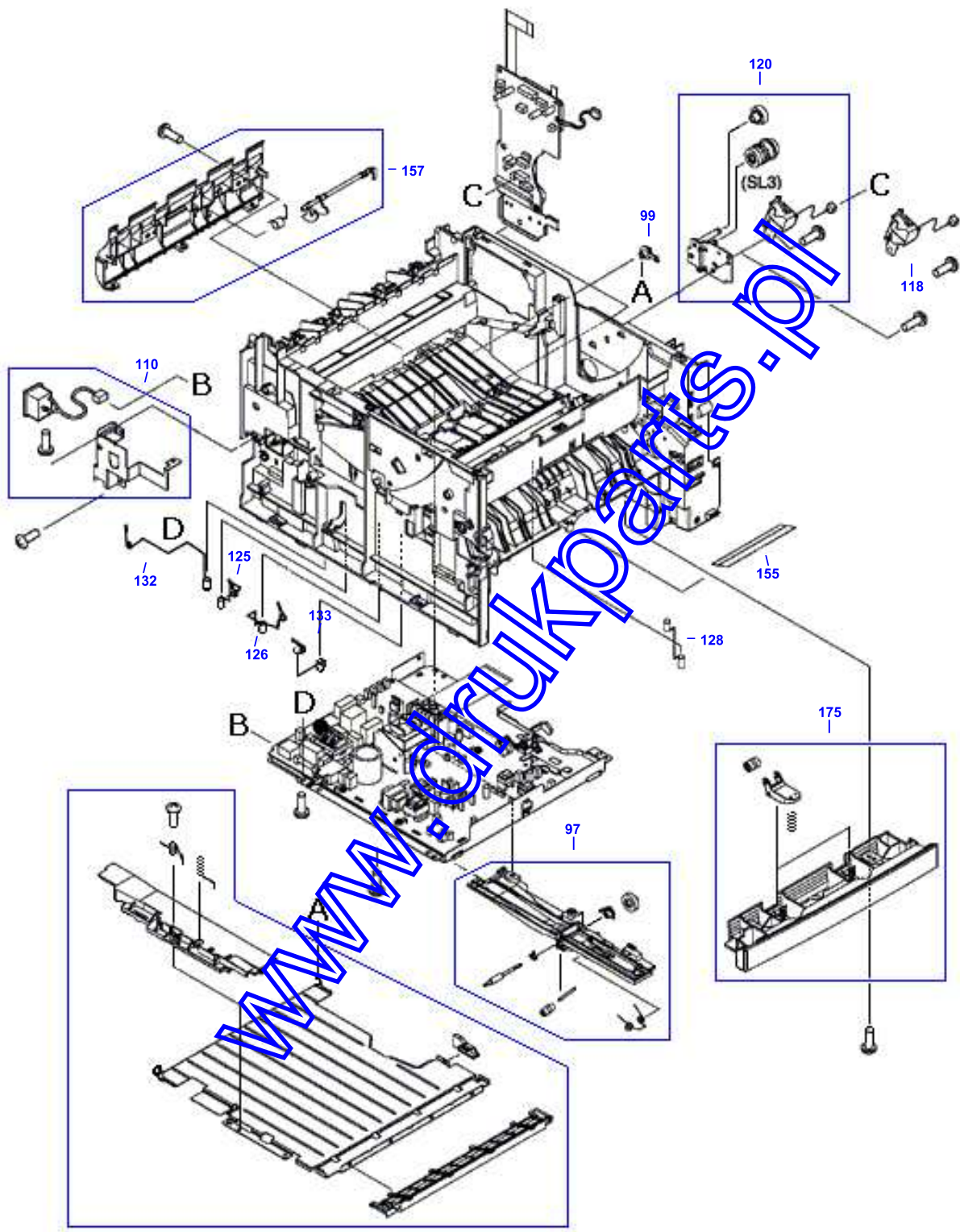
Internal Components (2 of 4)



Internal Components (3 of 4)

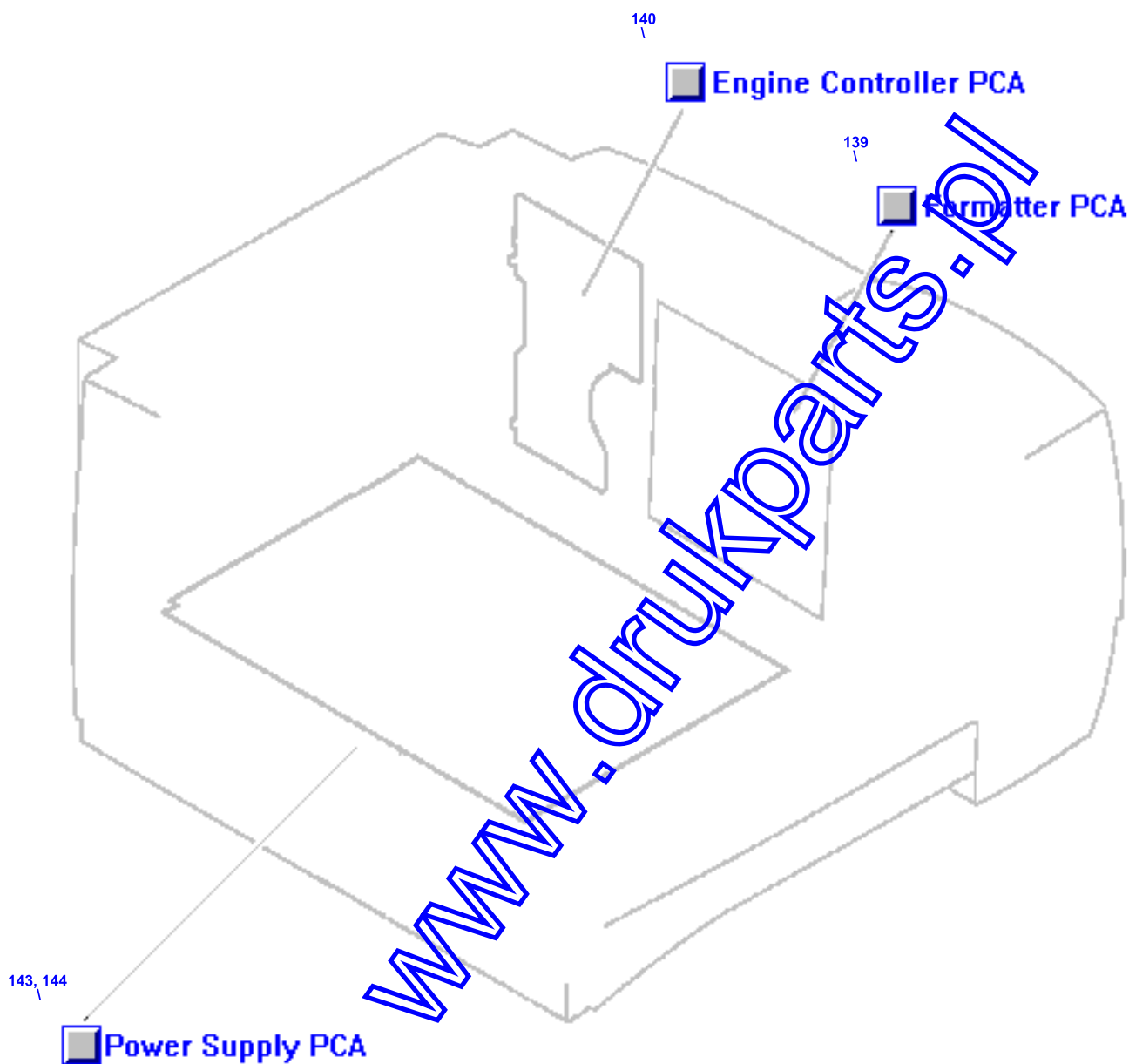


Internal Components (4 of 4)



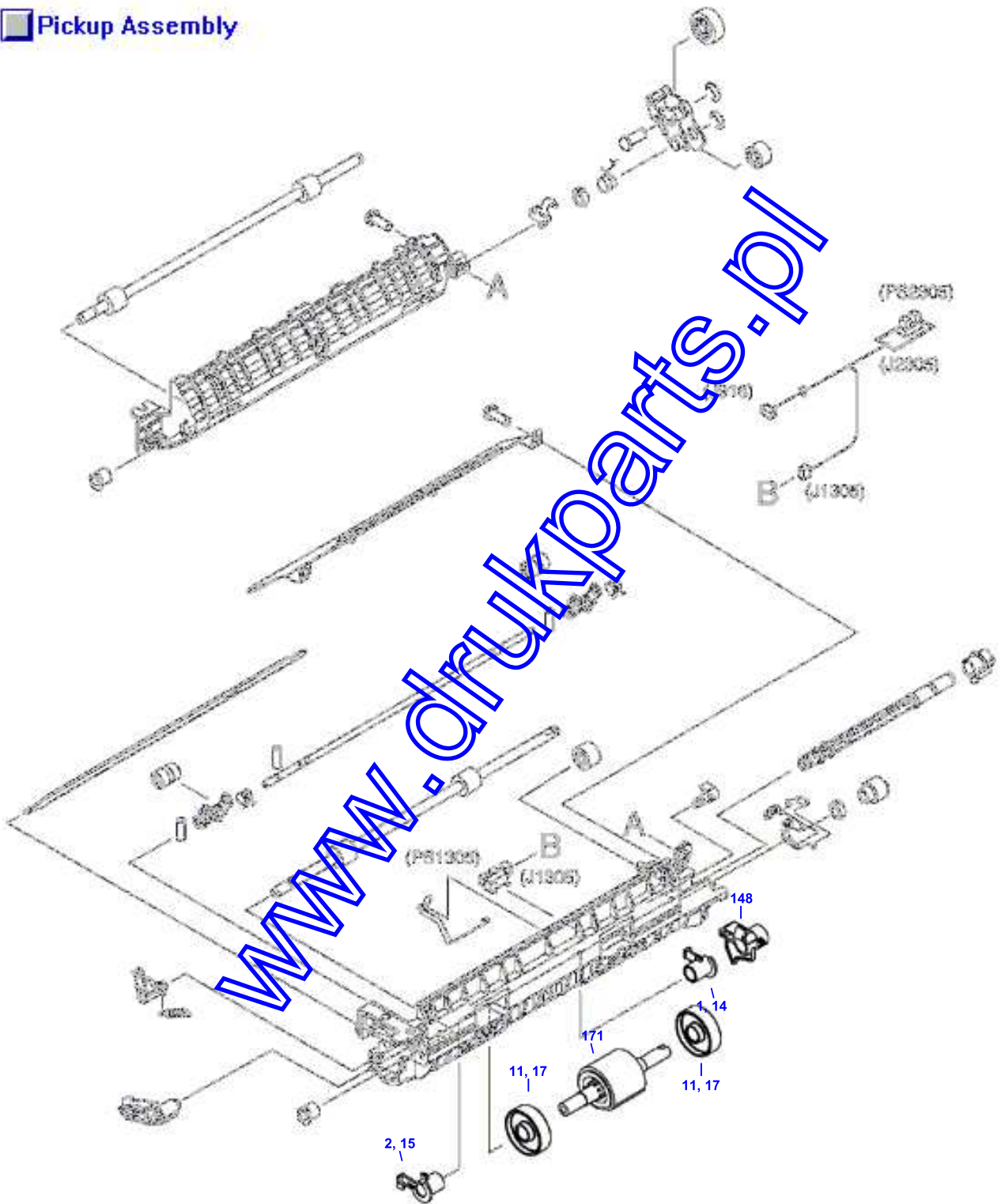


PCA Locations



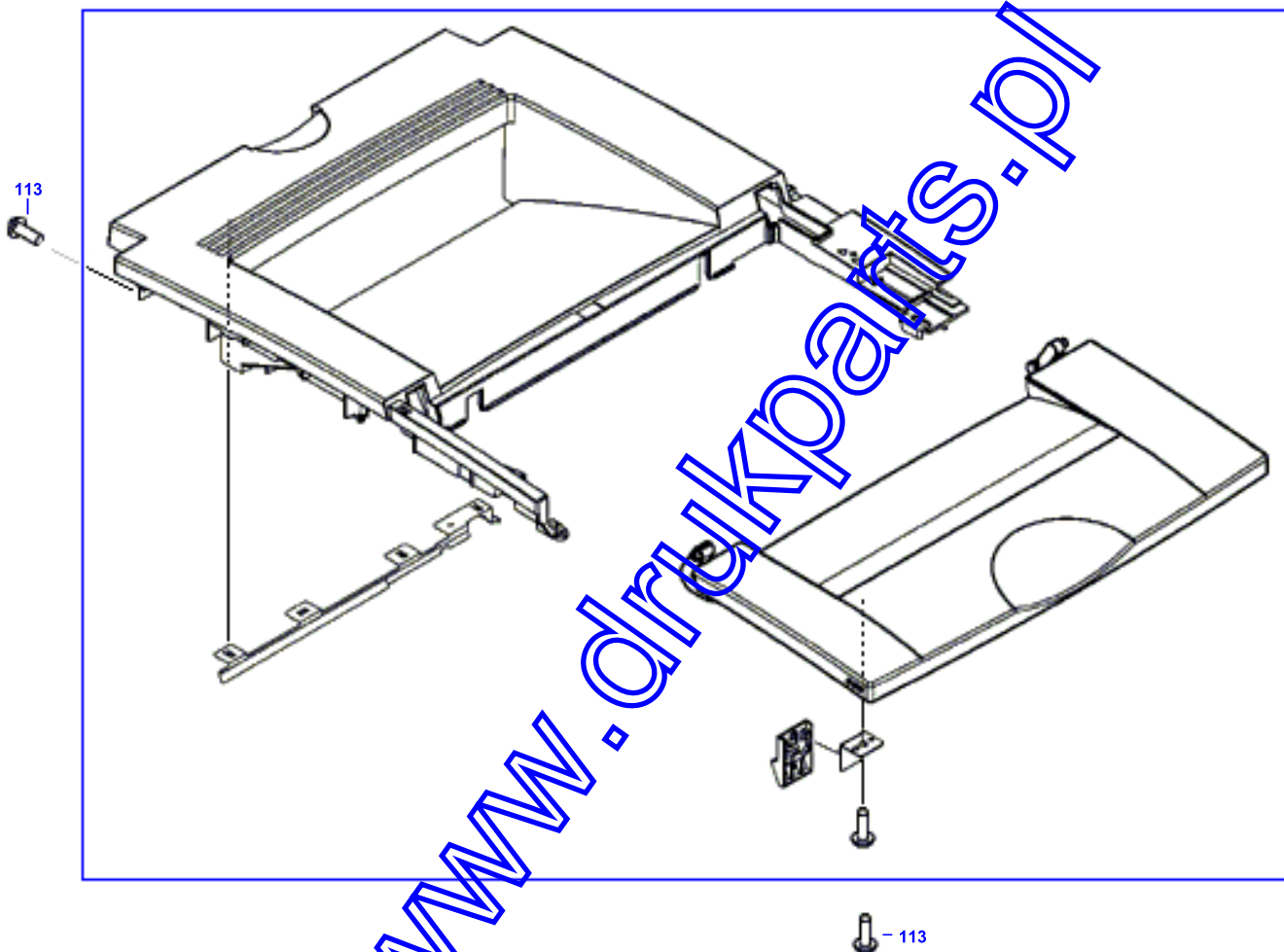
Pickup Assembly

163 -  Pickup Assembly



Top Cover Assembly

40 -  Top Cover Assembly





**HP Parts Reference Guide**

<http://www.hp.com/go/parts>

**HP PartSurfer**

<http://partsurfer.hp.com>

**HP Parts Ordering Information**

<http://www.hp.com/go/hpparts>

**HP Parts Questions/Comments**

<http://partsurfer.hp.com/contactus.htm>

[www.drukparts.pl](http://www.drukparts.pl)