

250 Sheet Feeder Assembly**Bushing**

- 1 RB2-2895-000CN Shaft bushing/retainer - Pickup roller support bushing on right side - Pickup Roller Right Side Support Bushing
- 2 RB2-2896-000CN Shaft bushing/retainer - Pickup roller support bushing on left side - Pickup Roller Left Side Support Bushing
- 3 RB2-3487-000CN Roller bushing - Right side feed roller bushing
- 4 RB2-6470-000CN Roller bushing - Left side feed roller bushing

Cable

- 5 RG5-4278-000CN Sensor cable
- 6 RG5-4280-000CN Relay cable - One connector to two connectors - Six wires
- 7 RG5-4281-000CN Frame ground cable - Ground connection to feed drive housing - Round crimp lug to push-on connector with green wire

Connector

- 8 VS1-6174-006CN Feed drive assembly connector

Cover

- 9 RB2-3479-000CN 250 sheet feeder cover
- 10 RB2-3480-000CN 250 sheet feeder drive cover
- 11 RB2-3489-000CN Inner cover (Small Quartz Gray plastic cover)

Feed Assembly

- 12 RG5-4394-020CN Feed roller assembly - Includes roller, holder and spring

Foot

- 13 RB2-2816-000CN Rubber foot

Gear

- 14 RS6-0501-000CN Drive gear - 15 tooth

Holder

- 15 RB2-3485-000CN Roller holder

Lever

- 16 RB2-3474-000CN Paper sensor lever

PC Board

- 18 RG5-4277-000CN Tray 3 controller board - Paper feed drive PCA
- 19 WG8-5382-000CN Sensor PC board - Small board with flag activated photosensor

Pad

- 17 RB9-0695-020CN Separation pad - Moveable pad in front of Optional 250 sheet paper tray (C4793A)

Roller

- 20 RB2-2891-000CN Pick-up roller assembly - Black and white 'D' shaped pickup roller with a slot in the end of the shaft
- 21 RB2-2892-000CN Guide roller (Free spinning white plastic roller) - One on each side of the rubber paper pick-up roller - (Two used)
- 22 RB2-3484-000CN Feed roller - Feed roller for sheet feeder - White plastic roller
- 23 RB2-3490-000CN Feed roller - Tray 3 feed roller

Spring

- 24 RS6-2063-000CN Roller spring - Provides pressure for feed roller
- 25 RS6-2064-000CN Bushing spring - Provides tension for right side feed roller support bushing

250 Sheet Feeder Drive**Bushing**

- 26 RB2-3475-000CN Support bushing - Feeder drive shaft bushing

Drive Assembly

- 27 RG5-4391-060CN Paper feeder drive assembly



250 Sheet Feeder Drive

Gear

28	RS6-0495-000CN	Clutch gear - 27 tooth
	RG5-4391-060CN	New Part for RS6-0495-000CN
29	RS6-0497-000CN	Cluster gear - 39/34 tooth
30	RS6-0498-000CN	Gear - 45 tooth
31	RS6-0499-000CN	Gear - 39 tooth
32	RS6-0500-000CN	Gear - 17 tooth

Gear/Arm

33	RF5-2755-000CN	Swing gear - Swing assembly includes upper cluster gear
----	----------------	---

Hook

	RB1-2190-000CN	Pick-up roller spring hook
--	----------------	----------------------------

Pin

35	RB1-6133-000CN	Hook spring anchor pin
----	----------------	------------------------

Plate

36	RB2-3481-000CN	Solenoid plate
----	----------------	----------------

Shaft

37	RB2-2893-000CN	Drive shaft - Drives pickup roller
----	----------------	------------------------------------

Solenoid

38	RH7-5213-000CN	Drive solenoid - Engages swing gear assembly
----	----------------	--

Spring

39	RB2-3478-000CN	Leaf spring - Provides tension for drive shaft bushing
40	RS6-2061-000CN	Clip spring - Provides tension for clip
41	RS6-2062-000CN	Swing gear spring - Provides tension for swing gear assembly

500 Sheet Cassette

Pad

42	RB2-6474-000CN	Separation pad - Small rectangular rubber pad on front of cassette arm - Not the one on metal lifting plate
----	----------------	---

Tray

43	RG5-5623-000CN	500 sheet paper tray - Adjusts for letter and legal size paper
----	----------------	--

500 Sheet Feeder Assembly

Bushing

44	RB2-2895-000CN	Shaft bushing/retainer - Pickup roller support bushing on right side - Pickup Roller Right Side Support Bushing
45	RB2-2896-000CN	Shaft bushing/retainer - Pickup roller support bushing on left side - Pickup Roller Left Side Support Bushing
46	RB2-6470-000CN	Roller bushing - Left side feed roller bushing

Cable

47	RG5-4280-000CN	Relay cable - One connector to two connectors - Six wires
48	RG5-4281-000CN	Frame ground cable - Ground connection to feed drive housing - Round crimp lug to push-on connector with green wire

Connector

49	VS1-6174-006CN	Feed drive assembly connector
----	----------------	-------------------------------

Cover

50	RB2-3489-000CN	Inner cover (Small Quartz Gray plastic cover)
----	----------------	---

Feed Assembly

51	RG5-4394-020CN	Feed roller assembly - Includes roller, holder and spring
----	----------------	---



500 Sheet Feeder Assembly

Foot

52 RB2-6297-000CN Rubber foot - Square self-adhesive rubber foot - For bottom of 500 sheet feeder (four used)

Gear

53 RS6-0501-000CN Drive gear - 15 tooth

Holder

54 RB2-3485-000CN Roller holder

Roller

55 RB2-2892-000CN Guide roller (Free spinning white plastic roller) - One on each side of the rubber paper pick-up roller - (Two used)

56 RB2-3484-000CN Feed roller - Feed roller for sheet feeder - White plastic roller

57 RB2-6304-000CN Pick-up roller assembly - Rubber roller on a short shaft with slots on the end - Does NOT include the two flanking hard plastic rollers

Sensor

58 WG8-5364-000CN Photo sensor - Paper sensor

Spring

59 RS6-2063-000CN Roller spring - Provides pressure for feed roller

60 RS6-2064-000CN Bushing spring - Provides tension for right side feed roller support bushing

500 Sheet Feeder Drive

Drive Assembly

61 C7058-67908 Paper feeder drive assembly for 500 sheet tray

Gear

62 RS6-0499-000CN Gear - 39 tooth

Hook

RB1-2190-000CN Pick-up roller spring hook

Pin

64 RB1-6133-000CN Hook spring anchor pin

Shaft

65 RB2-2893-000CN Drive shaft - Drives pickup roller

Solenoid

66 RH7-5286-000CN Drive solenoid - Engages swing gear assembly

Spring

67 RS6-2061-000CN Clip spring - Provides tension for clip

500 Sheet Tray

Tray Assembly

C7065-67901 500 Sheet Feeder and paper tray assembly - Holds 500 sheets of letter, legal, Executive, A4, A5, or B5 ISO size paper - Includes the feeder base assembly with pickup roller and the paper cassette tray

Accessories

Cleaning Supplies

5090-3379 Toner cleaning cloth - Specially treated cloth for absorbing toner (1 per package) - Ideal for cleaning up toner spills

Kit

C7058-67902 Multi-Purpose tray kit - Includes drop down multi purpose input tray assembly, all four nameplates and the HP logo jewel

71 C7058-67905 Delivery roller kit - Includes all face-down delivery roller assemblies, upper delivery roller supports, and roller drive gear

Cassette Pickup Assembly

Arm

72 RB2-6310-000CN Paper sensor lever - Senses paper at pickup roller

Bushing

73 RB2-2895-000CN Shaft bushing/retainer - Pickup roller support bushing on right side - Pickup Roller Right Side Support Bushing

74 RB2-2896-000CN Shaft bushing/retainer - Pickup roller support bushing on left side - Pickup Roller Left Side Support Bushing

75 RB2-2897-000CN Shaft bushing/retainer - Right side drive shaft support bushing

76 RB2-3081-000CN Feed roller bushing - Right side feed roller support

77 RB2-6303-000CN Feed roller bushing - Left side feed roller support

Cable

78 RG5-5583-000CN Sensor cable - Cable for PS1305 - Paper detection

Pickup Assembly

79 C7058-67903 Cassette paper pickup assembly

C7058-67907 *New Part for C7058-67903*

Roller

80 RB2-2892-000CN Guide roller (Free spinning white plastic roller) - One on each side of the rubber paper pick-up roller - (Two used)

81 RB2-3046-000CN Guide roller - Provides pressure against feed roller

82 RB2-6302-000CN Feed roller - Shaft with two rollers - Feed roller for the paper cassette

83 RB2-6304-000CN Pick-up roller assembly - Rubber roller on a short shaft with slots on the end - Does NOT include the two flanking hard plastic rollers

84 RB2-6318-000CN Feed roller - Shaft with two rollers - Feeds paper from the duplexer into the registration assembly

Sensor

85 WG8-5364-000CN Photo sensor - Paper sensor

Spring

86 RB2-6314-000CN Tension spring - Provides tension for duplexer release knob

87 RB2-6321-000CN Torsion spring - Provides tension for gear on the paper feed roller and gear for registration assembly

Electronic Accessories

Cable (Interface)

5063-1257 IEEE-1284 Bi-Tronics parallel cable - DB-25 (M) connector (type A) to 36 pin Centronics (M) connector (type B) - 3.0m (9.8ft) long

8120-8485 Universal Serial Bus (USB) interface cable - Type 'A' connector to type 'B' connector, 1.8m (6.0 ft) long

C6518A Universal serial bus (USB) interface cable - Type 'A' connector to type 'B' connector - 2.0m (6.6ft) long

Interface (Product)

J6057A JetDirect 615N internal print server (10Base-T and 100Base-TX) LAN interface board - Plugs into peripheral EIO slot - Has a RJ-45 connector - Comes with software on CD-ROM and manual

J6057AR JetDirect 615N internal print server (10Base-T and 100Base-TX) LAN interface board - Plugs into peripheral EIO slot - Has a RJ-45 connector - Comes with software on CD-ROM and manual

Memory (DIMM)

C7842-67901 8MB, 100-pin SDRAM DIMM memory module

C7843-67901 16MB, 100-pin SDRAM DIMM memory module

C7845-67901 32MB, 100-pin SDRAM DIMM memory module

C7846-67901 64MB SDRAM - 100MHz synchronous DRAM - DIMM package

Q1887-67901 *New Part for C7846-67901*



External Case Parts

Cover

97	RB2-6280-020CN	Top cover assembly - Face-down output tray and toner cartridge access door
98	RG5-4121-000CN	Multi-purpose input tray cover assembly - Includes pull-out and flip-out tray extensions
99	RG5-5545-040CN	DIMM cover assembly
100	RG5-5546-000CN	Rear cover - Includes face-down output tray assembly
101	RG5-5549-000CN	Left cover assembly - Includes power button and spring

Door

102	RB2-2856-000CN	Toner cartridge access door
-----	----------------	-----------------------------

Extender

103	RB2-3036-000CN	Tray 1 extender - Pull-out tray extension
104	RB2-3037-000CN	Tray 1 extender - Flip-out paper extender

Tray Assembly

105	RG5-5576-000CN	Multi-purpose paper input tray assembly (MP Tray, Tray 1)
-----	----------------	---

Fusing Assembly Parts

Bushing

106	RB2-2973-000CN	Support bushing
-----	----------------	-----------------

Fusing Assembly

107	RG5-5559-110CN	Fusing roller assembly (For 100V to 120V operation) - Bonds toner to paper with heat
108	RG5-5569-110CN	Fusing roller assembly (For 220V to 240V operation) - Bonds toner to paper with heat

Guide

109	RB2-6357-000CN	Entrance guide - Paper input guide to fusing assembly
-----	----------------	---

Holder

110	RF5-2609-000CN	Contact holder - Anchors fusing assembly to chassis
-----	----------------	---

PC Board

111	WG8-5382-000CN	Sensor PC board - Small board with flag activated photosensor
-----	----------------	---

Roller

112	RB2-6369-000CN	Pressure roller - Applies pressure to paper as it feeds through the fusing roller
113	RB2-6372-020CN	Delivery roller - Feeds paper out of fusing assembly
114	RB2-6374-000CN	Delivery roller - Roller for upper delivery guide
115	RG5-5570-070CN	Fusing roller assembly (For 220V to 240V operation) - Includes heating element and fixing sleeve

Spring

116	RB2-2978-000CN	Compression spring - Provides tension for upper delivery rollers mounted on upper delivery guide - 4 used
-----	----------------	---

Interface Cables

Cable (Interface)

5063-1256	IEEE-1284 Bi-Tronics parallel cable - DB-25 (M) connector (type A) to 36 pin Centronics (M) connector (type B) - 2.0m (6.6ft) long
C2950A	IEEE-1284 Bi-Tronics parallel cable - DB-25 (M) connector (type A) to 36 pin Centronics (M) connector (type B) - 2.0m (6.6ft) long
5063-1256	<i>New Part for C2950A</i>
C2951A	IEEE-1284 Bi-Tronics parallel cable - DB-25 (M) connector (type A) to 36 pin Centronics (M) connector (type B) - 3.0m (9.8ft) long

Logic/Control Electronics

Firmware

C7067-67903	Firmware DIMM kit - Upgrade for all LaserJet 2200's
-------------	---



Optional Interfaces

Interface (Product)

J3111A	Ethernet 10Base-T/10Base2 and LocalTalk (RJ-45, BNC, LocalTalk) EIO network PCA
J4135A	JetDirect connectivity card - Has one USB port, one serial (DB9) port and one LocalTalk port - Plugs in the EIO slot on selected DesignJet and LaserJet printers

PC Board (Interface)

J3110-69001	JetDirect 600N EIO internal print server 10Base-T LAN interface board - Has one RJ-45 connector - (J3110A) - NOTE: EIO Interface Boards are NOT Interchangeable with MIO Boards
J6057-69001	<i>New Part for J3110-69001</i>
J3111-69001	JetDirect 600N EIO internal print server 10Base-T, 10BASE-2, and LocalTalk LAN interface board - Has one RJ-45, BNC, and 8-pin DIN connector - (J3111A) - NOTE: EIO interface boards are NOT interchangeable with MIO boards REQUIRES RETURN OF DEFECTIVE PART
J3111-61001	<i>New Part for J3111-69001</i>
J4169-69001	JetDirect 610N internal print server 10Base-T and 100Base-T LAN interface board - Has one RJ-45 connector
J6057-69001	<i>New Part for J4169-69001</i>

Other Accessories

CD-ROM (Support)

C7058-60118	service/support CDROM
-------------	-----------------------

Cartridge

C4096A	LaserJet 2100 and 2200 series toner cartridge (Ultra-Precise) - Prints approximately 5,000 pages
--------	--

Kit

C7058-67901	Hardware training kit - Includes service/support CDROM and service manual
H3978-60001	Maintenance Kit (120V) - Includes fuser roller assembly, transfer roller assembly, Tray 1 and Tray 2 pick-up rollers, Tray 1 and Tray 2 separation pads. Procedure requires use of service manual. Not for warranty use
H3978-60002	Maintenance Kit (220V) - Includes fuser roller assembly, transfer roller assembly, Tray 1 and Tray 2 pick-up rollers, Tray 1 and Tray 2 separation pads. Procedure requires use of service manual. Not for warranty use

Manual

5851-1891	LaserJet quick reference service guide (monochrome) - Covers the LaserJet 1000, 1100, 1300, 2300, 3300mfp, 4100mfp, 4200, 4300, 5000, 5100, 8150 and 9000 series printers
C7058-90956	LaserJet 2200 user guide (English)
C7058-90958	LaserJet 2200 user guide (French)
C7058-90971	LaserJet 2200 user guide (Spanish)
C7058-90980	LaserJet 2200 service manual - Printed version (English)

Tray Assembly

C4793A	250 Sheet Universal paper tray assembly (Tray 3) - Holds 250 sheets of letter, legal, Executive, A4, A5, or B5 ISO size paper
C4793B	<i>New Part for C4793A</i>
C7065A	HP LaserJet 2200 500 Sheet Universal paper tray (Tray 3) - Holds 500 sheets of letter, legal, Executive, A4, A5, or B5 ISO size paper
C7065B	<i>New Part for C7065A</i>

Other Internal Parts

Cable

138	RG5-5568-000CN	Cable and guide assembly - Cables run between solenoids and engine controller board
139	RG5-5598-000CN	Paper-feed cable - Includes the I/F cable from the Engine Controller PCA to the accessory paper tray connector and the Engine Controller PCA ground cable.
140	RH2-5427-000CN	Flat cable - Connects to laser/scanner assembly



Other Internal Parts

Fan

141 RH7-1463-000CN Cooling fan

Gear

142 RB2-3040-000CN Gear - 26 tooth - Tray 1 pick-up roller drive gear

143 RS6-0441-000CN Upper delivery roller drive gear - 15 tooth

144 RS6-0445-000CN Registration roller drive gear - 14 tooth

145 RS6-0464-000CN Feed belt drive gear - 20 tooth

Gear Assembly

146 RG5-4156-000CN Cassette pick-up gear assembly

Guide

147 RB2-2830-020CN Cartridge guide - Right side toner cartridge guide

148 RB2-2831-020CN Cartridge guide - Left side toner cartridge guide

149 RG5-5548-000CN Reverse guide assembly - Guides paper back into printer to print back side when in duplex mode.

150 RG5-5553-000CN Position guide assembly

151 RG5-5554-050CN Duplex feed guide assembly

Hinge

152 RB2-3041-000CN Tray hinge - For the left side of the multi-purpose front input tray (tray 1)

153 RB2-3042-000CN Tray hinge - For the right side of the multi-purpose front input tray (tray 1)

154 RB2-6249-000CN Feed guide hinge

Kit

C7058-67907 Duplex feed/Paper pick-up kit - Duplex feed/Paper pick-up kit. Includes duplex feed guide assembly and cassette paper pickup assembly

Lever

156 RB2-2836-000CN Paper sensor lever - Mechanical device that engages photo sensor

Motor

157 RH7-1460-000CN Main motor

158 RH7-1461-000CN Reverse motor

PC Board

160 WG8-5382-000CN Sensor PC board - Small board with flag-activated photosensor

Pad

159 RF5-3272-000CN Separation pad assembly - Separation pad, holder and spring

Plate

161 RB2-3003-020CN Rear end plate of paper cassette

162 RB2-3080-000CN Grounding plate - Electrical chassis ground connection

Receptacle

163 RG5-5565-000CN Power receptacle - Power input receptacle and cable to power supply

Roller

164 RG5-5555-000CN Feed roller assembly - Feed roller for tray 2

RG5-5555-020CN *New Part for RG5-5555-000CN*

Solenoid

165 RG5-5552-000CN Duplex solenoid assembly - Solenoid and clutch assembly to engage and disengage duplexer

166 RH7-5270-000CN Solenoid (SL1908) - Tray 2 pickup assembly

167 RH7-5273-000CN Solenoid (SL2908) - Tray 1 pickup assembly



Other Internal Parts

Spring

- 168 RB2-2837-000CN Torsion spring - Provides tension for paper sensor lever
- 169 RB2-2843-000CN Torsion spring - Provides a small amount of back pressure for the paper sensor flag
- 170 RB2-3075-000CN Leaf spring - Chassis grounding spring
- 171 RB2-6271-000CN Contact spring - High voltage contact for transfer roller
- 172 RC1-1009-000CN Compression spring - Provides electrical ground connection
- 173 RS6-2022-000CN Compression spring - Provides tension for right side of transfer roller bushing
- 174 RS6-2025-000CN Tensioning spring - For the paper pick up gear assembly
- 175 RS6-2030-000CN Tension spring
- RS6-2375-000CN Compression spring - Provides pressure for top output bin delivery roller assembly

Switch

- 177 RH7-6051-000CN Microswitch with lever activator

PC Boards and Power Cords

Fuse

- 198 RH3-8006-000CN Fuse - 8A, 250V max
- WD1-0268-000CN Fuse - 15A, 250V max

Holder

- 200 RF5-3279-000CN Sensor lever holder

PC Board

- 201 C4209-69001 Formatter (Main logic) board - For duplex capable printers
REQUIRES RETURN OF DEFECTIVE PART
- C4209-61002 *New Part for C4209-69001*
- C7066-60001 Formatter (Main logic) board - For simplex printers only
- 203 RG5-5563-050CN Power supply board - For 100V-127V operation
- 204 RG5-5566-000CN Engine controller PC board
- 205 RG5-5573-050CN Power supply board - For 220-240V operation

Power Cord

- 8120-6812 Power cord (Flint Gray) - 18 AWG, 2.3m (7.5ft) long - Has straight (F) receptacle (For 120V in the USA, Canada, Mexico, Philippines, and Taiwan)

Paper Path Parts

Belt

- 178 RB2-6270-000CN Paper feed belt - Short/tiny belts in front of and on each side of middle belt of paper transfer assembly
- 179 RB2-6272-000CN Paper feed belt - Wide middle belt
- 180 RB2-6273-000CN Paper feed belt

Bushing

- 181 RB2-2850-000CN Upper delivery roller bushing
- 182 RB2-2926-020CN Transfer roller bushing - Supports right side of transfer roller
- 183 RB2-3043-000CN Left roller bushing - Acts as the bearing and retainer for the left end of the paper pick-up roller assembly (tray 1)

Drive Assembly

- 184 RG5-5577-000CN Gear assembly - Drives paper transfer belt assembly

Fusing Assembly

- C7058-69003 Fusing roller assembly (For 220V to 240V operation) - Bonds toner to paper with heat
REQUIRES RETURN OF DEFECTIVE PART
- RG5-5569-110CN *New Part for C7058-69003*

Paper Path Parts
Guide

RG5-5561-000CN Upper delivery guide - Has four separate rollers and springs

Laser/Scanner

187 RG5-5591-000CN Laser/scanner assembly

Roller

188 RB2-2849-000CN Face-down delivery roller - Lower rollers

189 RB2-2900-000CN Pickup roller - MP/TRAY 1 pickup roller

190 RG5-4128-000CN Multi-purpose tray pick-up roller assembly - Includes pick-up roller, roller cam, right and left cams, both round rollers and dowel pin

191 RG5-5581-000CN Transfer roller assembly - Includes left side bushing

Roller Assembly

RG5-5542-050CN Face down delivery roller assembly - Middle two roller assemblies in center of top output bin

193 RG5-5556-000CN Registration assembly - Registration shutter and roller with holder frame assembly

Shaft

194 RB2-3073-000CN Belt drive shaft 1 - Between wide middle belt and the two narrower rear belts - Transfers power from gear assembly

195 RB2-6268-000CN Idler shaft - Small front pulleys attached to small belts

196 RB2-6269-000CN Belt drive shaft 2 - Front of middle wide belt - Tiny drive belts attach on each end of this shaft

197 RB2-6274-000CN Belt shaft 3 - Tiny idler shafts at back of narrow paper belts

Printer Drive Parts
Bushing

207 RB2-2936-000CN Coupler bushing - Supports largest drive gear coupler

Coupler

208 RB2-2935-000CN Gear coupler

209 RG9-1473-000CN Coupling assembly - Engages drive gear assembly

Drive Assembly

210 RG5-5562-050CN Printer drive assembly

Flange

211 RB2-2950-000CN Spring spacer - Fits between the two drum clutch springs

Gear

212 RS6-0446-000CN Gear '#5' - 201 tooth gear

213 RS6-0448-000CN Cluster gear '#11' - 17/68 tooth

214 RS6-0449-000CN Cluster gear '#10' - 25/41 tooth

215 RS6-0450-000CN Printer drive gear '#9' - 31 tooth

216 RS6-0451-000CN Printer drive gear '#8' - 26 tooth

Guide

RB2-2944-000CN PCA guide - Holds extended I/O PC board

Holder

218 RB2-2947-000CN Pin holder - Holds drum drive clutch pin

Pin

219 RB2-2943-000CN Clutch pin - Holds drum drive clutch springs

Plate

RB2-2945-000CN Mount plate - Protective plate for extended I/O PCA



Printer Drive Parts

Washer

221 RB2-2949-000CN Gear washer

Tray 2 Assembly Parts

Arm

222 RB2-3004-000CN Release arm - Left side lifting plate release arm
223 RB2-3005-000CN Release arm - Right side lifting plate release arm
224 RB2-3009-030CN Lock arm - Locks rear paper length adjustment plate
225 RB2-3010-000CN Paper sensor arm - Indicates on front cover the quantity of paper in tray

Cover

226 RB2-3000-000CN Front cover - Front cover and pull handle for paper tray

Gear

227 RS6-0440-000CN Gear - 10 tooth - Mechanical connection between right and left side paper plates

Holder

228 RB2-3013-000CN Pad holder - Separation pad holder on front of tray

Pad

RB2-6349-000CN Separation pad - Separation pad for Tray 2

Plate

230 RF5-2599-000CN Upper lifting plate
231 RF5-2606-000CN Adjustable width plate - Right side paper width stop plate
232 RG5-4159-000CN Adjustable width plate - Left side paper width stop plate

Spring

233 RB2-3012-000CN Leaf spring - Provides side tension for paper in tray
234 RS6-2020-000CN Plate spring - Provides pressure for paper lifting plate
235 RS6-2021-000CN Pad spring - Provides tension for separation pad on front of paper tray
236 RS6-2035-000CN Plate spring - Provides tension for left side width plate

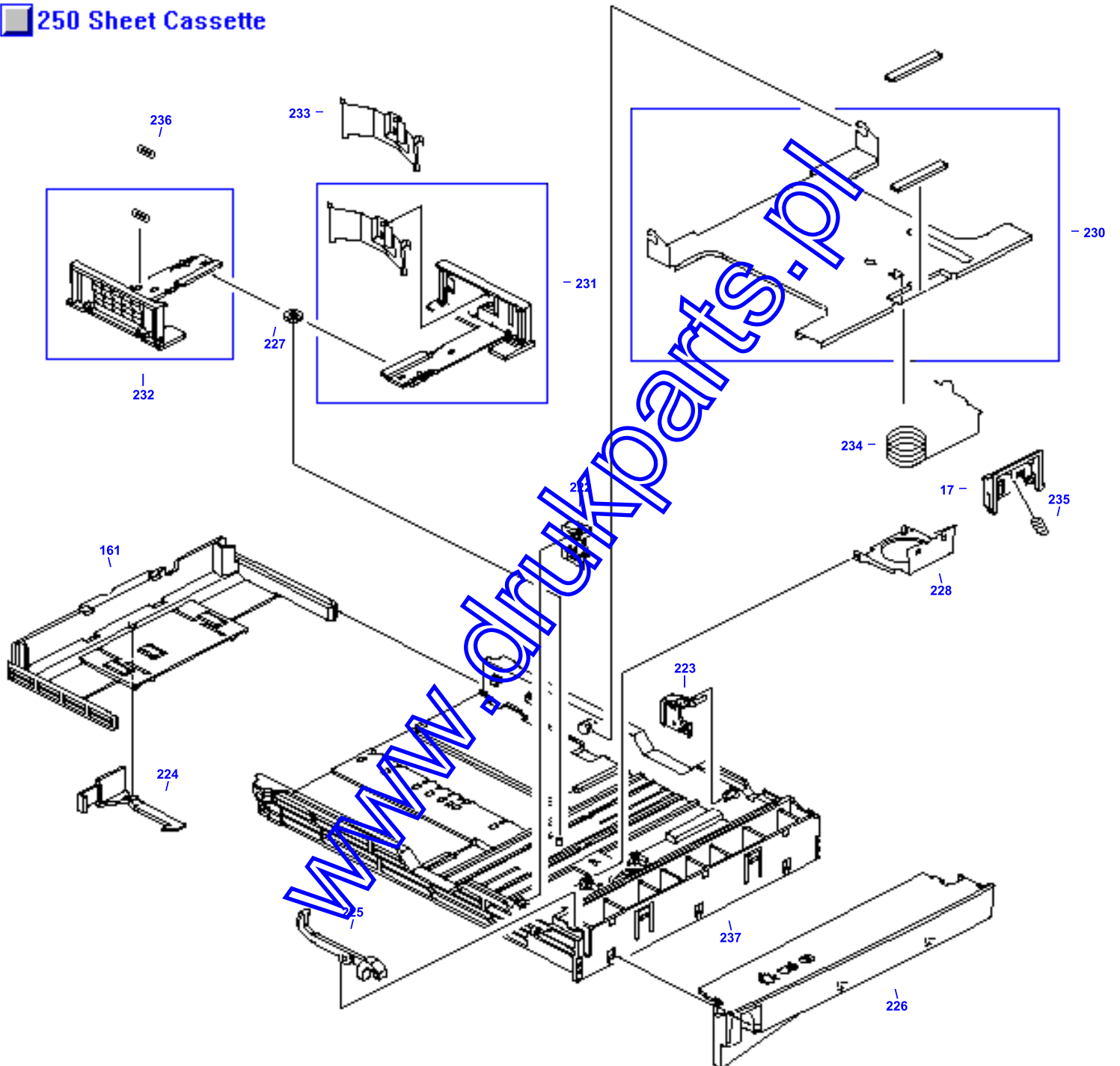
Tray

237 R98-1003-140CN 250 sheet paper tray - Adjusts for letter, legal, Executive, and A4 paper - Used for tray 2 and optional tray 3
238 RG5-5580-000CN 250 sheet paper tray - Adjusts for letter, legal, Executive, and A4 paper - Used for Tray 2

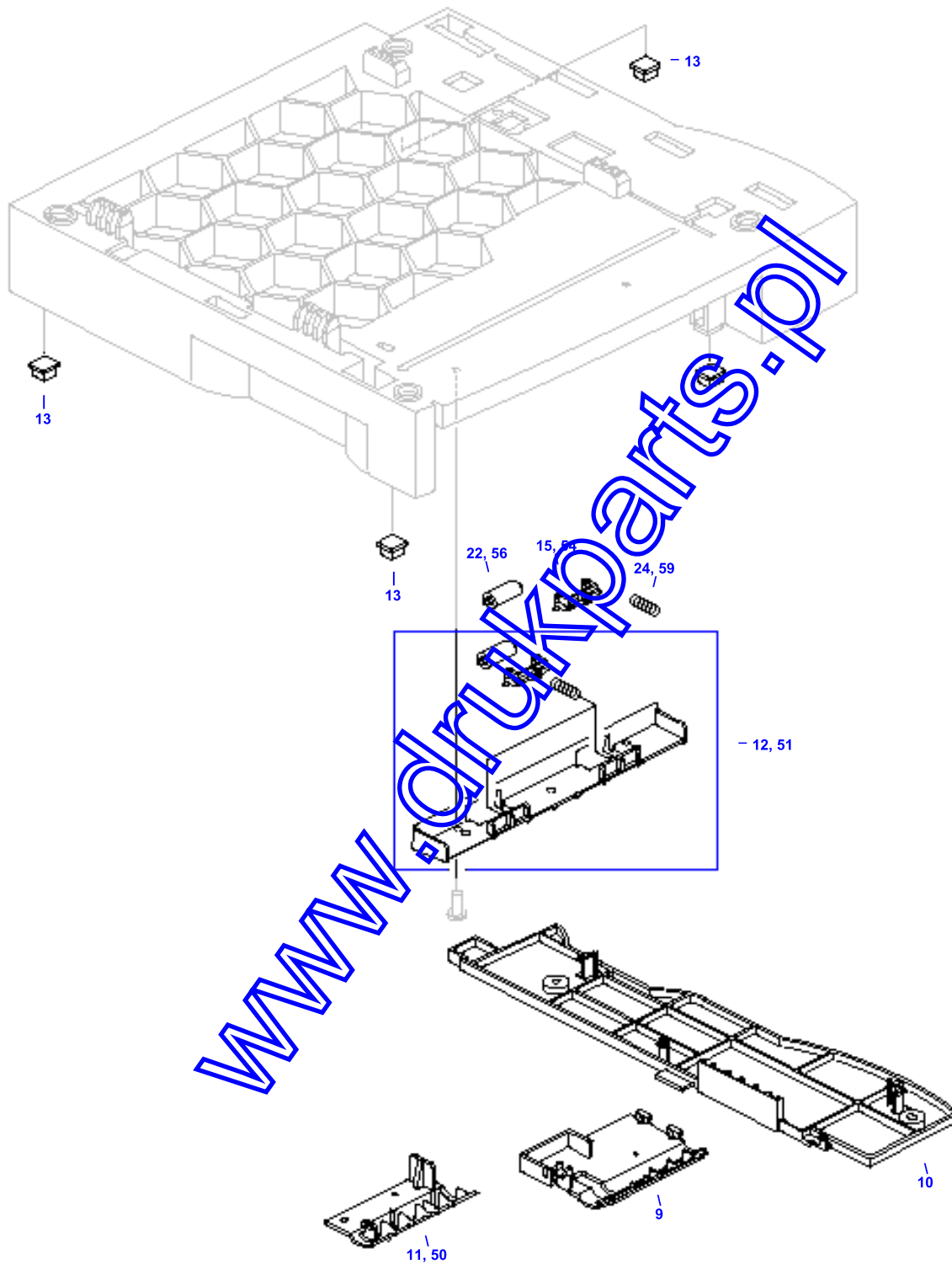
www.druckparts.pl

250 Sheet Cassette

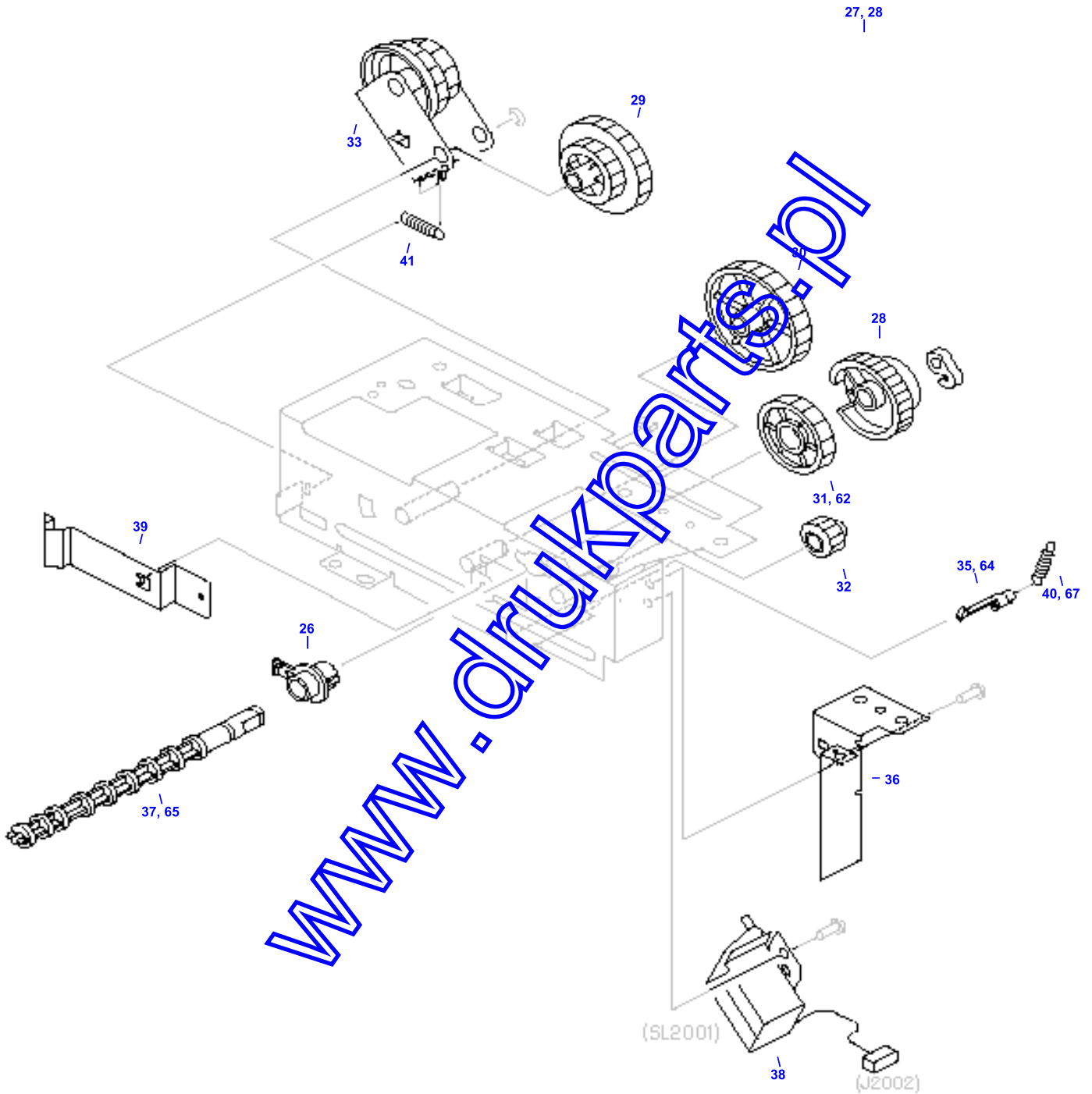
250 Sheet Cassette



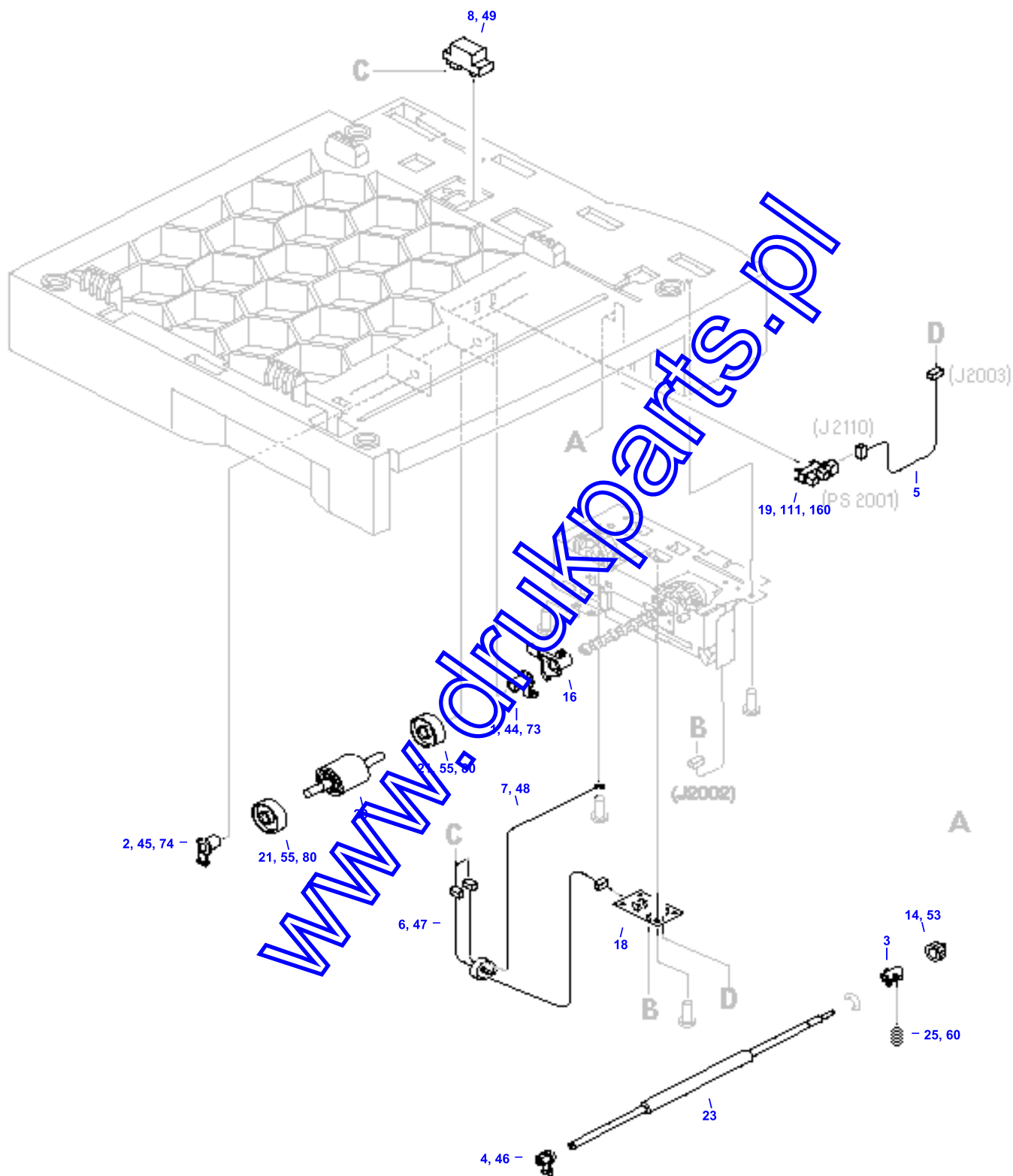
250 Sheet Feeder Covers



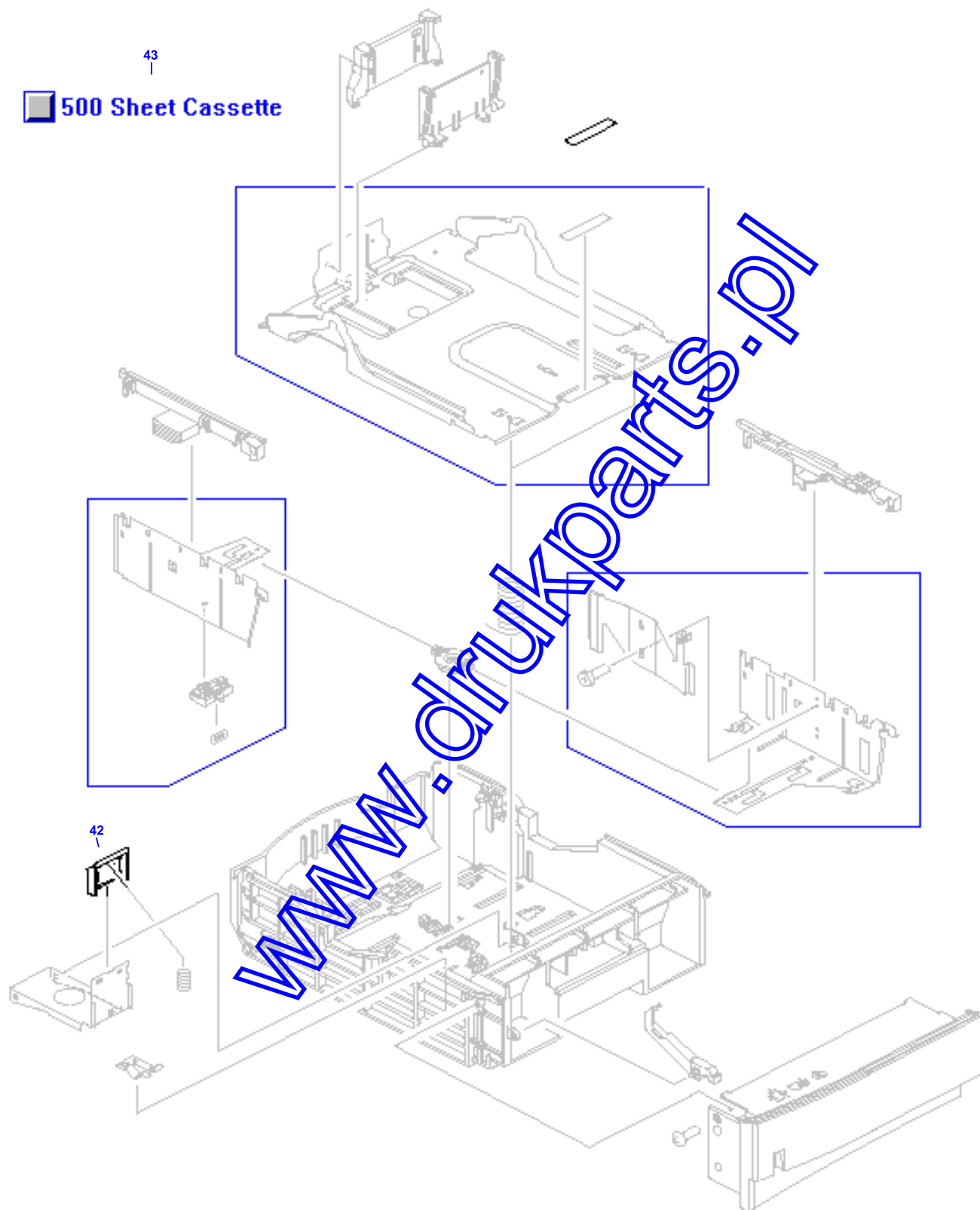
250 Sheet Feeder Drive Assembly



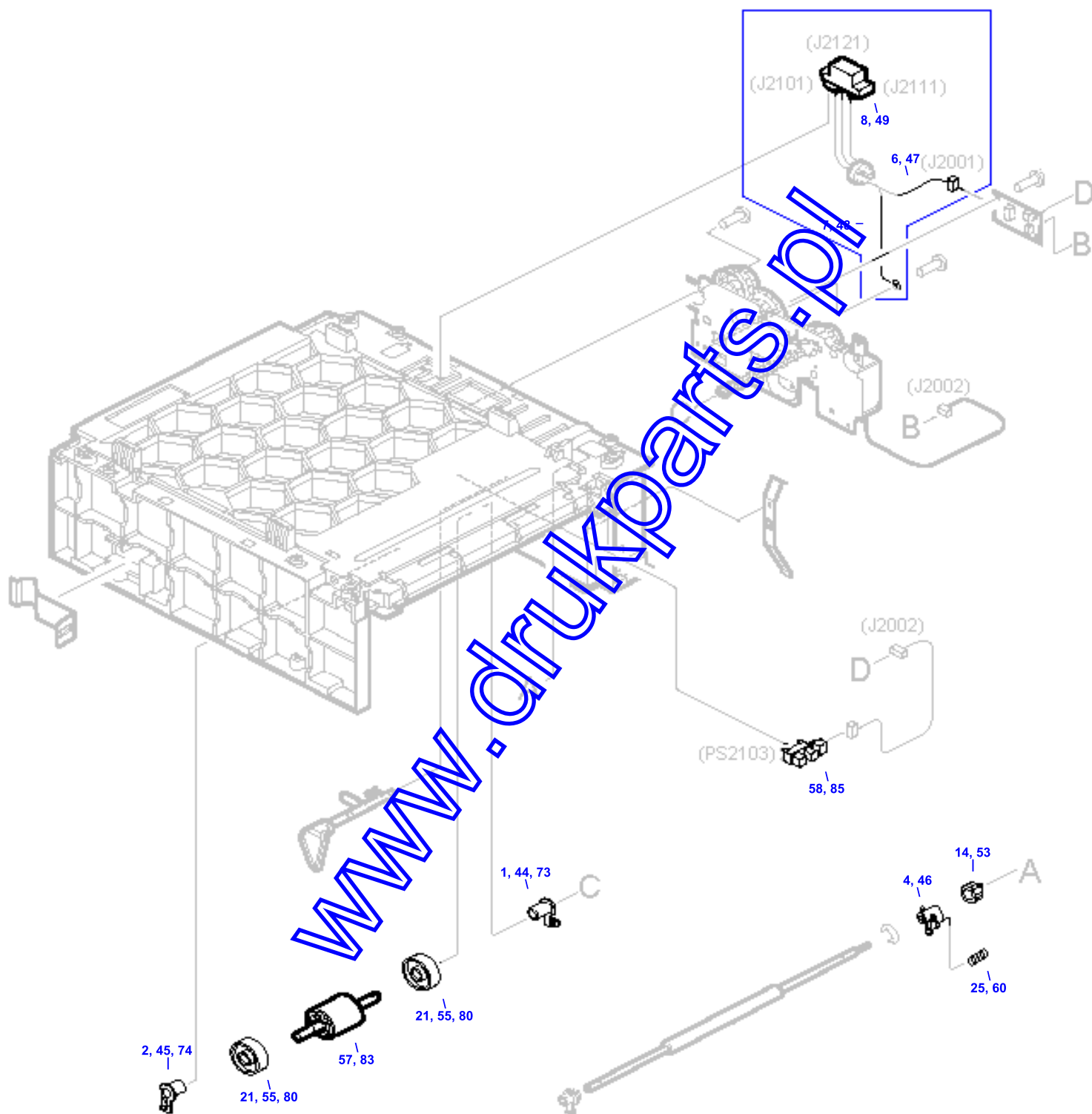
250 Sheet Feeder Internal Components

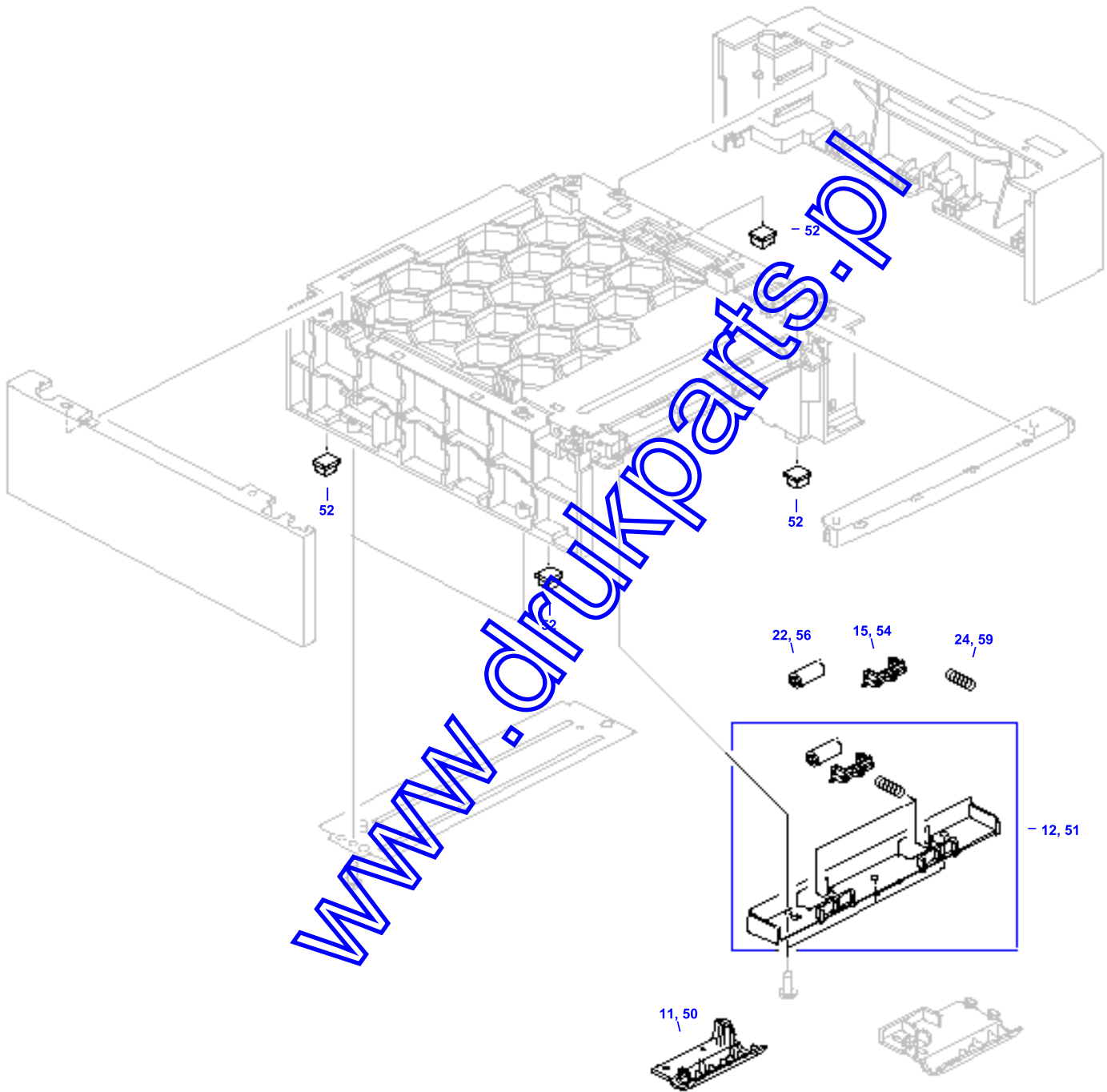


500 Sheet Cassette



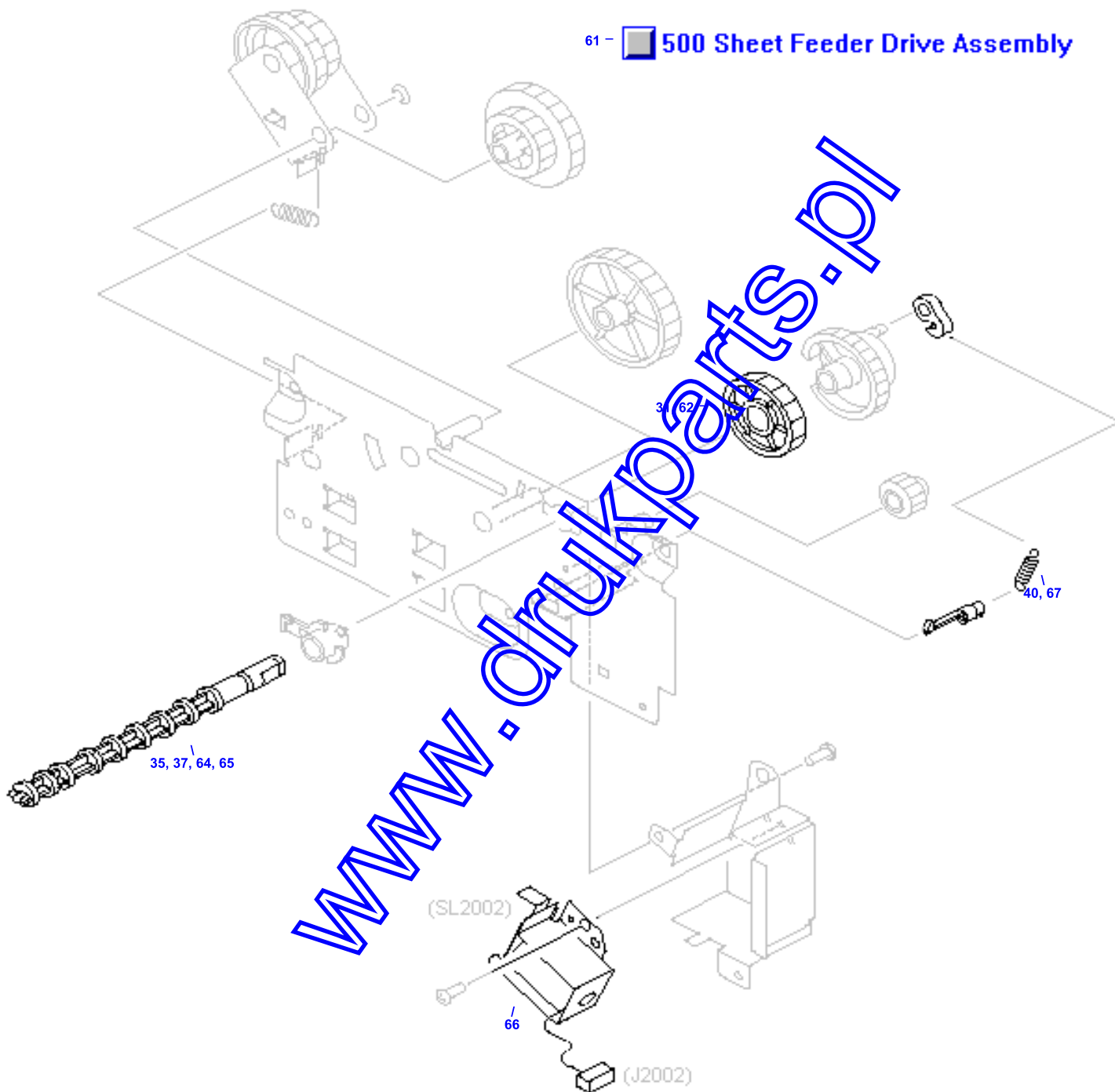
500 Sheet Feeder (2 of 2)





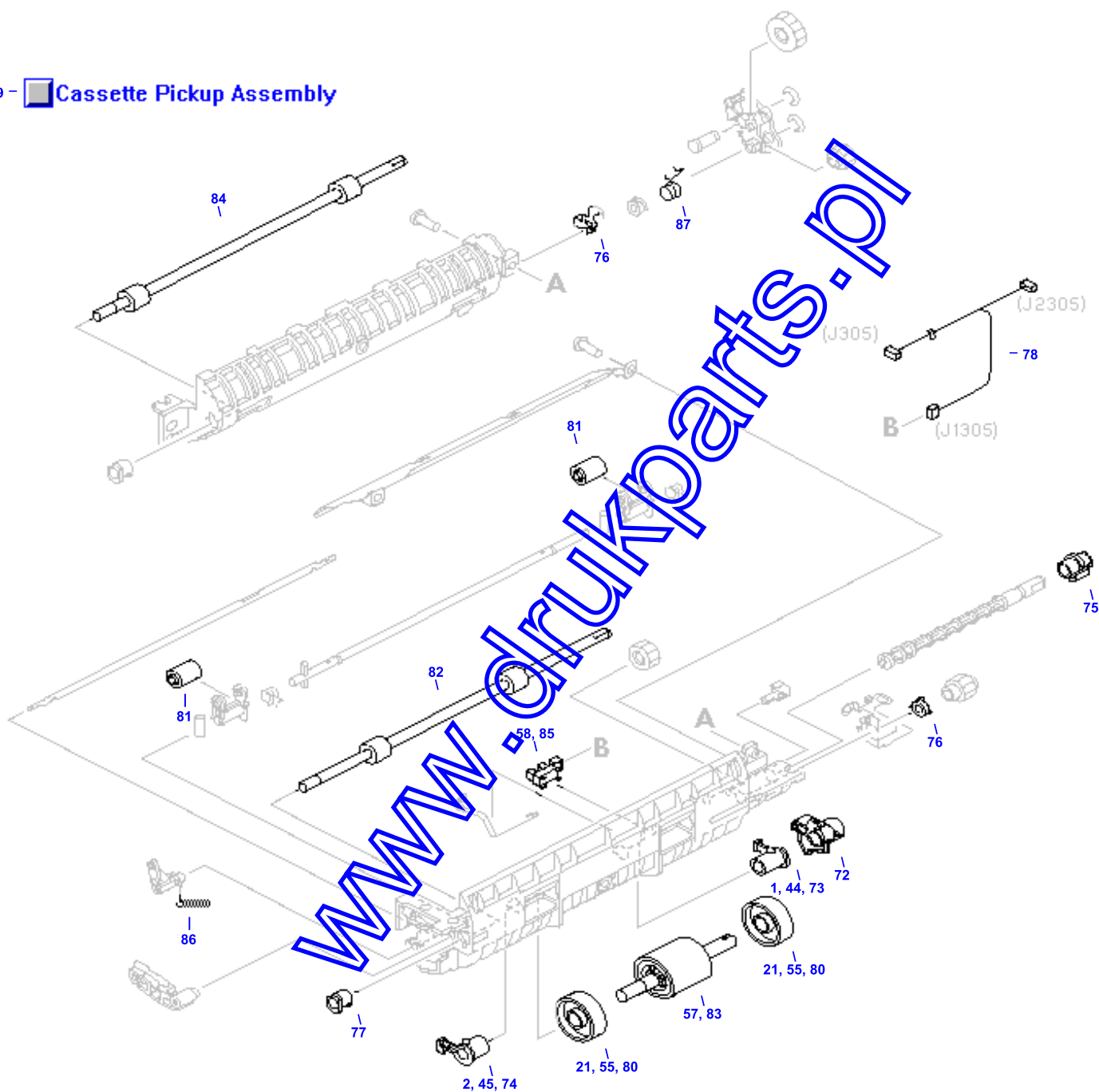
500 Sheet Feeder Drive Assembly

61 -  500 Sheet Feeder Drive Assembly

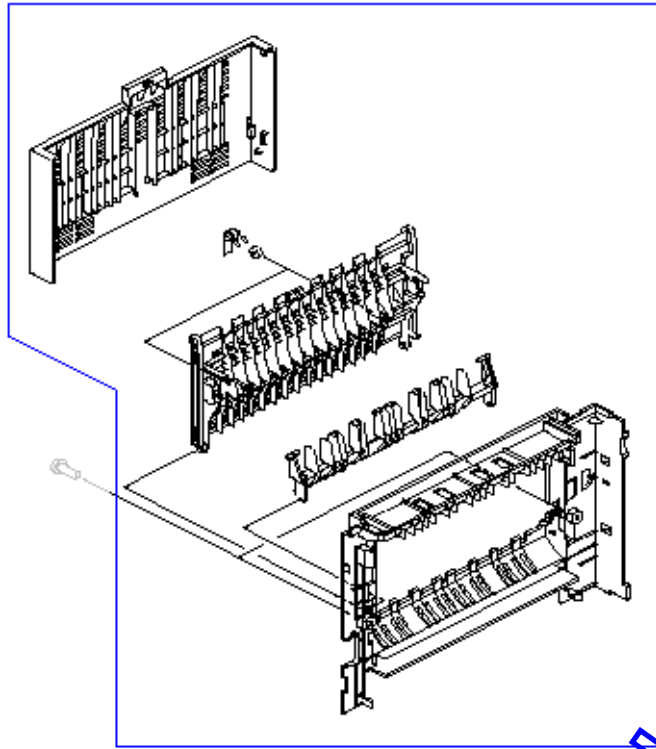


Cassette Pickup Assembly

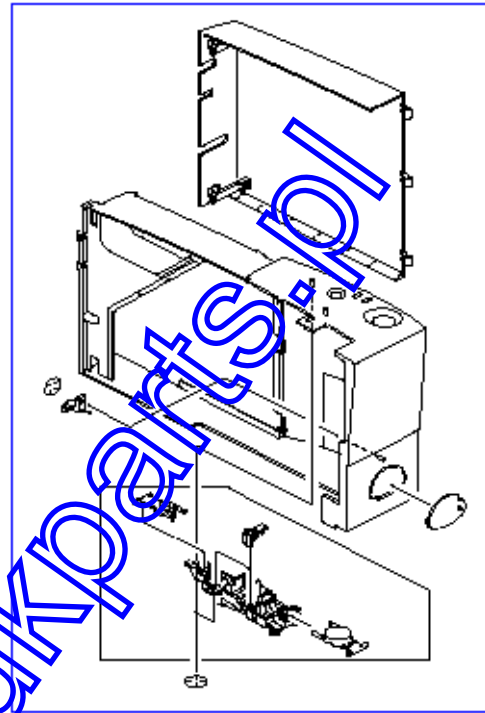
79 -  Cassette Pickup Assembly



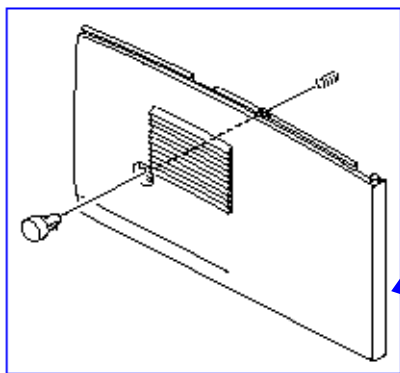
External Covers and Panels



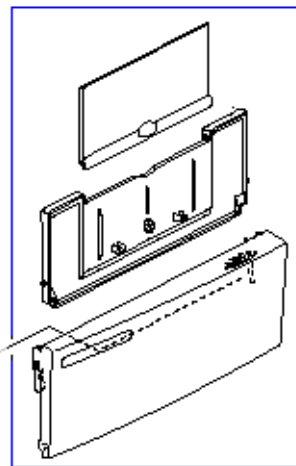
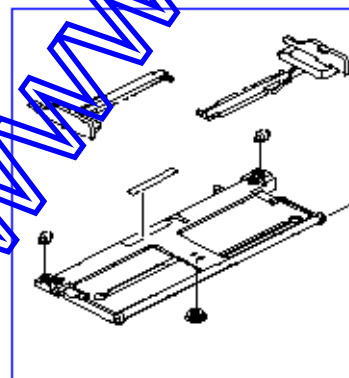
100



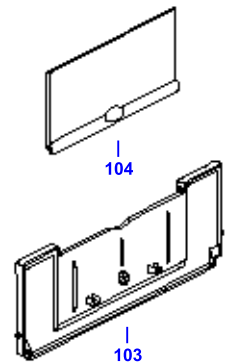
99



101



98



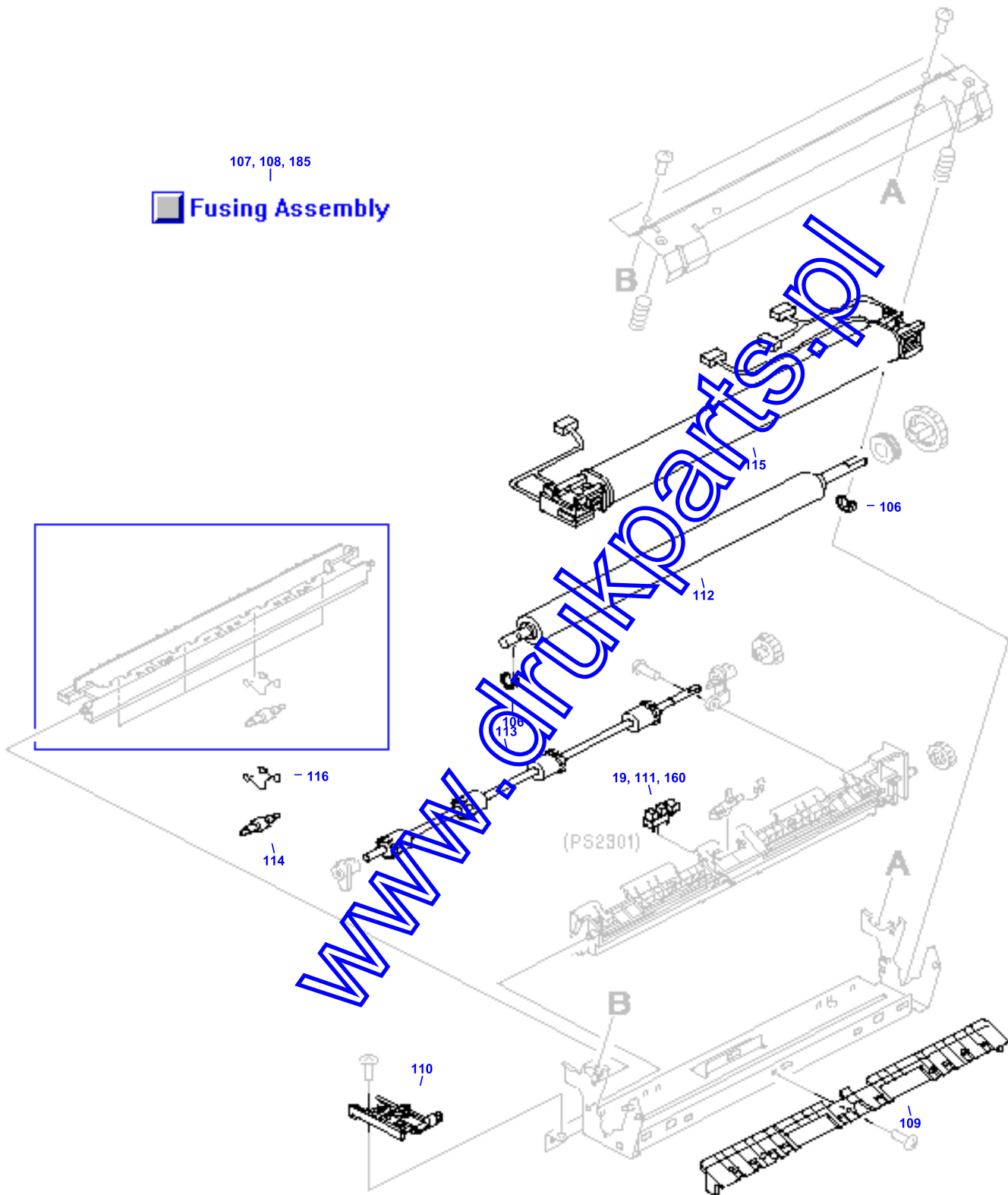
104

103

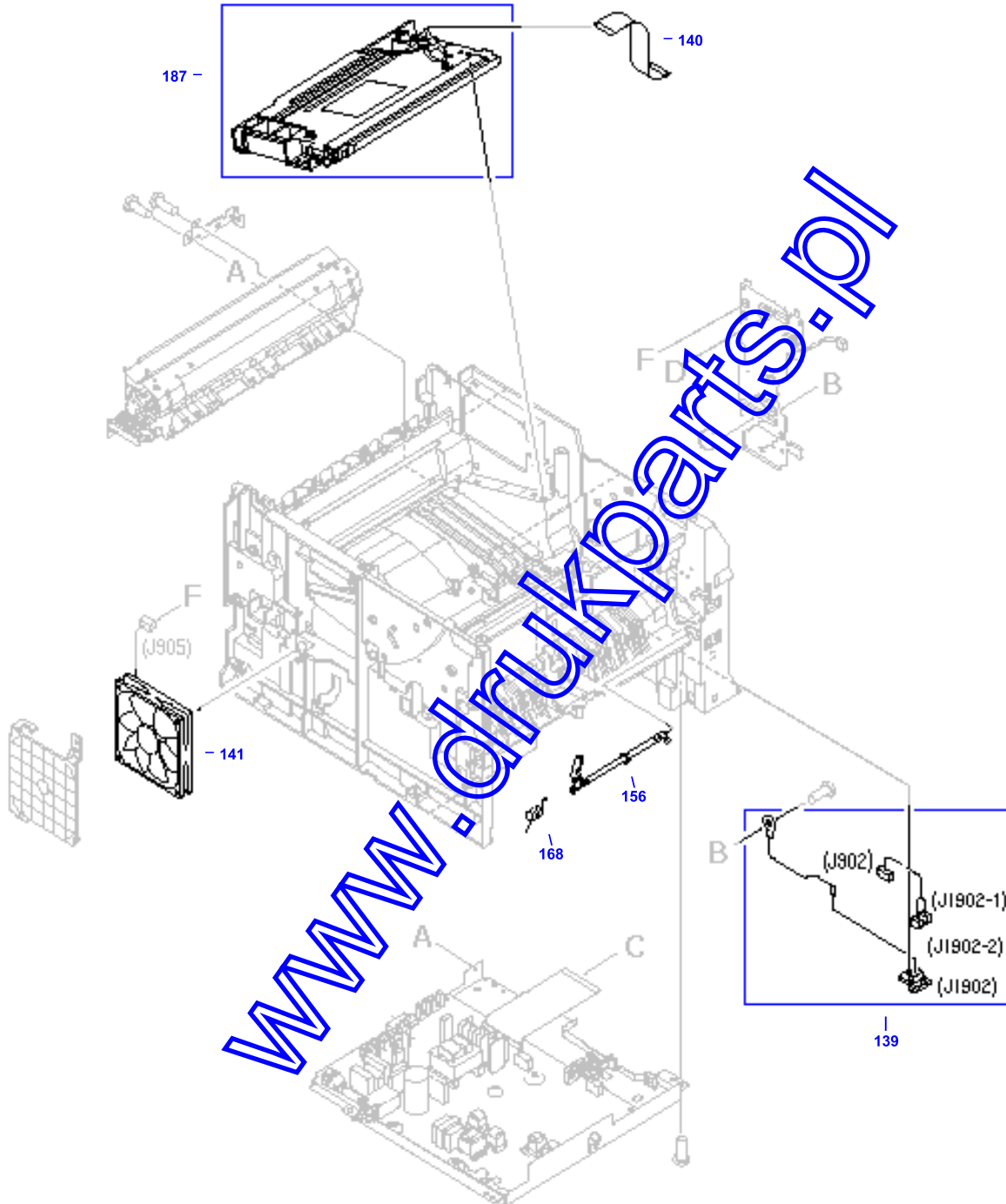
Fusing Assembly

107, 108, 185

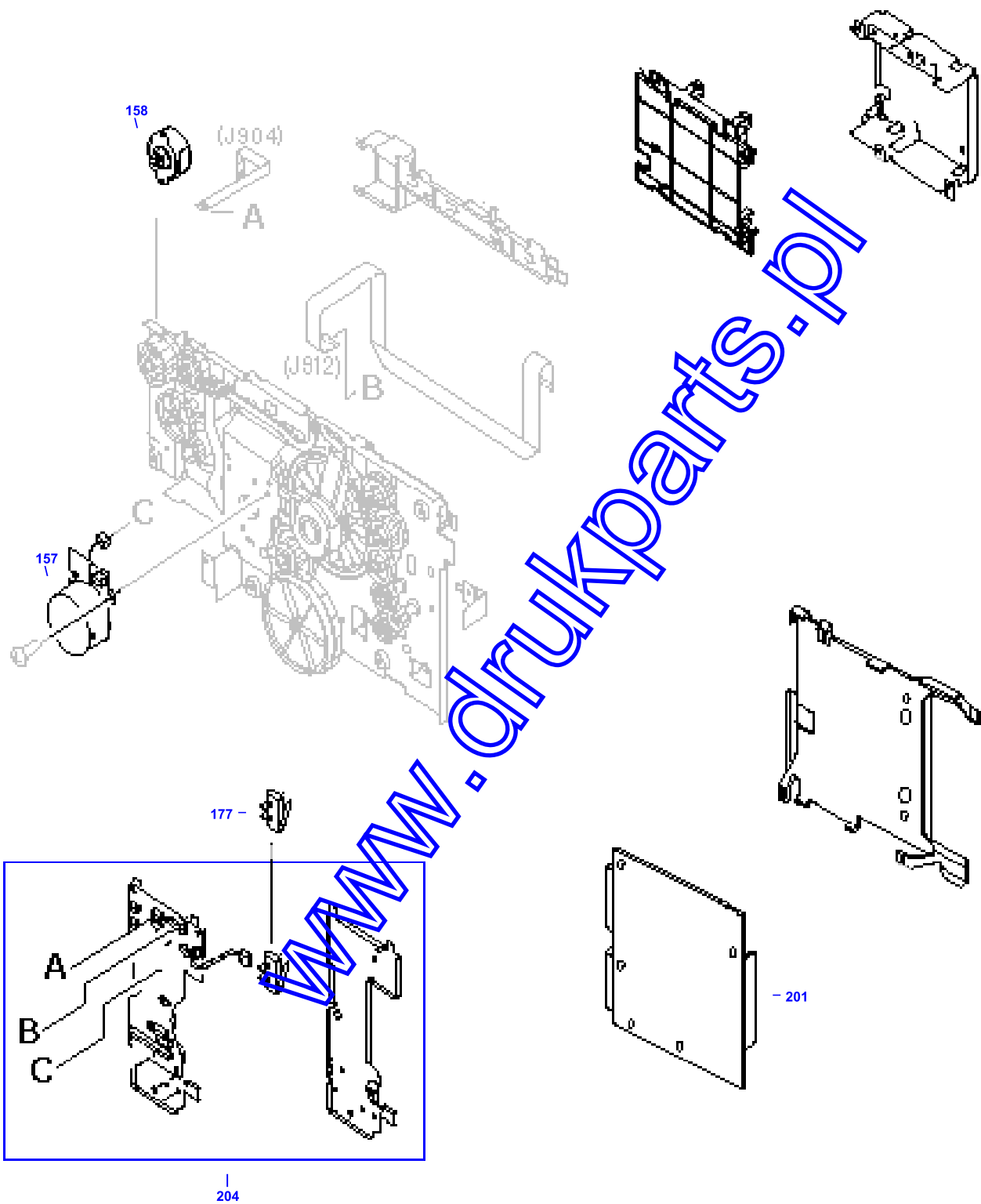
 Fusing Assembly



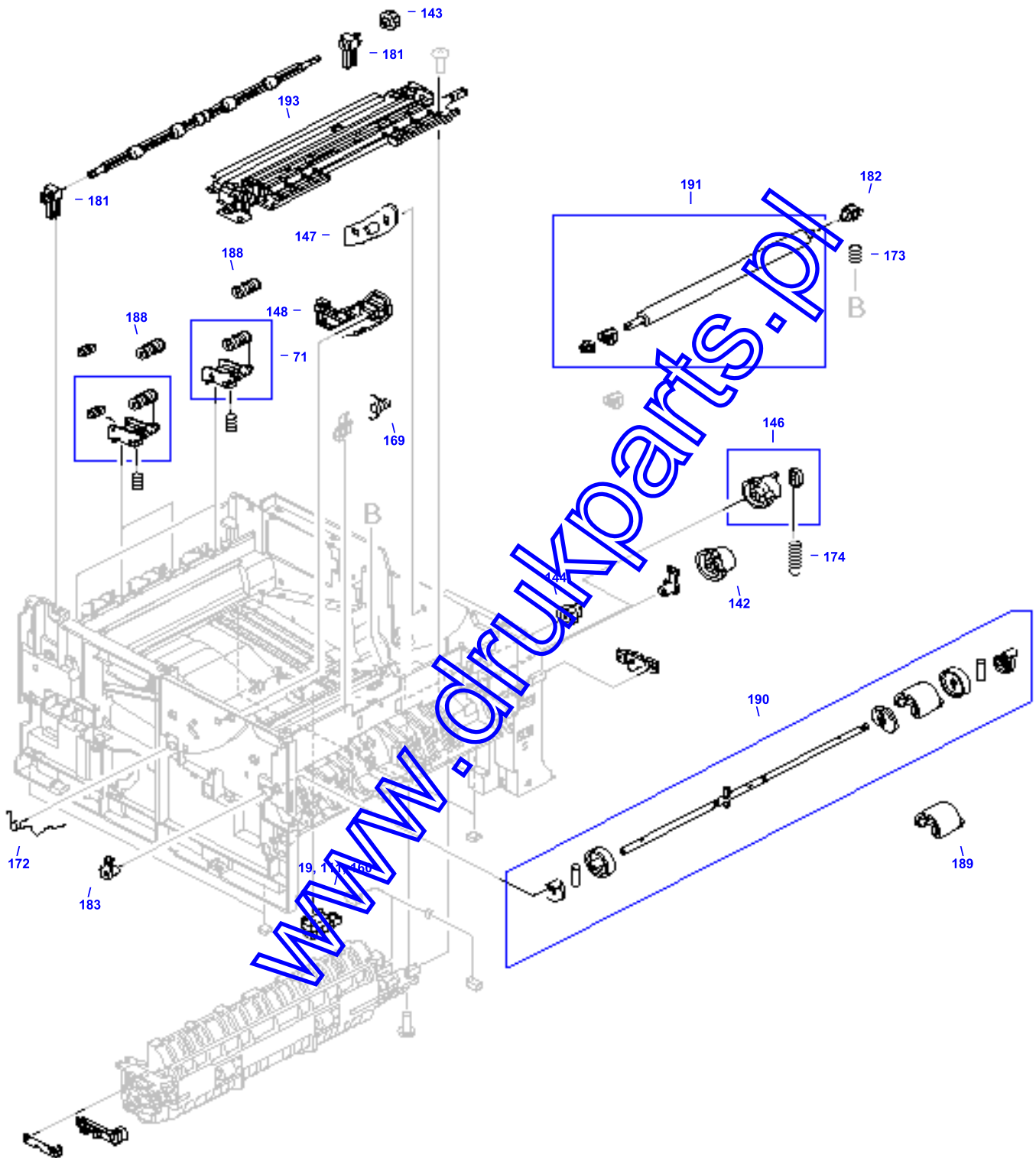
Internal Components (1 of 5)



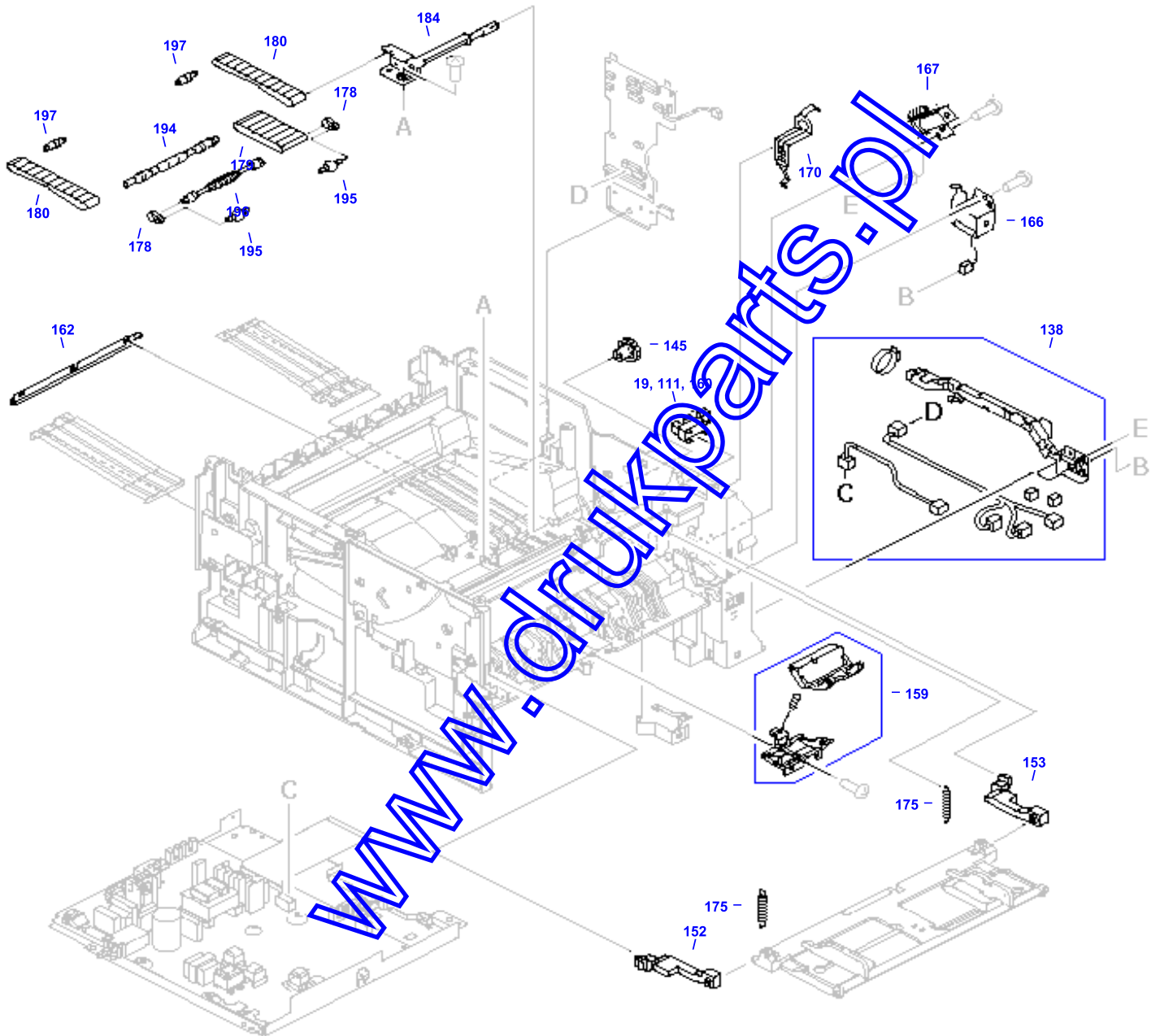
Internal Components (2 of 5)



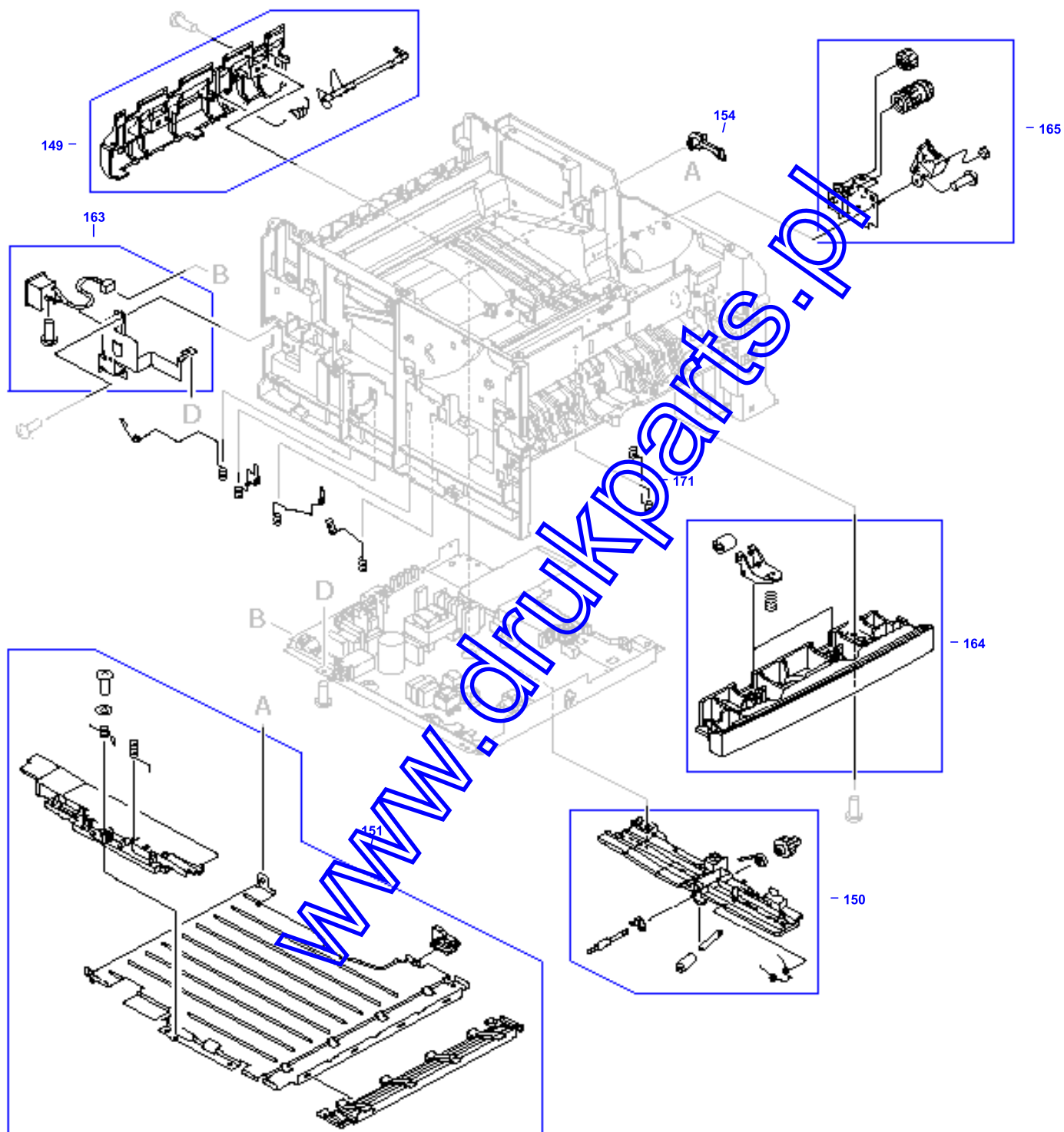
Internal Components (3 of 5)



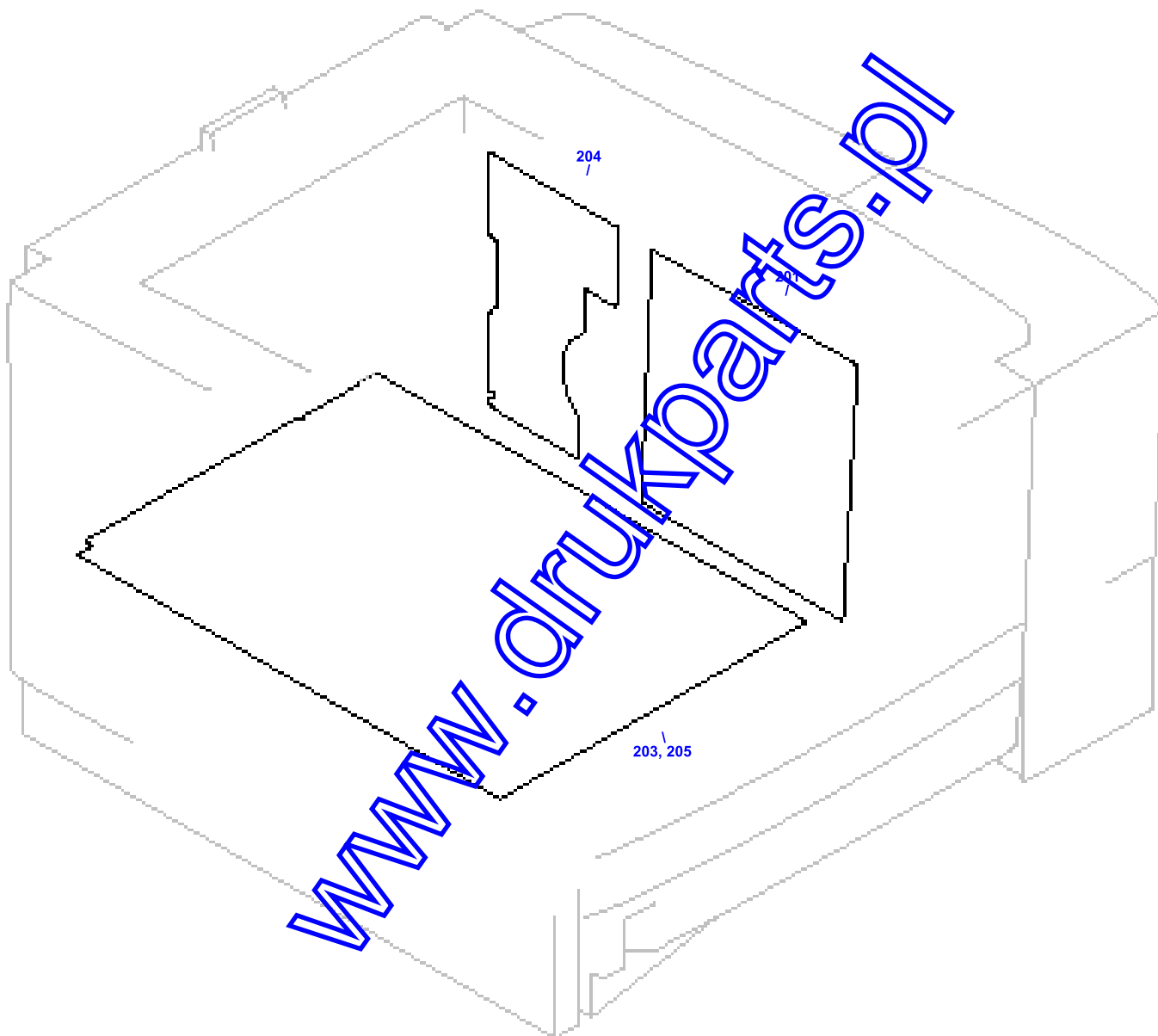
Internal Components (4 of 5)



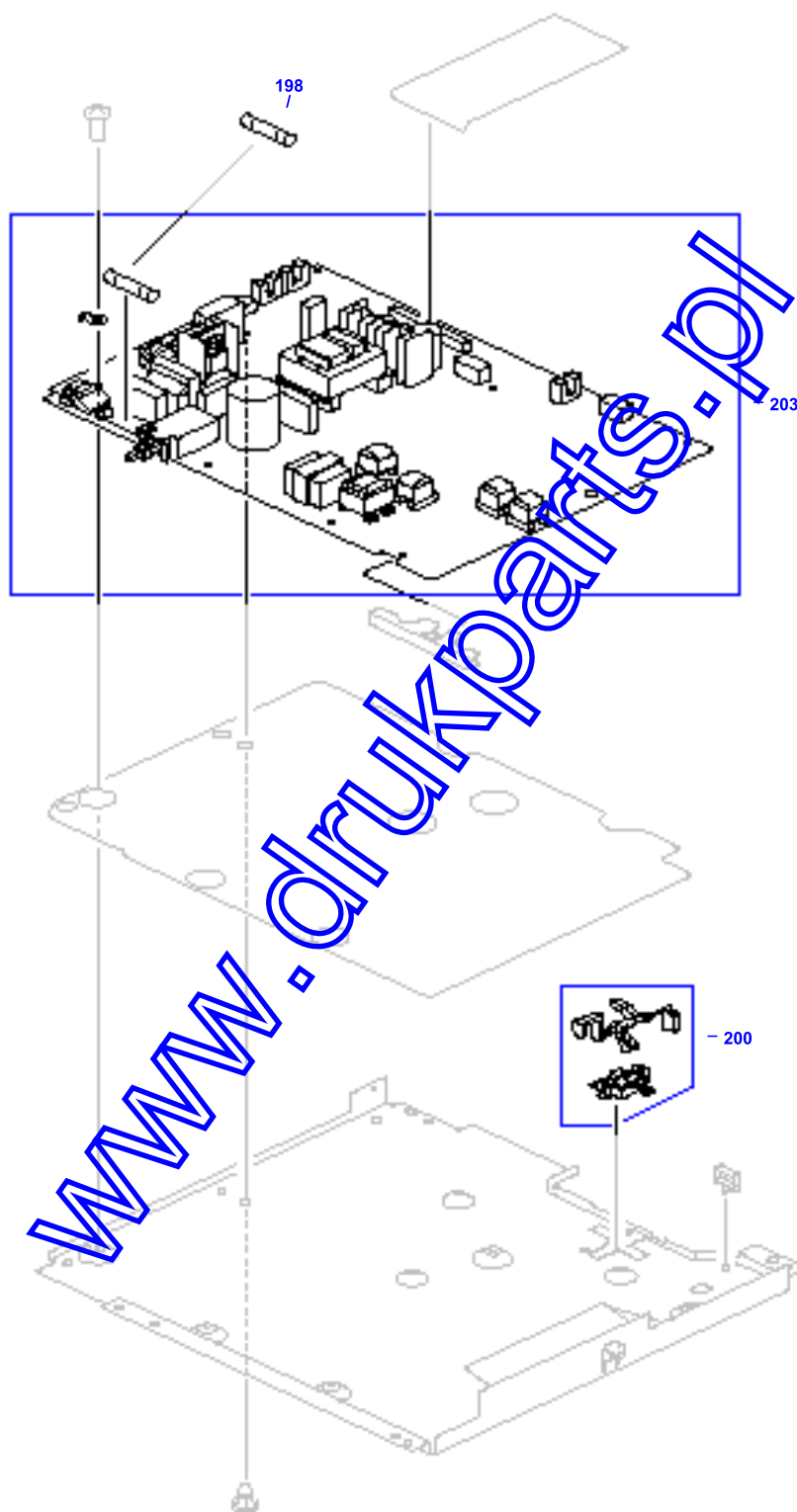
Internal Components (5 of 5)



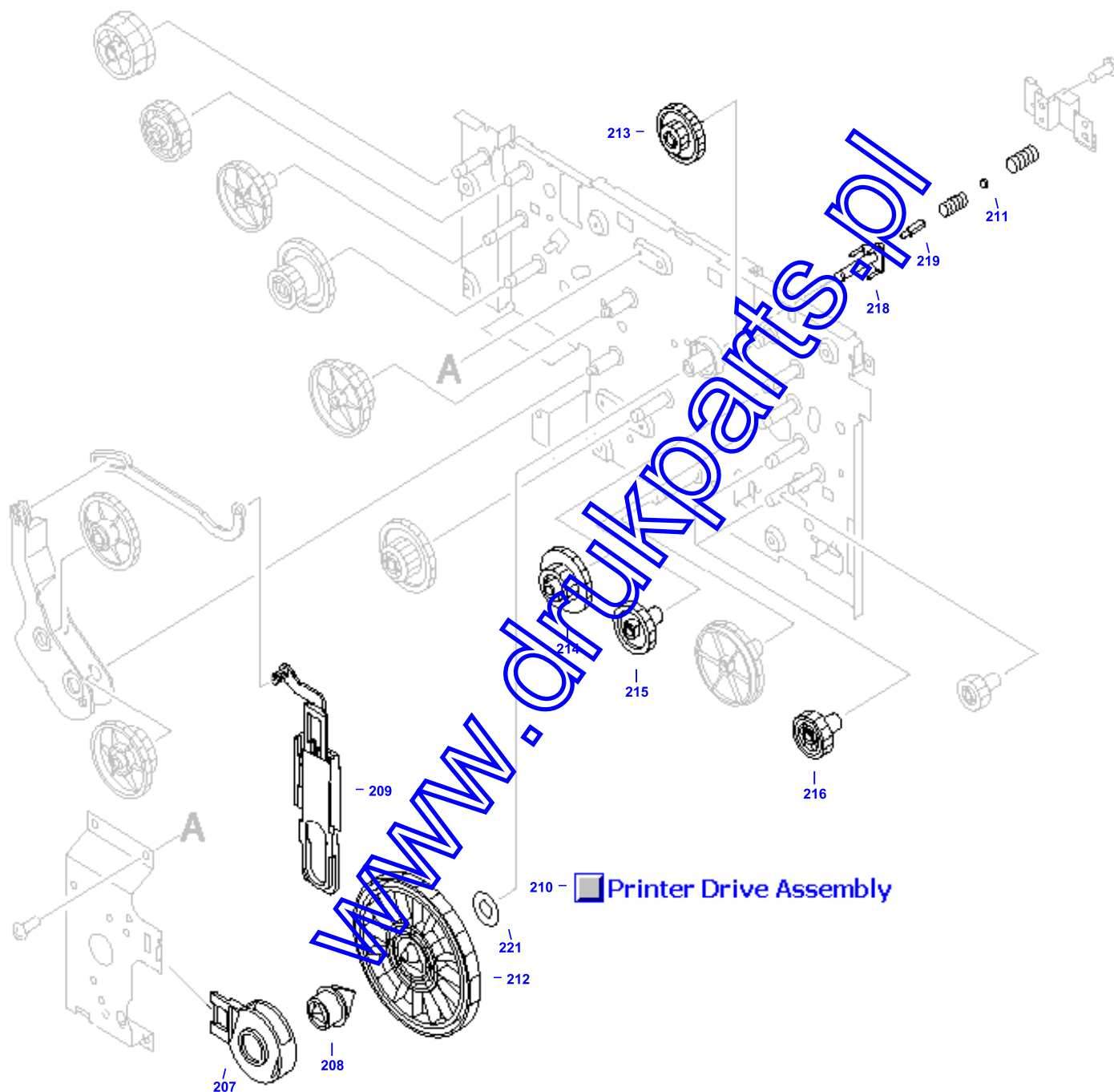
PC Board Locator



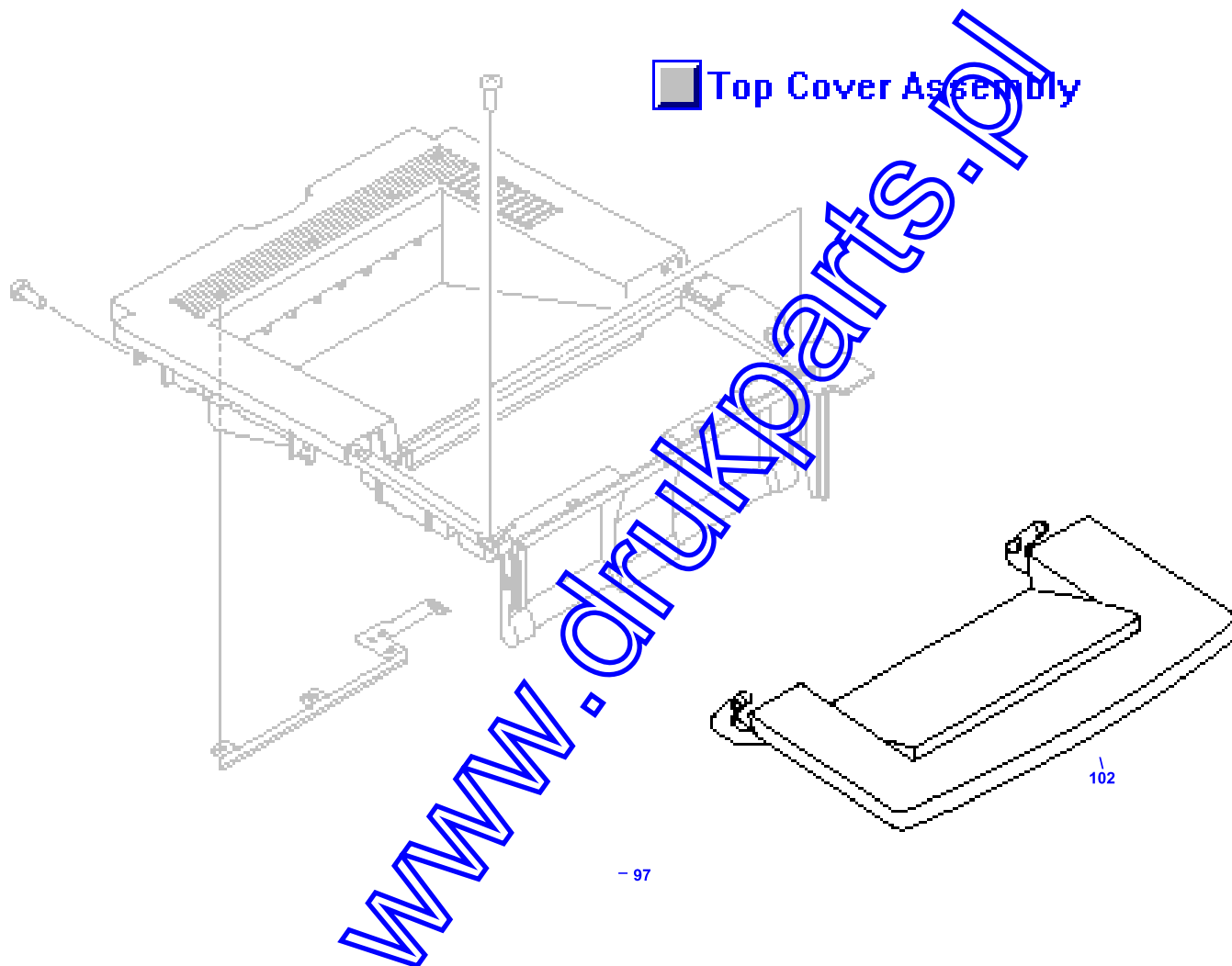
Power Supply Assembly



Printer Drive Assembly



Top Cover Assembly





HP Parts Reference Guide

<http://www.hp.com/go/parts>

HP PartSurfer

<http://partsurfer.hp.com>

HP Parts Ordering Information

<http://www.hp.com/go/hpparts>

HP Parts Questions/Comments

<http://partsurfer.hp.com/contactus.htm>

www.drukparts.pl