



Accessories

Kit

H3974-60001	Maintenance Kit (120V) - Includes fuser roller assembly, transfer roller assembly, Tray 1 and Tray 2 pick-up rollers, Tray 1 and Tray 2 separation pads. Procedure requires use of service manual.
H3974-60002	Maintenance Kit (220V) - Includes fuser roller assembly, transfer roller assembly, Tray 1 and Tray 2 pick-up rollers, Tray 1 and Tray 2 separation pads. Procedure requires use of service manual.
3 RY7-5052-000CN	Transport roller kit - Contains all of the rollers used in the paper transport assembly
4 RY7-5053-000CN	Transport belt kit - Contains all of the belts used in the paper transport assembly

Tray Assembly

C4793-67901	250 Sheet tray assembly
-------------	-------------------------

Electronic Accessories

Cable (Interface)

5063-1256	IEEE-1284 Bi-Tronics parallel cable - DB-25 (M) connector (type A) to 36 pin Centronics (M) connector (type B) - 2.0m (6.6ft) long
5063-1257	IEEE-1284 Bi-Tronics parallel cable - DB-25 (M) connector (type A) to 36 pin Centronics (M) connector (type B) - 3.0m (9.8ft) long
92215S	RS-422 serial cable - 8 pin (M) to 8 pin (M) - 2.0m (6.6ft) long - For connecting Apple Macintosh with LocalTalk/serial connector
C2950A	IEEE-1284 Bi-Tronics parallel cable - DB-25 (M) connector (type A) to 36 pin Centronics (M) connector (type B) - 2.0m (6.6ft) long
5063-1256	<i>New Part for C2950A</i>
C2951A	IEEE-1284 Bi-Tronics parallel cable - DB-25 (M) connector (type A) to 36 pin Centronics (M) connector (type B) - 3.0m (9.8ft) long
C2990A	IEEE-1284 Bi-Tronics parallel cable - DB-25 (M) (type A) to 36 pin (M) Centronics (type B) - 1.8m (6ft) long NO LONGER SUPPLIED
C2991A	IEEE-1284 Bi-Tronics parallel cable - DB-25 (M) (type A) to 36 pin (M) Centronics (type B) - 3.0m (10ft) long NO LONGER SUPPLIED

Interface (Product)

J6057A	JetDirect 615N internal print server (10Base-T and 100Base-TX) LAN interface board - Plugs into peripheral EIO slot - Has a RJ-45 connector - Comes with software on CD-ROM and manual
J6057AR	JetDirect 615N internal print server (10Base-T and 100Base-TX) LAN interface board - Plugs into peripheral EIO slot - Has a RJ-45 connector - Comes with software on CD-ROM and manual

Memory (DIMM)

C3098-60001	PostScript emulation DIMM module - Includes 4MB of memory - (Part of C3098A)
-------------	--

Memory (Product)

C3098A	HP PostScript Emulation DIMM - Includes 4MB of memory - For use with HP LaserJet 2100
C4135A	4MB, 100-pin, 32-bit, 60ns, EDO DRAM DIMM memory module
C4136A	8MB, 100-pin, 32-bit, 60ns, EDO DRAM DIMM memory module
C4137A	16MB, 100-pin, 32-bit, 60ns, EDO DRAM DIMM memory module

PC Board (Interface)

J3110-69001	JetDirect 600N EIO internal print server 10Base-T LAN interface board - Has one RJ-45 connector - (J3110A) - Comes Standard in the C4172A LaserJet 2100TN
J6057-69001	<i>New Part for J3110-69001</i>

External Case Parts

Button

21 RB2-2859-000CN	Power switch button
-------------------	---------------------

Cover

22 RB2-2857-000CN	Rear cover
23 RB2-2862-000CN	Right rear side cover - Swing away I/O cover



External Case Parts

Cover

- 24 RB2-2866-000CN I/R port cover - Black 'D' shaped piece on front right side
- 25 RG5-4121-000CN Multi-purpose input tray cover assembly - Includes pull-out and flip-out tray extensions
- 26 RG5-4122-000CN Top cover assembly - Face-down output tray and toner cartridge access door
- 27 RG5-4123-140CN DIMM cover assembly
- 28 RG5-4139-000CN Left cover assembly - Includes power button and spring

Door

- 29 RB2-2856-000CN Toner cartridge access door

Extender

- 30 RB2-2875-000CN Face-up output tray pull out extender
- 31 RB2-3036-000CN Tray 1 extender - Pull-out tray extension
- 32 RB2-3037-000CN Tray 1 extender - Flip-out paper extender

Foot

- 33 RB2-2816-000CN Rubber foot

Gear

- 34 RB2-2885-000CN Gear - 18 tooth

Guide

- 35 RB2-2877-000CN Paper guide - Curved teeth at bottom of face-up output tray

Pad

- 36 RB2-2886-000CN Separation pad - MP/TRAY 1 separation pad

Spring

- 37 RB2-2860-000CN Power button spring - Provides tension for power button

Tray

- 38 RB2-2876-000CN 'Face-up' drop-down output tray
- 39 RG5-4126-000CN Multi-Purpose input tray (Tray 1)

Fusing Assembly Parts

Bushing

- 40 RB2-2973-000CN Support bushing
- 41 RB2-2985-000CN Roller bushing - Right side delivery roller support bushing
- 42 RB2-2986-000CN Roller bushing - Left side delivery roller support bushing

Fusing Assembly

- 43 RG5-4132-170CN Fusing roller assembly (for 100V to 120V operation) - Bonds toner to paper with heat
- 44 RG5-4133-170CN Fusing Roller Assembly - 220V Operation

Gear

- 45 RS6-0442-000CN Upper delivery roller drive gear - 14 tooth
- 46 RS6-0443-000CN Delivery roller gear - 15 tooth
- 47 RS6-0458-000CN Pressure roller gear - 26 tooth

Guide

- 48 RB2-2974-000CN Entrance guide - Paper input guide to fusing assembly
- 49 RB2-2979-000CN Delivery roller guide - Supports delivery roller
- 50 RG5-4141-000CN Upper delivery guide - Has four separate rollers and springs

Holder

- 51 RF5-2609-000CN Contact holder - Anchors fusing assembly to chassis

www.druckparts.pl



Fusing Assembly Parts

Lever

52 RB2-2981-030CN Paper sensor lever

PC Board

53 WG8-5382-000CN Sensor PC board - Small board with flag activated photosensor

Plate

54 RB2-2975-000CN Pressure plate - Covers top of fusing roller

55 RB2-2990-000CN Grounding plate - On end of delivery roller

Roller

56 RB2-2977-000CN Delivery roller - Roller for upper delivery guide

57 RF5-2601-020CN Pressure roller - Applies pressure to paper as it feeds through the fusing roller

58 RF5-2603-000CN Delivery roller - Feeds paper out of fusing assembly

59 RG5-4134-040CN Fusing roller assembly (For 100V to 120V operation) - Includes heating element and fixing film sleeve

60 RG5-4135-040CN Fusing roller assembly (For 220V to 240V operation) - Includes heating element and fixing sleeve

Spring

61 RB2-2978-000CN Compression spring - Provides tension for upper delivery rollers mounted on upper delivery guide - 4 used

62 RB2-2982-020CN Torsion spring - Provides tension for paper sensor lever

63 RS6-2029-000CN Compression spring between fusing roller and pressure plate above fusing roller

Interface Board Parts

PC Board (Interface)

J3110-69001 JetDirect 600N EIO internal print server 10Base-T LAN interface board - Has one RJ-45 connector - (J3110A) - Comes Standard in the C4172A LaserJet 2100TN

J6057-69001 *New Part for J3110-69001*

J3111-69001 JetDirect 600N EIO internal print server 10Base-T, 10BASE-2, and LocalTalk LAN interface board - Has one RJ-45, BNC, and 8-pin DIN connector - (J3111A) - NOTE: EIO interface boards are NOT interchangeable with MIO boards REQUIRES RETURN OF DEFECTIVE PART

J3111-61001 *New Part for J3111-69001*

Optional Interfaces

Interface (Product)

J3113A JetDirect 600N internal print server (10Base-T and 100Base-TX) LAN interface board - Plugs into peripheral EIO slot

J4135A JetDirect connectivity card - Has one USB port, one serial (DB9) port and one LocalTalk port - Plugs in the EIO slot on selected DesignJet and LaserJet printers

J4169A JetDirect 610N internal print server (10Base-T and 100Base-TX) LAN interface board - Plugs into peripheral EIO slot - Has a RJ-45 connector - Comes with software on CD-ROM and manual

PC Board (Interface)

J3112-69001 JetDirect 600N EIO internal print server token ring LAN interface board - Has one RJ-45 and DB-9 connector

J4167-69001 *New Part for J3112-69001*

J3113-69001 JetDirect 600N EIO internal print server 10Base-T and 100Base-T LAN interface board - Has one RJ-45 connector

J4135-61001 JetDirect connectivity card - Has one USB port, one serial (DB9) port and one LocalTalk port

Optional Paper Tray

Tray Assembly

C4793A 250 Sheet Universal paper tray assembly (Tray 3) - Holds 250 sheets of letter, legal, Executive, A4, A5, or B5 ISO size paper - Printer sits on top of this tray - Below Tray 2 of Printer

C4793B *New Part for C4793A*



Other Accessories

CD-ROM (Support)

C4170-60173 LaserJet 2100 user guide and service manual - Includes video clips for service/repair procedures

Cartridge

C4096A LaserJet 2100 and 2200 series toner cartridge (Ultra-Precise) - Prints approximately 5, 000 pages

Manual

C4170-90901 LaserJet 2100 user guide (English)
C4170-90902 LaserJet 2100 user guide (French)
C4170-90903 LaserJet 2100 user guide (Italian)
C4170-90904 LaserJet 2100 user guide (German)
C4170-90905 LaserJet 2100 user guide (Spanish)
C4170-90906 LaserJet 2100 user guide (Dutch)
C4170-90907 LaserJet 2100 user guide (Danish)
C4170-90908 LaserJet 2100 user guide (Finnish)
C4170-90909 LaserJet 2100 user guide (Norwegian)
C4170-90910 LaserJet 2100 user guide (Swedish)
C4170-90911 LaserJet 2100 user guide (Portuguese)
C4170-90912 LaserJet 2100 user guide (Polish)
C4170-90913 LaserJet 2100 user guide (Turkish)
C4170-90914 LaserJet 2100 user guide (Traditional Chinese, Taiwan)
C4170-90915 LaserJet 2100 user guide (Korean)
C4170-90916 LaserJet 2100 user guide (Russian)
C4170-90917 LaserJet 2100 user guide (Hungarian)
C4170-90918 LaserJet 2100 user guide (Czechoslovakian)
C4170-90919 LaserJet 2100 user guide (Simplified Chinese)
C4170-90920 LaserJet 2100 user guide (Thailand)
C4170-90921 LaserJet 2100 user guide (Arabic)
C4170-90922 LaserJet 2100 user guide (Greek)
C4170-90923 LaserJet 2100 user guide (Hebrew)
C4170-90959 LaserJet 2100 service manual (English) - Printed version
5021-8943 LaserJet quick reference guide - Volume 1 of 2 volume set
5090-3390 LaserJet quick reference guide - Volume 2 of 2 volume set

Software

C6072-60301 HP-GL/2 driver software for AutoCAD - For DOS and Windows 3.1/95/NT 4.0 - On 3.5-inch 1.44MB floppy disks (English)
C6072-60304 HP-GL/2 driver software for AutoCAD - For DOS and Windows 3.1/95/NT 4.0 - On 3.5-inch 1.44MB floppy disks (German)
C6072-60305 HP-GL/2 driver software for AutoCAD - For DOS and Windows 3.1/95/NT 4.0 - On 3.5-inch 1.44MB floppy disks (French)
C6072-60306 HP-GL/2 driver software for AutoCAD - For DOS and Windows 3.1/95/NT 4.0 - On 3.5-inch 1.44MB floppy disks (Spanish)
C6072-60307 HP-GL/2 driver software for AutoCAD - For DOS and Windows 3.1/95/NT 4.0 - On 3.5-inch 1.44MB floppy disks (Italian)

Other Internal Parts

Cable

106 RG5-4254-000CN Multi-purpose input tray sensor cable - Right side
107 RG5-4255-000CN DC power cable
108 RG5-4262-000CN Paper feeder cable



Other Internal Parts

Cable

- 109 RG5-4263-000CN Frame ground cable
- RH2-5348-000CN ECU cable - Large flat cable on engine controller board
- 111 RH2-5350-000CN Flat cable (white) - From interconnect board to formatter board

Connector

- 112 VS1-6173-006CN 6P connector

Fan

- 113 RH7-1383-000CN Cooling fan
- RH7-1382-000CN *New Part for RH7-1383-000CN*

Filter

- 114 RB2-2817-000CN Dust filter for cooling fan

Gear

- 115 RB2-3040-000CN Gear - 26 tooth - Tray 1 pick-up roller drive gear
- 116 RS6-0441-000CN Upper delivery roller drive gear - 15 tooth
- 117 RS6-0445-000CN Registration roller drive gear - 14 tooth
- 118 RS6-0459-000CN Transfer roller drive gear - 17 tooth
- 119 RS6-0464-000CN Feed belt drive gear - 20 tooth

Gear Assembly

- 120 RG5-4156-000CN Cassette pick-up gear assembly

Guide

- 121 RB2-2818-000CN Ribbon cable guide - Protects ribbon cable on right side
- 122 RB2-2830-020CN Cartridge guide - Right side toner cartridge guide
- 123 RB2-2831-020CN Cartridge guide - Left side toner cartridge guide

Hinge

- 124 RB2-3041-000CN Tray hinge - For the left side of the multi-purpose front input tray (tray 1)
- 125 RB2-3042-000CN Tray hinge - For the right side of the multi-purpose front input tray (tray 1)

Holder

- 126 RB2-2838-000CN Separation pad holder for MP/tray 1

Lever

- 127 RB2-2836-000CN Paper sensor lever - Mechanical device that engages photo sensor
- 128 RB2-2842-000CN Paper sensor lever

Motor

- 129 RH7-1381-000CN Main motor

PC Board

- 130 WG8-5382-000CN Sensor PC board - Small board with flag activated photosensor

Plate

- 131 RB2-2812-000CN Grounding plate - Ground plate for fusing assembly RFI
- 132 RB2-2946-000CN FFC guide plate - Holds white flat cable in place
- 133 RB2-3080-000CN Grounding plate - Electrical chassis ground connection

Roller

- 134 RB2-3057-000CN Tension roller - Under middle paper transfer belt - Provides tension and guides bottom of middle belt

Shield

- 135 C4170-60101 Formatter board RFI shield

www.druckparts.pl

**Other Internal Parts****Solenoid**

- 136 RH7-5209-000CN Solenoid
137 RH7-5211-000CN Solenoid (SL502) - Multipurpose tray (Tray 1) solenoid

Spring

- 138 RB2-2828-000CN Compression spring - Toner cartridge bias connection - Rear left side
139 RB2-2829-000CN Compression spring - Toner cartridge bias connection - Forward left side
140 RB2-2837-000CN Torsion spring - Provides tension for paper sensor lever
141 RB2-2843-000CN Torsion spring - Provides a small amount of back pressure for the paper sensor flag
142 RB2-2845-000CN Registration roller ground connection
143 RB2-2847-000CN Leaf spring - Electrical ground connection
144 RB2-3045-000CN Chassis ground connection leaf spring
145 RB2-3050-000CN Toner cartridge RFI ground connection
RB2-3075-000CN Leaf spring - Chassis grounding spring
147 RC1-1009-000CN Compression spring - Provides electrical ground connection
148 RS6-2022-000CN Compression spring - Provides tension for right side of transfer roller bushing
149 RS6-2024-000CN Compression spring - Provides pressure for MP tray separation pad
150 RS6-2025-000CN Tensioning spring - For the paper pick up gear assembly
151 RS6-2030-000CN Tension spring

Static Dissipater

- 152 RB2-2826-000CN Static dissipator - Discharges static electric charge as paper moves out of transfer charge roller

Switch

- 153 RH7-6051-000CN Microswitch with lever activator

Varistor

- 154 RF5-2611-000CN Toner cartridge bias control (varistor)

PC Boards and Power Cords**Fuse**

- VD7-0211-002CN Fuse - 10A, 125V max
VD7-0646-301CN Low voltage power supply fuse - For 220/240V operation

PC Board

- 207 C4132-69001 Formatter (Main logic) board
REQUIRES RETURN OF DEFECTIVE PART
C4132-60001 New Part for C4132-69001
RG5-4125-020CN Engine controller board - For 100V-127V operation
RG5-4150-020CN Engine controller board - For 220-240V operation
RG5-4250-000CN Intermediate board - Interconnect PC board

PC Board (Interface)

- J3110-69001 JetDirect 600N EIO internal print server 10Base-T LAN interface board - Has one RJ-45 connector - (J3110A) - Comes Standard in the C4172A LaserJet 2100TN
J6057-69001 New Part for J3110-69001

Power Cord

- 8120-6800 Power cord (Flint Gray) - 16 AWG, 2.3m (7.5ft) long - Has straight (F) receptacle (For 240V in Israel)
8120-6809 Power cord (Dove Gray) - 2.3m (7.5ft) long - Has straight (F) receptacle (For 240V operation in the United Kingdom, Hong Kong, Singapore, Malaysia)
8120-6811 Power cord (Flint Gray) - 17 AWG, 2.3m (7.5ft) long - Has straight (F) receptacle (For 220V in Europe, Saudi Arabia, South Africa, India, and Korea)
8120-6812 Power cord (Flint Gray) - 18 AWG, 2.3m (7.5ft) long - Has straight (F) receptacle (For 120V in the USA, Canada, Mexico, Philippines, and Taiwan)



PC Boards and Power Cords

Power Cord

8120-6813	Power cord (Flint Gray) - 17 AWG, 2.3m (7.5ft) long - Has straight (F) receptacle (For 220V in South Africa, Saudi Arabia, and India)
8120-6814	Power cord (Flint Gray) - 17 AWG, 2.3m (7.5ft) long - Has straight (F) receptacle (For 220V in Denmark)
8120-6815	Power cord (Flint Gray) - 17 AWG, 2.3m (7.5ft) long - Has straight (F) receptacle (For 220V in Switzerland)

Paper Path Parts

Belt

155	RB2-3058-000CN	Paper feed belt - Wide middle belt
156	RB2-3059-000CN	Paper feed belt
157	RB2-3060-000CN	Paper feed belt - Short/tiny belts in front of and on each side of middle belt of paper transfer assembly

Bushing

158	RB2-2850-000CN	Upper delivery roller bushing
159	RB2-2926-020CN	Transfer roller bushing - Supports right side of transfer roller
160	RB2-3043-000CN	Left roller bushing - Acts as the bearing and retainer for the left end of the paper pick-up roller assembly (tray 1)
161	RB2-3044-000CN	Right roller bushing - Acts as the bearing and retainer for the right end of the paper pick-up roller assembly (tray 1)

Cam

162	RB2-2902-000CN	Pick-up roller cam - Left side
163	RB2-2903-000CN	Pick-up roller cam - Right side

Clip

164	XD9-0134-000CN	E-ring retainer clip
-----	----------------	----------------------

Drive Assembly

165	RG5-4160-000CN	Gear assembly - Drives paper transfer belt assembly
-----	----------------	---

Holder

166	RB2-3047-000CN	Roller holder - Holds white guide roller
167	RB2-3074-000CN	Idler shaft holder - Holds small rear idler shaft

Laser/Scanner

168	RG5-4172-000CN	Laser/scanner assembly
-----	----------------	------------------------

Pad

169	RB2-6348-000CN	Separation pad - MP/TRAY 1 separation pad
-----	----------------	---

Pin

170	XD9-0159-000CN	Dowel pin - Holds roller/cam pieces on roller dowel
-----	----------------	---

Roller

171	RB2-2849-000CN	Face-down delivery roller - Lower rollers
172	RB2-2891-000CN	Pick-up roller assembly - Black and white 'D' shaped pickup roller with a slot in the end of the shaft
173	RB2-2900-000CN	Pickup roller - MP/TRAY 1 pickup roller
174	RB2-2904-000CN	Round roller - One on each side of D-roller
175	RB2-3046-000CN	Guide roller - Provides pressure against feed roller
176	RF5-2604-000CN	Delivery roller - Upper face-down delivery roller
177	RG5-4119-000CN	Cleaning roller assembly - Black roller above static charge eliminator - Cleans excess toner from drum
178	RG5-4128-000CN	Multi-purpose tray pick-up roller assembly - Includes pick-up roller, roller cam, right and left cams, both round rollers and dowel pin
179	RG5-4164-030CN	Transfer roller assembly - Includes left side bushing

Roller Assembly

180	RG5-4129-000CN	Registration assembly - Registration shutter and roller with holder frame assembly
-----	----------------	--



Paper Path Parts

Shaft

181	RB2-2825-000CN	Belt shaft 3 - Tiny idler shafts at back of narrow paper belts
182	RB2-3048-000CN	Guide roller shaft - Axle for white guide roller
183	RB2-3054-000CN	Idler shaft - Small front pulleys attached to small belts
184	RB2-3056-000CN	Belt drive shaft 2 - Front of middle wide belt - Tiny drive belts attach on each end of this shaft
185	RB2-3073-000CN	Belt drive shaft 1 - Between wide middle belt and the two narrower rear belts - Transfers power from gear assembly

Spring

186	RS6-2023-000CN	Compression spring - Provides tension for the lower face-down delivery roller assembly
187	RS6-2033-000CN	Roller spring - Provides pressure for guide roller

Paper Tray Parts

Arm

188	RB2-3004-000CN	Release arm - Left side lifting plate release arm
189	RB2-3005-000CN	Release arm - Right side lifting plate release arm
190	RB2-3009-030CN	Lock arm - Locks rear paper length adjustment plate
191	RB2-3010-000CN	Paper sensor arm - Indicates on front cover the quantity of paper in tray

Cover

192	RB2-3000-000CN	Front cover - Front cover and pull handle for paper tray
-----	----------------	--

Gear

193	RS6-0440-000CN	Gear - 10 tooth - Mechanical connection between right and left side paper plates
-----	----------------	--

Holder

194	RB2-3013-000CN	Pad holder - Separation pad holder on front of tray
-----	----------------	---

Pad

195	RB9-0695-020CN	Separation pad - Moveable pad on front of Optional 250 sheet paper tray (C4793A)
-----	----------------	--

Plate

196	RB2-3003-020CN	Rear end plate of paper cassette
197	RF5-2599-000CN	Upper lifting plate
198	RF5-2606-000CN	Adjustable width plate - Right side paper width stop plate
199	RG5-4159-000CN	Adjustable width plate - Left side paper width stop plate

Spring

200	RB2-3012-000CN	Leaf spring - Provides side tension for paper in tray
201	RS6-2020-000CN	Plate spring - Provides pressure for paper lifting plate
202	RS6-2021-000CN	Pad spring - Provides tension for separation pad on front of paper tray
203	RS6-2035-000CN	Plate spring - Provides tension for left side width plate

Tray

204	R98-1003-140CN	250 sheet paper tray - Adjusts for letter, legal, Executive, and A4 paper - Used for tray 2 and optional tray 3
-----	----------------	---

Printer Drive Parts

Arm

219	RB2-2938-000CN	Drive arm - Engages/disengages motor to drum drive assembly
-----	----------------	---

Bushing

220	RB2-2936-000CN	Coupler bushing - Supports largest drive gear coupler
-----	----------------	---

Coupler

221	RB2-2935-000CN	Gear coupler
222	RG5-4140-000CN	Coupling assembly - Engages drive gear assembly

Printer Drive Parts

Drive Assembly

223 RG5-4131-020CN Printer drive assembly

Flange

224 RB2-2950-000CN Spring spacer - Fits between the two drum clutch springs

Gear

225 RS6-0446-000CN Gear '#5' - 201 tooth gear
226 RS6-0447-000CN Cluster gear '#4' - 58/92 tooth
227 RS6-0448-000CN Cluster gear '#11' - 17/68 tooth
228 RS6-0449-000CN Cluster gear '#10' - 25/41 tooth
229 RS6-0450-000CN Printer drive gear '#9' - 31 tooth
230 RS6-0451-000CN Printer drive gear '#8' - 26 tooth
231 RS6-0452-000CN Cluster gear - 22/93 tooth
232 RS6-0453-000CN Cluster gear '#2' - 23/46 tooth
233 RS6-0454-000CN Gear - 48 tooth
234 RS6-0455-000CN Printer drive gear '#1' - 67 tooth
235 RS6-0456-000CN Cluster gear '#6' - 22/86 tooth
236 RS6-0457-000CN Printer drive gear '#7' - 53 tooth

Guide

237 RB2-2944-000CN PCA guide - Holds extended I/O PC board

Holder

238 RB2-2947-000CN Pin holder - Holds drum drive clutch pin

Lever

239 RB2-2939-000CN Drive release lever

Pin

240 RB2-2943-000CN Clutch pin - Holds drum drive clutch springs

Plate

241 RB2-2937-000CN Motor plate - Metal plate that secures coupler assembly
242 RB2-2945-000CN Mount plate - Protective plate for extended I/O PCA
243 RB2-2948-000CN Spring plate - Holds clutch pin and springs in place

Spring

244 RS6-2027-020CN Compression spring - Drum drive clutch spring
245 RS6-2031-000CN Compression spring - Drum drive clutch spring

Washer

246 RB2-2949-000CN Gear washer

Tray 2 Pickup Assembly

Bushing

247 RB2-2895-000CN Shaft bushing/retainer - Pickup roller support bushing on right side - Pickup Roller Right Side Support Bushing
248 RB2-2896-000CN Shaft bushing/retainer - Pickup roller support bushing on left side - Pickup Roller Left Side Support Bushing
249 RB2-2897-000CN Shaft bushing/retainer - Right side drive shaft support bushing
250 RB2-3081-000CN Feed roller bushing - Right side feed roller support
251 RB2-3082-000CN Feed roller bushing - Left side feed roller support

Clip

252 XD9-0135-000CN Shaft E-clip



Tray 2 Pickup Assembly

Gear

- 253 RS6-0462-000CN Gear - 14 tooth
- 254 RS6-0463-000CN Gear - 13 tooth

Holder

- 255 RB2-2899-000CN Gear holder - Holds two gears that engage pickup roller

Lever

- 256 RB2-2894-000CN Paper sensor lever

Pickup Assembly

- 257 RG5-4127-000CN Tray 2 pickup assembly
- RG5-4127-070CN *New Part for RG5-4127-000CN*

Roller

- 258 RB2-2892-000CN Guide roller (Free spinning white plastic roller) - One on each side of the rubber paper pick-up roller - (Two used)
- 259 RG5-4127-070CN Feed roller - Shaft with two rollers - Behind pickup roller

Shaft

- 260 RB2-2893-000CN Drive shaft - Drives pickup roller
- 261 RB2-3083-000CN Gear shaft - Axle for 14 tooth gear on drive gear holder

Spring

- 262 RS6-2034-000CN Torsion spring - Provides tension for gear holder assembly

Tray 3 Assembly Parts

Bushing

- 263 RB2-2895-000CN Shaft bushing/retainer - Pickup roller support bushing on right side - Pickup Roller Right Side Support Bushing
- 264 RB2-2896-000CN Shaft bushing/retainer - Pickup roller support bushing on left side - Pickup Roller Left Side Support Bushing
- 265 RB2-3486-000CN Roller bushing - Tray 3 left side feed roller bushing
- RB2-6470-000CN *New Part for RB2-3486-000CN*
- 266 RB2-3487-000CN Roller bushing - Right side feed roller bushing

Cable

- 267 RG5-4278-000CN Sensor cable
- 268 RG5-4280-000CN Relay cable - One connector to two connectors - Six wires
- 269 RG5-4281-000CN Frame ground cable - Ground connection to feed drive housing - Round crimp lug to push-on connector with green wire

Connector

- 270 VS1-6174-006CN Feed drive assembly connector

Cover

- 271 RB2-3479-000CN 250 sheet feeder cover
- 272 RB2-3480-000CN 250 sheet feeder drive cover
- 273 RB2-3489-000CN Inner cover (Small Quartz Gray plastic cover)

Feed Assembly

- 274 RG5-4394-020CN Feed roller assembly - Includes roller, holder and spring

Foot

- 275 RB2-2816-000CN Rubber foot

Gear

- 276 RS6-0501-000CN Drive gear - 15 tooth

Holder

- 277 RB2-3485-000CN Roller holder



Tray 3 Assembly Parts

Housing

278 RB2-3471-040CN Tray 3 housing - Bare frame that printer sits on top of printer

Lever

279 RB2-3474-000CN Paper sensor lever

PC Board

280 RG5-4277-000CN Tray 3 controller board - Paper feed drive PCA

281 WG8-5382-000CN Sensor PC board - Small board with flag activated photosensor

Roller

282 RB2-2891-000CN Pick-up roller assembly - Black and white 'D' shaped pickup roller with a slot in the end of the shaft

283 RB2-2892-000CN Guide roller (Free spinning white plastic roller) - One on each side of the rubber paper pick-up roller - (Two used)

284 RB2-3484-000CN Feed roller - Feed roller for sheet feeder - White plastic roller

285 RB2-3490-000CN Feed roller - Tray 3 feed roller

Spring

286 RS6-2063-000CN Roller spring - Provides pressure for feed roller

287 RS6-2064-000CN Bushing spring - Provides tension for right side feed roller support bushing

Tray 3 Drive Parts

Bushing

288 RB2-3475-000CN Support bushing - Feeder drive shaft bushing

Drive Assembly

289 RG5-4391-060CN Paper feeder drive assembly

Gear

290 RS6-0495-000CN Clutch gear - 27 tooth

RG5-4391-060CN *New Part for RS6-0495-000CN*

291 RS6-0497-000CN Cluster gear - 39/34 tooth

292 RS6-0498-000CN Gear - 45 tooth

293 RS6-0499-000CN Gear - 39 tooth

294 RS6-0500-000CN Gear - 17 tooth

Gear/Arm

295 RF5-2755-000CN Swing gear - Swing assembly includes upper cluster gear

Hook

296 RB1-2190-000CN Pick-up roller spring hook

Pin

297 RB1-6133-000CN Hook spring anchor pin

Plate

298 RB2-3481-000CN Solenoid plate

Shaft

299 RB2-2893-000CN Drive shaft - Drives pickup roller

Solenoid

300 RH7-5213-000CN Drive solenoid - Engages swing gear assembly

Spring

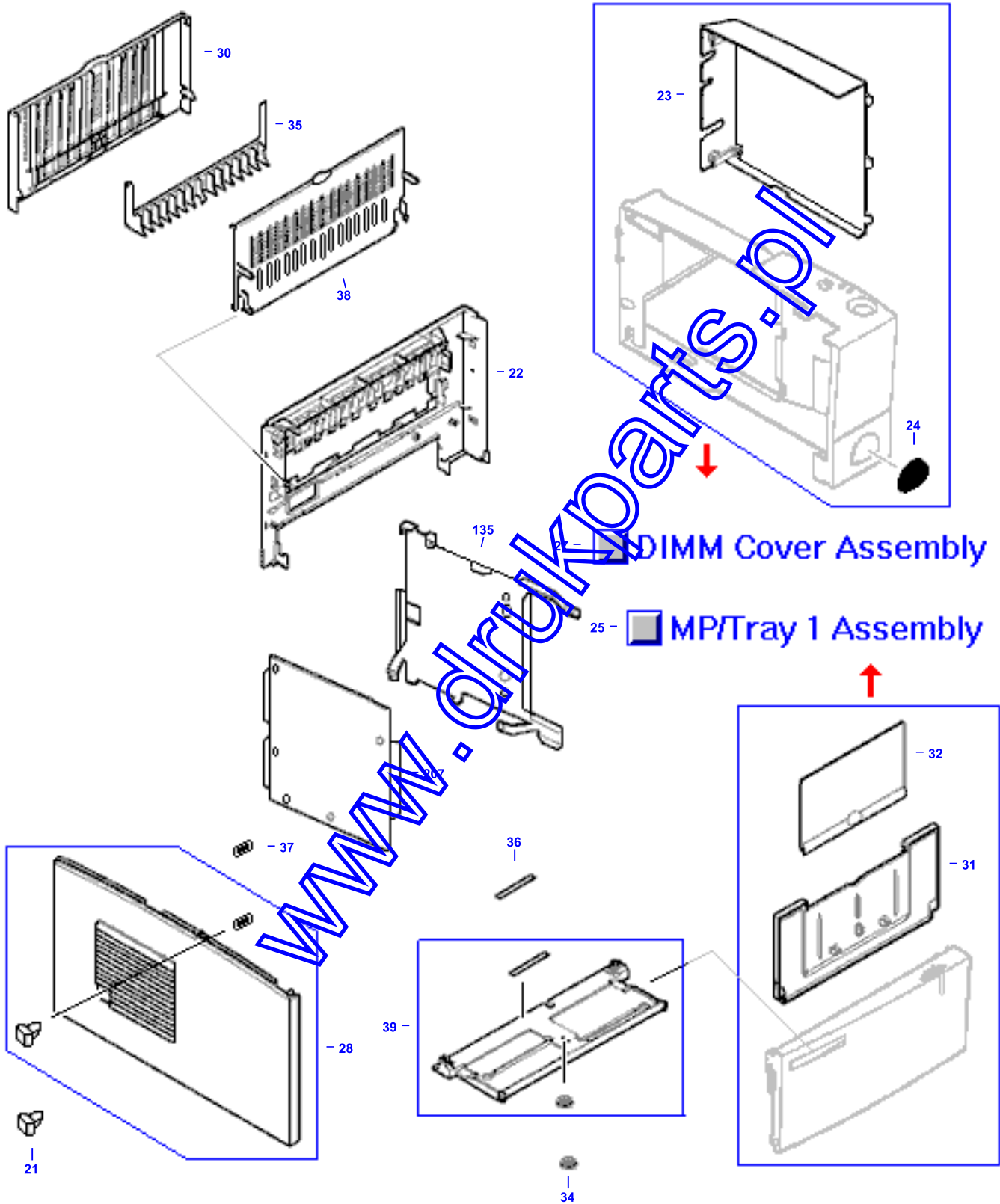
301 RB2-3478-000CN Leaf spring - Provides tension for drive shaft bushing

302 RS6-2061-000CN Clip spring - Provides tension for clip

303 RS6-2062-000CN Swing gear spring - Provides tension for swing gear assembly

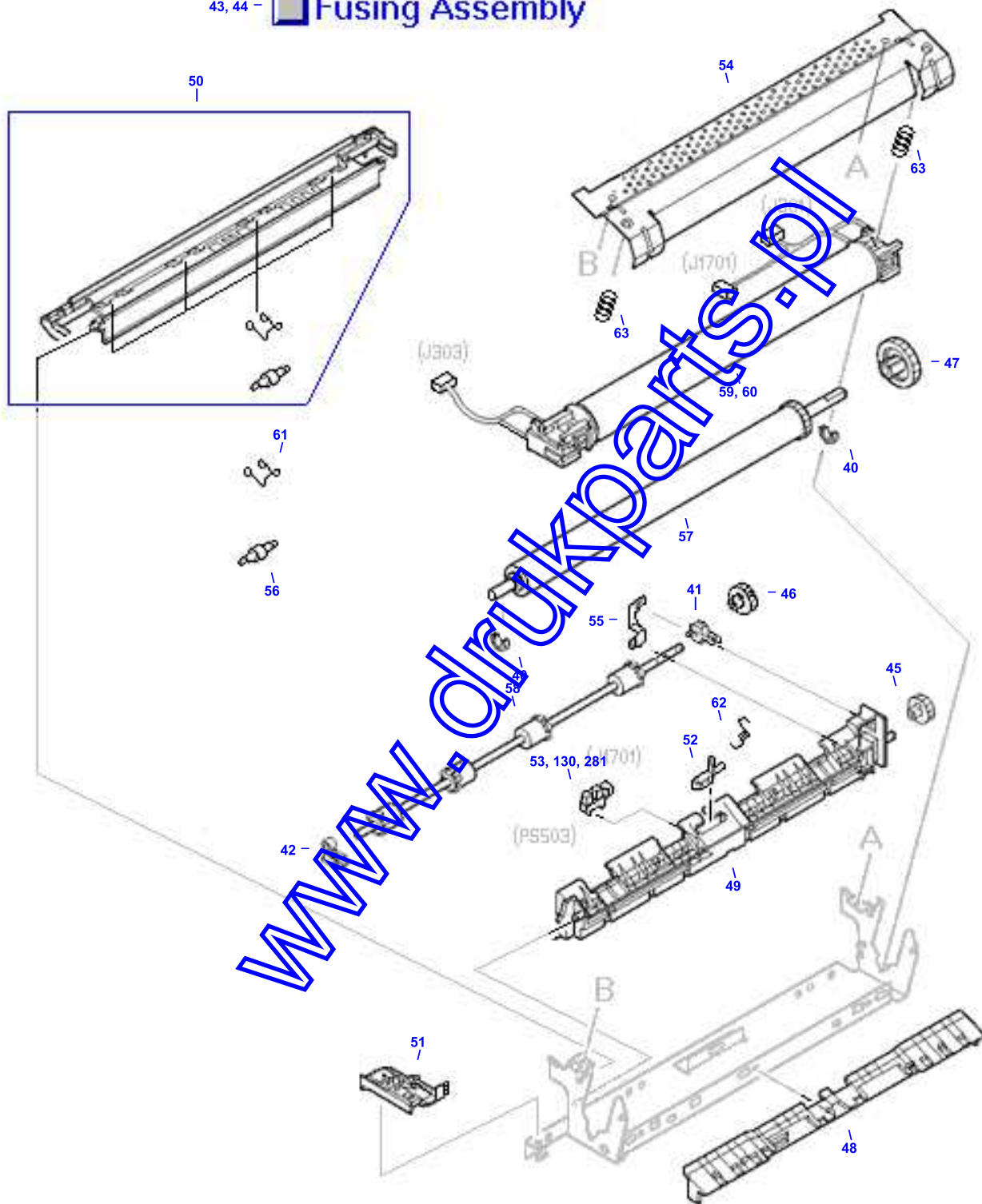
www.drukparts.pl

External Covers and Panels

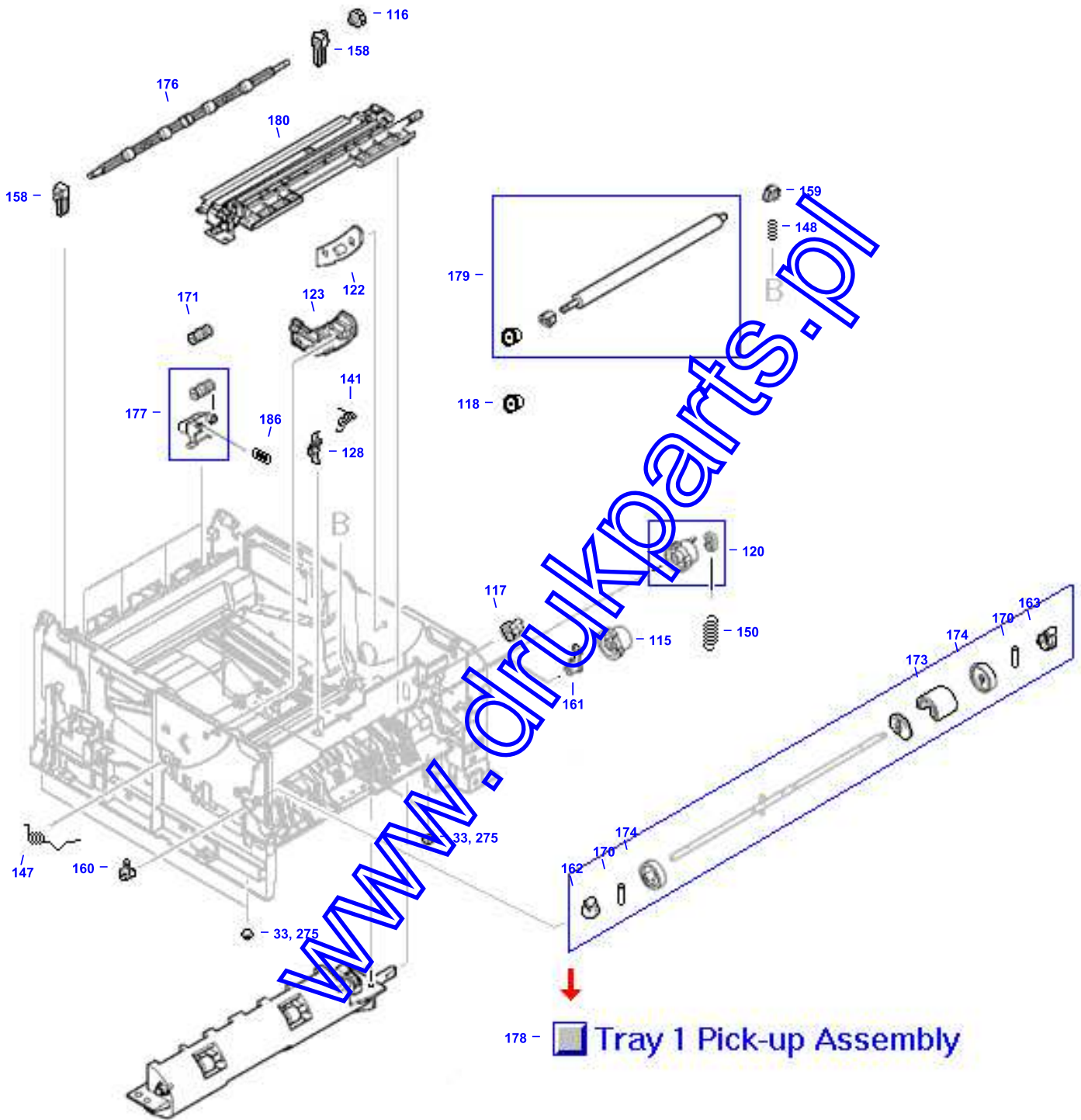


Fuser Assembly

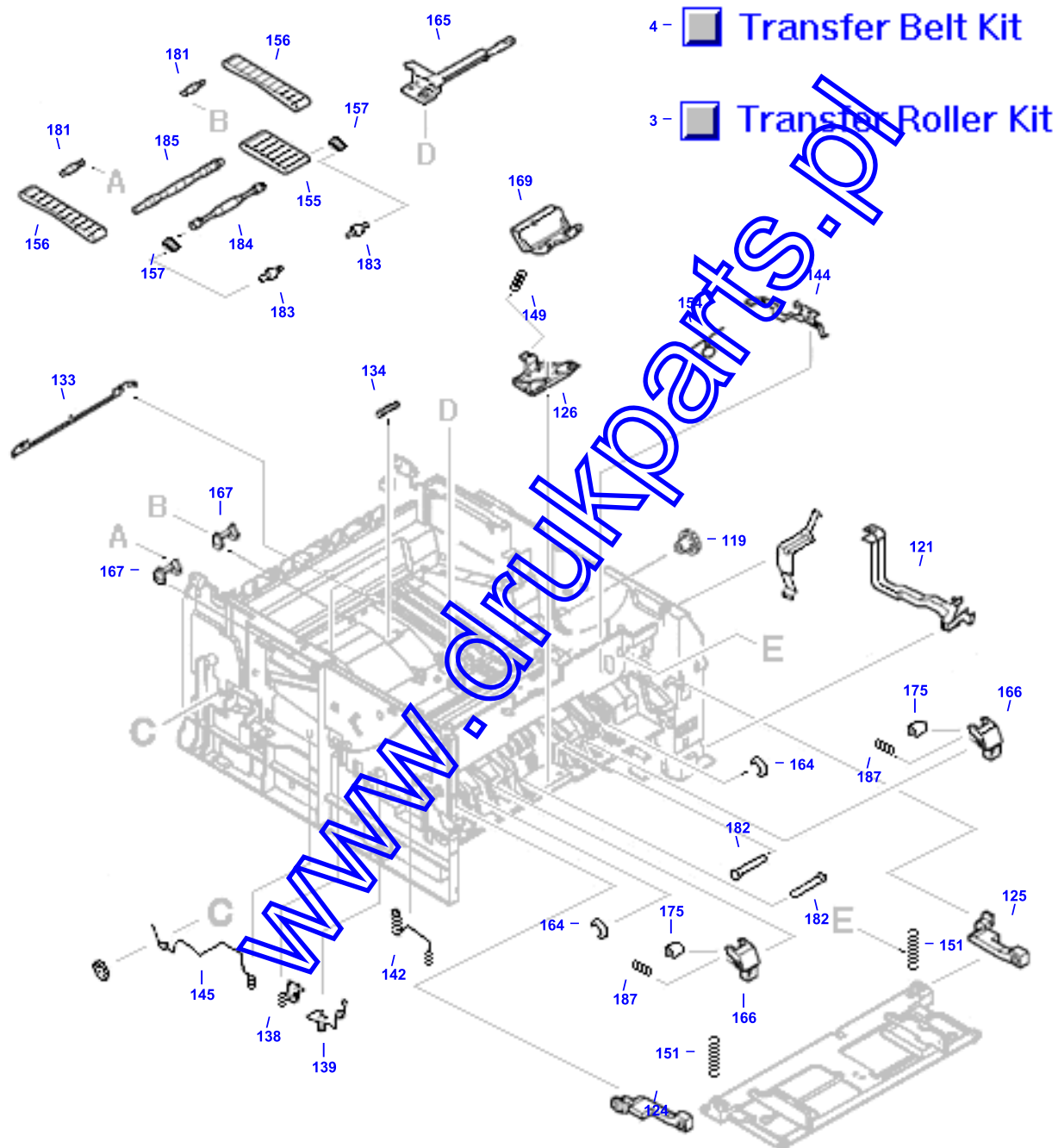
43, 44 -  Fusing Assembly



Internal Components (2 of 3)

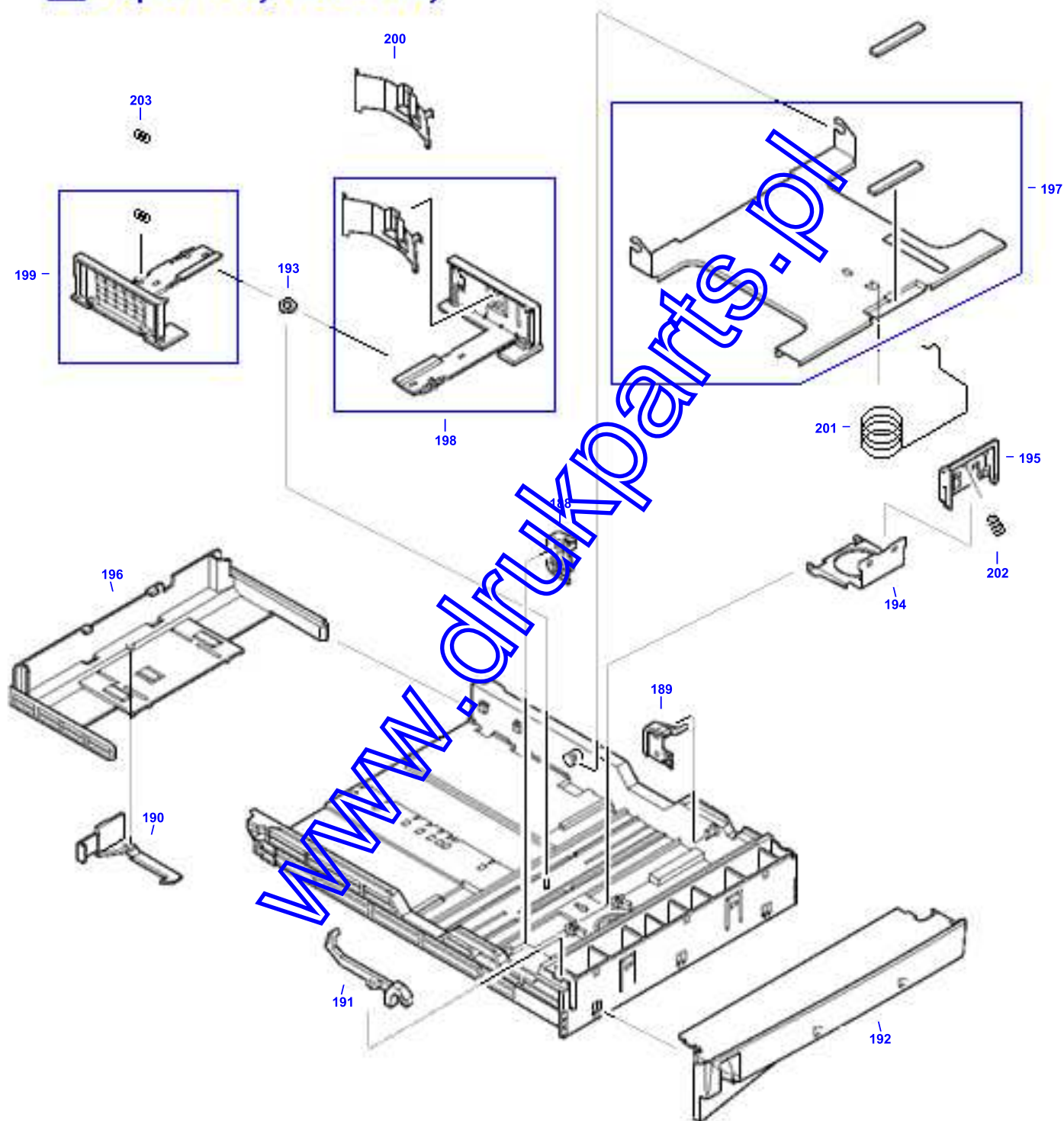


Internal Components (3 of 3)



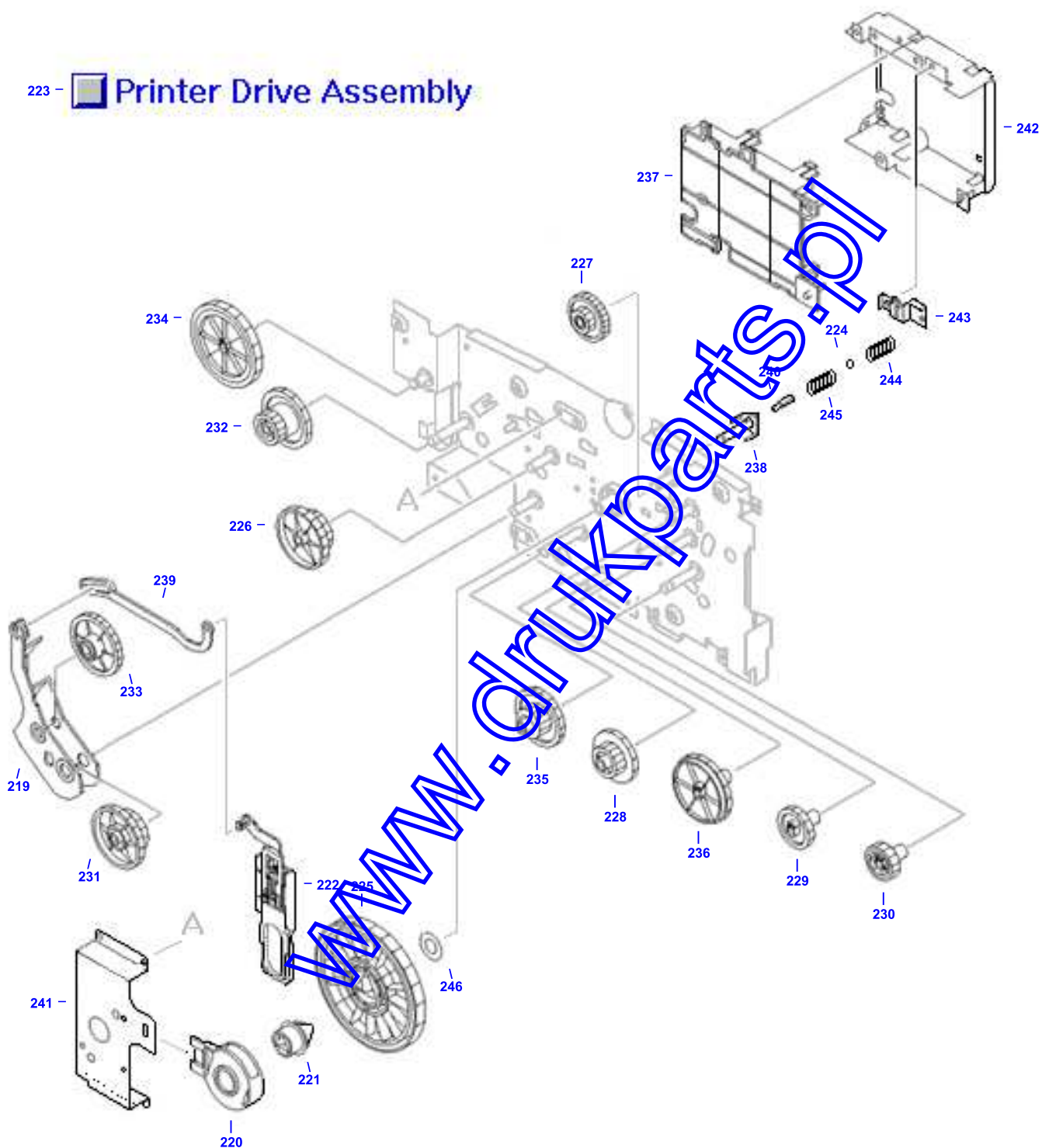
Paper Tray Assembly

204 -  Paper Tray Assembly



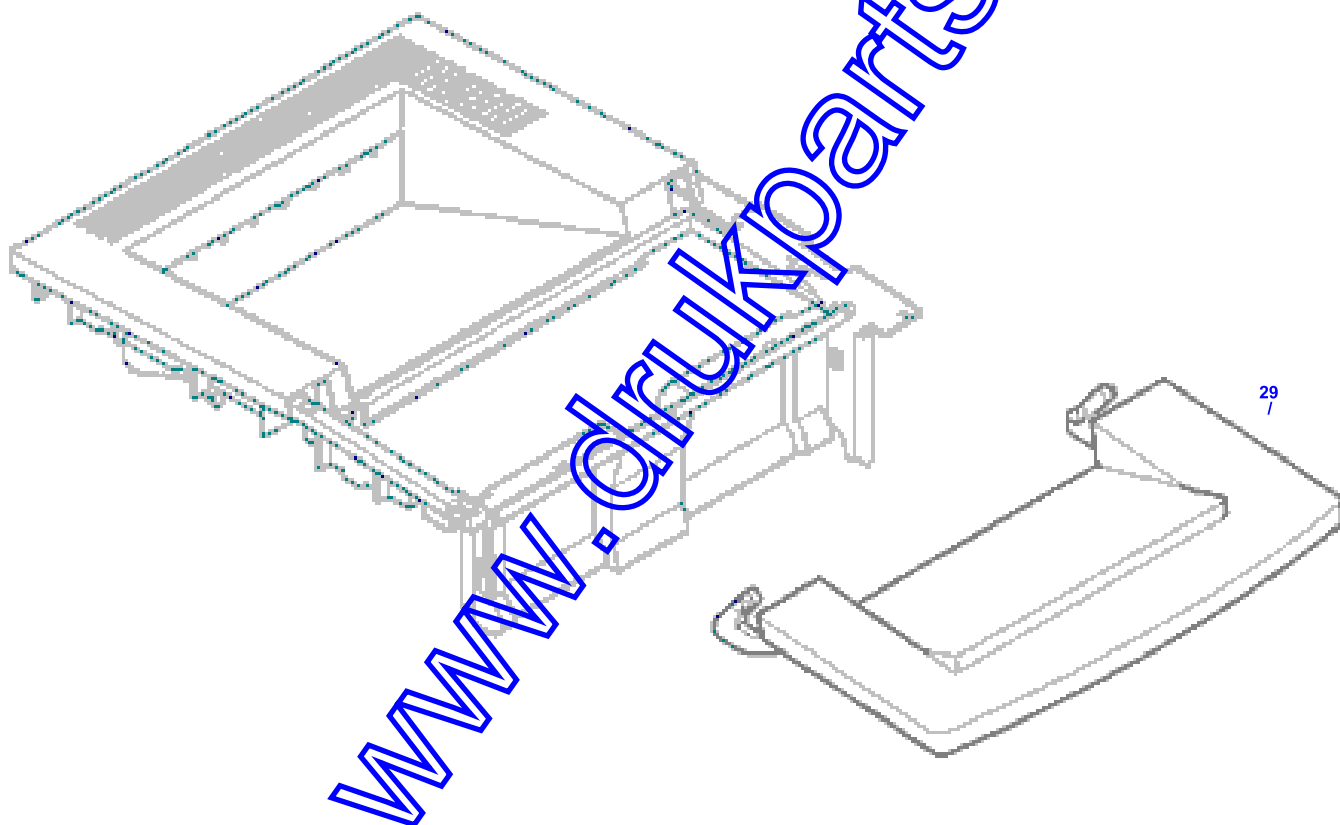
Printer Drive Assembly

223 -  Printer Drive Assembly



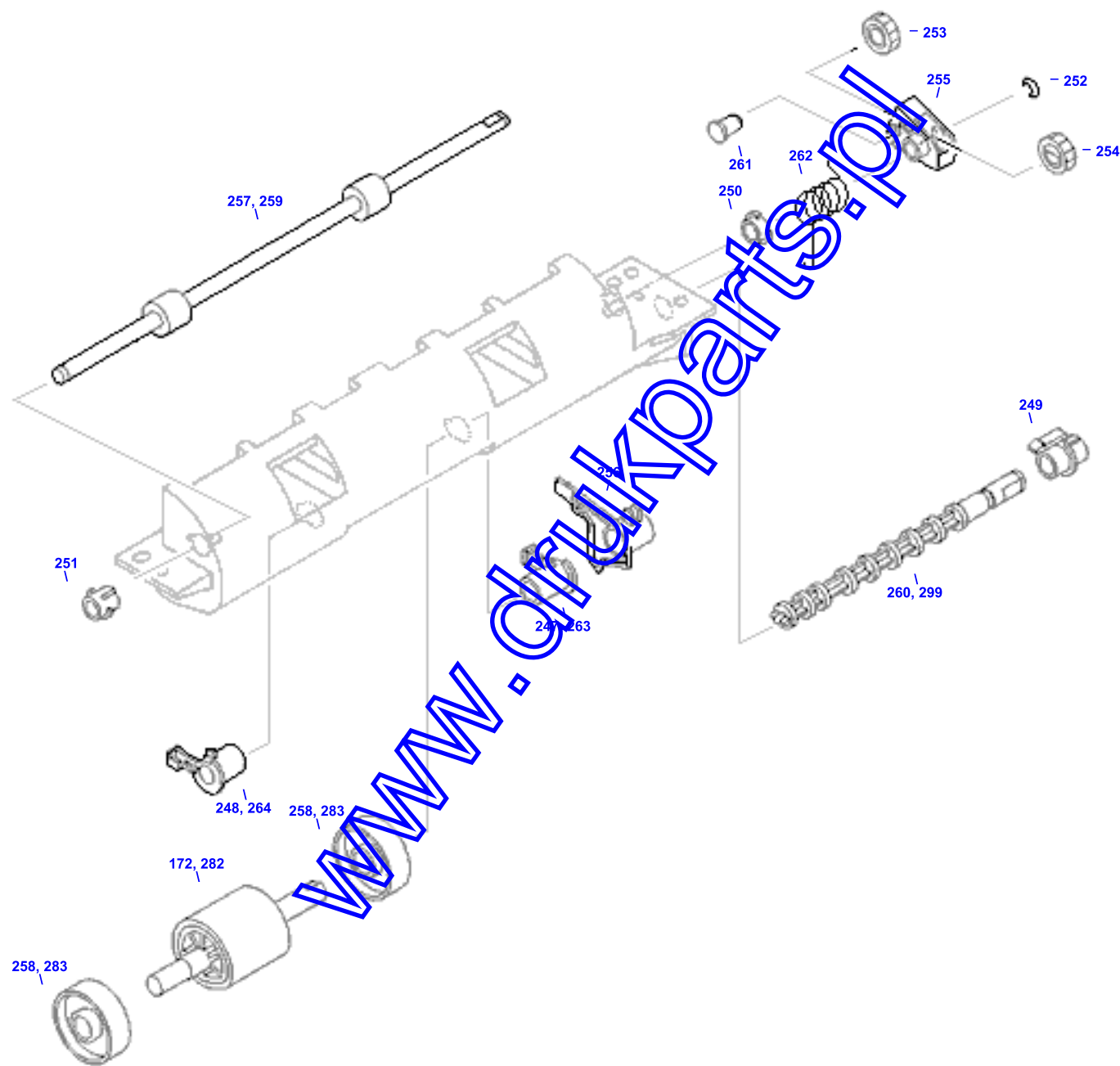
Top Cover Assembly

26 -  Top Cover Assembly



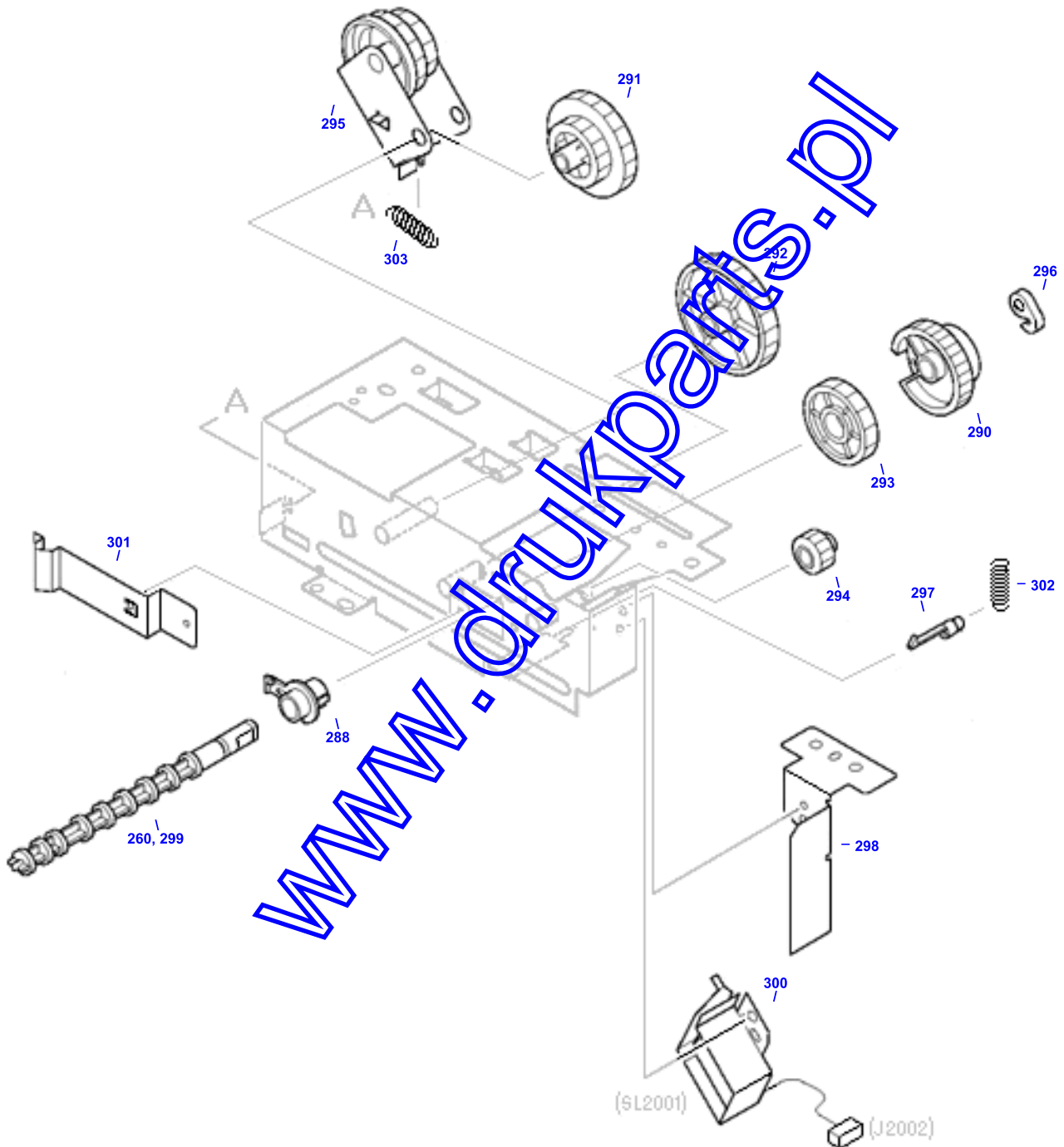
Tray 2 Pickup Assembly

257 -  Tray 2 Pick-up Assembly



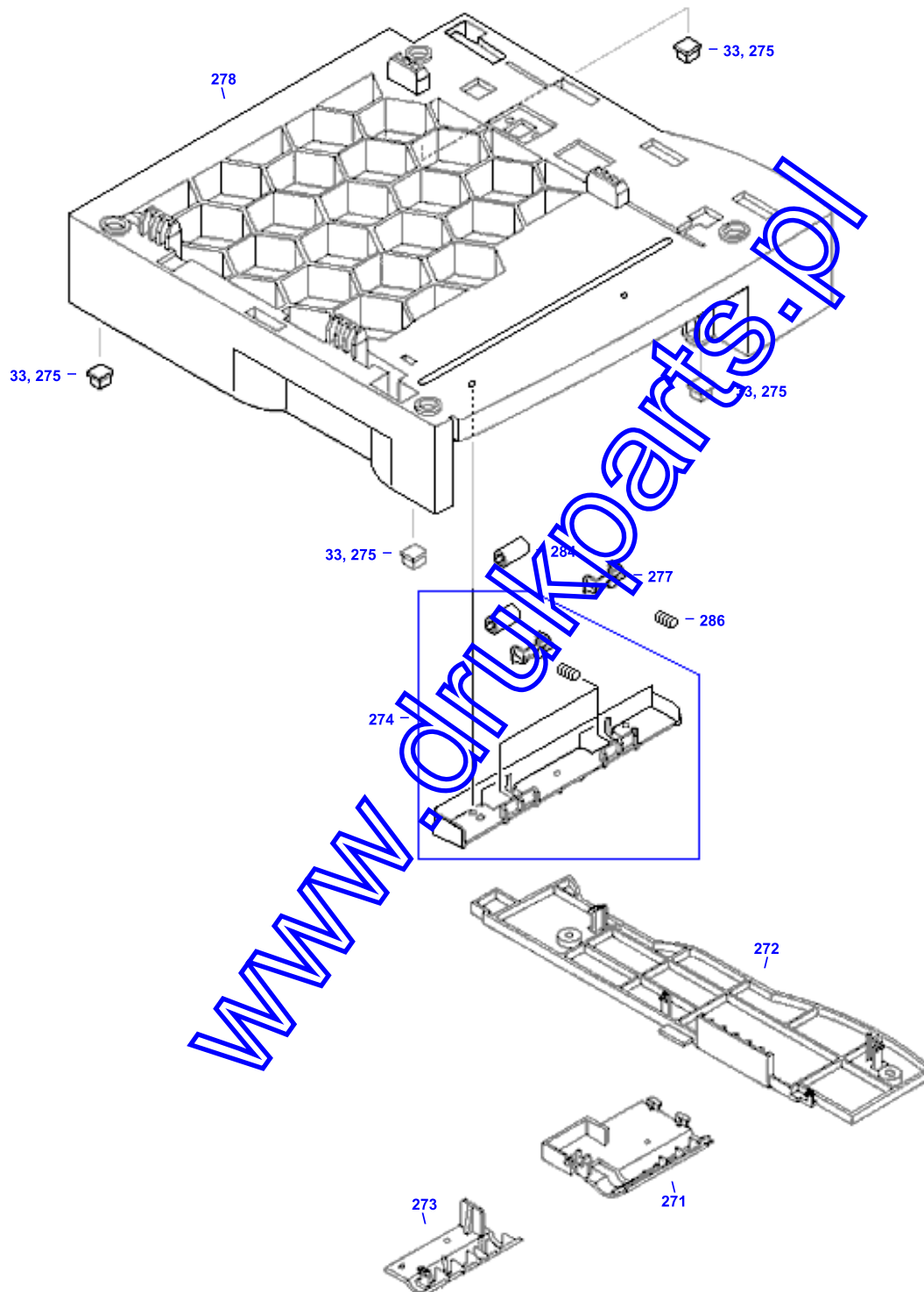
Tray 3 Paper Feeder Drive Assembly

289, 290 -  Tray 3 Paper Feeder Drive Assembly



Tray 3 Parts (1 of 2)

Tray 3 External Covers





HP Parts Reference Guide

<http://www.hp.com/go/parts>

HP PartSurfer

<http://partsurfer.hp.com>

HP Parts Ordering Information

<http://www.hp.com/go/hpparts>

HP Parts Questions/Comments

<http://partsurfer.hp.com/contactus.htm>

www.drukparts.pl
