



Electronic Accessories

Cable (Interface)

| | |
|-----------|--|
| 8120-8485 | Universal Serial Bus (USB) interface cable - Type 'A' connector to type 'B' connector, 1.8m (6.0 ft) long |
| 8121-0712 | Universal serial bus (USB) interface cable - Type 'A' connector to type 'B' connector - 0.6m (24-inches) long |
| C2950A | IEEE-1284 Bi-Tronics parallel cable - DB-25 (M) connector (type A) to 36 pin Centronics (M) connector (type B) - 2.0m (6.6ft) long |
| 5063-1256 | <i>New Part for C2950A</i> |
| C2951A | IEEE-1284 Bi-Tronics parallel cable - DB-25 (M) connector (type A) to 36 pin Centronics (M) connector (type B) - 3.0m (9.8ft) long |

Interface (Module)

| | |
|----------|--|
| J6042B | JetDirect 250m print server/Internet connector - Has one RJ-45 connector - Provides 10Base-T and 100Base-TX connection for printers with Low-end Input/Output (LIO) port |
| J6044A | JetDirect 280m print server/Internet connector - Provides IEEE-802.11b Wi-Fi wireless connection for printers with Low-end Input/Output (LIO) port |
| MPIPA330 | Bluetooth wireless print server - Allows wireless communication to a printer - Attached directly to the IEEE 1284B parallel port on the printer - Manufactured by MPI Tech and distributed by HP - For USA |

Interface (Product)

| | |
|--------|---|
| J6035B | HP JetDirect 175X external print server - Has on 4-pin USB connector and one RJ-45 LAN connector - Connects to the printer via the USB port and the network via the LAN port |
| J6038A | HP JetDirect 310X external print server - Fast Ethernet Internet connector for sharing network peripherals with USB ports, in a 10/100 TX LAN environment - Has one USB printer port and one RJ-45 10/100 Base-TX connector |
| J6039B | JetDirect 200m print server/Internet connector - Has one RJ-45 connector - Provides 10Base-T and 100Base-TX connection for printers with Low-end Input/Output (LIO) port |
| J6061A | JetDirect 380X external IEEE-802.11b (Wi-Fi) wireless print server - Connects to printer using Universal Serial Bus (USB) cable |
| J6062A | JetDirect WP110 IEEE 802.11b (Wi-Fi) wireless print server - Connects to printer using parallel printer port |

Memory (DIMM)

| | |
|-------------|--|
| C7842-67901 | 8MB, 100-pin SDRAM DIMM memory module |
| C7843-67901 | 16MB, 100-pin SDRAM DIMM memory module |
| C7845-67901 | 32MB, 100-pin SDRAM DIMM memory module |
| Q1887-67901 | 64MB, 100-pin SDRAM DIMM memory module |

Memory (Product)

| | |
|--------|--|
| C7842A | 8MB, 100-pin SDRAM DIMM memory module |
| C7843A | 16MB, 100-pin SDRAM DIMM memory module |
| C7845A | 32MB, 100-pin SDRAM DIMM memory module |
| Q1887A | 64MB, 100-pin synchronous SDRAM DIMM memory module |

Module (Product)

| | |
|--------|--|
| C6502A | HP IEEE 1284 parallel printer port module - Plugs into the LIO module slot - Comes standard with the LaserJet 1300 series printers |
|--------|--|

Tray

| | |
|--------|--|
| Q2485A | Optional lower paper tray assembly - Provides additional 250 sheet input paper tray to the printer |
|--------|--|

Electronics/Power Cords

Cable

| | | |
|----|----------------|---|
| 23 | RK2-0029-000CN | Flex cable - Has two 14 pin (M) edge connectors - Connects between the laser/scanner assembly and the formatter PC board |
| 24 | RM1-0563-000CN | Scanner motor cable assembly - 4 pin (F) connector to 4-pin (F) connector - Connects between the laser/scanner assembly and the formatter board |



Electronics/Power Cords

Connector

- 25 RM1-0529-000CN Connector and holder assembly - To interconnect the optional lower paper tray to the printer - Mounts on the left side frame assembly

Contact

- 26 RM1-0542-000CN E-label contact and holder assembly - Contacts the non-volatile memory in the toner cartridge - Mounts on the bottom of the laser/scanner support shelf

Control Panel

- 27 RM1-0549-000CN Control panel assembly - Includes the 'Go' button and LED, 'Ready' LED, and 'Attention' LED mounted on the left front cover support - Mounts on the upper left corner of the left side plate

Fan/Airflow Guide

- 28 RM1-0547-000CN Fan and airflow guide assembly - Mounts to the upper front on the right side plate assembly

Laser/Scanner

- 29 RM1-0524-000CN Laser/scanner assembly - Mounts on top of the print structure frame

Module (Product)

- C6502A HP IEEE 1284 parallel printer port module - Plugs into the LIO module slot - Comes standard with the LaserJet 1300 series printers

Motor

- 31 RK2-0062-000CN DC stepper motor assembly - Drives all rollers and fusing assembly via the gear train on the right side - Mounts on the inside rear of the right side plate assembly

PC Board

- 32 Q1890-60001 Formatter PC board assembly - Mounts to the left side frame assembly
- 33 RM1-0564-000CN Engine control PC board - Control and power supply board for the printer (For 110V to 127V operation) - Includes the power cord connector and power switch - Mounts in the bottom of the printer
- 34 RM1-0565-000CN Engine control PC board - Control and power supply board for the printer (For 220V to 240V operation) - Includes the power cord connector and power switch - Mounts in the bottom of the printer

Power Cord

- 8120-6800 Power cord (Flint Gray) - 16 AWG, 2.3m (7.5ft) long - Has straight (F) receptacle (For 240V in Israel)
- 8120-6809 Power cord (Dove Gray) - 2.3m (7.5ft) long - Has straight (F) receptacle (For 240V operation in the United Kingdom, Hong Kong, Singapore, Malaysia)
- 8120-6811 Power cord (Flint Gray) - 17 AWG, 2.3m (7.5ft) long - Has straight (F) receptacle (For 220V in Europe, Saudi Arabia, South Africa, India, and Korea)
- 8120-6812 Power cord (Flint Gray) - 18 AWG, 2.3m (7.5ft) long - Has straight (F) receptacle (For 120V in the USA, Canada, Mexico, Philippines, and Taiwan)
- 8120-6813 Power cord (Flint Gray) - 17 AWG, 2.3m (7.5ft) long - Has straight (F) receptacle (For 220V in South Africa, Saudi Arabia, and India)
- 8120-6814 Power cord (Flint Gray) - 17 AWG, 2.3m (7.5ft) long - Has straight (F) receptacle (For 220V in Denmark)
- 8120-6815 Power cord (Flint Gray) - 17 AWG, 2.3m (7.5ft) long - Has straight (F) receptacle (For 220V in Switzerland)

Sensor

- 42 RM1-0572-000CN Paper sensor PC board - Small board with optical flag sensor (Flag not included) - For sensing leading edge of paper - Mounts in the bottom right of the paper pick-up assembly
- 43 RM1-0574-000CN Paper sensor PC board - Small board with optical flag sensor (Flag not included) - For sensing 'out of paper' in the paper tray - Mounts in the bottom left of the paper pick-up assembly

Solenoid

- 44 RH7-5315-000CN 24VDC Solenoid - Engages the pick-up roller gear/clutch assembly - Mounts on the right side plate assembly

Spring

- 45 RA0-1026-000CN Torsion spring - Provides grounding connection to the toner cartridge (Photo sensitive drum) - Mounts on the inside of the right side plate assembly
- 46 RA0-1035-000CN Torsion spring - Provides high voltage connection to the toner cartridge (developing cylinder) - Mounts on the left front side of the paper feed guide assembly



Electronics/Power Cords

Spring

- 47 RA0-1200-000CN Torsion spring - Provides high voltage connection to the toner cartridge (primary charging roller) - Mounts on the left rear side of the paper feed guide assembly
- 48 RC1-1792-000CN Torsion spring - Functions as an electrical connection between the engine control board and the transfer roller contact spring - Mounts in the lower right corner of the paper pick-up assembly

External Case Parts

Cover

- 49 RC1-1821-000CN Front cover - Lower front of printer - With opening for inserting the paper input tray assembly
- 50 RC1-1822-000CN Right side cover assembly - Has molded-in air intake louvers
- 51 RC1-1823-000CN Left side printer cover - Covers the USB and LIO port connectors (On the formatter board)
- 52 RM1-0544-000CN Rear cover assembly - Includes rear cover and fold down face-up (or straight through) paper output tray (Tray is NOT sold separately)
- 53 RM1-0552-000CN Top cover assembly - Has face-down paper output tray molded into it - Mounts to top of printer

Door

- 54 RM1-0543-000CN Toner cartridge door - Fold down door used when accessing the toner cartridge - Mounts to the top of the front cover

Foot

- 55 RA0-1003-000CN Rubber foot - Used for the rear feet on the bottom of printer - Mounts on the front bottom frame of the paper pick-up assembly (two used)

Link

- 56 RA0-1023-000CN Connecting link - Connects between the sliding linkage on the left and right side plates and the toner cartridge access door (2 used)

Pan

- 57 RC1-1813-000CN Support pan (case) for the engine controller PC board - Metal pan which also acts as part of the bottom of the printer

Screw

- 58 RY7-5082-000CN Screw kit - Includes nine bags of different size screws - This is a complete set of screws for the LaserJet 1300 series printer

Fusing Assembly Parts

Delivery

- 59 RM1-0556-020CN Face-down delivery assembly - Includes the support frame, drive roller and gear, and the four spring loaded pressure rollers - Mounts in the upper rear of the fusing assembly

Fusing Assembly

- 60 RM1-0560-000CN Fusing assembly - Bonds toner to paper with heat (For 100V to 120V operation) - Mounts in the upper rear of the printer
- 61 RM1-0561-000CN Fusing assembly - Bonds toner to paper with heat (For 220V to 240V operation) - Mounts in the upper rear of the printer

Gear

- 62 RA0-1088-000CN 29 tooth gear - Mounts on the end of the pressure roller - Largest of the three gears on the fusing assembly

Spring

- 63 RA0-1090-000CN Tension spring - Provides upward tension for the green release lever (2 used) - Mounts in the left and right rear corners of the fusing assembly
- 64 RA0-1099-000CN Torsion spring - Provides a small amount of back pressure for the delivery sensor flag - mounts in the rear center of the fusing assembly
- 65 RA0-1115-000CN Torsion spring - Provides pressure for the lower solid rollers on the face-down paper delivery assembly (2 used)
- 66 RA0-1116-000CN Torsion spring - Provides pressure for the upper serrated rollers on the face-down paper delivery assembly (2 used)
- 67 RU5-2140-000CN Compression spring - Provides downward pressure on each end of the fusing roller (2 used) - Mounts in the upper part of the fusing assembly



Other Accessories

Cartridge

- Q2613-67901 Ultra-precise black toner cartridge (economy) - Will print approximately 2,500 pages based on a 5% print density
- Q2613A Ultra-precise black toner cartridge (economy) - Will print approximately 2,500 pages based on a 5% print density
- Q2613X Ultra-precise black toner cartridge (high capacity) - Will print approximately 4,000 pages based on a 5% print density

Cleaning Supplies

- 5090-3379 Toner cleaning cloth - Specially treated cloth for absorbing toner (1 per package) - Ideal for cleaning up toner spills

Film (Transparency)

- 92296T LaserJet printer transparency film - A size (8.5 x 11-inches) - 50 sheets per box
- 92296U LaserJet printer transparency film - A4 size (21.0cm x 29.7cm) - 50 sheets per box

Manual

- 5851-1468 LaserJet printer family paper specification guide
- Q1334-90928 HP LaserJet 1300 and LaserJet 1150 service manual

Other Internal Parts

Bracket

- 76 RA0-1185-000CN Left side fuser bracket ('L' Shaped) - Provides mounting support for the fusing assembly - Mounts to the upper rear corner of the left side plate
- 77 RA0-1186-000CN Right side fuser bracket ('L' Shaped) - Provides mounting support for the fusing assembly - Mounts to the upper rear corner of the right side plate

Fan/Airflow Guide

- 78 RM1-0547-000CN Fan and airflow guide assembly - Mounts to the upper front on the right side plate assembly

Gear

- 79 RA0-1176-000CN 69 tooth gear - Large gear with ribs and six small holes - Mounts on a rod in the upper rear corner of the right side plate
- 80 RC1-1755-000CN 41 tooth gear - Used to drive the optional lower paper tray - Mounts toward the bottom of the right side plate

Gear Assembly

- 81 RC1-1752-000CN 87 tooth / 23 tooth dual gear assembly - (Reduction gear) Drives the optional lower paper tray gear and the paper feed roller gear - Mounts on the right side plate assembly

Guide

- 82 RM1-0546-000CN Front guide assembly - Ribbed plastic piece that runs the width of the printer - Mounts to the front of the left and right side plates

Motor

- 83 RK2-0062-000CN DC stepper motor assembly - Drives all rollers and fusing assembly via the gear train on the right side - Mounts on the inside rear of the right side plate assembly

Plate

- 84 RM1-0527-000CN Right side plate assembly - Includes the right side plate, drive motor, most all drive gears, and cam levers - Does not come with the pick-up roller solenoid or 69 tooth gear - Right side of the internal printer mechanism
- 85 RM1-0528-000CN Left plate assembly - Left side of internal printer mechanism - Plate that the formatter PC board mounts to

Shield

- 86 Q1334-00001 RFI shield - Metal plate that covers the formatter PC board

Spring

- 87 RA0-1006-000CN Tension spring - Provides tension for the floating gear holder (drive gear for the fusing assembly) - Mounts on the right side plate assembly
- 88 RA0-1012-000CN Compression Spring - Grounds the pin in the toner cartridge drive gear - Mounts on the right side plate assembly
- 89 RA0-1026-000CN Torsion spring - Provides grounding connection to the toner cartridge (Photo sensitive drum) - Mounts on the inside of the right side plate assembly
- 90 RA0-1035-000CN Torsion spring - Provides high voltage connection to the toner cartridge (developing cylinder) - Mounts on the left front side of the paper feed guide assembly
- 91 RA0-1200-000CN Torsion spring - Provides high voltage connection to the toner cartridge (primary charging roller) - Mounts on the left rear side of the paper feed guide assembly



Other Internal Parts

Spring

- 92 RA0-1212-000CN Tension spring - Provides tension for the linkage which engages the toner cartridge drive gear - Mounts on the right side plate
- 93 RC1-1765-000CN Torsion spring - Mounts under the toner cartridge retainer arm on the rear of the left side plate
- 94 RU5-2143-000CN Tension Spring - Provides upward pressure on the linkage to swing the e-label contact assembly back when the toner cartridge access door is open

Paper Path Parts

Delivery

- 95 RM1-0556-020CN Face-down delivery assembly - Includes the support frame, drive roller and gear and the four spring loaded pressure rollers - Mounts in the upper rear of the fusing assembly

Guide

- 96 RM1-0546-000CN Front guide assembly - Ribbed plastic piece that runs the width of the printer - Mounts to the front of the left and right side plates

Paper Feeder

- 97 RM1-0530-000CN Paper feed guide assembly - Support structure for the transfer roller - Black plastic frame with metal guide plates and the left high voltage contact springs for the toner cartridge - Mounts behind the paper pick-up assembly (below the toner cartridge)

Paper Pick-Up

- 98 RM1-0531-000CN Paper pick-up assembly - Includes the pick-up roller, paper feed roller assembly, separation pad, plastic housing and other associated parts - Mounts in the bottom of the printer

Roller

- 99 RL1-0303-000CN Paper Pickup Roller ('D' shaped roller) - Picks up media from the paper input tray - Clips in the holder on the paper pickup shaft
- 100 RM1-0550-000CN Transfer roller assembly - Transfers static charge to the media being printed on - Mounts in the top of the paper feed guide assembly

Paper Pick-Up Assy Parts

Foot

- 101 RA0-1003-000CN Rubber foot - Used for the rear feet on the bottom of printer - Mounts on the front bottom frame of the paper pick-up assembly (two used)

Gear Assembly

- 102 RM1-0551-000CN Gear/clutch assembly (Solenoid activated) - Includes the two gear bodies and internal spring - Drives the pickup roller in the paper pickup assembly

Holder

- 103 RG0-1019-000CN Roller and holder assembly - Spring loaded roller in a black plastic holder assembly - Rolls against the paper feed rollers (2 used) - Mounts on top of the paper pick-up assembly

Lift Plate

- 104 RM1-0532-000CN Lift plate assembly - Quartz Gray plastic plate with two Blue paper width adjusters - Mounts on the top front of the paper pick-up assembly

Pad

- 105 RF0-1014-000CN Separation pad assembly - Mounts on a spring loaded arm in the paper pick-up assembly

Paper Pick-Up

- 106 RM1-0531-000CN Paper pick-up assembly - Includes the pick-up roller, paper feed roller assembly, separation pad, plastic housing and other associated parts - Mounts in the bottom of the printer

Roller

- 107 RL1-0303-000CN Paper Pickup Roller ('D' shaped roller) - Picks up media from the paper input tray - Clips in the holder on the paper pickup shaft

Sensor

- 108 RM1-0572-000CN Paper sensor PC board - Small board with optical flag sensor (Flag not included) - For sensing leading edge of paper - Mounts in the bottom right of the paper pick-up assembly



Paper Pick-Up Assy Parts

Sensor

- 109 RM1-0574-000CN Paper sensor PC board - Small board with optical flag sensor (Flag not included) - For sensing 'out of paper' in the paper tray - Mounts in the bottom left of the paper pick-up assembly

Shaft

- 110 RM1-0533-000CN Paper pick-up shaft assembly - Includes the shaft, the two cams, pick-up roller holder, and end cap - Mounts in the paper pick-up assembly

Spring

- 111 RA0-1050-000CN Compression spring - Clutch spring - Engages the center gear in the paper feed roller gear/clutch assembly - Mounts on the right side of the paper pick-up assembly
- 112 RA0-1060-000CN Compression spring - Provides upward pressure for the separation pad assembly - Mounts in the paper pick-up assembly
- 113 RA0-1061-000CN Compression Spring - Provides upward pressure for the rear of the lift plate assembly (2 Used) - Mounts on top of the paper pick-up assembly
- 114 RC1-1782-000CN Torsion spring - Provides a small amount of back pressure for the paper pick-up sensor flag - mounts in the bottom rear of the paper pick-up assembly
- 115 RC1-1792-000CN Torsion spring - Functions as an electrical connection between the engine control board and the transfer roller contact spring - Mounts in the lower right corner of the paper pick-up assembly

Paper Tray Parts

Cover

- 116 RM1-0544-000CN Rear cover assembly - Includes rear cover and fold down fast-up (or straight through) paper output tray (Tray is NOT sold separately)
- 117 RM1-0554-000CN Paper tray cover assembly - Includes translucent blue plastic cover with blue plastic width adjustment guides for 'priority' paper input - Covers the LaserJet paper input tray

Tray

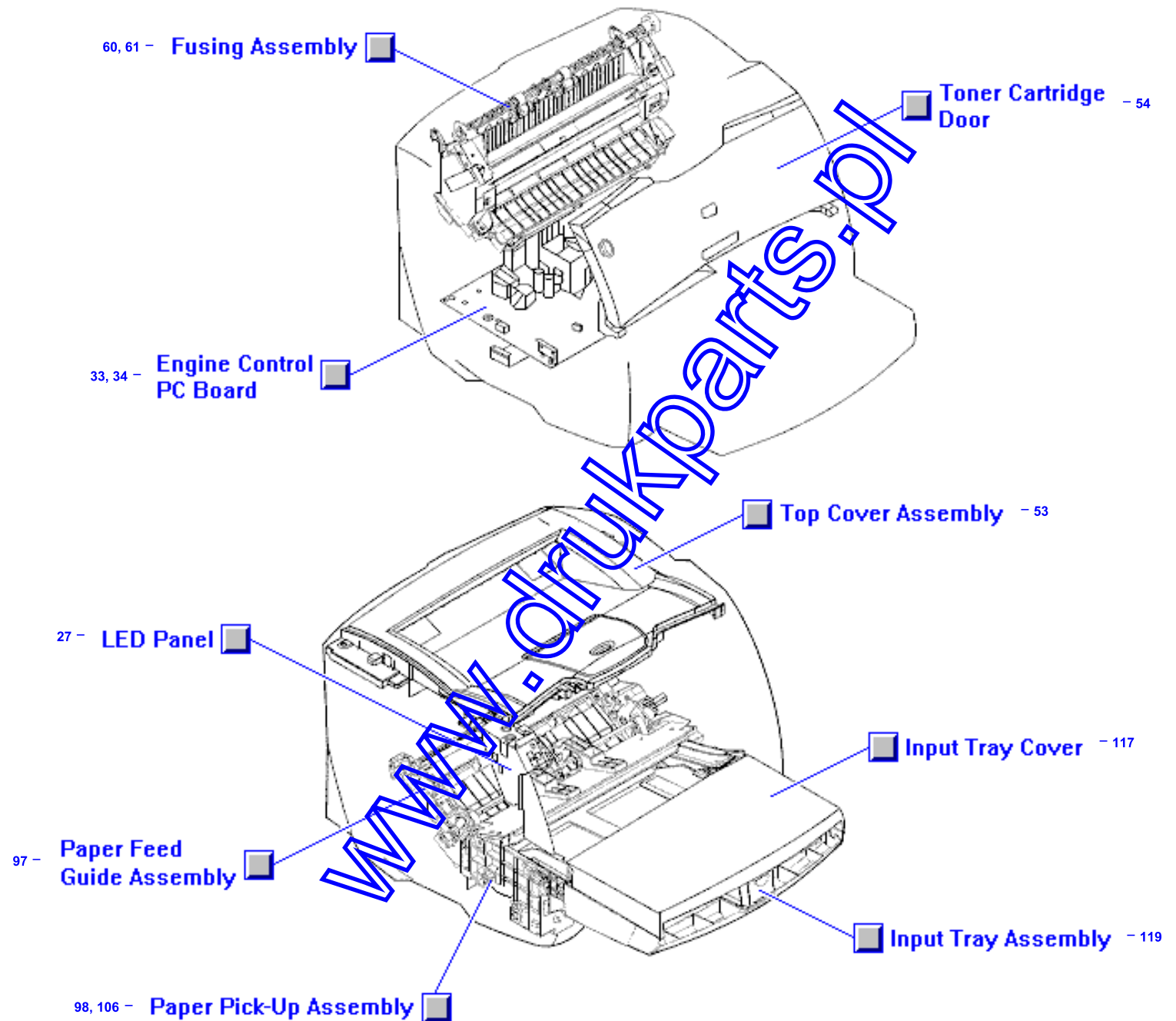
- Q2485A Optional lower paper tray assembly - Provides additional 250 sheet input paper tray to the printer

Tray Assembly

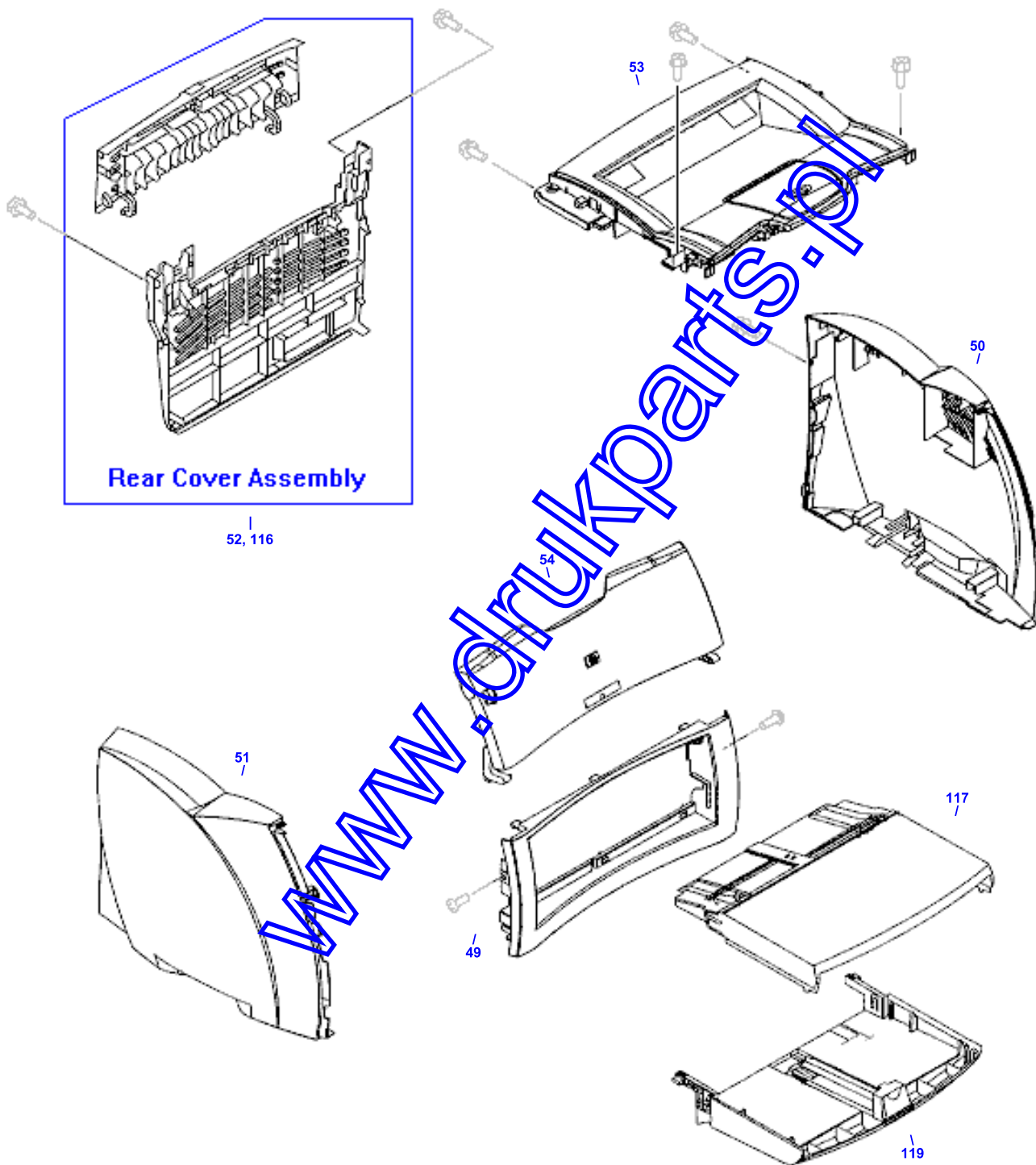
- 119 RM1-0553-000CN Printer input paper tray assembly - Includes bottom tray, paper length adjustment lever, and extension arm

www.drukparts.nl

Major Assembly Locator

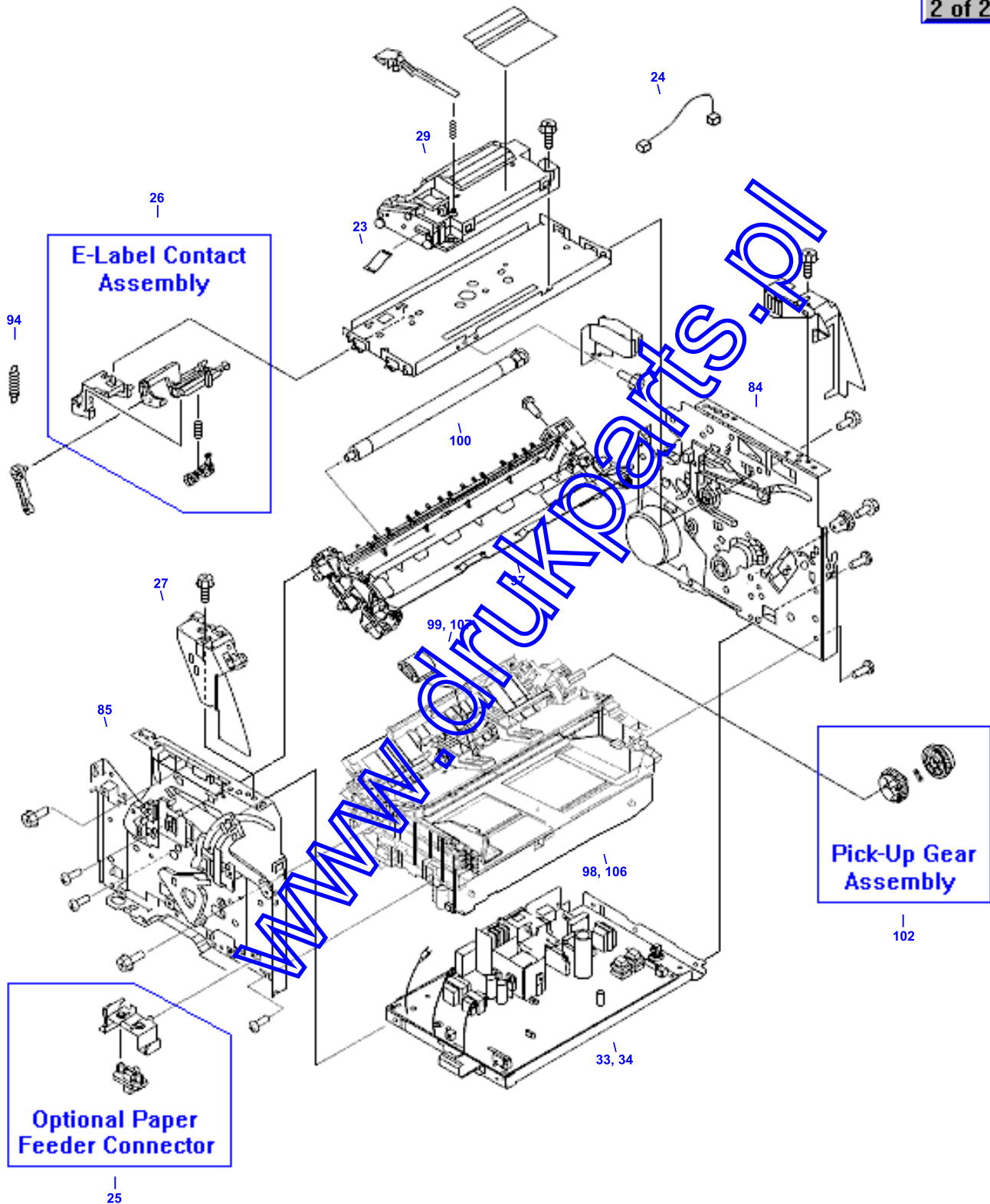


External Covers



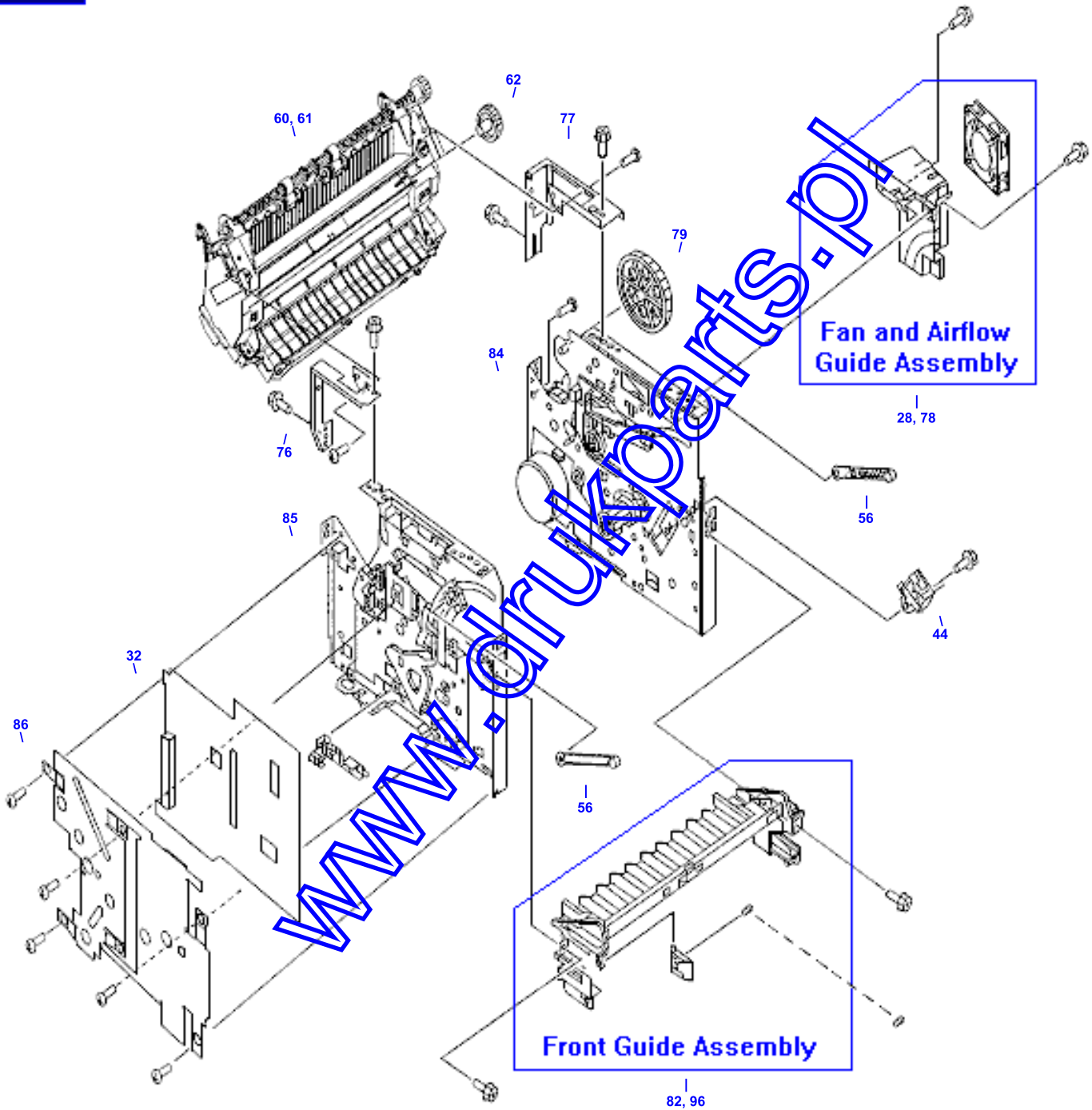
Internal Components (1 of 2)

2 of 2 →



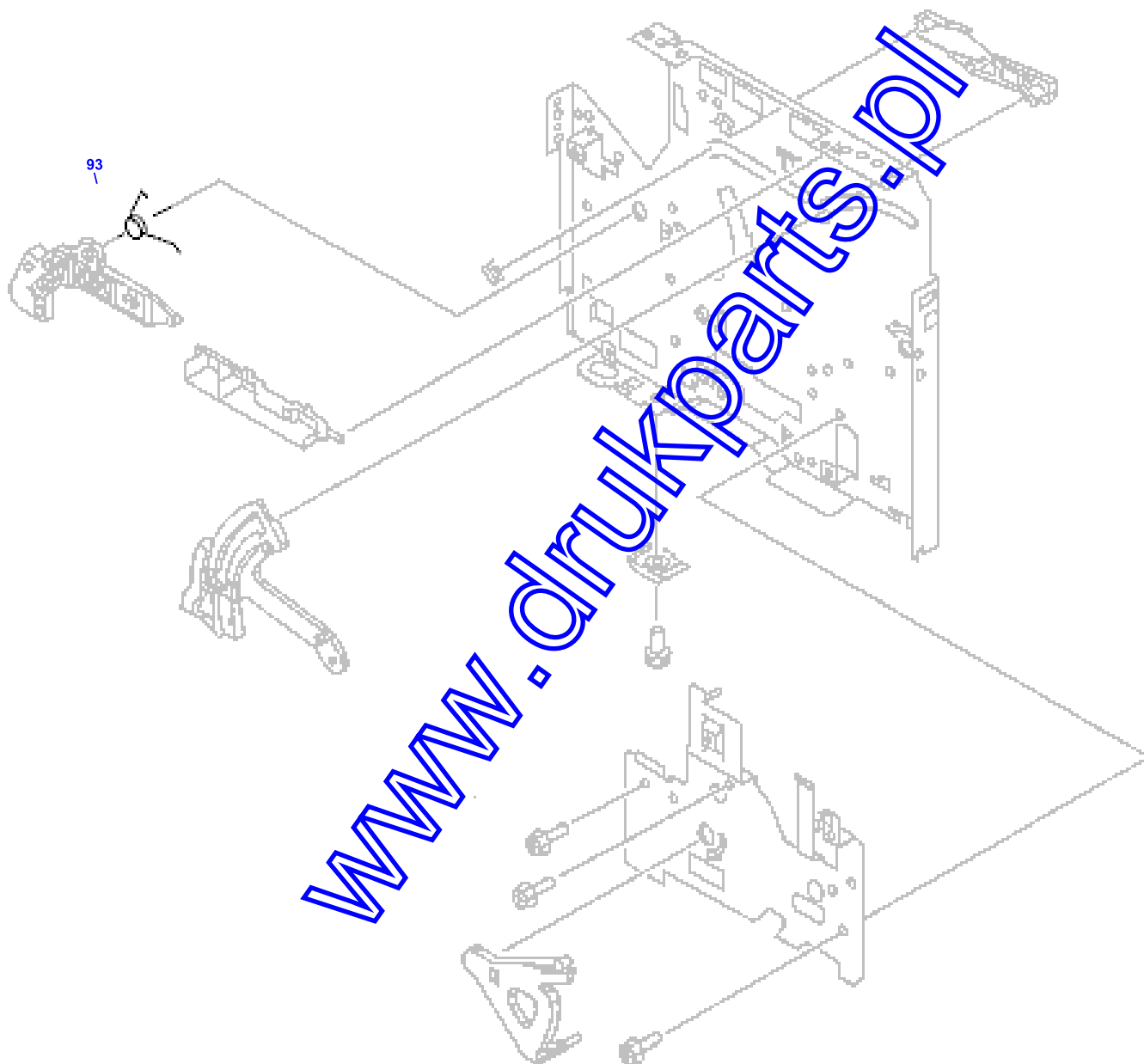
Internal Components (2 of 2)

← 1 of 2



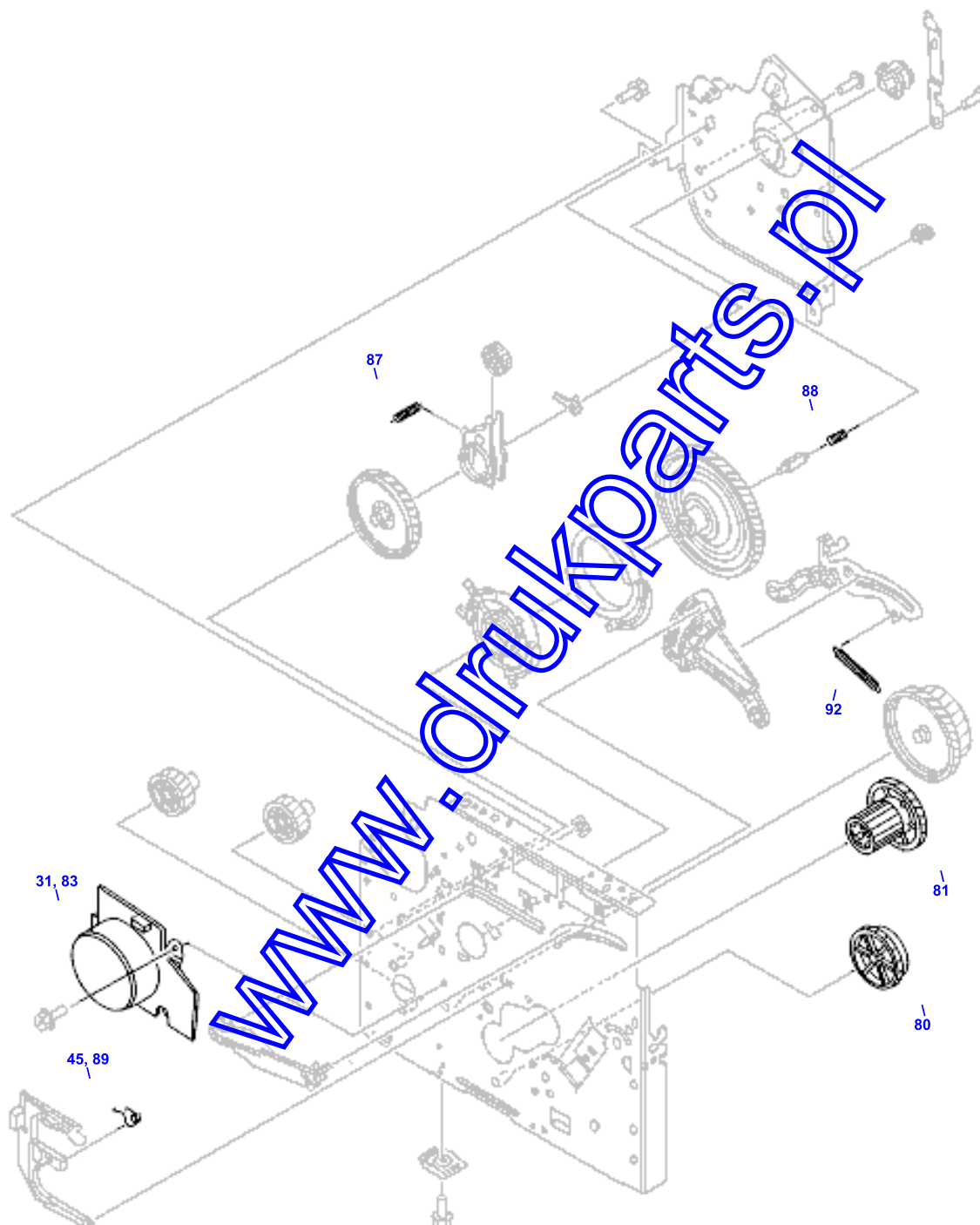
Left Side Plate Assembly

 Left Side Plate Assembly - 85

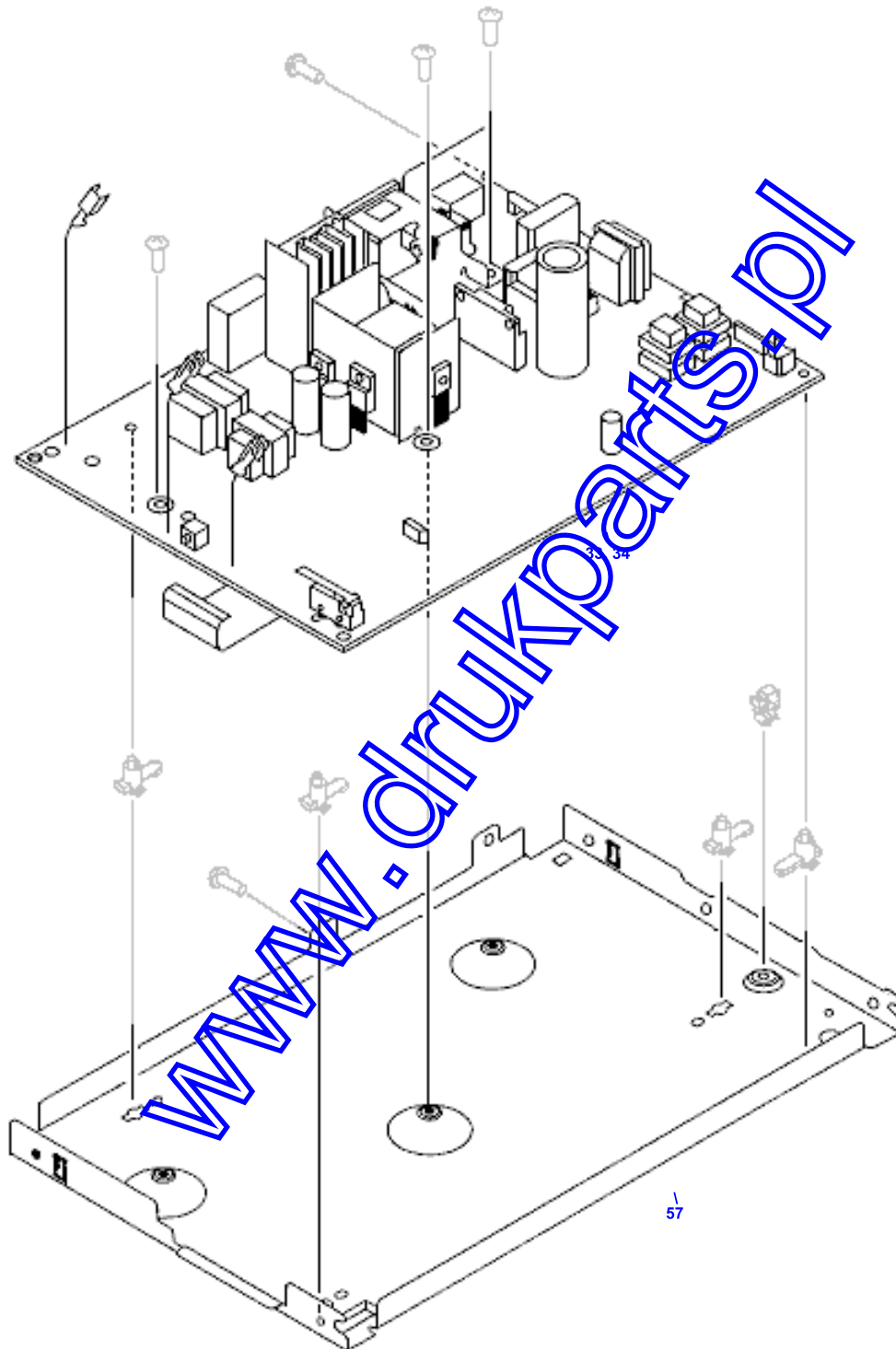


Right Side Plate Assembly

 Right Side Plate Assembly - 84

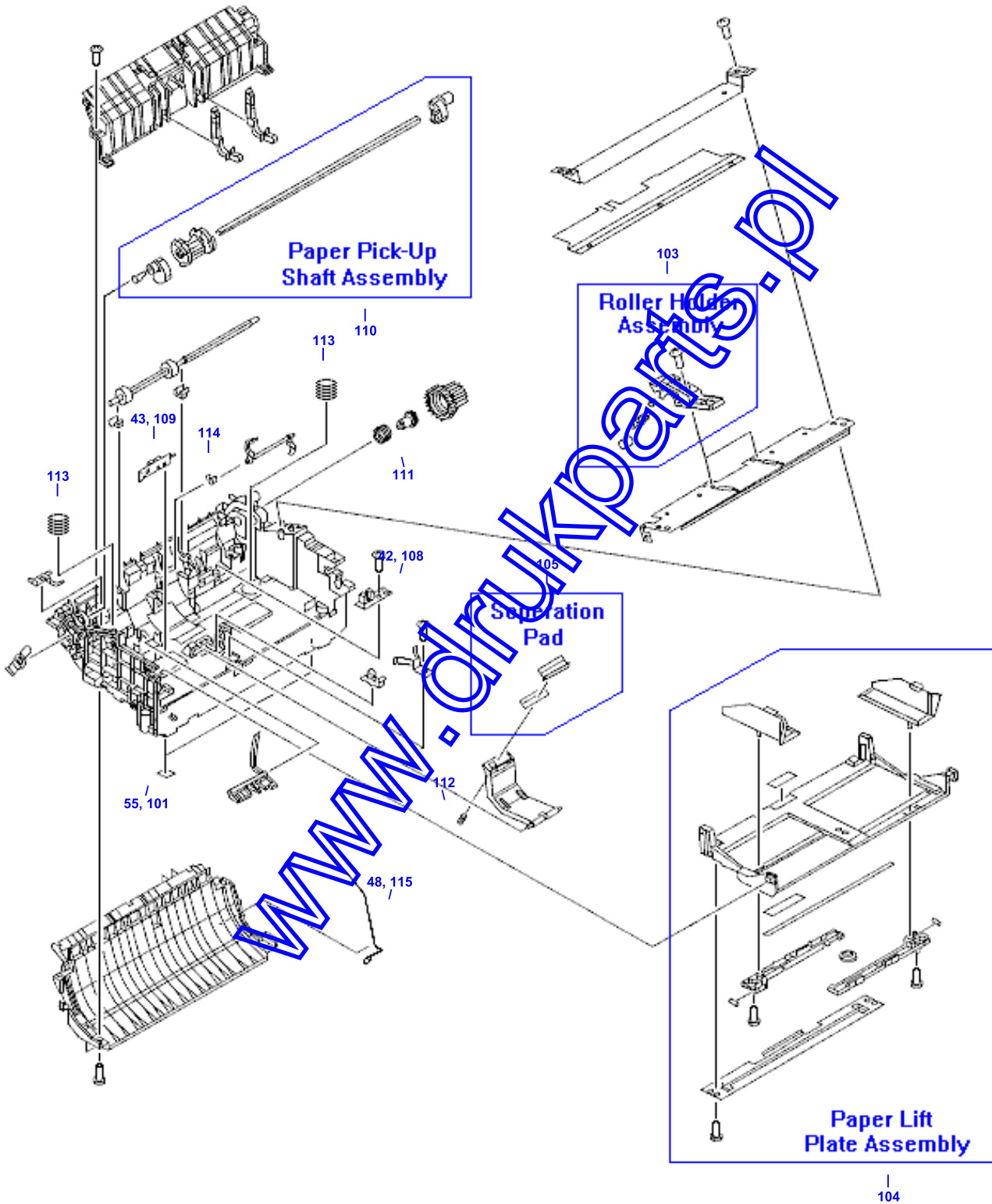


Engine Control Board and Related Parts



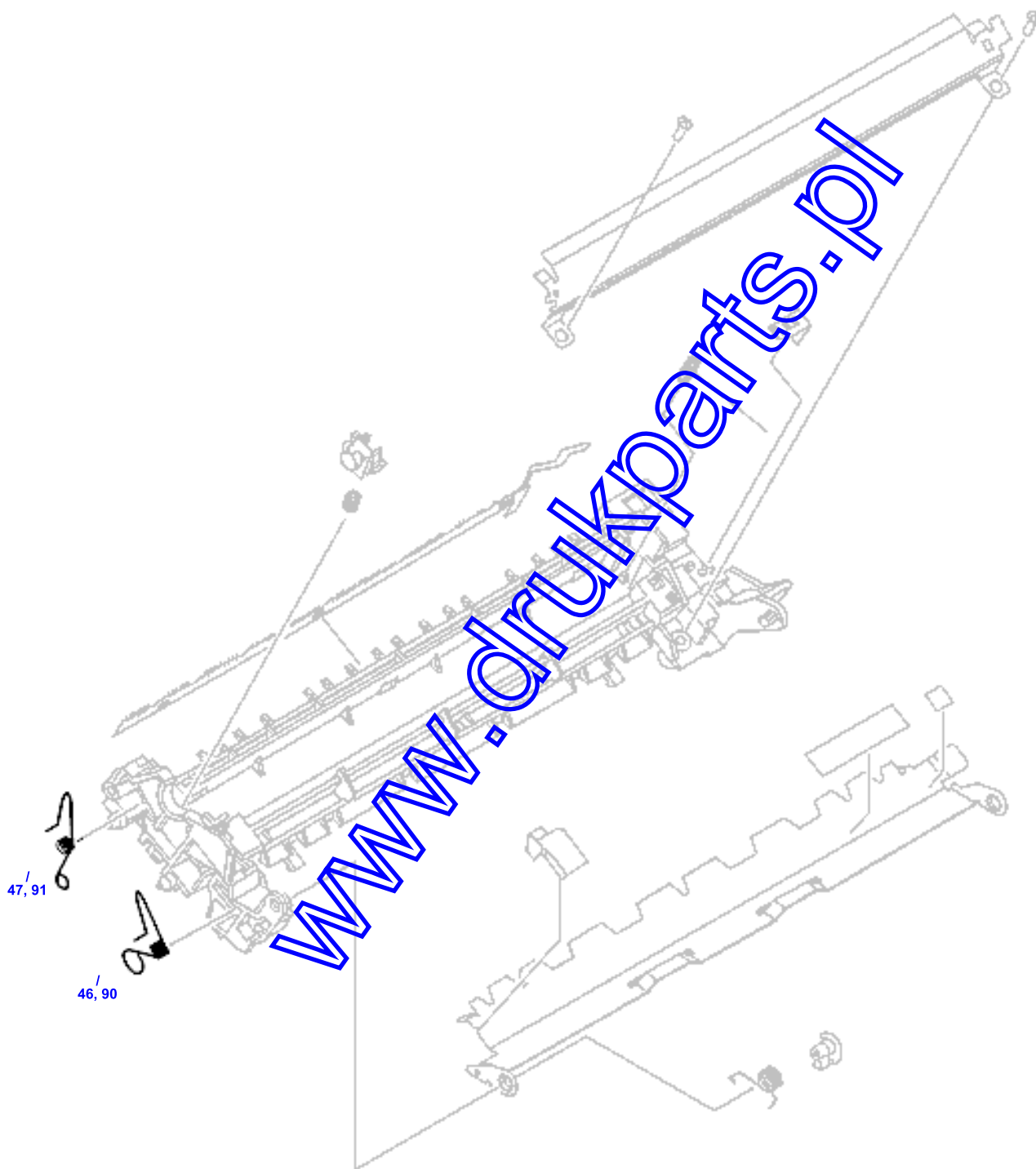
Paper Pick-Up Assembly

Paper Pick-Up Assembly - 98, 106




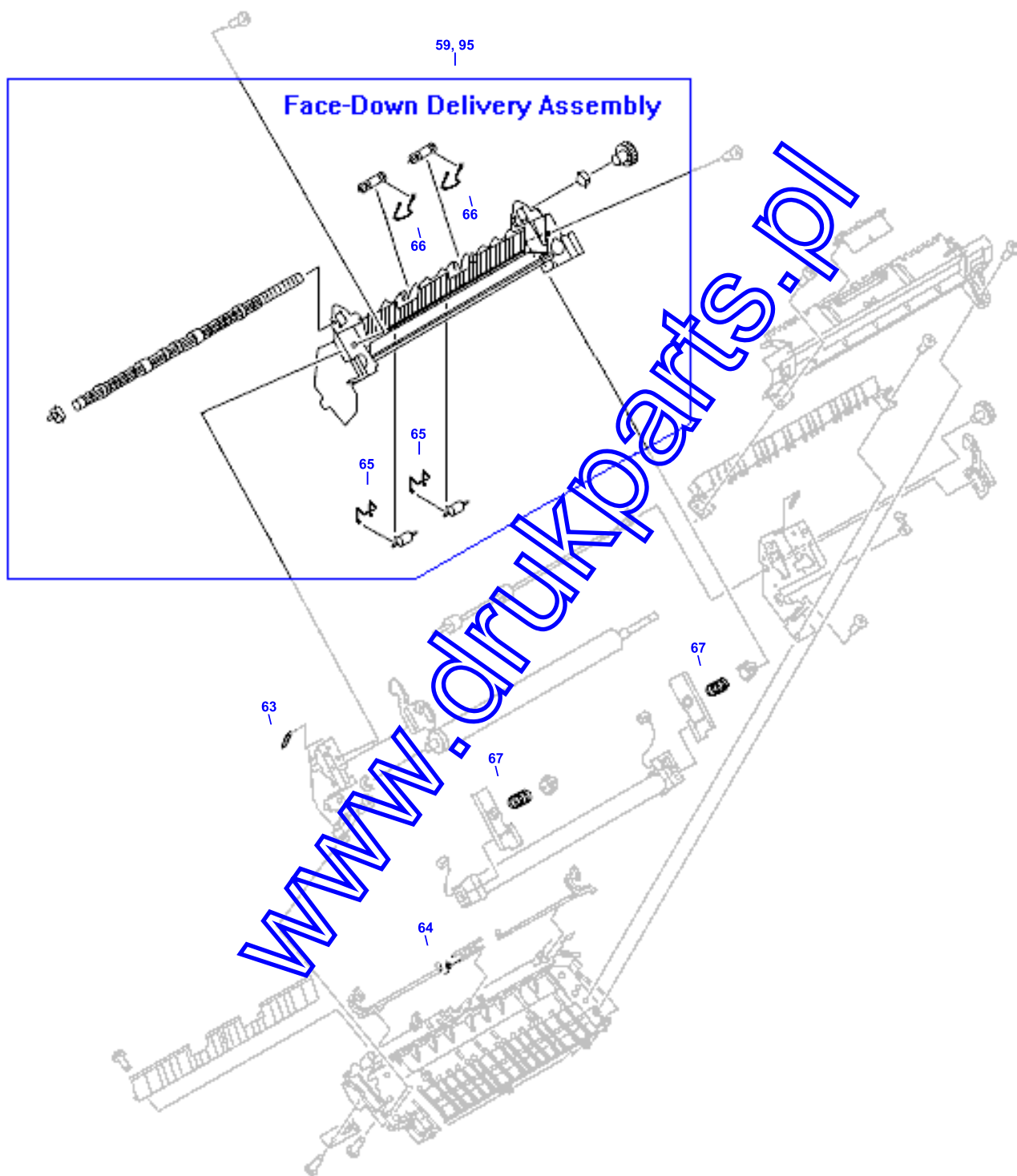
Paper Feed Guide Assembly

 Paper Feed Guide Assembly - 97



Fusing Assembly

 Fusing Assembly - 60, 61



Screw Kit



 LaserJet 1300 Screw Kit - 58



HP Parts Reference Guide

<http://www.hp.com/go/parts>

HP PartSurfer

<http://partsurfer.hp.com>

HP Parts Ordering Information

<http://www.hp.com/go/hpparts>

HP Parts Questions/Comments

<http://partsurfer.hp.com/contactus.htm>

www.drukparts.pl