



Chassis Parts

Cover

- 1 RF5-2827-000CN Printer door frame and scanner output cover
- 2 RF5-2828-000CN Back side chassis cover

Door

- 3 RB2-4014-000CN Memory door - Covers optional DIMM memory slot
- 4 RG5-4604-000CN Printer door - Front printer access door

Plate

- RB2-3992-000CN Formatter plate

Support

- 6 RB2-4018-000CN Left side chassis pod
- 7 RB2-4019-000CN Right side chassis pod
- 8 RG9-1329-000CN Paper support - Scanner input support and printer face-up output support
- 9 RG9-1332-000CN Input paper support - Printer input media support

Tray

- 10 RG5-4601-000CN Single sheet input tray
- 11 RG5-4602-000CN Input paper bin - Paper input for printer

Document Scanner

Scanner

- 12 RG9-1512-000CN Document scanner assembly - Mounts to front of printer

Sensor

- 13 RG5-4561-000CN Contact image sensor assembly

ECU Assembly

Cable

- 14 RG5-4618-000CN Motor cable - J007 to J401
- 15 RG5-4619-000CN Thermistor cable - J008 to J206
- 16 RH2-5381-000CN Flex cable - Has two 20 pin (M) edge connectors - 8.2cm (3.2 inches) long

Connector

- 17 VS1-5057-002CN SL2/Tray 2 solenoid electrical connector

Holder

- 18 RB2-3986-000CN Power switch lever holder

Insulator

- 19 RB2-3985-000CN Insulating sheet - Between ECU PC board and metal pan

Lever

- 20 RB2-3987-000CN Power switch lever

Plate

- 21 RB2-3984-000CN ECU plate (L-shaped) - Metal plate that supports engine controller PC board
- 22 RB2-4049-000CN Ground connection - ECU plate to formatter plate

Rod

- 23 RB2-3988-000CN Power switch lever connector rod

Spacer

- 24 RB1-7303-000CN Stand-off spacer between ECU PC board and metal ECU pan

Switch

- 25 RG5-4599-000CN Door switch/sensor assembly



Electronic Accessories

Cable (Interface)

5063-1254	IEEE-1284 Bi-Tronics parallel cable - DB-25 (M) connector (type A) to 36 pin high density IEEE-1284C (M) connector (type C) - 3.0m (9.8ft) long
5063-1255	IEEE-1284 Bi-Tronics parallel cable - DB-25 (M) connector (type A) to 36 pin high density IEEE-1284C (M) connector (type C) - 10m (33ft) long
8120-8668	IEEE-1284 Bi-Tronics parallel interface cable - DB-25 (M) connector (type A) to IEEE-1284C 36 pin (M) connector (type C) - 2.0m (6.6ft) long
C2946A	IEEE-1284 Bi-Tronics parallel cable - DB-25 (M) connector (type A) to 36 pin high density IEEE-1284C (M) connector (type C) - 3.0m (9.8ft) long
C2947A	IEEE-1284 Bi-Tronics parallel cable - DB-25 (M) connector (type A) to 36 pin high density IEEE-1284C (M) connector (type C) - 10m (33ft) long

Interface (Module)

J3263-69001	External JetDirect 300X print server module (10Base-T and 100Base-T) - Connects between printer parallel port and LAN network - Does NOT include power module - (J3263A, J3296A, J6051A, J6060A) REQUIRES RETURN OF DEFECTIVE PART
J3263-61001	<i>New Part for J3263-69001</i>

Memory (Product)

C4135A	4MB, 100-pin, 32-bit, 60nS, EDO DRAM DIMM memory module
C4136A	8MB, 100-pin, 32-bit, 60nS, EDO DRAM DIMM memory module
C4137A	16MB, 100-pin, 32-bit, 60nS, EDO DRAM DIMM memory module

Scanner Assembly

C4221A	Optional copier/scanner assembly - Adds one button scan/copy to LaserJet 1100 - Attaches to front of printer NO LONGER SUPPLIED
--------	--

Feeder Assembly

Feed Assembly

36	RG5-4581-000CN	Feeder roller assembly - Includes flags and sensors
----	----------------	---

Roller

37	RB2-3912-000CN	Feeder roller
----	----------------	---------------

Interface Module & Parts

Module

J3264-69001	External JetDirect token ring interface module with DB-9 and RJ-45 input connectors and 3 parallel (DB-25) output connectors REQUIRES RETURN OF DEFECTIVE PART
J3264-61001	<i>New Part for J3264-69001</i>
J3265-69001	External JetDirect LAN interface module with EtherTwist (10Base-T and ThinLAN) (10BASE-2) input connectors and 3 parallel (DB-25) output connectors REQUIRES RETURN OF DEFECTIVE PART
J3265-61001	<i>New Part for J3265-69001</i>

Power Module

0950-3348	Wall mount power supply module (MEI-AH ED12006) - 110-127VAC input, 57-63Hz - 13VDC output, 800mA, 10.4 watts (for use in the United States and Canada) - For models J2590/91/93/94A, J2964A, J3258A/B, J3263/64/65A, J3282B, J4101A/B, J4102A/B
0950-3349	Wall mount power supply module (MEI-AH ED12007) - 230VAC input, 47-53Hz - 13VDC output, 800mA, 10.4 watts (for use in Europe and Israel) - For JetDirect/infrared interface models J2590/91/93/94A, J2964A, J3258A/B, J3263/64/65A, J3282B, J4101A/B, J4102A/B
0950-3350	Wall mount power supply module (MEI-AH ED12008) - 220-240VAC input, 47-53Hz - 13VDC output, 800mA, 10.4 watts (for use in the United Kingdom) - For JetDirect/infrared interfaces J2590/91/93/94A, J2964A, J3258A/B, J3263/64/65A, J3282B, J4101A/B, J4102A/B
0950-3351	Wall mount power supply module (MEI-AH ED12009) - 220VAC input, 47-63Hz - 13VDC output, 800mA, 10.4 watts (for use in South Korea) - For JetDirect/infrared interface models J2590/91/93/94A, J2964A, J3258A/B, J3263/64/65A, J3282B, J4101A/B, J4102A/B

Interface Module & Parts

Power Module

0950-3352	Wall mount power supply module (MEI-AH ED12010) - 100VAC input, 47-63Hz - 13VDC output, 800mA, 10.4 watts (for use in Japan) - For JetDirect/infrared interface models J2590/91/93/94A, J2964A, J3258A/B, J3263/64/65A, J3282B, J4101A/B, J4102A/B
0950-3354	Wall mount power supply module (MEI-AH ED12010) - 220-250VAC input, 47-53Hz - 13VDC output, 800mA, 10.4 watts (for use in South Africa) - For JetDirect/infrared interface models J2590/91/93/94A, J2964A, J3258A/B, J3263/64/65A, J3282B, J4101A/B, J4102A/B
9100-5176	Wall mount power supply module (Leader Electronics 48130625HK) - 200VAC input, 48-52Hz - 13VDC output, 625mA (Hong Kong) - For JetDirect Modules and Infrared Interface Models J2590/91/93/94A, J2964A, J3258A/B, J3263/64/65A, J3282B, J4101A/B, J4102A/B
0950-3350	<i>New Part for 9100-5176</i>

Internal Components

Brush

47	RB2-3951-000CN	Static charge eliminator brush
----	----------------	--------------------------------

Cable

48	RG5-4616-000CN	Cable assembly - 12 pin (F) connector, 8 pin (F) connector, and 4 pin (F) connector - 62.9cm (24.8 inches) long
49	RG5-4617-000CN	Sensor cable - Connects J211, J003 and J004
50	RG5-4620-000CN	Display cable - Connects J1 to J901 on status display
51	RH2-5379-000CN	Flex cable - A 30 pin (F) connector on a circuit board to a 30 pin (M) edge connector - 37.5cm (14.8 inches) long

Cover

52	RB2-3999-000CN	Laser/scanner cover
53	RB2-4030-000CN	Holder cover - Flat cable holder cover

Drive Assembly

54	RG5-4586-000CN	Gear drive assembly - Includes drive motor
----	----------------	--

Foot

55	RB2-3945-000CN	Rubber foot
----	----------------	-------------

Gear

56	RY7-5049-000CN	Gear kit - Driven by gear/motor assembly - Drives fuser, pressure, transfer and output rollers
----	----------------	--

Guide

57	RF5-2818-000CN	Cartridge guide - Left side toner cartridge guide
58	RF5-2819-000CN	Cartridge guide - Right side toner cartridge guide

Holder

59	RB2-4001-000CN	PCB support - Printer status display PC board holder
60	RB2-4017-000CN	Cable holder - Flat cable holder
61	RG9-1433-000CN	Connector holder assembly - Supports optional scanner assembly and connecting cable

Motor

62	RH7-1404-000CN	Gear drive assembly motor
----	----------------	---------------------------

Mount

63	RB2-4034-000CN	Printer door rail arm mount
----	----------------	-----------------------------

PC Board

65	RG5-4608-000CN	Printer status display PC board
----	----------------	---------------------------------

Pad

64	RF5-2886-000CN	Separation pad - Separation pad and holder arm
----	----------------	--

Plate

66	RB2-3941-000CN	Arm plate - Supports printer door guide arm - Left side
67	RB2-3942-000CN	Arm plate - Supports printer door guide arm - Right side



Internal Components

Plate

- 68 RB2-4219-000CN Grounding plate - Transfer roller ground path
- 69 RG5-4582-000CN Paper guide kick plate assembly

Rail

- 70 RG5-4587-000CN Printer door support rail - Left side
- 71 RG5-4588-000CN Printer door support rail - Right side

Retainer

- 72 RB2-3947-000CN Separation pad holder retainer - White plastic clip

Spring

- 73 RB2-3944-000CN Leaf spring - Contact for toner cartridge
- 74 RB2-3952-000CN Tension spring - Provides tension for toner cartridge high voltage contact - Rear contact
- 75 RB2-3953-000CN Tension spring - Provides tension for toner cartridge high voltage contact - Front contact
- 76 RB2-3959-000CN Leaf spring - Left side transfer roller grounding spring
- 77 RB2-3961-000CN Torsion spring - Provides tension for output sensor flag
- 78 RS5-2502-000CN Compression spring - Provides tension for separation pad
- 79 RS6-2122-000CN Compression spring - Provides tension for paper kick plate

Tie-Wrap

- 80 WT2-5041-000CN Cable tie wrap

Other Accessories

Bracket

- J3263-40003 Mounting bracket (plastic clip) - Holds the JetDirect print server module on the rear panel of the printer

CD-ROM (Support)

- C4224-60161 LaserJet 1100 series service manual on CD-ROM

Cartridge

- C4092A Ultra-Precise Black toner (EP) cartridge

Kit

- H3965-60001 Maintenance kit (120V) - Includes fuser, separation pad and sub pad, transfer roller, pressure roller, pick-up roller, face down roller - Procedure requires service manual
- H3965-60002 Maintenance kit (220V) - Includes fuser, separation pad and sub pad, transfer roller, pressure roller, pickup roller, face down roller - Procedure requires service manual

Lubricant

- CK-8006-000CN Grease

Manual

- C4218-90901 LaserJet 1100A quick reference guide
- C4224-90962 LaserJet 1100 series manual - Printed version (English)

Software

- C6072-60301 HP-GL/2 driver software for AutoCAD - For DOS and Windows 3.1/95/NT 4.0 - On 3.5-inch 1.44MB floppy disks (English)
- C6072-60304 HP-GL/2 driver software for AutoCAD - For DOS and Windows 3.1/95/NT 4.0 - On 3.5-inch 1.44MB floppy disks (German)
- C6072-60305 HP-GL/2 driver software for AutoCAD - For DOS and Windows 3.1/95/NT 4.0 - On 3.5-inch 1.44MB floppy disks (French)
- C6072-60306 HP-GL/2 driver software for AutoCAD - For DOS and Windows 3.1/95/NT 4.0 - On 3.5-inch 1.44MB floppy disks (Spanish)
- C6072-60307 HP-GL/2 driver software for AutoCAD - For DOS and Windows 3.1/95/NT 4.0 - On 3.5-inch 1.44MB floppy disks (Italian)



Other Accessories

Tool

BZ99-R72-8010CN Pod removal tool - Used to remove stabilizer pods - Includes both removal tools for right and left sides

PC Boards and Power Cords

PC Board

C4146-60001 Formatter PC board

127 RG5-4605-000CN ECU PCB - Engine controller unit PC board - 110V

128 RG5-4606-000CN ECU PCB - Engine controller unit PC board - 220V

Power Cord

8120-6800 Power cord (Flint Gray) - 16 AWG, 2.3m (7.5ft) long - Has straight (F) receptacle (For 240V in Israel)

8120-6809 Power cord (Dove Gray) - 2.3m (7.5ft) long - Has straight (F) receptacle (For 240V operation in the United Kingdom, Hong Kong, Singapore, Malaysia)

8120-6811 Power cord (Flint Gray) - 17 AWG, 2.3m (7.5ft) long - Has straight (F) receptacle (For 220V in Europe, Saudi Arabia, South Africa, India, and Korea)

8120-6812 Power cord (Flint Gray) - 18 AWG, 2.3m (7.5ft) long - Has straight (F) receptacle (For 120V in the USA, Canada, Mexico, Philippines, and Taiwan)

8120-6813 Power cord (Flint Gray) - 17 AWG, 2.3m (7.5ft) long - Has straight (F) receptacle (For 220V in South Africa, Saudi Arabia, and India)

8120-6814 Power cord (Flint Gray) - 17 AWG, 2.3m (7.5ft) long - Has straight (F) receptacle (For 220V in Denmark)

8120-6815 Power cord (Flint Gray) - 17 AWG, 2.3m (7.5ft) long - Has straight (F) receptacle (For 220V in Switzerland)

Paper Path Parts

Bushing

95 RB2-3939-000CN Transfer roller bushing - Right side

96 RB2-3956-000CN Pressure roller bushing - Left side

97 RB2-3957-000CN Pressure roller bushing - Right side

Cam

98 RB2-3949-000CN Pick-up roller shaft cam - Provides mechanical engagement of pick-up roller against separation pad

Clutch

99 RG5-4585-000CN Paper pick-up shaft drive clutch/gear assembly

100 RY7-5051-000CN Clutch kit - Connects to gear drive assembly

Delivery

101 RG5-4593-000CN Delivery assembly - Paper output assembly - Has yellow 'avoid contact' label in several languages on top

Flag

102 RB2-3960-000CN Paper output sensor flag

Fusing Assembly

103 RG5-4589-040CN Heating element assembly (For 100V to 120V operation) - Bonds toner to paper by heat

104 RG5-4590-040CN Heating element assembly (For 220V to 240V operation) - Bonds toner to paper by heat

Guide

105 RB2-3950-000CN Transfer guide

106 RB2-3958-000CN Fixing guide - Stabilizes media under pressure roller

107 RB2-4006-000CN Paper output deflector

Holder

108 RG5-4584-000CN Roller holder - Pick-up roller support assembly

Kit

109 RY7-5050-000CN Subpad kit - Helps separation of media at pickup roller



Paper Path Parts

Laser/Scanner

110 RG5-4570-000CN Laser/scanner assembly

Mount

111 RG5-4591-000CN Pressure roller mount - Left side

112 RG5-4592-000CN Roller mount - Provides fusing element with correct tension and holds it secure on mounting points

Plate

113 RB2-3932-000CN Laser/scanner mount plate

Roller

114 RB2-3931-000CN Idler roller - Supports pick-up roller shaft in holder

115 RB2-4026-000CN Paper pick-up roller

116 RF5-2822-000CN Output roller - Face-up output roller

117 RF5-2823-000CN Pressure roller - Provides pressure for media as it passes through the fuser roller

118 RF5-2830-000CN Output roller - Face-down output roller

119 RG5-4657-000CN Transfer roller assembly - Includes drive gear

Shaft

120 RB2-3930-000CN Pick-up roller shaft

121 RB2-3943-000CN Paper pick-up roller drive shaft - Mates to the shaft that pick-up roller is attached to

Solenoid

122 RH7-5227-000CN Solenoid - Engages pick-up roller

Spring

123 RB2-3940-000CN Compression spring - Provides tension for transfer roller

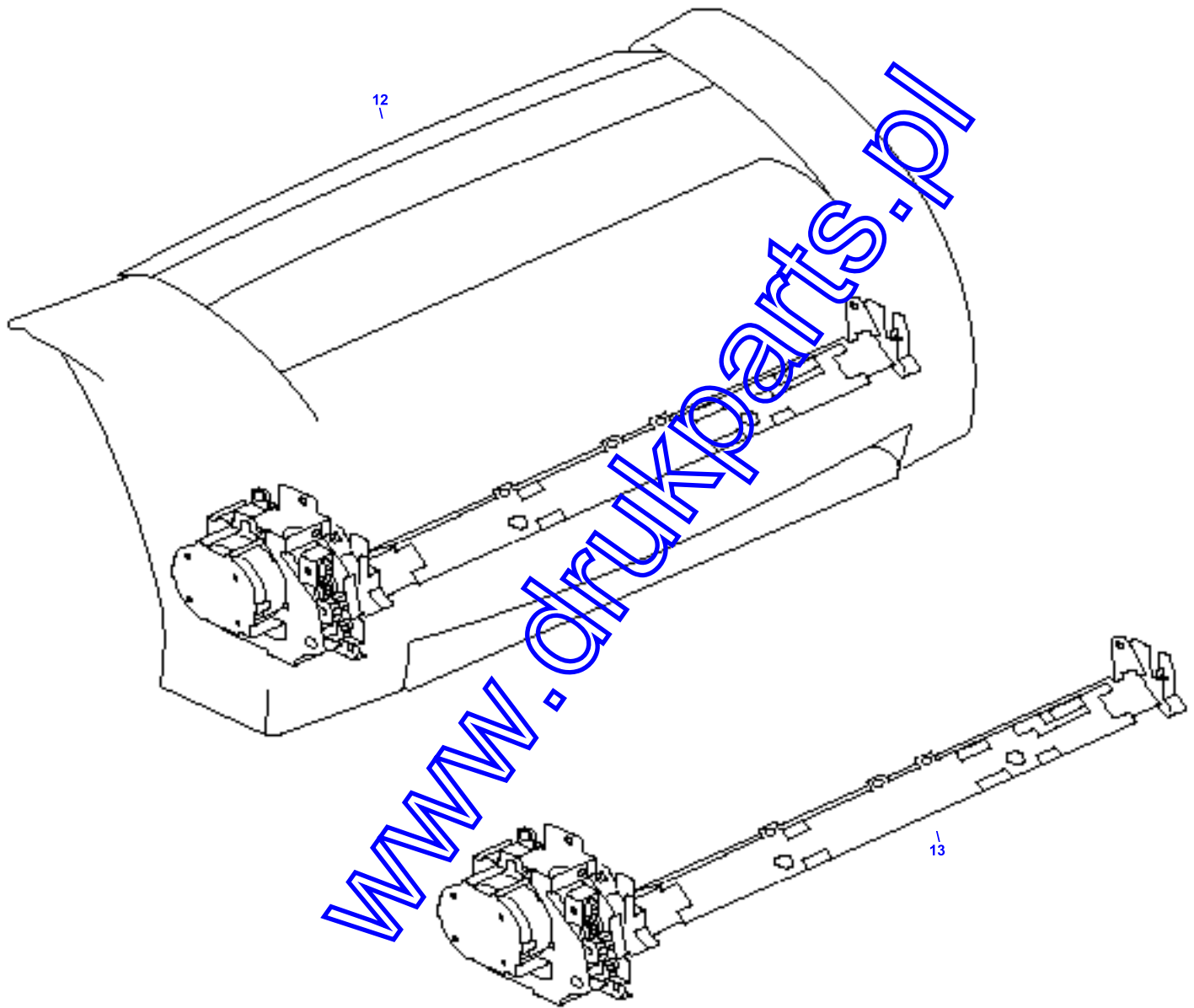
124 RY7-5060-000CN Compression spring - Provides tension between fuser and pressure roller - Includes screw fastener

Stop

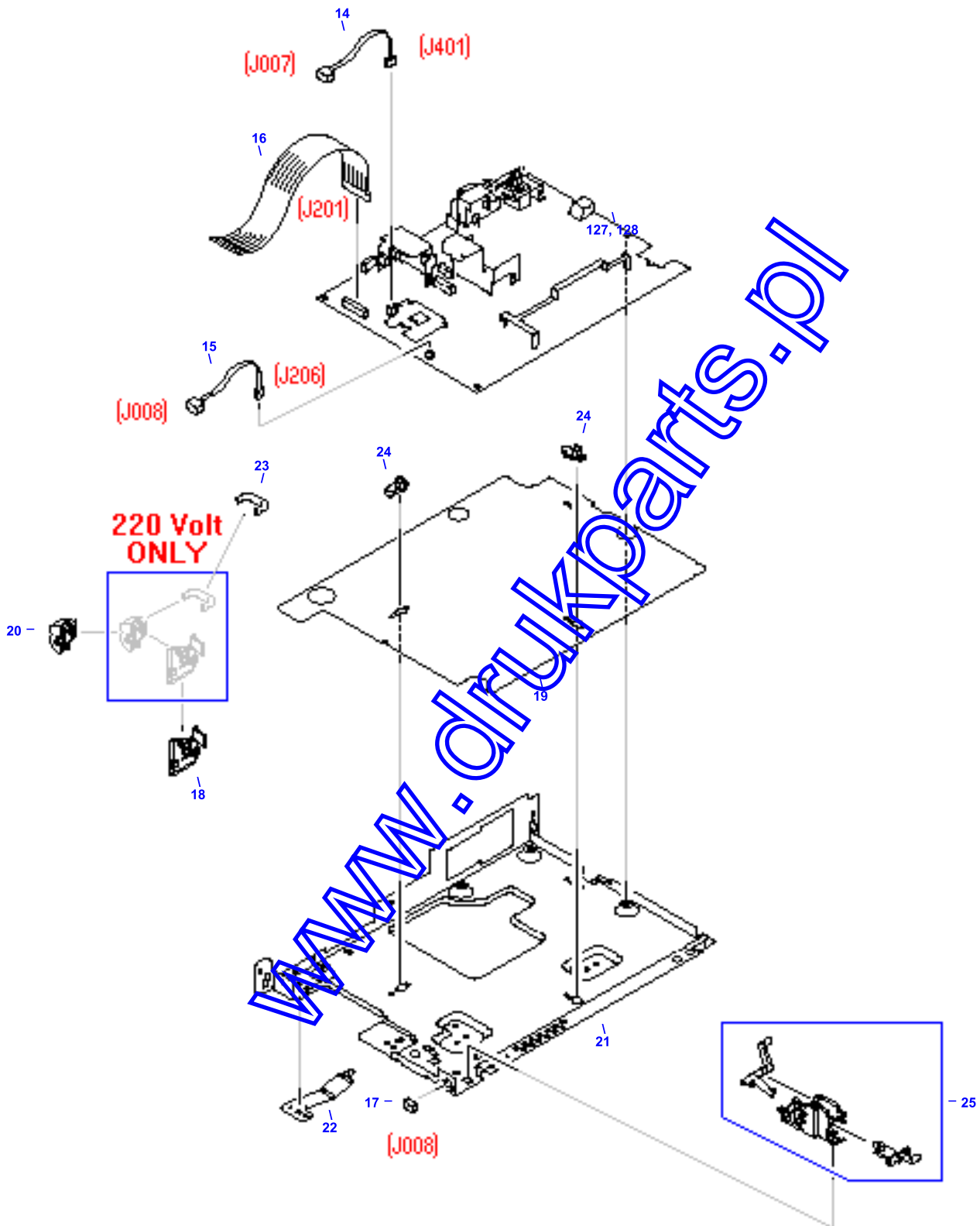
125 RB2-4016-000CN Slide stop - Holds end of output roller in place

www.druckparts.pl

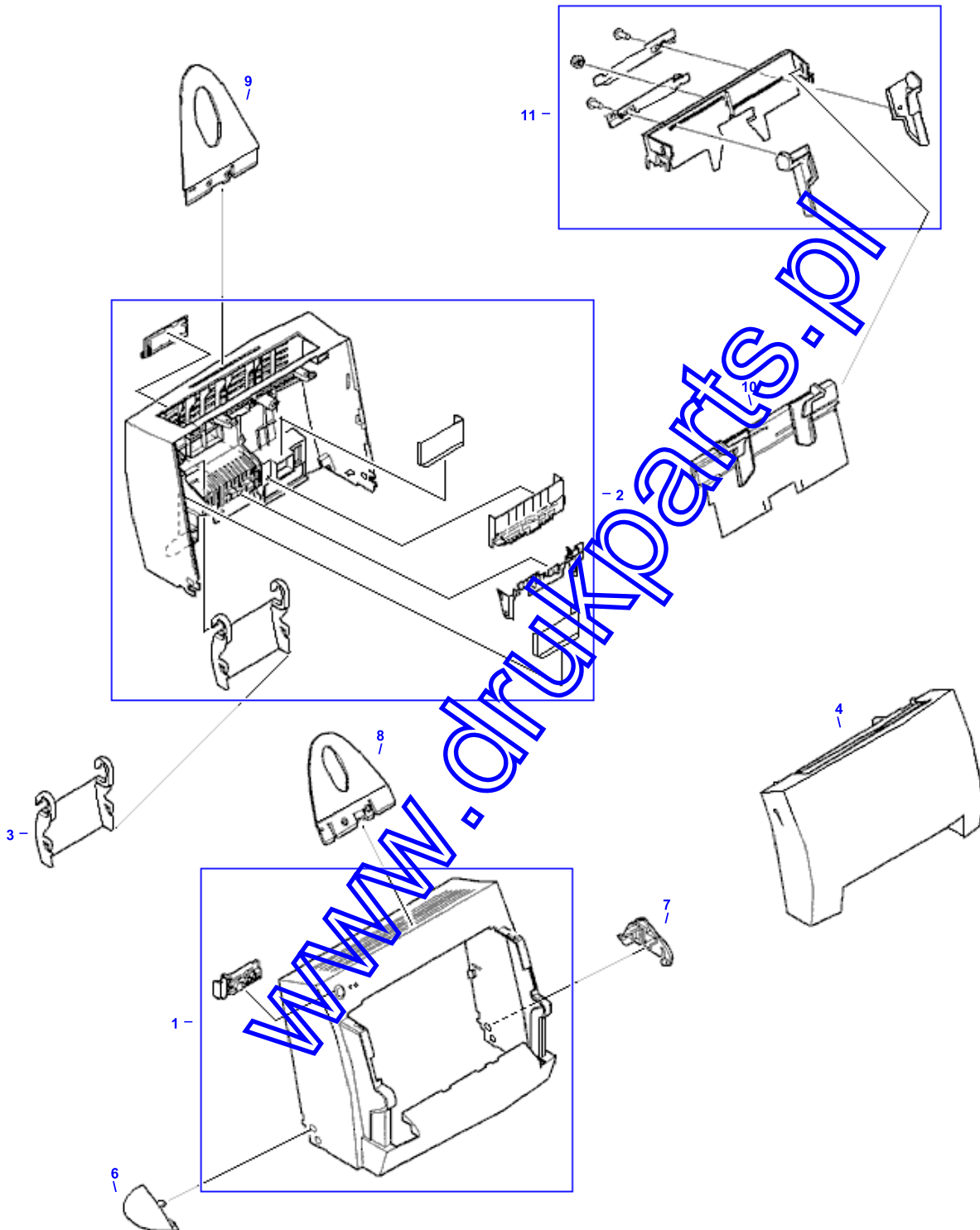
Document Scanner



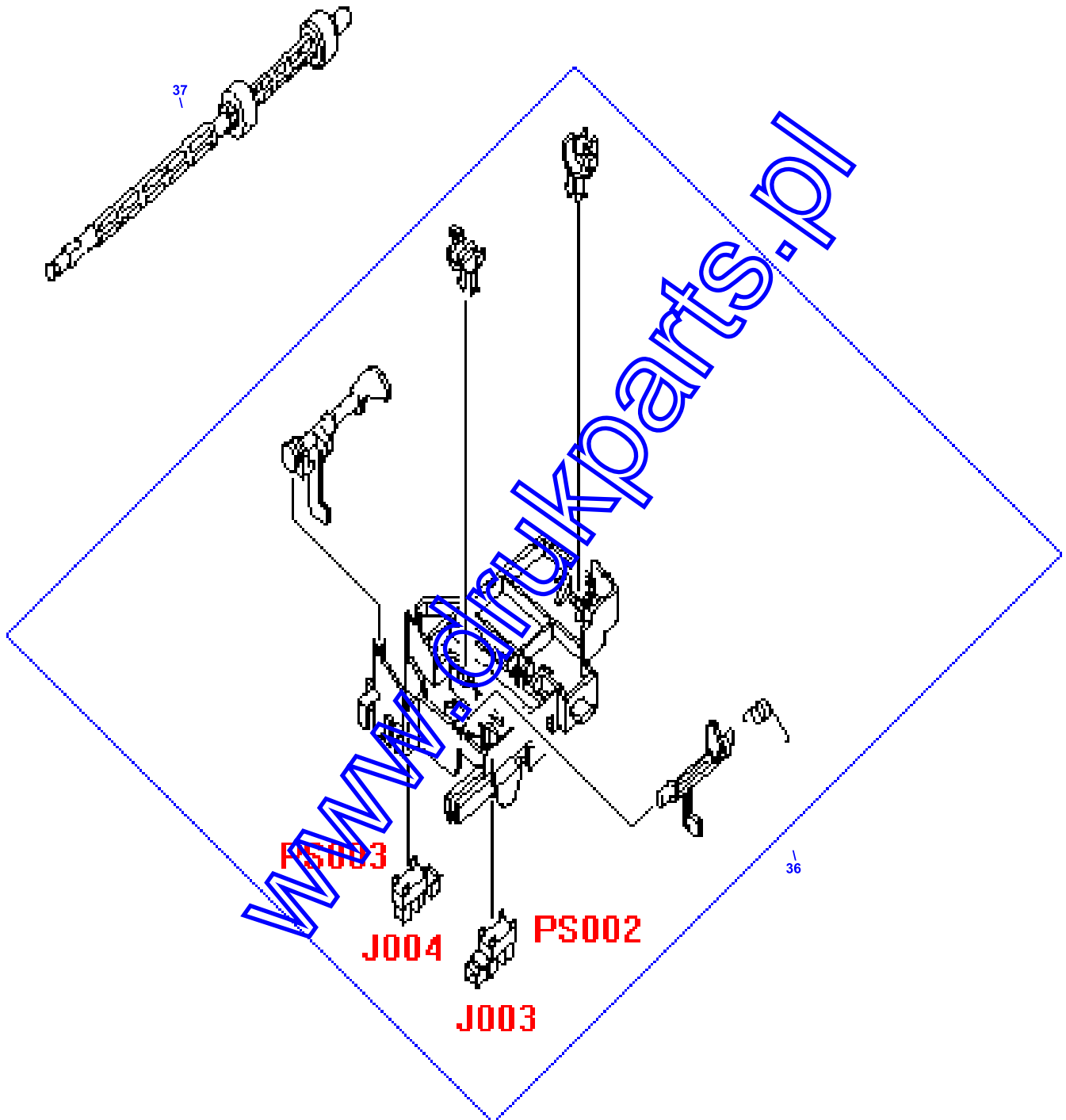
Engine Controller Assembly



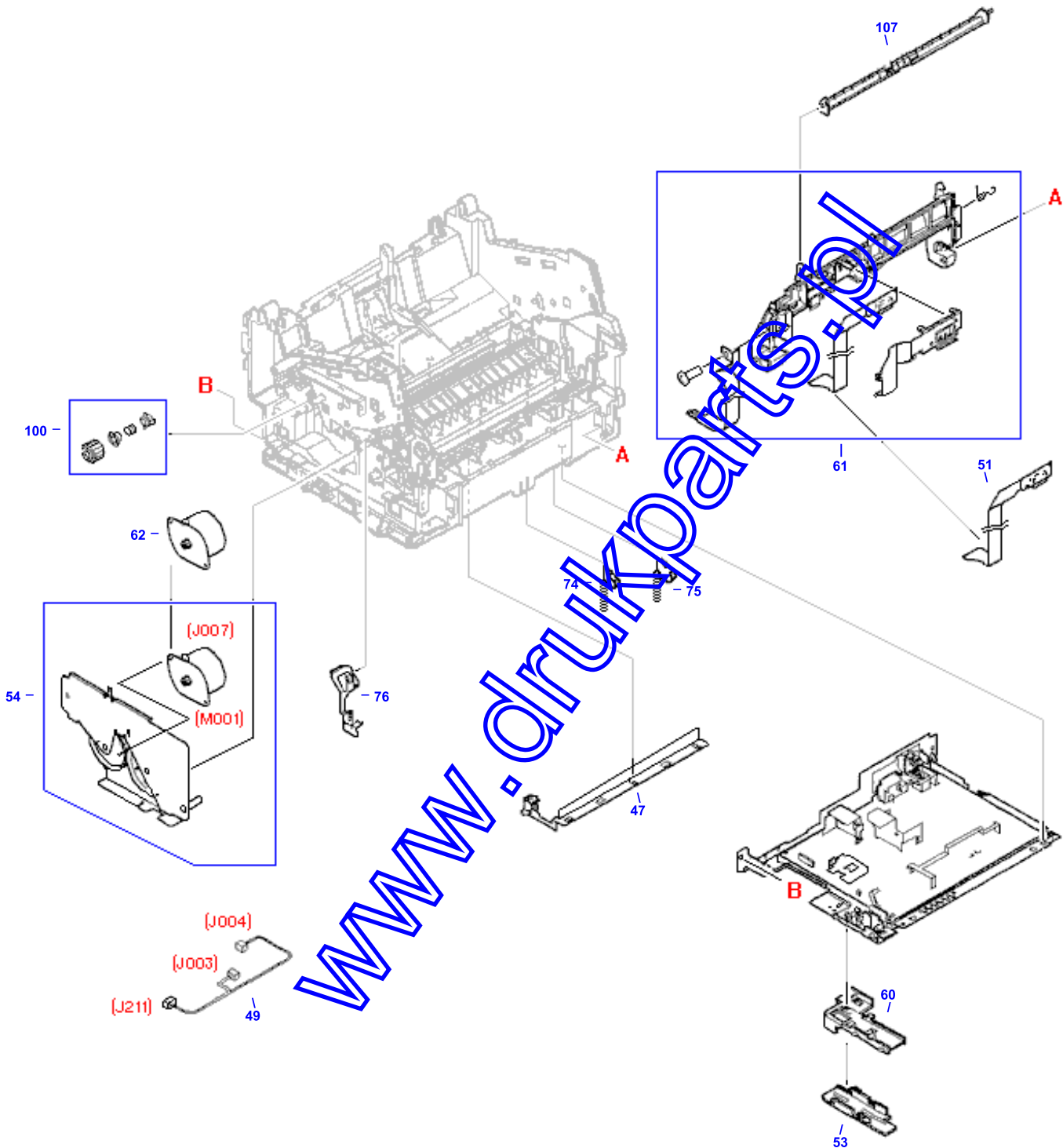
External Covers and Trays



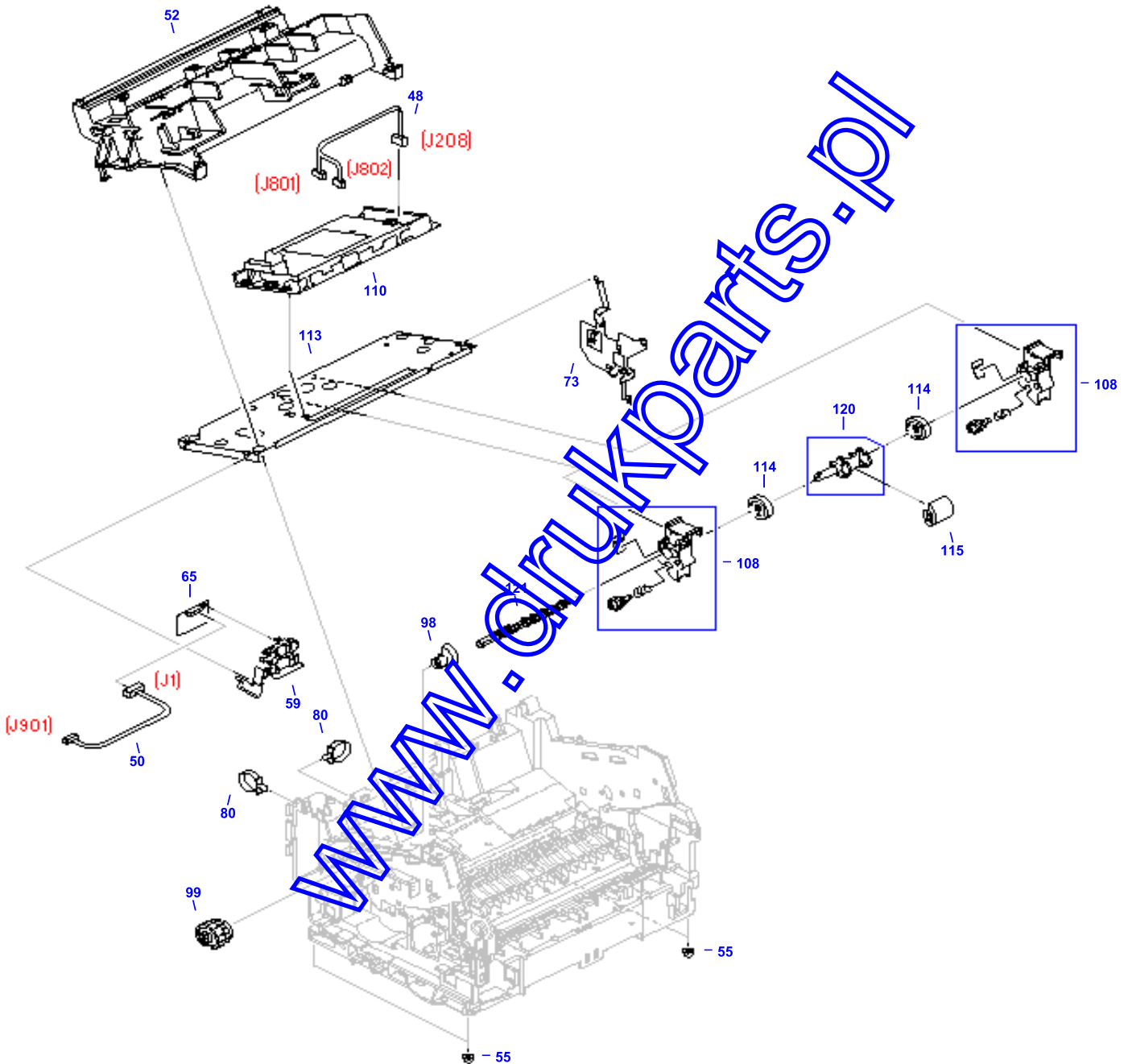
Feeder Assembly



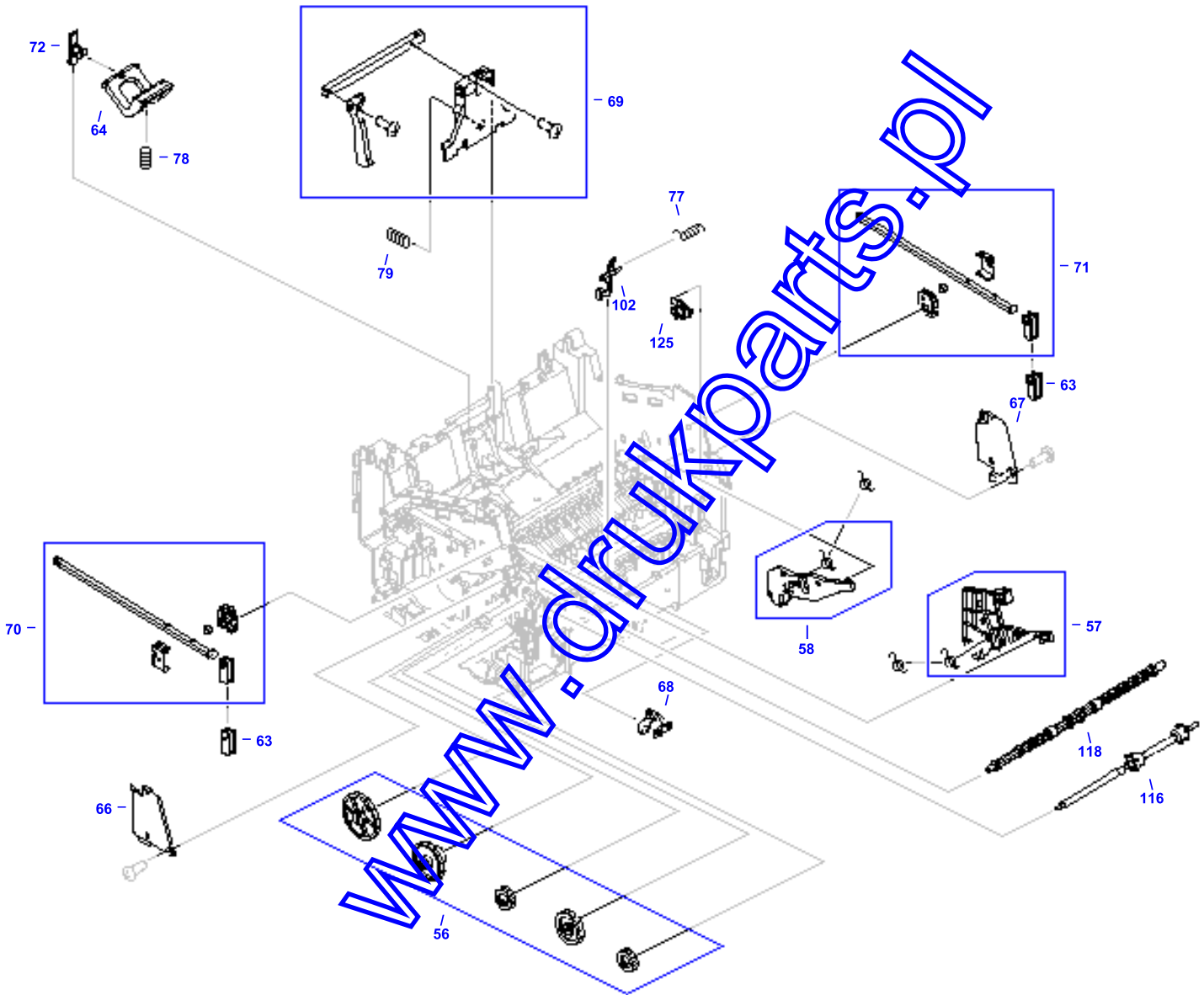
Internal Components 1 of 4



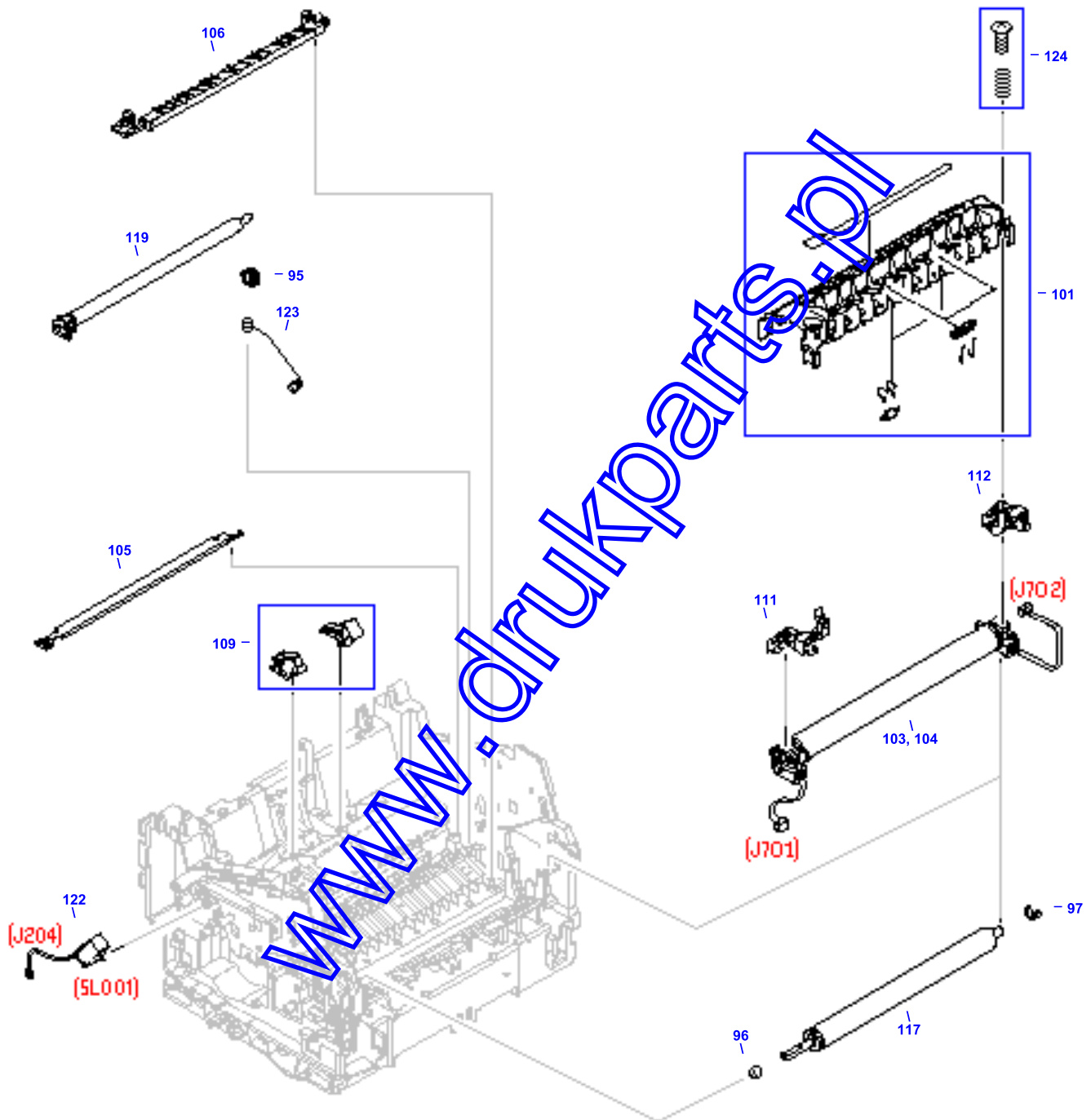
Internal Components 2 of 4



Internal Components 3 of 4



Internal Components 4 of 4





HP Parts Reference Guide

<http://www.hp.com/go/parts>

HP PartSurfer

<http://partsurfer.hp.com>

HP Parts Ordering Information

<http://www.hp.com/go/hpparts>

HP Parts Questions/Comments

<http://partsurfer.hp.com/contactus.htm>

www.drukparts.pl