



Electronic Accessories

Interface (Product)

- J6035C HP JetDirect 175X Fast Ethernet external print server - Has on 4-pin USB connector and one RJ-45 LAN connector - Connects to the printer via the USB port and the network via the LAN port

Electronics/Power Cords

Fusing Assembly

- 2 RM1-0649-000CN Fusing assembly - Bonds toner to paper with heat - For 110V to 127VAC (+/- 10%) operation - Mounts in the upper rear of the printer - Mounts in the upper rear of the printer
- 3 RM1-0655-000CN Fusing assembly - Bonds toner to paper with heat - For 220V to 240VAC (+/- 10%) operation - Mounts in the upper rear of the printer

Laser/Scanner

- 4 RM1-0171-000CN Laser/scanner assembly with flat flexible cable (FFC) - Does NOT include the laser shutter arm - Mounts on top of the print structure frame

PC Board

- 5 RM1-0806-000CN Print engine control board - Provides timing and control of the printer motors and functions - Mounts on the print structure frame above the laser/scanner assembly

Power Cord

- 8120-6800 Power cord (Flint Gray) - 16 AWG, 2.3m (7.5ft) long - Has straight (F) receptacle (For 240V in Israel)
- 8120-8382 Power cord (Flint Gray) - 18 AWG, 1.8m (6.0ft) long - Has straight (F) receptacle (For 120V in the USA and Canada)
- 8120-8707 Power cord (Flint Gray) - 17 AWG, 2.3m (7.5ft) long - Has straight (F) receptacle (For 220V in China)
- 8121-0516 Power cord (Flint Gray) - 18 AWG, 1.9m (6.25ft) long - Has straight (F) receptacle (For 220V in Europe)
- 8121-0517 Power cord (Flint Gray) - 18 AWG, 1.9m (6.25ft) long - Has straight (F) receptacle (For 240V in the UK, Hong Kong, Singapore, and Malaysia)
- 8121-0518 Power cord (Flint Gray) - 18 AWG, 1.9m (6.25ft) long - Has straight (F) receptacle (For 220V in Denmark)
- 8121-0519 Power cord (Flint Gray) - 18 AWG, 1.9m (6.25ft) long - Has straight (F) receptacle (For 220V in Switzerland)
- 8121-0520 Power cord (Flint Gray) - 18 AWG, 1.9m (6.25ft) long - Has straight (F) receptacle (For 240V in India)
- 8121-0524 Power cord (Flint Gray) - 18 AWG, 1.9m (6.25ft) long - Has straight (F) receptacle (For 240V in Australia)
- 8121-0780 Power cord (Flint Gray) - 17 AWG, 2.3m (7.5ft) long - Has straight (F) C13 receptacle (For 240V in India)

Power Supply

- 16 RM1-0807-000CN Power supply board assembly - Includes the input power cord connector and power switch - For 110V to 127VAC (+/- 10%) operation - Mounts on the left side of the print structure frame
- 17 RM1-0808-000CN Power supply board assembly - Includes the input power cord connector and power switch - For 220V to 240VAC (+/- 10%) operation - Mounts on the left side of the print structure frame

Other Accessories

Cartridge

- Q2612-67901 Black toner cartridge - Will print approximately 2,000 pages based on a 5% print density - For CREW fulfillment
- Q2612A Black toner cartridge - Will print approximately 2,000 pages based on a 5% print density

Paper (Glossy)

- Q2415A Soft gloss LaserJet paper - Soft gloss finish on both sides, 95 brightness - A size (8.5 x 11-inches) - 500 sheets per box
- Q2417A Soft gloss LaserJet paper - Soft gloss finish on both sides, 95 brightness - A4 size (21.0cm x 29.7cm) - 250 sheets per box

Protector

- Q1299A Sheet protectors - 4mm (0.16in) thick polypropylene sheet protectors for 'A' size (8.5-inches x 11-inches) documents - Has top and side openings for easy insertion and removal of documents - 50 sleeves per box
NO LONGER SUPPLIED
- Q1299B Sheet protectors - 4mm (0.16in) thick polypropylene sheet protectors for 'A4' size (210mm x 297mm) documents - Has top and side openings for easy insertion and removal of documents - 50 sleeves per box
NO LONGER SUPPLIED



Other Mechanical Parts

Clip

- 24 RC1-1957-000CN Door link clip (Stopper) - Secures the toner cartridge access door to the internal link arm

Cover

- 25 Q2460-67914 Tray Cover - U-shaped plastic piece that covers the input paper tray (For use in the USA only)
26 Q2460-67915 Tray Cover - U-shaped plastic piece that covers the input paper tray (For use Worldwide, except the USA)

Pad

- 27 RM1-0648-000CN Separation pad assembly - Bracket with spring loaded pad assembly - Mounts in the designated slot at the bottom rear of the printer

Paper Pick-Up

- 28 RM1-0641-000CN Paper pick-up assembly - Includes the pick-up roller, feed roller assembly, drive gears, plastic housing and other associated parts - Does NOT include the separation pad assembly - Mounts in the lower rear of the print structure frame

Roller

- 29 RL1-0266-000CN Paper Pick-up Roller (D-shaped roller) - Picks up media from the paper input tray - Clips in the holder on the paper pick-up shaft
30 RM1-0658-000CN Transfer roller assembly - Transfers static charge to the media being printed on - Mounts in the top of the paper pick-up assembly

Tray Assembly

- 31 RM1-0629-000CN Paper input tray assembly - Includes the tray base and pull-out paper support extension (Dust cover NOT Included) - Mounts to the bottom front of the printer
32 RM1-0659-000CN Paper output tray assembly (Fold open tray extender) - Includes the tray, pull-out extender and paper stop - Mounts to the top cover on the printer

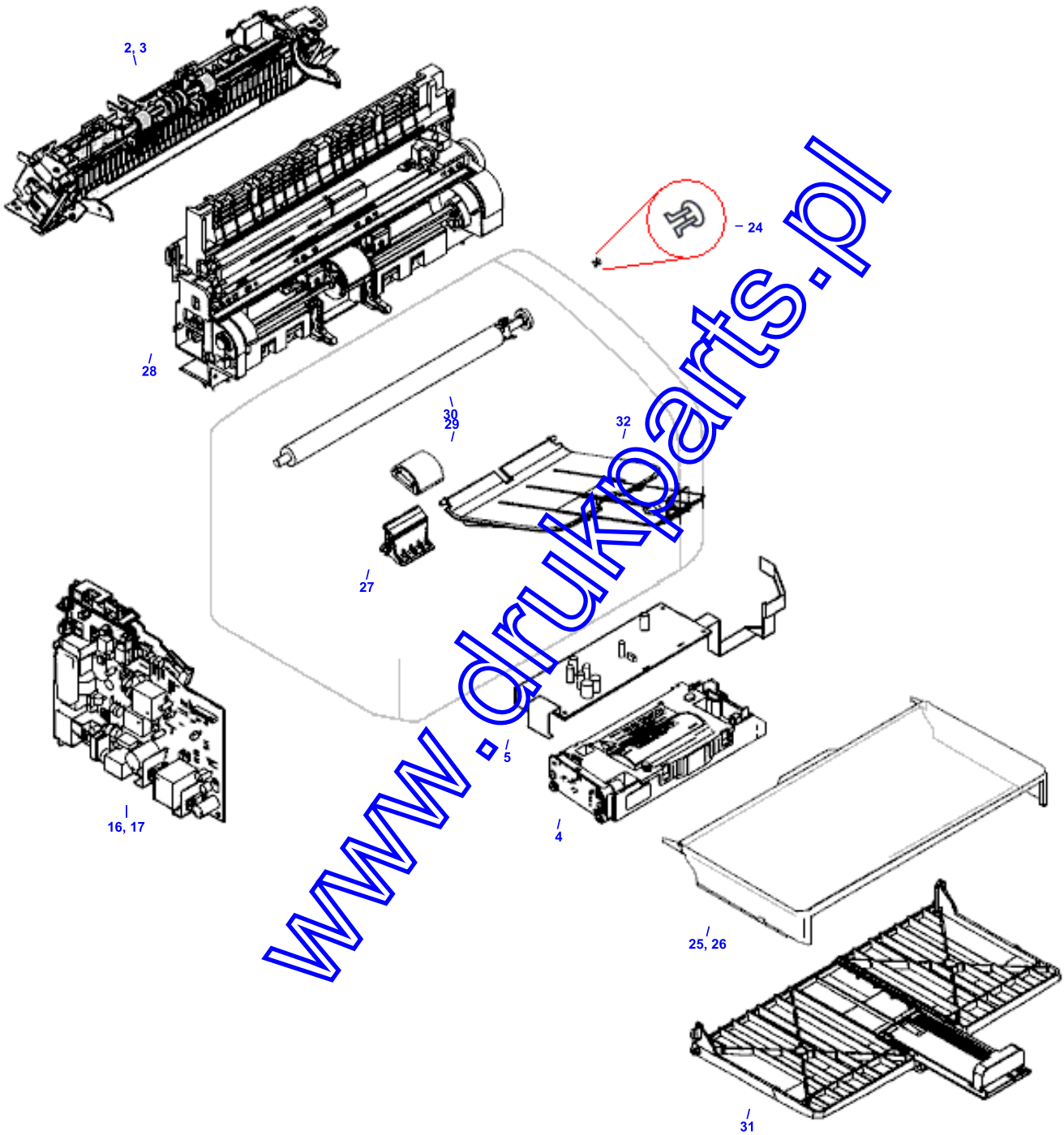
Replacement Printers

Printer

- Q2460-69001 Exchange LaserJet 1010 Printer (generic engine) - For 110V to 127VAC (+/- 10%) operation
REQUIRES RETURN OF DEFECTIVE PART
Q2460-67901 *New Part for Q2460-69001*
Q2460-69002 Exchange LaserJet 1010 Printer (generic engine) - For 220V to 240VAC (+/- 10%) operation
REQUIRES RETURN OF DEFECTIVE PART
Q2460-67902 *New Part for Q2460-69002*

www.druckparts.nl

LaseJet 101x Series Exploded View





HP Parts Reference Guide

<http://www.hp.com/go/parts>

HP PartSurfer

<http://partsurfer.hp.com>

HP Parts Ordering Information

<http://www.hp.com/go/hpparts>

HP Parts Questions/Comments

<http://partsurfer.hp.com/contactus.htm>

www.drukparts.pl