



Carriage Drive Parts

Belt

1 C4705-60082 Carriage belt (D-size) - Long/wide belt attached to the carriage

Bracket

2 C3195-40017 Carriage motor bracket

Bushing

3 C2858-40017 Rear slider rod bushing (Spring loaded) - Slides into the rear center of the carriage assembly

Cable

4 C3195-80009 Carriage assembly trailing cable - Two ribbon cables bundled together - 1.8m (6.0ft) long

Carriage

5 C4705-69113 Pen carriage assembly - Drafting 'Head' for the plotter (holds one black ink cartridge)
REQUIRES RETURN OF DEFECTIVE PART

C4705-60113 *New Part for C4705-69113*

Clamp

6 C3195-40026 Ribbon cable clamp (top half) - Secures the trailing cable to the top of the carriage assembly

7 C3195-40027 Ribbon cable clamp (bottom half) - Secures the trailing cable to the top of the carriage assembly

Encoder

8 C2858-60010 Linear encoder IC - Detects carriage position as it moves along encoder strip
NO LONGER SUPPLIED

Holder

9 C3195-40024 Cable holder (Small U-Shaped piece on top) - One of two pieces that hold the trailing cable to the main chassis

10 C3195-40025 Cable holder (Large piece on bottom) - One of two pieces that hold the trailing cable to the main chassis

Motor

11 C3195-60112 Carriage drive motor assembly - Includes motor and cable

Pulley

12 C3195-60169 Idler pulley - Applies tension to the left end of the carriage belt

Spring

13 C1633-80014 Compression spring - For the rear bushing on the carriage

14 C3195-80002 Compression spring - For the pulley wedge - Applies tension to the carriage belt

15 C4699-00016 Encoder spring

Strip

16 C4713-60098 Encoder strip assembly (D-size) - Includes encoder strip and encoder strip spring

Wedge

17 C3195-40039 Pulley wedge tensioner - For carriage (Y-axis) belt tension

Electronic Accessories

Cable (Interface)

13242G RS-232C cable - 25 pin (M) to 25 pin (M) - 5.0m (16ft) long
NO LONGER SUPPLIED

17255D RS-232C serial cable - 25 pin (M) to 25 pin (F) - 1.2m (3.9ft) long
NO LONGER SUPPLIED

17302A RS-232C serial cable - 25 pin (M) to 8 pin (M) DIN - 1.5m (4.9ft) long
NO LONGER SUPPLIED

24542G RS-232C serial cable - 25 pin (M) to 9 pin (F) - 3.0m (9.8ft) long - Used to connect to HP Vectra and IBM PC/AT compatibles

31391A RS-232C serial extension cable - 25 pin (M) to 25 pin (F) - 5.0m (16.4ft) long

5063-1256 IEEE-1284 Bi-Tronics parallel cable - DB-25 (M) connector (type A) to 36 pin Centronics (M) connector (type B) - 2.0m (6.6ft) long

5063-1257 IEEE-1284 Bi-Tronics parallel cable - DB-25 (M) connector (type A) to 36 pin Centronics (M) connector (type B) - 3.0m (9.8ft) long



Electronic Accessories

Cable (Interface)

C2913A	RS-232C serial cable - 25 pin (M) to 25 pin (F) - 1.2m (3.9ft) long NO LONGER SUPPLIED
C2950A	IEEE-1284 Bi-Tronics parallel cable - DB-25 (M) connector (type A) to 36 pin Centronics (M) connector (type B) - 2.0m (6.6ft) long
5063-1256	<i>New Part for C2950A</i>
C2951A	IEEE-1284 Bi-Tronics parallel cable - DB-25 (M) connector (type A) to 36 pin Centronics (M) connector (type B) - 3.0m (9.8ft) long
C2990A	IEEE-1284 Bi-Tronics parallel cable - DB-25 (M) (type A) to 36 pin (M) Centronics (type B) - 1.8m (6ft) long NO LONGER SUPPLIED
C2991A	IEEE-1284 Bi-Tronics parallel cable - DB-25 (M) (type A) to 36 pin (M) Centronics (type B) - 3.0m (10ft) long NO LONGER SUPPLIED

Memory (Product)

C3132A	4MB, 70nS, 36-bit SIMM memory module - For HP LaserJet 4P, 4+, 4V, 5, 5N, 5M, 5P, 5Si NO LONGER SUPPLIED
C3146-67901	<i>New Part for C3132A</i>
C3133A	8MB, 70nS, 36-bit SIMM memory module - For HP LaserJet 4P, 4+, 4V, 5, 5N, 5M, 5P, 5Si NO LONGER SUPPLIED
C3146-67901	<i>New Part for C3133A</i>
D2297A	16MB, 70nS, 36-bit parity SIMM memory module NO LONGER SUPPLIED
D3578A	32MB, 70nS, 36-bit parity SIMM memory module NO LONGER SUPPLIED

Memory (SIMM)

C3132-67901	4MB, 70nS, 36-bit parity SIMM memory module NO LONGER SUPPLIED
C3146-67901	<i>New Part for C3132-67901</i>
C3133-67901	8MB, 70nS, 36-bit parity SIMM memory module NO LONGER SUPPLIED
C3146-67901	<i>New Part for C3133-67901</i>
C3146-67901	16MB SIMM memory module
D2297-69001	16MB, 70nS, 36-bit SIMM memory module REQUIRES RETURN OF DEFECTIVE PART
D2297-63001	<i>New Part for D2297-69001</i>
D2298-69001	32MB, 70nS, 36-bit SIMM memory module REQUIRES RETURN OF DEFECTIVE PART
D3578-63001	<i>New Part for D2298-69001</i>
D3578-69001	32MB, 70nS, 36-bit parity SIMM memory module REQUIRES RETURN OF DEFECTIVE PART
D3578-63001	<i>New Part for D3578-69001</i>

PostScript

C3198-60151	PostScript SIMM
C4707A	Adobe PostScript level 2 upgrade kit - Includes postscript ROM SIMM, Windows/Mac driver software and documentation

Electronics/Power Supply

Cable

42	C3195-60056	Power supply cable - Has 12 pin (F) connectors - 9.5cm (3.7 inches) long NO LONGER SUPPLIED
43	C3195-60057	Ribbon cable assembly - Contains a 12 wire 82.6cm (32.5 inch) cable and a 14 wire 96.5cm (38 inch) cable - Connectors are a 28 pin (F) connector, three 6 pin (F) marked 'SVS', 'Bail', and 'Primer', a 4 pin (F), and a 4 pin (M)



Electronics/Power Supply

Fan

44 C3190-60137 Fan assembly

Firmware

C4705-60117 Code ROM SIMM (Revision R.01.12 firmware) - Plugs into socket on the main logic board

Front Panel

46 C3195-60038 Front (Control) panel and cable assembly - Includes function buttons and display

Motor

47 C3195-60009 Bail stepper motor - Used to drive the bail assembly

PC Board

48 C4705-69001 Main logic board - Includes integrated RS232-C (Serial) and bi-tronics/centronics (Parallel) interface ports
REQUIRES RETURN OF DEFECTIVE PART

C4705-60001 *New Part for C4705-69001*

Power Cord

8120-0698 Power cord (Black) - 18 AWG, 2.3m (7.5ft) long - Has straight (F) receptacle (For 220V/240V in the USA and Canada)

8120-1351 Power cord (Mint Gray) - 17 AWG, 2.3m (7.5ft) long - Has straight (F) receptacle (For 240V in the UK, Hong Kong, Singapore, Malaysia, and Brunei)

8120-1369 Power cord (Mint Gray) - 17 AWG, 2.0m (6.6ft) long - Has straight (F) receptacle (For 240V in Australia, New Zealand, and China)

8120-1378 Power cord (Jade Gray) - 18 AWG, 2.3m (7.5ft) long - Has straight (F) receptacle (For 120V in USA, Canada, Latin America, Korea, Taiwan, Thailand, Spain, Brazil, and Vietnam)

8120-1689 Power cord (Mint Gray) - 17 AWG, 2.0m (6.6ft) long - Has straight (F) receptacle (For 220V in Europe, Bangladesh, Indonesia, Pakistan, Burma, Sri Lanka, and Vietnam)

8120-2104 Power cord (Mint Gray) - 2.0m (6.6ft) long - Has straight (F) receptacle (For 220V in Switzerland)

8120-2956 Power cord (Mint Gray) - 2.0m (6.6ft) long - Has straight (F) receptacle (For 220V in Denmark)

8120-4211 Power cord (Mint Gray) - 17 AWG, 2.0m (6.6ft) long - Has straight (F) receptacle (For 240V in South Africa and India)

Power Supply

57 0950-2623 Switching power supply (Delta DPS-150ABA) - 100-240VAC input, 47-63Hz - Four DC outputs (5.15V, +12V, -12V, 24V), 158 watts

Sensor

58 C2858-60007 Optical primer sensor - Used to determine initial position of the primer assembly cam

59 C3195-60015 Sensor assembly (for lift-up windows)

Wiring Harness

60 C3195-60149 AC wiring harness - Includes power switch, AC receptacle, and connector

External Case Parts

Bin

61 C4705-60097 Media bin - Wire rack that mounts to the plotter stand legs and cross brace

Cover

62 C1633-00031 MIO slot access cover

63 C3195-00009 SIMM slot access cover - Metal cover that mounts to the back cover/panel on the electronic enclosure assembly

64 C3195-60039 Cover assembly - Metal center cover that lift-up viewing window mounts to - Includes 'T' shaped latches and mounting screws

65 C3195-60053 Back cover/panel - Metal cover for the electronic enclosure assembly
NO LONGER SUPPLIED

66 C4705-60088 Unicover assembly - Plastic cover which is used in place of the center cover, electrical cover assembly, SIMM cover, and SIMM barrier

67 C4705-60106 Left end cover

68 C4705-60114 Right end cover - Has cut outs for the control panel buttons lights and display - Does NOT include an overlay



External Case Parts

Cross-Brace

69 C3192-60001 Cross-brace - Main structure that extends between stand legs

Foot

70 C4696-60006 Foot assembly (includes casters)

Hardware

71 0624-0771 Plastite screw (threaded insert mold-in, Textron K40) - M4.0 x 0.7, 20mm long, Torx T15

Hardware Kit

72 C4704-60095 Hardware kit for printer stand - Includes screwdriver, screws, washers, and media bin retaining clips

Housing

73 C4705-60092 Electronic housing assembly (PC board enclosure)

Keypad

74 5041-1203 Power switch keycap (White)

Latch

75 C3195-40060 Center cover latch - Two 'T' shaped latches are used to connect ends of center cover to left and right end covers

Leg

76 C4696-60007 Leg assembly - Side support for the plotter - Does NOT include the foot assembly

Nameplate/Logo

77 C4705-00020 Nameplate - DesignJet 700

Overlay

78 C4705-60031 Front panel overlay (Self adhesive) - Shows the function of the front panel buttons and indicator lights (English)

79 C4705-60032 Front panel overlay (Self adhesive) - Shows the function of the front panel buttons and indicator lights (Korean)

80 C4705-60033 Front panel overlay (Self adhesive) - Shows the function of the front panel buttons and indicator lights (Taiwan)

81 C4705-60034 Front panel overlay (Self adhesive) - Shows the function of the front panel buttons and indicator lights (German)

82 C4705-60035 Front panel overlay (Self adhesive) - Shows the function of the front panel buttons and indicator lights (French)

83 C4705-60036 Front panel overlay (Self adhesive) - Shows the function of the front panel buttons and indicator lights (Spanish)

84 C4705-60037 Front panel overlay (Self adhesive) - Shows the function of the front panel buttons and indicator lights (Italian)

85 C4705-60038 Front panel overlay (Self adhesive) - Shows the function of the front panel buttons and indicator lights (Japan)

86 C4705-60039 Front panel overlay (Self adhesive) - Shows the function of the front panel buttons and indicator lights (Portuguese)

87 C4705-60040 Front panel overlay (Self adhesive) - Shows the function of the front panel buttons and indicator lights (Chinese)

Window

88 C4705-60087 Lift-up viewing window

Optional Interfaces

Interface (Module)

J4101-61011 External JetDirect 500X print server module (10Base-T and 100Base-T) - Connects between printer parallel port and LAN network. Does NOT include power module - (J4101A, J4101B)

Interface (Product)

90 J2550B EtherTwist (10Base-T) LAN interface board
NO LONGER SUPPLIED

91 J2552B LAN & LocalTalk interface - Has EtherTwist (10Base-T), ThinLAN (10Base-2), and LocalTalk (DIN-8) connectors
NO LONGER SUPPLIED

92 J2555B Token ring LAN interface board - DB-9 and RJ-45 connectors
NO LONGER SUPPLIED

J2590A External JetDirect LAN interface module with RJ-45 connector for EtherTwist (10Base-T) or 100VG/802.12 input and 3 parallel (DB-25) output connectors
NO LONGER SUPPLIED

J2591A External JetDirect LAN interface module and power module - Has EtherTwist (10Base-T) and ThinLAN (10Base-2) connectors
NO LONGER SUPPLIED



Optional Interfaces

Interface (Product)

J3258B	External JetDirect 170X LAN interface module - Interfaces a parallel printer to an ethernet 10Base-T (RJ-45) LAN
J3264A	External JetDirect 500X token ring interface module - Interfaces up to 3 parallel printers to a token ring (DB-9 or RJ-45) LAN
J3265A	External JetDirect 500X LAN interface module - Interfaces up to 3 parallel printers to an ethernet 10Base-T (RJ-45), 10Base2 (BNC), or 100Base-TX (RJ-45) LAN

Module

J2382-69003	External JetDirect LAN interface module with ethertwist (10Base-T) and ThinLAN (10BASE-2) connectors
J2383-61005	External token ring interface module - Has DB-9 connector
J2590-69001	External JetDirect LAN interface module with RJ-45 connector for ethertwist (10Base-T) or 100VG/802.12 input and 3 parallel (DB-25) output connectors REQUIRES RETURN OF DEFECTIVE PART
J2590-61011	<i>New Part for J2590-69001</i>
J2591-69001	External JetDirect LAN interface module with ethertwist (10Base-T) and ThinLAN (10BASE-2) connectors
J2592-69001	External JetDirect LAN interface module with ethertwist (10Base-T) connector REQUIRES RETURN OF DEFECTIVE PART
J2592-61001	<i>New Part for J2592-69001</i>
J2593-69001	External JetDirect LAN interface module with Ethertwist (10Base-T) and ThinLAN (10BASE-2) input connectors and 3 parallel (DB-25) output connectors - (part of J2593A)
J2594-69001	External JetDirect token ring interface module with DB-9 and RJ-45 input connectors and 3 parallel (DB-25) output connectors - (part of J2594A) REQUIRES RETURN OF DEFECTIVE PART
J2594-61011	<i>New Part for J2594-69001</i>
J3258-61011	External JetDirect LAN interface module with EtherTwist (10Base-T) connector - (J3258A, J3258B)
J4102-69011	External JetDirect LAN interface module with EtherTwist (10Base-T) connector - (J4102A, J4102B) REQUIRES RETURN OF DEFECTIVE PART
J4102-61011	<i>New Part for J4102-69011</i>

Module (Product)

J4101B	External JetDirect LAN interface module with EtherTwist (10Base-T/Base-TX) connector
J4102B	External JetDirect LAN interface module with EtherTwist (10Base-T) connector

PC Board (Interface)

109	J2550-69013	EtherTwist 10Base-T LAN interface board
110	J2552-69013	LAN and LocalTalk interface - EtherTwist (10Base-T), ThinLAN (10Base-2), and LocalTalk (DIN-8) connectors
111	J2555-69013	Token ring LAN interface board - DB-9 and RJ-45 connectors

Power Cord

8120-1351	Power cord (Mint Gray) - 17 AWG, 2.3m (7.5ft) long - Has straight (F) receptacle (For 240V in the UK, Hong Kong, Singapore, Malaysia, and Brunei)
8120-1369	Power cord (Mint Gray) - 17 AWG, 2.0m (6.6ft) long - Has straight (F) receptacle (For 240V in Australia, New Zealand, and China)
8120-1378	Power cord (Jade Gray) - 18 AWG, 2.3m (7.5ft) long - Has straight (F) receptacle (For 120V in USA, Canada, Latin America, Korea, Taiwan, Thailand, Spain, Brazil, and Vietnam)
8120-1689	Power cord (Mint Gray) - 17 AWG, 2.0m (6.6ft) long - Has straight (F) receptacle (For 220V in Europe, Bangladesh, Indonesia, Pakistan, Burma, Sri Lanka, and Vietnam)
8120-2104	Power cord (Mint Gray) - 2.0m (6.6ft) long - Has straight (F) receptacle (For 220V in Switzerland)
8120-2956	Power cord (Mint Gray) - 2.0m (6.6ft) long - Has straight (F) receptacle (For 220V in Denmark)
8120-4753	Power cord (Flint Gray) - 18 AWG, 2.3m (7.5ft) long - Has straight (F) receptacle (For 100V in Japan)
8120-6302	'Daisy chain' power cord (Dove Gray) - 18 AWG, 1.2m (4.0ft) long - Has C14 (M) plug for power input and C13 (F) plug for power output



Optional Interfaces

Power Module

0950-2372	Power supply module - 100-240VAC input, 47-63Hz, requires separate AC power cord - 5VDC output, 1A, 5 watts - For J2382/83A/B
0950-3169	Wall mount power supply module - 110-127V AC 57-63Hz input - 13V DC output at 300mA (USA, Canada) - For use with the J2592A external JetDirect LAN interface module
0950-3170	Power supply module - 209-253VAC input, 47-53Hz - 13VDC output, 300mA (Europe, Israel) - For use with the J2592A external JetDirect LAN interface module
0950-3171	Power supply module - 220-240VAC input, 47-53Hz - 13VDC output, 300mA (U.K., Hong Kong) - For use with the J2592A external JetDirect LAN interface module
0950-3172	Power supply module - 240VAC input, 47-53Hz - 13VDC output, 300mA (Australia) - For use with the J2592A external JetDirect LAN interface module
0950-3348	Wall mount power supply module (MEI-AH ED12006) - 110-127VAC input, 57-63Hz - 13VDC output, 800mA, 10.4 watts (for use in the United States and Canada) - For models J2590/91/93/94A, J2964A, J3258A/B, J3263/64/65A, J3282B, J4101A/B, J4102A/B
0950-3349	Wall mount power supply module (MEI-AH ED12007) - 230VAC input, 47-53Hz - 13VDC output, 800mA, 10.4 watts (for use in Europe and Israel) - For JetDirect/infrared interface models J2590/91/93/94A, J2964A, J3258A/B, J3263/64/65A, J3282B, J4101A/B, J4102A/B
0950-3350	Wall mount power supply module (MEI-AH ED12008) - 220-240VAC input, 47-53Hz - 13VDC output, 800mA, 10.4 watts (for use in the United Kingdom) - For JetDirect/infrared interfaces J2590/91/93/94A, J2964A, J3258A/B, J3263/64/65A, J3282B, J4101A/B, J4102A/B
0950-3351	Wall mount power supply module (MEI-AH ED12009) - 220VAC input, 47-63Hz - 13VDC output, 800mA, 10.4 watts (for use in South Korea) - For JetDirect/infrared interface models J2590/91/93/94A, J2964A, J3258A/B, J3263/64/65A, J3282B, J4101A/B, J4102A/B
0950-3352	Wall mount power supply module (MEI-AH ED12010) - 100VAC input, 47-63Hz - 13VDC output, 800mA, 10.4 watts (for use in Japan) - For JetDirect/infrared interface models J2590/91/93/94A, J2964A, J3258A/B, J3263/64/65A, J3282B, J4101A/B, J4102A/B
0950-3354	Wall mount power supply module (MEI-AH ED12010) - 220-250VAC input, 47-53Hz - 13VDC output, 800mA, 10.4 watts (for use in South Africa) - For JetDirect/infrared interface models J2590/91/93/94A, J2964A, J3258A/B, J3263/64/65A, J3282B, J4101A/B, J4102A/B
9100-5176	Wall mount power supply module (Leader Electronics 48130625HK) - 200VAC input, 48-52Hz - 13VDC output, 625mA (Hong Kong) - For JetDirect Modules and Infrared Interface Models J2590/91/93/94A, J2964A, J3258A/B, J3263/64/65A, J3282B, J4101A/B, J4102A/B
0950-3350	<i>New Part for 9100-5176</i>

Other Accessories

CD-ROM (Support)

C7769-90066	DesignJet support CD-ROM - Version A.04.01 - Has product information, user's manuals, service manuals, diagnostic software, test drawings, newsletters, and service notes
-------------	---

Cartridge

51645A	Black print cartridge (high capacity) - Prints approximately 840 pages based on 5% density on a 8 inch by 10 inch print area (for USA)
51645AA	Black print cartridge (high capacity) - Prints approximately 840 pages based on 5% density on a 8 inch by 10 inch print area (for Asia/Pacific)
51645AC	Black print cartridge (high capacity) - Prints approximately 840 pages based on 5% density on a 8 inch by 10 inch print area (for Canada)
51645AE	Black print cartridge (high capacity) - Prints approximately 840 pages based on 5% density on a 8 inch by 10 inch print area (for Europe)
51645AL	Black print cartridge (high capacity) - Prints approximately 840 pages based on 5% density on a 8 inch by 10 inch print area (for Latin America)
51645G	Black print cartridge (economy) - Prints approximately 415 pages based on 5% density on a 8 inch by 10 inch print area (for USA)
51645GA	Black print cartridge (economy) - Prints approximately 415 pages based on 5% density on a 8 inch by 10 inch print area (for Asia/Pacific)
51645GC	Black print cartridge (economy) - Prints approximately 415 pages based on 5% density on a 8 inch by 10 inch print area (for Canada)



Other Accessories

Cartridge

- 51645GE Black print cartridge (economy) - Prints approximately 415 pages based on 5% density on a 8 inch by 10 inch print area (for Europe)
- 51645GL Black print cartridge (economy) - Prints approximately 415 pages based on 5% density on a 8 inch by 10 inch print area (for Latin America)
- C6613AN Black print cartridges (High capacity) - (2 pack of 51645A) each prints approximately 840 pages based on 5% density on a 8 inch (20.3cm) by 10 inch (25.4cm) print area (for USA)
NO LONGER SUPPLIED

Cleaning Supplies

- C6247A DesignJet cleaning kit - Includes cleaning solution and 20 cleaning rags

Kit

- C4698A Color management kit - Includes pantone tables for Windows & Macintosh applications, Kodak precision profiles, Photoshop & IGC profiles in 4 disks, and color management user guide
NO LONGER SUPPLIED

Label

- C3195-00057 Safety label - Provides warning that encoder strip is sharp

Lubricant

- 6040-0854 Synthetic Oil (1/2oz Plastic Bottle - for lubricating the front and rear slider rods
- 6040-0855 Synthetic oil - 4oz (113g) plastic bottle

Maintenance Kit

- C3195-69166 Maintenance kit - Includes service station (spittoon) assembly, carriage (Y-Axis) motor, encoder strip, and lubricating oil
REQUIRES RETURN OF DEFECTIVE PART
- C3195-60166 *New Part for C3195-69166*

Manual

- 5959-9733 HP-GL/2 & HP RTL reference guide - Programming information, handbook for developers
- C4705-60023 DesignJet 700/750C Plus manual kit - Includes user's guide, quick reference guide, and front panel overlay (Taiwan)
NO LONGER SUPPLIED
- C4705-90000 DesignJet 700, 750C, 750C plus and 750CM service manual (2nd edition, August 1996) - Note: Coverage limited to C3195A, C3196A, C3198A, C3198B, C4705A, C4706A, C4708A, and C4709A

Manual Kit

- C4705-60021 DesignJet 700/750C Plus manual kit - Includes user's guide, quick reference guide, and front panel overlay (English)
- C4705-60022 DesignJet 700/750C Plus manual kit - Includes user's guide, quick reference guide, and front panel overlay (Korean)
NO LONGER SUPPLIED
- C4705-60024 DesignJet 700/750C Plus manual kit - Includes user's guide, quick reference guide, and front panel overlay (German)
NO LONGER SUPPLIED
- C4705-60025 DesignJet 700/750C Plus manual kit - Includes user's guide, quick reference guide, and front panel overlay (French)
NO LONGER SUPPLIED
- C4705-60026 DesignJet 700/750C Plus manual kit - Includes user's guide, quick reference guide, and front panel overlay (Spanish)
NO LONGER SUPPLIED
- C4705-60027 DesignJet 700/750C Plus manual kit - Includes user's guide, quick reference guide, and front panel overlay (Italian)
NO LONGER SUPPLIED
- C4705-60028 DesignJet 700/750C Plus manual kit - Includes user's guide, quick reference guide, and front panel overlay (Japanese)
NO LONGER SUPPLIED
- C4705-60029 DesignJet 700/750C Plus manual kit - Includes user's guide, quick reference guide, and front panel overlay (Portuguese)
NO LONGER SUPPLIED
- C4705-60030 DesignJet 700/750C Plus manual kit - Includes user's guide, quick reference guide, and front panel overlay (Chinese)
NO LONGER SUPPLIED



Other Accessories

Packaging

- C3195-00031 Repackaging kit - For stand/legs of plotter
- C3195-60113 Repackaging kit - For main plotter unit
NO LONGER SUPPLIED

Return Kit

- 5183-5268 Return kit with box and instructions - For returning defective Thermal InkJet (TIJ) 2.5 InkJet cartridges covered under the CREW program - For USA
- 5184-2833 Return kit with box and instructions - For returning defective Thermal InkJet (TIJ) 2.5 InkJet cartridges covered under the CREW program - For use outside of the USA

Software

- C6072-60281 Toolbox and driver software - HP-GL/2 and RTL drivers for Windows 3.1/95/98/NT 4.0 (all DesignJets), and toolbox software for Windows 95/NT 4.0 (Only for DesignJet 430/450C/455CA/1050C/1055CM) - On 3.5-inch 1.44MB floppy disks (English)
- C6072-60284 Toolbox and driver software - HP-GL/2 and RTL drivers for Windows 3.1/95/98/NT 4.0 (all DesignJets), and toolbox software for Windows 95/NT 4.0 (Only for DesignJet 430/450C/455CA/1050C/1055CM) - On 3.5-inch 1.44MB floppy disks (German)
- C6072-60285 Toolbox and driver software - HP-GL/2 and RTL drivers for Windows 3.1/95/98/NT 4.0 (all DesignJets), and toolbox software for Windows 95/NT 4.0 (Only for DesignJet 430/450C/455CA/1050C/1055CM) - On 3.5-inch 1.44MB floppy disks (French)
- C6072-60286 Toolbox and driver software - HP-GL/2 and RTL drivers for Windows 3.1/95/98/NT 4.0 (all DesignJets), and toolbox software for Windows 95/NT 4.0 (Only for DesignJet 430/450C/455CA/1050C/1055CM) - On 3.5-inch 1.44MB floppy disks (Spanish)
- C6072-60287 Toolbox and driver software - HP-GL/2 and RTL drivers for Windows 3.1/95/98/NT 4.0 (all DesignJets), and toolbox software for Windows 95/NT 4.0 (Only for DesignJet 430/450C/455CA/1050C/1055CM) - On 3.5-inch 1.44MB floppy disks (Italian)
- C6072-60301 HP-GL/2 driver software for AutoCAD - For DOS and Windows 3.1/95/NT 4.0 - On 3.5-inch 1.44MB floppy disks (English)
- C6072-60304 HP-GL/2 driver software for AutoCAD - For DOS and Windows 3.1/95/NT 4.0 - On 3.5-inch 1.44MB floppy disks (German)
- C6072-60305 HP-GL/2 driver software for AutoCAD - For DOS and Windows 3.1/95/NT 4.0 - On 3.5-inch 1.44MB floppy disks (French)
- C6072-60306 HP-GL/2 driver software for AutoCAD - For DOS and Windows 3.1/95/NT 4.0 - On 3.5-inch 1.44MB floppy disks (Spanish)
- C6072-60307 HP-GL/2 driver software for AutoCAD - For DOS and Windows 3.1/95/NT 4.0 - On 3.5-inch 1.44MB floppy disks (Italian)
- C6071-60368 ZEHRaster software for UNIX - Allows TIFF and JPEG printing on DesignJet 700 series, 1000 series, and CP series (Japanese)
- C7779-60040 ZEHRaster software for UNIX - Allows TIFF and JPEG printing on DesignJet 700 series, 1000 series, and CP series (Chinese)
- C7779-60041 ZEHRaster software for UNIX - Allows TIFF and JPEG printing on DesignJet 700 series, 1000 series, and CP series (English)
- C7779-60042 ZEHRaster software for UNIX - Allows TIFF and JPEG printing on DesignJet 700 series, 1000 series, and CP series (Korean)
- C7779-60043 ZEHRaster software for UNIX - Allows TIFF and JPEG printing on DesignJet 700 series, 1000 series, and CP series (Taiwanese)
- C7779-60044 ZEHRaster software for UNIX - Allows TIFF and JPEG printing on DesignJet 700 series, 1000 series, and CP series (German)
- C7779-60045 ZEHRaster software for UNIX - Allows TIFF and JPEG printing on DesignJet 700 series, 1000 series, and CP series (French)
- C7779-60046 ZEHRaster software for UNIX - Allows TIFF and JPEG printing on DesignJet 700 series, 1000 series, and CP series (Spanish)
- C7779-60047 ZEHRaster software for UNIX - Allows TIFF and JPEG printing on DesignJet 700 series, 1000 series, and CP series (Italian)



Other Accessories

Training Kit

- C3195+49A-60001 Self paced training kit for DesignJet 750C/755CM plotters - Includes service manual, NTSC format video (VHS), test and return envelope
- C3195+49A-60002 Self paced training kit for DesignJet 750C/755CM plotters - Includes service manual, PAL format video, test, and return envelope

Training Test

- C3195-94001 Additional self paced training test - Contains 1 test for DesignJet 750C, 755CM

Other Internal Parts

Bar

- C3195-60029 Cutter assembly enclosure bar - Mounts between left and right side plates of chassis (Mounting bar for the media guides)
NO LONGER SUPPLIED

Cover

- 189 C3195-40047 Housing cover (L-shaped) - Right side cover (Cap) for the power switch housing (or enclosing the power switch)

Cutter

- 190 C2858-60021 Cutter mechanism assembly - Auto cutter for rollfeed paper

Guide

- 191 C3195-40045 Media guide

Housing

- 192 C3180-40012 Switch housing (mount) - For protecting the power switch

Insulator

- 193 C3190-00016 Insulator - Mounts between the power supply and main cover panel of the electronic enclosure assembly
NO LONGER SUPPLIED

Primer

- 194 C4705-60109 Primer assembly - Mounts under the service station assembly on the left side of the plotter

Service Station

- C3195-69165 Service station assembly - For conditioning the ink cartridges when the carriage is in its home position
REQUIRES RETURN OF DEFECTIVE PART
- C3195-60165 *New Part for C3195-69165*

Shield

- 196 C3195-80005 RFI shield (Gasket) - Braided steel with adhesive strip attached to electronic housing
NO LONGER SUPPLIED
- 197 C4704-40050 SIMM module shield (Barrier) - Protective metal rectangular housing

Spittoon

- 198 C3195-60027 Spittoon assembly - Contains absorbers which hold excess ink from cartridges

Paper Drive Parts

Bail

- C7770-60273 Bail assembly - Mounting strip assembly for the starwheel mount assemblies (Not included) - Extends width of plotter (D-size)

Cable

- 242 C3195-60102 Ribbon cable with ferrite - Has 5 pin (F) connectors - 16.5cm (6.5 inches) long

Gear

- 243 C1633-40019 Overdrive gear cluster

Gear Assembly

- 244 C4705-60089 Clutch / overdrive gear assembly



Paper Drive Parts

Motor

245 C3195-60009 Bail stepper motor - Used to drive the bail assembly

Motor/Gear

246 C4705-60068 Paper (X-axis) drive motor (includes helical drive gear - NOTE: motor and gear are only sold as a set)

Overdrive Assy

247 C4705-60121 Overdrive assembly (D) - Includes roller, enclosure, bushings

Platen

248 C3195-60173 Entry Platen Assembly - Cover/guide that is next to the paper drive (Platen) roller

Roller

249 C4699-60042 Paper drive (Platen) roller assembly - Long gear driven roller - Includes roller and mark encoder

Sensor

250 C3190-60140 Media sensor mechanical assembly - Includes, edge measuring and secondary levelers, media sensor and holder

Starwheel Mount

251 C4713-60035 Starwheel mount assembly - Includes cover, body, spring and two starwheels

Paper and Other Media

Film (Clear)

C3876A Clear film (4 mil) - 61cm (24in) x 22.9m (75ft) roll

Film (Glossy)

C1829A High-gloss white film - A1 size (59.4cm x 84.1cm) - 125 sheets
NO LONGER SUPPLIED

C1827A High-gloss white film - Architectural D size (24 x 36-inches) - 100 sheets
NO LONGER SUPPLIED

C3886A High gloss white film (4 mil) - 61cm (24in) x 30.5m (100ft) roll

Film (Matte)

51642C Polyester matte film - B size (11 x 17-inches) - 40 sheets
NO LONGER SUPPLIED

51642A *New Part for 51642C*

51642G Polyester matte film - D size (22 x 34-inches) - 40 sheets
NO LONGER SUPPLIED

51642A *New Part for 51642G*

51642H Polyester matte film - A1 size (59.4cm x 84.1cm) - 40 sheets
NO LONGER SUPPLIED

51642A Polyester matte film - 61cm (24in) x 36.6m (120ft) roll

51642J Polyester matte film - Architectural D size (24 x 36-inches) - 40 sheets
NO LONGER SUPPLIED

51642A *New Part for 51642J*

Paper

C7923A Basic Heavyweight Paper - 61cm (24in) x 30.5m (100ft) (USA and Asia/Pacific)

C7929A Super Heavyweight Paper - 61cm (24in) x 22.9m (75ft) (USA and Asia/Pacific)

C3853A Opaque bond paper - D size (22 x 34-inches) - 100 sheets
NO LONGER SUPPLIED

C3857A Opaque bond paper - A1 size (59.4cm x 84.1cm) - 125 sheets
NO LONGER SUPPLIED

C3851A Opaque bond paper - 61cm (24in) x 45.7m (150ft) roll
NO LONGER SUPPLIED

C3855A Opaque bond paper - Architectural D size (24 x 36-inches) - 100 sheets
NO LONGER SUPPLIED

C1860A *New Part for C3855A*



Paper and Other Media

Paper (Bright White)

C1860A Bright white InkJet paper - 61cm (24in) x 45.7m (150ft) roll

Paper (Coated)

C8281A Basic Coated Paper - 61cm (24in) x 45.7m (150ft) (USA and Asia/Pacific)

C1831A Coated paper - D size (22 x 34-inches) - 100 sheets
NO LONGER SUPPLIED

C1835A Coated paper - A1 size (59.4cm x 84.1cm) - 125 sheets
NO LONGER SUPPLIED

C1833A Coated paper - Architectural D size (24 x 36-inches) - 100 sheets
NO LONGER SUPPLIED

C3880A Heavyweight coated paper (6 mil) - 61cm (24in) x 30.5m (100ft) roll
NO LONGER SUPPLIED

C6019B Coated paper (98 gsm) - 61cm (24in) x 45.7m (150ft) roll (USA, Canada, and Latin America)

C6021B Heavyweight coated paper - 61cm (24in) x 30.5m (100ft) roll (USA, Canada, and Latin America)
NO LONGER SUPPLIED

C6029C Heavyweight coated paper - 61cm (24in) x 30.5m (100ft) roll - For regular or UV resistant ink

C1830A Coated paper - E size (34 x 44-inches) - 100 sheets
NO LONGER SUPPLIED

Paper (Glossy)

C8315A High Gloss Photo Paper - 61cm (24in) x 30.5m (100ft) (USA and Asia/Pacific)

C3882A High gloss photo paper - 61cm (24in) x 30.5m (100ft) roll

Paper (Photo)

C8310A Basic Photo Satin paper - 61cm (24in) x 30.5m (100ft) (USA and Asia/Pacific)

Paper (Semi-Glossy)

C3884A Semi-gloss photo paper - 61cm (24in) x 30.5m (100ft) roll
NO LONGER SUPPLIED

Paper (Tracing)

C3869A Natural tracing paper - 61cm (24in) x 45.7m (150ft) roll

Paper (Translucent)

C3891A Translucent bond paper - D size (22 x 34-inches) - 100 sheets
NO LONGER SUPPLIED

C3893A Translucent bond paper - A1 size (59.4cm x 84.1cm) - 125 sheets
NO LONGER SUPPLIED

C3860A Translucent bond paper - 61cm (24in) x 45.7m (150ft) roll

Tape Cartridge

305422-001 Universal Cleaning Cartridge (Orange color) - For Linear Tape Open (LTO) Ultrium - NOTE: for HP Ultrium drives that shipped after January 2002 and for older drives with a firmware upgrade

C7978-60010 Universal Cleaning Cartridge (Orange color) - For Linear Tape Open (LTO) Ultrium - NOTE: for HP Ultrium drives that shipped after January 2002 and for older drives with a firmware upgrade - (C7978A)

C7978A Universal Cleaning Cartridge (Orange color) - For Linear Tape Open (LTO) Ultrium - NOTE: for HP Ultrium drives that shipped after January 2002 and for older drives with a firmware upgrade

C7978AR Universal Cleaning Cartridge (Orange color) - For Linear Tape Open (LTO) Ultrium - NOTE: for HP Ultrium drives that shipped after January 2002 and for older drives with a firmware upgrade

C7979-60010 Legacy Cleaning Cartridge - For Linear Tape Open (LTO) Ultrium - (C7979A)
NO LONGER SUPPLIED

C7978-60010 *New Part for C7979-60010*

C7979A Legacy Cleaning Cartridge - For Linear Tape Open (LTO) Ultrium



Paper and Other Media

Vellum

C3864A	Vellum (75 gsm) - D size (22 x 34-inches), 20 lb, 3.0 mil - 100 sheets NO LONGER SUPPLIED
C3862A	Vellum - 61cm (24in) x 45.7m (150ft) roll
C3866A	Vellum (75 gsm) - Architectural D size (24 x 36-inches), 20 lb, 3.0 mil - 100 sheets NO LONGER SUPPLIED
C3862A	<i>New Part for C3866A</i>

Pincharm Assembly Parts

Bushing

252	C1633-40082	Pincharm spring retaining bushing
-----	-------------	-----------------------------------

Cam

253	C2847-20005	Pinch arm bar cam (D-size) - Long rod from left to right side of printer - Used to lift the pinch arms
-----	-------------	--

Lift Assembly

254	C3195-60116	Pincharm lift assembly - Does NOT include pincharm bar cam - Includes pinch wheel manual lift handle, spring, sensor, rocker plate, cam drive, cam journals, wire linkages, nuts, screws, and washer
-----	-------------	--

Pincharm

255	C4705-60091	Pincharm assembly - Curved black plastic plate with 4 small rollers (Does NOT include spring or bushing)
-----	-------------	--

Spring

256	C1633-80005	Compression spring between pincharm assembly and bushing
-----	-------------	--

Roll Feed Parts

Brake/Housing

257	C4704-60199	Brake/housing assembly (on right side) - Accepts the handle end of the spindle rod assembly - Includes the 2 housing pieces, 2 brake shoes, brake gear, brake lever, and springs
-----	-------------	--

Cover

258	C4705-60084	Rollfeed access cover - Opens forward to allow access to paper spindle assembly - Includes cover and springs
-----	-------------	--

End Cap

259	C2858-40043	Spindle end cap (small) (or core spacer) - Removes for loading the media roll
260	C3172-40006	Spindle end cap (large)

Housing

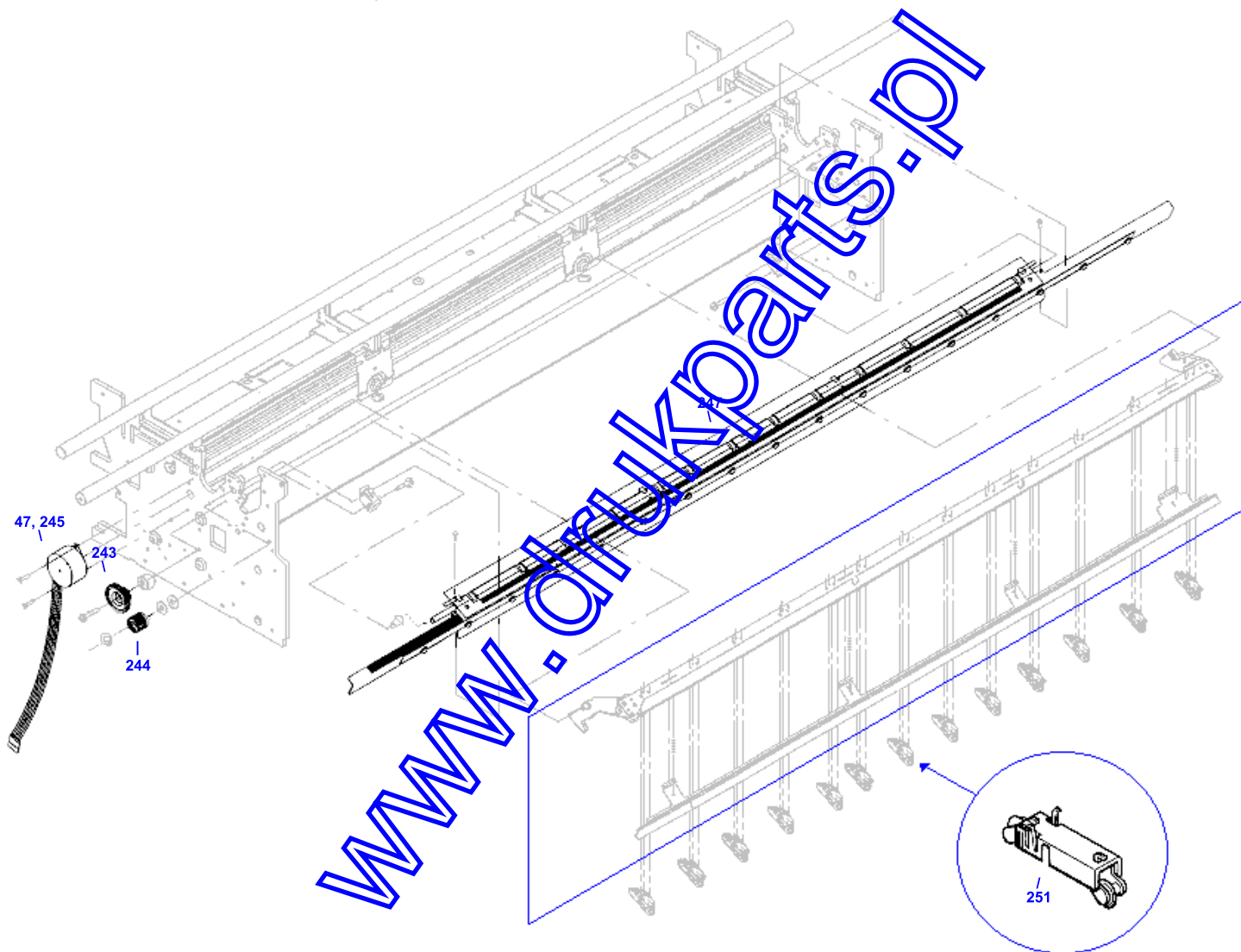
261	C4704-60082	Housing assembly (on left side)
-----	-------------	---------------------------------

Spindle Kit

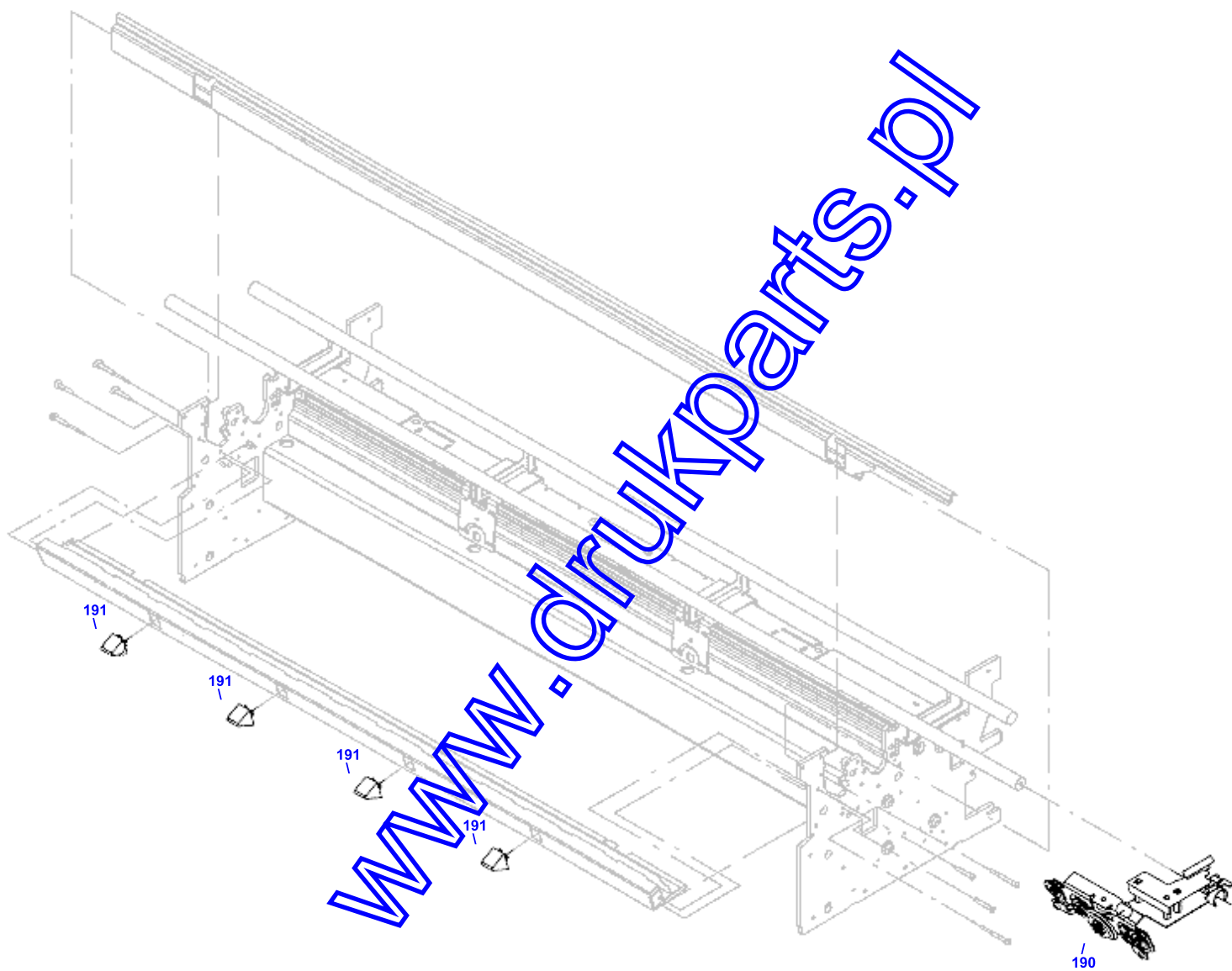
262	C2847-60093	Rollfeed spindle rod assembly (D-size) - Includes spindle and end caps
263	C3172-60003	Rollfeed spindle rod assembly (D-size) - Includes spindle and end caps - Special unit for use in China
264	C3172A	D/A1 rollfeed spindle rod assembly for DesignJet 6xx/7xx - Includes spindle and end caps

www.drukparts.nl

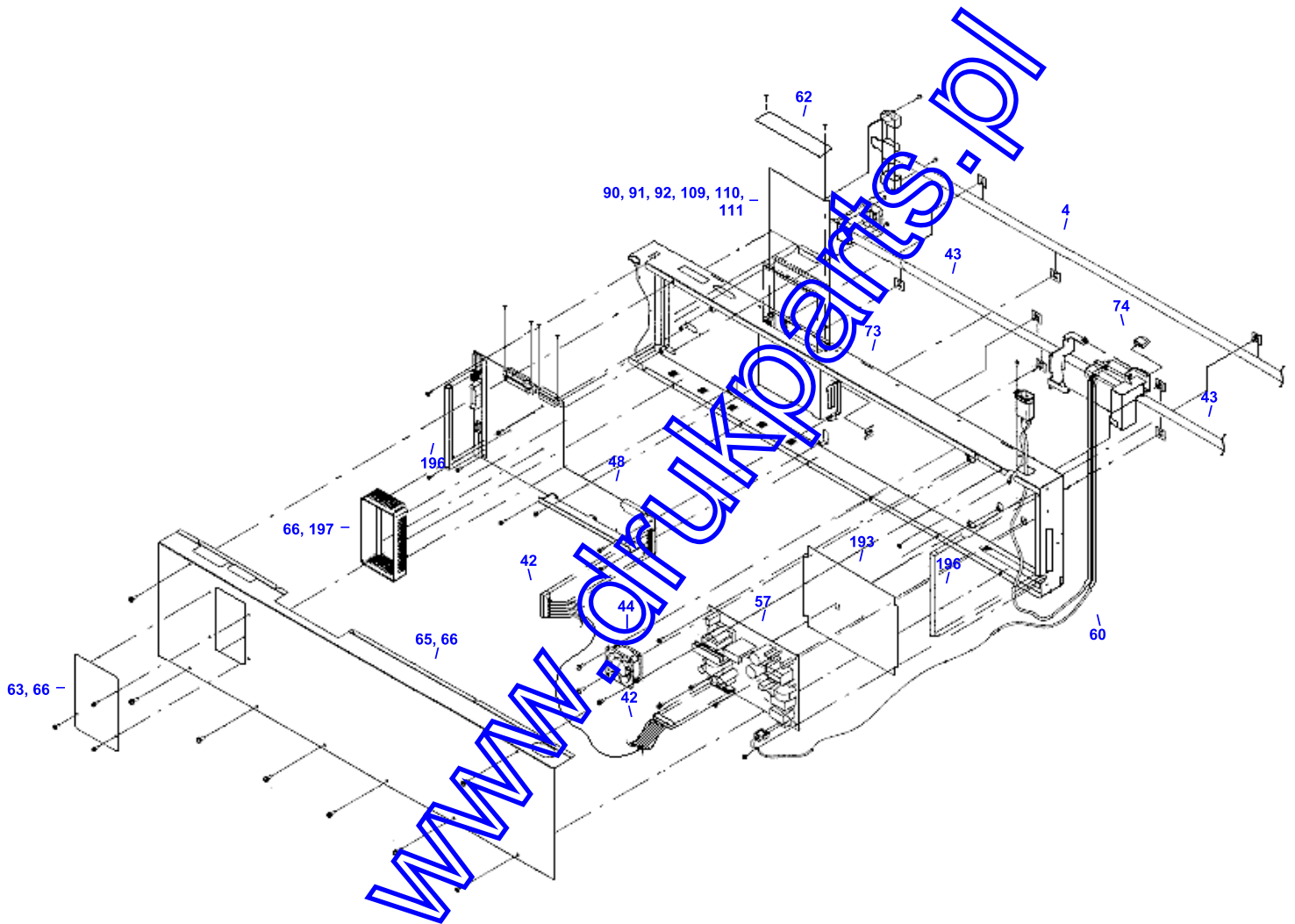
Bail and Overdrive



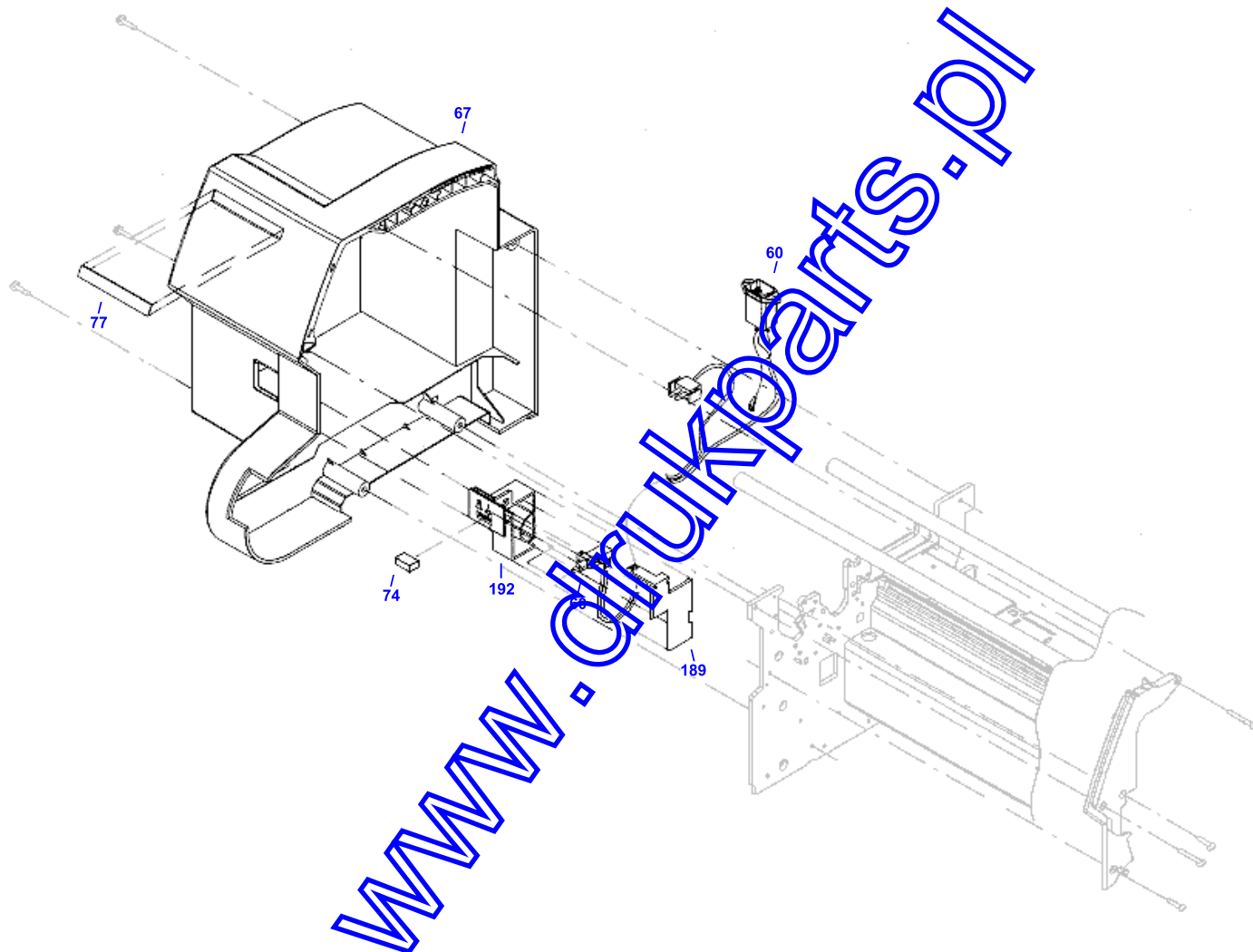
Cutter Assembly



Electronics Enclosure

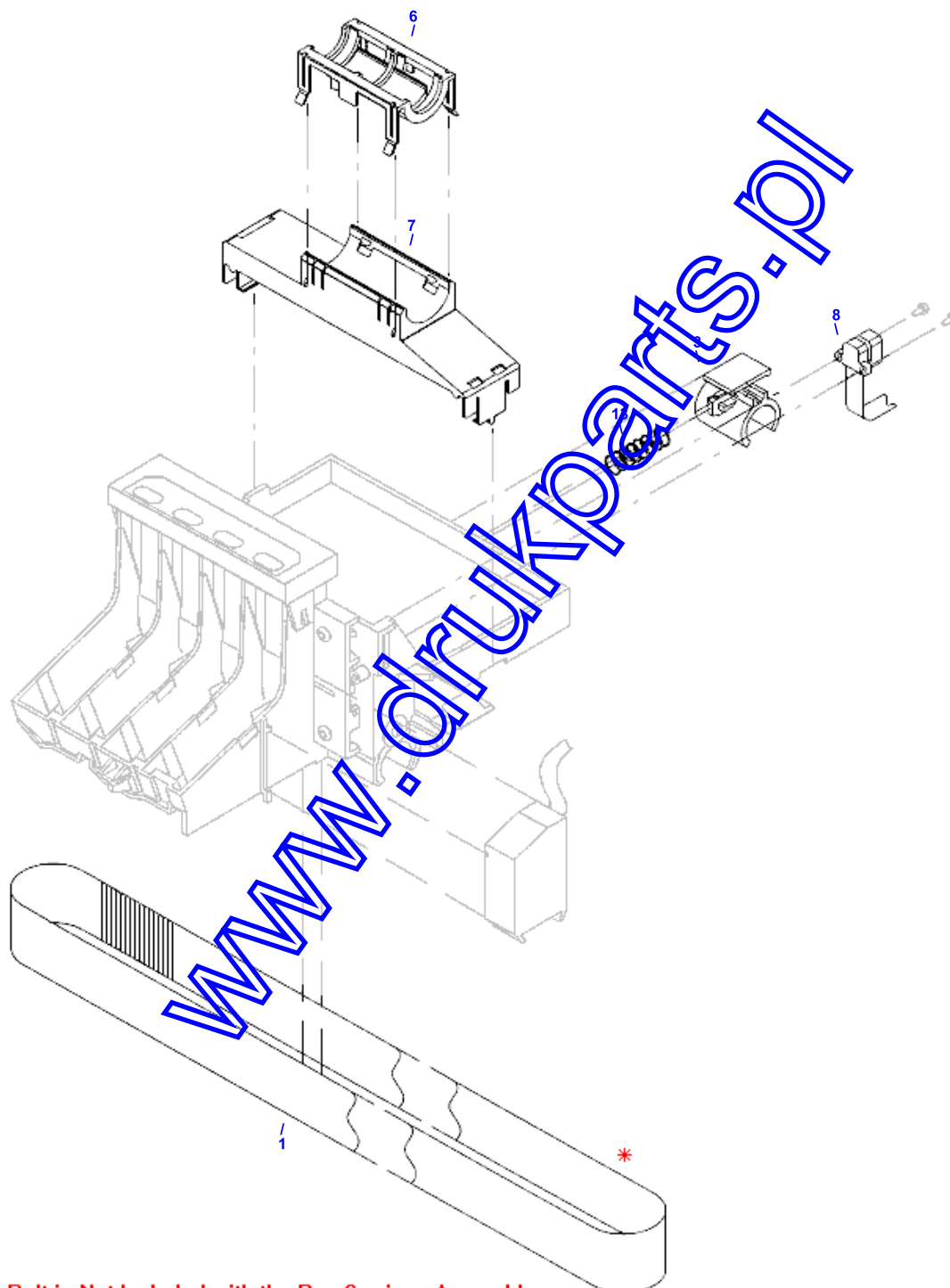


Left End Cover



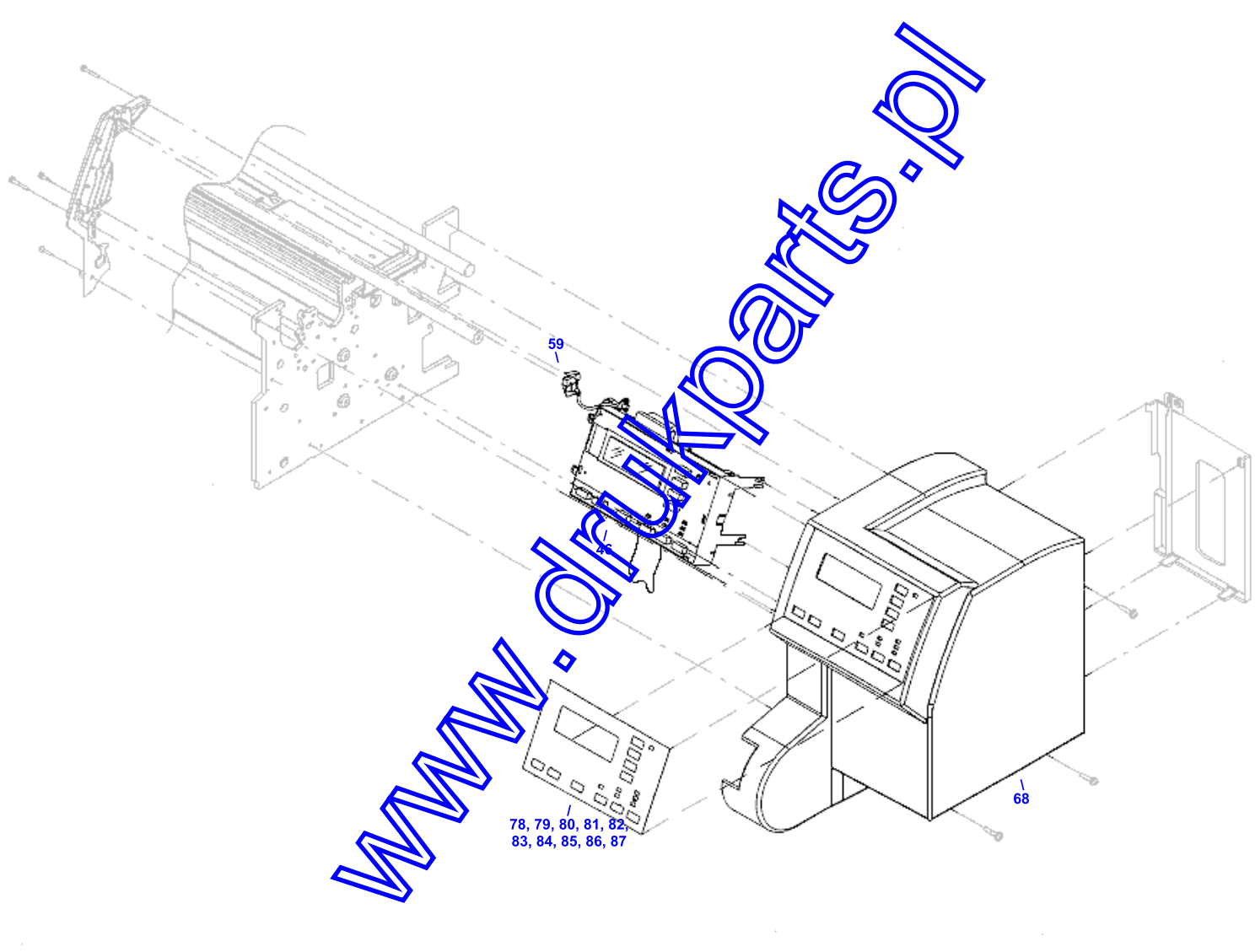
Pen Carriage Assembly

Pen Carriage Assembly - 5

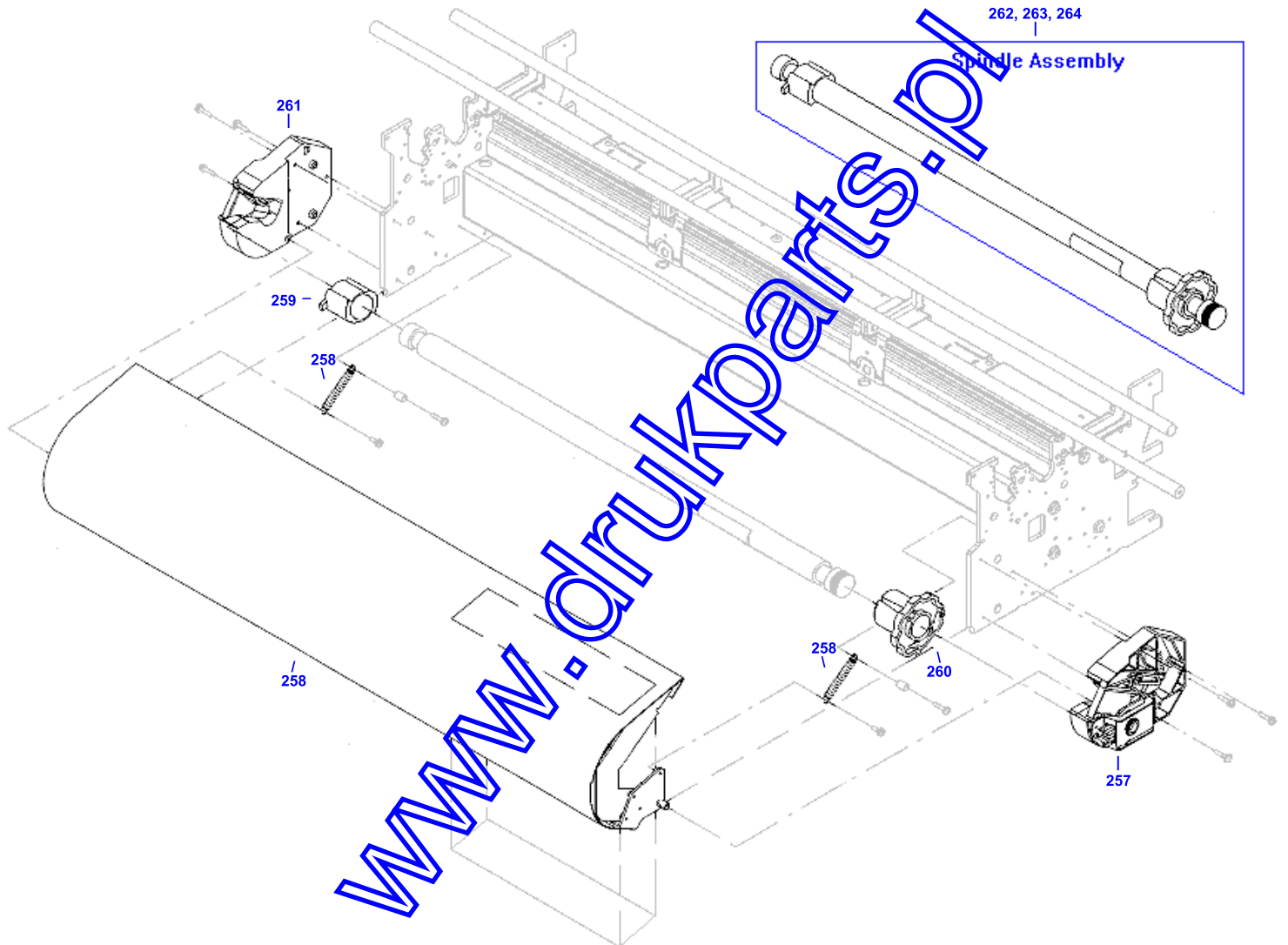


* Note: Belt is Not Included with the Pen Carriage Assembly

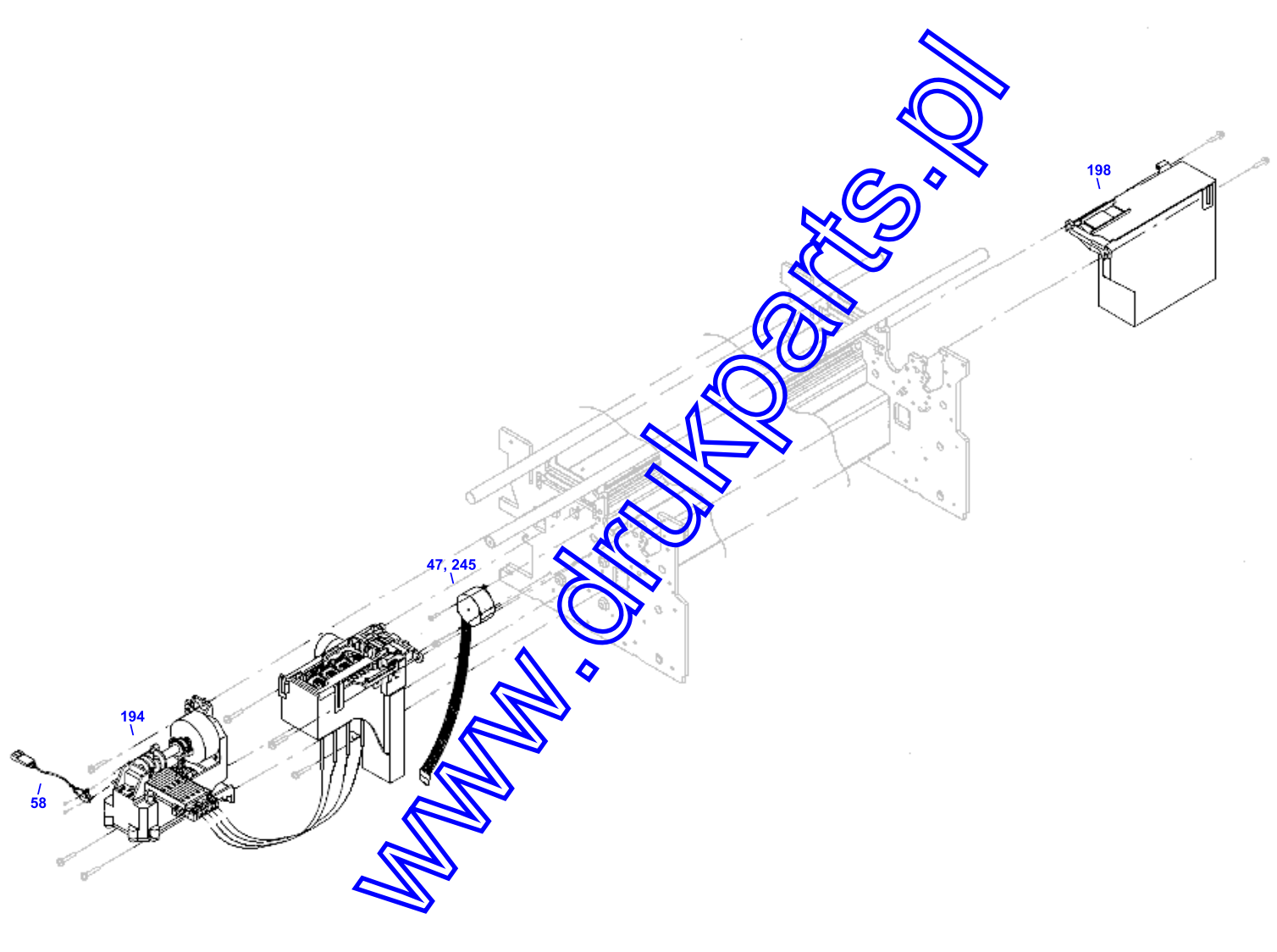
Right End Cover



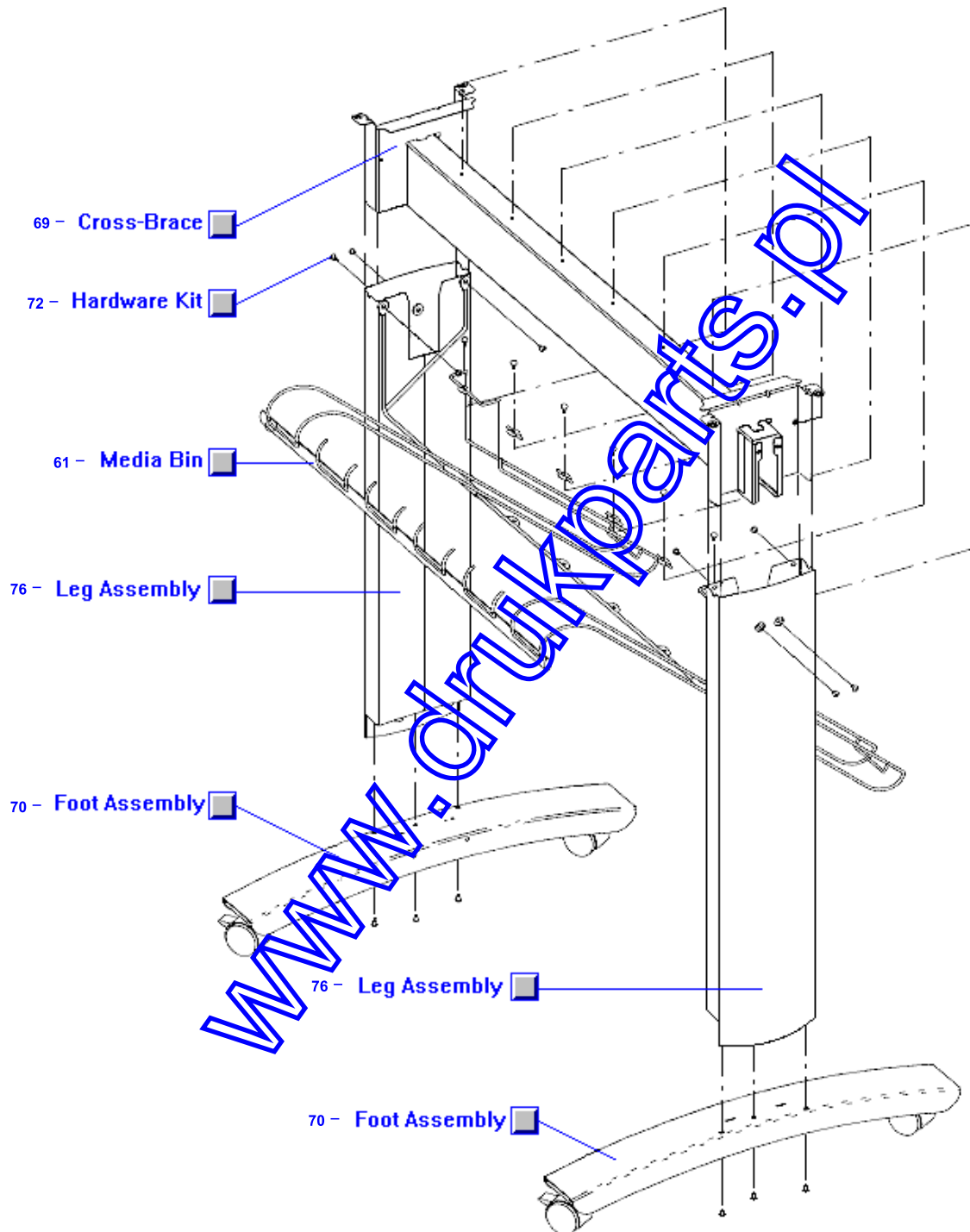
Rollfeed



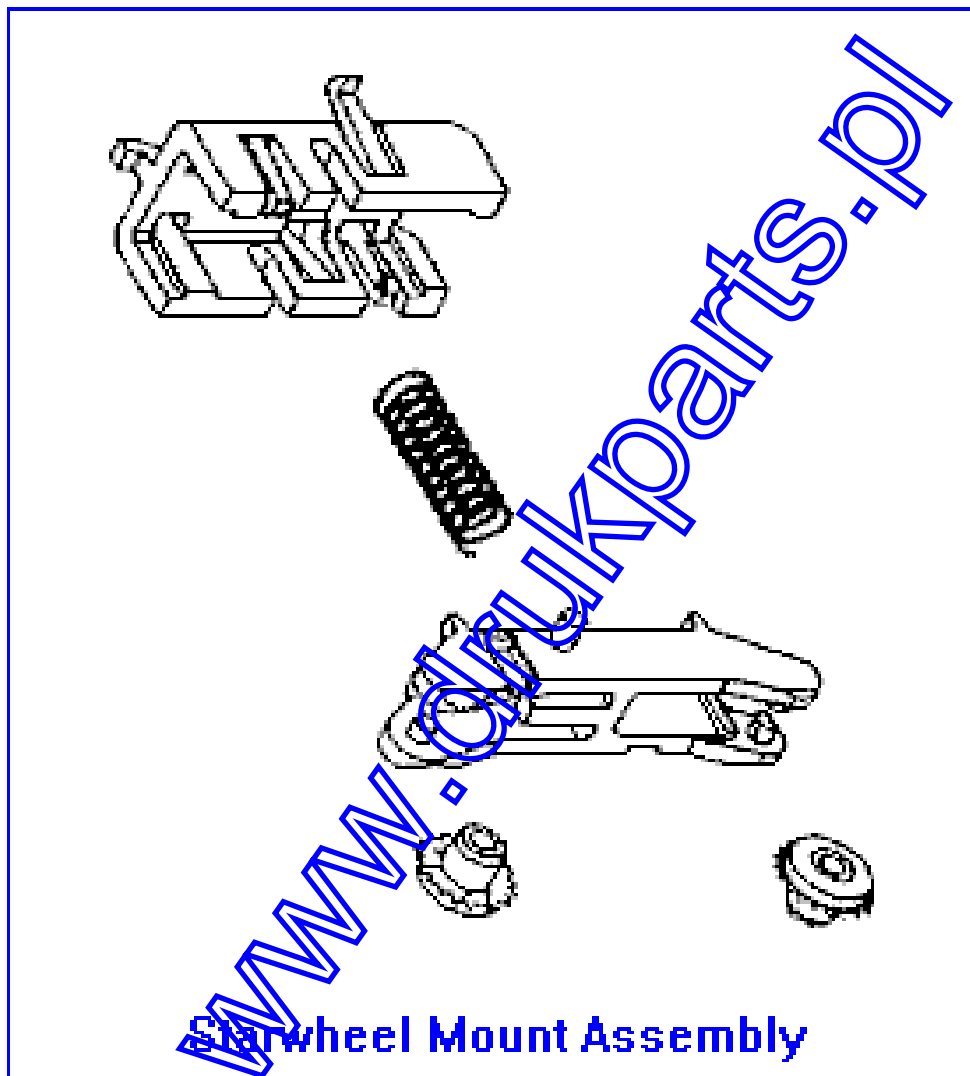
Service Station and Primer



Stand

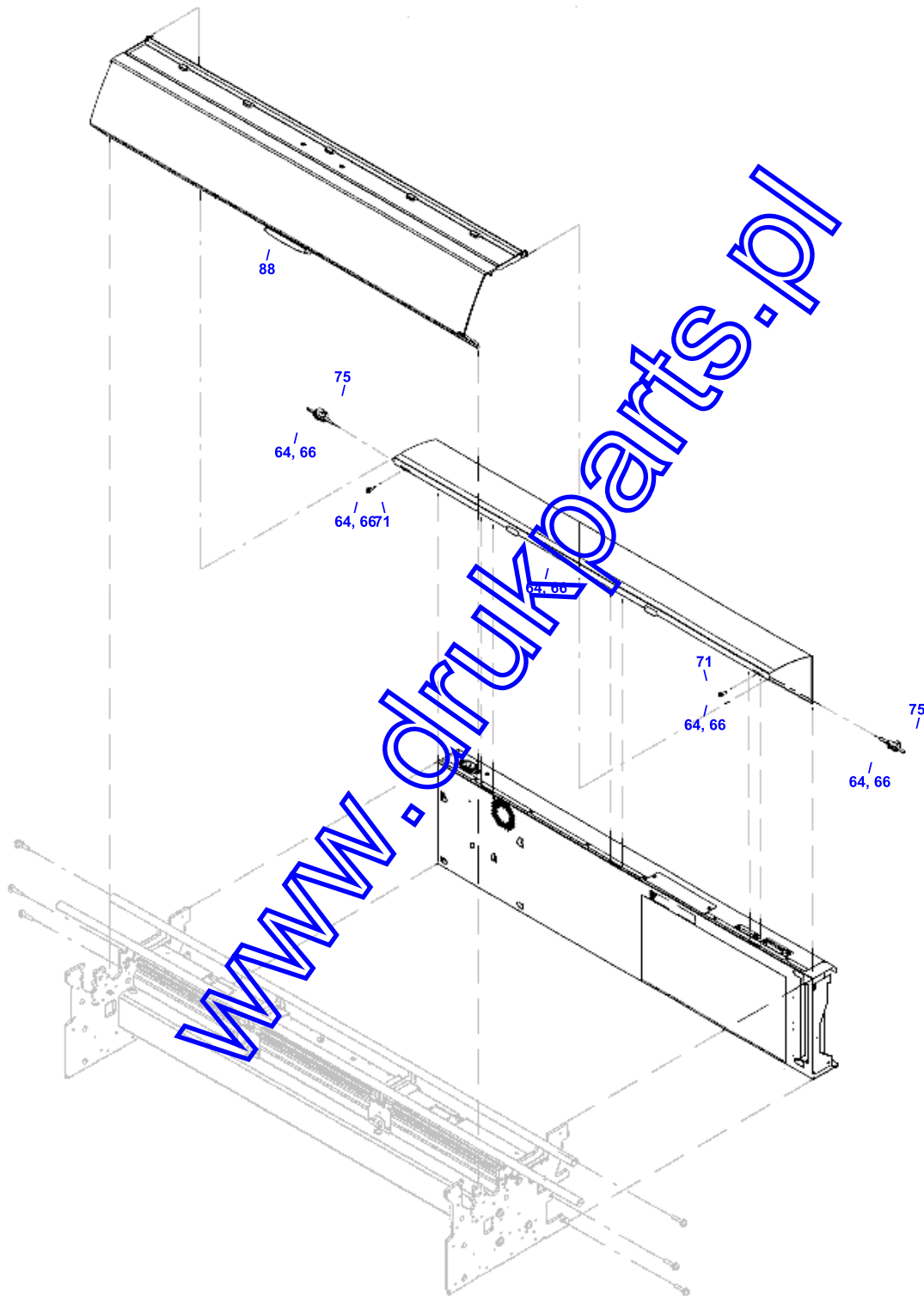


Starwheel Mount Assembly

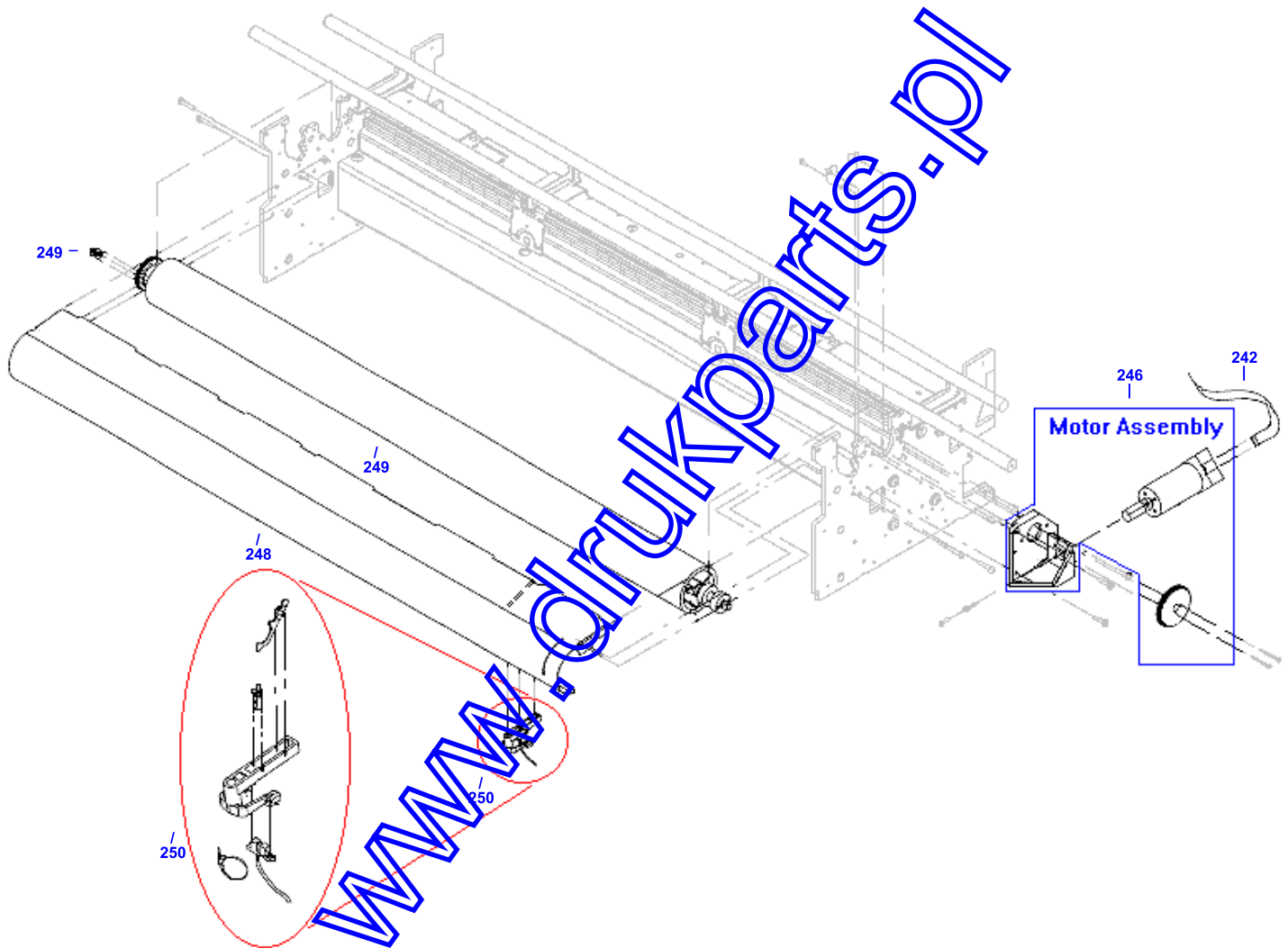


251

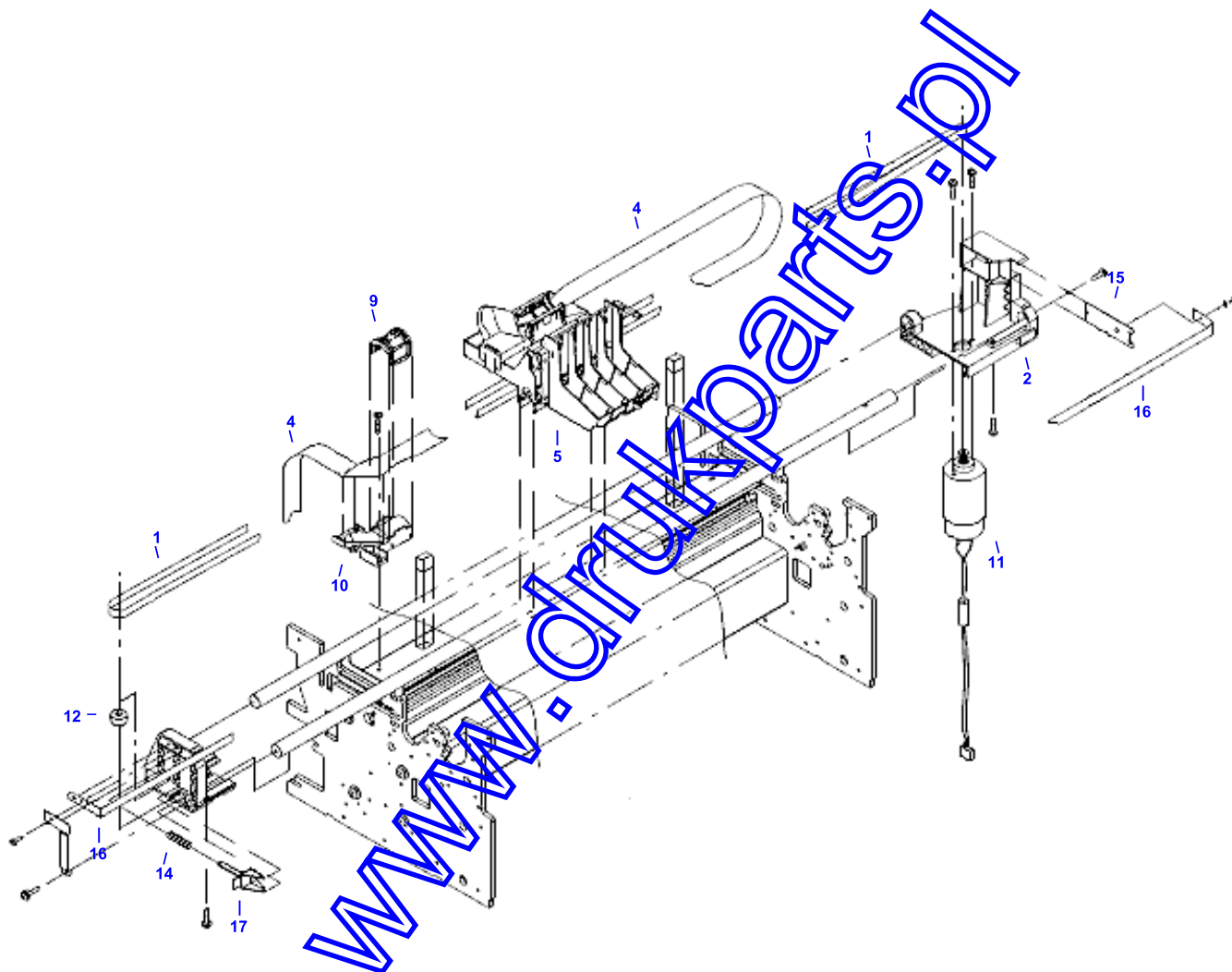
Window and Back Cover



X-Axis Drive



Y-Axis Drive





HP Parts Reference Guide

<http://www.hp.com/go/parts>

HP PartSurfer

<http://partsurfer.hp.com>

HP Parts Ordering Information

<http://www.hp.com/go/hpparts>

HP Parts Questions/Comments

<http://partsurfer.hp.com/contactus.htm>

www.drukparts.pl