



Carriage Drive Parts

Belt

- 1500-0855 'Y' axis drive belt
- 2 1500-0856 Carriage belt
NO LONGER SUPPLIED

Bracket

- 3 07575-40125 Drive-tensioner bracket - For pen carriage drive belt tensioning wedge
- 4 C1633-60029 Y-drive assembly bracket
NO LONGER SUPPLIED
- 5 C2858-00007 Encoder spring bracket
NO LONGER SUPPLIED

Bushing

- 6 C1633-20034 Bushing for reduction pulley
- 7 C2858-40016 Carriage bushing - Supports front of carriage on slider rod
NO LONGER SUPPLIED
- 8 C2858-40017 Rear slider rod bushing (Spring loaded) - Slides into the rear center of the carriage assembly

Cable

- 9 C2858-60024 Carriage assembly trailing cable
NO LONGER SUPPLIED

Carriage

- 10 C2858-60023 Pen carriage assembly - Drafting 'Head' assembly (Holds the four ink cartridges)
NO LONGER SUPPLIED

Clamp

- 11 07575-40013 Left belt clamp - Attaches carriage belt to carriage
NO LONGER SUPPLIED
- 12 07575-40014 Right belt clamp - Attaches carriage belt to carriage
NO LONGER SUPPLIED

Encoder

- 13 C2858-60010 Linear encoder IC - Detects carriage position as it moves along encoder strip
NO LONGER SUPPLIED

Motor

- 14 C2847-60221 Motor assembly - Includes power cable
NO LONGER SUPPLIED

Pulley

- 15 07570-60105 Idler pulley - For main drive belt
- 16 07570-60112 Idler drive pulley - Applies tension to the pen carriage drive belt (small belt)
- C3170-60009 Reduction pulley - Between the motor belt and carriage belt
NO LONGER SUPPLIED

Spring

- 18 1460-2061 Extension spring - Zinc plated music wire, 0.875in long, 0.187in OD, 0.020in wire diameter, 1.8 in/lb rate - For pen carriage drive belt pulley tensioning wedge
NO LONGER SUPPLIED
- 19 C1633-80014 Compression spring - For the rear bushing on the carriage
- 20 C2858-00006 Encoder spring
NO LONGER SUPPLIED

Wedge

- 21 07550-40104 Tensioning wedge (cam tensioner) - For the pen carriage drive belt pulley
NO LONGER SUPPLIED



Electronic Accessories

Cable (Interface)

17255D	RS-232C serial cable - 25 pin (M) to 25 pin (F) - 1.2m (3.9ft) long NO LONGER SUPPLIED
17302A	RS-232C serial cable - 25 pin (M) to 8 pin (M) DIN - 1.5m (4.9ft) long NO LONGER SUPPLIED
24540-80010	Centronics (parallel) cable - 36 pin (M) to 25 pin (M) - 2.0m (6.6ft) long
24542G	RS-232C serial cable - 25 pin (M) to 9 pin (F) - 3.0m (9.8ft) long - Used to connect to HP Vectra and IBM PC/AT compatibles
5063-1256	IEEE-1284 Bi-Tronics parallel cable - DB-25 (M) connector (type A) to 36 pin Centronics (M) connector (type B) - 2.0m (6.6ft) long
5063-1257	IEEE-1284 Bi-Tronics parallel cable - DB-25 (M) connector (type A) to 36 pin Centronics (M) connector (type B) - 3.0m (9.8ft) long
C2913A	RS-232C serial cable - 25 pin (M) to 25 pin (F) - 1.2m (3.9ft) long NO LONGER SUPPLIED
C2950A	IEEE-1284 Bi-Tronics parallel cable - DB-25 (M) connector (type A) to 36 pin Centronics (M) connector (type B) - 2.0m (6.6ft) long
5063-1256	<i>New Part for C2950A</i>
C2951A	IEEE-1284 Bi-Tronics parallel cable - DB-25 (M) connector (type A) to 36 pin Centronics (M) connector (type B) - 3.0m (9.8ft) long
C2990A	IEEE-1284 Bi-Tronics parallel cable - DB-25 (M) (type A) to 36 pin (M) Centronics (type B) - 1.8m (6ft) long NO LONGER SUPPLIED
C2991A	IEEE-1284 Bi-Tronics parallel cable - DB-25 (M) (type A) to 36 pin (M) Centronics (type B) - 3.0m (10ft) long NO LONGER SUPPLIED

Memory (Product)

C2065A	4MB, 80nS, 36-bit SIMM memory module - For HP LaserJet III Si, 4/4M, 4Si/MX NO LONGER SUPPLIED
C2066A	8MB, 80nS, 36-bit SIMM memory module - For HP LaserJet III Si, 4/4M, 4Si/MX

Memory (SIMM)

D2152-69001	8MB, 80nS, 36-bit SIMM memory module REQUIRES RETURN OF DEFECTIVE PART
D2152-63001	<i>New Part for D2152-69001</i>
D2156-69001	4MB, 80nS, 36-bit SIMM memory module REQUIRES RETURN OF DEFECTIVE PART
D2156-63001	<i>New Part for D2156-69001</i>
D3578-69001	32MB, 70nS, 36-bit parity SIMM memory module REQUIRES RETURN OF DEFECTIVE PART
D3578-63001	<i>New Part for D3578-69001</i>

PostScript

C2882-60001	Adobe's PostScript (Level 2) SIMM module NO LONGER SUPPLIED
-------------	----------------------------------------------------------------

Electronics/Power Supply

Bracket

C1633-40064	Media sensor mounting bracket
-------------	-------------------------------

Cable

C1633-60014	Cable assembly with ferrite - 18 pin (F) connector to four cables - Other connectors are two 4 pin (F), one 4 pin (M), and one 6 pin (F) - Overall length is 93cm (37.8 inches) NO LONGER SUPPLIED
C2858-60011	Cable harness assembly which connects the main logic board to the primer assembly, the primer sensor, the drop sensor, and the bail sensor cable NO LONGER SUPPLIED



Electronics/Power Supply

Control Panel

42 C2847-60087 Control panel assembly - Includes ribbon cable
NO LONGER SUPPLIED

Ferrite Assembly

43 9170-1535 Split ferrite - Installed inside electronics enclosure
NO LONGER SUPPLIED

Firmware

44 C2858-60162 ROM SIMM (Version 5.2) - Plugs into main logic board
NO LONGER SUPPLIED

IC ROM

45 1818-5637 EEPROM (U42) - On main logic board
NO LONGER SUPPLIED

Insulator

46 C1633-00080 Power supply insulator (Bottom)
NO LONGER SUPPLIED

47 C2847-00019 Power supply insulator (Top) - Installed over the power supply
NO LONGER SUPPLIED

PC Board

48 0950-2417 Power supply board
NO LONGER SUPPLIED

49 C2858-60105M Interconnect board

50 C2858-69207 Main logic board
NO LONGER SUPPLIED

Power Cord

8120-0698 Power cord (Black) - 18 AWG, 2.3m (7.5ft) long - Has straight (F) receptacle (For 220V/240V in the USA and Canada)

8120-1351 Power cord (Mint Gray) - 17 AWG, 2.3m (7.5ft) long - Has straight (F) receptacle (For 240V in the UK, Hong Kong, Singapore, Malaysia, and Brunei)

8120-1369 Power cord (Mint Gray) - 17 AWG, 2.0m (6.6ft) long - Has straight (F) receptacle (For 240V in Australia, New Zealand, and China)

8120-1378 Power cord (Jade Gray) - 18 AWG, 2.3m (7.5ft) long - Has straight (F) receptacle (For 120V in USA, Canada, Latin America, Korea, Taiwan, Thailand, Spain, Brazil, and Vietnam)

8120-1689 Power cord (Mint Gray) - 17 AWG, 2.0m (6.6ft) long - Has straight (F) receptacle (For 220V in Europe, Bangladesh, Indonesia, Pakistan, Burma, Sri Lanka, and Vietnam)

8120-2104 Power cord (Mint Gray) - 2.0m (6.6ft) long - Has straight (F) receptacle (For 220V in Switzerland)

8120-2956 Power cord (Mint Gray) - 2.0m (6.6ft) long - Has straight (F) receptacle (For 220V in Denmark)

8120-4211 Power cord (Mint Gray) - 17 AWG, 2.0m (6.6ft) long - Has straight (F) receptacle (For 240V in South Africa and India)

Receptacle

59 C1633-60020 AC power receptacle assembly - Includes receptacle, wires, grounding lug, and socket to power supply
NO LONGER SUPPLIED

Sensor

60 C2858-60007 Optical primer sensor - Used to determine initial position of the primer assembly cam

Switch

61 C2847-60044 Power switch assembly - Includes cable
NO LONGER SUPPLIED

External Case Parts

Bin

62 C1633-00019 Media bin back - For top of wire rack below plotter
NO LONGER SUPPLIED

63 C1633-00020 Media bin front - Main part of wire rack below plotter
NO LONGER SUPPLIED



External Case Parts

Bin

64 C1633-00044 Media bin adjust - Adjustable media bottom stop in wire rack
NO LONGER SUPPLIED

Caster

65 1492-0145 Lockable caster assembly - Includes stem and washer
NO LONGER SUPPLIED

Cover

66 C1633-00031 MIO slot access cover

67 C2848-00002 Electronic enclosure cover
NO LONGER SUPPLIED

68 C2858-40044 Right end cover - For end of upper stand (Chassis) assembly
NO LONGER SUPPLIED

69 C2858-60215 Left end cover assembly - For end of upper stand (Chassis)
NO LONGER SUPPLIED

Cross-Brace

C3186-00034 Cross-brace - Main structure that extends between stand legs

Enclosure

71 C2848-60001 Enclosure - Metal structure that forms the base of the electronics enclosure assembly
NO LONGER SUPPLIED

Hardware Kit

C2847-60061 Hardware kit - Package of 6 screws for stand assembly
NO LONGER SUPPLIED

Hinge

73 07575-40012 Male half of hinge (on window) - For lift-up window
NO LONGER SUPPLIED

74 07575-40111 Female half of hinge (on chassis) - For lift-up window
NO LONGER SUPPLIED

Holder

75 C1633-40094 Holder - For 'Help' card and hand held cutter
NO LONGER SUPPLIED

Keycap

76 5041-1203 Power switch keycap (White)

Leg

77 C2848-60002 Leg assembly - Side support with foot bar and 2 casters
NO LONGER SUPPLIED

Nameplate/Logo

78 C2858-00017 Nameplate - DesignJet 650C printer
NO LONGER SUPPLIED

Overlay

79 C2858-60026 Control panel overlay (English)
NO LONGER SUPPLIED

80 C2858-60027 Control panel overlay (German)
NO LONGER SUPPLIED

C2858-60026 *New Part for C2858-60027*

81 C2858-60028 Control panel overlay (Spanish)
NO LONGER SUPPLIED

82 C2858-60029 Control panel overlay (French)
NO LONGER SUPPLIED

83 C2858-60030 Control panel overlay (Japanese)
NO LONGER SUPPLIED



External Case Parts

Overlay

- 84 C2858-60031 Control panel overlay (Italian)
NO LONGER SUPPLIED
- 85 C2858-60033 Control panel overlay (Portuguese)
NO LONGER SUPPLIED

Plate

- 86 C2847-00027 SIMM Plate - Covers access to SIMM slot connectors
NO LONGER SUPPLIED

Window

- 87 C1633-40075 Lift-up viewing window - Clear
NO LONGER SUPPLIED

Optional Interfaces

Interface (Module)

- J4101-61011 External JetDirect 300X print server module (10Base-T and 100Base-T) - Connects between printer parallel port and LAN network - Does NOT include power module - (J4101A, J4101B)

Interface (Product)

- J2550B EtherTwist (10Base-T) LAN interface board
NO LONGER SUPPLIED
- J2552B LAN & LocalTalk interface - Has EtherTwist (10Base-T), ThinLAN (10Base-2), and LocalTalk (DIN-8) connectors
NO LONGER SUPPLIED
- J2555B Token ring LAN interface board - DB-9 and RJ-45 connectors
NO LONGER SUPPLIED
- J2590A External JetDirect LAN interface module with RJ-45 connector for EtherTwist (10Base-T) or 100VG/802.12 input and 3 parallel (DB-25) output connectors
NO LONGER SUPPLIED
- J2591A External JetDirect LAN interface module and power module - Has EtherTwist (10Base-T) and ThinLAN (10Base-2) connectors
NO LONGER SUPPLIED
- J3258B External JetDirect 170X LAN interface module - Interfaces a parallel printer to an ethernet 10Base-T (RJ-45) LAN
- J3264A External JetDirect 500X token ring interface module - Interfaces up to 3 parallel printers to a token ring (DB-9 or RJ-45) LAN
- J3265A External JetDirect 500X LAN interface module - Interfaces up to 3 parallel printers to an ethernet 10Base-T (RJ-45), 10Base2 (BNC), or 100Base-TX (RJ-45) LAN

Module

- J2382-69003 External JetDirect LAN interface module with ethertwist (10Base-T) and ThinLAN (10BASE-2) connectors
- J2383-61005 External token ring interface module - Has DB-9 connector
- J2590-69001 External JetDirect LAN interface module with RJ-45 connector for ethertwist (10Base-T) or 100VG/802.12 input and 3 parallel (DB-25) output connectors
REQUIRES RETURN OF DEFECTIVE PART
- J2590-61011 *New Part for J2590-69001*
- J2591-69001 External JetDirect LAN interface module with ethertwist (10Base-T) and ThinLAN (10BASE-2) connectors
- J2592-69001 External JetDirect LAN interface module with ethertwist (10Base-T) connector
REQUIRES RETURN OF DEFECTIVE PART
- J2592-61001 *New Part for J2592-69001*
- J2593-69001 External JetDirect LAN interface module with Ethertwist (10Base-T) and ThinLAN (10BASE-2) input connectors and 3 parallel (DB-25) output connectors - (part of J2593A)
- J2594-69001 External JetDirect token ring interface module with DB-9 and RJ-45 input connectors and 3 parallel (DB-25) output connectors - (part of J2594A)
REQUIRES RETURN OF DEFECTIVE PART
- J2594-61011 *New Part for J2594-69001*
- J3258-61011 External JetDirect LAN interface module with EtherTwist (10Base-T) connector - (J3258A, J3258B)



Optional Interfaces

Module

J4102-69011 External JetDirect LAN interface module with EtherTwist (10Base-T) connector - (J4102A, J4102B)
REQUIRES RETURN OF DEFECTIVE PART

J4102-61011 New Part for J4102-69011

Module (Product)

J4101B External JetDirect LAN interface module with EtherTwist (10Base-T/Base-TX) connector

J4102B External JetDirect LAN interface module with EtherTwist (10Base-T) connector

PC Board (Interface)

J2371-69001 EtherTwist 10Base-T interface board
NO LONGER SUPPLIED

J2372-69001 LAN interface board with EtherTwist 10Base-T and ThinLAN 10Base-2 connectors

J4100-69001 New Part for J2372-69001

J2373-60001 Token ring interface board - Has DB-9 connector
NO LONGER SUPPLIED

J2550-69013 EtherTwist 10Base-T LAN interface board

J2552-69013 LAN and LocalTalk interface - EtherTwist (10Base-T), ThinLAN (10Base-2), and LocalTalk (DIN-8) connectors

J2555-69013 Token ring LAN interface board - DB-9 and RJ-45 connectors

Power Cord

8120-1351 Power cord (Mint Gray) - 17 AWG, 2.3m (7.5ft) long - Has straight (F) receptacle (For 240V in the UK, Hong Kong, Singapore, Malaysia, and Brunei)

8120-1369 Power cord (Mint Gray) - 17 AWG, 2.0m (6.6ft) long - Has straight (F) receptacle (For 240V in Australia, New Zealand, and China)

8120-1378 Power cord (Jade Gray) - 18 AWG, 2.3m (7.5ft) long - Has straight (F) receptacle (For 120V in USA, Canada, Latin America, Korea, Taiwan, Thailand, Spain, Brazil, and Vietnam)

8120-1689 Power cord (Mint Gray) - 17 AWG, 2.0m (6.6ft) long - Has straight (F) receptacle (For 220V in Europe, Bangladesh, Indonesia, Pakistan, Burma, Sri Lanka, and Vietnam)

8120-2104 Power cord (Mint Gray) - 2.0m (6.6ft) long - Has straight (F) receptacle (For 220V in Switzerland)

8120-2956 Power cord (Mint Gray) - 2.0m (6.6ft) long - Has straight (F) receptacle (For 220V in Denmark)

8120-4753 Power cord (Flint Gray) - 18 AWG, 2.3m (7.5ft) long - Has straight (F) receptacle (For 100V in Japan)

8120-6302 'Daisy chain' power cord (Dove Gray) - 18 AWG, 1.2m (4.0ft) long - Has C14 (M) plug for power input and C13 (F) plug for power output

Power Module

0950-2372 Power supply module - 100-240VAC input, 47-63Hz, requires separate AC power cord - 5VDC output, 1A, 5 watts - For J2382/83A/B

0950-3169 Wall mount power supply module - 110-127V AC 57-63Hz input - 13V DC output at 300mA (USA, Canada) - For use with the J2592A external JetDirect LAN interface module

0950-3170 Power supply module - 209-253VAC input, 47-53Hz - 13VDC output, 300mA (Europe, Israel) - For use with the J2592A external JetDirect LAN interface module

0950-3171 Power supply module - 220-240VAC input, 47-53Hz - 13VDC output, 300mA (U.K., Hong Kong) - For use with the J2592A external JetDirect LAN interface module

0950-3172 Power supply module - 240VAC input, 47-53Hz - 13VDC output, 300mA (Australia) - For use with the J2592A external JetDirect LAN interface module

0950-3348 Wall mount power supply module (MEI-AH ED12006) - 110-127VAC input, 57-63Hz - 13VDC output, 800mA, 10.4 watts (for use in the United States and Canada) - For models J2590/91/93/94A, J2964A, J3258A/B, J3263/64/65A, J3282B, J4101A/B, J4102A/B

0950-3349 Wall mount power supply module (MEI-AH ED12007) - 230VAC input, 47-53Hz - 13VDC output, 800mA, 10.4 watts (for use in Europe and Israel) - For JetDirect/infrared interface models J2590/91/93/94A, J2964A, J3258A/B, J3263/64/65A, J3282B, J4101A/B, J4102A/B

0950-3350 Wall mount power supply module (MEI-AH ED12008) - 220-240VAC input, 47-53Hz - 13VDC output, 800mA, 10.4 watts (for use in the United Kingdom) - For JetDirect/infrared interfaces J2590/91/93/94A, J2964A, J3258A/B, J3263/64/65A, J3282B, J4101A/B, J4102A/B



Optional Interfaces

Power Module

0950-3351	Wall mount power supply module (MEI-AH ED12009) - 220VAC input, 47-63Hz - 13VDC output, 800mA, 10.4 watts (for use in South Korea) - For JetDirect/infrared interface models J2590/91/93/94A, J2964A, J3258A/B, J3263/64/65A, J3282B, J4101A/B, J4102A/B
0950-3352	Wall mount power supply module (MEI-AH ED12010) - 100VAC input, 47-63Hz - 13VDC output, 800mA, 10.4 watts (for use in Japan) - For JetDirect/infrared interface models J2590/91/93/94A, J2964A, J3258A/B, J3263/64/65A, J3282B, J4101A/B, J4102A/B
0950-3354	Wall mount power supply module (MEI-AH ED12010) - 220-250VAC input, 47-53Hz - 13VDC output, 800mA, 10.4 watts (for use in South Africa) - For JetDirect/infrared interface models J2590/91/93/94A, J2964A, J3258A/B, J3263/64/65A, J3282B, J4101A/B, J4102A/B
9100-5176	Wall mount power supply module (Leader Electronics 48130625HK) - 200VAC input, 48-52Hz - 13VDC output, 625mA (Hong Kong) - For JetDirect Modules and Infrared Interface Models J2590/91/93/94A, J2964A, J3258A/B, J3263/64/65A, J3282B, J4101A/B, J4102A/B
0950-3350	<i>New Part for 9100-5176</i>

Other Accessories

CD-ROM (Support)

C7769-90066	DesignJet support CD ROM - Version A.04.01 - Has product information, user's manuals, service manuals, diagnostic software, test drawings, newsletters, and service notes
-------------	---------------------------------------------------------------------------------------------------------------------------------------------------------------------------

Cartridge

51640A	Black print cartridge (w/ level indicator) - Prints approx. 1120 pages based on 5% density on a 8 inch by 10 inch print area (for USA)
51640AA	Black print cartridge (with level indicator) - Prints approx. 1120 pages based on 5% density on a 8 inch by 10 inch print area (for Asia/Pacific)
51640AE	Black print cartridge (with level indicator) - Prints approx. 1120 pages based on 5% density on a 8 inch by 10 inch print area (for Europe)
51640AL	Black print cartridge (with level indicator) - Prints approx. 1120 pages based on 5% density on a 8 inch by 10 inch print area (for Latin America)
51650C	Cyan (Blue) ink cartridge (with level indicator) - For USA
51650CA	Cyan (Blue) ink cartridge (with level indicator) - For Asia/Pacific
51650CE	Cyan (Blue) ink cartridge (with level indicator) - For Europe
51650CL	Cyan (Blue) ink cartridge (with level indicator) - For Latin America
51650M	Magenta (Red) ink cartridge (with level indicator) - For USA
51650MA	Magenta (Red) ink cartridge (with level indicator) - For Asia/Pacific
51650ME	Magenta (Red) ink cartridge (with level indicator) - For Europe
51650ML	Magenta (Red) ink cartridge (with level indicator) - For Latin America
51650Y	Yellow ink cartridge (with level indicator) - For USA
51650YA	Yellow ink cartridge (with level indicator) - For Asia/Pacific
51650YE	Yellow ink cartridge (with level indicator) - For Europe
51650YL	Yellow ink cartridge (with level indicator) - For Latin America

Cleaning Supplies

C6247A	DesignJet cleaning kit - Includes cleaning solution and 20 cleaning rags
--------	--------------------------------------------------------------------------

Envelope

5960-8286	Final exam return envelopes - Contains 10 envelopes
-----------	-----------------------------------------------------

Kit

5182-7317	Maintenance kit - Carriage assembly, left bail bracket, reduction pulley, service station kit, 'Y' belt, and a small end cap for the paper spindle (for sale in Korea/Asia Pacific ONLY) NO LONGER SUPPLIED
-----------	----------------------------------------------------------------------------------------------------------------------------------------------------------------------------------------------------------------



Other Accessories

Label

C3195-00057 Safety label - Provides warning that encoder strip is sharp

Lubricant

6040-0854 Synthetic Oil (1/2oz Plastic Bottle - for lubricating the front and rear slider rods)

6040-0855 Synthetic oil - 4oz (113g) plastic bottle

C3190-60155 Grease - For helical gear (Drive roller gear)

Manual

07595-90001 HP-GL reference guide - Programming information
NO LONGER SUPPLIED

5959-9733 HP-GL/2 & HP RTL reference guide - Programming information, handbook for developers

5960-3743 HP RTL reference guide - Programming information

C2858-90000 DesignJet 650C service manual (English)
NO LONGER SUPPLIED

Manual Kit

C2858-90169 DesignJet 650C manual kit - Includes 'Using Front Panel', 'Setting Up for Plotting', and 'Quick Reference' guides (English)
NO LONGER SUPPLIED

C2858-90170 DesignJet 650C manual kit - Includes 'Using Front Panel', 'Setting Up for Plotting', and 'Quick Reference' guides (Chinese)
NO LONGER SUPPLIED

C2858-90171 DesignJet 650C manual kit - Includes 'Using Front Panel', 'Setting Up for Plotting', and 'Quick Reference' guides (Thai)
NO LONGER SUPPLIED

C2858-90172 DesignJet 650C manual kit - Includes 'Using Front Panel', 'Setting Up for Plotting', and 'Quick Reference' guides (German)
NO LONGER SUPPLIED

C2858-90173 DesignJet 650C manual kit - Includes 'Using Front Panel', 'Setting Up for Plotting', and 'Quick Reference' guides (French)
NO LONGER SUPPLIED

C2858-90174 DesignJet 650C manual kit - Includes 'Using Front Panel', 'Setting Up for Plotting', and 'Quick Reference' guides (Spanish)
NO LONGER SUPPLIED

C2858-90175 DesignJet 650C manual kit - Includes 'Using Front Panel', 'Setting Up for Plotting', and 'Quick Reference' guides (Italian)
NO LONGER SUPPLIED

C2858-90176 DesignJet 650C manual kit - Includes 'Using Front Panel', 'Setting Up for Plotting', and 'Quick Reference' guides (Japanese)
NO LONGER SUPPLIED

C2858-90177 DesignJet 650C manual kit - Includes 'Using Front Panel', 'Setting Up for Plotting', and 'Quick Reference' guides (Portuguese)
NO LONGER SUPPLIED

C2858-90178 DesignJet 650C manual kit - Includes 'Using Front Panel', 'Setting Up for Plotting', and 'Quick Reference' guides (Korean)
NO LONGER SUPPLIED

Packaging

C3196-60113 Repackaging kit - For main plotter unit
NO LONGER SUPPLIED

Return Kit

5183-5268 Return kit with box and instructions - For returning defective Thermal InkJet (TIJ) 2.5 InkJet cartridges covered under the CREW program - For USA

5184-2833 Return kit with box and instructions - For returning defective Thermal InkJet (TIJ) 2.5 InkJet cartridges covered under the CREW program - For use outside of the USA



Other Accessories

Software

- C6072-60281 Toolbox and driver software - HP-GL/2 and RTL drivers for Windows 3.1/95/98/NT 4.0 (all DesignJets), and toolbox software for Windows 95/NT 4.0 (Only for DesignJet 430/450C/455CA/1050C/1055CM) - On 3.5-inch 1.44MB floppy disks (English)
- C6072-60284 Toolbox and driver software - HP-GL/2 and RTL drivers for Windows 3.1/95/98/NT 4.0 (all DesignJets), and toolbox software for Windows 95/NT 4.0 (Only for DesignJet 430/450C/455CA/1050C/1055CM) - On 3.5-inch 1.44MB floppy disks (German)
- C6072-60285 Toolbox and driver software - HP-GL/2 and RTL drivers for Windows 3.1/95/98/NT 4.0 (all DesignJets), and toolbox software for Windows 95/NT 4.0 (Only for DesignJet 430/450C/455CA/1050C/1055CM) - On 3.5-inch 1.44MB floppy disks (French)
- C6072-60286 Toolbox and driver software - HP-GL/2 and RTL drivers for Windows 3.1/95/98/NT 4.0 (all DesignJets), and toolbox software for Windows 95/NT 4.0 (Only for DesignJet 430/450C/455CA/1050C/1055CM) - On 3.5-inch 1.44MB floppy disks (Spanish)
- C6072-60287 Toolbox and driver software - HP-GL/2 and RTL drivers for Windows 3.1/95/98/NT 4.0 (all DesignJets), and toolbox software for Windows 95/NT 4.0 (Only for DesignJet 430/450C/455CA/1050C/1055CM) - On 3.5-inch 1.44MB floppy disks (Italian)
- C6072-60301 HP-GL/2 driver software for AutoCAD - For DOS and Windows 3.1/95/NT 4.0 - On 3.5-inch 1.44MB floppy disks (English)
- C6072-60304 HP-GL/2 driver software for AutoCAD - For DOS and Windows 3.1/95/NT 4.0 - On 3.5-inch 1.44MB floppy disks (German)
- C6072-60305 HP-GL/2 driver software for AutoCAD - For DOS and Windows 3.1/95/NT 4.0 - On 3.5-inch 1.44MB floppy disks (French)
- C6072-60306 HP-GL/2 driver software for AutoCAD - For DOS and Windows 3.1/95/NT 4.0 - On 3.5-inch 1.44MB floppy disks (Spanish)
- C6072-60307 HP-GL/2 driver software for AutoCAD - For DOS and Windows 3.1/95/NT 4.0 - On 3.5-inch 1.44MB floppy disks (Italian)

Training Kit

- C2858A+49A-61 Self paced training kit for DesignJet 650C plotters - Includes service manual, NTSC format video (VHS), and ten tests
NO LONGER SUPPLIED
- C2858A+49A-62 Self paced training kit for DesignJet 650C plotters - Includes service manual, PAL format video (VHS), and ten tests
NO LONGER SUPPLIED

Other Internal Parts

Bracket

- 187 C2847-00051 Y-tensioner bracket on left side plate
NO LONGER SUPPLIED

Bushing

- 188 C3195-40076 Cutter bushing - Connects cutter assembly to slider rod

Cap

- C3190-40076 Cartridge cap - Keeps cartridges from drying out when carriage is parked in service station
NO LONGER SUPPLIED

Clamp

- 190 1400-1021 Cable clamp
- 191 9170-1533 Clamp - Holds ferrite in place within electronics enclosure
NO LONGER SUPPLIED

Cutter

- 192 C2858-60021 Cutter mechanism assembly - Auto cutter for rollfeed paper

Fan

- 193 3160-0814 Tubeaxial fan (Matsushita FBK-09A12M2-MOD) - 12VDC, 35.3cfm - Mounting hole center spacing 82.5mm, 25.5mm thick
NO LONGER SUPPLIED



Other Internal Parts

Guide

194 C4704-40109 MIO board guide

Housing

195 C1633-00033 MIO support - Metal housing for the plug-in MIO card - Does not include the board guides
NO LONGER SUPPLIED

196 C2858-40001 Service station housing
NO LONGER SUPPLIED

Primer

197 C2858-60003 Primer assembly - Mounts under the service station assembly on the left side of the plotter
NO LONGER SUPPLIED

Reservoir

198 C2858-40038 Reservoir - Attaches to left side chassis - Ink absorber is inserted into this reservoir
NO LONGER SUPPLIED

Sensor

199 C2847-60069 Sensor assembly (for lift-up window)
NO LONGER SUPPLIED

Service Station

200 C2858-60152 Service station kit - Includes service station cap, 4 primer tubes, absorber, sled, wiper, drop detect sensor, and bail sensor cable
NO LONGER SUPPLIED

Shield

C4704-40050 SIMM module shield (Barrier) - Protective metal rectangular housing

Spring

202 C4723-80027 Cutter shim / bail spring
NO LONGER SUPPLIED

Strip

203 C4714-60098 Encoder strip assembly (E-size) - Includes encoder strip and encoder strip spring

Paper Drive Parts

Absorber

235 C2858-00078 Absorber
NO LONGER SUPPLIED

Bail

236 C2858-60115 Bail assembly - Has star wheel assemblies attached
NO LONGER SUPPLIED

Bail Lift Mechanism

237 C2858-60209 Bail lift mechanism kit - Includes cam gear, engaging lever, engaging lever gear, engaging lever spring, Y-tensioner bracket, bail lift cam, cam gear support, screws, and washers
NO LONGER SUPPLIED

Bearing

238 1410-0708 Sleeve bearing - Used on left end of overdrive assembly

Bracket

239 C1633-40037 Right bail bracket
NO LONGER SUPPLIED

240 C1633-40038 Left bail bracket

241 C2847-00051 Y-tensioner bracket on left side plate
NO LONGER SUPPLIED



Paper Drive Parts

Cable

242 C2847-60019 Ribbon cable - 5 pin (F) connector to 5 pin (F) connector - 40.3cm (15.9 inches) long
NO LONGER SUPPLIED

Cam

243 C1633-40052 Bail lift cam - Activates the bail lift lever (part of the bail lift mechanism kit)
NO LONGER SUPPLIED

Gear

244 C1633-40019 Overdrive gear cluster
245 C1633-40027 Bail engaging lever gear
246 C1633-40028 Bail lift cam gear
NO LONGER SUPPLIED

Gear Assembly

247 C4705-60089 Clutch / overdrive gear assembly

Handle

248 C1633-40030 Pinchwheel manual lift handle - Paper loading lever
NO LONGER SUPPLIED

Hardware

249 0510-0083 Retaining E-ring - 0.250-in diameter, steel zinc-dichromate dip

Lever

250 C2847-40013 Bail engaging lever - Used to move engaging lever gear
NO LONGER SUPPLIED

Motor/Gear

251 C2848-60003 Motor/encoder assembly (includes helical drive gear) - X-axis drive - NOTE: motor and gear are only sold as a set

Mount

252 C1633-20006 'X' axis motor mount
NO LONGER SUPPLIED
253 C1633-40089 Overdrive mount block

Overdrive Assy

254 C4706-60121 Overdrive support assembly (E)

Plate

255 C1633-00009 Axial Bias Plate - Installed between the paper drive (Platen) Roller Assembly and the right frame
NO LONGER SUPPLIED

Platen

256 C2848-00010 Entry Platen - Installed over the paper drive (Platen) roller assembly
NO LONGER SUPPLIED

Reservoir

257 C2858-40039 Ink drop reservoir - Installs on right side of plotter

Roller

258 C2859-60004 Paper drive (Platen) roller assembly - Long gear driven roller
C4700-60042 *New Part for C2859-60004*

Sensor

259 C2847-60021 Media sensor assembly - Includes cable
C2847-60022 Pincharm sensor - Includes cable
NO LONGER SUPPLIED
261 C3180-60034 Pincharm sensor - Includes cable
NO LONGER SUPPLIED

www.druckparts.pl



Paper Drive Parts

Spring

262 C1633-80006 Bail engaging lever spring
NO LONGER SUPPLIED

Starwheel Mount

263 C4713-60035 Starwheel mount assembly - Includes cover, body, spring and two starwheels

Support

264 C2847-40015 Cam gear support - Supports bail lift cam gear - Mounted on Y-tensioner bracket (Part of the bail lift mechanism kit)
NO LONGER SUPPLIED

C2858-60209 *New Part for C2847-40015*

Paper and Other Media

Film (Matte)

51642C Polyester matte film - B size (11 x 17-inches) - 40 sheets
NO LONGER SUPPLIED

51642A *New Part for 51642C*

51642F Polyester matte film - A3 size (29.7cm x 42.0cm) - 40 sheets
NO LONGER SUPPLIED

51642G Polyester matte film - D size (22 x 34-inches) - 40 sheets
NO LONGER SUPPLIED

51642A *New Part for 51642G*

51642H Polyester matte film - A1 size (59.4cm x 84.1cm) - 40 sheets
NO LONGER SUPPLIED

51642A Polyester matte film - 61cm (24in) x 36.6m (120ft) roll

51642J Polyester matte film - Architectural D size (24 x 36-inches) - 40 sheets
NO LONGER SUPPLIED

51642A *New Part for 51642J*

51642M Polyester matte film - A0 size (84.1cm x 115.9cm) - 40 sheets
NO LONGER SUPPLIED

51642K Polyester matte film - E size (34 x 44-inches) - 40 sheets
NO LONGER SUPPLIED

51642B Polyester matte film - 91.4cm (36in) x 36.6m (120ft) roll

51642N Polyester matte film - Architectural E size (36 x 48-inches) - 40 sheets
NO LONGER SUPPLIED

Paper

C3851A Opaque bond paper - 61cm (24in) x 45.7m (150ft) roll
NO LONGER SUPPLIED

C3855A Opaque bond paper - Architectural D size (24 x 36-inches) - 100 sheets
NO LONGER SUPPLIED

C1860A *New Part for C3855A*

C3889A Color InkJet cut sheet paper - Architectural D size (24 x 36-inches) - 100 sheets
NO LONGER SUPPLIED

51631D *New Part for C3889A*

C3850A Opaque bond paper - 91.4cm (36in) x 45.7m (150ft) roll
NO LONGER SUPPLIED

C3854A Opaque bond paper - Architectural E size (36 x 48-inches) - 100 sheets
NO LONGER SUPPLIED

C3888A Color InkJet cut sheet paper - Architectural E size (36 x 48-inches) - 100 sheets
NO LONGER SUPPLIED



Paper and Other Media

Paper (Bright White)

C1861A Bright white InkJet paper - 91.4cm (36in) x 45.7m (150ft) roll

Paper (Coated)

C6020B Coated paper (98 gsm) - 91.4cm (36in) x 45.7m (150ft) roll (USA, Canada, and Latin America)

Paper (InkJet)

51630Z Color InkJet CX cut sheet paper - A4 size (21.0cm x 29.7cm) - 200 sheets per package
NO LONGER SUPPLIED

51630Y Color InkJet CX cut sheet paper - A size (8.5 x 11-inches) - 200 sheets per package
NO LONGER SUPPLIED

51631A Color InkJet CX cut sheet paper - B size (11 x 17-inches) - 200 sheets per package
NO LONGER SUPPLIED

51631B Color InkJet CX cut sheet paper - A3 size (29.7cm x 42.0cm) - 200 sheets per package
NO LONGER SUPPLIED

51631G Color InkJet cut sheet paper - D size (22 x 34-inches) - 100 sheets per package
NO LONGER SUPPLIED

51631D *New Part for 51631G*

51631H Color InkJet cut sheet paper - A1 size (59.4cm x 84.1cm) - 100 sheets per package
NO LONGER SUPPLIED

51631D Color InkJet paper - 61cm (24in) x 45.7m (150ft) roll

51648D Heavyweight color InkJet paper - 61cm (24in) x 45.7m (150ft) roll
NO LONGER SUPPLIED

51631M Color InkJet cut sheet paper - A0 size (84.1cm x 118.9cm) - 100 sheets per package
NO LONGER SUPPLIED

C3887A Special InkJet cut sheet paper - E size (34 x 44-inches) - 100 sheets per package
NO LONGER SUPPLIED

51631E Color InkJet paper - 91.4cm (36in) x 45.7m (150ft) roll

51648E Heavyweight color InkJet paper - 91.4cm (36in) x 45.7m (150ft) roll

Paper (Translucent)

C3859A Translucent bond paper - 91.4cm (36in) x 45.7m (150ft) roll

Roll Feed Parts

Brake/Housing

265 C4704-60199 Brake/housing assembly (on right side) - Accepts the flange end of the spindle rod assembly - Includes the 2 housing pieces, 2 brake shoes, brake gear, brake lever, and springs

Cover

266 C4706-60084 Rollfeed access cover - Opens forward to allow access to paper spindle assembly - Includes cover and springs

End Cap

267 C2858-40043 Spindle end cap (small) (or core spacer) - Removes for loading the media roll

268 C3172-40006 Spindle end cap (large)

Housing

269 C4704-60082 Housing assembly (on left side)

Spindle Kit

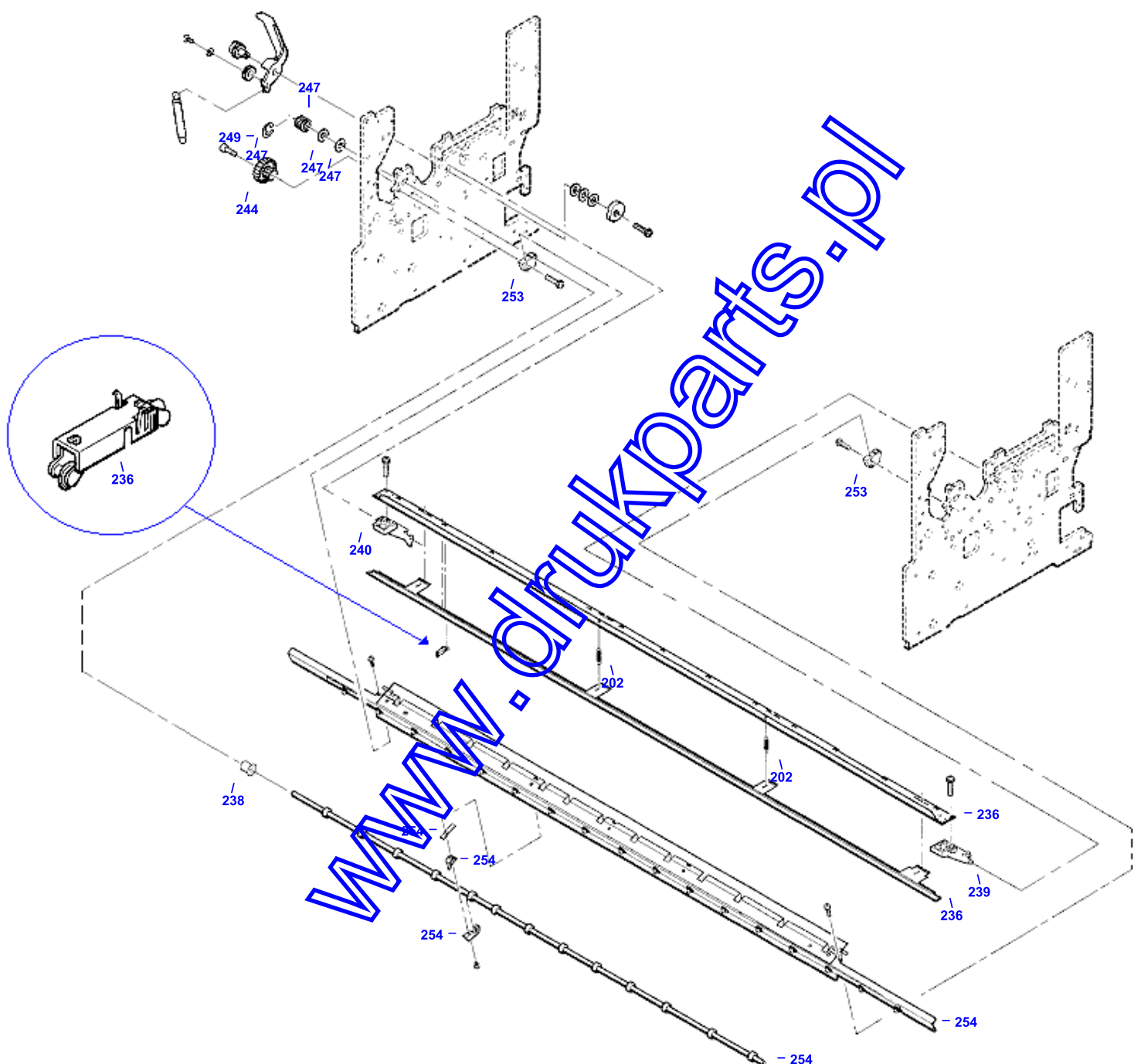
270 C2848-60011 Rollfeed spindle rod assembly (E-size) - Includes spindle and end caps

271 C3173A E/A0 rollfeed spindle rod assembly for DesignJet 6xx/7xx - Includes spindle and end caps

Spring

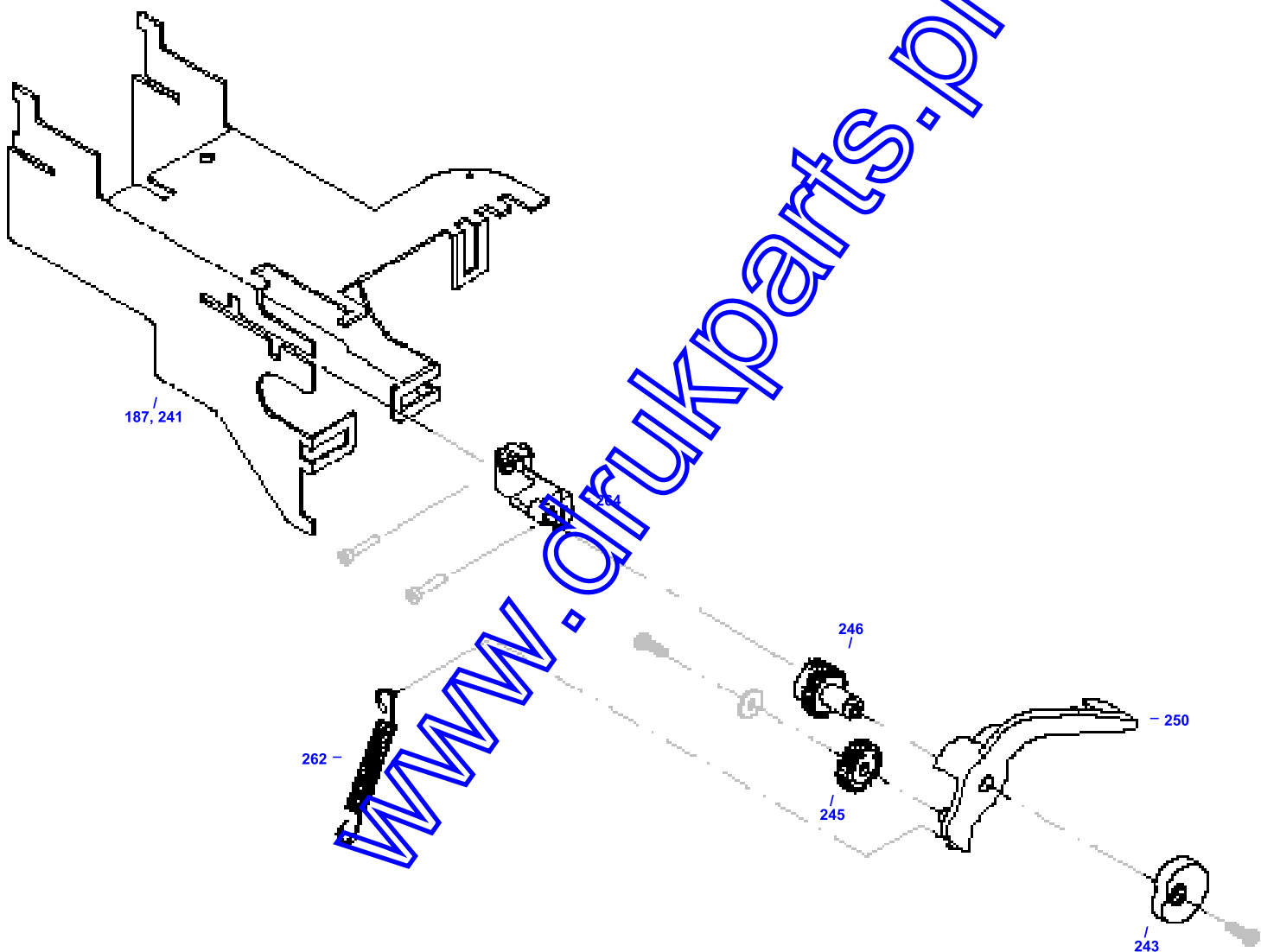
272 C1633-80004 Extension spring - Holds the rollfeed access cover closed

Bail and Overdrive Assemblies

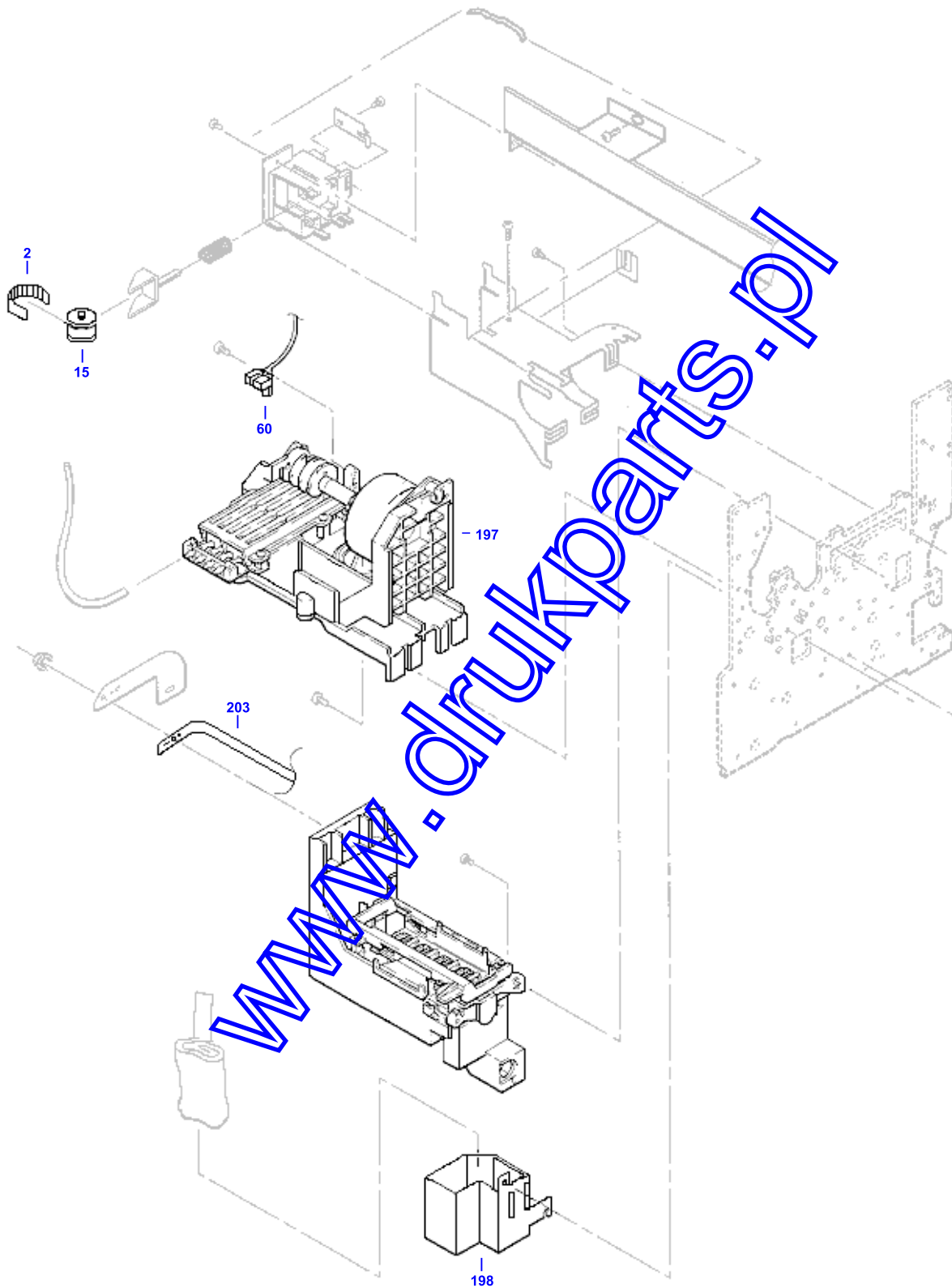


Bail Lift Mechanism Kit

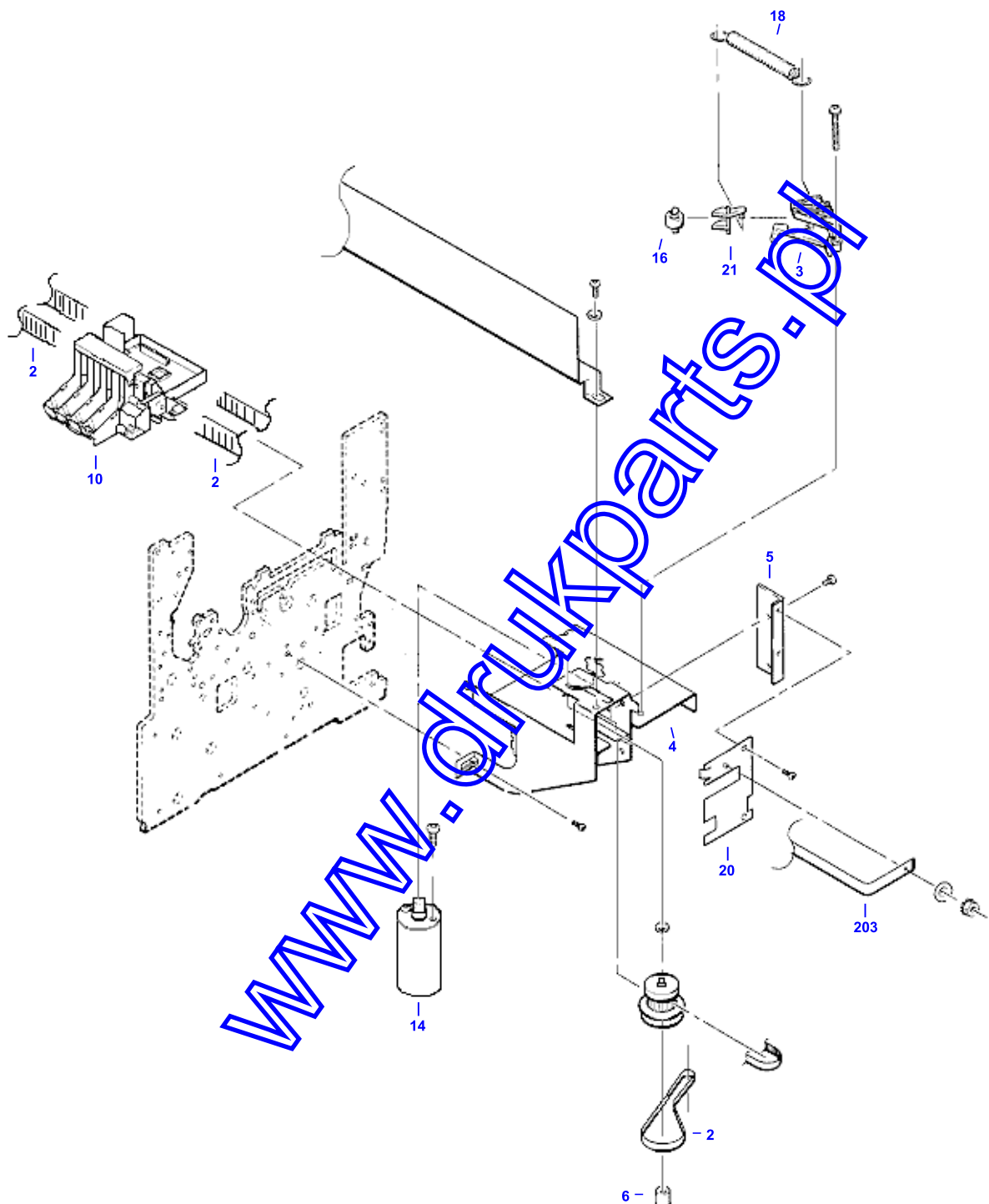
 Bail Lift Mechanism Kit - 237, 264



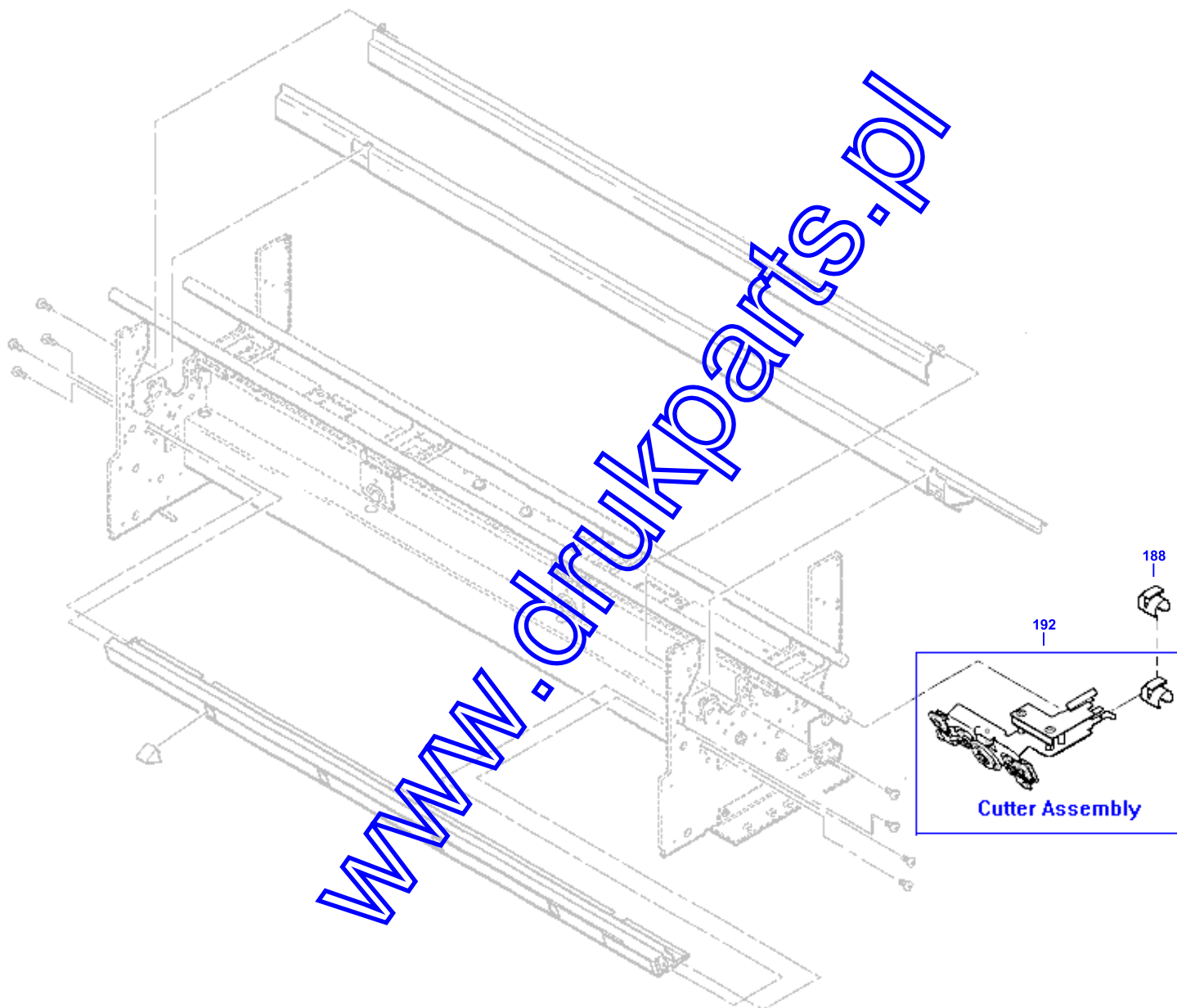
Carriage Axis Drive (Left End)



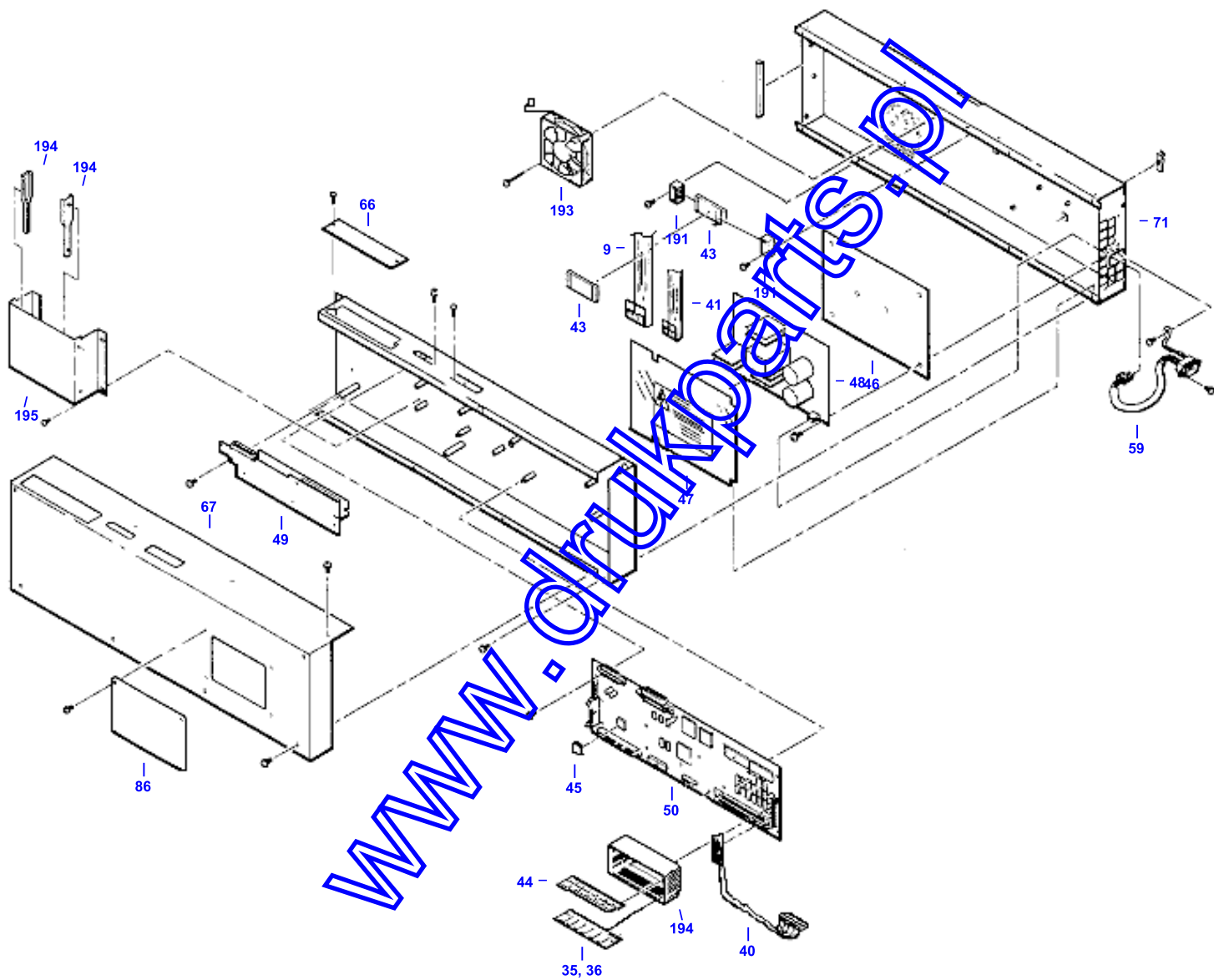
Carriage Axis Drive (Right End)



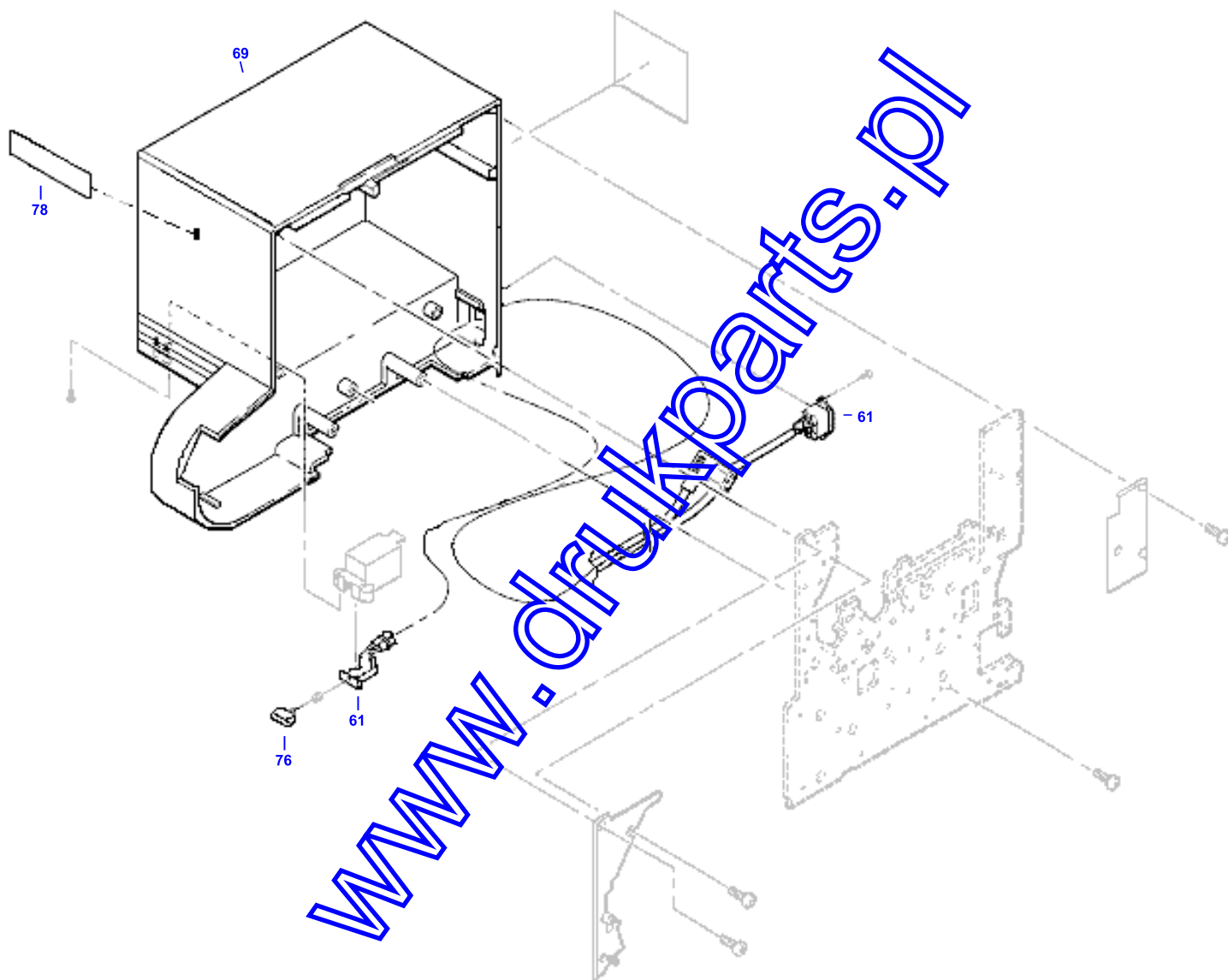
Cutter Assembly



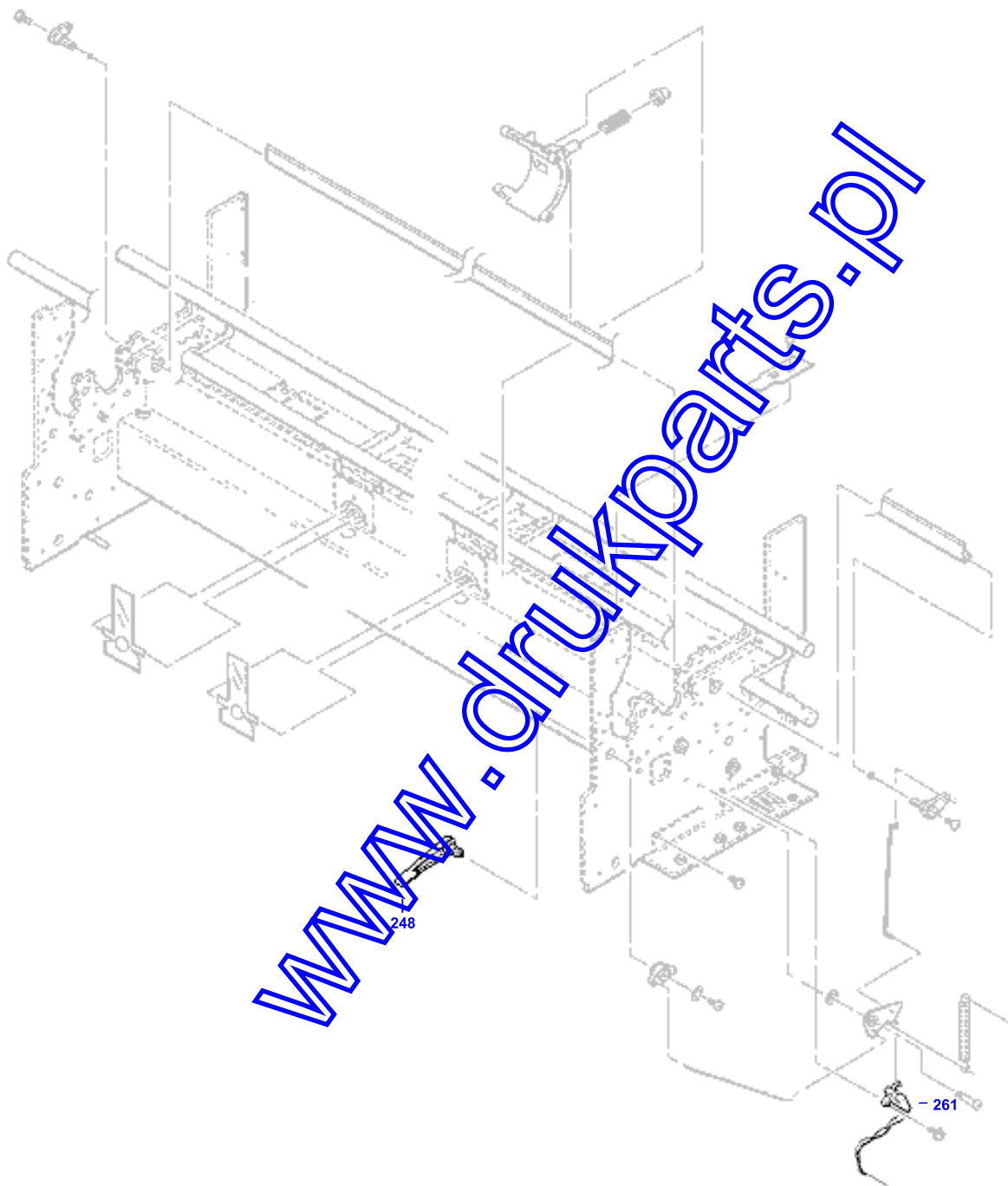
Electronics Enclosure



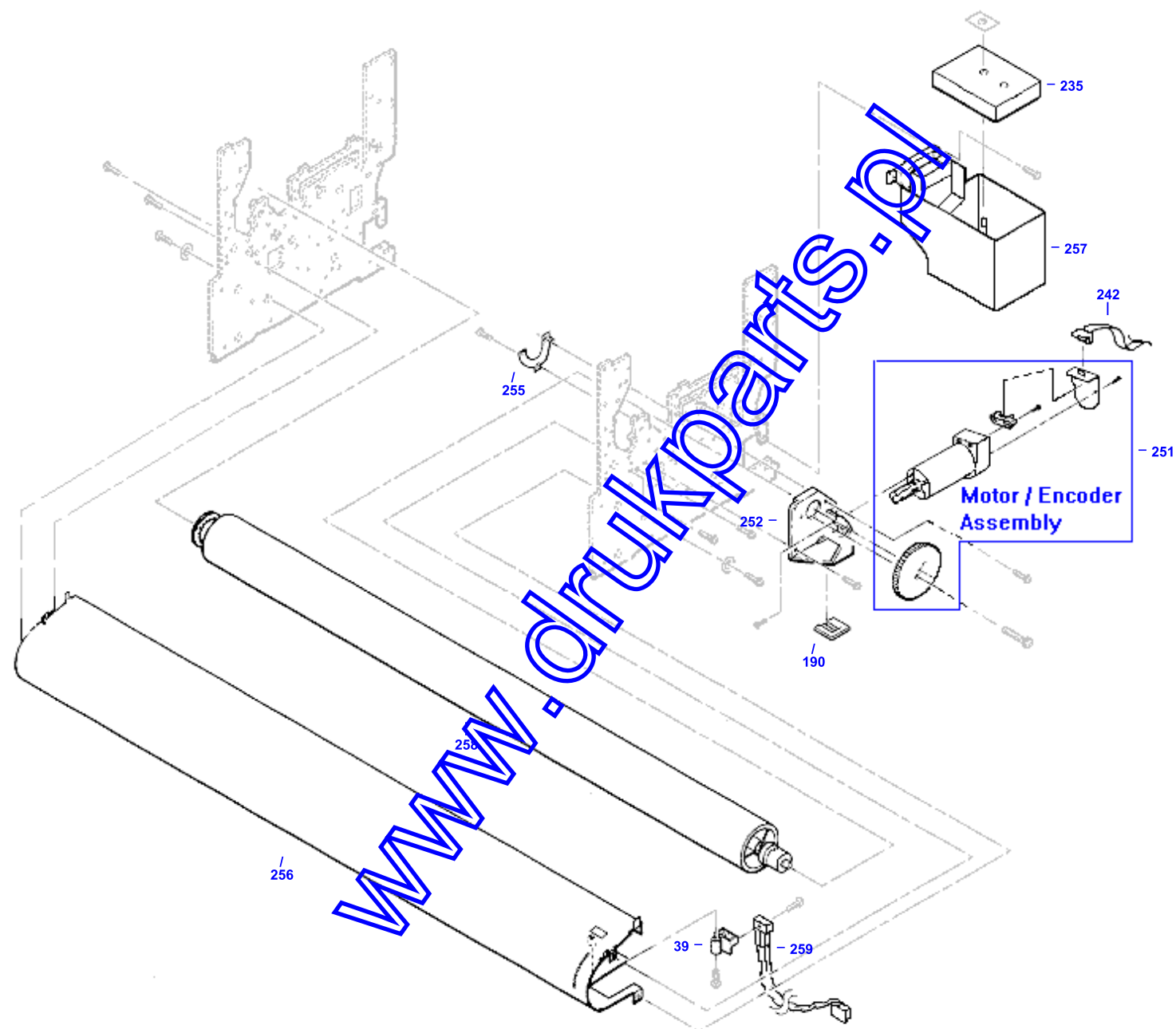
Left Endcover and Trim



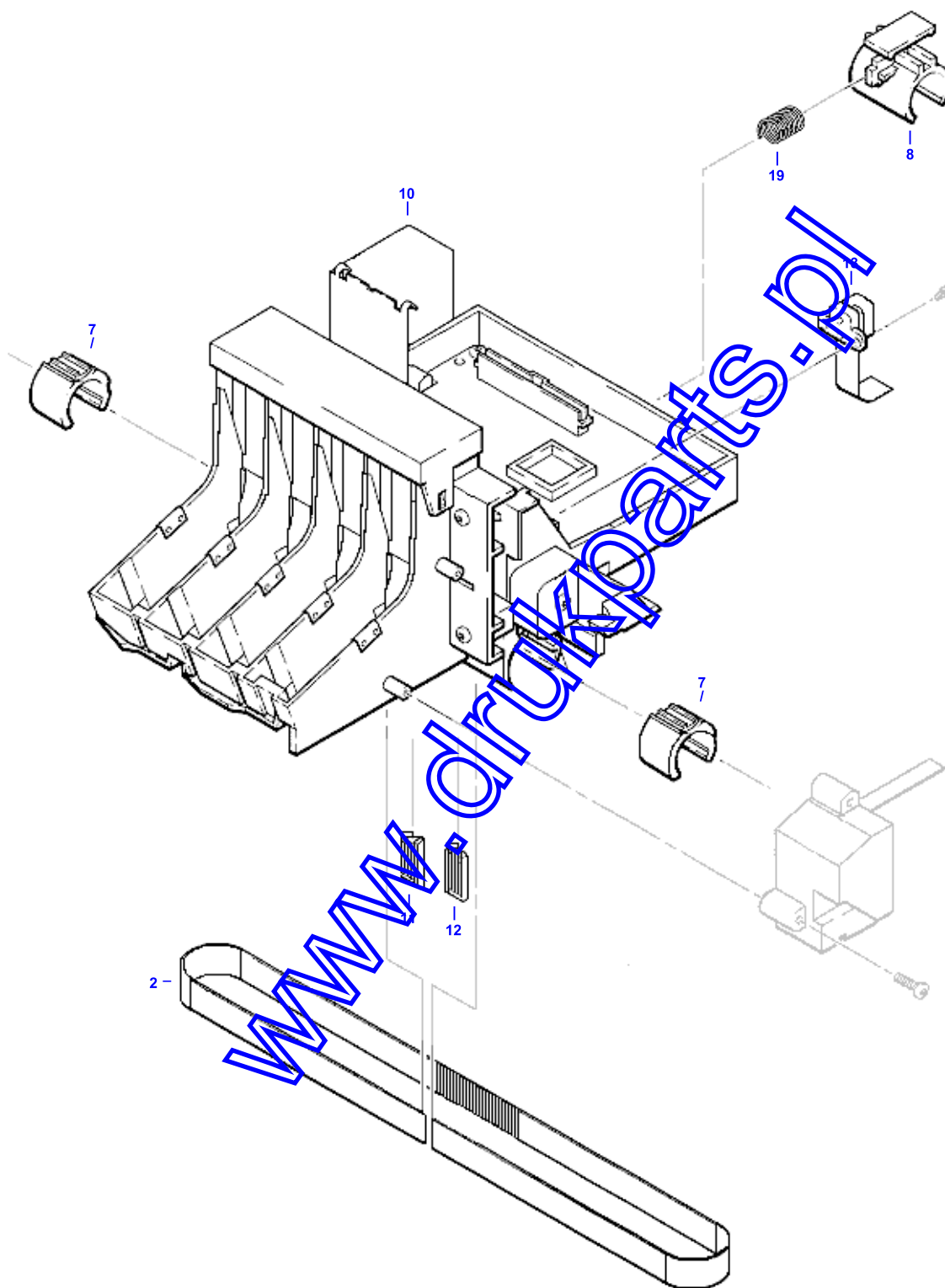
Manual Lift Lever



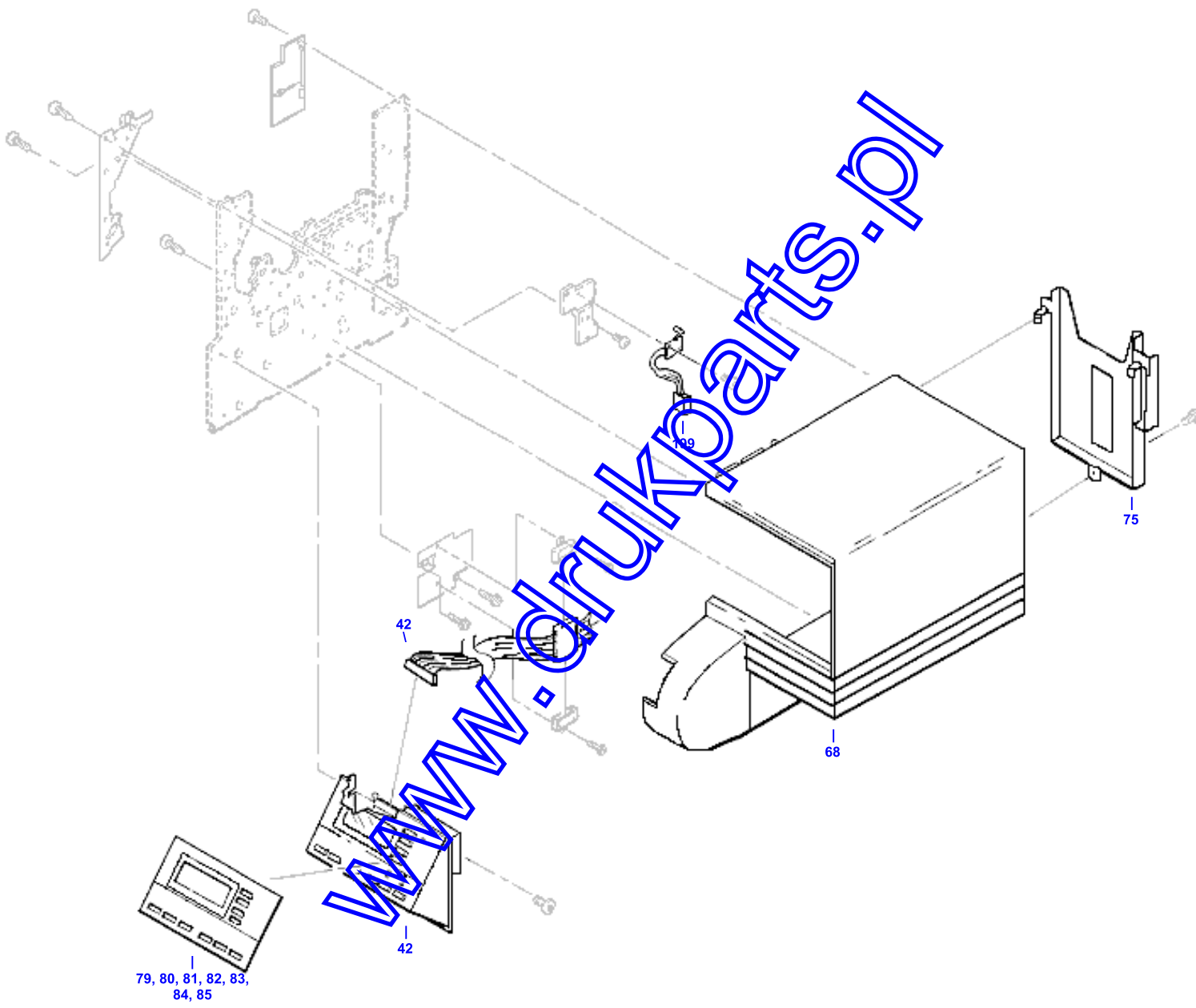
Paper Drive Assemblies



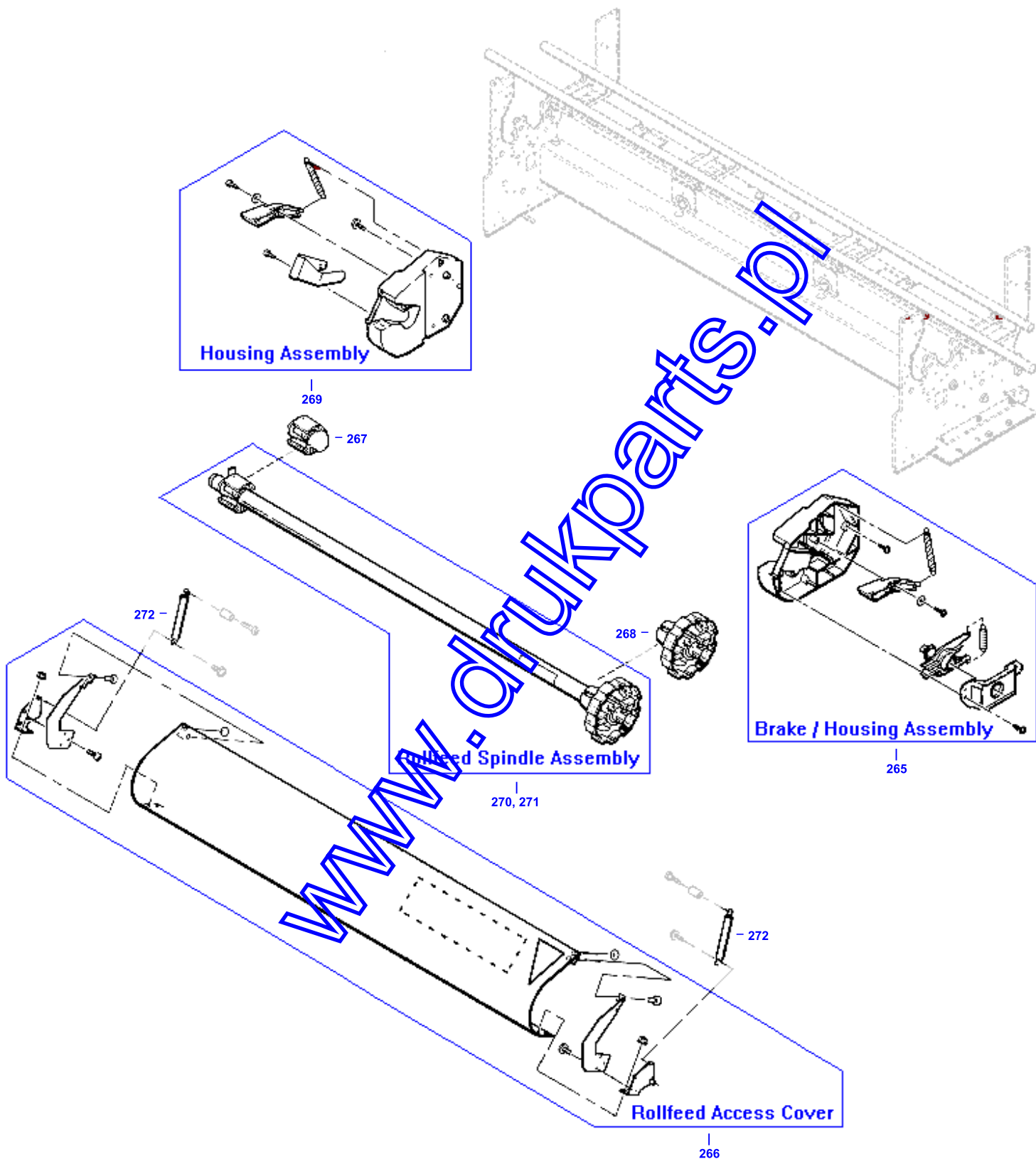
Pen Carriage Assembly



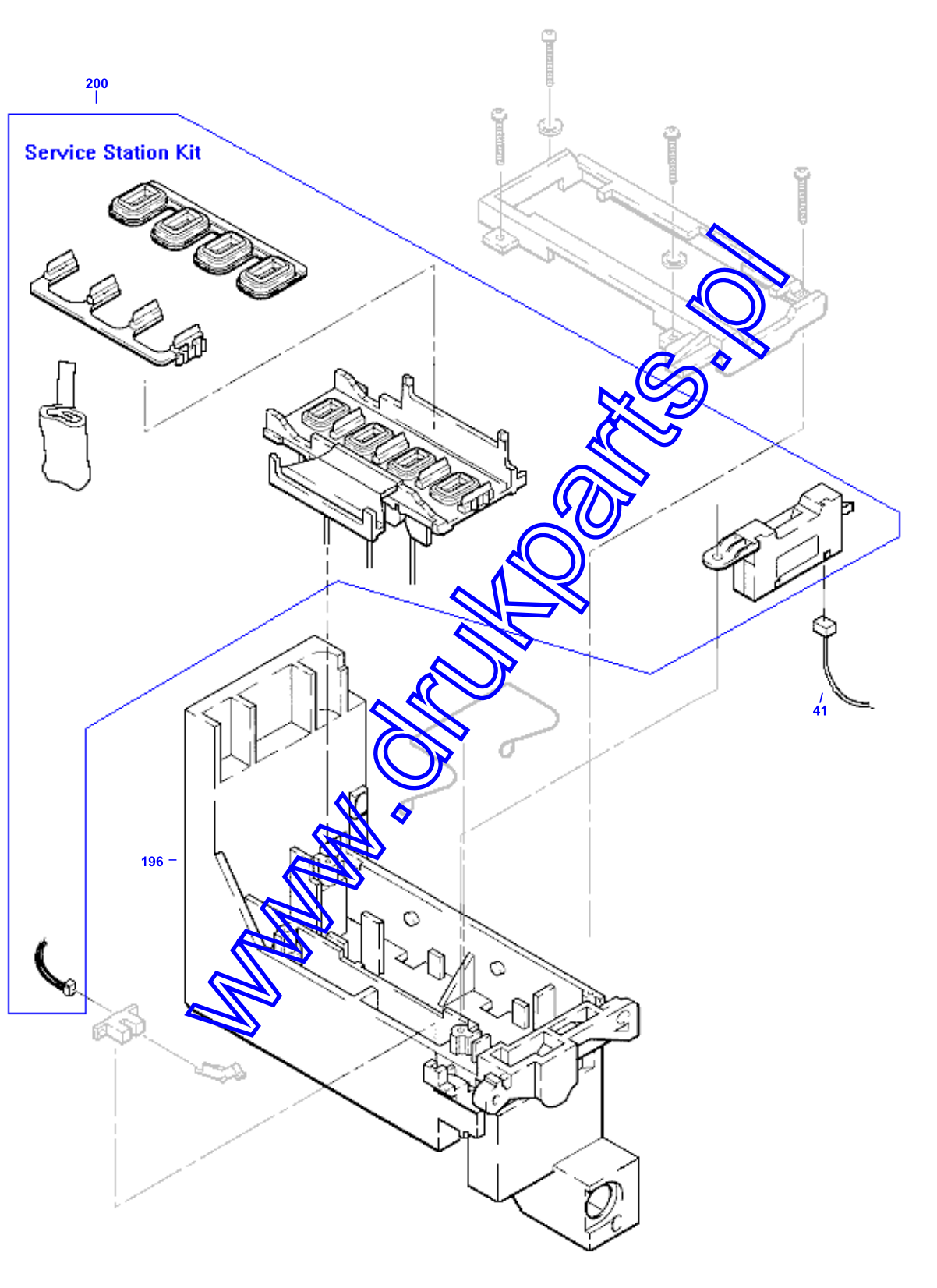
Right Endcover and Trim



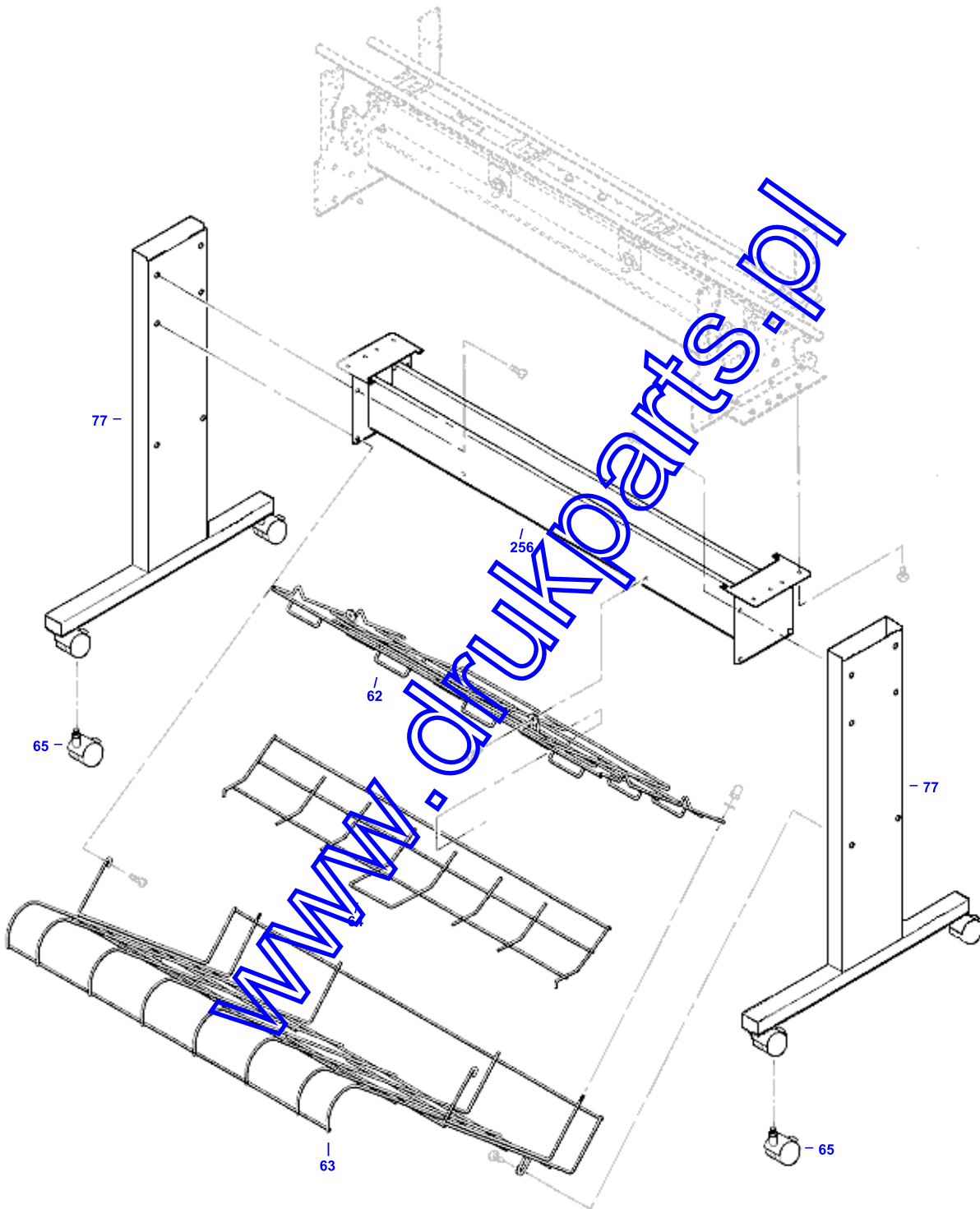
Rollfeed Components



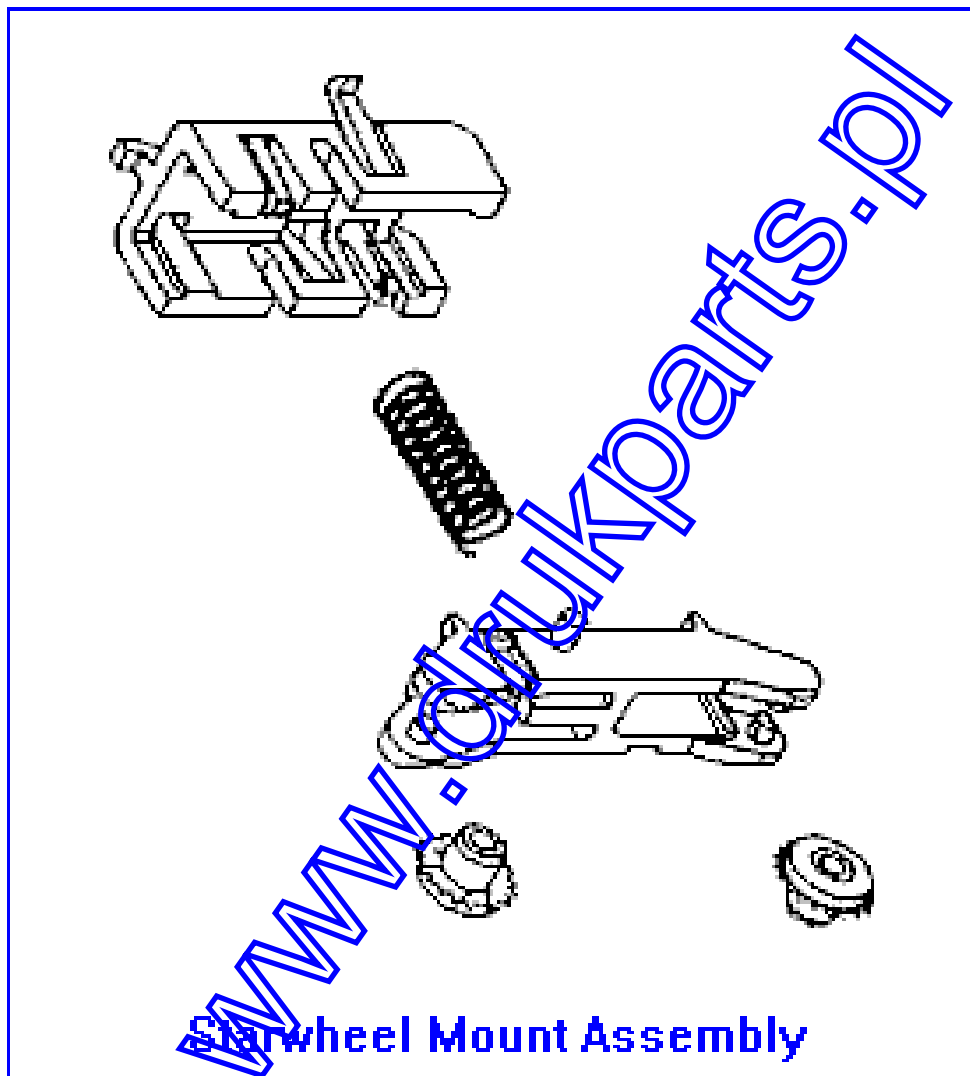
Service Station Assembly



Stand Assemblies

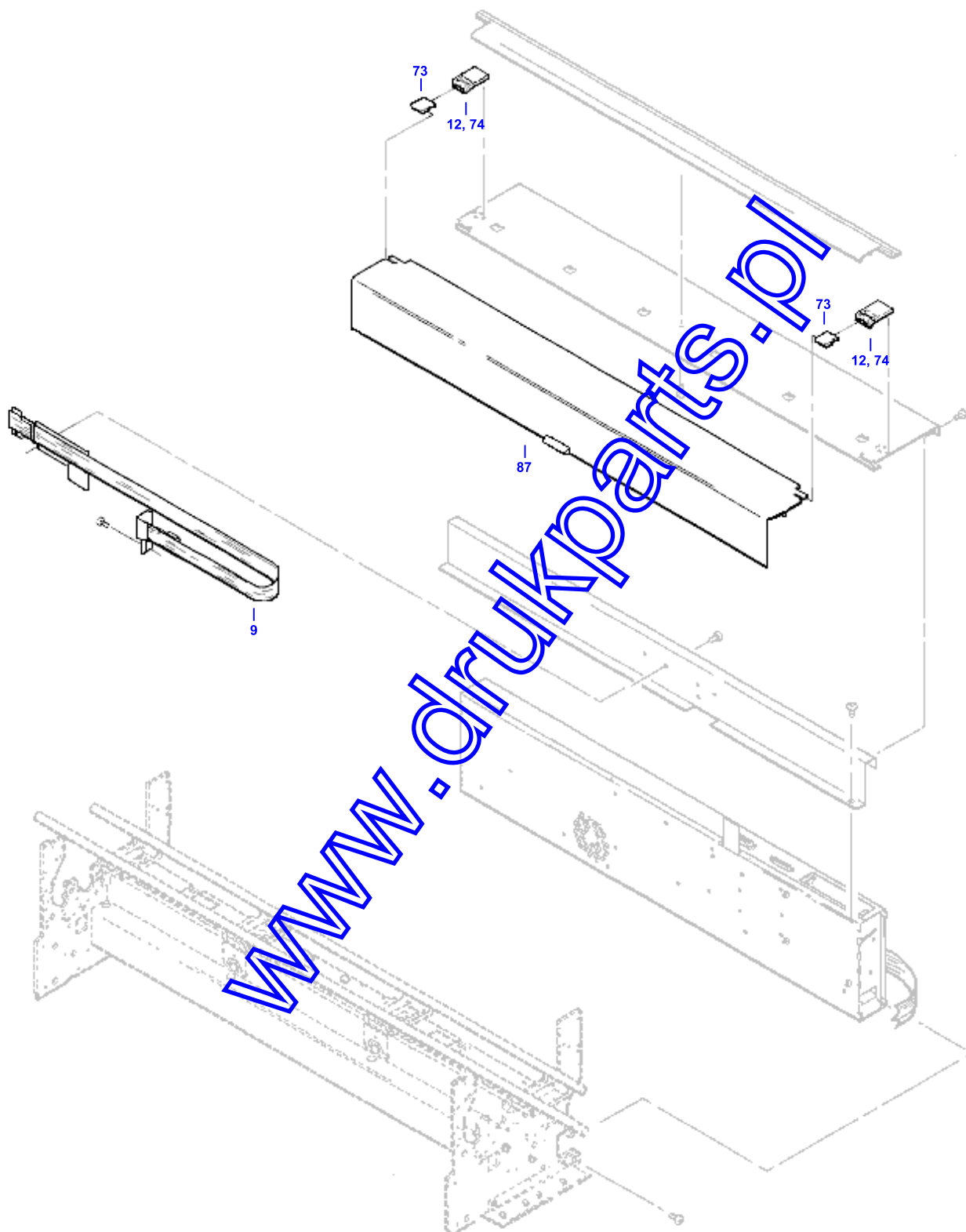


Starwheel Mount Assembly

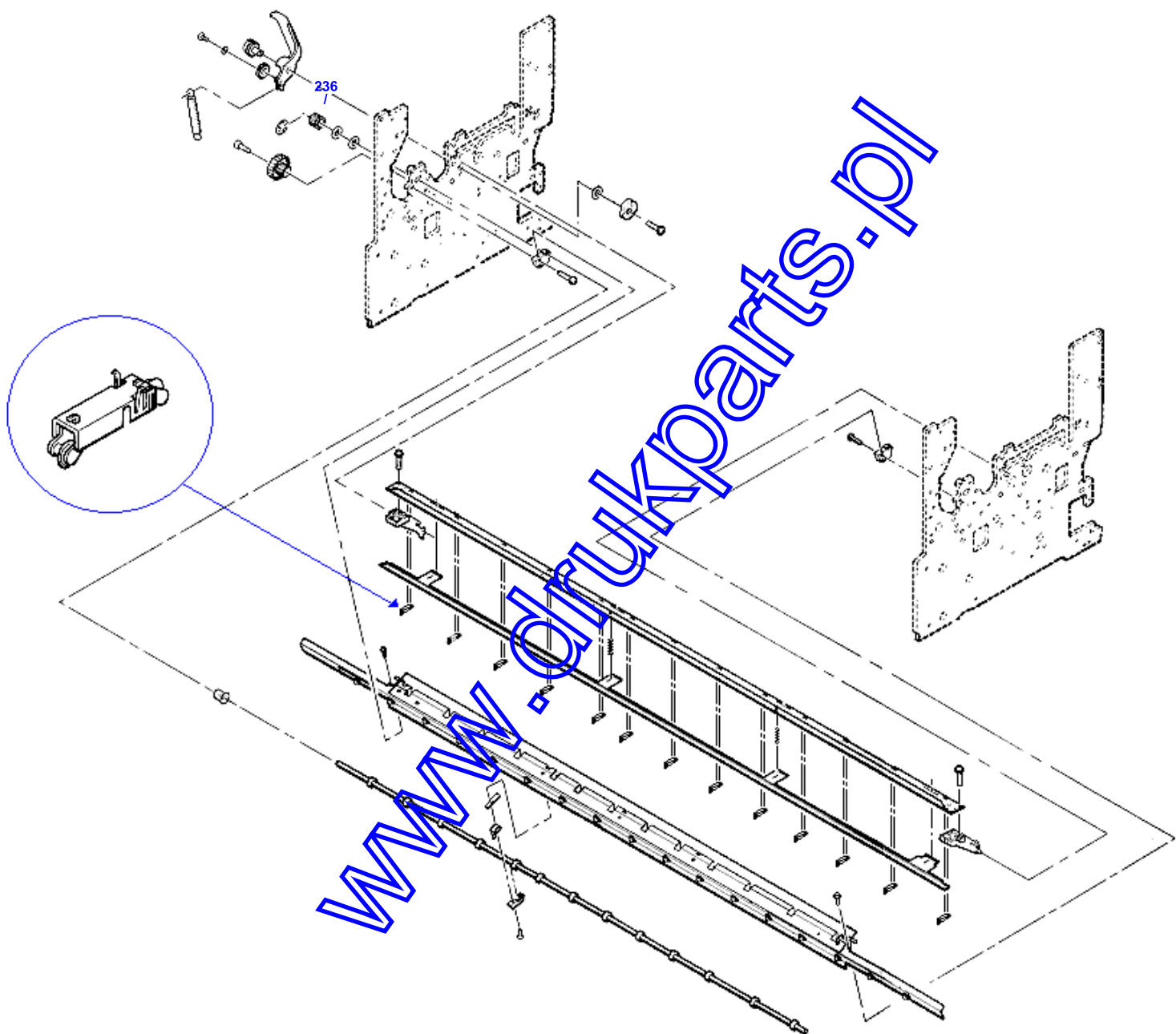


263

Window and Back Cover Assemblies



Bail and Overdrive Assemblies





HP Parts Reference Guide

<http://www.hp.com/go/parts>

HP PartSurfer

<http://partsurfer.hp.com>

HP Parts Ordering Information

<http://www.hp.com/go/hpparts>

HP Parts Questions/Comments

<http://partsurfer.hp.com/contactus.htm>

www.drukparts.pl