



Carriage Drive Parts

Belt

- 1 1500-0855 'Y' axis drive belt
- 2 C2847-00029 Carriage belt
NO LONGER SUPPLIED

Bracket

- 3 07575-40125 Drive-tensioner bracket - For pen carriage drive belt tensioning wedge
- 4 C1633-60029 Y-drive assembly bracket
NO LONGER SUPPLIED
- 5 C2858-00007 Encoder spring bracket
NO LONGER SUPPLIED

Bushing

- 6 C1633-20034 Bushing for reduction pulley
- 7 C2858-40016 Carriage bushing - Supports front of carriage on slider rod
NO LONGER SUPPLIED
- 8 C2858-40017 Rear slider rod bushing (Spring loaded) - Slides into the rear center of the carriage assembly

Cable

- 9 C2858-60024 Carriage assembly trailing cable
NO LONGER SUPPLIED

Carriage

- 10 C2858-60023 Pen carriage assembly - Drafting 'Head' assembly (Holds the four ink cartridges)
NO LONGER SUPPLIED

Clamp

- 11 07575-40013 Left belt clamp - Attaches carriage belt to carriage
NO LONGER SUPPLIED
- 12 07575-40014 Right belt clamp - Attaches carriage belt to carriage
NO LONGER SUPPLIED

Encoder

- 13 C2858-60010 Linear encoder IC - Detects carriage position as it moves along encoder strip
NO LONGER SUPPLIED

Motor

- 14 C2847-60221 Motor assembly - Includes power cable
NO LONGER SUPPLIED

Pulley

- 15 07570-60105 Idler pulley - For main drive belt
- 16 07570-60112 Idler drive pulley - Applies tension to the pen carriage drive belt (small belt)
- C3170-60009 Reduction pulley - Between the motor belt and carriage belt
NO LONGER SUPPLIED

Spring

- 18 1460-2061 Extension spring - Zinc plated music wire, 0.875in long, 0.187in OD, 0.020in wire diameter, 1.8 in/lb rate - For pen carriage drive belt pulley tensioning wedge
NO LONGER SUPPLIED
- 19 C1633-80014 Compression spring - For the rear bushing on the carriage
- 20 C2858-00006 Encoder spring
NO LONGER SUPPLIED

Wedge

- 21 07550-40104 Tensioning wedge (cam tensioner) - For the pen carriage drive belt pulley
NO LONGER SUPPLIED



Electronic Accessories

Cable (Interface)

17255D	RS-232C serial cable - 25 pin (M) to 25 pin (F) - 1.2m (3.9ft) long NO LONGER SUPPLIED
17302A	RS-232C serial cable - 25 pin (M) to 8 pin (M) DIN - 1.5m (4.9ft) long NO LONGER SUPPLIED
24540-80010	Centronics (parallel) cable - 36 pin (M) to 25 pin (M) - 2.0m (6.6ft) long
24542G	RS-232C serial cable - 25 pin (M) to 9 pin (F) - 3.0m (9.8ft) long - Used to connect to HP Vectra and IBM PC/AT compatibles
5063-1256	IEEE-1284 Bi-Tronics parallel cable - DB-25 (M) connector (type A) to 36 pin Centronics (M) connector (type B) - 2.0m (6.6ft) long
5063-1257	IEEE-1284 Bi-Tronics parallel cable - DB-25 (M) connector (type A) to 36 pin Centronics (M) connector (type B) - 3.0m (9.8ft) long
C2913A	RS-232C serial cable - 25 pin (M) to 25 pin (F) - 1.2m (3.9ft) long NO LONGER SUPPLIED
C2950A	IEEE-1284 Bi-Tronics parallel cable - DB-25 (M) connector (type A) to 36 pin Centronics (M) connector (type B) - 2.0m (6.6ft) long
5063-1256	<i>New Part for C2950A</i>
C2951A	IEEE-1284 Bi-Tronics parallel cable - DB-25 (M) connector (type A) to 36 pin Centronics (M) connector (type B) - 3.0m (9.8ft) long
C2990A	IEEE-1284 Bi-Tronics parallel cable - DB-25 (M) (type A) to 36 pin (M) Centronics (type B) - 1.8m (6ft) long NO LONGER SUPPLIED
C2991A	IEEE-1284 Bi-Tronics parallel cable - DB-25 (M) (type A) to 36 pin (M) Centronics (type B) - 3.0m (10ft) long NO LONGER SUPPLIED

Memory (Product)

C2065A	4MB, 80nS, 36-bit SIMM memory module - For HP LaserJet III Si, 4/4M, 4Si/MX NO LONGER SUPPLIED
C2066A	8MB, 80nS, 36-bit SIMM memory module - For HP LaserJet III Si, 4/4M, 4Si/MX

Memory (SIMM)

D2152-69001	8MB, 80nS, 36-bit SIMM memory module REQUIRES RETURN OF DEFECTIVE PART
D2152-63001	<i>New Part for D2152-69001</i>
D2156-69001	4MB, 80nS, 36-bit SIMM memory module REQUIRES RETURN OF DEFECTIVE PART
D2156-63001	<i>New Part for D2156-69001</i>
D3578-69001	32MB, 70nS, 36-bit parity SIMM memory module REQUIRES RETURN OF DEFECTIVE PART
D3578-63001	<i>New Part for D3578-69001</i>

PostScript

C2882-60001	Adobe's PostScript (Level 2) SIMM module NO LONGER SUPPLIED
-------------	--

Electronics/Power Supply

Bracket

C1633-40064	Media sensor mounting bracket
-------------	-------------------------------

Cable

C2847-60005	Power supply cable - Has 12 pin (F) connectors - 33cm (13 inches) long NO LONGER SUPPLIED
C2858-60011	Cable harness assembly which connects the main logic board to the primer assembly, the primer sensor, the drop sensor, and the bail sensor cable NO LONGER SUPPLIED



Electronics/Power Supply

Control Panel

42 C2847-60087 Control panel assembly - Includes ribbon cable
NO LONGER SUPPLIED

Ferrite Assembly

43 9170-1535 Split ferrite - Installed inside electronics enclosure
NO LONGER SUPPLIED

Firmware

44 C2858-60162 ROM SIMM (Version 5.2) - Plugs into main logic board
NO LONGER SUPPLIED

IC ROM

45 1818-5637 EEPROM (U42) - On main logic board
NO LONGER SUPPLIED

Insulator

46 C1633-00080 Power supply insulator (Bottom)
NO LONGER SUPPLIED

47 C2847-00019 Power supply insulator (Top) - Installed over the power supply
NO LONGER SUPPLIED

PC Board

48 0950-2417 Power supply board
NO LONGER SUPPLIED

49 C2858-60105M Interconnect board

50 C2858-69207 Main logic board
NO LONGER SUPPLIED

Power Cord

8120-0698 Power cord (Black) - 18 AWG, 2.3m (7.5ft) long - Has straight (F) receptacle (For 220V/240V in the USA and Canada)

8120-1351 Power cord (Mint Gray) - 17 AWG, 2.3m (7.5ft) long - Has straight (F) receptacle (For 240V in the UK, Hong Kong, Singapore, Malaysia, and Brunei)

8120-1369 Power cord (Mint Gray) - 17 AWG, 2.0m (6.6ft) long - Has straight (F) receptacle (For 240V in Australia, New Zealand, and China)

8120-1378 Power cord (Jade Gray) - 18 AWG, 2.3m (7.5ft) long - Has straight (F) receptacle (For 120V in USA, Canada, Latin America, Korea, Taiwan, Thailand, Spain, Brazil, and Vietnam)

8120-1689 Power cord (Mint Gray) - 17 AWG, 2.0m (6.6ft) long - Has straight (F) receptacle (For 220V in Europe, Bangladesh, Indonesia, Pakistan, Burma, Sri Lanka, and Vietnam)

8120-2104 Power cord (Mint Gray) - 2.0m (6.6ft) long - Has straight (F) receptacle (For 220V in Switzerland)

8120-2956 Power cord (Mint Gray) - 2.0m (6.6ft) long - Has straight (F) receptacle (For 220V in Denmark)

8120-4211 Power cord (Mint Gray) - 17 AWG, 2.0m (6.6ft) long - Has straight (F) receptacle (For 240V in South Africa and India)

Receptacle

59 C1633-60020 AC power receptacle assembly - Includes receptacle, wires, grounding lug, and socket to power supply
NO LONGER SUPPLIED

Sensor

60 C2858-60007 Optical primer sensor - Used to determine initial position of the primer assembly cam

Switch

61 C2847-60044 Power switch assembly - Includes cable
NO LONGER SUPPLIED

External Case Parts

Bin

62 C2847-00005 Media bin back - For top of wire rack below plotter
NO LONGER SUPPLIED

63 C2847-00006 Media bin front - Main part of wire rack below plotter
NO LONGER SUPPLIED



External Case Parts

Bin

64 C2847-00012 Media bin adjust - Adjustable media bottom stop in wire rack
NO LONGER SUPPLIED

Caster

65 1492-0145 Lockable caster assembly - Includes stem and washer
NO LONGER SUPPLIED

Cover

66 C1633-00031 MIO slot access cover
67 C2847-00010 Electronic enclosure cover
NO LONGER SUPPLIED
68 C2858-40044 Right end cover - For end of upper stand (Chassis) assembly
NO LONGER SUPPLIED
69 C2858-60215 Left end cover assembly - For end of upper stand (Chassis)
NO LONGER SUPPLIED

Cross-Brace

70 C3185-00034 Cross-brace - Main structure that extends between stand legs
NO LONGER SUPPLIED

Enclosure

C2847-60004 Enclosure (Outer) - Metal structure installed over the inner electronics enclosure
NO LONGER SUPPLIED
72 C2847-60018 Enclosure (inner) - Metal structure that forms the base of the electronics enclosure ssembly
NO LONGER SUPPLIED

Hardware Kit

C2847-60061 Hardware kit - Package of 6 screws for stand assembly
NO LONGER SUPPLIED

Hinge

74 07575-40012 Male half of hinge (on window) - For lift-up window
NO LONGER SUPPLIED
75 07575-40111 Female half of hinge (on chassis) - For lift-up window
NO LONGER SUPPLIED

Holder

76 C1633-40094 Holder - For 'Help' card and hand held cutter
NO LONGER SUPPLIED

Keycap

77 5041-1203 Power switch keycap (White)

Leg

78 C2847-60002 Leg assembly - Side support with foot bar and 2 casters
NO LONGER SUPPLIED

Nameplate/Logo

79 C2858-00017 Nameplate - DesignJet 650C printer
NO LONGER SUPPLIED

Overlay

80 C2858-60026 Control panel overlay (English)
NO LONGER SUPPLIED
81 C2858-60027 Control panel overlay (German)
NO LONGER SUPPLIED
C2858-60026 *New Part for C2858-60027*
82 C2858-60028 Control panel overlay (Spanish)
NO LONGER SUPPLIED
83 C2858-60029 Control panel overlay (French)
NO LONGER SUPPLIED

www.druckparts.pl



External Case Parts

Overlay

84	C2858-60030	Control panel overlay (Japanese) NO LONGER SUPPLIED
85	C2858-60031	Control panel overlay (Italian) NO LONGER SUPPLIED
86	C2858-60033	Control panel overlay (Portuguese) NO LONGER SUPPLIED

Plate

87	C2847-00027	SIMM Plate - Covers access to SIMM slot connectors NO LONGER SUPPLIED
----	-------------	--

Window

88	C2847-40003	Lift-up viewing window NO LONGER SUPPLIED
----	-------------	--

Optional Interfaces

Interface (Module)

J4101-61011	External JetDirect 300X print server module (10Base-T and 100Base-T) - Connects between printer parallel port and LAN network - Does NOT include power module - (J4101A, J4101B)
-------------	--

Interface (Product)

J2550B	EtherTwist (10Base-T) LAN interface board NO LONGER SUPPLIED
J2552B	LAN & LocalTalk interface - Has EtherTwist (10Base-T), ThinLAN (10Base-2), and LocalTalk (DIN-8) connectors NO LONGER SUPPLIED
J2555B	Token ring LAN interface board - DB-9 and RJ-45 connectors NO LONGER SUPPLIED
J2590A	External JetDirect LAN interface module with RJ-45 connector for EtherTwist (10Base-T) or 100VG/802.12 input and 3 parallel (DB-25) output connectors NO LONGER SUPPLIED
J2591A	External JetDirect LAN interface module and power module - Has EtherTwist (10Base-T) and ThinLAN (10Base-2) connectors NO LONGER SUPPLIED
J3258B	External JetDirect 170X LAN interface module - Interfaces a parallel printer to an ethernet 10Base-T (RJ-45) LAN
J3264A	External JetDirect 500X token ring interface module - Interfaces up to 3 parallel printers to a token ring (DB-9 or RJ-45) LAN
J3265A	External JetDirect 500X LAN interface module - Interfaces up to 3 parallel printers to an ethernet 10Base-T (RJ-45), 10Base2 (BNC), or 100Base-TX (RJ-45) LAN

Module

J2382-69003	External JetDirect LAN interface module with ethertwist (10Base-T) and ThinLAN (10BASE-2) connectors
J2383-61005	External token ring interface module - Has DB-9 connector
J2590-69001	External JetDirect LAN interface module with RJ-45 connector for ethertwist (10Base-T) or 100VG/802.12 input and 3 parallel (DB-25) output connectors REQUIRES RETURN OF DEFECTIVE PART
J2590-61011	<i>New Part for J2590-69001</i>
J2591-69001	External JetDirect LAN interface module with ethertwist (10Base-T) and ThinLAN (10BASE-2) connectors
J2592-69001	External JetDirect LAN interface module with ethertwist (10Base-T) connector REQUIRES RETURN OF DEFECTIVE PART
J2592-61001	<i>New Part for J2592-69001</i>
J2593-69001	External JetDirect LAN interface module with Ethertwist (10Base-T) and ThinLAN (10BASE-2) input connectors and 3 parallel (DB-25) output connectors - (part of J2593A)
J2594-69001	External JetDirect token ring interface module with DB-9 and RJ-45 input connectors and 3 parallel (DB-25) output connectors - (part of J2594A) REQUIRES RETURN OF DEFECTIVE PART
J2594-61011	<i>New Part for J2594-69001</i>



Optional Interfaces

Module	
J3258-61011	External JetDirect LAN interface module with EtherTwist (10Base-T) connector - (J3258A, J3258B)
J4102-69011	External JetDirect LAN interface module with EtherTwist (10Base-T) connector - (J4102A, J4102B) REQUIRES RETURN OF DEFECTIVE PART
J4102-61011	<i>New Part for J4102-69011</i>

Module (Product)	
J4101B	External JetDirect LAN interface module with EtherTwist (10Base-T/Base-TX) connector
J4102B	External JetDirect LAN interface module with EtherTwist (10Base-T) connector

PC Board (Interface)	
J2371-69001	EtherTwist 10Base-T interface board NO LONGER SUPPLIED
J2372-69001	LAN interface board with EtherTwist 10Base-T and ThinLAN 10Base-2 connectors
J4100-69001	<i>New Part for J2372-69001</i>
J2373-60001	Token ring interface board - Has DB-9 connector NO LONGER SUPPLIED
J2550-69013	EtherTwist 10Base-T LAN interface board
J2552-69013	LAN and LocalTalk interface - EtherTwist (10Base-T), ThinLAN (10Base-2), and LocalTalk (DIN-8) connectors
J2555-69013	Token ring LAN interface board - DB-9 and RJ-45 connectors

Power Cord	
8120-1351	Power cord (Mint Gray) - 17 AWG, 2.3m (7.5ft) long - Has straight (F) receptacle (For 240V in the UK, Hong Kong, Singapore, Malaysia, and Brunei)
8120-1369	Power cord (Mint Gray) - 17 AWG, 2.0m (6.6ft) long - Has straight (F) receptacle (For 240V in Australia, New Zealand, and China)
8120-1378	Power cord (Jade Gray) - 18 AWG, 2.3m (7.5ft) long - Has straight (F) receptacle (For 120V in USA, Canada, Latin America, Korea, Taiwan, Thailand, Spain, Brazil, and Vietnam)
8120-1689	Power cord (Mint Gray) - 17 AWG, 2.0m (6.6ft) long - Has straight (F) receptacle (For 220V in Europe, Bangladesh, Indonesia, Pakistan, Burma, Sri Lanka, and Vietnam)
8120-2104	Power cord (Mint Gray) - 2.0m (6.6ft) long - Has straight (F) receptacle (For 220V in Switzerland)
8120-2956	Power cord (Mint Gray) - 2.0m (6.6ft) long - Has straight (F) receptacle (For 220V in Denmark)
8120-4753	Power cord (Flint Gray) - 18 AWG, 2.3m (7.5ft) long - Has straight (F) receptacle (For 100V in Japan)
8120-6302	'Daisy chain' power cord (Dove Gray) - 18 AWG, 1.2m (4.0ft) long - Has C14 (M) plug for power input and C13 (F) plug for power output

Power Module	
0950-2372	Power supply module - 100-240VAC input, 47-63Hz, requires separate AC power cord - 5VDC output, 1A, 5 watts - For J2382/83A/B
0950-3169	Wall mount power supply module - 110-127V AC 57-63Hz input - 13V DC output at 300mA (USA, Canada) - For use with the J2592A external JetDirect LAN interface module
0950-3170	Power supply module - 209-253VAC input, 47-53Hz - 13VDC output, 300mA (Europe, Israel) - For use with the J2592A external JetDirect LAN interface module
0950-3171	Power supply module - 220-240VAC input, 47-53Hz - 13VDC output, 300mA (U.K., Hong Kong) - For use with the J2592A external JetDirect LAN interface module
0950-3172	Power supply module - 240VAC input, 47-53Hz - 13VDC output, 300mA (Australia) - For use with the J2592A external JetDirect LAN interface module
0950-3348	Wall mount power supply module (MEI-AH ED12006) - 110-127VAC input, 57-63Hz - 13VDC output, 800mA, 10.4 watts (for use in the United States and Canada) - For models J2590/91/93/94A, J2964A, J3258A/B, J3263/64/65A, J3282B, J4101A/B, J4102A/B
0950-3349	Wall mount power supply module (MEI-AH ED12007) - 230VAC input, 47-53Hz - 13VDC output, 800mA, 10.4 watts (for use in Europe and Israel) - For JetDirect/infrared interface models J2590/91/93/94A, J2964A, J3258A/B, J3263/64/65A, J3282B, J4101A/B, J4102A/B
0950-3350	Wall mount power supply module (MEI-AH ED12008) - 220-240VAC input, 47-53Hz - 13VDC output, 800mA, 10.4 watts (for use in the United Kingdom) - For JetDirect/infrared interfaces J2590/91/93/94A, J2964A, J3258A/B, J3263/64/65A, J3282B, J4101A/B, J4102A/B



Optional Interfaces

Power Module

0950-3351	Wall mount power supply module (MEI-AH ED12009) - 220VAC input, 47-63Hz - 13VDC output, 800mA, 10.4 watts (for use in South Korea) - For JetDirect/infrared interface models J2590/91/93/94A, J2964A, J3258A/B, J3263/64/65A, J3282B, J4101A/B, J4102A/B
0950-3352	Wall mount power supply module (MEI-AH ED12010) - 100VAC input, 47-63Hz - 13VDC output, 800mA, 10.4 watts (for use in Japan) - For JetDirect/infrared interface models J2590/91/93/94A, J2964A, J3258A/B, J3263/64/65A, J3282B, J4101A/B, J4102A/B
0950-3354	Wall mount power supply module (MEI-AH ED12010) - 220-250VAC input, 47-53Hz - 13VDC output, 800mA, 10.4 watts (for use in South Africa) - For JetDirect/infrared interface models J2590/91/93/94A, J2964A, J3258A/B, J3263/64/65A, J3282B, J4101A/B, J4102A/B
9100-5176	Wall mount power supply module (Leader Electronics 48130625HK) - 200VAC input, 48-52Hz - 13VDC output, 625mA (Hong Kong) - For JetDirect Modules and Infrared Interface Models J2590/91/93/94A, J2964A, J3258A/B, J3263/64/65A, J3282B, J4101A/B, J4102A/B
0950-3350	<i>New Part for 9100-5176</i>

Other Accessories

CD-ROM (Support)

C7769-90066	DesignJet support CD ROM - Version A.04.01 - Has product information, user's manuals, service manuals, diagnostic software, test drawings, newsletters, and service notes
-------------	---

Cartridge

51640A	Black print cartridge (w/ level indicator) - Prints approx. 1120 pages based on 5% density on a 8 inch by 10 inch print area (for USA)
51640AA	Black print cartridge (with level indicator) - Prints approx. 1120 pages based on 5% density on a 8 inch by 10 inch print area (for Asia/Pacific)
51640AE	Black print cartridge (with level indicator) - Prints approx. 1120 pages based on 5% density on a 8 inch by 10 inch print area (for Europe)
51640AL	Black print cartridge (with level indicator) - Prints approx. 1120 pages based on 5% density on a 8 inch by 10 inch print area (for Latin America)
51650C	Cyan (Blue) ink cartridge (with level indicator) - For USA
51650CA	Cyan (Blue) ink cartridge (with level indicator) - For Asia/Pacific
51650CE	Cyan (Blue) ink cartridge (with level indicator) - For Europe
51650CL	Cyan (Blue) ink cartridge (with level indicator) - For Latin America
51650M	Magenta (Red) ink cartridge (with level indicator) - For USA
51650MA	Magenta (Red) ink cartridge (with level indicator) - For Asia/Pacific
51650ME	Magenta (Red) ink cartridge (with level indicator) - For Europe
51650ML	Magenta (Red) ink cartridge (with level indicator) - For Latin America
51650Y	Yellow ink cartridge (with level indicator) - For USA
51650YA	Yellow ink cartridge (with level indicator) - For Asia/Pacific
51650YE	Yellow ink cartridge (with level indicator) - For Europe
51650YL	Yellow ink cartridge (with level indicator) - For Latin America

Cleaning Supplies

C6247A	DesignJet cleaning kit - Includes cleaning solution and 20 cleaning rags
--------	--

Envelope

5960-8286	Final exam return envelopes - Contains 10 envelopes
-----------	---

Kit

5182-7317	Maintenance kit - Carriage assembly, left bail bracket, reduction pulley, service station kit, 'Y' belt, and a small end cap for the paper spindle (for sale in Korea/Asia Pacific ONLY) NO LONGER SUPPLIED
-----------	--



Other Accessories

Label

C3195-00057 Safety label - Provides warning that encoder strip is sharp

Lubricant

6040-0854 Synthetic Oil (1/2oz Plastic Bottle - for lubricating the front and rear slider rods

6040-0855 Synthetic oil - 4oz (113g) plastic bottle

C3190-60155 Grease - For helical gear (Drive roller gear)

Manual

07595-90001 HP-GL reference guide - Programming information
NO LONGER SUPPLIED

5959-9733 HP-GL/2 & HP RTL reference guide - Programming information, handbook for developers

5960-3743 HP RTL reference guide - Programming information

C2858-90000 DesignJet 650C service manual (English)
NO LONGER SUPPLIED

Manual Kit

C2858-90169 DesignJet 650C manual kit - Includes 'Using Front Panel', 'Setting Up for Plotting', and 'Quick Reference' guides (English)
NO LONGER SUPPLIED

C2858-90170 DesignJet 650C manual kit - Includes 'Using Front Panel', 'Setting Up for Plotting', and 'Quick Reference' guides (Chinese)
NO LONGER SUPPLIED

C2858-90171 DesignJet 650C manual kit - Includes 'Using Front Panel', 'Setting Up for Plotting', and 'Quick Reference' guides (Thai)
NO LONGER SUPPLIED

C2858-90172 DesignJet 650C manual kit - Includes 'Using Front Panel', 'Setting Up for Plotting', and 'Quick Reference' guides (German)
NO LONGER SUPPLIED

C2858-90173 DesignJet 650C manual kit - Includes 'Using Front Panel', 'Setting Up for Plotting', and 'Quick Reference' guides (French)
NO LONGER SUPPLIED

C2858-90174 DesignJet 650C manual kit - Includes 'Using Front Panel', 'Setting Up for Plotting', and 'Quick Reference' guides (Spanish)
NO LONGER SUPPLIED

C2858-90175 DesignJet 650C manual kit - Includes 'Using Front Panel', 'Setting Up for Plotting', and 'Quick Reference' guides (Italian)
NO LONGER SUPPLIED

C2858-90176 DesignJet 650C manual kit - Includes 'Using Front Panel', 'Setting Up for Plotting', and 'Quick Reference' guides (Japanese)
NO LONGER SUPPLIED

C2858-90177 DesignJet 650C manual kit - Includes 'Using Front Panel', 'Setting Up for Plotting', and 'Quick Reference' guides (Portuguese)
NO LONGER SUPPLIED

C2858-90178 DesignJet 650C manual kit - Includes 'Using Front Panel', 'Setting Up for Plotting', and 'Quick Reference' guides (Korean)
NO LONGER SUPPLIED

Packaging

C3195-60113 Repackaging kit - For main plotter unit
NO LONGER SUPPLIED

Return Kit

5183-5268 Return kit with box and instructions - For returning defective Thermal InkJet (TIJ) 2.5 InkJet cartridges covered under the CREW program - For USA

5184-2833 Return kit with box and instructions - For returning defective Thermal InkJet (TIJ) 2.5 InkJet cartridges covered under the CREW program - For use outside of the USA



Other Accessories

Software

- C6072-60281 Toolbox and driver software - HP-GL/2 and RTL drivers for Windows 3.1/95/98/NT 4.0 (all DesignJets), and toolbox software for Windows 95/NT 4.0 (Only for DesignJet 430/450C/455CA/1050C/1055CM) - On 3.5-inch 1.44MB floppy disks (English)
- C6072-60284 Toolbox and driver software - HP-GL/2 and RTL drivers for Windows 3.1/95/98/NT 4.0 (all DesignJets), and toolbox software for Windows 95/NT 4.0 (Only for DesignJet 430/450C/455CA/1050C/1055CM) - On 3.5-inch 1.44MB floppy disks (German)
- C6072-60285 Toolbox and driver software - HP-GL/2 and RTL drivers for Windows 3.1/95/98/NT 4.0 (all DesignJets), and toolbox software for Windows 95/NT 4.0 (Only for DesignJet 430/450C/455CA/1050C/1055CM) - On 3.5-inch 1.44MB floppy disks (French)
- C6072-60286 Toolbox and driver software - HP-GL/2 and RTL drivers for Windows 3.1/95/98/NT 4.0 (all DesignJets), and toolbox software for Windows 95/NT 4.0 (Only for DesignJet 430/450C/455CA/1050C/1055CM) - On 3.5-inch 1.44MB floppy disks (Spanish)
- C6072-60287 Toolbox and driver software - HP-GL/2 and RTL drivers for Windows 3.1/95/98/NT 4.0 (all DesignJets), and toolbox software for Windows 95/NT 4.0 (Only for DesignJet 430/450C/455CA/1050C/1055CM) - On 3.5-inch 1.44MB floppy disks (Italian)
- C6072-60301 HP-GL/2 driver software for AutoCAD - For DOS and Windows 3.1/95/NT 4.0 - On 3.5-inch 1.44MB floppy disks (English)
- C6072-60304 HP-GL/2 driver software for AutoCAD - For DOS and Windows 3.1/95/NT 4.0 - On 3.5-inch 1.44MB floppy disks (German)
- C6072-60305 HP-GL/2 driver software for AutoCAD - For DOS and Windows 3.1/95/NT 4.0 - On 3.5-inch 1.44MB floppy disks (French)
- C6072-60306 HP-GL/2 driver software for AutoCAD - For DOS and Windows 3.1/95/NT 4.0 - On 3.5-inch 1.44MB floppy disks (Spanish)
- C6072-60307 HP-GL/2 driver software for AutoCAD - For DOS and Windows 3.1/95/NT 4.0 - On 3.5-inch 1.44MB floppy disks (Italian)

Training Kit

- C2858A+49A-61 Self paced training kit for DesignJet 650C plotters - Includes service manual, NTSC format video (VHS), and ten tests
NO LONGER SUPPLIED
- C2858A+49A-62 Self paced training kit for DesignJet 650C plotters - Includes service manual, PAL format video (VHS), and ten tests
NO LONGER SUPPLIED

Other Internal Parts

Bracket

- 188 C2847-00051 Y-tensioner bracket on left side plate
NO LONGER SUPPLIED

Bushing

- 189 C3195-40076 Cutter bushing - Connects cutter assembly to slider rod

Cap

- C3190-40076 Cartridge cap - Keeps cartridges from drying out when carriage is parked in service station
NO LONGER SUPPLIED

Clamp

- 191 1400-1021 Cable clamp
- 192 9170-1533 Clamp - Holds ferrite in place within electronics enclosure
NO LONGER SUPPLIED

Cutter

- 193 C2858-60021 Cutter mechanism assembly - Auto cutter for rollfeed paper

Fan

- 194 3160-0814 Tubeaxial fan (Matsushita FBK-09A12M2-MOD) - 12VDC, 35.3cfm - Mounting hole center spacing 82.5mm, 25.5mm thick
NO LONGER SUPPLIED



Other Internal Parts

Guide

195 C4704-40109 MIO board guide

Housing

196 C1633-00033 MIO support - Metal housing for the plug-in MIO card - Does not include the board guides

NO LONGER SUPPLIED

197 C2858-40001 Service station housing
NO LONGER SUPPLIED

Primer

198 C2858-60003 Primer assembly - Mounts under the service station assembly on the left side of the plotter
NO LONGER SUPPLIED

Reservoir

199 C2858-40038 Reservoir - Attaches to left side chassis - Ink absorber is inserted into this reservoir
NO LONGER SUPPLIED

Sensor

200 C2847-60069 Sensor assembly (for lift-up window)
NO LONGER SUPPLIED

Service Station

201 C2858-60152 Service station kit - Includes service station cap, 4 primer tubes, absorber, sled, wiper, drop detect sensor, and bail sensor cable
NO LONGER SUPPLIED

Spring

202 C4723-80027 Cutter shim / bail spring
NO LONGER SUPPLIED

Strip

203 C4713-60098 Encoder strip assembly (D-size) - Includes encoder strip and encoder strip spring

Paper Drive Parts

Absorber

220 C2858-00078 Absorber
NO LONGER SUPPLIED

Bail

221 C2858-60114 Bail assembly - Has star wheel assemblies attached

Bail Lift Mechanism

222 C2858-60209 Bail lift mechanism kit - Includes cam gear, engaging lever, engaging lever gear, engaging lever spring, Y-tensioner bracket, bail lift cam, cam gear support, screws, and washers
NO LONGER SUPPLIED

Bearing

223 1410-0708 Sleeve bearing - Used on left end of overdrive assembly

Bracket

224 C1633-40037 Right bail bracket
NO LONGER SUPPLIED

225 C1633-40038 Left bail bracket

226 C2847-00051 Y-tensioner bracket on left side plate
NO LONGER SUPPLIED

Cable

227 C2847-60019 Ribbon cable - 5 pin (F) connector to 5 pin (F) connector - 40.3cm (15.9 inches) long
NO LONGER SUPPLIED



Paper Drive Parts

Cam

- 228 C1633-40052 Bail lift cam - Activates the bail lift lever (part of the bail lift mechanism kit)
NO LONGER SUPPLIED
- C3190-60149 Left cam journal - Mounted on left end of pincharm shaft

Gear

- 230 C1633-40019 Overdrive gear cluster
- 231 C1633-40027 Bail engaging lever gear
- 232 C1633-40028 Bail lift cam gear
NO LONGER SUPPLIED

Gear Assembly

- 233 C4705-60089 Clutch / overdrive gear assembly

Handle

- 234 C1633-40030 Pinchwheel manual lift handle - Paper loading lever
NO LONGER SUPPLIED

Hardware

- 235 0510-0083 Retaining E-ring - 0.250-in diameter, steel zinc-dichromate dip

Lever

- 236 C2847-40013 Bail engaging lever - Used to move engaging lever gear
NO LONGER SUPPLIED

Motor/Gear

- 237 C2848-60003 Motor/encoder assembly (includes helical drive gear) - 'X' axis drive - NOTE: motor and gear are only sold as a set

Mount

- 238 C1633-20006 'X' axis motor mount
NO LONGER SUPPLIED
- 239 C1633-40089 Overdrive mount block

Overdrive Assy

- 240 C4705-60121 Overdrive assembly (D) - Includes roller, enclosure, bushings

Plate

- 241 C1633-00009 Axial Bias Plate - Installed between the paper drive (Platen) Roller Assembly and the right frame
NO LONGER SUPPLIED

Platen

- 242 C2847-00041 Entry Platen - Installed over the paper drive (Platen) roller assembly
NO LONGER SUPPLIED

Reservoir

- 243 C2858-40039 Ink drop reservoir - Installs on right side of plotter

Roller

- 244 C4699-60042 Paper drive (Platen) roller assembly - Long gear driven roller - Includes roller and mark encoder

Sensor

- 245 C2847-60021 Media sensor assembly - Includes cable
- C2847-60022 Pincharm sensor - Includes cable
NO LONGER SUPPLIED
- 247 C3180-60034 Pincharm sensor - Includes cable
NO LONGER SUPPLIED

Spring

- 248 C1633-80006 Bail engaging lever spring
NO LONGER SUPPLIED

www.drukparts.pl



Paper Drive Parts

Starwheel Mount

249 C4713-60035 Starwheel mount assembly - Includes cover, body, spring and two starwheels

Support

250 C2847-40015 Cam gear support - Supports bail lift cam gear - Mounted on Y-tensioner bracket (Part of the bail lift mechanism kit)
NO LONGER SUPPLIED

C2858-60209 *New Part for C2847-40015*

Paper and Other Media

Film (Matte)

51642C Polyester matte film - B size (11 x 17-inches) - 40 sheets
NO LONGER SUPPLIED

51642A *New Part for 51642C*

51642F Polyester matte film - A3 size (29.7cm x 42.0cm) - 40 sheets
NO LONGER SUPPLIED

51642G Polyester matte film - D size (22 x 34-inches) - 40 sheets
NO LONGER SUPPLIED

51642A *New Part for 51642G*

51642H Polyester matte film - A1 size (59.4cm x 84.1cm) - 40 sheets
NO LONGER SUPPLIED

51642A Polyester matte film - 61cm (24in) x 36.6m (120ft) roll

51642J Polyester matte film - Architectural D size (24 x 36-inches) - 40 sheets
NO LONGER SUPPLIED

51642A *New Part for 51642J*

Paper

C3851A Opaque bond paper - 61cm (24in) x 45.7m (150ft) roll
NO LONGER SUPPLIED

C3855A Opaque bond paper - Architectural D size (24 x 36-inches) - 100 sheets
NO LONGER SUPPLIED

C1860A *New Part for C3855A*

C3889A Color InkJet cut sheet paper - Architectural D size (24 x 36-inches) - 100 sheets
NO LONGER SUPPLIED

51631D *New Part for C3889A*

Paper (InkJet)

51630Y Color InkJet CX cut sheet paper - A size (8.5 x 11-inches) - 200 sheets per package
NO LONGER SUPPLIED

51631A Color InkJet CX cut sheet paper - B size (11 x 17-inches) - 200 sheets per package
NO LONGER SUPPLIED

51631B Color InkJet CX cut sheet paper - A3 size (29.7cm x 42.0cm) - 200 sheets per package
NO LONGER SUPPLIED

51631G Color InkJet cut sheet paper - D size (22 x 34-inches) - 100 sheets per package
NO LONGER SUPPLIED

51631D *New Part for 51631G*

51631H Color InkJet cut sheet paper - A1 size (59.4cm x 84.1cm) - 100 sheets per package
NO LONGER SUPPLIED

51631D Color InkJet paper - 61cm (24in) x 45.7m (150ft) roll

51648D Heavyweight color InkJet paper - 61cm (24in) x 45.7m (150ft) roll
NO LONGER SUPPLIED



Roll Feed Parts

Brake/Housing

251 C4704-60199 Brake/housing assembly (on right side) - Accepts the flange end of the spindle rod assembly - Includes the 2 housing pieces, 2 brake shoes, brake gear, brake lever, and springs

Cover

252 C4705-60084 Rollfeed access cover - Opens forward to allow access to paper spindle assembly - Includes cover and springs

End Cap

253 C2858-40043 Spindle end cap (small) (or core spacer) - Removes for loading the media roll

254 C3172-40006 Spindle end cap (large)

Housing

255 C4704-60082 Housing assembly (on left side)

Spindle Kit

256 C2847-60093 Rollfeed spindle rod assembly (D-size) - Includes spindle and end caps

257 C3172A D/A1 rollfeed spindle rod assembly for DesignJet 6xx/7xx - Includes spindle and end caps

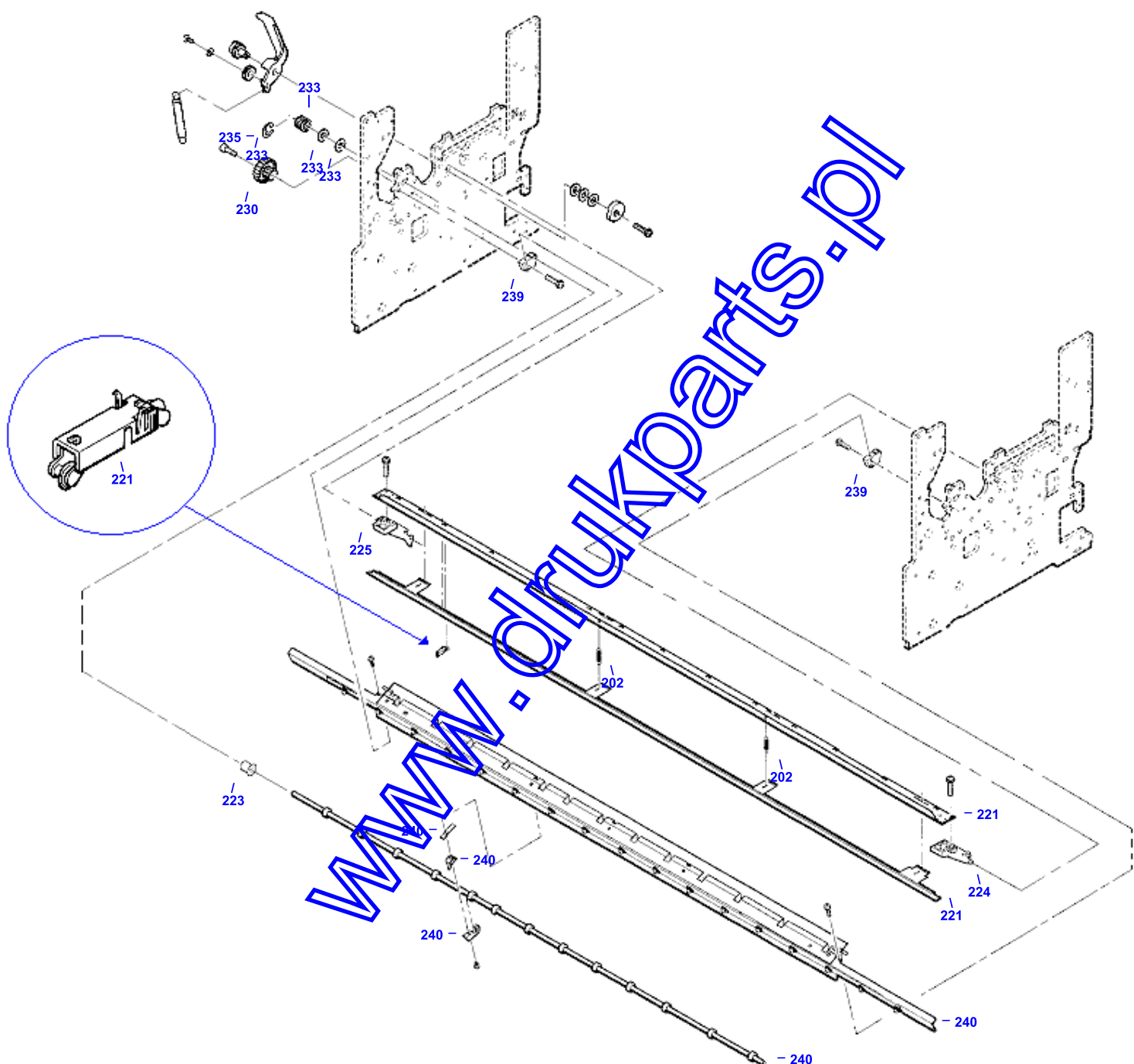
Spring

258 C2847-80001 Extension spring - Holds the rollfeed access cover closed
NO LONGER SUPPLIED

C4705-60084 *New Part for C2847-80001*

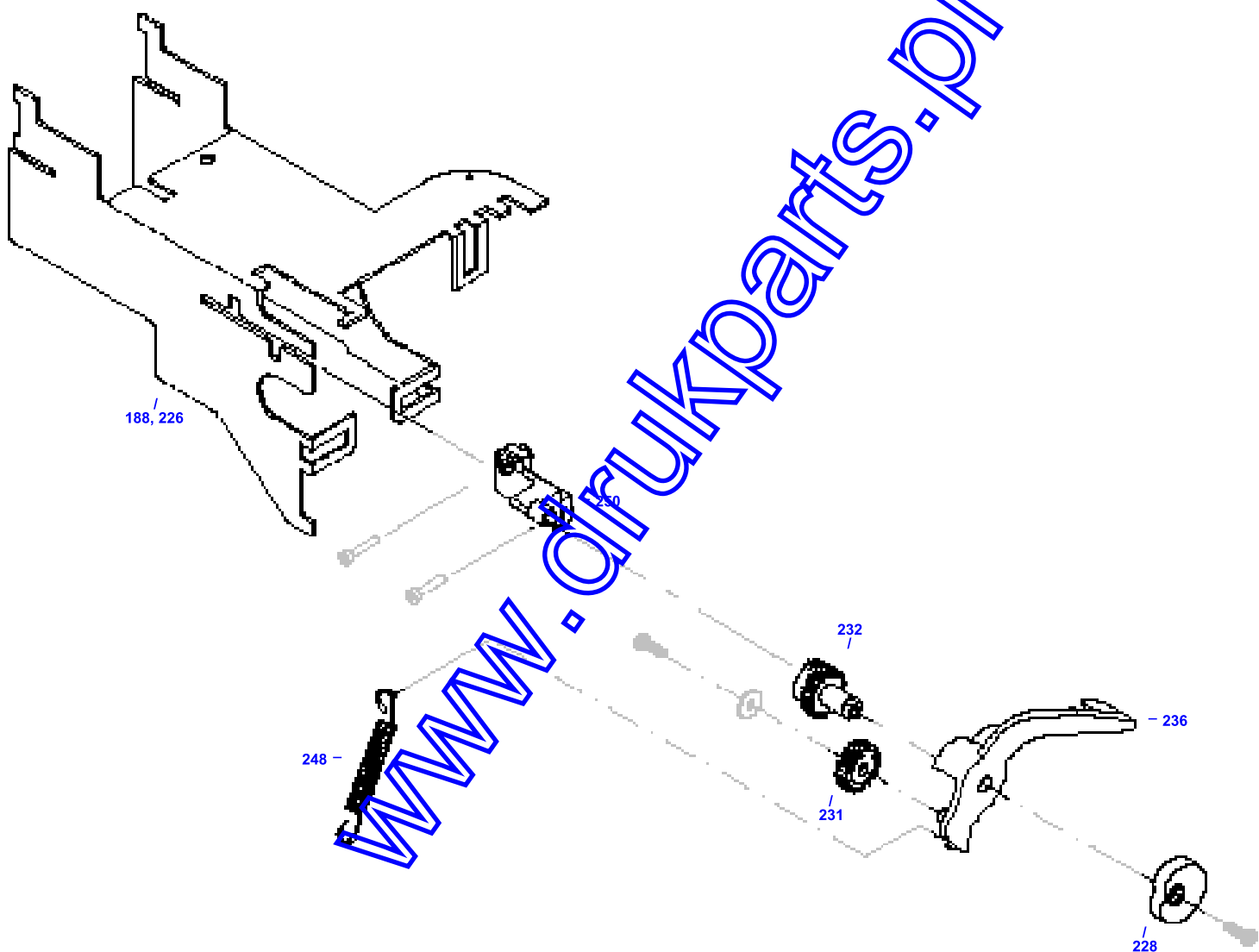
www.drukparts.nl

Bail and Overdrive Assemblies

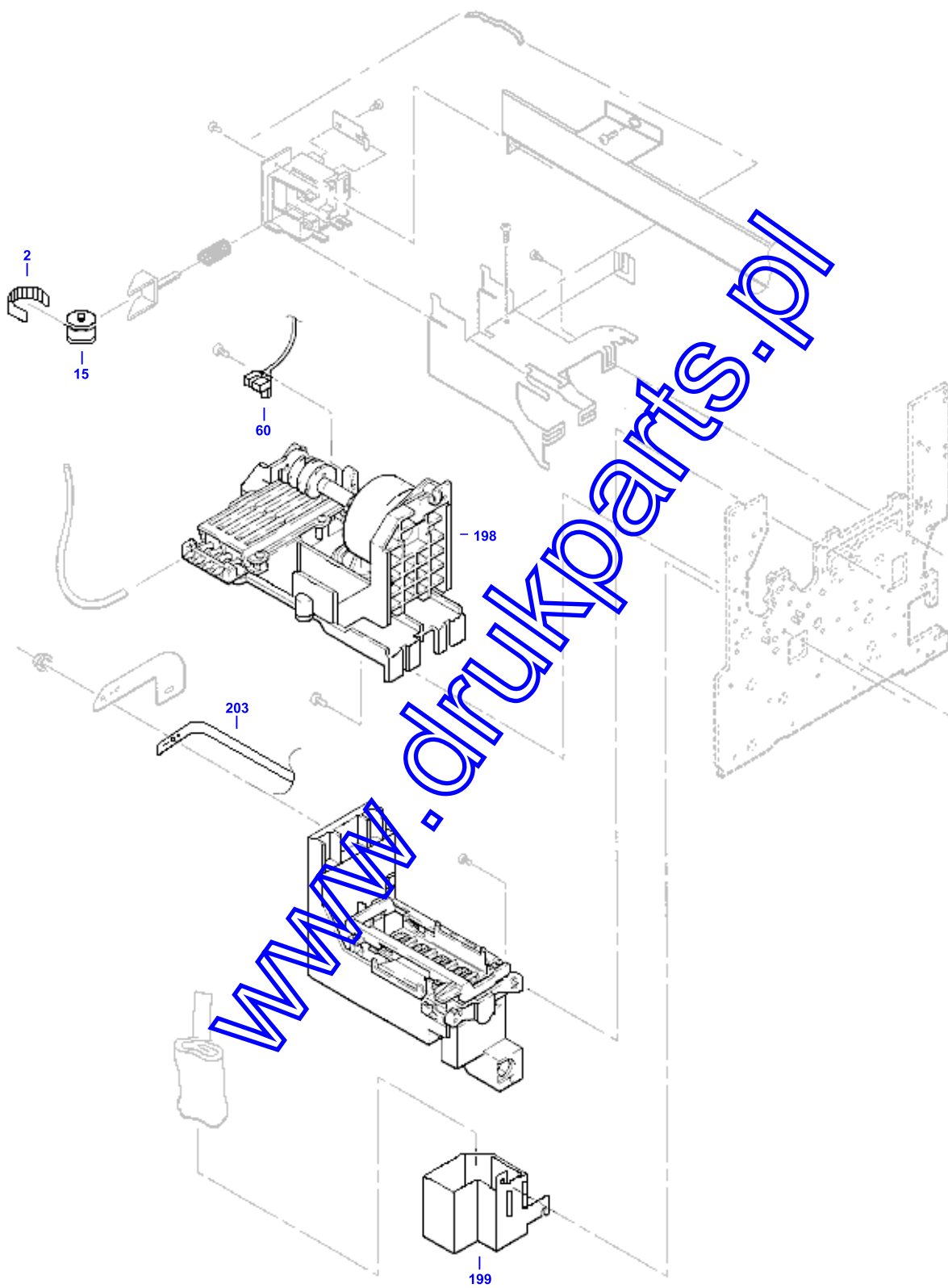


Bail Lift Mechanism Kit

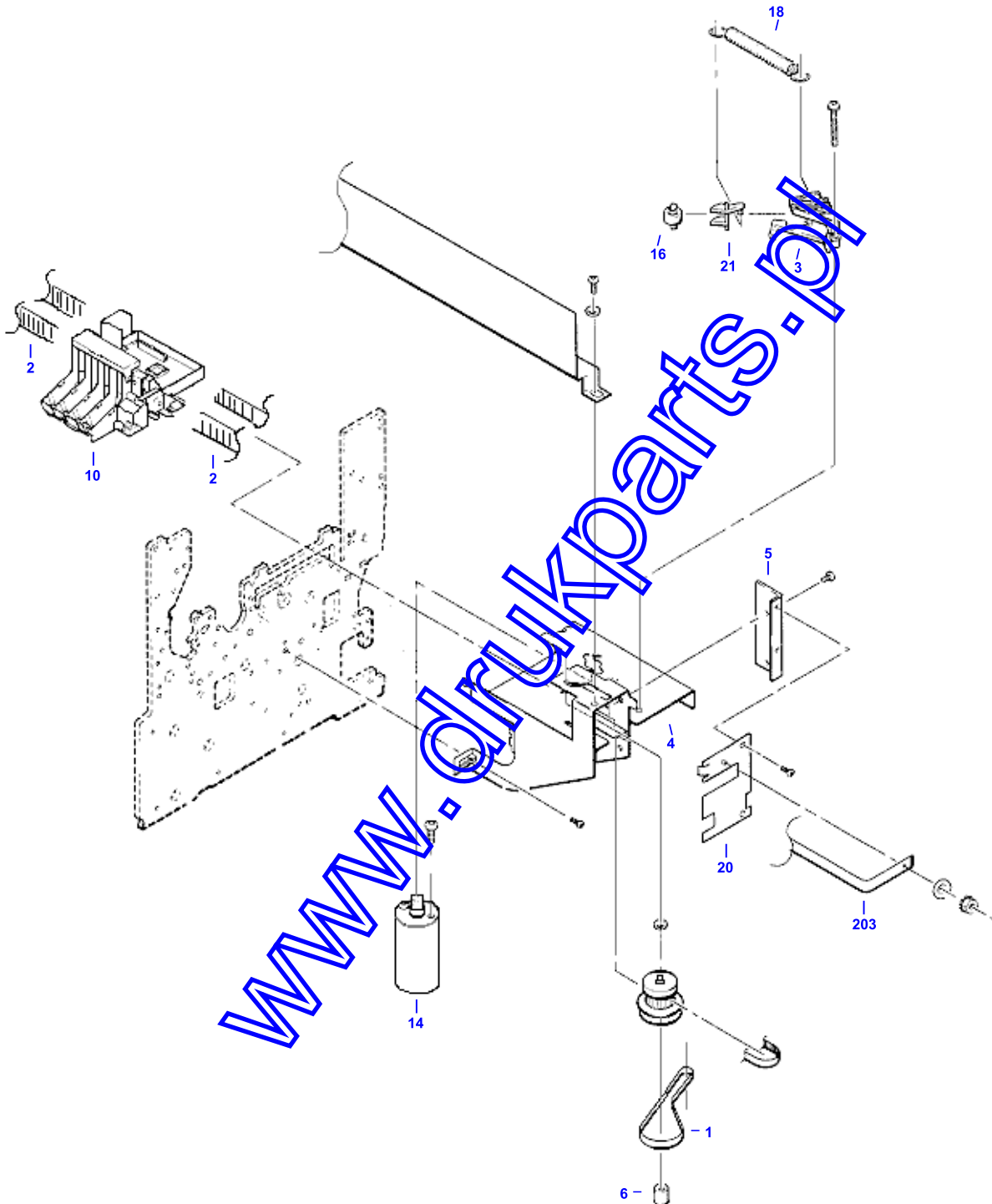
 Bail Lift Mechanism Kit - 222, 250



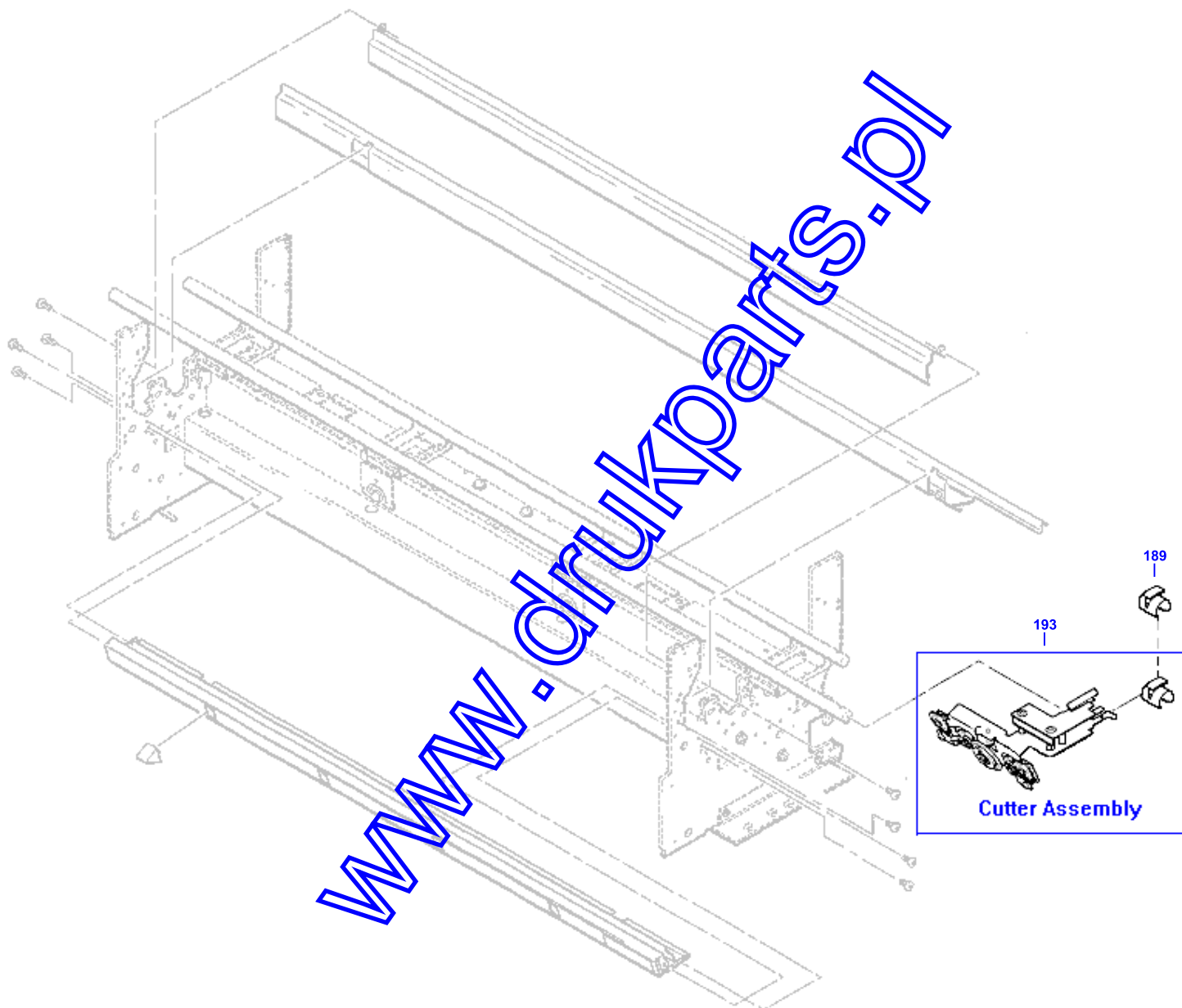
Carriage Axis Drive (Left End)



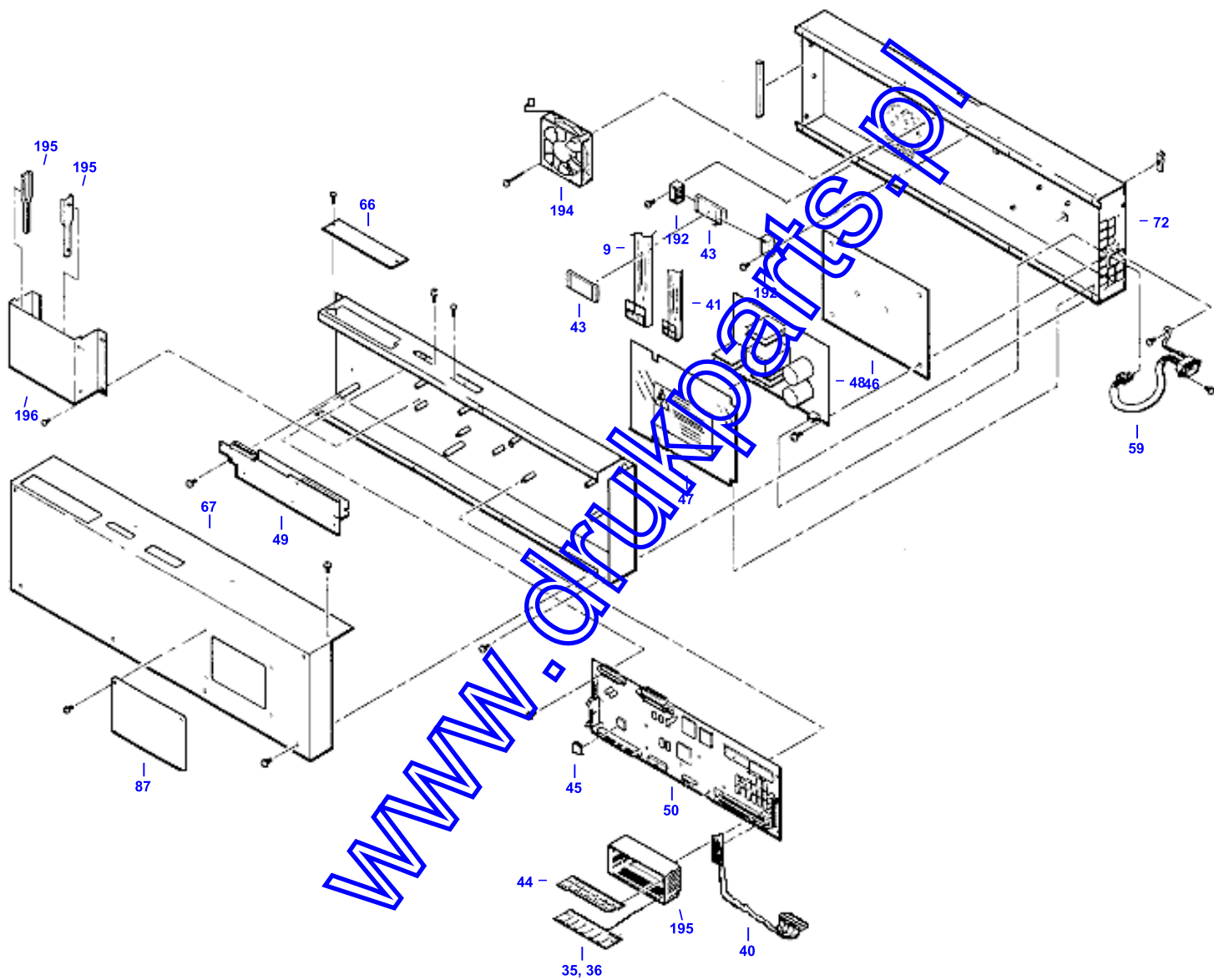
Carriage Axis Drive (Right End)



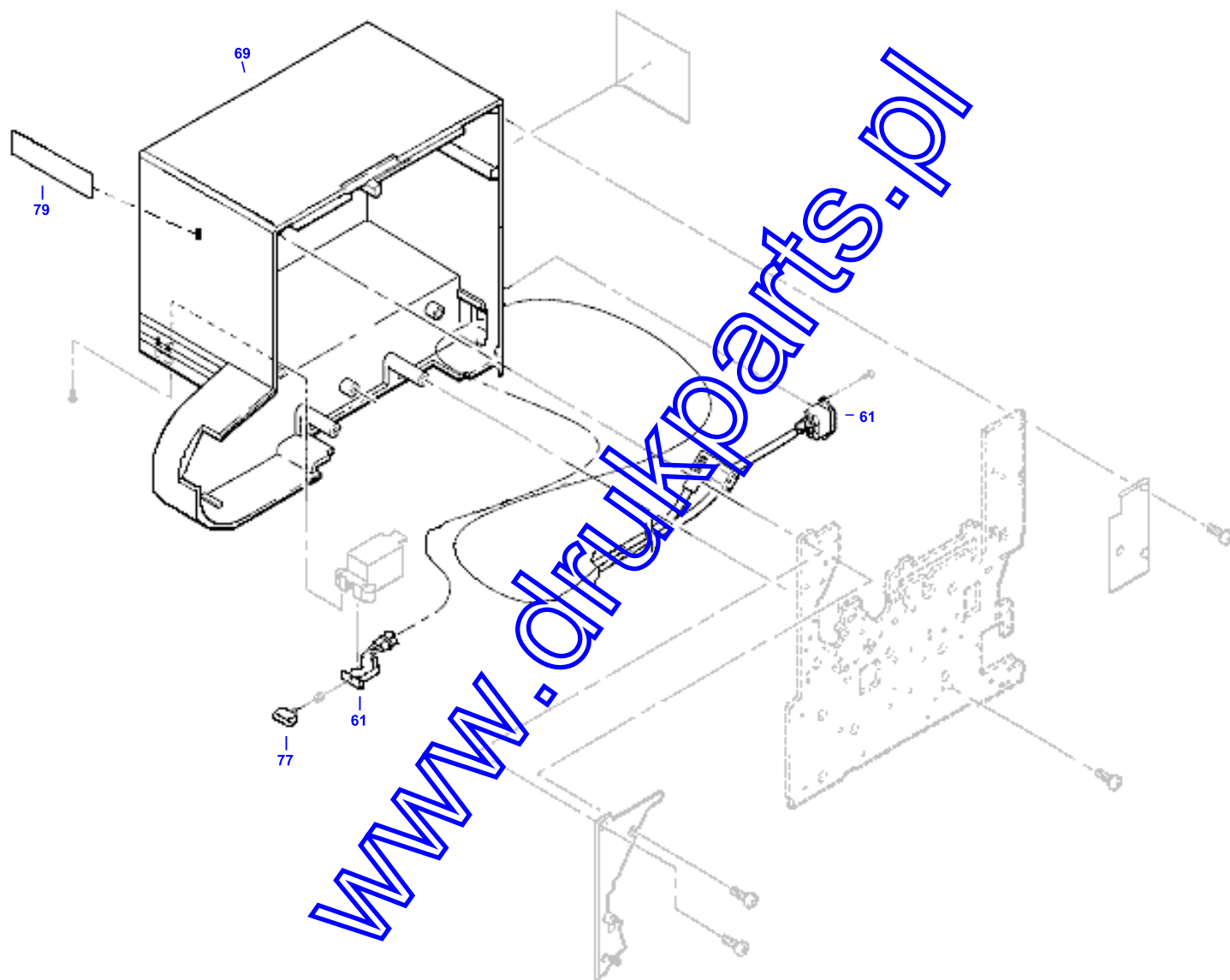
Cutter Assembly



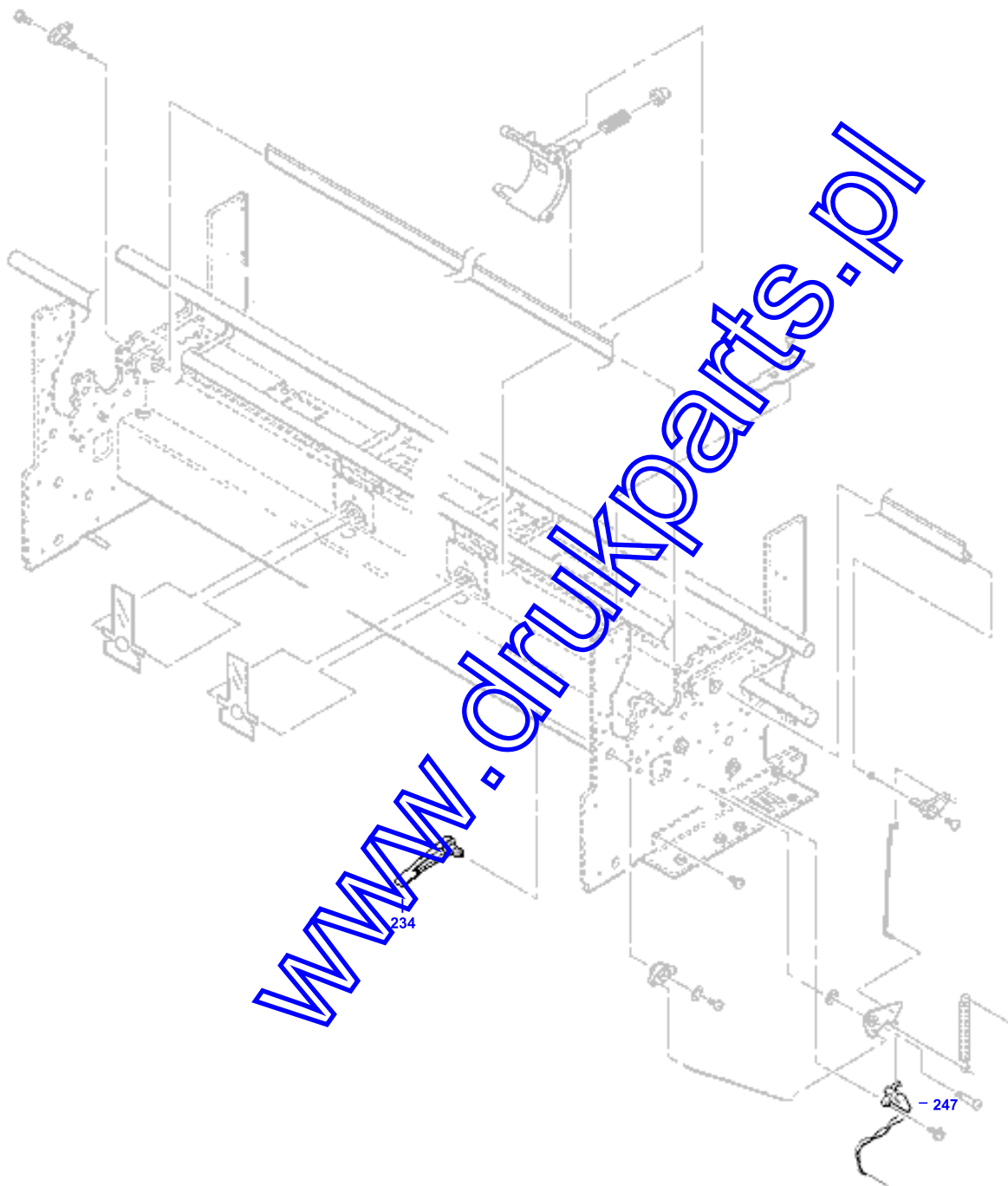
Electronics Enclosure



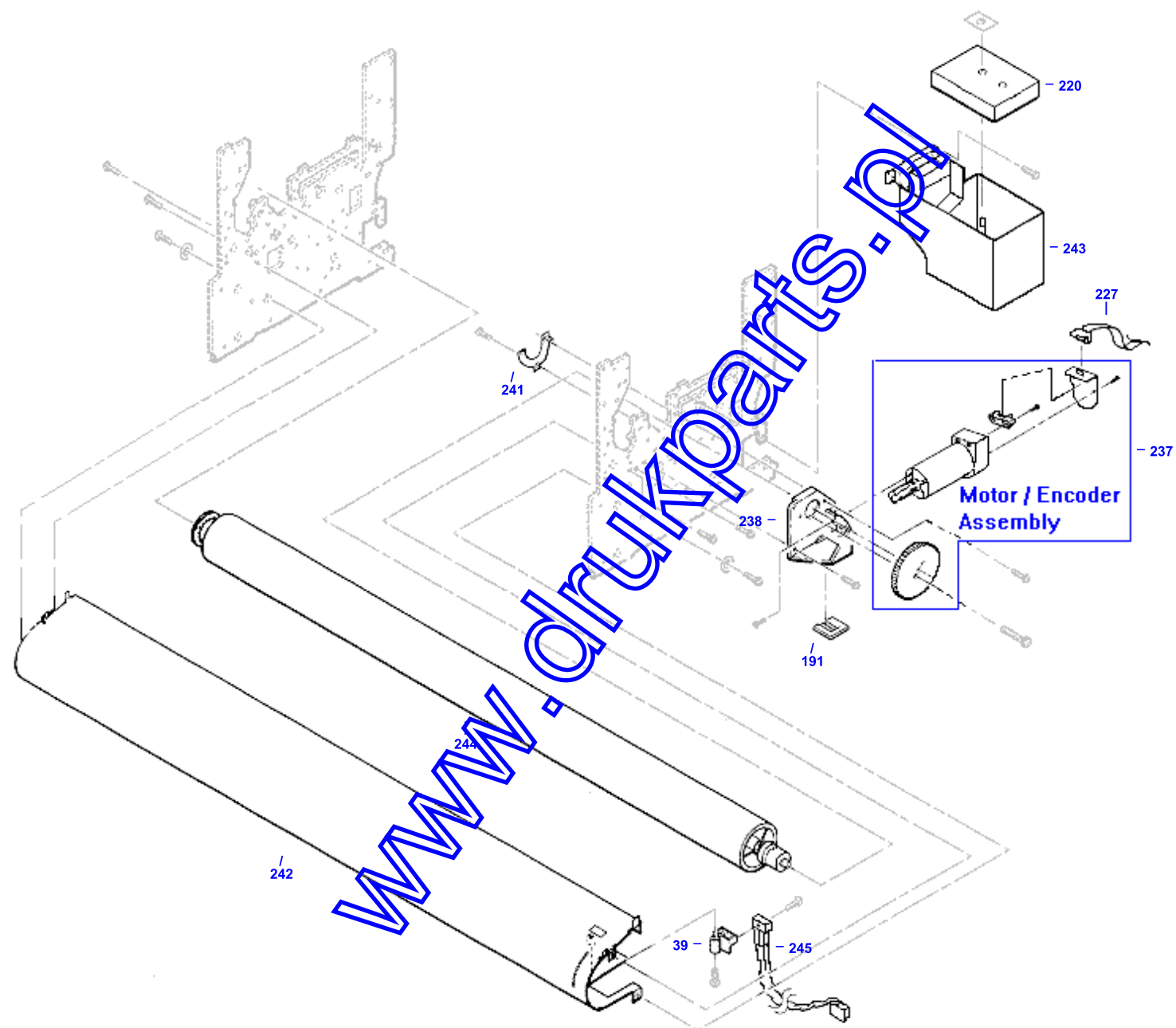
Left Endcover and Trim



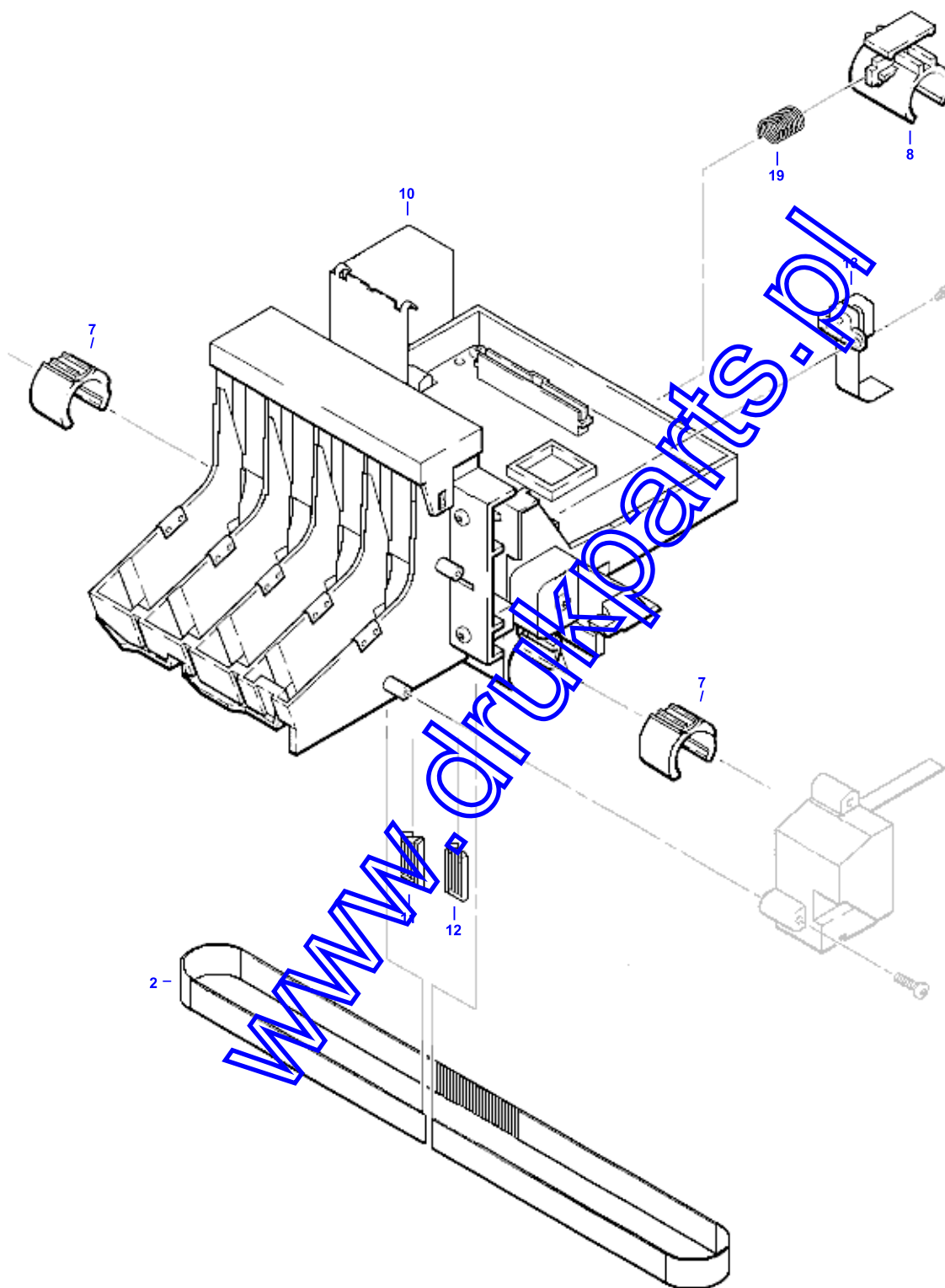
Manual Lift Lever



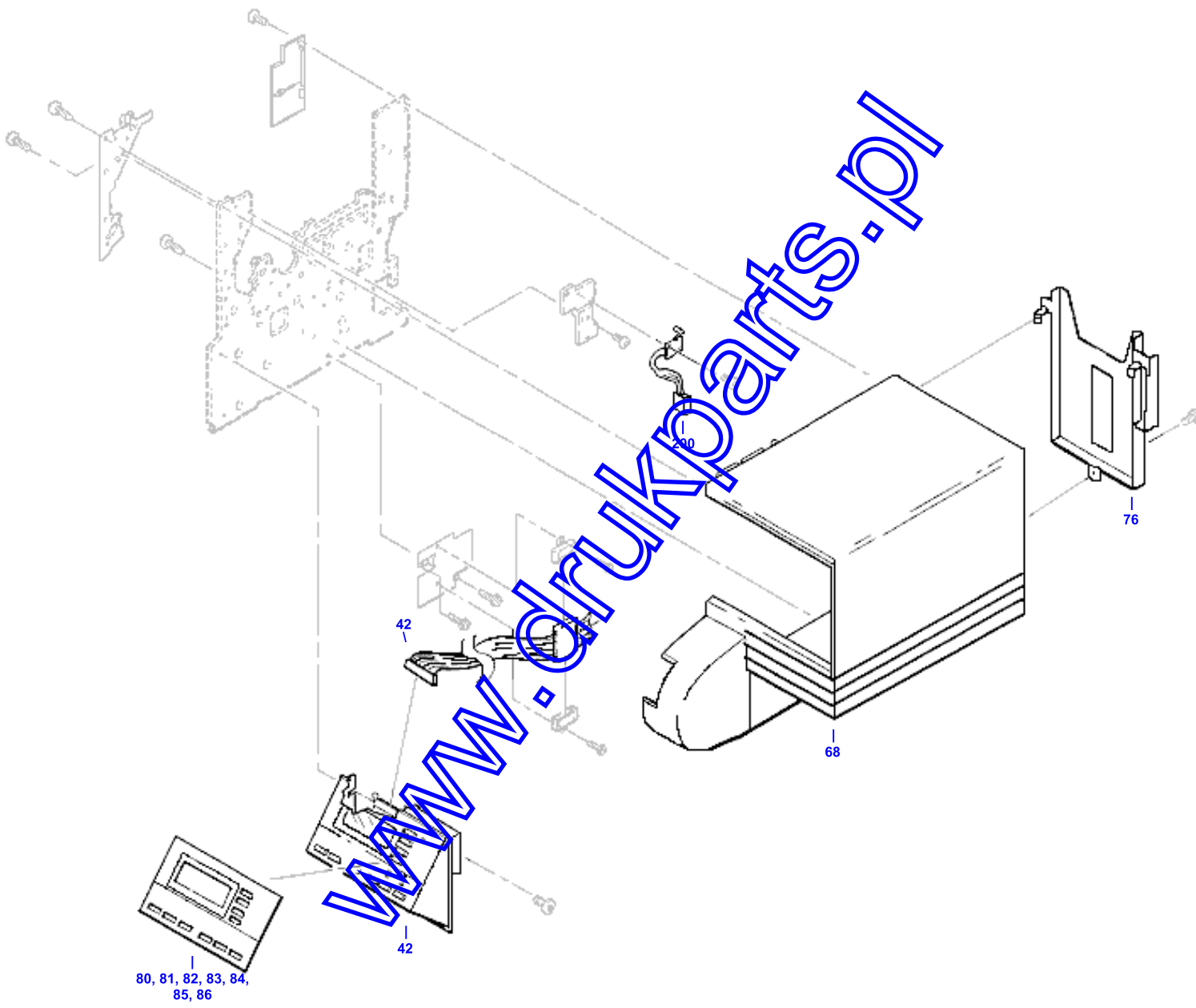
Paper Drive Assemblies



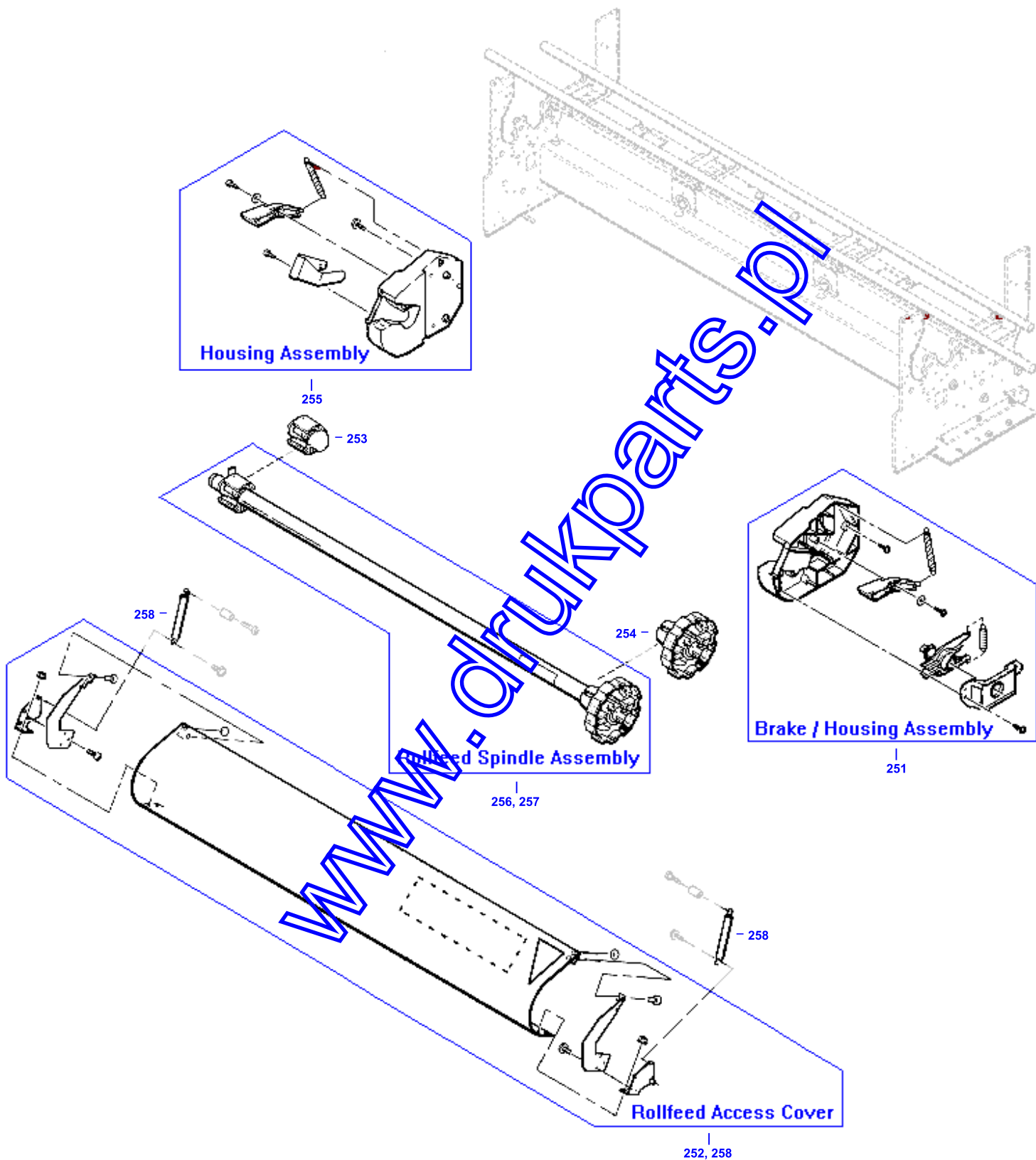
Pen Carriage Assembly



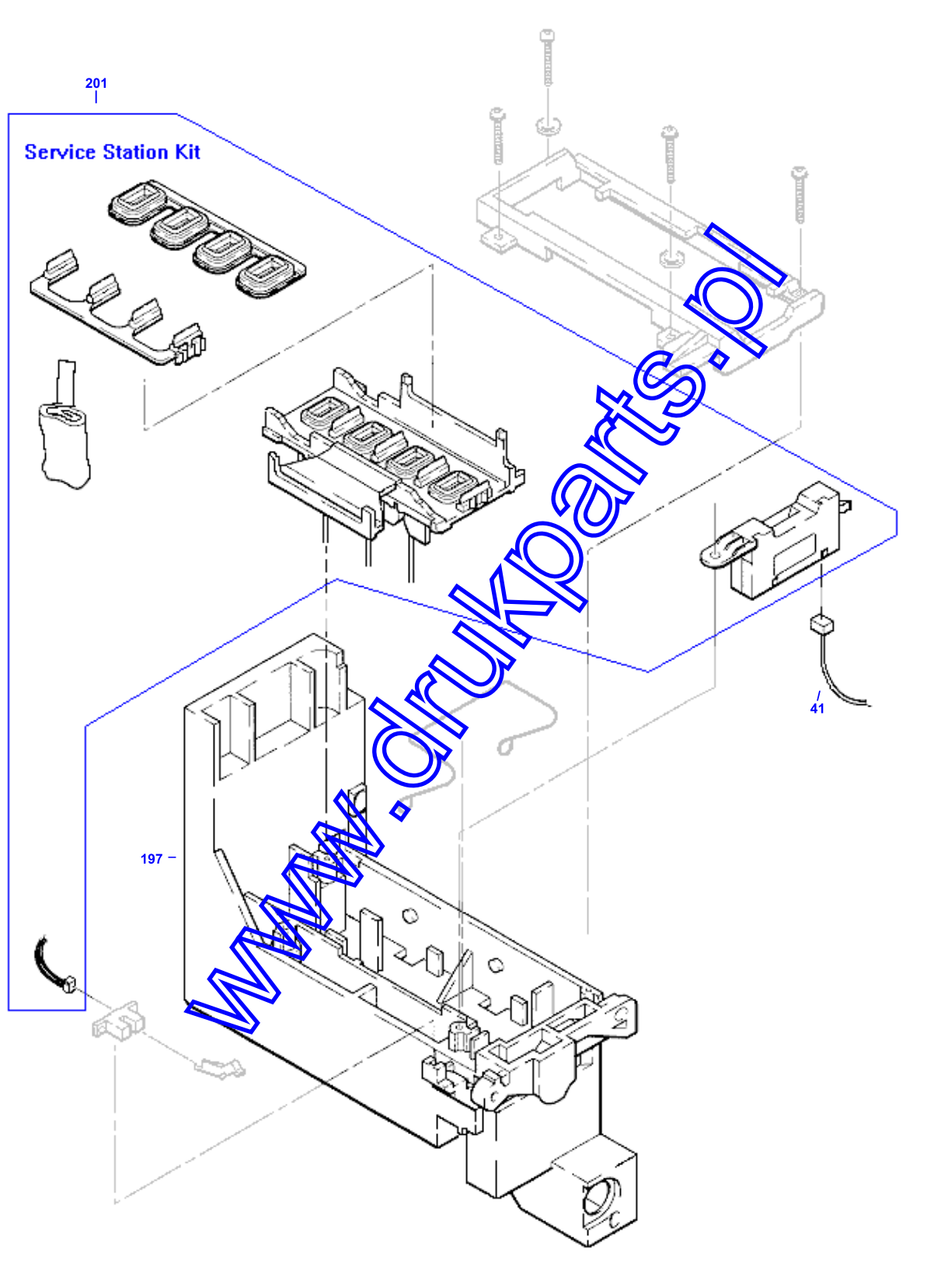
Right Endcover and Trim



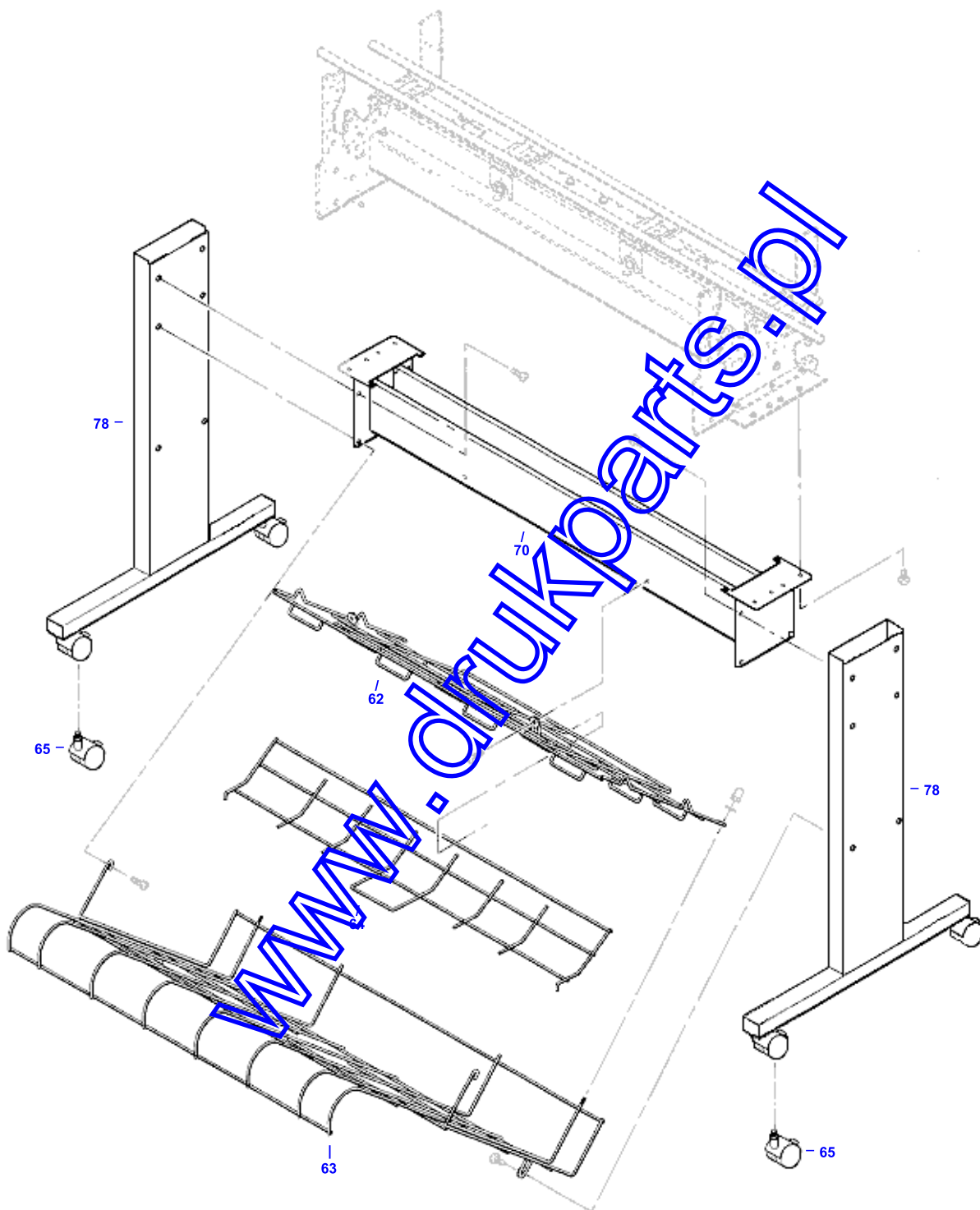
Rollfeed Components



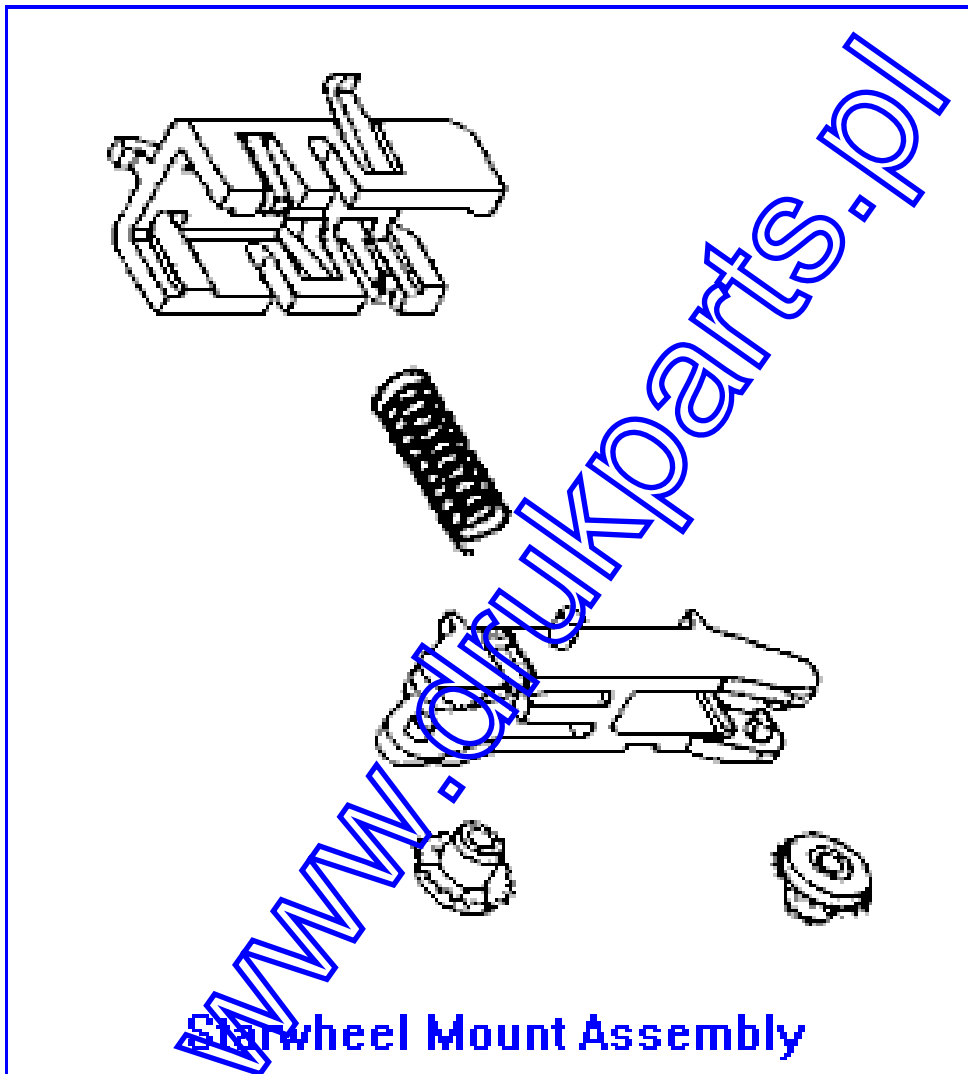
Service Station Assembly



Stand Assemblies

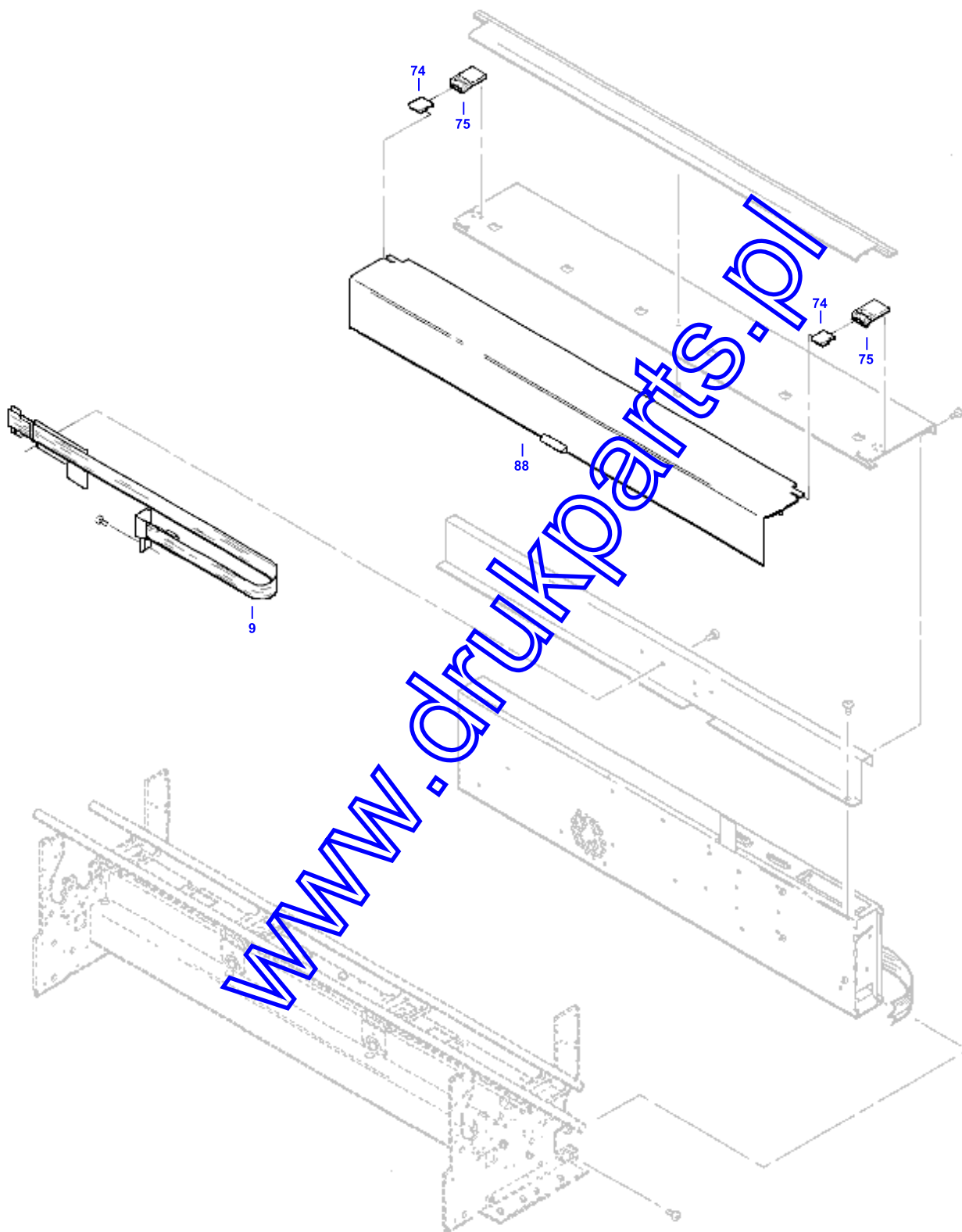


Starwheel Mount Assembly



249

Window and Back Cover Assemblies





HP Parts Reference Guide

<http://www.hp.com/go/parts>

HP PartSurfer

<http://partsurfer.hp.com>

HP Parts Ordering Information

<http://www.hp.com/go/hpparts>

HP Parts Questions/Comments

<http://partsurfer.hp.com/contactus.htm>

www.drukparts.pl