



Bail and Overdrive Parts

Bail	
C4714-60093	Bail assembly (E-size) - Has star wheel assemblies attached
Cable	
2 C4713-60182	Bail link (Cable) - Flexible stranded wire cable - 12.5cm (4.9 inches) long
Cam	
3 C3190-40020	Bail lift cam - Mounted behind the bail engaging lever support
Clutch	
4 C4713-60129	Overdrive clutch assembly
Deflector	
5 C4713-60117	Media deflector with media button - The media deflector furthest to the right side. Includes media load button
Gear	
6 C1633-40019	Overdrive gear cluster
7 C1633-40027	Bail engaging lever gear
8 C3190-40019	Bail lift cam gear
Hardware	
9 0510-0083	Retaining E-ring - 0.250-in diameter, steel zinc-dichromate dip
Lever	
10 C3190-40022	Bail engaging lever - Small item that holds one end of bail cable - Snaps into bail engaging lever support
Roller	
C4714-60115	Overdrive roller assembly (E-size) - Includes overdrive shaft with rollers, overdrive housing, 2 media deflectors without media button, and media deflector with media button
Spring	
12 07575-80012	Bail gear support 'claw' spring - Attached between the bail engaging lever support and the bail gear assembly
13 C3190-80013	Bail cable spring
Support	
14 C3190-40021	Bail gear support - The mount for the bail lift cam gear and the bail lift engaging gear (Part of the bail gear assembly)
15 C4713-40016	Bail engaging lever support - Mounted over the left end of the drive roller - Bail engaging lever snaps into this item
Carriage Drive Parts	
Belt	
C4706-60082	Carriage belt (E-size) - Long/wide belt attached to the carriage
Bracket	
17 C3190-40040	Left encoder bracket - Holds left end of encoder strip
18 C4713-40017	Right encoder bracket - Holds right end of encoder strip
Cable	
C4714-60181	Carriage assembly trailing cable (E-size) - Has 60 pin (F) connectors - 1.9m (6.2ft) long
Carriage	
20 C4713-60039	Pen carriage assembly - Includes PC board, line sensor, carriage height gauge, carriage bushings, and instructions
Clamp	
21 1400-1021	Cable clamp
Clip	
22 C3190-00012	Left encoder clip
23 C3190-00013	Right encoder clip
24 C3190-00086	Trailing cable clip



Carriage Drive Parts

Cover

25 C4713-40038 Carriage top cover

Guide

C4700-60052 Trailing cable guide (E-size) - Tray used to hold and guide trailing cable

Label

C3178-00030 Carriage label - Shows ink cartridge location

Lubricant

28 6040-0858 Special lubricating oil - For carriage slider rod surface - 4oz (113g) plastic bottle of synthetic oil

Motor

29 C4713-60092 Carriage motor assembly - Includes cable

Pulley

30 C3190-60132 Idler pulley - For main drive belt - On left end of plotter - Includes pulley, shaft and spacer

Spring

31 C4699-00016 Encoder spring

Strip

C4714-60098 Encoder strip assembly (E-size) - Includes encoder strip and encoder strip spring

Electronic Accessories

Cable (Interface)

31391A RS-232C serial extension cable - 25 pin (M) to 25 pin (F) - 5.0m (16.4ft) long

C6080-60015 10Base-T Ethernet cross over cable - RJ-45 to RJ-45 - 3m (9.8ft) long

C2990A IEEE-1284 Bi-Tronics parallel cable - DB-25 (M) (type A) to 36 pin (M) Centronics (type B) - 1.8m (6ft) long
NO LONGER SUPPLIED

5063-1256 IEEE-1284 Bi-Tronics parallel cable - DB-25 (M) connector (type A) to 36 pin Centronics (M) connector (type B) - 2.0m (6.6ft) long

C2950A IEEE-1284 Bi-Tronics parallel cable - DB-25 (M) connector (type A) to 36 pin Centronics (M) connector (type B) - 2.0m (6.6ft) long

5063-1256 *New Part for C2950A*

5063-1257 IEEE-1284 Bi-Tronics parallel cable - DB-25 (M) connector (type A) to 36 pin Centronics (M) connector (type B) - 3.0m (9.8ft) long

C2951A IEEE-1284 Bi-Tronics parallel cable - DB-25 (M) connector (type A) to 36 pin Centronics (M) connector (type B) - 3.0m (9.8ft) long

C2991A IEEE-1284 Bi-Tronics parallel cable - DB-25 (M) (type A) to 36 pin (M) Centronics (type B) - 3.0m (10ft) long
NO LONGER SUPPLIED

17255M RS-232C serial cable - 25 pin (M) to 25 pin (M) - 1.0m (3.3ft) long
NO LONGER SUPPLIED

C2913A RS-232C serial cable - 25 pin (M) to 25 pin (F) - 1.2m (3.9ft) long
NO LONGER SUPPLIED

17302A RS-232C serial cable - 25 pin (M) to 8 pin (M) DIN - 1.5m (4.9ft) long
NO LONGER SUPPLIED

92219M RS-232C serial cable - 25 pin (M) to 9 pin (M) - 1.5m (4.9ft) long
NO LONGER SUPPLIED

17355M RS-232C serial cable - 25 pin (M) to 25 pin (M) - 3.0m (9.8ft) long
NO LONGER SUPPLIED

24542G RS-232C serial cable - 25 pin (M) to 9 pin (F) - 3.0m (9.8ft) long - Used to connect to HP Vectra and IBM PC/AT compatibles

13242G RS-232C cable - 25 pin (M) to 25 pin (M) - 5.0m (16ft) long
NO LONGER SUPPLIED



Electronic Accessories

Firmware

C6082-60074 Firmware upgrade kit - Upgrades to version A.01.06

Interface (Product)

J2591A External JetDirect LAN interface module and power module - Has EtherTwist (10Base-T) and ThinLAN (10Base-2) connectors
NO LONGER SUPPLIED

J3264A External JetDirect 500X token ring interface module - Interfaces up to 3 parallel printers to a token ring (DB-9 or RJ-45) LAN

J3265A External JetDirect 500X LAN interface module - Interfaces up to 3 parallel printers to an ethernet 10Base-T (RJ-45), 10Base2 (BNC), or 100Base-TX (RJ-45) LAN

Memory (Product)

C3132A 4MB, 70nS, 36-bit SIMM memory module - For HP LaserJet 4P, 4+, 4V, 5, 5N, 4M, 5P, 5Si
NO LONGER SUPPLIED

C3146-67901 *New Part for C3132A*

C3133A 8MB, 70nS, 36-bit SIMM memory module - For HP LaserJet 4P, 4+, 4V, 5, 5N, 5M, 5P, 5Si
NO LONGER SUPPLIED

C3146-67901 *New Part for C3133A*

C3146A 16MB, 70nS, 36-bit SIMM memory module upgrade - Includes one SIMM

C3146-67901 *New Part for C3146A*

D2297A 16MB, 70nS, 36-bit parity SIMM memory module
NO LONGER SUPPLIED

D3578A 32MB, 70nS, 36-bit parity SIMM memory module
NO LONGER SUPPLIED

Memory (SIMM)

C3132-67901 4MB, 70nS, 36-bit parity SIMM memory module
NO LONGER SUPPLIED

C3146-67901 *New Part for C3132-67901*

C3133-67901 8MB, 70nS, 36-bit parity SIMM memory module
NO LONGER SUPPLIED

C3146-67901 *New Part for C3133-67901*

C3146-67901 16MB SIMM memory module

D2297-69001 16MB, 70nS, 36-bit SIMM memory module
REQUIRES RETURN OF DEFECTIVE PART

D2297-63001 *New Part for D2297-69001*

D3578-69001 32MB, 70nS, 36-bit parity SIMM memory module
REQUIRES RETURN OF DEFECTIVE PART

D3578-63001 *New Part for D3578-69001*

Module

J2591-69001 External JetDirect LAN interface module with ethertwist (10Base-T) and ThinLAN (10BASE-2) connectors

J2593-69001 External JetDirect LAN interface module with Ethertwist (10Base-T) and ThinLAN (10BASE-2) input connectors and 3 parallel (DB-25) output connectors - (part of J2593A)

J2594-69001 External JetDirect token ring interface module with DB-9 and RJ-45 input connectors and 3 parallel (DB-25) output connectors - (part of J2594A)
REQUIRES RETURN OF DEFECTIVE PART

J2594-61011 *New Part for J2594-69001*

Power Module

0950-3348 Wall mount power supply module (MEI-AH ED12006) - 110-127VAC input, 57-63Hz - 13VDC output, 800mA, 10.4 watts (for use in the United States and Canada) - For models J2590/91/93/94A, J2964A, J3258A/B, J3263/64/65A, J3282B, J4101A/B, J4102A/B

0950-3349 Wall mount power supply module (MEI-AH ED12007) - 230VAC input, 47-53Hz - 13VDC output, 800mA, 10.4 watts (for use in Europe and Israel) - For JetDirect/infrared interface models J2590/91/93/94A, J2964A, J3258A/B, J3263/64/65A, J3282B, J4101A/B, J4102A/B



Electronic Accessories

Power Module

0950-3350	Wall mount power supply module (MEI-AH ED12008) - 220-240VAC input, 47-53Hz - 13VDC output, 800mA, 10.4 watts (for use in the United Kingdom) - For JetDirect/infrared interfaces J2590/91/93/94A, J2964A, J3258A/B, J3263/64/65A, J3282B, J4101A/B, J4102A/B
0950-3351	Wall mount power supply module (MEI-AH ED12009) - 220VAC input, 47-63Hz - 13VDC output, 800mA, 10.4 watts (for use in South Korea) - For JetDirect/infrared interface models J2590/91/93/94A, J2964A, J3258A/B, J3263/64/65A, J3282B, J4101A/B, J4102A/B
0950-3352	Wall mount power supply module (MEI-AH ED12010) - 100VAC input, 47-63Hz - 13VDC output, 800mA, 10.4 watts (for use in Japan) - For JetDirect/infrared interface models J2590/91/93/94A, J2964A, J3258A/B, J3263/64/65A, J3282B, J4101A/B, J4102A/B
0950-3354	Wall mount power supply module (MEI-AH ED12010) - 220-250VAC input, 47-53Hz - 13VDC output, 800mA, 10.4 watts (for use in South Africa) - For JetDirect/infrared interface models J2590/91/93/94A, J2964A, J3258A/B, J3263/64/65A, J3282B, J4101A/B, J4102A/B
9100-5176	Wall mount power supply module (Leader Electronics 48130625HK) - 200VAC input, 48-52Hz - 13VDC output, 625mA (Hong Kong) - For JetDirect Modules and Infrared Interface Models J2590/91/93/94A, J2964A, J3258A/B, J3263/64/65A, J3282B, J4101A/B, J4102A/B
0950-3350	<i>New Part for 9100-5176</i>

Electronics/Power Supply

Front Panel

72 C4713-60091 Front panel assembly - Complete

Module

73 C4713-69203 Electronics module - Contains power supply, main logic board, interface connectors, and fan
REQUIRES RETURN OF DEFECTIVE PART

C4713-60203 *New Part for C4713-69203*

Power Cord

8120-1351	Power cord (Mint Gray) - 17 AWG, 2.3m (7.5ft) long - Has straight (F) receptacle (For 240V in the UK, Hong Kong, Singapore, Malaysia, and Brunei)
8120-1369	Power cord (Mint Gray) - 17 AWG, 2.0m (6.6ft) long - Has straight (F) receptacle (For 240V in Australia, New Zealand, and China)
8120-1689	Power cord (Mint Gray) - 17 AWG, 2.0m (6.6ft) long - Has straight (F) receptacle (For 220V in Europe, Bangladesh, Indonesia, Pakistan, Burma, Sri Lanka, and Vietnam)
8120-1751	Power cord (Black) - 18 AWG, 2.3m (7.5ft) long - Has straight (F) receptacle (For 120V, 10A in the USA, Canada, Chile, Argentina, and Taiwan)
8120-2104	Power cord (Mint Gray) - 2.0m (6.6ft) long - Has straight (F) receptacle (For 220V in Switzerland)
8120-2956	Power cord (Mint Gray) - 2.0m (6.6ft) long - Has straight (F) receptacle (For 220V in Denmark)
8120-4753	Power cord (Flint Gray) - 18 AWG, 2.3m (7.5ft) long - Has straight (F) receptacle (For 100V in Japan)

Other Accessories

CD-ROM (Support)

C7769-90066 DesignJet support CD-ROM - Version A.04.01 - Has product information, user's manuals, service manuals, diagnostic software, test drawings, newsletters, and service notes

Cartridge

51640A	Black print cartridge (w/ level indicator) - Prints approx.1120 pages based on 5% density on a 8 inch by 10 inch print area (for USA)
51640AA	Black print cartridge (with level indicator) - Prints approx.1120 pages based on 5% density on a 8 inch by 10 inch print area (for Asia/Pacific)
51640AE	Black print cartridge (with level indicator) - Prints approx.1120 pages based on 5% density on a 8 inch by 10 inch print area (for Europe)
51640AL	Black print cartridge (with level indicator) - Prints approx.1120 pages based on 5% density on a 8 inch by 10 inch print area (for Latin America)
51644C	Cyan (Blue) ink cartridge (for USA)
51644CA	Cyan (Blue) ink cartridge (for Asia/Pacific)



Other Accessories

Cartridge

51644CE	Cyan (Blue) ink cartridge (for Europe)
51644CL	Cyan (Blue) ink cartridge (for Latin America)
51644M	Magenta (Red) ink cartridge (for USA)
51644MA	Magenta (Red) ink cartridge (for Asia/Pacific)
51644ME	Magenta (Red) ink cartridge (for Europe)
51644ML	Magenta (Red) ink cartridge (for Latin America)
51644Y	Yellow ink cartridge (for USA)
51644YA	Yellow ink cartridge (for Asia/Pacific)
51644YE	Yellow ink cartridge (for Europe)
51644YL	Yellow ink cartridge (for Latin America)

Cleaning Supplies

C6247A	DesignJet cleaning kit - Includes cleaning solution and 20 cleaning rags
--------	--

Lubricant

99 6040-0858	Special lubricating oil - For carriage slider rod surface - 4oz (113g) plastic bottle of synthetic oil
100 C3190-60155	Grease - For helical gear (Drive roller gear)

Manual

5959-9733	HP-GL/2 & HP RTL reference guide - Programming information, handbook for developers
5959-9734	Comparison guide for HP-GL/2 and RTL peripherals (English)

Manual Kit

5021-0377	HP-GL/2, PCL5 and PJI technical reference manual kit
C6082-60001	Manual kit - Includes quick reference guide, user guide and unpacking/assembly instructions (English)
C6082-60002	Manual kit - Includes quick reference guide, user guide and unpacking/assembly instructions (Korean)
C6082-60003	Manual kit - Includes quick reference guide, user guide and unpacking/assembly instructions (Taiwan)
C6082-60008	Manual kit - Includes quick reference guide, user guide and unpacking/assembly instructions (Japanese)
C6082-60010	Manual kit - Includes quick reference guide, user guide and unpacking/assembly instructions (Simplified Chinese)

Return Kit

5183-5268	Return kit with box and instructions - For returning defective Thermal InkJet (TIJ) 2.5 InkJet cartridges covered under the CREW program - For USA
5184-2833	Return kit with box and instructions - For returning defective Thermal InkJet (TIJ) 2.5 InkJet cartridges covered under the CREW program - For use outside of the USA

Software

C4713-10041	DesignJet 430/450C/455CA Toolbox for Windows 95 (English) - On 3.5-inch floppy disk
C6072-60281	Toolbox and driver software - HP-GL/2 and RTL drivers for Windows 3.1/95/98/NT 4.0 (all DesignJets), and toolbox software for Windows 95/NT 4.0 (Only for DesignJet 430/450C/455CA/1050C/1055CM) - On 3.5-inch 1.44MB floppy disks (English)
C6072-60284	Toolbox and driver software - HP-GL/2 and RTL drivers for Windows 3.1/95/98/NT 4.0 (all DesignJets), and toolbox software for Windows 95/NT 4.0 (Only for DesignJet 430/450C/455CA/1050C/1055CM) - On 3.5-inch 1.44MB floppy disks (German)
C6072-60285	Toolbox and driver software - HP-GL/2 and RTL drivers for Windows 3.1/95/98/NT 4.0 (all DesignJets), and toolbox software for Windows 95/NT 4.0 (Only for DesignJet 430/450C/455CA/1050C/1055CM) - On 3.5-inch 1.44MB floppy disks (French)
C6072-60286	Toolbox and driver software - HP-GL/2 and RTL drivers for Windows 3.1/95/98/NT 4.0 (all DesignJets), and toolbox software for Windows 95/NT 4.0 (Only for DesignJet 430/450C/455CA/1050C/1055CM) - On 3.5-inch 1.44MB floppy disks (Spanish)
C6072-60287	Toolbox and driver software - HP-GL/2 and RTL drivers for Windows 3.1/95/98/NT 4.0 (all DesignJets), and toolbox software for Windows 95/NT 4.0 (Only for DesignJet 430/450C/455CA/1050C/1055CM) - On 3.5-inch 1.44MB floppy disks (Italian)



Other Accessories

Software

C6072-60301	HP-GL/2 driver software for AutoCAD - For DOS and Windows 3.1/95/NT 4.0 - On 3.5-inch 1.44MB floppy disks (English)
C6072-60304	HP-GL/2 driver software for AutoCAD - For DOS and Windows 3.1/95/NT 4.0 - On 3.5-inch 1.44MB floppy disks (German)
C6072-60305	HP-GL/2 driver software for AutoCAD - For DOS and Windows 3.1/95/NT 4.0 - On 3.5-inch 1.44MB floppy disks (French)
C6072-60306	HP-GL/2 driver software for AutoCAD - For DOS and Windows 3.1/95/NT 4.0 - On 3.5-inch 1.44MB floppy disks (Spanish)
C6072-60307	HP-GL/2 driver software for AutoCAD - For DOS and Windows 3.1/95/NT 4.0 - On 3.5-inch 1.44MB floppy disks (Italian)
C6082-60079	Adobe PostScript 3 RIP software CD-ROM - USA, Canada, UK, Germany, Spain, France, Italy, Denmark, Switzerland, Russia, Hungary, Portugal, Turkey, Brazil, South Africa, Latin America
C6082-60080	Adobe PostScript 3 RIP software CD-ROM - European English, Taiwan, Korea, China, Hong Kong, India, Australia, India, Phillipines
C6082-60081	Adobe PostScript 3 RIP software CD-ROM - Japan

Training Kit

C4713-60118	Self-paced training kit for DesignJet 430/450C/455CA/488CA - Includes video in PAL format, and CD-ROM containing user's and service manuals
C4713-60119	Self-paced training kit for DesignJet 430/450C/455CA/488CA - Includes video in NTSC format, and CD-ROM containing user's and service manuals

Other External Parts

Clip

C4699-60072	Cable clip
-------------	------------

Cover

128	C4713-00011	SIMM cover plate
129	C4713-40029	Left end cover
130	C4713-60030	Right end cover
	C4714-60014	Top cover assembly (E-size)
	C4714-60097	Back cover assembly (E-size)

Deflector

133	C4713-60117	Media deflector with media button - The media deflector furthest to the right side - Includes media load button
-----	-------------	---

Guide

134	C4713-60184	Rollfeed guide kit - Left and right guides mounted under printer - Used to attach rollfeed housings to the printer
-----	-------------	--

Holder

	C3190-40052	Holder - For quick reference guide
--	-------------	------------------------------------

Keycap

136	C4713-40046	Power switch button/keycap
-----	-------------	----------------------------

Label

	5961-3524	Serial number label
	C4705-00017	Instruction label

Overlay

	C4713-60171	Front panel overlay (Self adhesive) - Shows the function of the front panel buttons and indicator lights (English)
	C4713-60172	Front panel overlay (Self adhesive) - Shows the function of the front panel buttons and indicator lights (Korean)
	C4713-60173	Front panel overlay (Self adhesive) - Shows the function of the front panel buttons and indicator lights (Taiwanese)
	C4713-60174	Front panel overlay (Self adhesive) - Shows the function of the front panel buttons and indicator lights (German)
	C4713-60175	Front panel overlay (Self adhesive) - Shows the function of the front panel buttons and indicator lights (French)
	C4713-60176	Front panel overlay (Self adhesive) - Shows the function of the front panel buttons and indicator lights (Spanish)



Other External Parts

Overlay

- C4713-60177 Front panel overlay (Self adhesive) - Shows the function of the front panel buttons and indicator lights (Italian)
- C4713-60178 Front panel overlay (Self adhesive) - Shows the function of the front panel buttons and indicator lights (Japanese)
- C4713-60179 Front panel overlay (Self adhesive) - Shows the function of the front panel buttons and indicator lights (Portuguese)
- C4713-60180 Front panel overlay (Self adhesive) - Shows the function of the front panel buttons and indicator lights (Chinese)

Platen

- C4714-60114 Entry Platen Assembly (E-size) - Curved cover/guide that is next to the paper drive (Platen) roller

Other Internal Parts

Cutter

- 150 C4713-60040 Cutter assembly - Mounts on carriage slide rod to the right of the carriage

Primer

- 151 C4713-60023 Primer assembly - Mounted on left side of plotter

Service Station

- 152 C3190-60142 Service station assembly

Spittoon

- 153 C4713-60017 Spittoon assembly - Contains absorbers which hold excess ink from cartridges

Trim

- 154 C4713-40022 Right trim assembly - At right of entry platen
- 155 C4713-40023 Left trim assembly - At left of entry platen

Paper Drive Parts

Cable

- 215 C3180-60012 Ribbon cable - Has 5 pin (F) connectors - 16.3cm (6.4 inches) long

Lubricant

- 216 C3190-60155 Grease - For helical gear (Drive roller gear)

Motor/Gear

- 217 C4713-60094 Paper (X-axis) drive motor (Includes helical drive gear) - NOTE: motor and gear are only sold as an assembly

Roller

- C4700-60042 Paper drive (Platen) roller assembly - Long gear driven roller - Includes roller and mark encoder

Paper and Other Media

Film (Clear)

- C3876A Clear film (4 mil) - 61cm (24in) x 22.9m (75ft) roll
- C3875A Clear film (4 mil) - 91.4cm (36in) x 22.9m (75ft) roll

Film (Glossy)

- C1829A High-gloss white film - A1 size (59.4cm x 84.1cm) - 125 sheets
NO LONGER SUPPLIED
- C1827A High-gloss white film - Architectural D size (24 x 36-inches) - 100 sheets
NO LONGER SUPPLIED
- C3886A High gloss white film (4 mil) - 61cm (24in) x 30.5m (100ft) roll
- C1828A High-gloss white film - A0 size (84.1cm x 118.9cm) - 125 sheets
NO LONGER SUPPLIED
- C1826A High-gloss white film - Architectural E size (36 x 48-inches) - 100 sheets
NO LONGER SUPPLIED
- C3885A *New Part for C1826A*
- C3885A High gloss white film (4 mil) - 91.4cm (36in) x 30.5m (100ft) roll



Paper and Other Media

Film (Matte)

- 51642C Polyester matte film - B size (11 x 17-inches) - 40 sheets
NO LONGER SUPPLIED
- 51642A *New Part for 51642C*
- 51642F Polyester matte film - A3 size (29.7cm x 42.0cm) - 40 sheets
NO LONGER SUPPLIED
- 51642G Polyester matte film - D size (22 x 34-inches) - 40 sheets
NO LONGER SUPPLIED
- 51642A *New Part for 51642G*
- 51642H Polyester matte film - A1 size (59.4cm x 84.1cm) - 40 sheets
NO LONGER SUPPLIED
- 51642A Polyester matte film - 61cm (24in) x 36.6m (120ft) roll
- 51642J Polyester matte film - Architectural D size (24 x 36-inches) - 40 sheets
NO LONGER SUPPLIED
- 51642A *New Part for 51642J*
- 51642M Polyester matte film - A0 size (84.1cm x 118.9cm) - 40 sheets
NO LONGER SUPPLIED
- 51642K Polyester matte film - E size (34 x 44-inches) - 40 sheets
NO LONGER SUPPLIED
- 51642B Polyester matte film - 91.4cm (36in) x 36.6m (120ft) roll
- 51642N Polyester matte film - Architectural E size (36 x 48-inches) - 40 sheets
NO LONGER SUPPLIED

Paper (Bright White)

- C6810A Bright white InkJet paper - 91.4cm (36in) x 91.4m (300ft) roll
- C1860A Bright white InkJet paper - 61cm (24in) x 45.7m (150ft) roll
- C6035A Bright white InkJet paper - 61cm (24in) x 45.7m (150ft) roll
- C1861A Bright white InkJet paper - 91.4cm (36in) x 45.7m (150ft) roll
- C6036A Bright white InkJet paper - 91.4cm (36in) x 45.7m (150ft) roll

Paper (Coated)

- C8281A Basic Coated Paper - 61cm (24in) x 45.7m (150ft) (USA and Asia/Pacific)
- C8282A Basic Coated Paper - 91.4cm (36in) x 45.7m (150ft) roll (USA and Asia/Pacific)
- C1831A Coated paper - D size (22 x 34-inches) - 100 sheets
NO LONGER SUPPLIED
- C1835A Coated paper - A1 size (59.4cm x 84.1cm) - 125 sheets
NO LONGER SUPPLIED
- C1833A Coated paper - Architectural D size (24 x 36-inches) - 100 sheets
NO LONGER SUPPLIED
- C3880A Heavyweight coated paper (6 mil) - 61cm (24in) x 30.5m (100ft) roll
NO LONGER SUPPLIED
- C6019B Coated paper (98 gsm) - 61cm (24in) x 45.7m (150ft) roll (USA, Canada, and Latin America)
- C6021B Heavyweight coated paper - 61cm (24in) x 30.5m (100ft) roll (USA, Canada, and Latin America)
NO LONGER SUPPLIED
- C6029B Heavyweight coated paper - 61cm (24in) x 30.5m (100ft) roll (Europe, Asia/Pacific, and Japan)
NO LONGER SUPPLIED
- C6029C Heavyweight coated paper - 61cm (24in) x 30.5m (100ft) roll - For regular or UV resistant ink
- C1834A Coated paper - A0 size (84.1cm x 118.9cm) - 125 sheets
NO LONGER SUPPLIED
- C1830A Coated paper - E size (34 x 44-inches) - 100 sheets
NO LONGER SUPPLIED
- C1832A Coated paper - Architectural E size (36 x 48-inches) - 100 sheets
NO LONGER SUPPLIED



Paper and Other Media

Paper (Coated)

C3879A	Heavyweight coated paper (6 mil) - 91.4cm (36in) x 30.5m (100ft) roll NO LONGER SUPPLIED
C6020B	Coated paper (98 gsm) - 91.4cm (36in) x 45.7m (150ft) roll (USA, Canada, and Latin America)
C6022B	Heavyweight coated paper - 91.4cm (36in) x 30.5m (100ft) roll (USA, Canada, and Latin America) NO LONGER SUPPLIED
C6030B	Heavyweight coated paper - 91.4cm (36in) x 30.5m (100ft) roll (Europe, Asia/Pacific, and Japan) NO LONGER SUPPLIED
C6030C	Heavyweight coated paper - 91.4cm (36in) x 30.5m (100ft) roll - For regular or UV resistant ink

Paper (Glossy)

C3882A	High gloss photo paper - 61cm (24in) x 30.5m (100ft) roll
C3881A	High gloss photo paper - 91.4cm (36in) x 30.5m (100ft) roll

Paper (Tracing)

C3869A	Natural tracing paper - 61cm (24in) x 45.7m (150ft) roll
C3868A	Natural tracing paper - 91.4cm (36in) x 45.7m (150ft) roll

Paper (Translucent)

C3891A	Translucent bond paper - D size (22 x 34-inches) - 100 sheets NO LONGER SUPPLIED
C3893A	Translucent bond paper - A1 size (59.4cm x 84.1cm) - 125 sheets NO LONGER SUPPLIED
C3860A	Translucent bond paper - 61cm (24in) x 45.7m (150ft) roll
C3896A	Translucent bond paper - Architectural D size (24 x 36-inches) - 100 sheets NO LONGER SUPPLIED
C3892A	Translucent bond paper - A0 size (84.1cm x 118.9cm) - 125 sheets NO LONGER SUPPLIED
C3890A	Translucent bond paper - E size (34 x 44-inches) - 100 sheets NO LONGER SUPPLIED
C3859A	Translucent bond paper - 91.4cm (36in) x 45.7m (150ft) roll
C3894A	Translucent bond paper - Architectural E size (36 x 48-inches) - 100 sheets NO LONGER SUPPLIED

Vellum

C3864A	Vellum (75 gsm) - D size (22 x 34-inches), 20 lb, 3.0 mil - 100 sheets NO LONGER SUPPLIED
C3862A	Vellum - 61cm (24in) x 45.7m (150ft) roll
C3866A	Vellum (75 gsm) - Architectural D size (24 x 36-inches), 20 lb, 3.0 mil - 100 sheets NO LONGER SUPPLIED
C3862A	<i>New Part for C3866A</i>
C3863A	Vellum (75 gsm) - E size (34 x 44-inches) 20 lb, 3.0 mil - 100 sheets NO LONGER SUPPLIED
C3861A	Vellum - 91.4cm (36in) x 45.7m (150ft) roll
C3865A	Vellum (75 gsm) - Architectural E size (36 x 48-inches), 20 lb, 3.0 mil - 100 sheets NO LONGER SUPPLIED

Pincharm Assembly Parts

Bushing

219	C1633-40082	Pincharm spring retaining bushing
-----	-------------	-----------------------------------

Cam

	C1633-20012	Pinch arm bar cam (E-size) - Long rod from left to right side of printer - Used to lift the pinch arms
221	C3190-60149	Left cam journal - Mounted on left end of pincharm shaft



Pincharm Assembly Parts

Handle

222 C4713-40025 Pinchwheel manual lift handle - Paper loading lever

Lever Assembly

223 C4713-60116 Right cam journal assembly - 2 levers and a metal rod

Pincharm

224 C4699-60081 Pincharm assembly - Curved black plastic plate with 4 small rubber rollers (Does NOT include spring or bushing)

Sensor

225 C4713-60034 Pincharm sensor assembly

Spring

226 C1633-80005 Compression spring between pincharm assembly and bushing

227 C4713-80003 Pincharm spring

Roll Feed Assembly Parts

End Cap

C3174-40011 Spindle end cap (2in)

Extension

229 C4713-60038 Media extension kit - Includes 3 extensions

Guide

230 C4713-60184 Rollfeed guide kit - Left and right guides mounted under printer - Used to attach rollfeed housings to the printer

Hub

C4713-60120 Spindle hub kit, small size - Includes 2 small hubs and install guide - (China)

Rollfeed Kit

C4719A E/A0 rollfeed kit - Includes left and right housing, hubs, spindle, end caps, screwdriver, and screws

Spindle

C4719-60005 E/A0 rollfeed spindle rod assembly - Includes spindle, hubs, and end caps

Spindle Kit

C6239A E/A0 rollfeed spindle rod assembly for DesignJet 4xx Series - Includes spindle, hubs, and end caps

Stand Parts

Bin

235 C4704-60073 Media bin arm (Loop assembly)

C4713-60147 *New Part for C4704-60073*

Cross-Brace

C4704-60077 Cross-brace (E-size) - Main structure that extends between stand legs

Foot

237 C4704-60086 Foot assembly (includes casters)

Hardware Kit

238 C4704-60095 Hardware kit for printer stand - Includes screwdriver, screws, washers, and media bin retaining clips

Leg

239 C4704-60075 Leg assembly - Side support for the plotter - Does NOT include the foot assembly

Stand

C6070A HP DesignJet Stand (D/A1) - Includes legs, casters, brace, wire form paper deflector, and media bin - For E/A0 size DesignJets

Strip

C4704-40070 Capping strips (E-size) - Two strips that snap together on the ends of the bin arms



Stand Parts

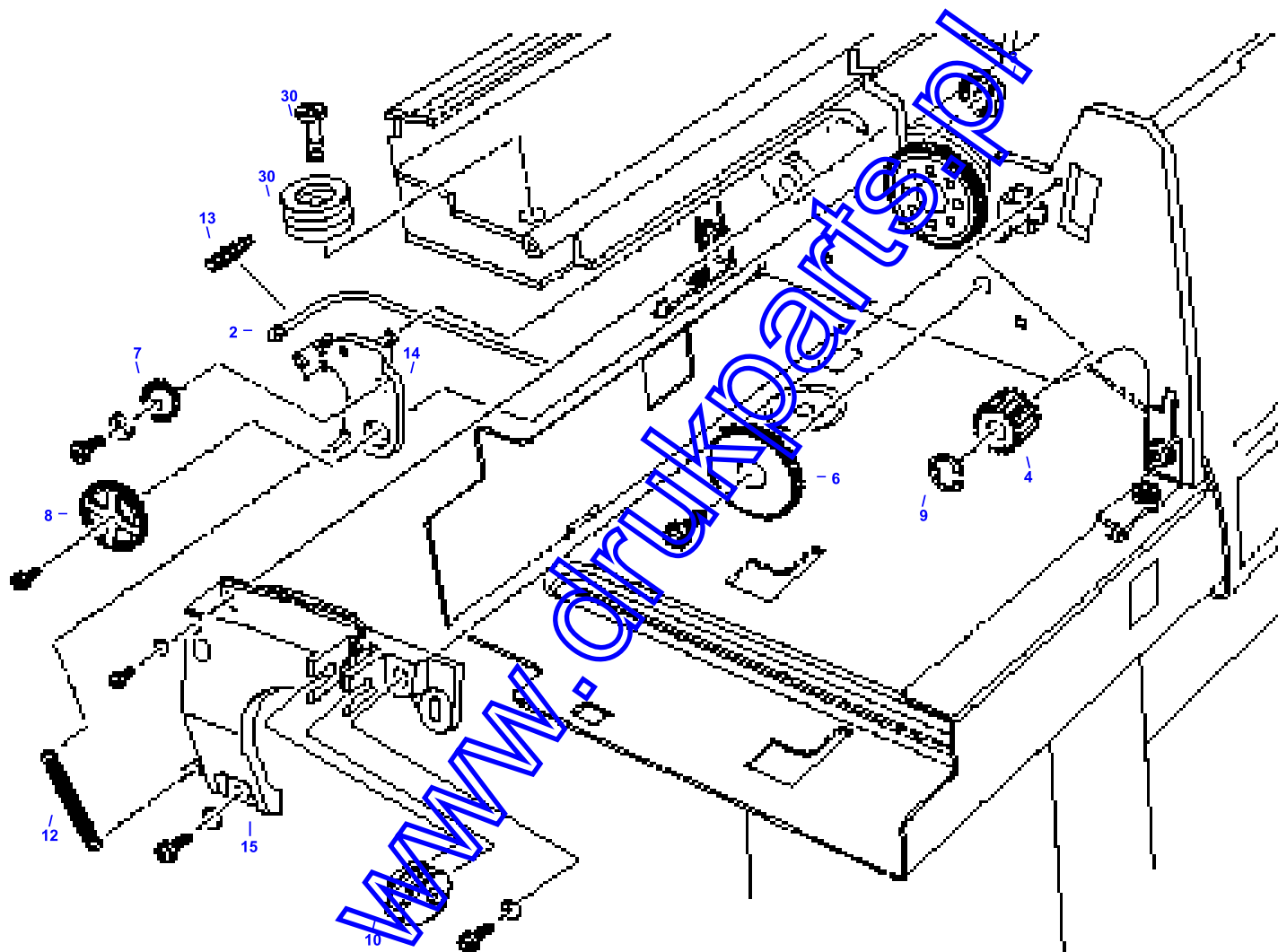
Support

C4714-60147

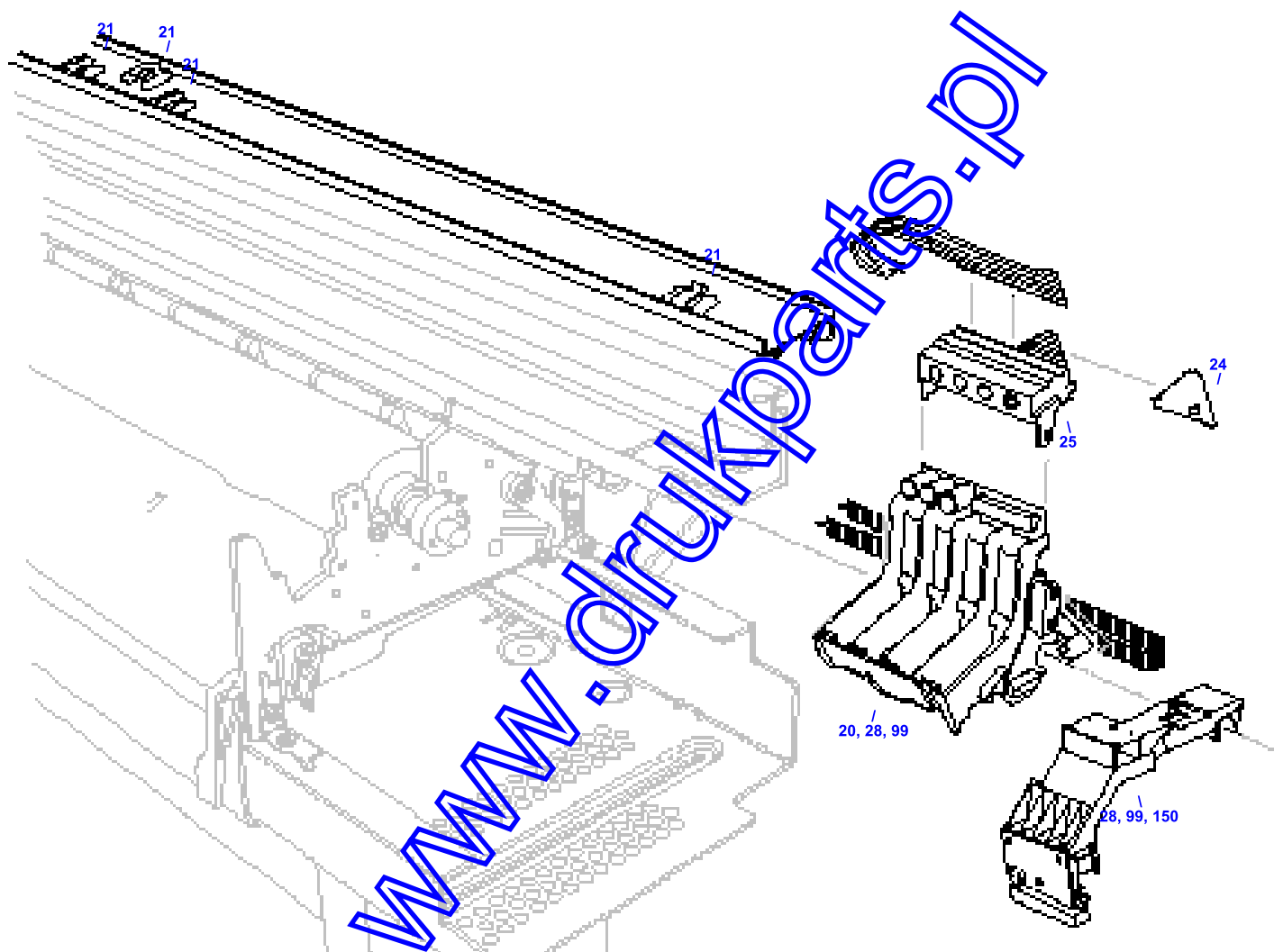
Media bin support (E-size) - Supports media bin arms

www.drukparts.pl

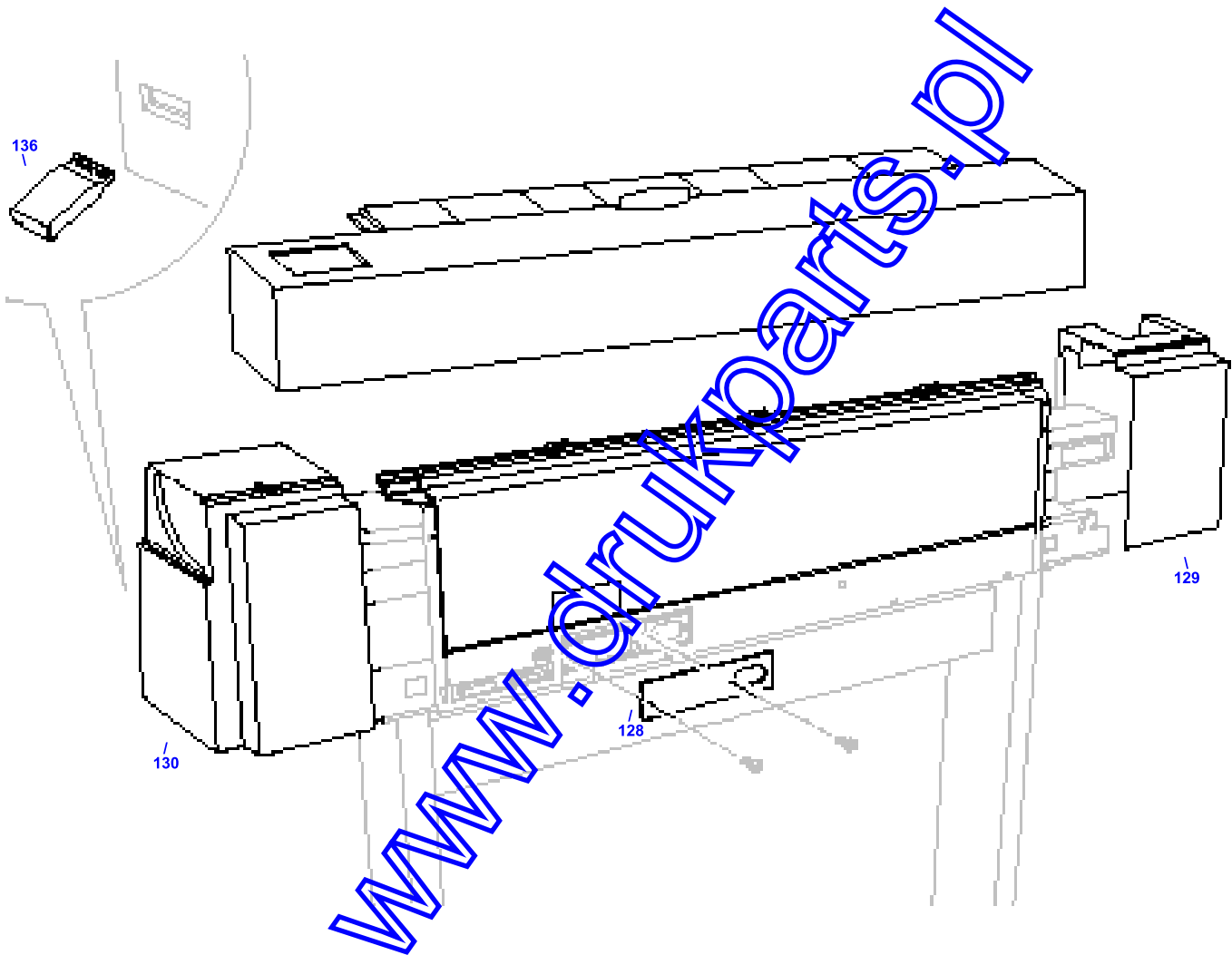
Bail Mechanism, Overdrive Mechanism



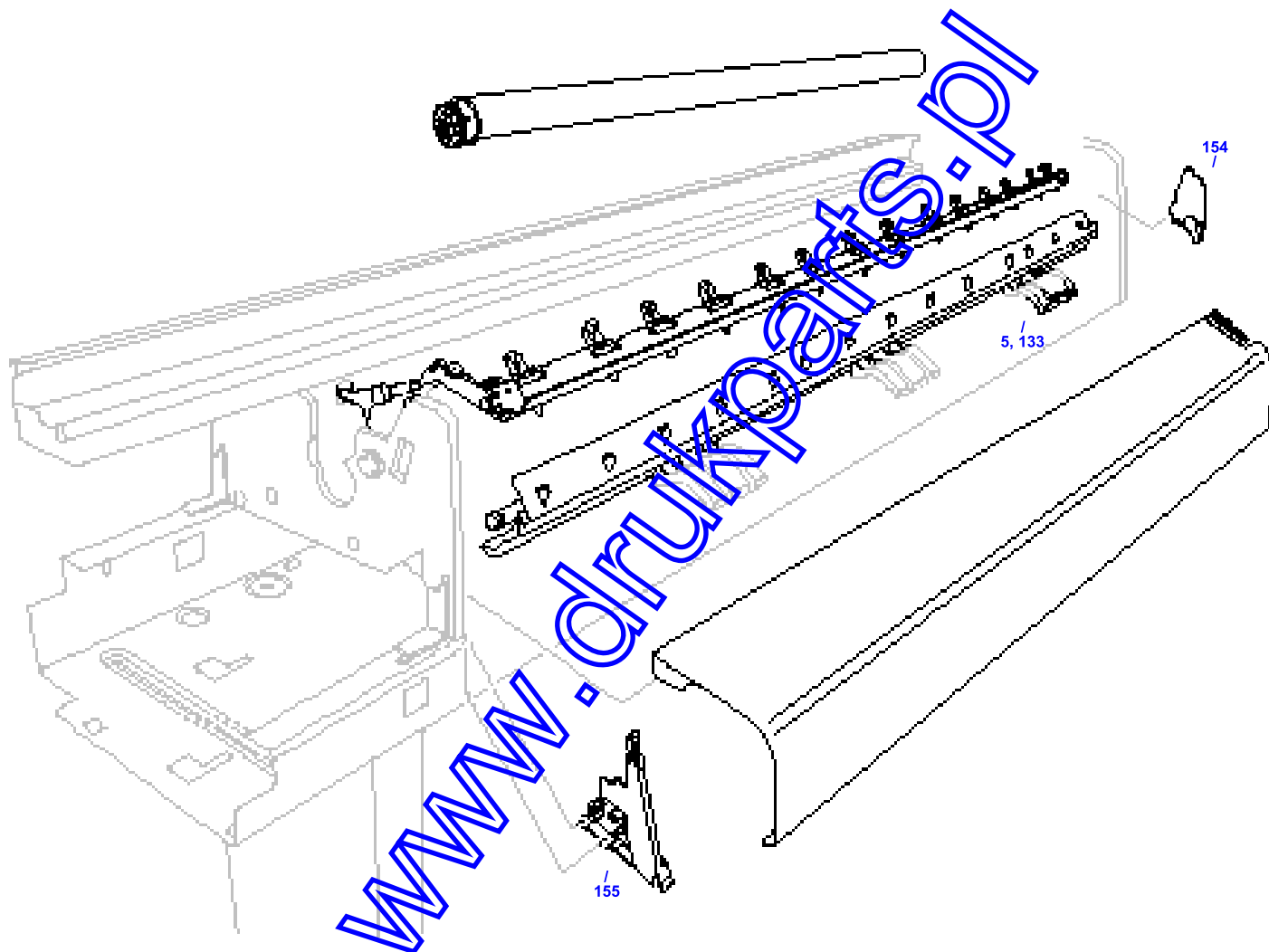
Carriage Assembly, Cutter Assembly, Trailing Cable



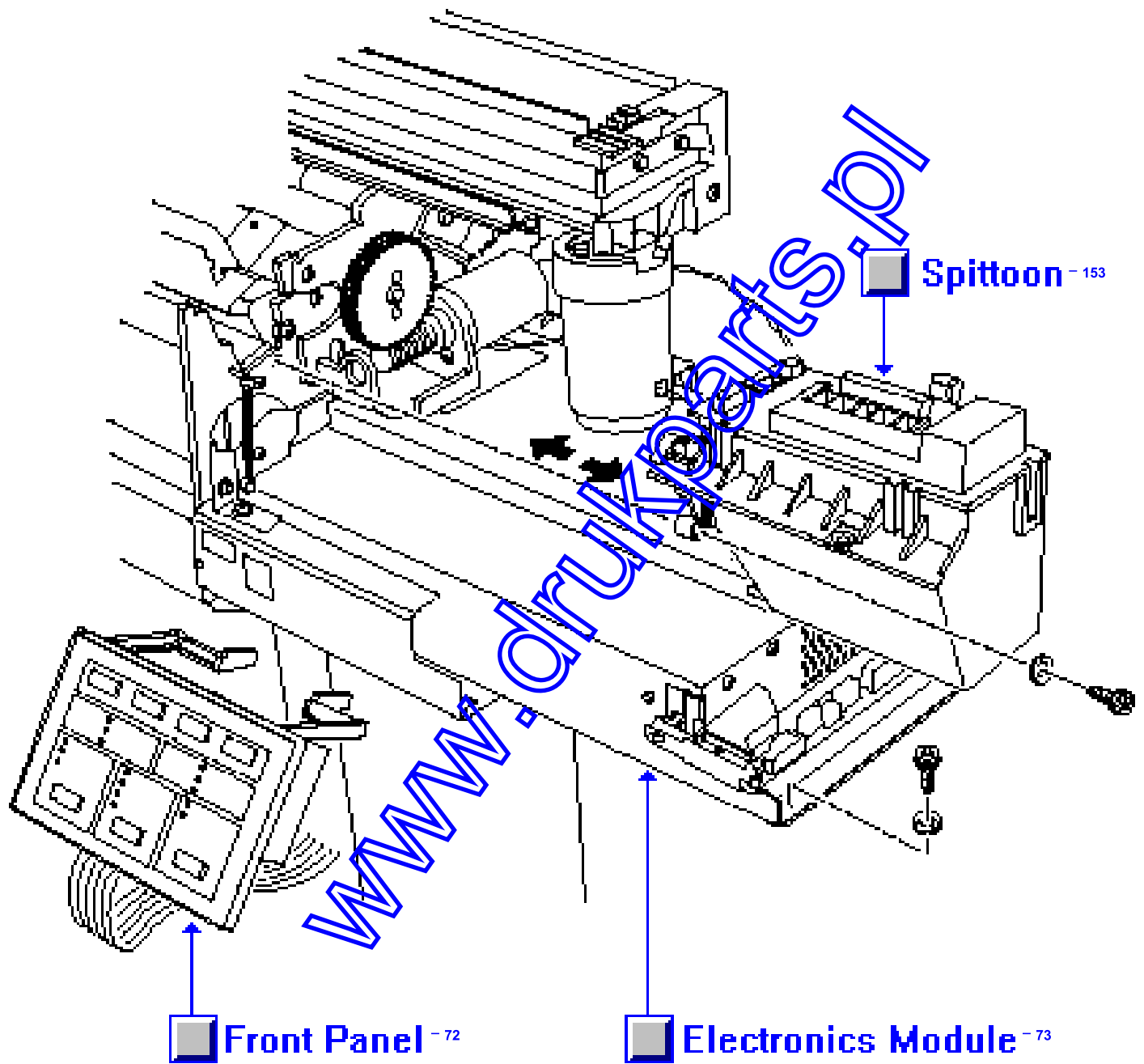
Covers



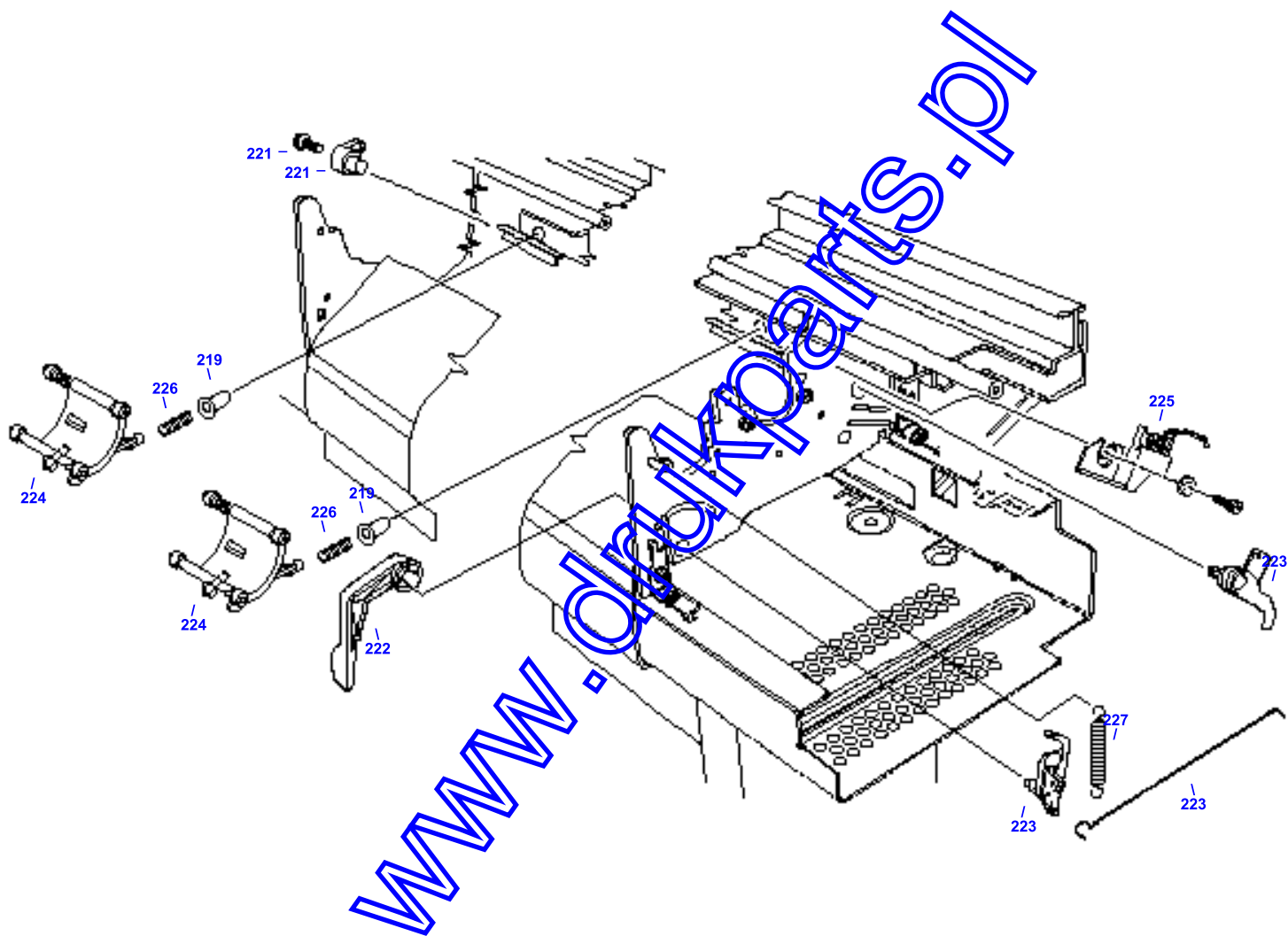
Entry Platen, Drive Roller, Bail Assy, Overdrive Assy



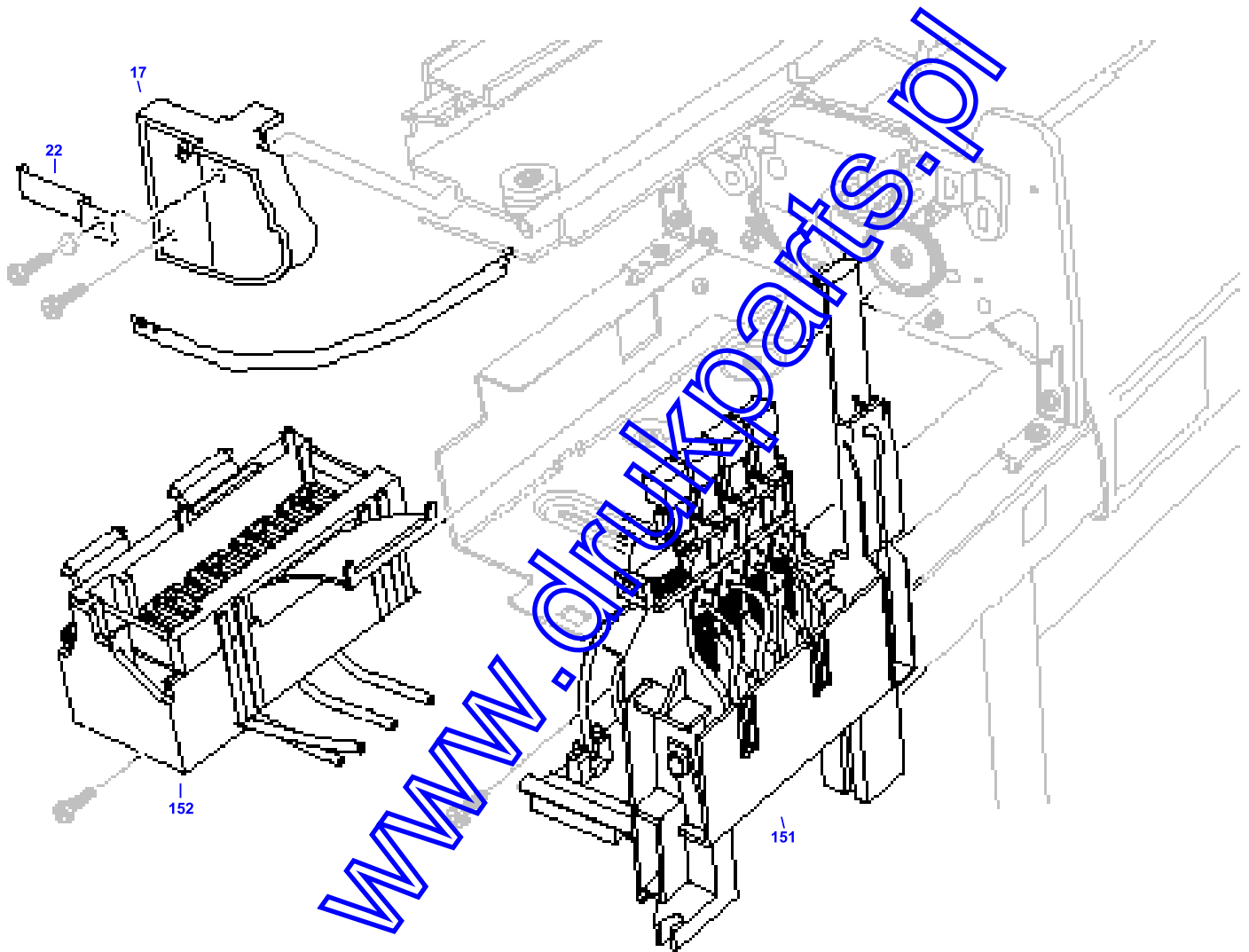
Front Panel, Electronics Module, Spittoon



Pincharm Assembly

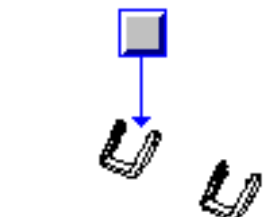


Primer Assembly, Service Station Assembly

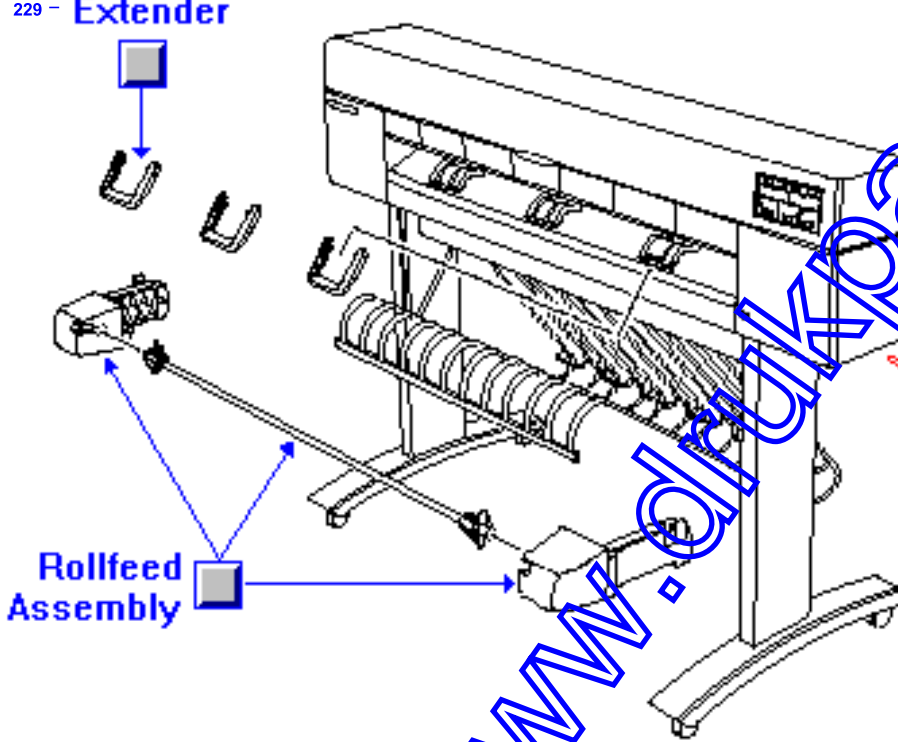


Rollfeed Assembly and Media Extenders

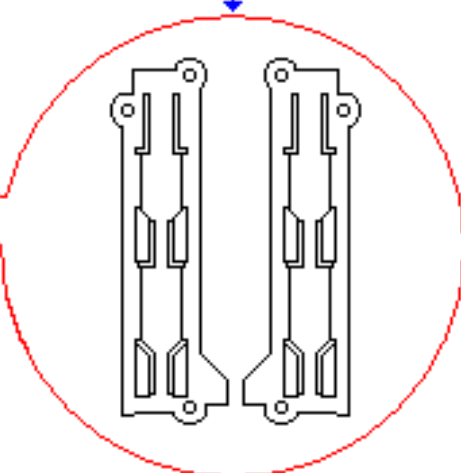
229 - Extender



Rollfeed Assembly

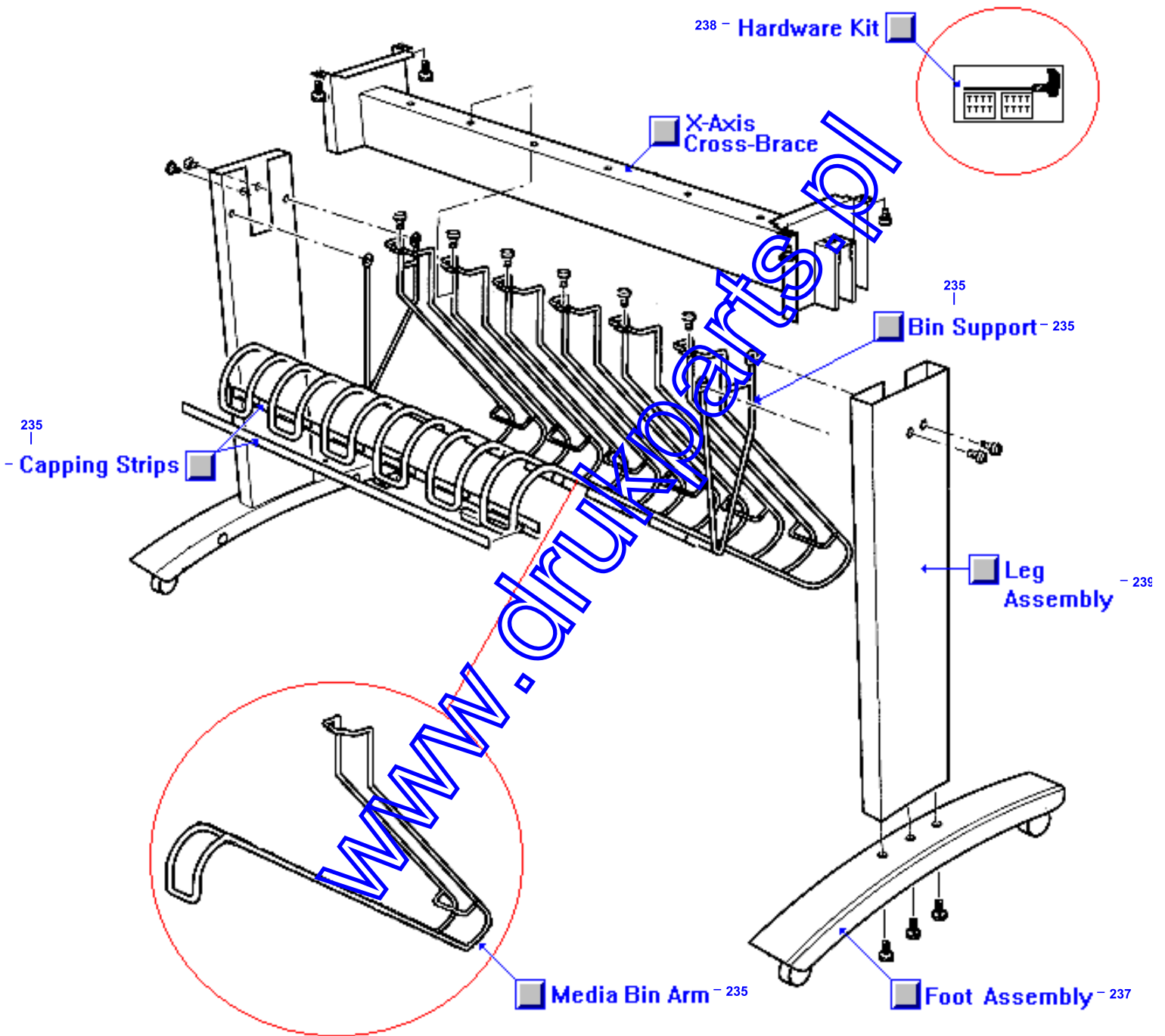


184, 230 - Rollfeed Guide

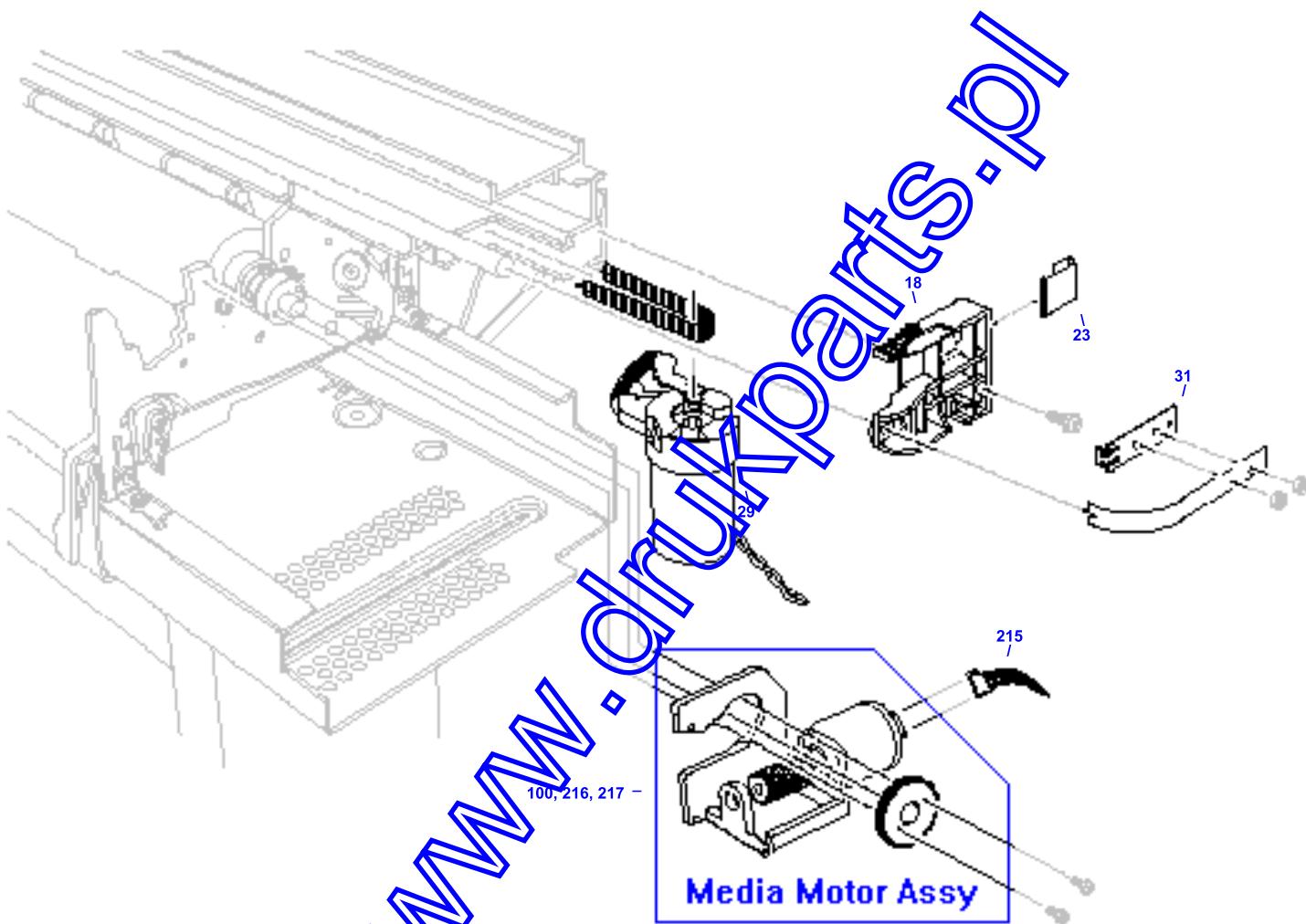


www.hp.com/go/hpparts.pl

Stand Assembly



X and Y Axis Motors, Encoder Strip





HP Parts Reference Guide

<http://www.hp.com/go/parts>

HP PartSurfer

<http://partsurfer.hp.com>

HP Parts Ordering Information

<http://www.hp.com/go/hpparts>

HP Parts Questions/Comments

<http://partsurfer.hp.com/contactus.htm>

www.drukparts.pl