



## Bail and Overdrive Parts

### Bail

1 C4714-60093 Bail assembly (E-size) - Has star wheel assemblies attached

### Cable

2 C4713-60182 Bail link (Cable) - Flexible stranded wire cable - 12.5cm (4.9 inches) long

### Cam

3 C3190-40020 Bail lift cam - Mounted behind the bail engaging lever support

### Clutch

4 C4713-60129 Overdrive clutch assembly

### Deflector

5 C4713-60117 Media deflector with media button - The media deflector furthest to the right side. Includes media load button

### Gear

6 C1633-40019 Overdrive gear cluster

7 C1633-40027 Bail engaging lever gear

8 C3190-40019 Bail lift cam gear

### Hardware

9 0510-0083 Retaining E-ring - 0.250-in diameter, steel zinc-dichromate dip

### Lever

10 C3190-40022 Bail engaging lever - Small item that holds one end of bail cable - Snaps into bail engaging lever support

### Roller

11 C4714-60115 Overdrive roller assembly (E-size) - Includes overdrive shaft with rollers, overdrive housing, 2 media deflectors without media button, and media deflector with media button

### Spring

12 07575-80012 Bail gear support 'claw' spring - Attached between the bail engaging lever support and the bail gear assembly

13 C3190-80013 Bail cable spring

### Support

14 C3190-40021 Bail gear support - The mount for the bail lift cam gear and the bail lift engaging gear (Part of the bail gear assembly)

15 C4713-40016 Bail engaging lever support - Mounted over the left end of the drive roller - Bail engaging lever snaps into this item

## Carriage Drive Parts

### Belt

16 C4706-60082 Carriage belt (E-size) - Long/wide belt attached to the carriage

### Bracket

17 C3190-40040 Left encoder bracket - Holds left end of encoder strip

C4713-40017 Right encoder bracket - Holds right end of encoder strip

### Cable

19 C4714-60181 Carriage assembly trailing cable (E-size) - Has 60 pin (F) connectors - 1.9m (6.2ft) long

### Carriage

20 C4713-60039 Pen carriage assembly - Includes PC board, line sensor, carriage height gauge, carriage bushings, and instructions

### Clamp

21 1400-1021 Cable clamp

### Clip

22 C3190-00012 Left encoder clip

23 C3190-00013 Right encoder clip

24 C3190-00086 Trailing cable clip



### Carriage Drive Parts

#### Cover

25 C4713-40038 Carriage top cover

#### Guide

26 C4700-60052 Trailing cable guide (E-size) - Tray used to hold and guide trailing cable

#### Label

C3178-00030 Carriage label - Shows ink cartridge location

#### Lubricant

28 6040-0858 Special lubricating oil - For carriage slider rod surface - 4oz (113g) plastic bottle of synthetic oil

#### Motor

29 C4713-60092 Carriage motor assembly - Includes cable

#### Pulley

30 C3190-60132 Idler pulley - For main drive belt - On left end of plotter - Includes pulley, shaft and spacer

#### Spring

31 C4699-00016 Encoder spring

#### Strip

32 C4714-60098 Encoder strip assembly (E-size) - Includes encoder strip and encoder strip spring

### Electronic Accessories

#### Cable (Interface)

31391A RS-232C serial extension cable - 25 pin (M) to 25 pin (F) - 5.0m (16.4ft) long

C6080-60015 10Base-T Ethernet cross over cable - RJ-45 to RJ-45 - 3m (9.8ft) long

C2990A IEEE-1284 Bi-Tronics parallel cable - DB-25 (M) (type A) to 36 pin (M) Centronics (type B) - 1.8m (6ft) long  
NO LONGER SUPPLIED

5063-1256 IEEE-1284 Bi-Tronics parallel cable - DB-25 (M) connector (type A) to 36 pin Centronics (M) connector (type B) - 2.0m (6.6ft) long

C2950A IEEE-1284 Bi-Tronics parallel cable - DB-25 (M) connector (type A) to 36 pin Centronics (M) connector (type B) - 2.0m (6.6ft) long

5063-1256 *New Part for C2950A*

5063-1257 IEEE-1284 Bi-Tronics parallel cable - DB-25 (M) connector (type A) to 36 pin Centronics (M) connector (type B) - 3.0m (9.8ft) long

C2951A IEEE-1284 Bi-Tronics parallel cable - DB-25 (M) connector (type A) to 36 pin Centronics (M) connector (type B) - 3.0m (9.8ft) long

C2991A IEEE-1284 Bi-Tronics parallel cable - DB-25 (M) (type A) to 36 pin (M) Centronics (type B) - 3.0m (10ft) long  
NO LONGER SUPPLIED

17255M RS-232C serial cable - 25 pin (M) to 25 pin (M) - 1.0m (3.3ft) long  
NO LONGER SUPPLIED

C2913A RS-232C serial cable - 25 pin (M) to 25 pin (F) - 1.2m (3.9ft) long  
NO LONGER SUPPLIED

17302A RS-232C serial cable - 25 pin (M) to 8 pin (M) DIN - 1.5m (4.9ft) long  
NO LONGER SUPPLIED

92219M RS-232C serial cable - 25 pin (M) to 9 pin (M) - 1.5m (4.9ft) long  
NO LONGER SUPPLIED

17355M RS-232C serial cable - 25 pin (M) to 25 pin (M) - 3.0m (9.8ft) long  
NO LONGER SUPPLIED

24542G RS-232C serial cable - 25 pin (M) to 9 pin (F) - 3.0m (9.8ft) long - Used to connect to HP Vectra and IBM PC/AT compatibles

13242G RS-232C cable - 25 pin (M) to 25 pin (M) - 5.0m (16ft) long  
NO LONGER SUPPLIED



**Electronic Accessories**

**Firmware**

C6082-60074 Firmware upgrade kit - Upgrades to version A.01.06

**Interface (Product)**

J2591A External JetDirect LAN interface module and power module - Has EtherTwist (10Base-T) and ThinLAN (10Base-2) connectors  
NO LONGER SUPPLIED

J3264A External JetDirect 500X token ring interface module - Interfaces up to 3 parallel printers to a token ring (DB-9 or RJ-45) LAN

J3265A External JetDirect 500X LAN interface module - Interfaces up to 3 parallel printers to an ethernet 10Base-T (RJ-45), 10Base2 (BNC), or 100Base-TX (RJ-45) LAN

**Memory (Product)**

C3132A 4MB, 70nS, 36-bit SIMM memory module - For HP LaserJet 4P, 4+, 4V, 5, 5N, 4M, 5P, 5Si  
NO LONGER SUPPLIED

C3146-67901 *New Part for C3132A*

C3133A 8MB, 70nS, 36-bit SIMM memory module - For HP LaserJet 4P, 4+, 4V, 5, 5N, 5M, 5P, 5Si  
NO LONGER SUPPLIED

C3146-67901 *New Part for C3133A*

C3146A 16MB, 70nS, 36-bit SIMM memory module upgrade - Includes one SIMM

C3146-67901 *New Part for C3146A*

D2297A 16MB, 70nS, 36-bit parity SIMM memory module  
NO LONGER SUPPLIED

D3578A 32MB, 70nS, 36-bit parity SIMM memory module  
NO LONGER SUPPLIED

**Memory (SIMM)**

C3132-67901 4MB, 70nS, 36-bit parity SIMM memory module  
NO LONGER SUPPLIED

C3146-67901 *New Part for C3132-67901*

C3133-67901 8MB, 70nS, 36-bit parity SIMM memory module  
NO LONGER SUPPLIED

C3146-67901 *New Part for C3133-67901*

C3146-67901 16MB SIMM memory module

D2297-69001 16MB, 70nS, 36-bit SIMM memory module  
REQUIRES RETURN OF DEFECTIVE PART

D2297-63001 *New Part for D2297-69001*

D3578-69001 32MB, 70nS, 36-bit parity SIMM memory module  
REQUIRES RETURN OF DEFECTIVE PART

D3578-63001 *New Part for D3578-69001*

**Module**

J2591-69001 External JetDirect LAN interface module with ethertwist (10Base-T) and ThinLAN (10BASE-2) connectors

J2593-69001 External JetDirect LAN interface module with Ethertwist (10Base-T) and ThinLAN (10BASE-2) input connectors and 3 parallel (DB-25) output connectors - (part of J2593A)

J2594-69001 External JetDirect token ring interface module with DB-9 and RJ-45 input connectors and 3 parallel (DB-25) output connectors - (part of J2594A)  
REQUIRES RETURN OF DEFECTIVE PART

J2594-61011 *New Part for J2594-69001*

**Power Module**

0950-3348 Wall mount power supply module (MEI-AH ED12006) - 110-127VAC input, 57-63Hz - 13VDC output, 800mA, 10.4 watts (for use in the United States and Canada) - For models J2590/91/93/94A, J2964A, J3258A/B, J3263/64/65A, J3282B, J4101A/B, J4102A/B

0950-3349 Wall mount power supply module (MEI-AH ED12007) - 230VAC input, 47-53Hz - 13VDC output, 800mA, 10.4 watts (for use in Europe and Israel) - For JetDirect/infrared interface models J2590/91/93/94A, J2964A, J3258A/B, J3263/64/65A, J3282B, J4101A/B, J4102A/B



## Electronic Accessories

### Power Module

0950-3350	Wall mount power supply module (MEI-AH ED12008) - 220-240VAC input, 47-53Hz - 13VDC output, 800mA, 10.4 watts (for use in the United Kingdom) - For JetDirect/infrared interfaces J2590/91/93/94A, J2964A, J3258A/B, J3263/64/65A, J3282B, J4101A/B, J4102A/B
0950-3351	Wall mount power supply module (MEI-AH ED12009) - 220VAC input, 47-63Hz - 13VDC output, 800mA, 10.4 watts (for use in South Korea) - For JetDirect/infrared interface models J2590/91/93/94A, J2964A, J3258A/B, J3263/64/65A, J3282B, J4101A/B, J4102A/B
0950-3352	Wall mount power supply module (MEI-AH ED12010) - 100VAC input, 47-63Hz - 13VDC output, 800mA, 10.4 watts (for use in Japan) - For JetDirect/infrared interface models J2590/91/93/94A, J2964A, J3258A/B, J3263/64/65A, J3282B, J4101A/B, J4102A/B
0950-3354	Wall mount power supply module (MEI-AH ED12010) - 220-250VAC input, 47-53Hz - 13VDC output, 800mA, 10.4 watts (for use in South Africa) - For JetDirect/infrared interface models J2590/91/93/94A, J2964A, J3258A/B, J3263/64/65A, J3282B, J4101A/B, J4102A/B
9100-5176	Wall mount power supply module (Leader Electronics 48130625HK) - 200VAC input, 48-52Hz - 13VDC output, 625mA (Hong Kong) - For JetDirect Modules and Infrared Interface Models J2590/91/93/94A, J2964A, J3258A/B, J3263/64/65A, J3282B, J4101A/B, J4102A/B
0950-3350	<i>New Part for 9100-5176</i>

## Electronics/Power Supply

### Front Panel

72	C4713-60091	Front panel assembly - Complete
----	-------------	---------------------------------

### Module

73	C4713-69203	Electronics module - Contains power supply, main logic board, interface connectors, and fan REQUIRES RETURN OF DEFECTIVE PART
	C4713-60203	<i>New Part for C4713-69203</i>

### Power Cord

8120-1351	Power cord (Mint Gray) - 17 AWG, 2.3m (7.5ft) long - Has straight (F) receptacle (For 240V in the UK, Hong Kong, Singapore, Malaysia, and Brunei)
8120-1369	Power cord (Mint Gray) - 17 AWG, 2.0m (6.6ft) long - Has straight (F) receptacle (For 240V in Australia, New Zealand, and China)
8120-1689	Power cord (Mint Gray) - 17 AWG, 2.0m (6.6ft) long - Has straight (F) receptacle (For 220V in Europe, Bangladesh, Indonesia, Pakistan, Burma, Sri Lanka, and Vietnam)
8120-1751	Power cord (Black) - 18 AWG, 2.3m (7.5ft) long - Has straight (F) receptacle (For 120V, 10A in the USA, Canada, Chile, Argentina, and Taiwan)
8120-2104	Power cord (Mint Gray) - 2.0m (6.6ft) long - Has straight (F) receptacle (For 220V in Switzerland)
8120-2956	Power cord (Mint Gray) - 2.0m (6.6ft) long - Has straight (F) receptacle (For 220V in Denmark)
8120-4753	Power cord (Flint Gray) - 18 AWG, 2.3m (7.5ft) long - Has straight (F) receptacle (For 100V in Japan)

## Other Accessories

### CD-ROM (Support)

C7769-90066	DesignJet support CD-ROM - Version A.04.01 - Has product information, user's manuals, service manuals, diagnostic software, test drawings, newsletters, and service notes
-------------	---------------------------------------------------------------------------------------------------------------------------------------------------------------------------

### Cartridge

51640A	Black print cartridge (w/ level indicator) - Prints approx.1120 pages based on 5% density on a 8 inch by 10 inch print area (for USA)
51640AA	Black print cartridge (with level indicator) - Prints approx.1120 pages based on 5% density on a 8 inch by 10 inch print area (for Asia/Pacific)
51640AE	Black print cartridge (with level indicator) - Prints approx.1120 pages based on 5% density on a 8 inch by 10 inch print area (for Europe)
51640AL	Black print cartridge (with level indicator) - Prints approx.1120 pages based on 5% density on a 8 inch by 10 inch print area (for Latin America)
51644C	Cyan (Blue) ink cartridge (for USA)
51644CA	Cyan (Blue) ink cartridge (for Asia/Pacific)



**Other Accessories**

**Cartridge**

51644CE	Cyan (Blue) ink cartridge (for Europe)
51644CL	Cyan (Blue) ink cartridge (for Latin America)
51644M	Magenta (Red) ink cartridge (for USA)
51644MA	Magenta (Red) ink cartridge (for Asia/Pacific)
51644ME	Magenta (Red) ink cartridge (for Europe)
51644ML	Magenta (Red) ink cartridge (for Latin America)
51644Y	Yellow ink cartridge (for USA)
51644YA	Yellow ink cartridge (for Asia/Pacific)
51644YE	Yellow ink cartridge (for Europe)
51644YL	Yellow ink cartridge (for Latin America)

**Cleaning Supplies**

C6247A	DesignJet cleaning kit - Includes cleaning solution and 20 cleaning rags
--------	--------------------------------------------------------------------------

**Lubricant**

99 6040-0858	Special lubricating oil - For carriage slider rod surface - 4oz (113g) plastic bottle of synthetic oil
100 C3190-60155	Grease - For helical gear (Drive roller gear)

**Manual**

5959-9733	HP-GL/2 & HP RTL reference guide - Programming information, handbook for developers
5959-9734	Comparison guide for HP-GL/2 and RTL peripherals (English)

**Manual Kit**

5021-0377	HP-GL/2, PCL5 and PJI technical reference manual kit
C4713-60041	Manual kit - Includes quick reference guide, user guide and unpacking/assembly instructions (English)
C4713-60044	Manual kit - Includes quick reference guide, user guide and unpacking/assembly instructions (German)
C4713-60045	Manual kit - Includes quick reference guide, user guide and unpacking/assembly instructions (French)
C4713-60046	Manual kit - Includes quick reference guide, user guide and unpacking/assembly instructions (Spanish)
C4713-60048	Manual kit - Includes quick reference guide, user guide and unpacking/assembly instructions (Japanese)
C4713-60049	Manual kit - Includes quick reference guide, user guide and unpacking/assembly instructions (Portuguese)
C4713-60187	Manual kit - Includes quick reference guide, user guide and unpacking/assembly instructions (Italian)
C6082-60002	Manual kit - Includes quick reference guide, user guide and unpacking/assembly instructions (Korean)
C6082-60003	Manual kit - Includes quick reference guide, user guide and unpacking/assembly instructions (Taiwan)
C6082-60010	Manual kit - Includes quick reference guide, user guide and unpacking/assembly instructions (Simplified Chinese)

**Return Kit**

5183-5268	Return kit with box and instructions - For returning defective Thermal InkJet (TIJ) 2.5 InkJet cartridges covered under the CREW program - For USA
5184-2833	Return kit with box and instructions - For returning defective Thermal InkJet (TIJ) 2.5 InkJet cartridges covered under the CREW program - For use outside of the USA

**Software**

C4713-10041	DesignJet 430/450C/455CA Toolbox for Windows 95 (English) - On 3.5-inch floppy disk
C6072-60281	Toolbox and driver software - HP-GL/2 and RTL drivers for Windows 3.1/95/98/NT 4.0 (all DesignJets), and toolbox software for Windows 95/NT 4.0 (Only for DesignJet 430/450C/455CA/1050C/1055CM) - On 3.5-inch 1.44MB floppy disks (English)
C6072-60284	Toolbox and driver software - HP-GL/2 and RTL drivers for Windows 3.1/95/98/NT 4.0 (all DesignJets), and toolbox software for Windows 95/NT 4.0 (Only for DesignJet 430/450C/455CA/1050C/1055CM) - On 3.5-inch 1.44MB floppy disks (German)
C6072-60285	Toolbox and driver software - HP-GL/2 and RTL drivers for Windows 3.1/95/98/NT 4.0 (all DesignJets), and toolbox software for Windows 95/NT 4.0 (Only for DesignJet 430/450C/455CA/1050C/1055CM) - On 3.5-inch 1.44MB floppy disks (French)





## Other Accessories

### Software

C6072-60286	Toolbox and driver software - HP-GL/2 and RTL drivers for Windows 3.1/95/98/NT 4.0 (all DesignJets), and toolbox software for Windows 95/NT 4.0 (Only for DesignJet 430/450C/455CA/1050C/1055CM) - On 3.5-inch 1.44MB floppy disks (Spanish)
C6072-60287	Toolbox and driver software - HP-GL/2 and RTL drivers for Windows 3.1/95/98/NT 4.0 (all DesignJets), and toolbox software for Windows 95/NT 4.0 (Only for DesignJet 430/450C/455CA/1050C/1055CM) - On 3.5-inch 1.44MB floppy disks (Italian)
C6072-60301	HP-GL/2 driver software for AutoCAD - For DOS and Windows 3.1/95/NT 4.0 - On 3.5-inch 1.44MB floppy disks (English)
C6072-60304	HP-GL/2 driver software for AutoCAD - For DOS and Windows 3.1/95/NT 4.0 - On 3.5-inch 1.44MB floppy disks (German)
C6072-60305	HP-GL/2 driver software for AutoCAD - For DOS and Windows 3.1/95/NT 4.0 - On 3.5-inch 1.44MB floppy disks (French)
C6072-60306	HP-GL/2 driver software for AutoCAD - For DOS and Windows 3.1/95/NT 4.0 - On 3.5-inch 1.44MB floppy disks (Spanish)
C6072-60307	HP-GL/2 driver software for AutoCAD - For DOS and Windows 3.1/95/NT 4.0 - On 3.5-inch 1.44MB floppy disks (Italian)

### Training Kit

C4713-60118	Self-paced training kit for DesignJet 430/450C/455CA/488CA - Includes video in PAL format, and CD-ROM containing user's and service manuals
C4713-60119	Self-paced training kit for DesignJet 430/450C/455CA/488CA - Includes video in NTSC format, and CD-ROM containing user's and service manuals

## Other External Parts

### Clip

C4699-60072	Cable clip
-------------	------------

### Cover

130	C4713-00011	SIMM cover plate
131	C4713-40029	Left end cover
132	C4713-60030	Right end cover
133	C4714-60014	Top cover assembly (E-size)
134	C4714-60097	Back cover assembly (E-size)

### Deflector

135	C4713-60117	Media deflector with media button - The media deflector furthest to the right side - Includes media load button
-----	-------------	-----------------------------------------------------------------------------------------------------------------

### Guide

136	C4713-60184	Rollfeed guide kit - Left and right guides mounted under printer - Used to attach rollfeed housings to the printer
-----	-------------	--------------------------------------------------------------------------------------------------------------------

### Holder

C3190-40052	Holder - For quick reference guide
-------------	------------------------------------

### Keycap

138	C4713-40046	Power switch button/keycap
-----	-------------	----------------------------

### Label

5961-3524	Serial number label
C4705-00017	Instruction label

### Nameplate/Logo

C6080-00001	Nameplate - DesignJet 455CA
-------------	-----------------------------

### Overlay

C4713-60171	Front panel overlay (Self adhesive) - Shows the function of the front panel buttons and indicator lights (English)
C4713-60172	Front panel overlay (Self adhesive) - Shows the function of the front panel buttons and indicator lights (Korean)
C4713-60173	Front panel overlay (Self adhesive) - Shows the function of the front panel buttons and indicator lights (Taiwanese)
C4713-60174	Front panel overlay (Self adhesive) - Shows the function of the front panel buttons and indicator lights (German)



## Other External Parts

### Overlay

C4713-60175	Front panel overlay (Self adhesive) - Shows the function of the front panel buttons and indicator lights (French)
C4713-60176	Front panel overlay (Self adhesive) - Shows the function of the front panel buttons and indicator lights (Spanish)
C4713-60177	Front panel overlay (Self adhesive) - Shows the function of the front panel buttons and indicator lights (Italian)
C4713-60178	Front panel overlay (Self adhesive) - Shows the function of the front panel buttons and indicator lights (Japanese)
C4713-60179	Front panel overlay (Self adhesive) - Shows the function of the front panel buttons and indicator lights (Portuguese)
C4713-60180	Front panel overlay (Self adhesive) - Shows the function of the front panel buttons and indicator lights (Chinese)

### Platen

152	C4714-60114	Entry Platen Assembly (E-size) - Curved cover/guide that is next to the paper drive (Platen) roller
-----	-------------	-----------------------------------------------------------------------------------------------------

## Other Internal Parts

### Cutter

153	C4713-60040	Cutter assembly - Mounts on carriage slide rod to the right of the carriage
-----	-------------	-----------------------------------------------------------------------------

### Primer

154	C4713-60023	Primer assembly - Mounted on left side of plotter
-----	-------------	---------------------------------------------------

### Service Station

155	C3190-60142	Service station assembly
-----	-------------	--------------------------

### Spittoon

156	C4713-60017	Spittoon assembly - Contains absorbers which hold excess ink from cartridges
-----	-------------	------------------------------------------------------------------------------

### Trim

157	C4713-40022	Right trim assembly - At right of entry platen
158	C4713-40023	Left trim assembly - At left of entry platen

## Paper Drive Parts

### Cable

218	C3180-60012	Ribbon cable - Has 5 pin (F) connectors - 16.3cm (6.4 inches) long
-----	-------------	--------------------------------------------------------------------

### Lubricant

219	C3190-60155	Grease - For helical gear (Drive roller gear)
-----	-------------	-----------------------------------------------

### Motor/Gear

220	C4713-60094	Paper (X-axis) drive motor (Includes helical drive gear) - NOTE: motor and gear are only sold as an assembly
-----	-------------	--------------------------------------------------------------------------------------------------------------

### Roller

221	C4700-60042	Paper drive (Platen) roller assembly - Long gear driven roller - Includes roller and mark encoder
-----	-------------	---------------------------------------------------------------------------------------------------

## Paper and Other Media

### Film (Clear)

C3876A	Clear film (4 mil) - 61cm (24in) x 22.9m (75ft) roll
C3875A	Clear film (4 mil) - 91.4cm (36in) x 22.9m (75ft) roll

### Film (Glossy)

C1829A	High-gloss white film - A1 size (59.4cm x 84.1cm) - 125 sheets NO LONGER SUPPLIED
C1827A	High-gloss white film - Architectural D size (24 x 36-inches) - 100 sheets NO LONGER SUPPLIED
C3886A	High gloss white film (4 mil) - 61cm (24in) x 30.5m (100ft) roll
C1828A	High-gloss white film - A0 size (84.1cm x 118.9cm) - 125 sheets NO LONGER SUPPLIED
C1826A	High-gloss white film - Architectural E size (36 x 48-inches) - 100 sheets NO LONGER SUPPLIED
C3885A	<i>New Part for C1826A</i>



Paper and Other Media

Film (Glossy)

C3885A High gloss white film (4 mil) - 91.4cm (36in) x 30.5m (100ft) roll

Film (Matte)

51642C Polyester matte film - B size (11 x 17-inches) - 40 sheets  
NO LONGER SUPPLIED

51642A *New Part for 51642C*

51642F Polyester matte film - A3 size (29.7cm x 42.0cm) - 40 sheets  
NO LONGER SUPPLIED

51642G Polyester matte film - D size (22 x 34-inches) - 40 sheets  
NO LONGER SUPPLIED

51642A *New Part for 51642G*

51642H Polyester matte film - A1 size (59.4cm x 84.1cm) - 40 sheets  
NO LONGER SUPPLIED

51642A Polyester matte film - 61cm (24in) x 36.6m (120ft) roll

51642J Polyester matte film - Architectural D size (24 x 36-inches) - 40 sheets  
NO LONGER SUPPLIED

51642A *New Part for 51642J*

51642M Polyester matte film - A0 size (84.1cm x 118.9cm) - 40 sheets  
NO LONGER SUPPLIED

51642K Polyester matte film - E size (34 x 44-inches) - 40 sheets  
NO LONGER SUPPLIED

51642B Polyester matte film - 91.4cm (36in) x 36.6m (120ft) roll

51642N Polyester matte film - Architectural E size (36 x 48-inches) - 40 sheets  
NO LONGER SUPPLIED

Paper (Bright White)

C6810A Bright white InkJet paper - 91.4cm (36in) x 91.4m (300ft) roll

C1860A Bright white InkJet paper - 61cm (24in) x 45.7m (150ft) roll

C6035A Bright white InkJet paper - 61cm (24in) x 45.7m (150ft) roll

C1861A Bright white InkJet paper - 91.4cm (36in) x 45.7m (150ft) roll

C6036A Bright white InkJet paper - 91.4cm (36in) x 45.7m (150ft) roll

Paper (Coated)

C8281A Basic Coated Paper - 61cm (24in) x 45.7m (150ft) (USA and Asia/Pacific)

C8282A Basic Coated Paper - 91.4cm (36in) x 45.7m (150ft) roll (USA and Asia/Pacific)

C1831A Coated paper - D size (22 x 34-inches) - 100 sheets  
NO LONGER SUPPLIED

C1835A Coated paper - A1 size (59.4cm x 84.1cm) - 125 sheets  
NO LONGER SUPPLIED

C1833A Coated paper - Architectural D size (24 x 36-inches) - 100 sheets  
NO LONGER SUPPLIED

C3880A Heavyweight coated paper (6 mil) - 61cm (24in) x 30.5m (100ft) roll  
NO LONGER SUPPLIED

C6019B Coated paper (98 gsm) - 61cm (24in) x 45.7m (150ft) roll (USA, Canada, and Latin America)

C6021B Heavyweight coated paper - 61cm (24in) x 30.5m (100ft) roll (USA, Canada, and Latin America)  
NO LONGER SUPPLIED

C6029B Heavyweight coated paper - 61cm (24in) x 30.5m (100ft) roll (Europe, Asia/Pacific, and Japan)  
NO LONGER SUPPLIED

C6029C Heavyweight coated paper - 61cm (24in) x 30.5m (100ft) roll - For regular or UV resistant ink

C1834A Coated paper - A0 size (84.1cm x 118.9cm) - 125 sheets  
NO LONGER SUPPLIED





## Paper and Other Media

### Paper (Coated)

C1830A	Coated paper - E size (34 x 44-inches) - 100 sheets NO LONGER SUPPLIED
C1832A	Coated paper - Architectural E size (36 x 48-inches) - 100 sheets NO LONGER SUPPLIED
C3879A	Heavyweight coated paper (6 mil) - 91.4cm (36in) x 30.5m (100ft) roll NO LONGER SUPPLIED
C6020B	Coated paper (98 gsm) - 91.4cm (36in) x 45.7m (150ft) roll (USA, Canada, and Latin America)
C6022B	Heavyweight coated paper - 91.4cm (36in) x 30.5m (100ft) roll (USA, Canada, and Latin America) NO LONGER SUPPLIED
C6030B	Heavyweight coated paper - 91.4cm (36in) x 30.5m (100ft) roll (Europe, Asia/Pacific, and Japan) NO LONGER SUPPLIED
C6030C	Heavyweight coated paper - 91.4cm (36in) x 30.5m (100ft) roll - For regular or UV resistant ink

### Paper (Glossy)

C3882A	High gloss photo paper - 61cm (24in) x 30.5m (100ft) roll
C3881A	High gloss photo paper - 91.4cm (36in) x 30.5m (100ft) roll

### Paper (Tracing)

C3869A	Natural tracing paper - 61cm (24in) x 45.7m (150ft) roll
C3868A	Natural tracing paper - 91.4cm (36in) x 45.7m (150ft) roll

### Paper (Translucent)

C3891A	Translucent bond paper - D size (22 x 34-inches) - 100 sheets NO LONGER SUPPLIED
C3893A	Translucent bond paper - A1 size (59.4cm x 84.1cm) - 125 sheets NO LONGER SUPPLIED
C3860A	Translucent bond paper - 61cm (24in) x 45.7m (150ft) roll
C3896A	Translucent bond paper - Architectural D size (24 x 36-inches) - 100 sheets NO LONGER SUPPLIED
C3892A	Translucent bond paper - A0 size (84.1cm x 118.9cm) - 125 sheets NO LONGER SUPPLIED
C3890A	Translucent bond paper - E size (34 x 44-inches) - 100 sheets NO LONGER SUPPLIED
C3859A	Translucent bond paper - 91.4cm (36in) x 45.7m (150ft) roll
C3894A	Translucent bond paper - Architectural E size (36 x 48-inches) - 100 sheets NO LONGER SUPPLIED

### Vellum

C3864A	Vellum (75 gsm) - D size (22 x 34-inches), 20 lb, 3.0 mil - 100 sheets NO LONGER SUPPLIED
C3862A	Vellum - 61cm (24in) x 45.7m (150ft) roll
C3866A	Vellum (75 gsm) - Architectural D size (24 x 36-inches), 20 lb, 3.0 mil - 100 sheets NO LONGER SUPPLIED
C3862A	<i>New Part for C3866A</i>
C3863A	Vellum (75 gsm) - E size (34 x 44-inches) 20 lb, 3.0 mil - 100 sheets NO LONGER SUPPLIED
C3861A	Vellum - 91.4cm (36in) x 45.7m (150ft) roll
C3865A	Vellum (75 gsm) - Architectural E size (36 x 48-inches), 20 lb, 3.0 mil - 100 sheets NO LONGER SUPPLIED



## Pincharm Assembly Parts

### Bushing

222 C1633-40082 Pincharm spring retaining bushing

### Cam

223 C1633-20012 Pinch arm bar cam (E-size) - Long rod from left to right side of printer - Used to lift the pinch arms

224 C3190-60149 Left cam journal - Mounted on left end of pincharm shaft

### Handle

225 C4713-40025 Pinchwheel manual lift handle - Paper loading lever

### Lever Assembly

226 C4713-60116 Right cam journal assembly - 2 levers and a metal rod

### Pincharm

227 C4699-60081 Pincharm assembly - Curved black plastic plate with 4 small rubber rollers (Does NOT include spring or bushing)

### Sensor

228 C4713-60034 Pincharm sensor assembly

### Spring

229 C1633-80005 Compression spring between pincharm assembly and bushing

230 C4713-80003 Pincharm spring

## Roll Feed Assembly Parts

### End Cap

C3174-40011 Spindle end cap (2in)

### Extension

232 C4713-60038 Media extension kit - Includes 3 extensions

### Guide

233 C4713-60184 Rollfeed guide kit - Left and right guides mounted under printer - Used to attach rollfeed housings to the printer

### Hub

C4713-60120 Spindle hub kit, small size - Includes 2 small hubs and install guide - (China)

### Rollfeed Kit

235 C4719A E/A0 rollfeed kit - Includes left and right housing, hubs, spindle, end caps, screwdriver, and screws

### Spindle

236 C4719-60005 E/A0 rollfeed spindle rod assembly - Includes spindle, hubs, and end caps

### Spindle Kit

C6239A E/A0 rollfeed spindle rod assembly for DesignJet 4xx Series - Includes spindle, hubs, and end caps

## Stand Parts

### Bin

238 C4704-60073 Media bin arm (Loop assembly)

C4713-60147 New Part for C4704-60073

### Cross-Brace

239 C4704-60077 Cross-brace (E-size) - Main structure that extends between stand legs

### Foot

240 C4704-60086 Foot assembly (includes casters)

### Hardware Kit

241 C4704-60095 Hardware kit for printer stand - Includes screwdriver, screws, washers, and media bin retaining clips

### Leg

242 C4704-60075 Leg assembly - Side support for the plotter - Does NOT include the foot assembly



### Stand Parts

#### Stand

C6070A HP DesignJet Stand (D/A1) - Includes legs, casters, brace, wire form paper deflector, and media bin - For E/A0 size DesignJets

#### Strip

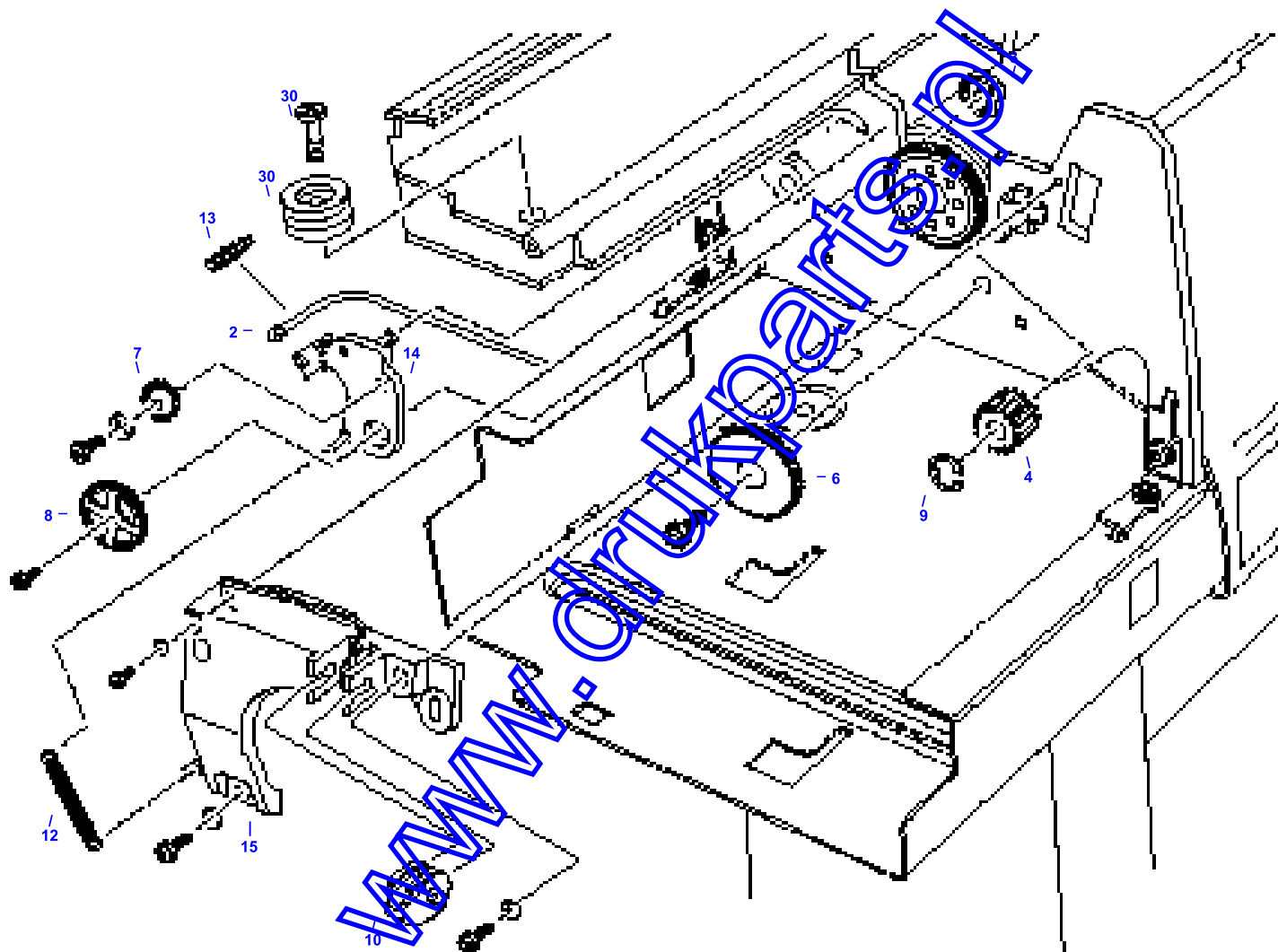
244 C4704-40070 Capping strips ( E-size) - Two strips that snap together on the ends of the bin arms

#### Support

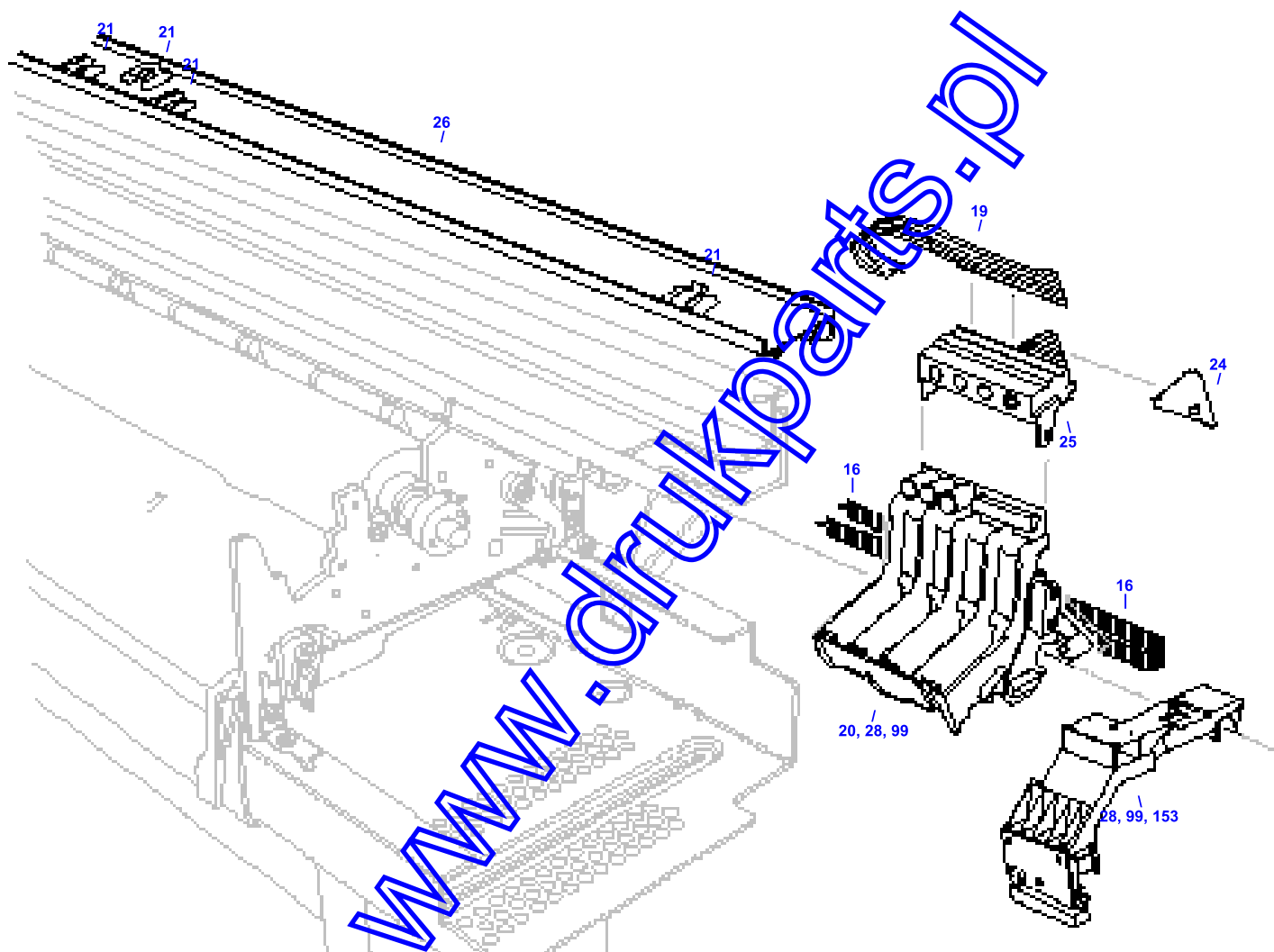
245 C4714-60147 Media bin support (E-size) - Supports media bin arms

[www.drukparts.pl](http://www.drukparts.pl)

Bail Mechanism, Overdrive Mechanism

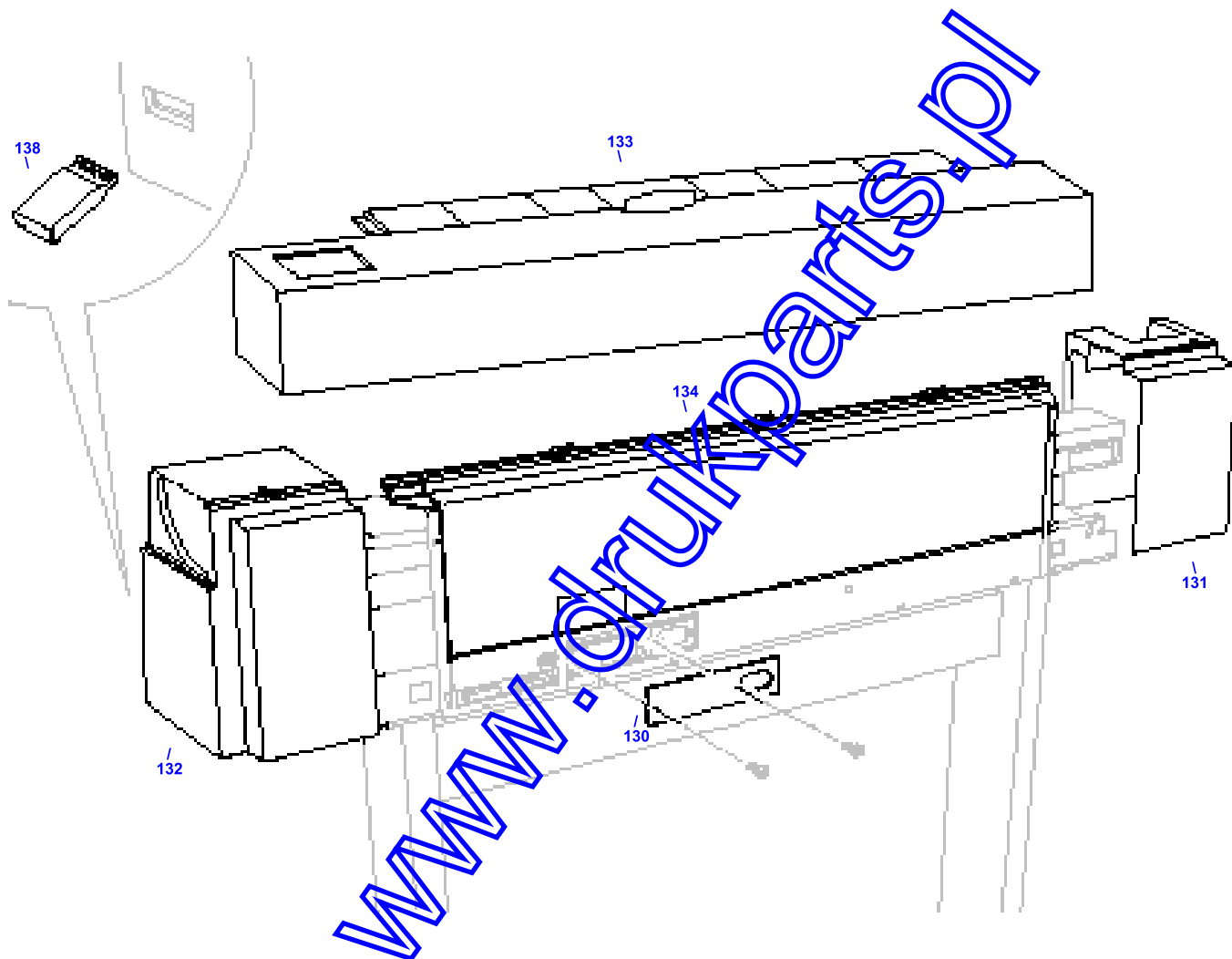


Carriage Assembly, Cutter Assembly, Trailing Cable

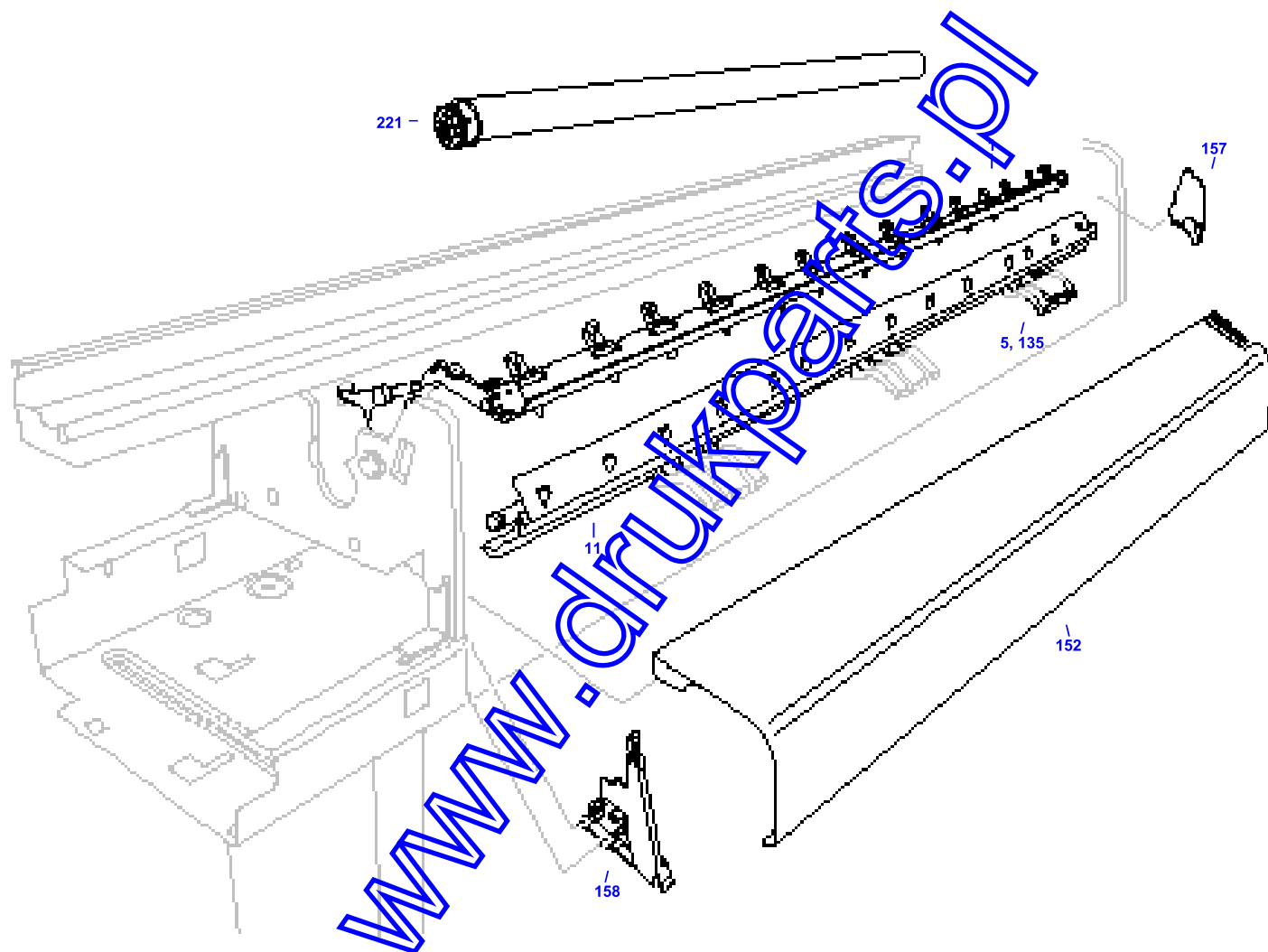




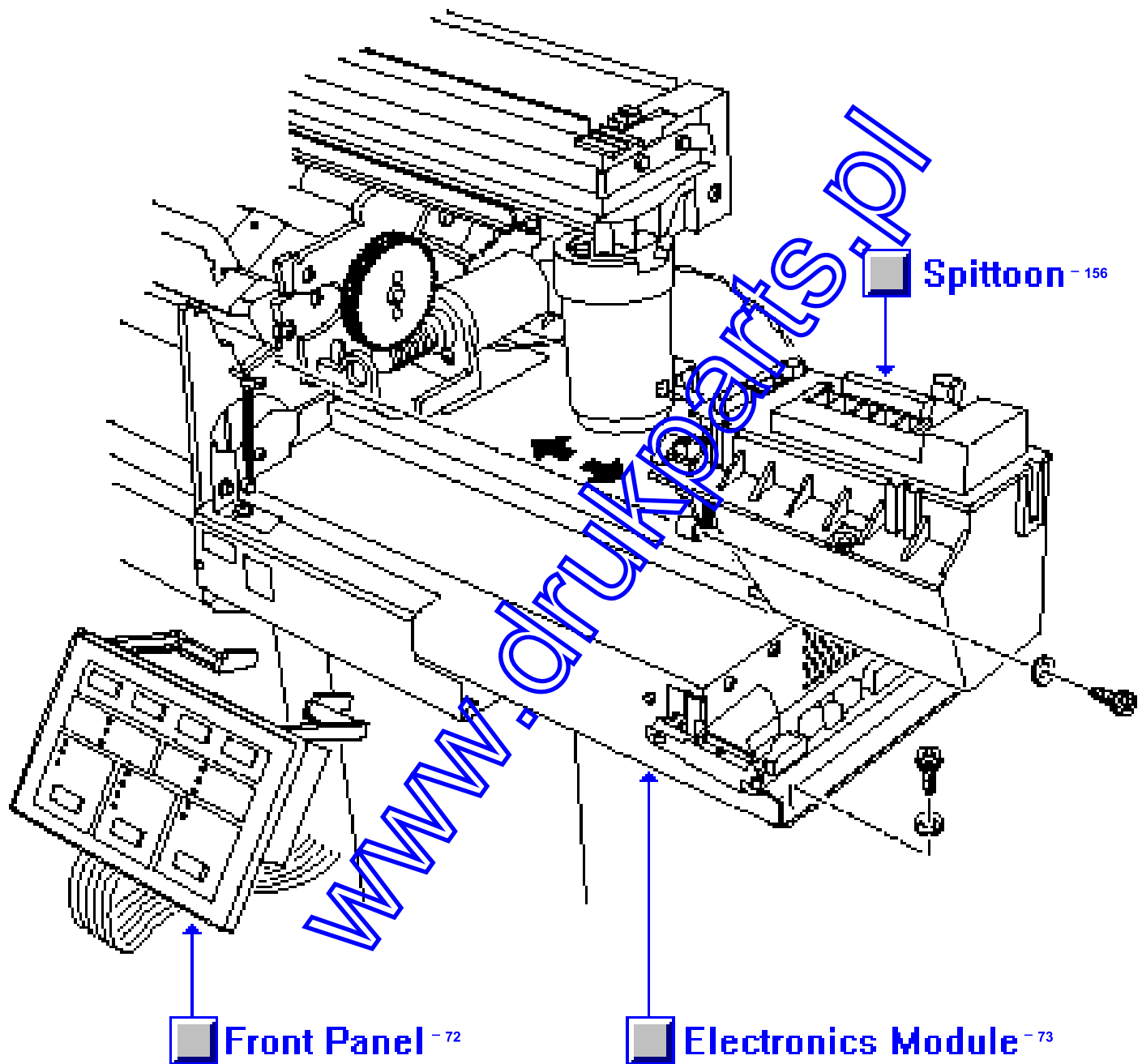
Covers



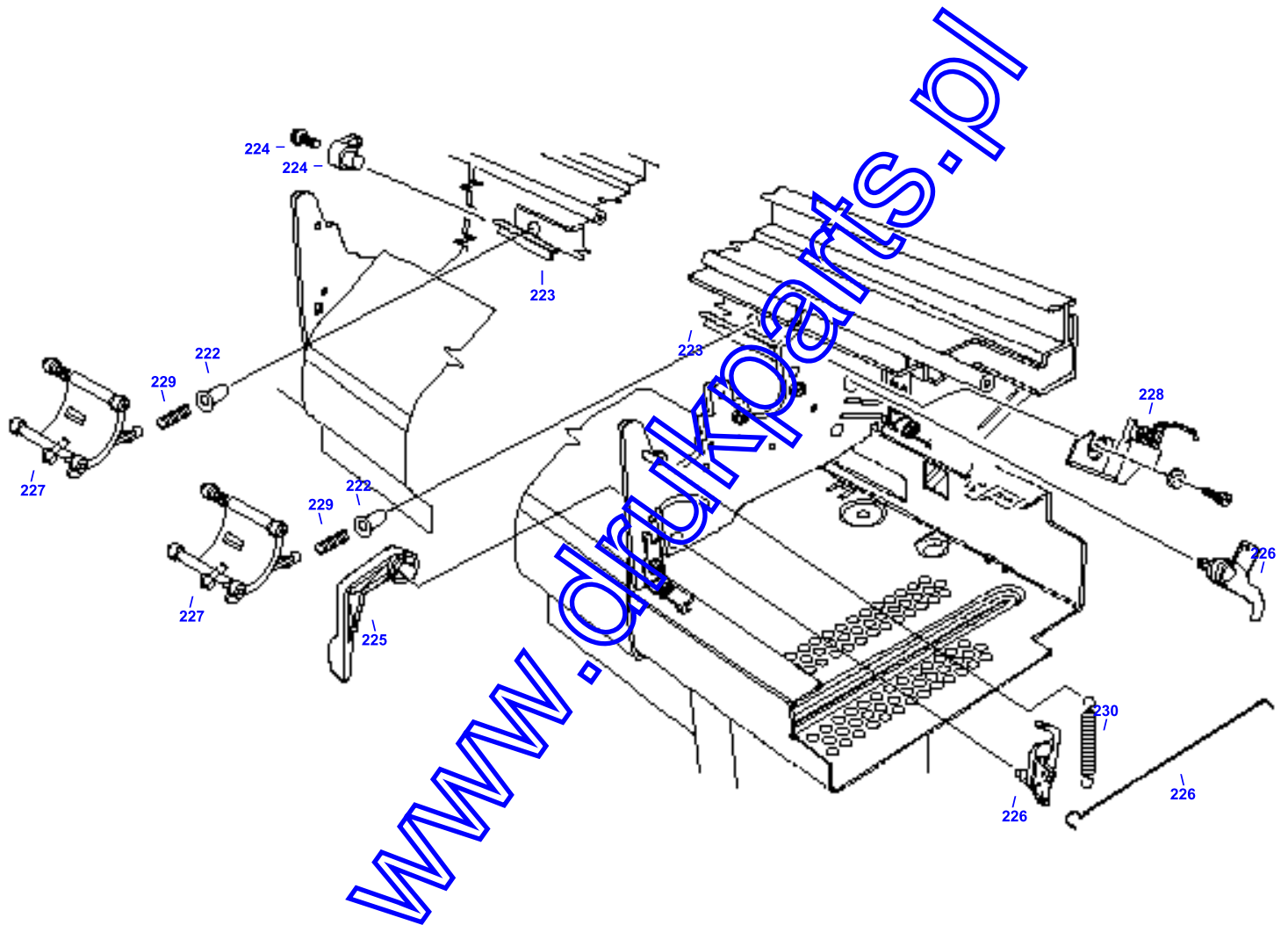
Entry Platen, Drive Roller, Bail Assy, Overdrive Assy



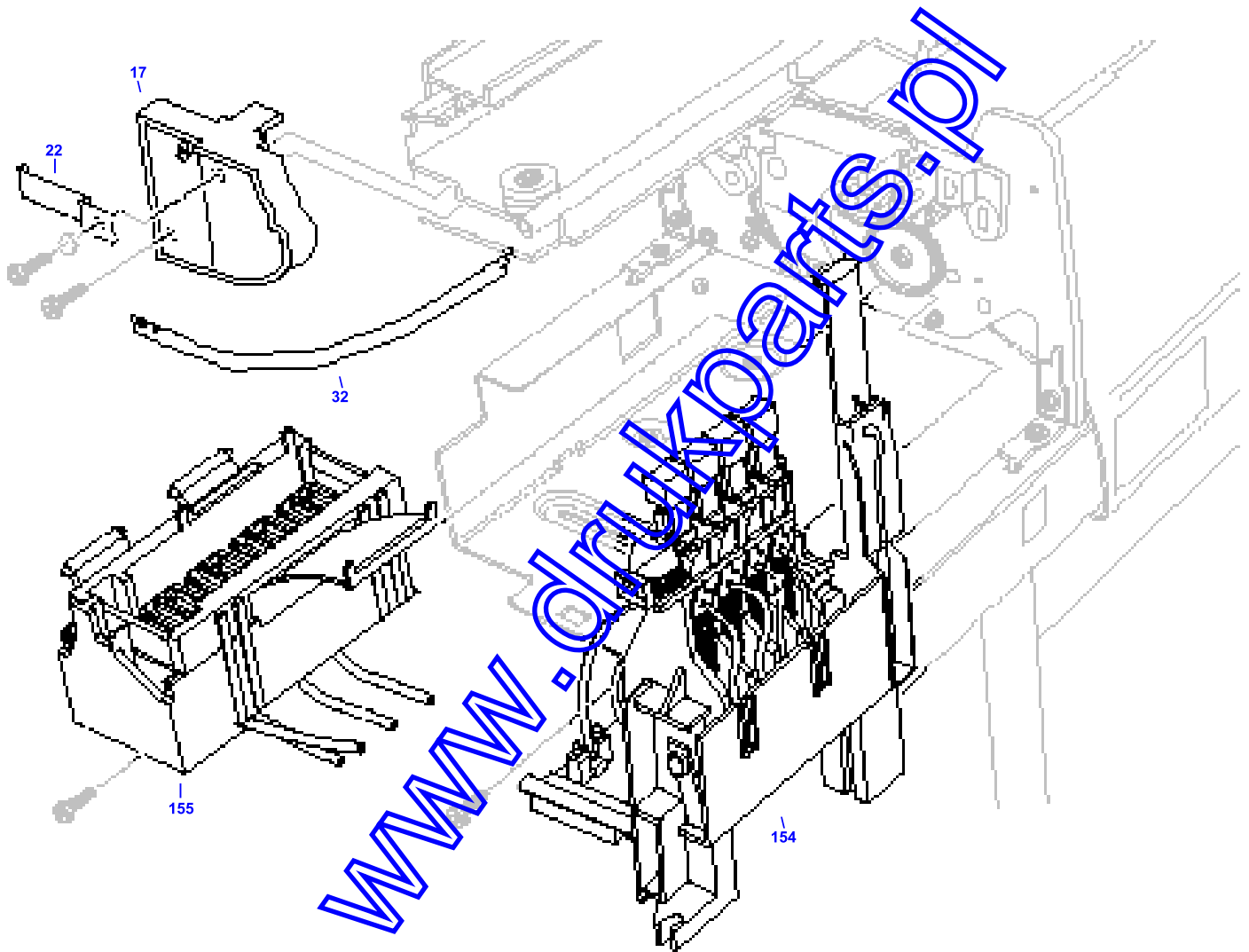
Front Panel, Electronics Module, Spittoon



Pincharm Assembly

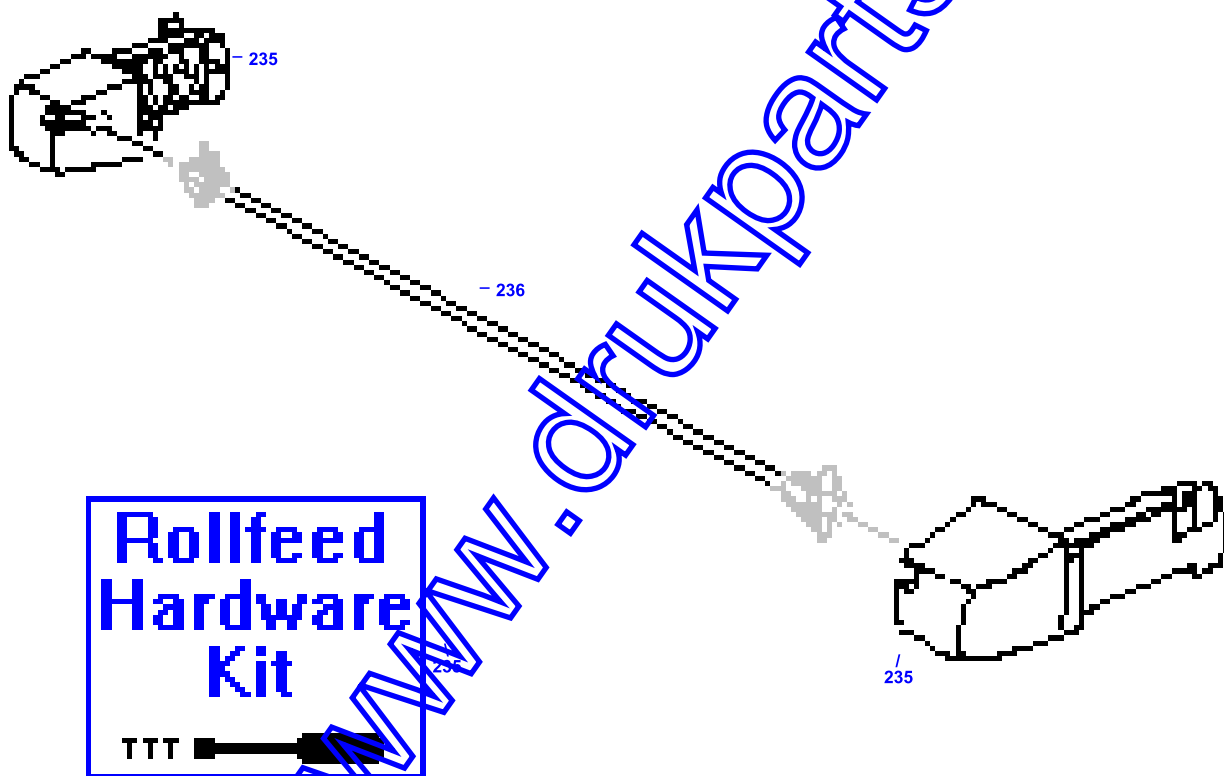


Primer Assembly, Service Station Assembly



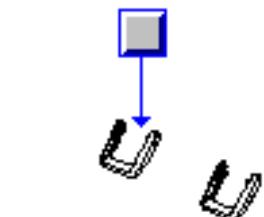


Rollfeed Assembly

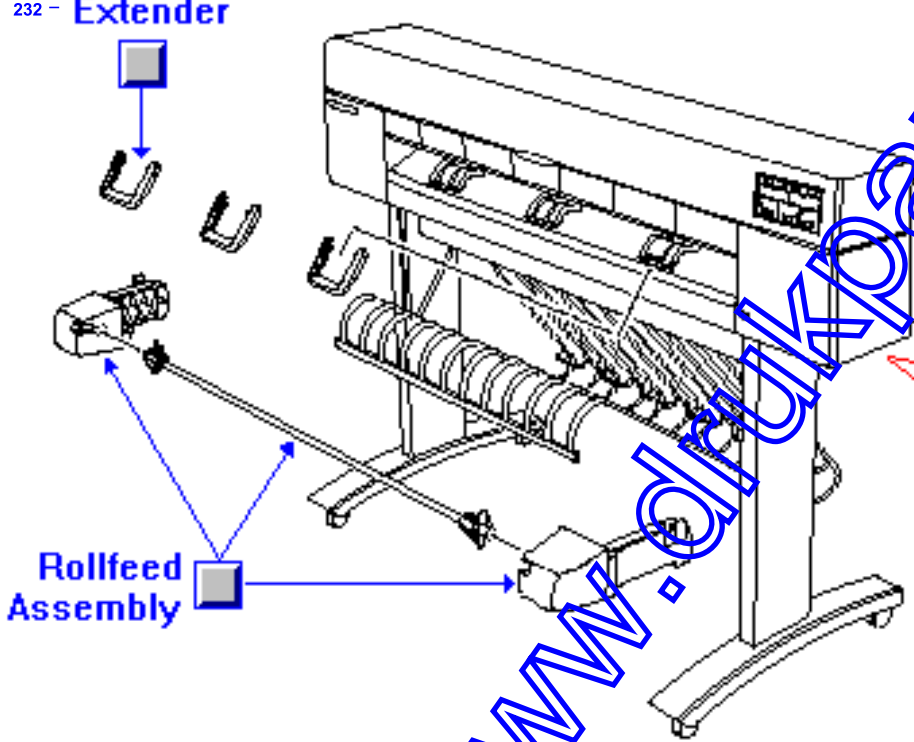


Rollfeed Assembly and Media Extenders

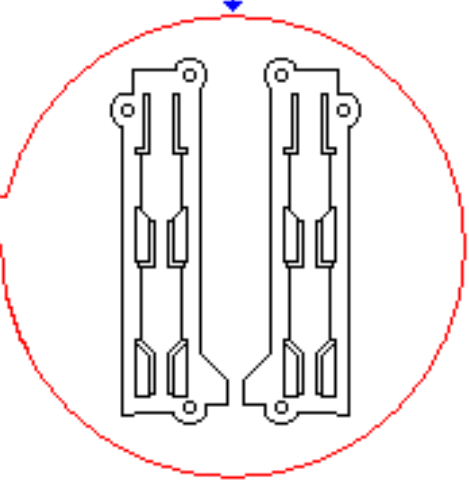
232 - Extender



Rollfeed Assembly

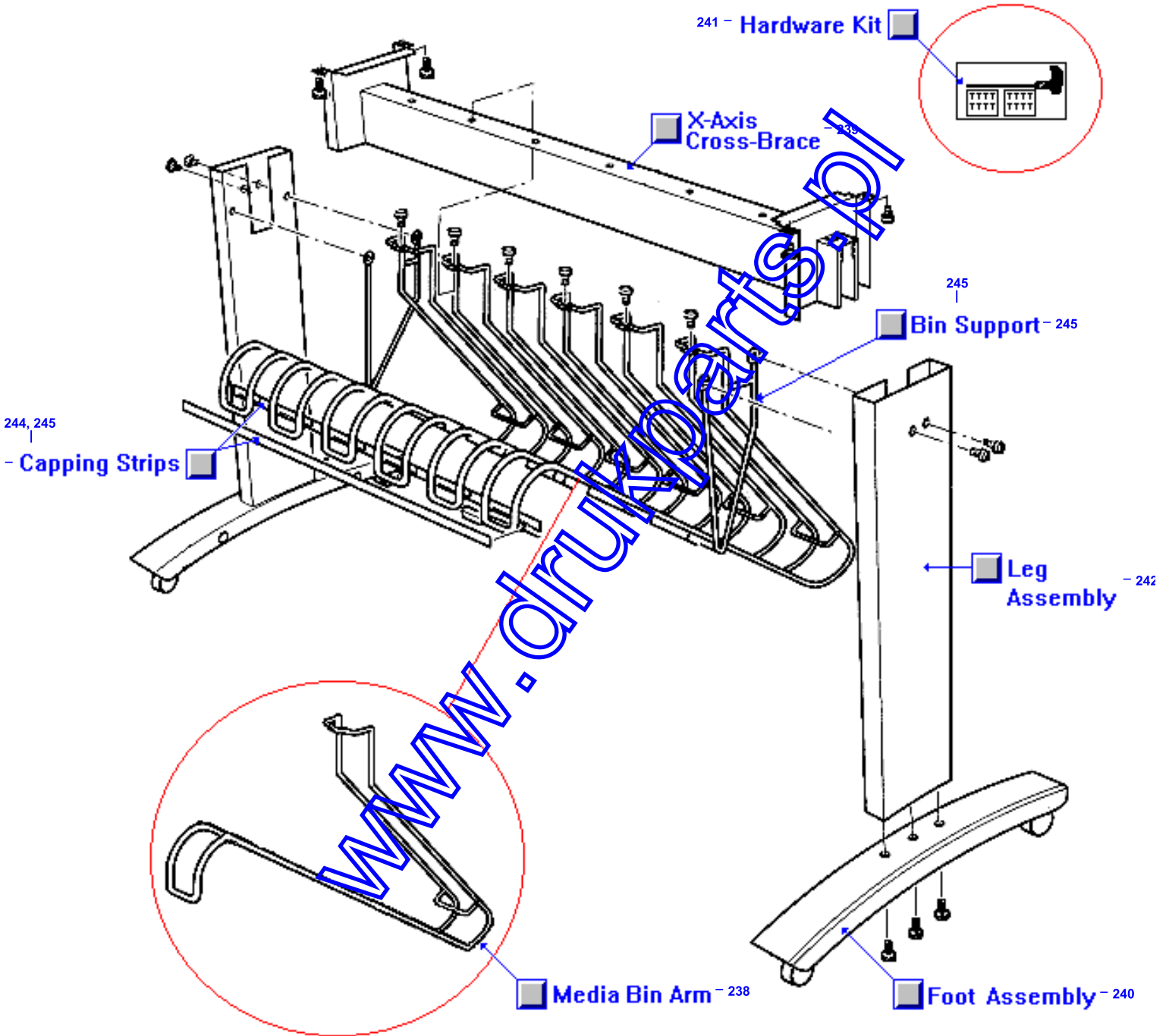


186, 233 - Rollfeed Guide

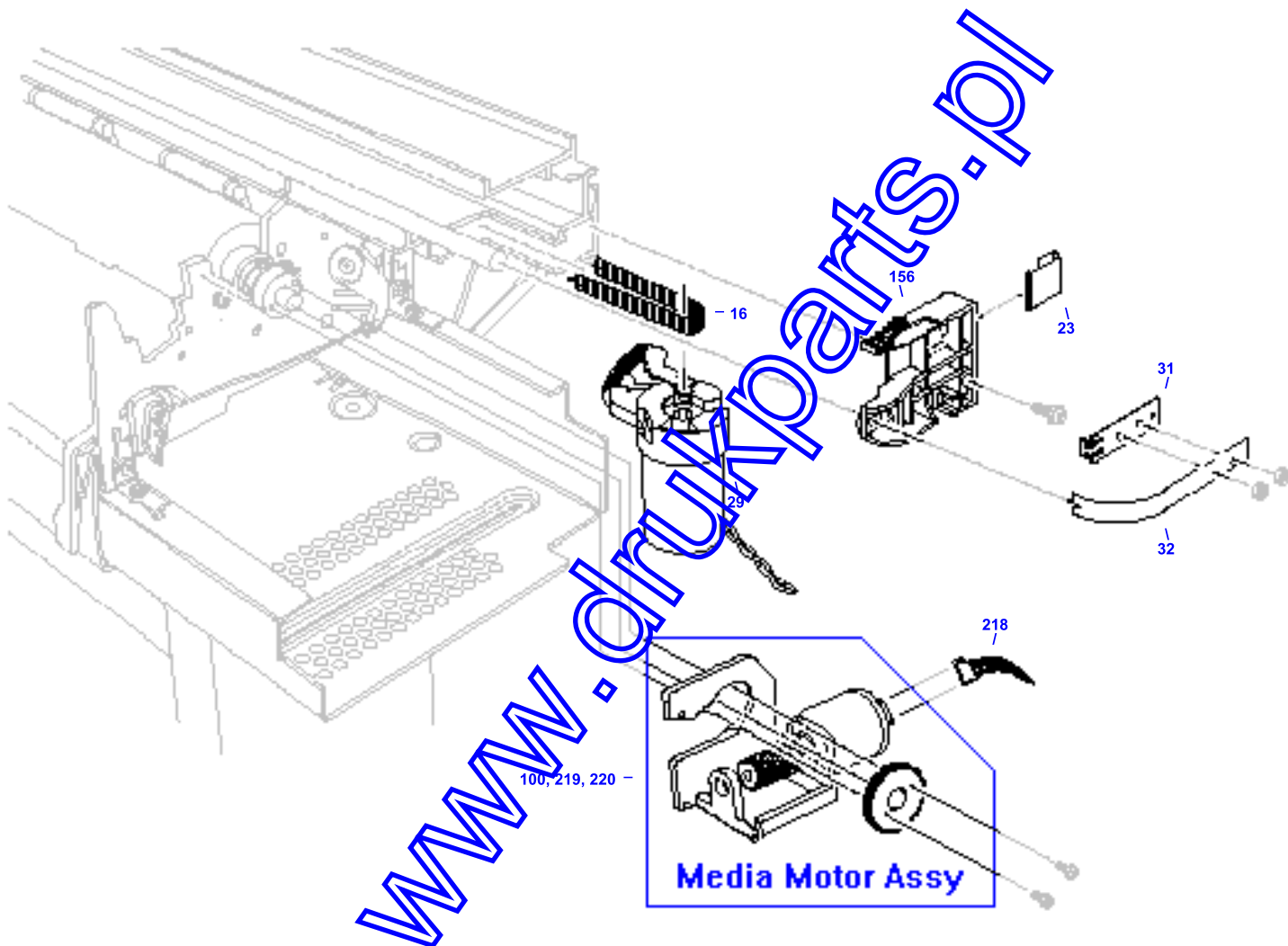


www.drukparts.pl

Stand Assembly



X and Y Axis Motors, Encoder Strip





**HP Parts Reference Guide**

<http://www.hp.com/go/parts>

**HP PartSurfer**

<http://partsurfer.hp.com>

**HP Parts Ordering Information**

<http://www.hp.com/go/hpparts>

**HP Parts Questions/Comments**

<http://partsurfer.hp.com/contactus.htm>

[www.drukparts.pl](http://www.drukparts.pl)